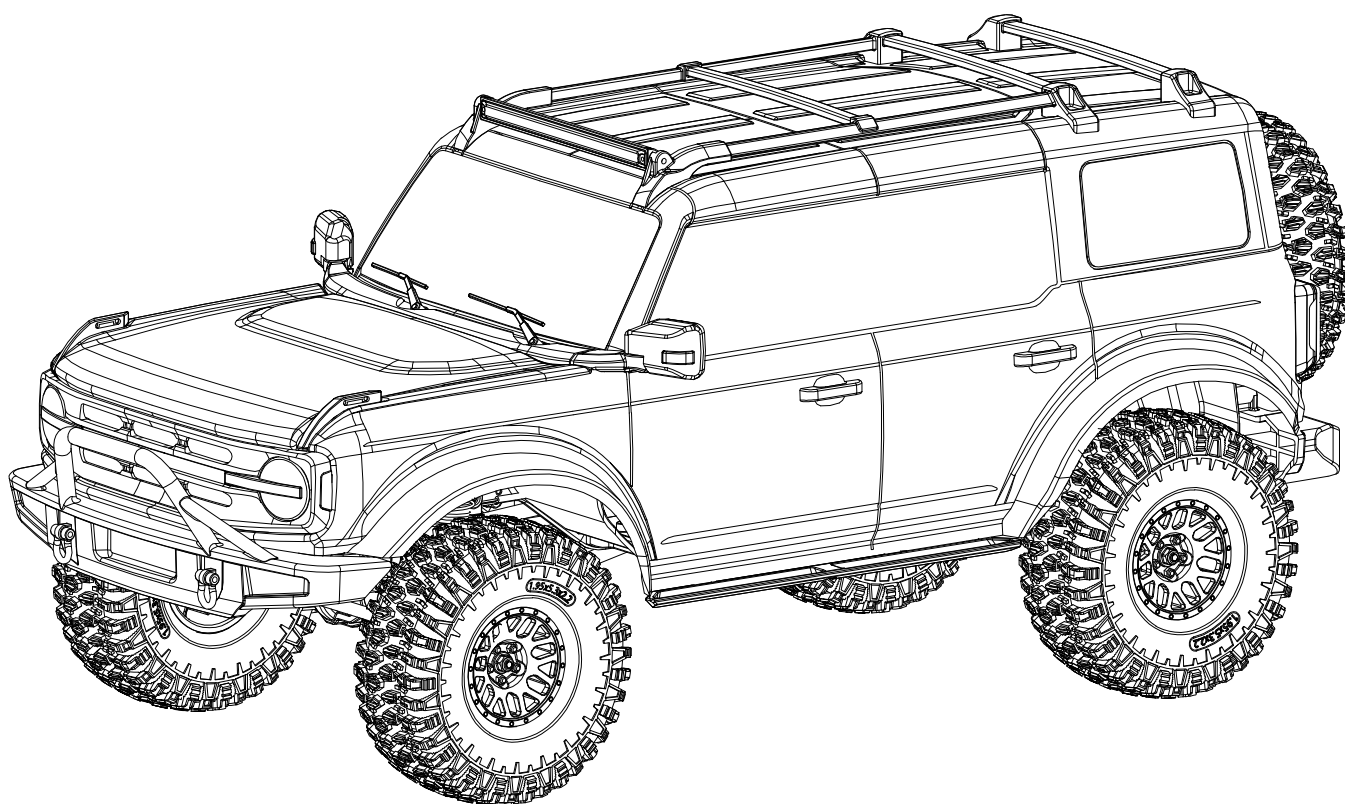


1/8电动四驱攀爬车YK4083

说明书

1/8 SCALE 4WD ROCK CRAWLER YK4083

MANUAL



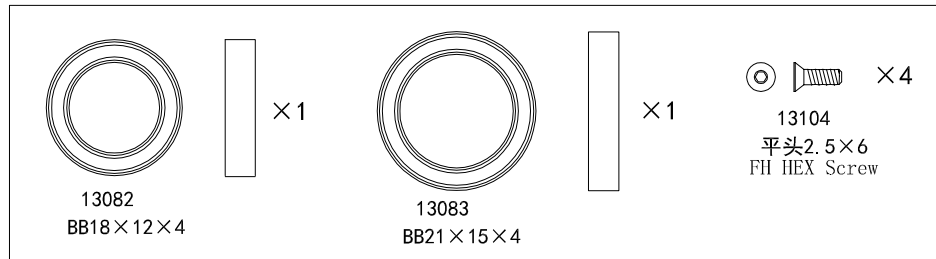
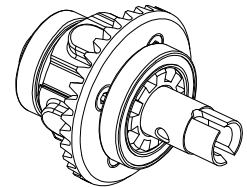
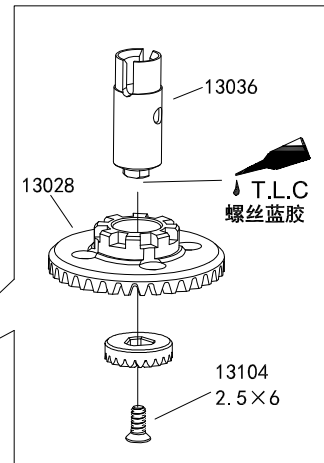
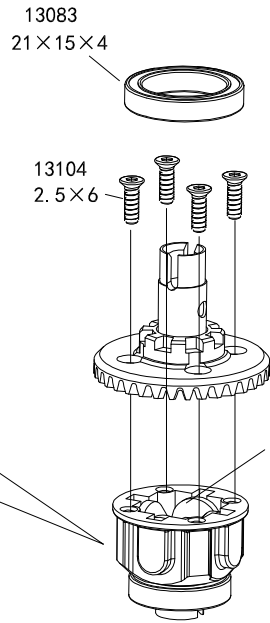
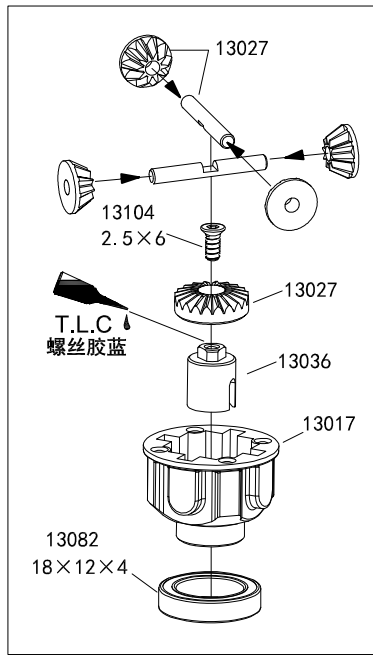
无论您是初学者或专业人士，在开始使用该产品前，请务必先认真阅读说明书，检查完各部件设定正常，以减少不必要的损失
Whether you are a beginner or professional, carefully read the ENTIRE instruction manual and inspect all the components are setting correctly before operating, to avoid unnecessary losses.

目录.....	2
操作说明和注意事项.....	3~5
爆炸图.....	6~23
配件表.....	24~31

Table of Contents.....	2
Instructions and Precautions.....	3~5
Explode Diagram.....	6~23
Parts List.....	24~31

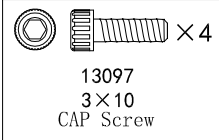
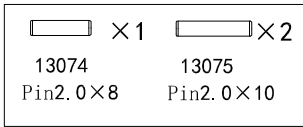
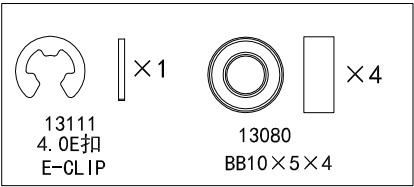
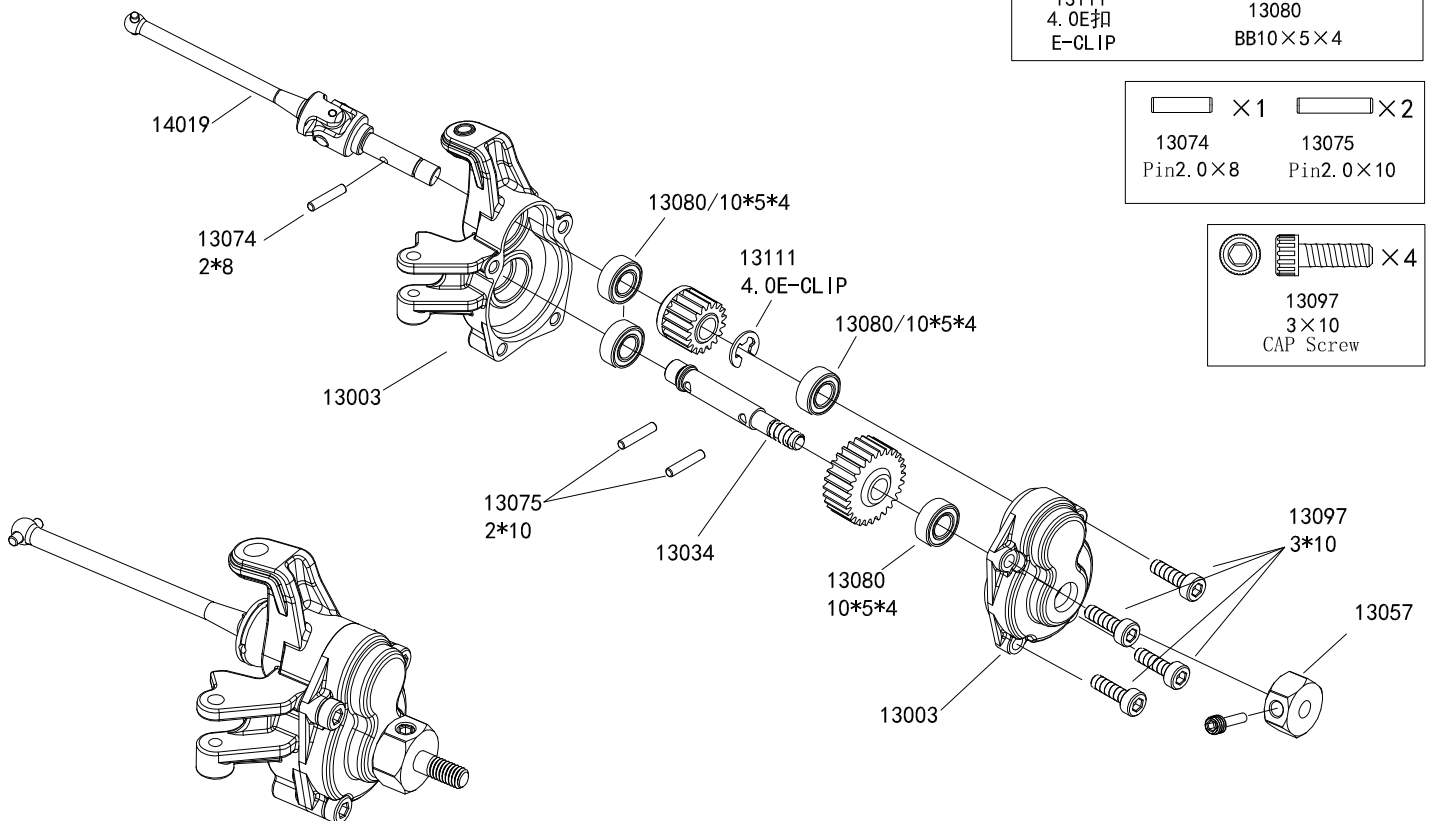
Differential Gear Assembly

差速器组 前/后



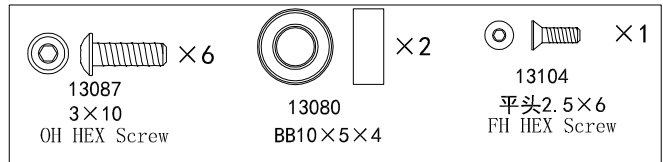
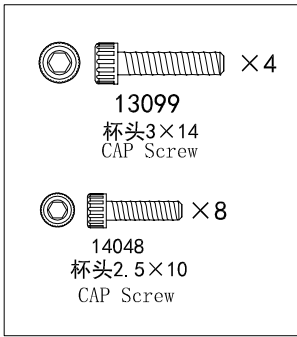
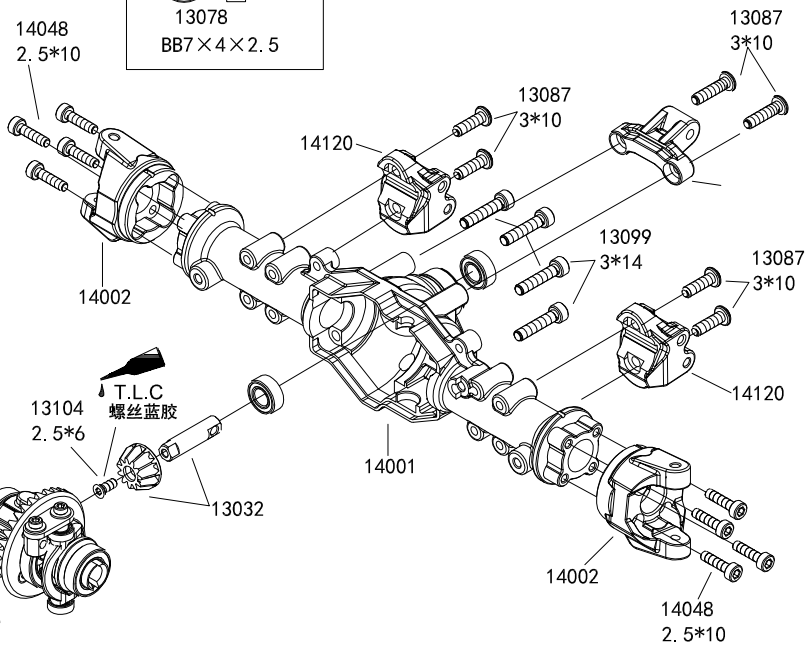
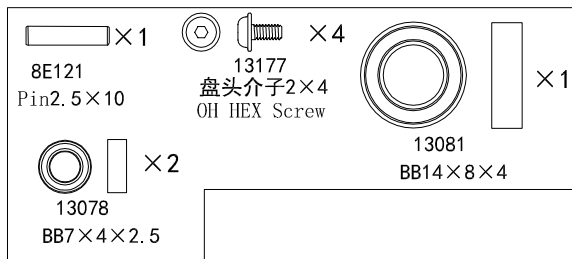
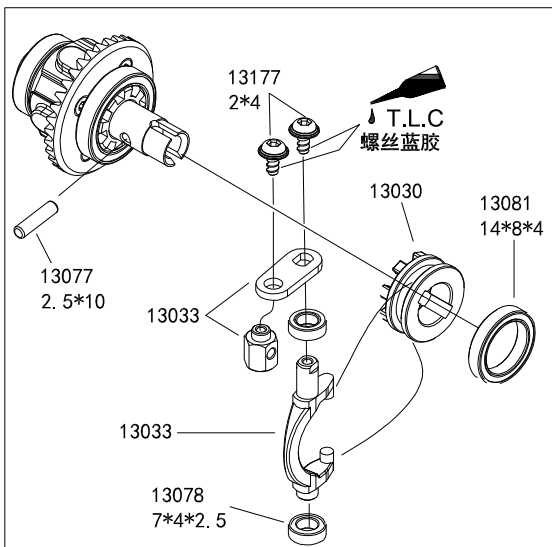
Spindle set

转向臂组 左/右



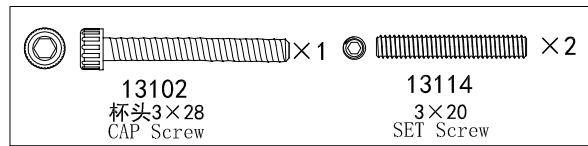
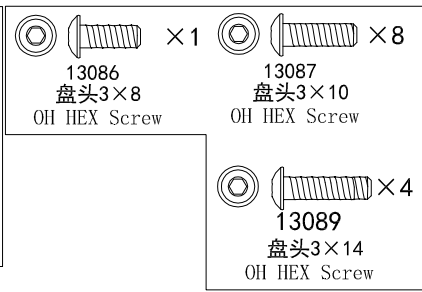
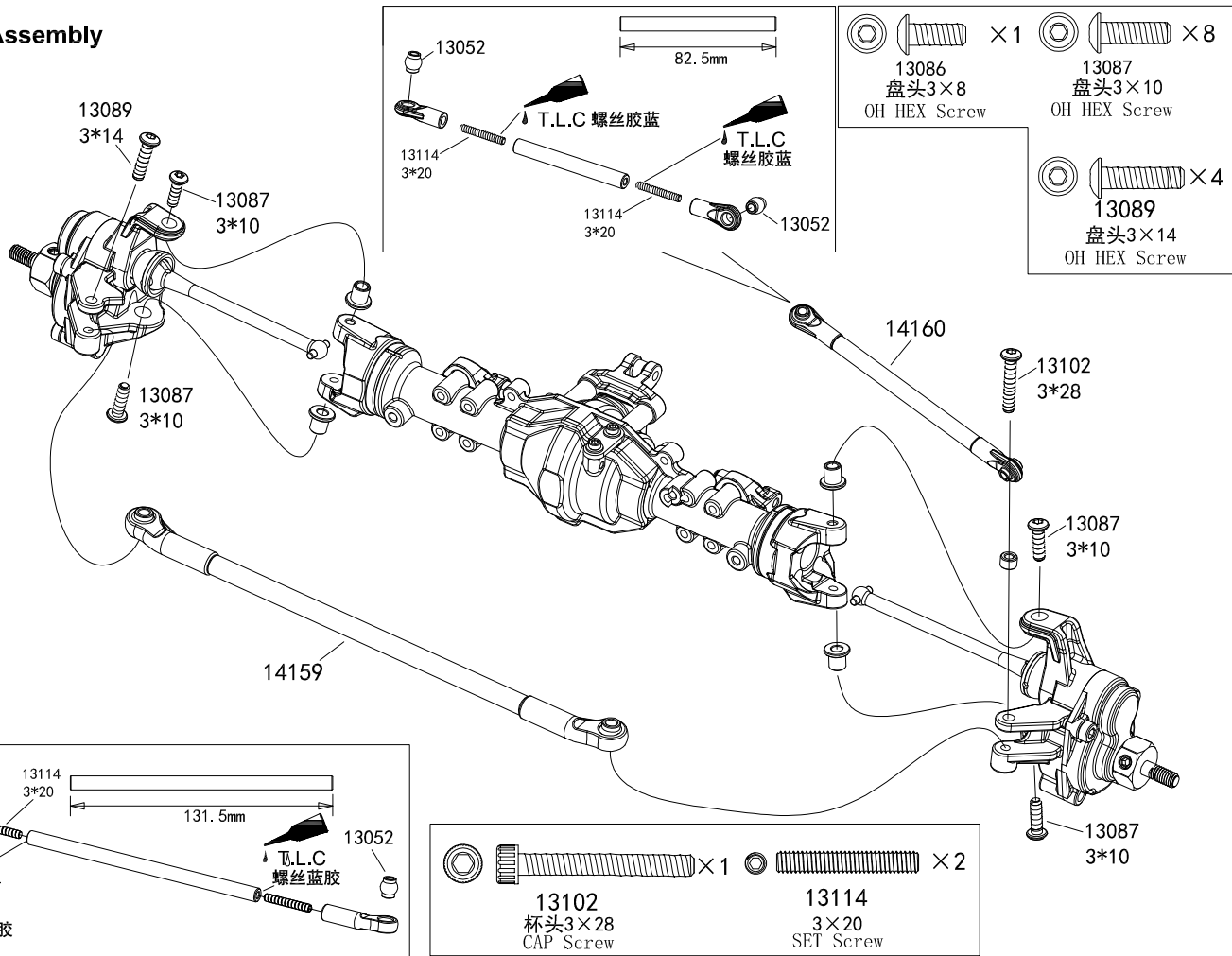
Front Assembly

桥箱组 前



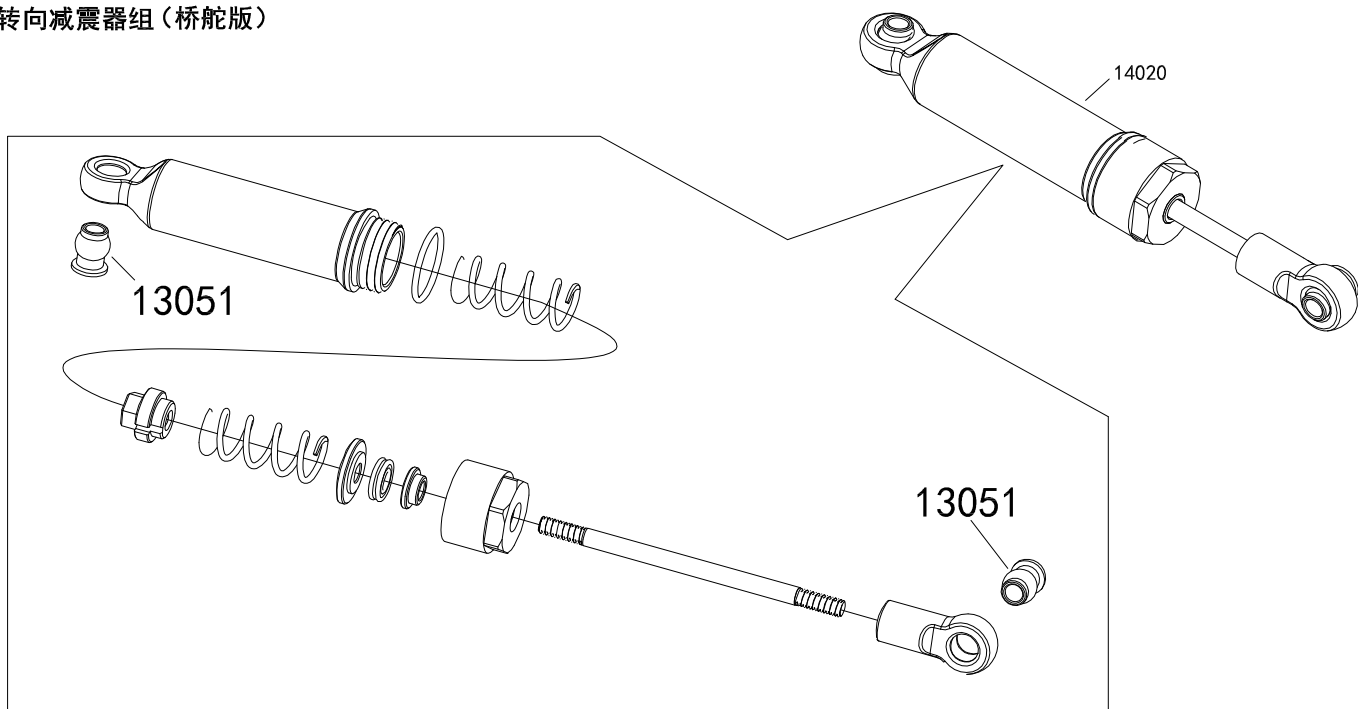
Front Assembly

前桥组



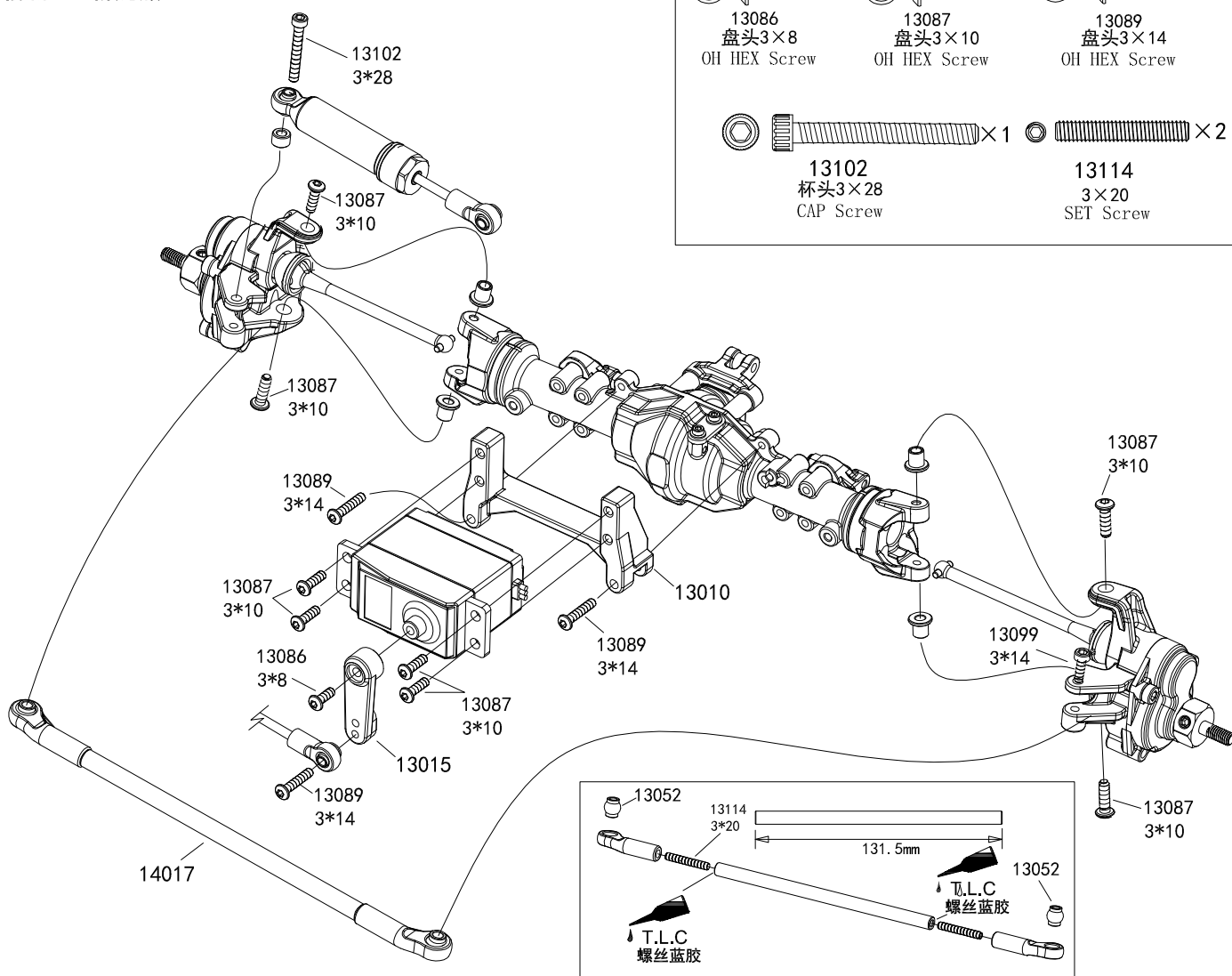
Steering Shock Absorber Assembly (Servo on portal axle version)

转向减震器组 (桥舵版)



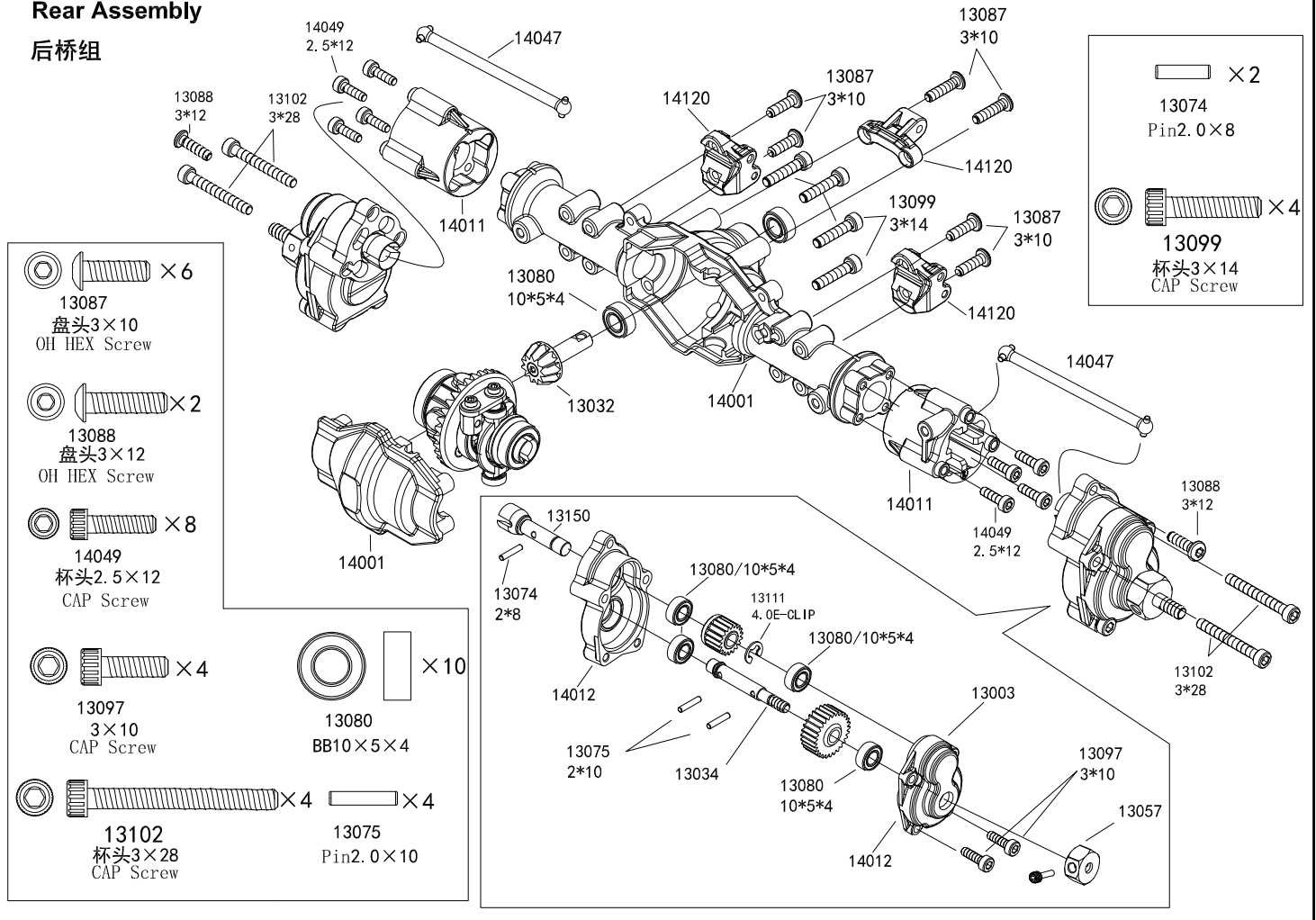
Front Assembly (Servo on portal axle version)

前桥组 (桥舵版)



Rear Assembly

后桥组



- × 6
13087
盘头3×10
OH HEX Screw

- × 2
13088
盘头3×12
OH HEX Screw

- × 8
14049
杯头2.5×12
CAP Screw

- × 4
13097
3×10
CAP Screw

- × 4
13102
杯头3×28
CAP Screw

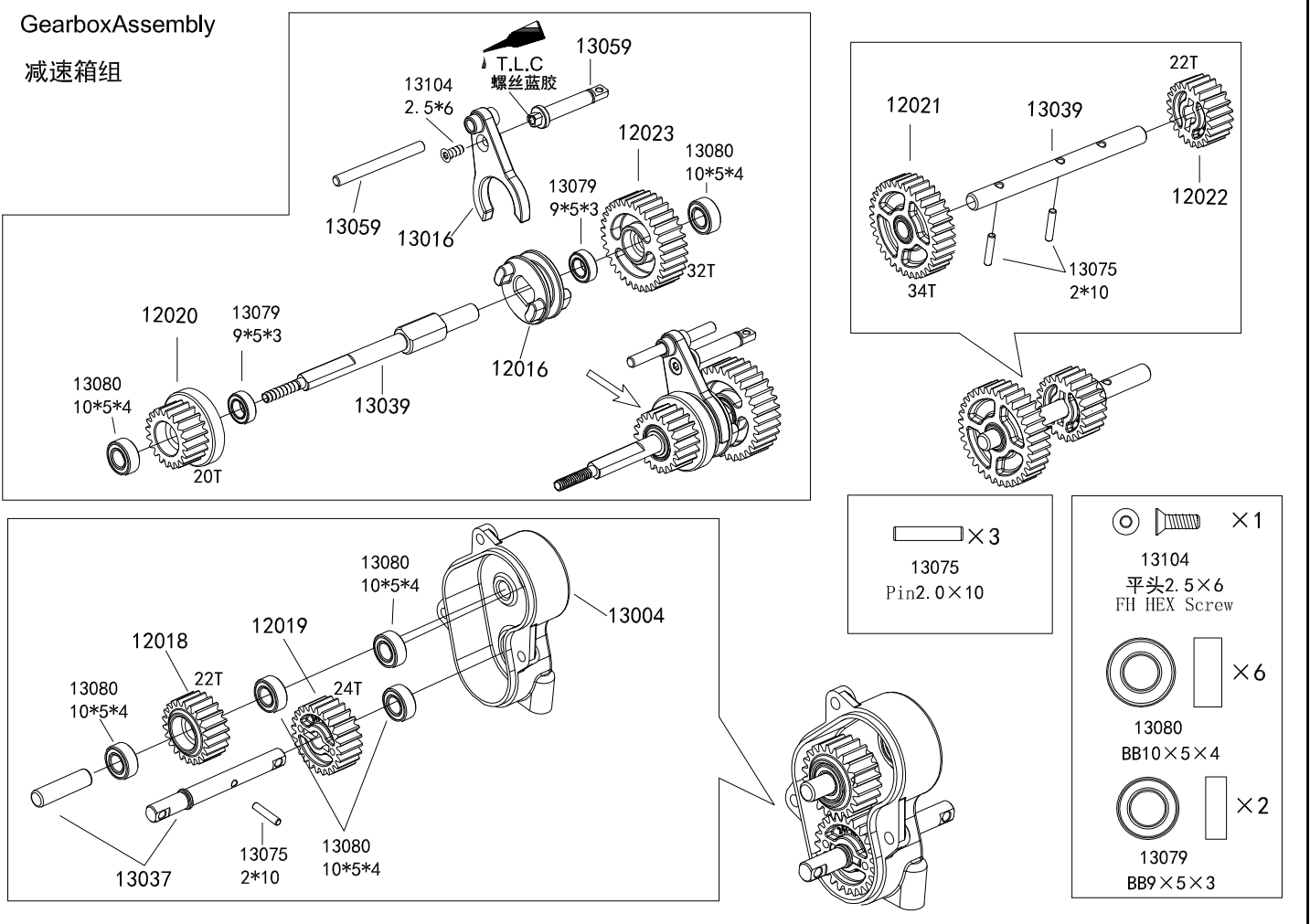
- × 10
13080
BB10×5×4

- × 4
13075
Pin2.0×10

- × 2
13074
Pin2.0×8
- × 4
13099
杯头3×14
CAP Screw

Gearbox Assembly

减速箱组



- × 3
13075
Pin2.0×10

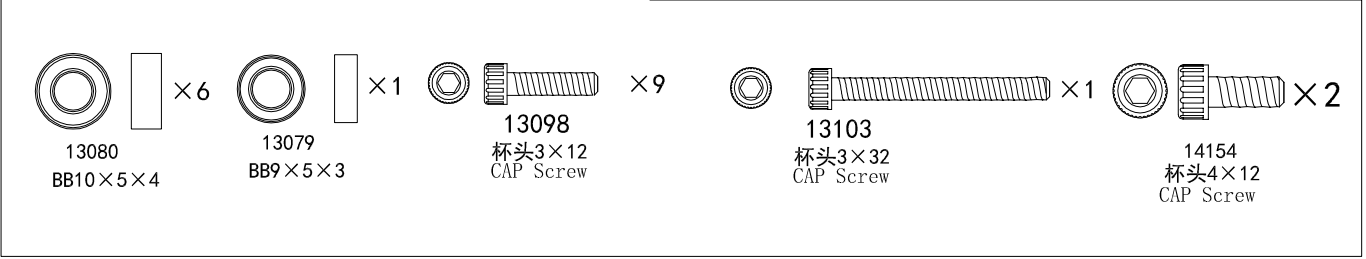
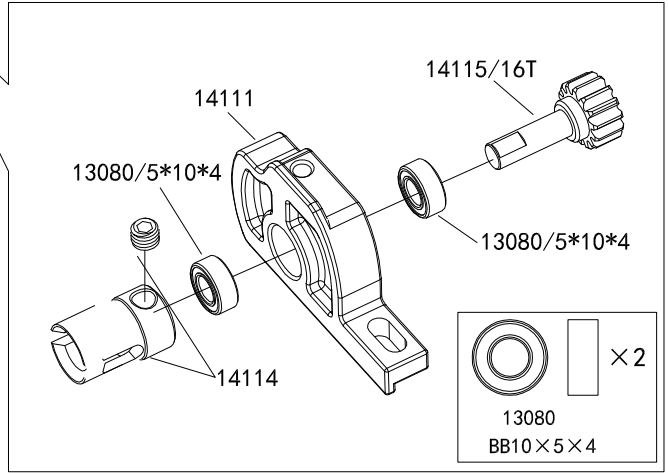
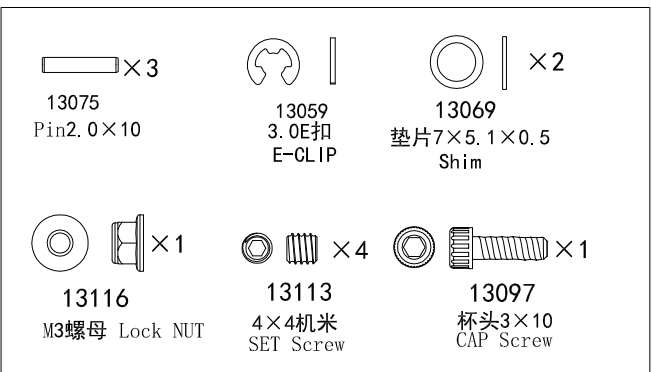
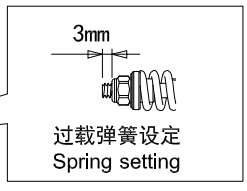
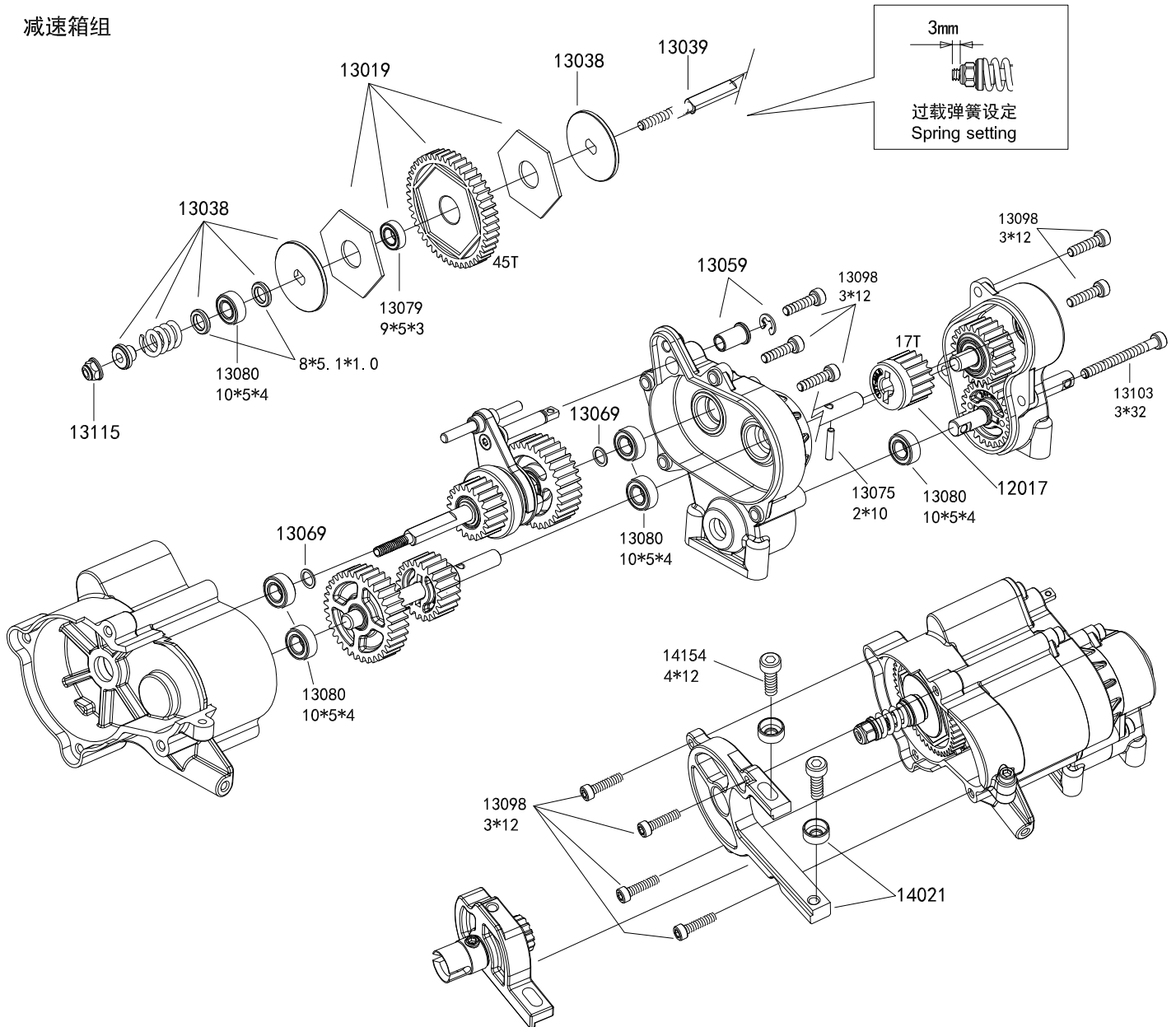
- × 1
13104
平头2.5×6
FH HEX Screw

- × 6
13080
BB10×5×4

- × 2
13079
BB9×5×3

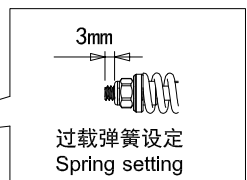
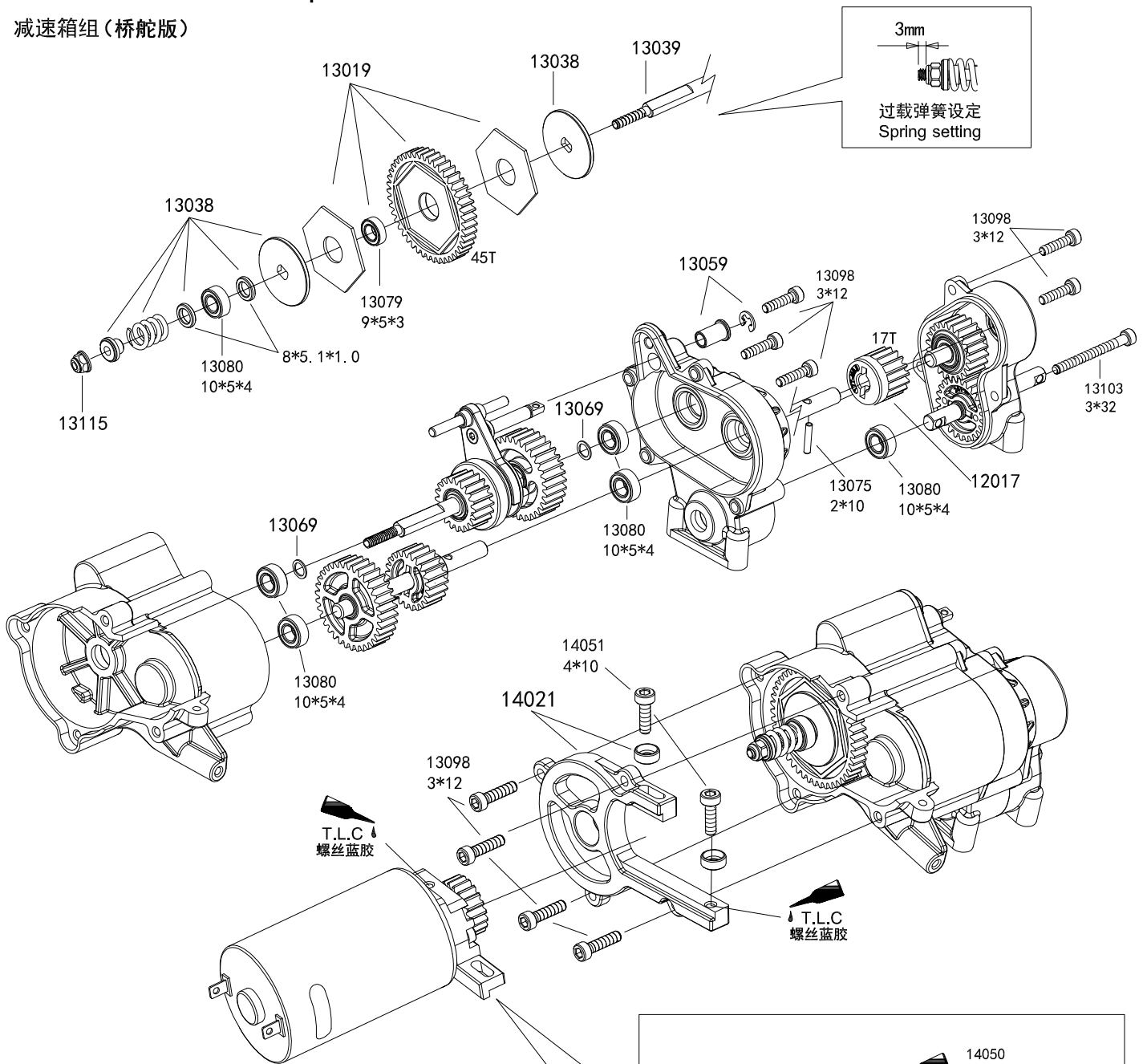
Gearbox Assembly

减速箱组

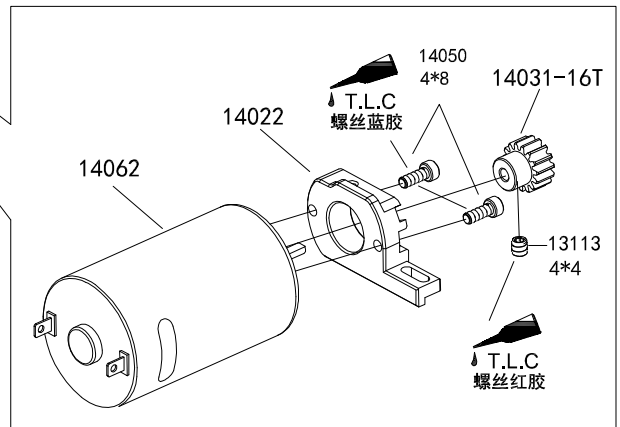


Gearbox Assembly (Servo on portal axle version)

减速箱组(桥舵版)

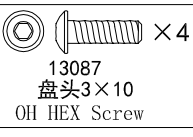
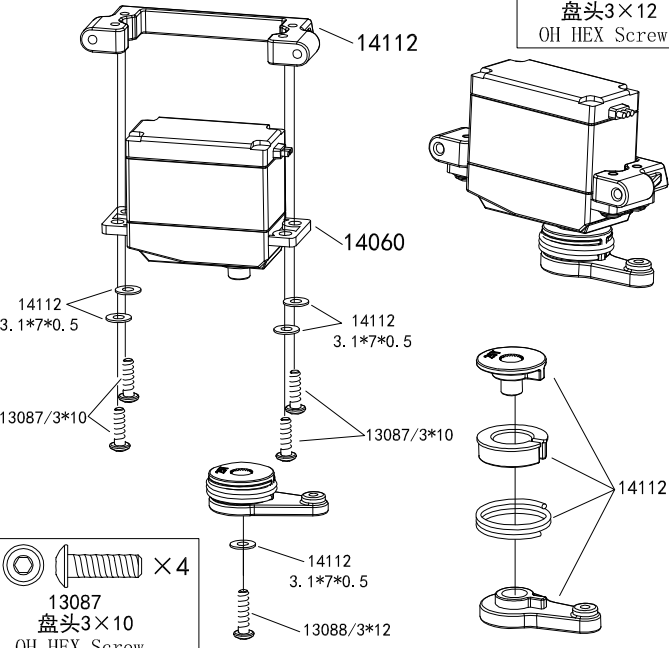


- × 3
13075
Pin 2.0×10
- × 1
13059
3.0E扣
E-CLIP
- × 2
14050
杯头4×8
CAP Screw
- × 1
13116
M3螺母 Lock NUT
- × 4
13113
4×4机米
SET Screw
- × 2
14051
杯头4×10
CAP Screw
- × 6
13080
BB10×5×4
- × 1
13079
BB9×5×3
- × 9
13098
杯头3×12
CAP Screw
- × 1
13103
杯头3×32
CAP Screw
- × 2
13069
垫片7×5.1×0.5
Shim



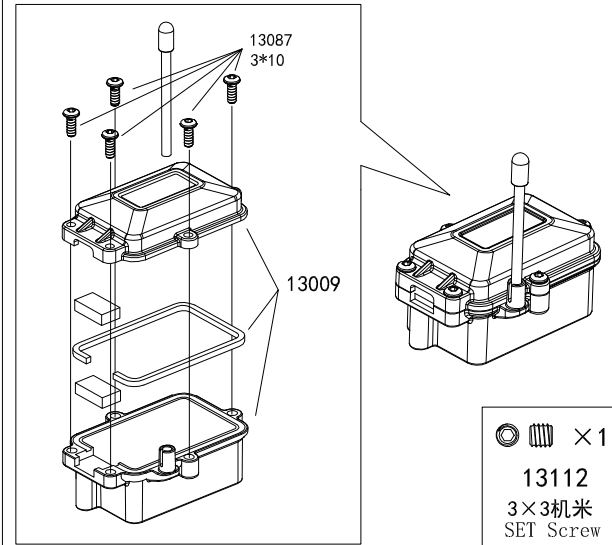
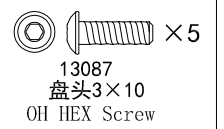
Steering Servo/Bellcrank Set

转向舵机/缓冲组装



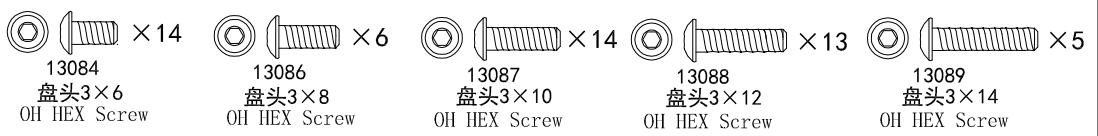
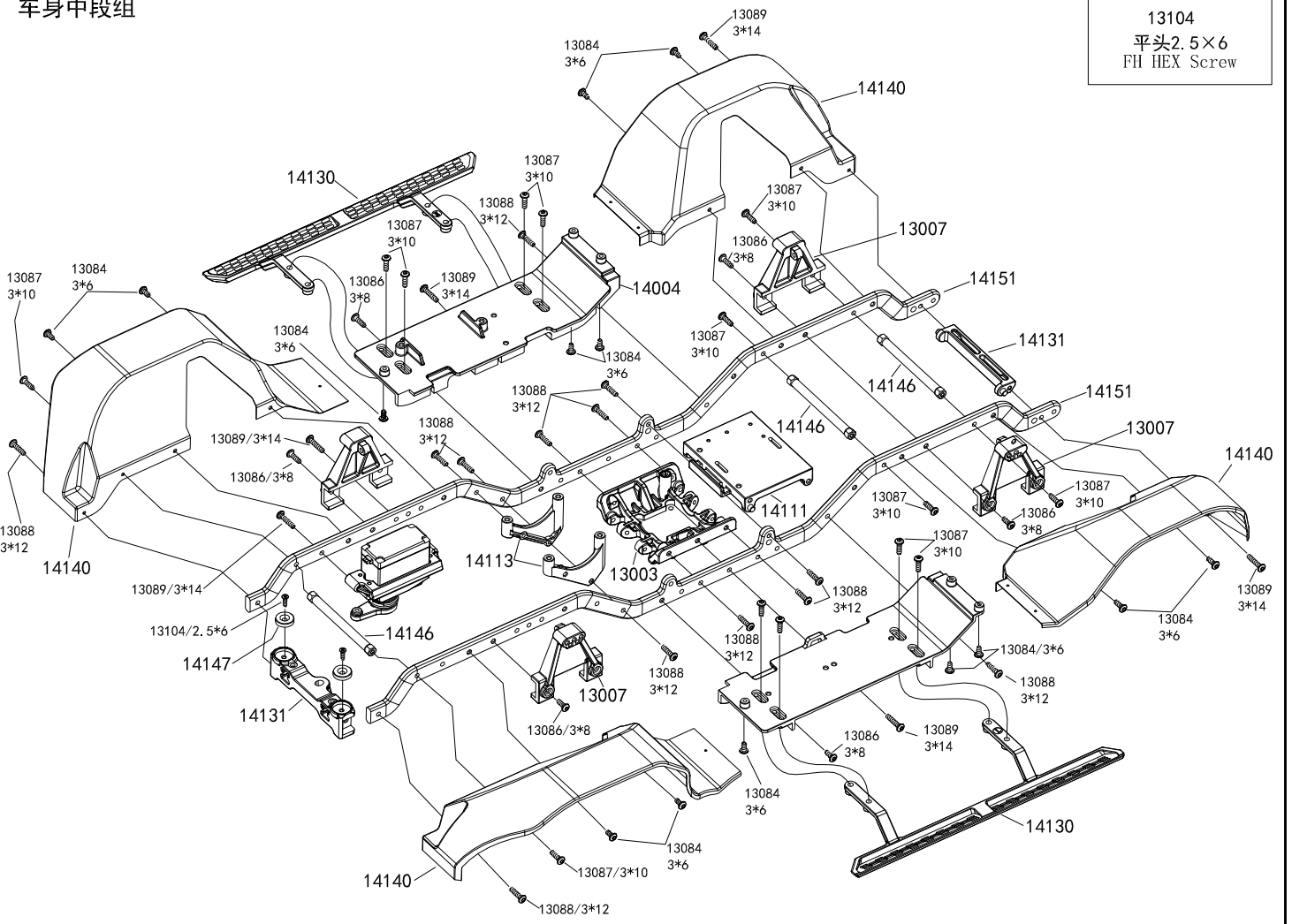
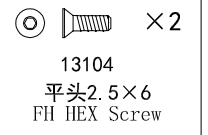
Receiver box Assembly

接收机盒组



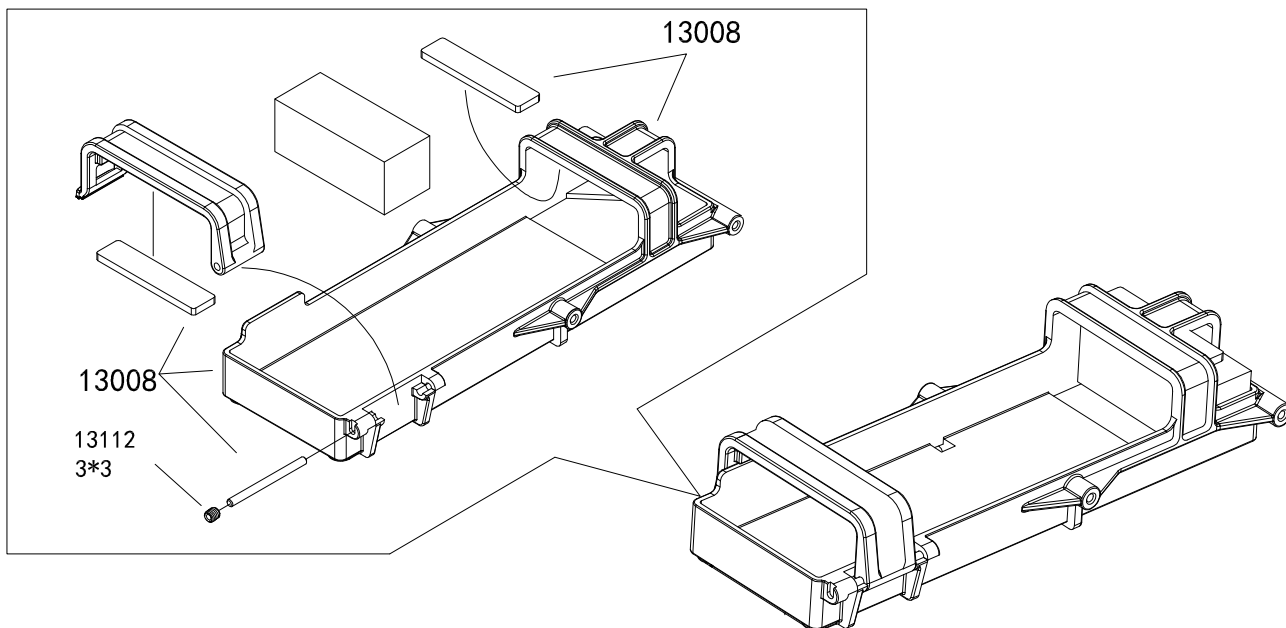
Chassis Assembly

车身中段组



Battery box Assembly (Servo on portal axle version)

电池盒组 (桥舵版)

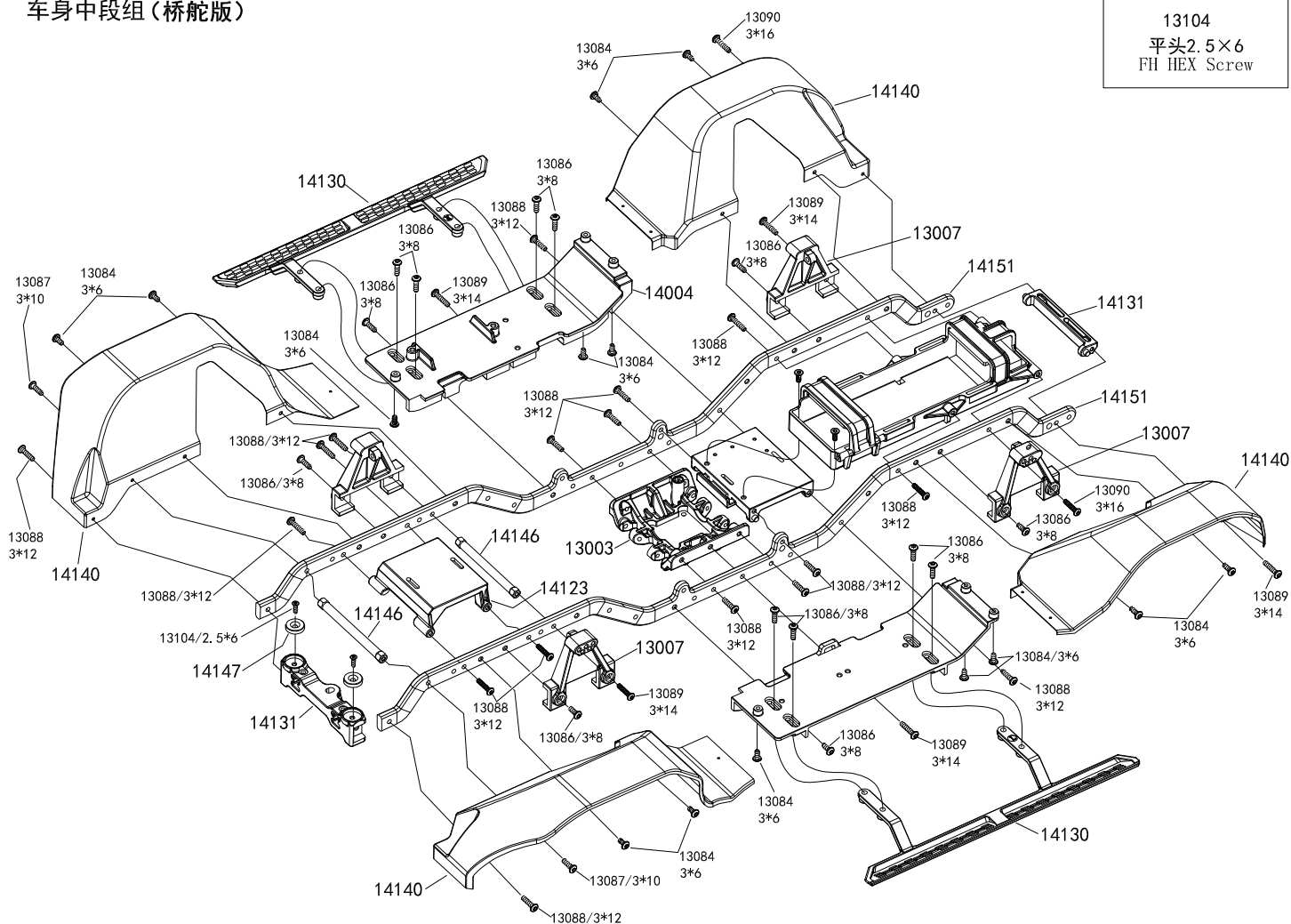


Chassis Assembly (Servo on portal axle version)

车身中段组 (桥舵版)



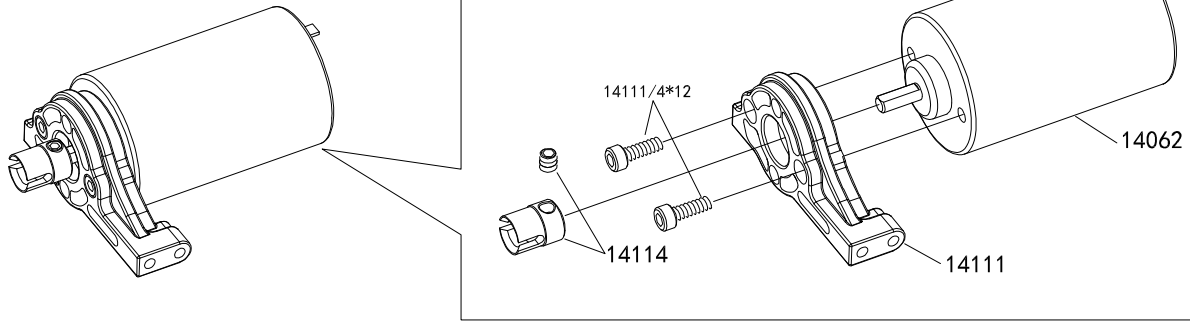
 × 2
 13104
 平头2.5×6
 FH HEX Screw



- | | | | | | |
|--|--|---|---|--|--|
|   × 14
13084
盘头3×6
OH HEX Screw |   × 14
13086
盘头3×8
OH HEX Screw |   × 12
13087
盘头3×10
OH HEX Screw |   × 16
13088
盘头3×12
OH HEX Screw |   × 9
13089
盘头3×14
OH HEX Screw |   × 2
13090
盘头3×16
OH HEX Screw |
|--|--|---|---|--|--|

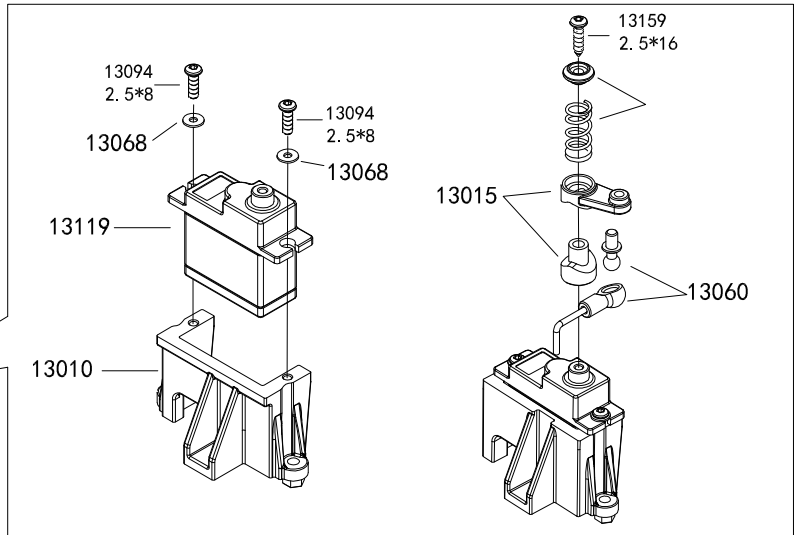
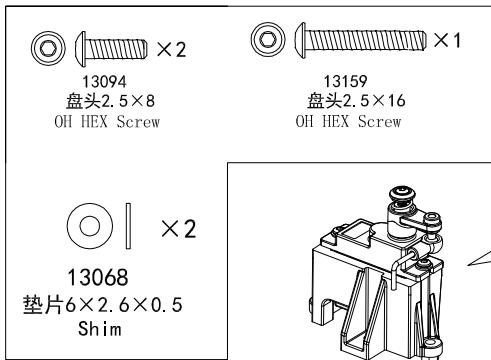
Motor Mounting Assemble

马达固定座组装



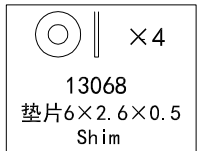
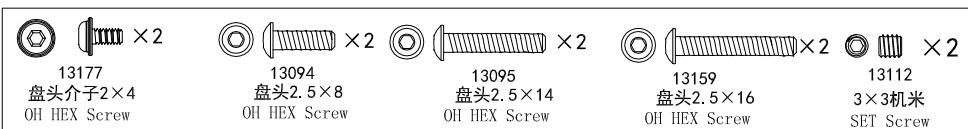
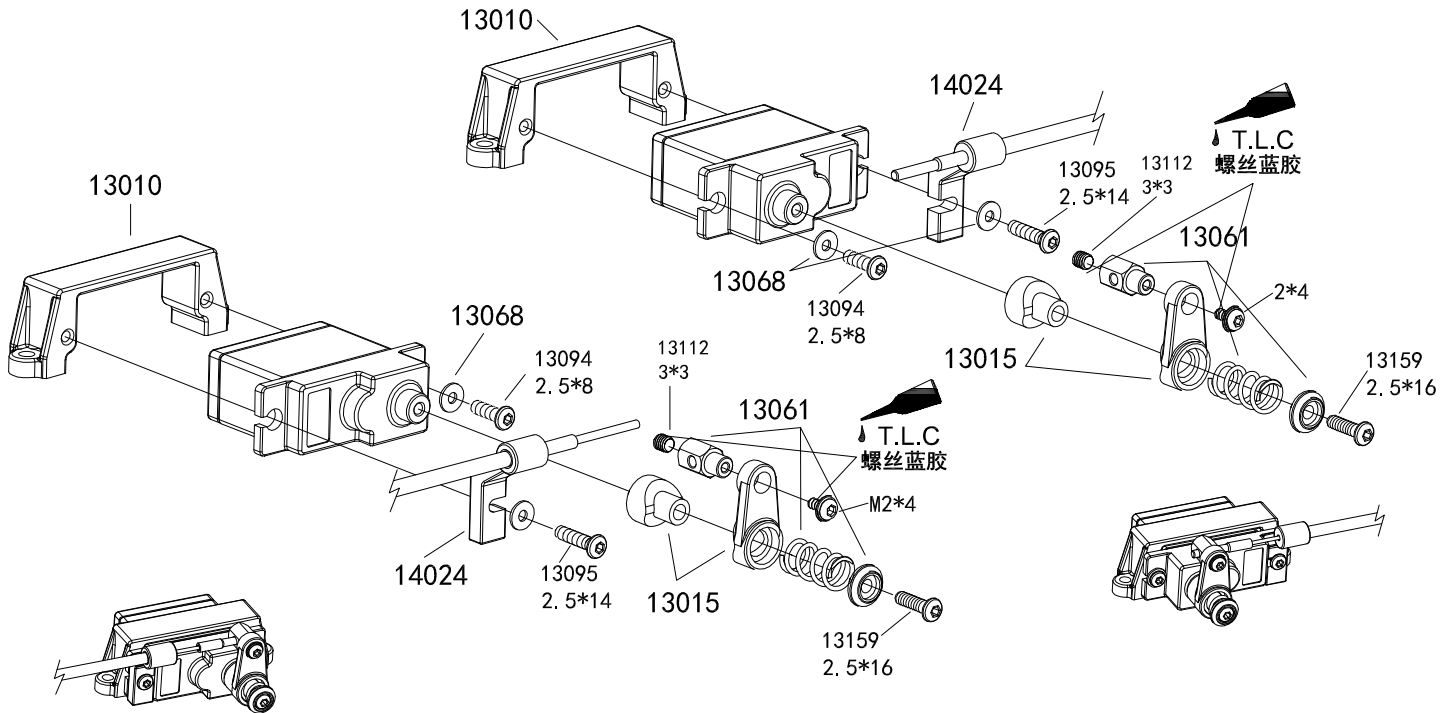
Hi/Low speeds servo assembly

高低速舵机组



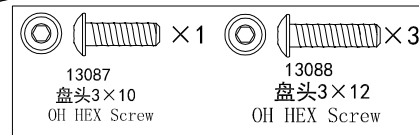
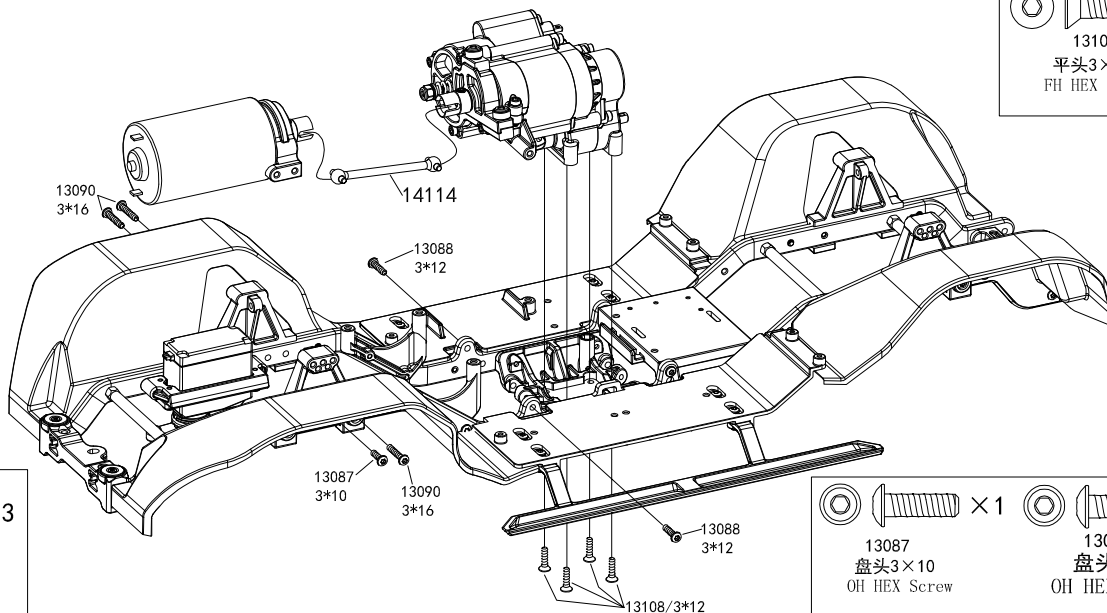
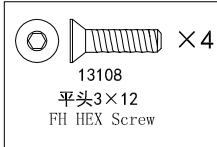
Differential lock servo assembly

差速锁舵机组



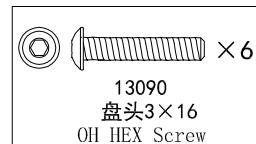
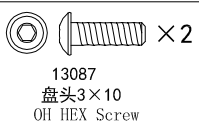
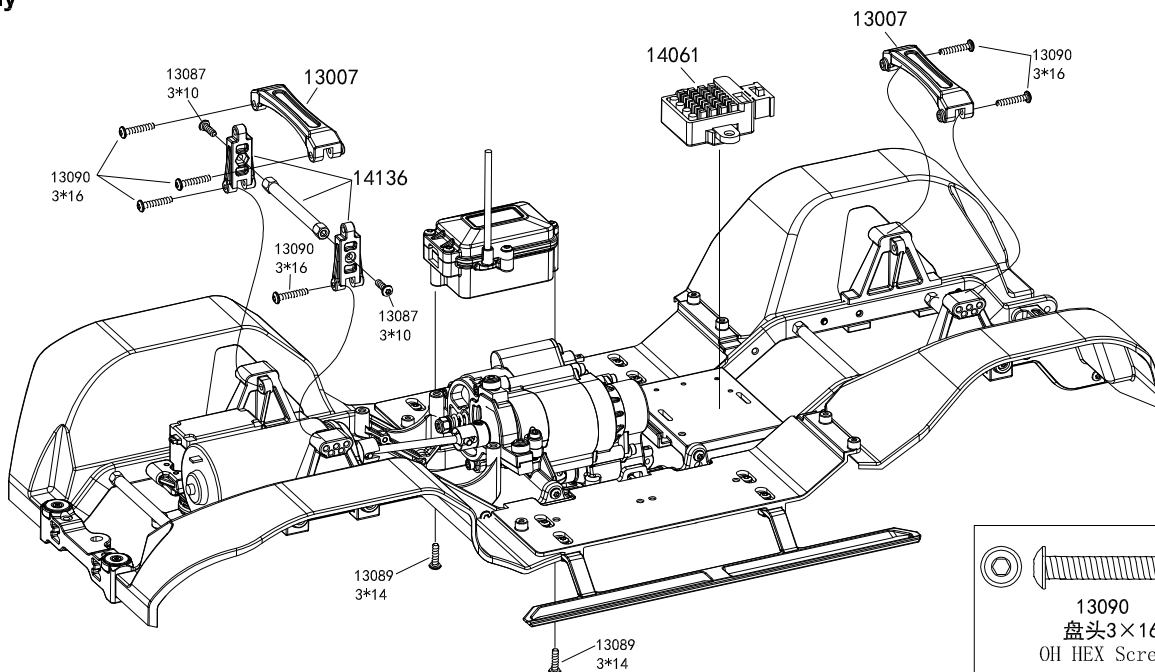
Chassis Assembly

车身中段组装



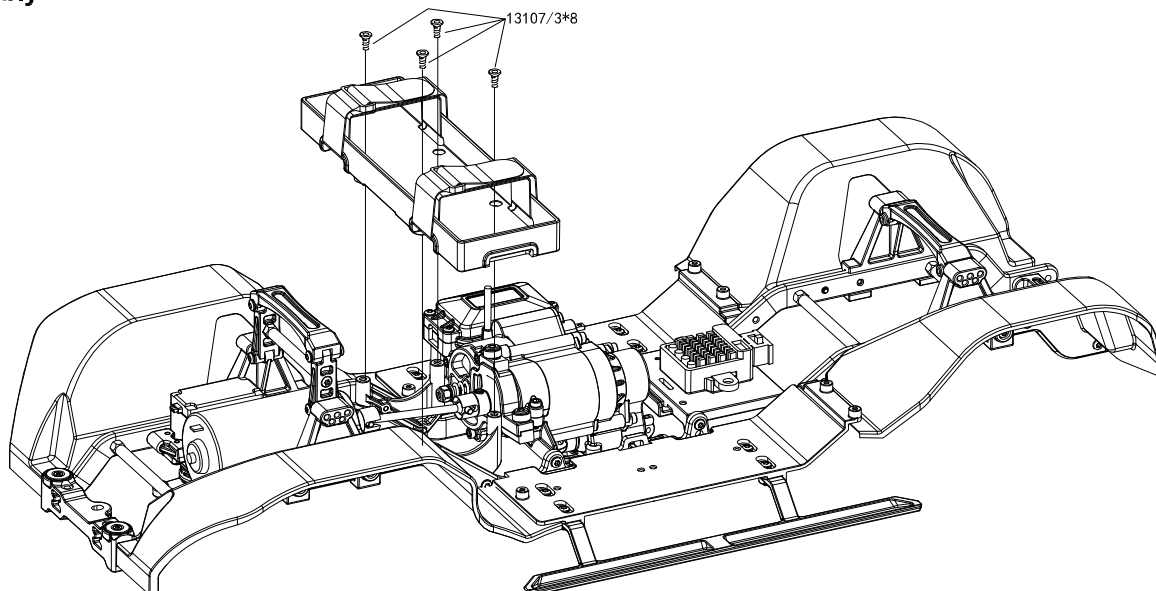
Chassis Assembly

车架中支撑组装



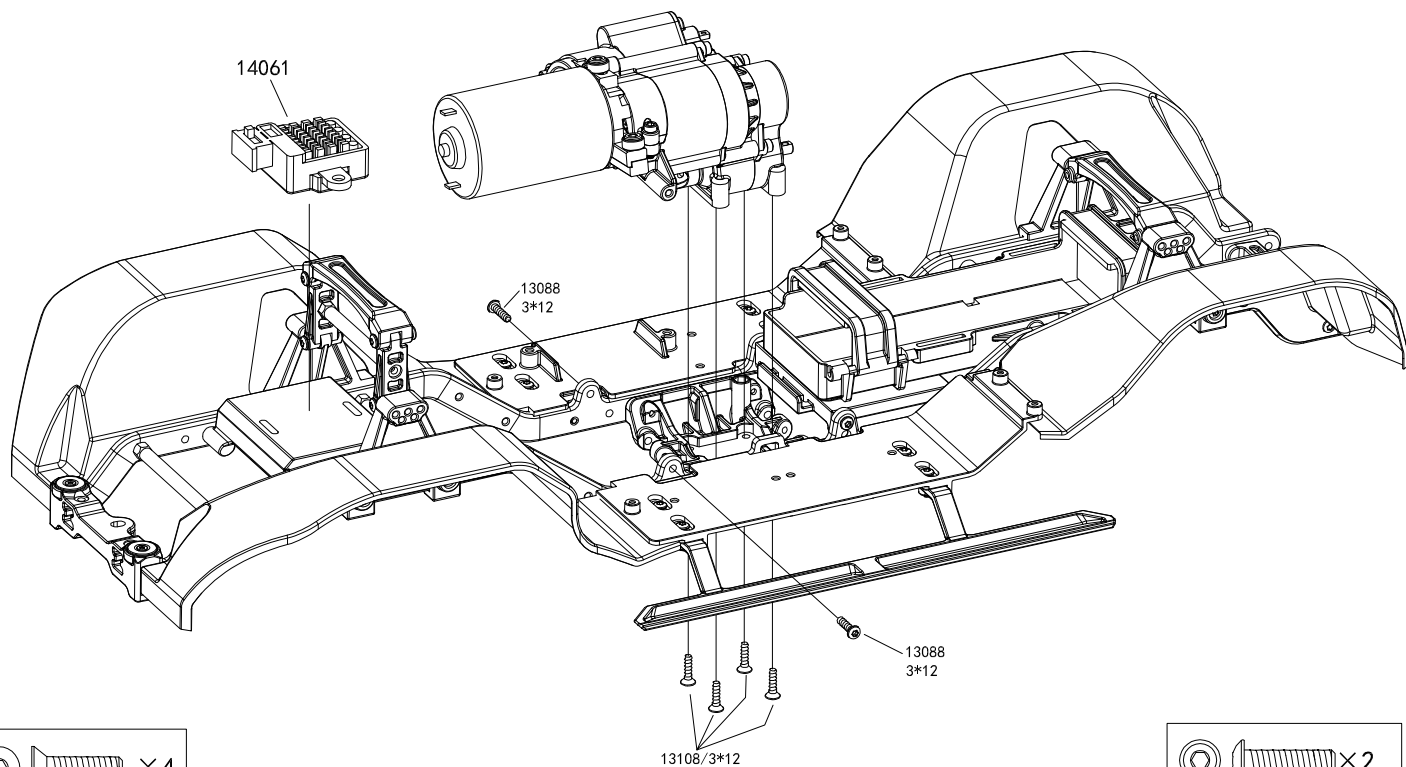
Battery Box Assembly

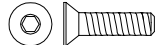
电池盒组装




Chassis Assembly (Servo on portal axle version)

车身中段组装 (桥舵版)

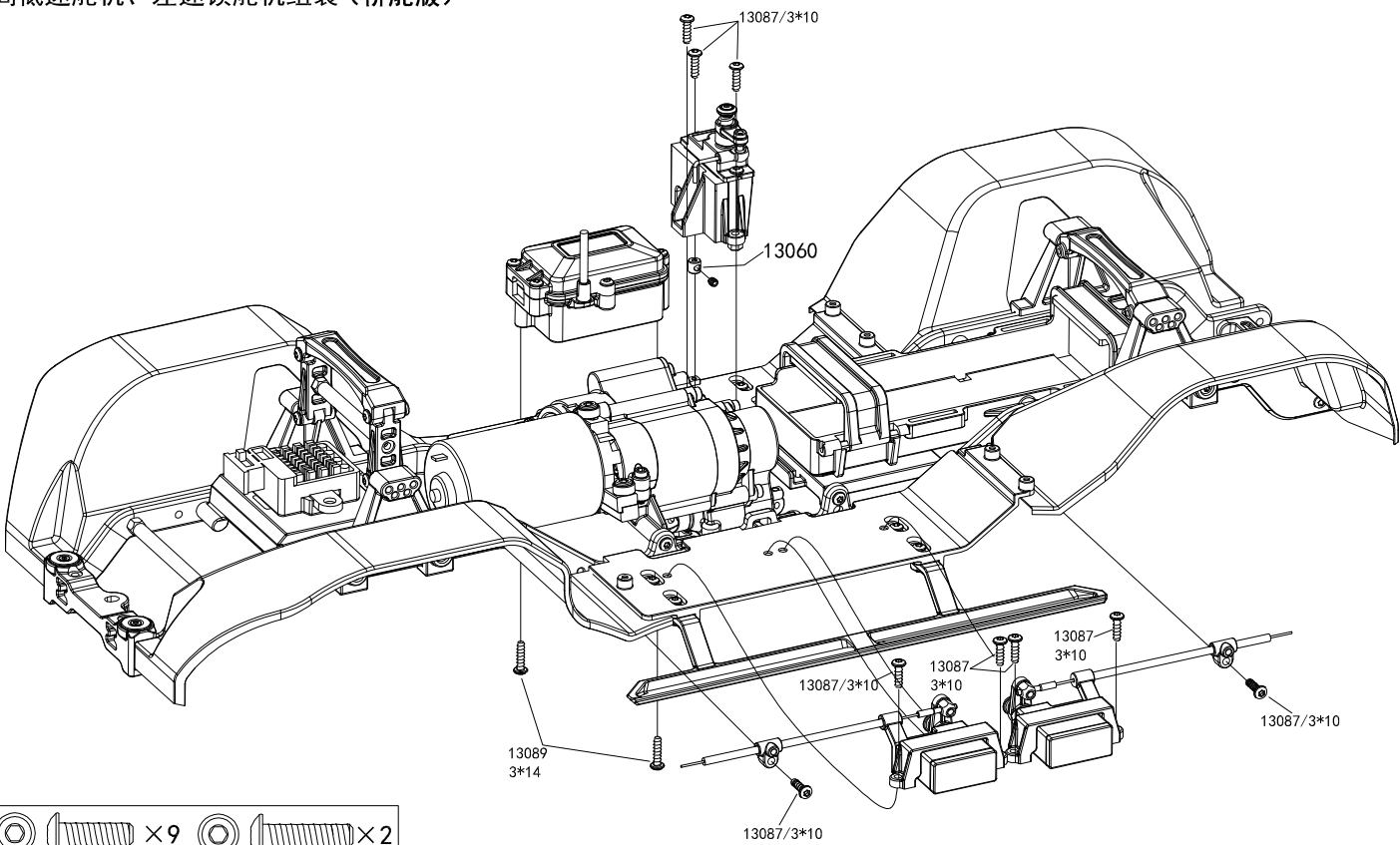


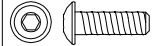
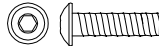
 × 4
 13108
 平头3×12
 FH HEX Screw

 × 2
 13088
 盘头3×12
 OH HEX Screw

Hi/Low speeds servo,differential lock servo assembly (Servo on portal axle version)

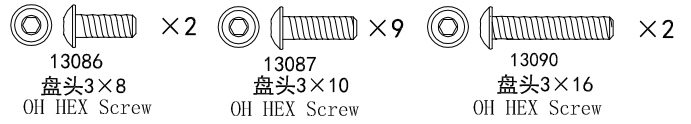
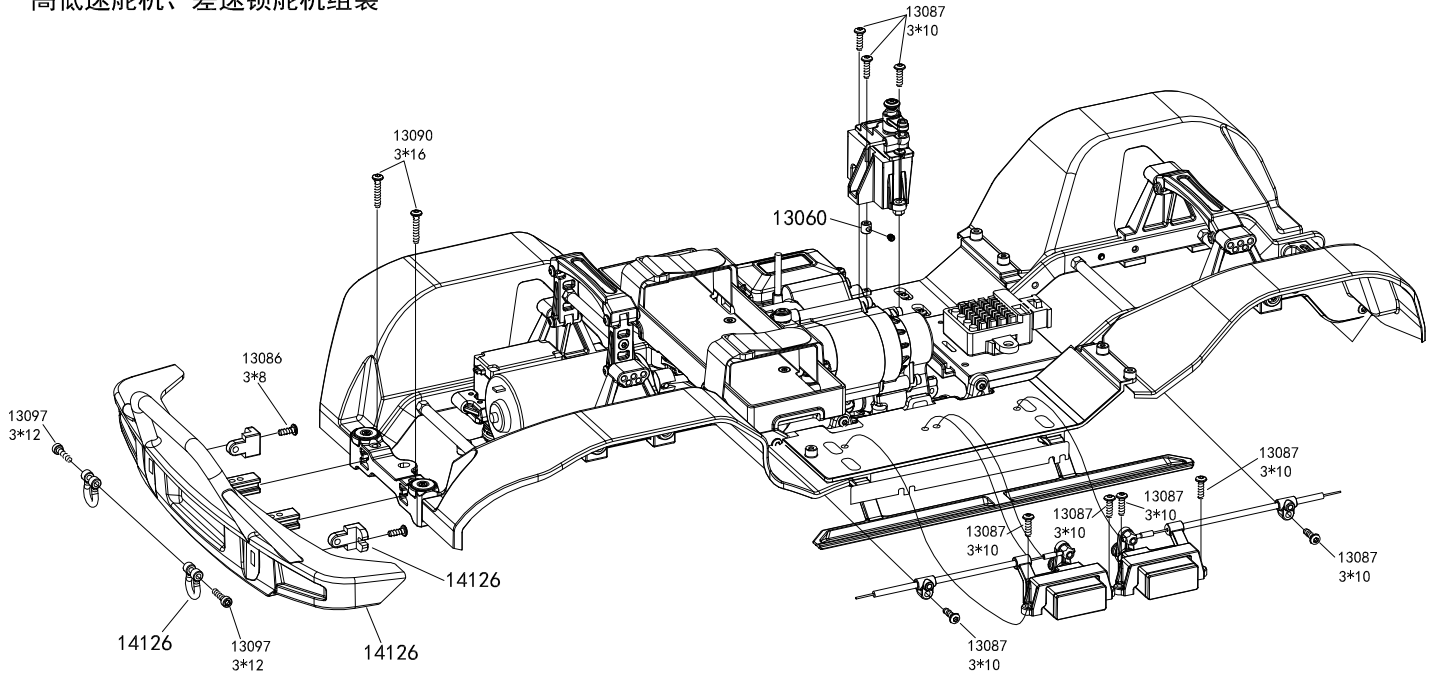
高低速舵机、差速锁舵机组装 (桥舵版)



 × 9  × 2
 13087 13089
 盘头3×10 盘头3×14
 OH HEX Screw OH HEX Screw

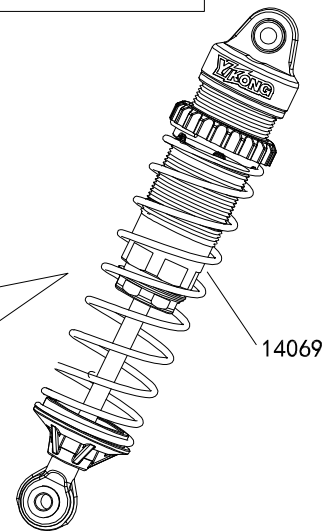
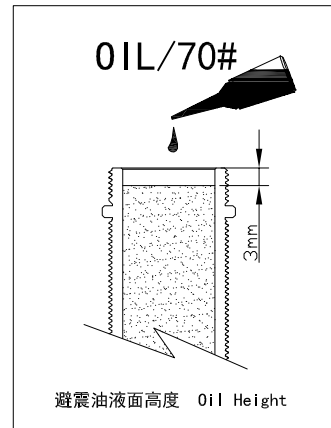
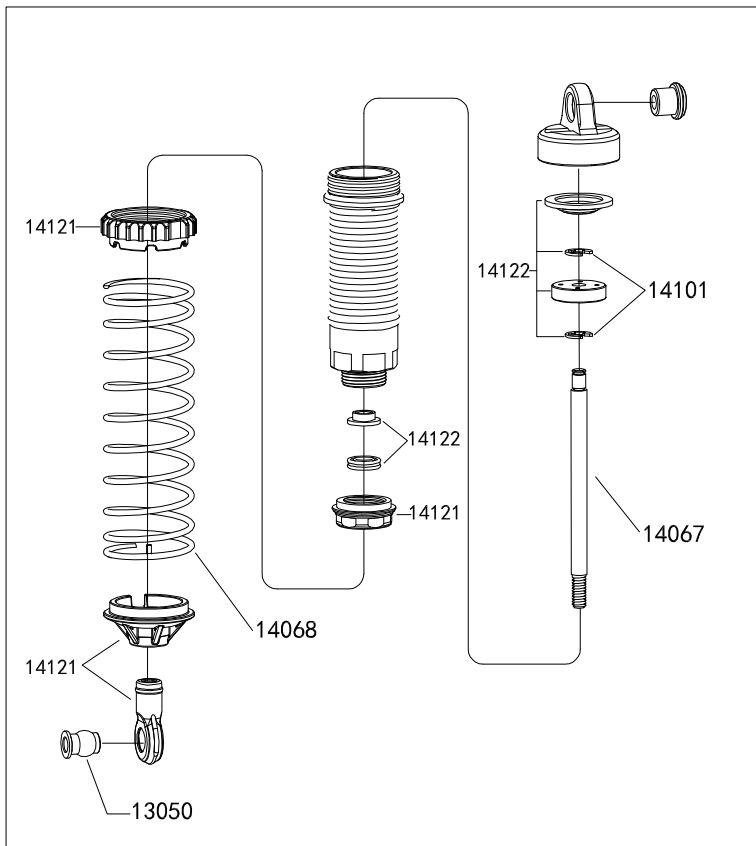
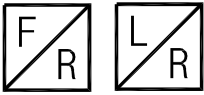
Hi/Low speeds servo,differential lock servo assembly

高低速舵机、差速锁舵机组装



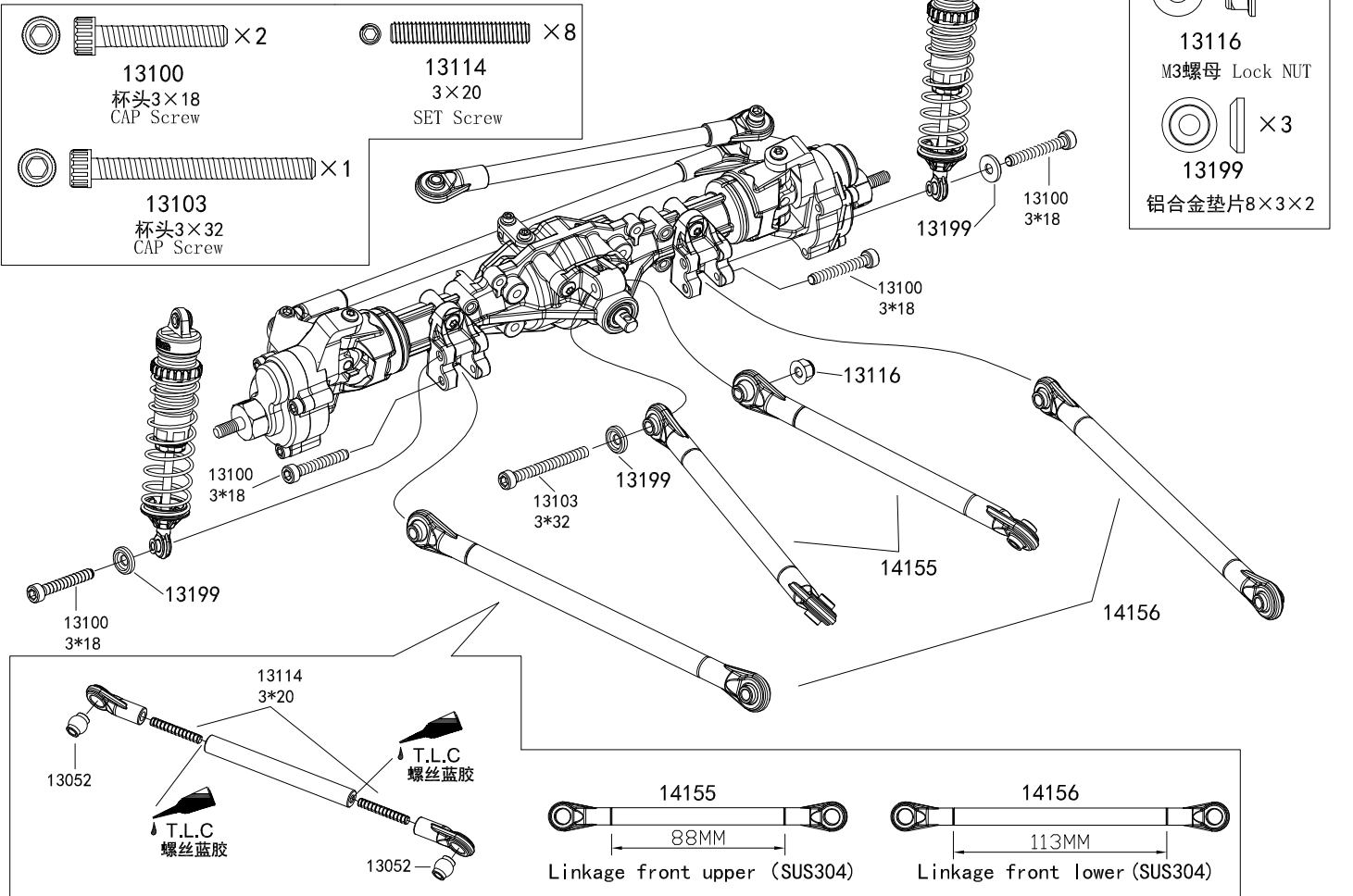
Shock Assembly

避震器 前/后/左/右



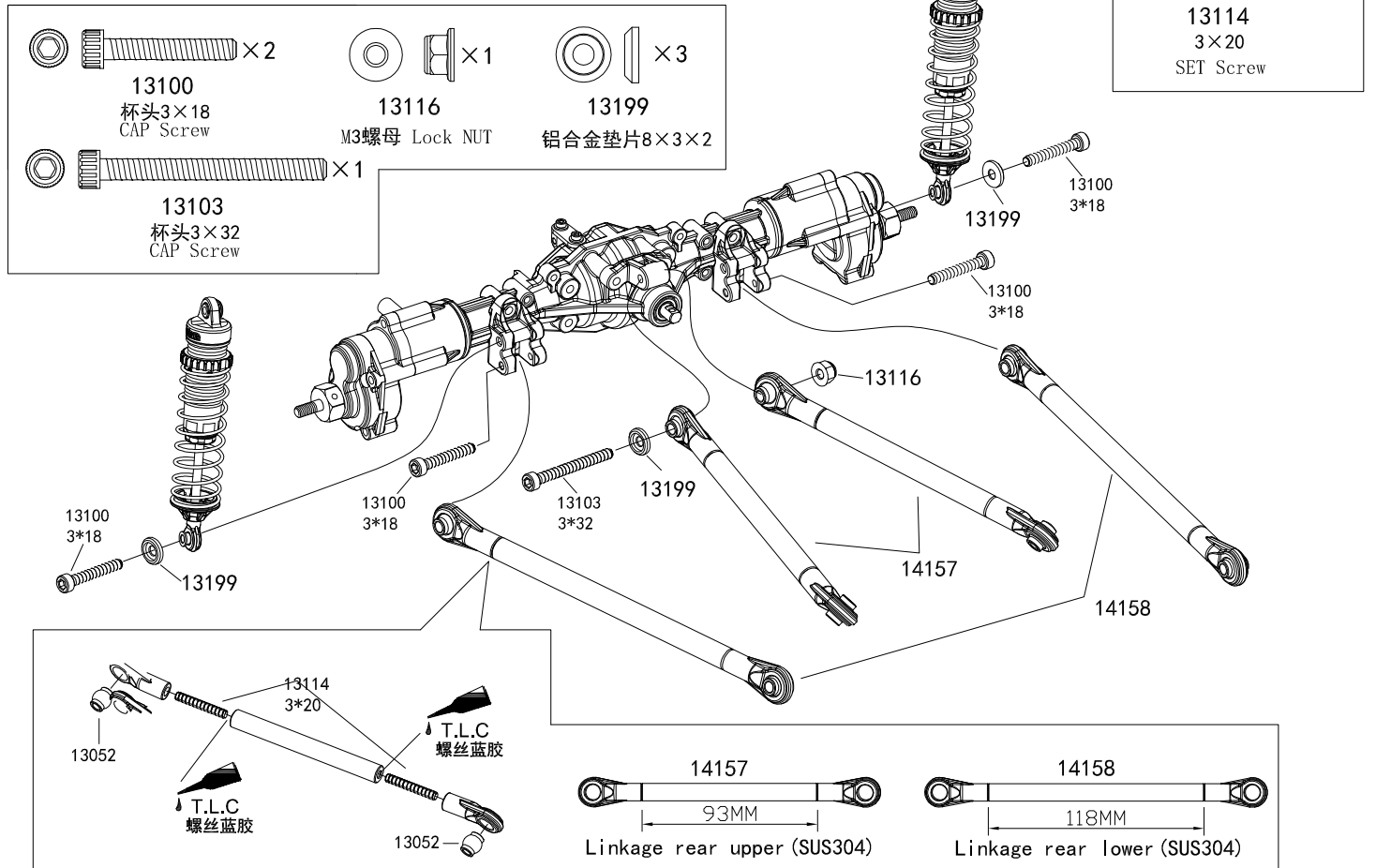
Front portal assembly linkage shock installation

前桥组拉杆, 避震器安装



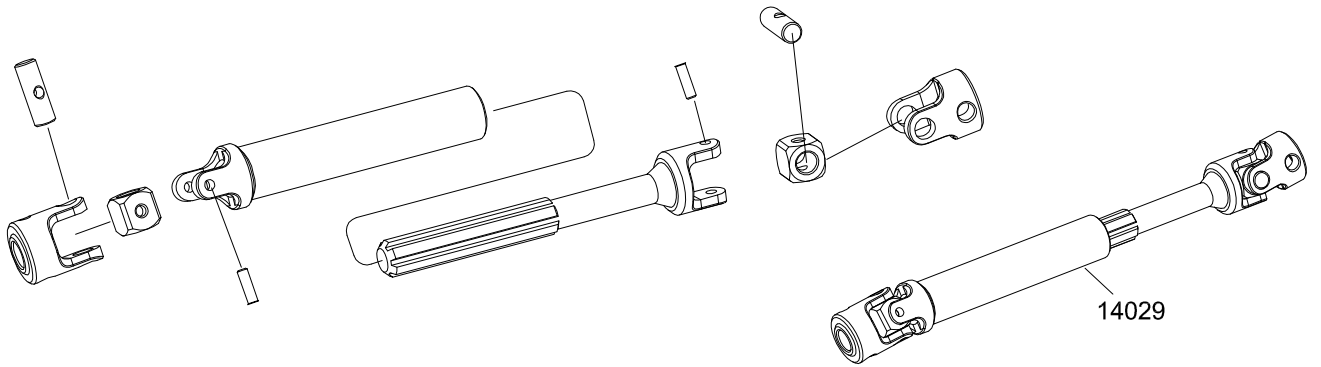
Rear portal assembly linkage shock installation

后桥组拉杆, 避震器安装



Vertical universal shaft assembly

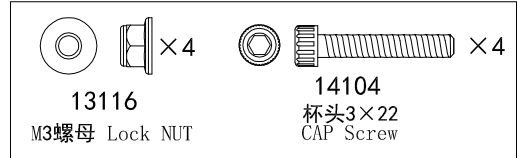
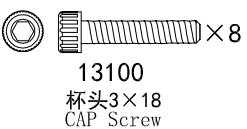
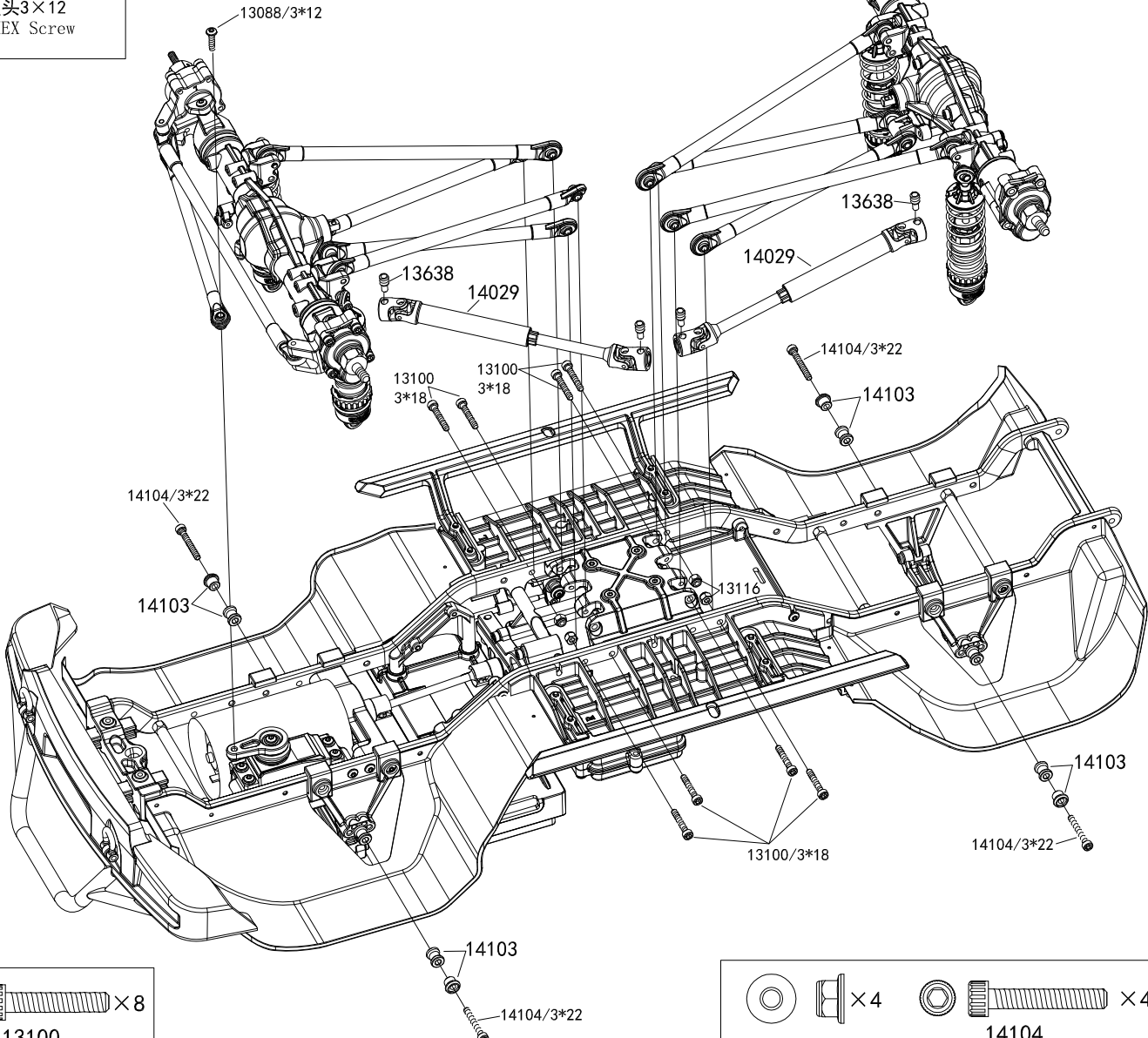
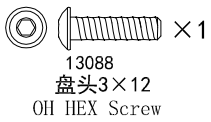
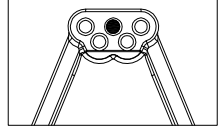
纵万向轴 前/后



Modular Assembly




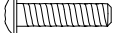
前后桥总组装

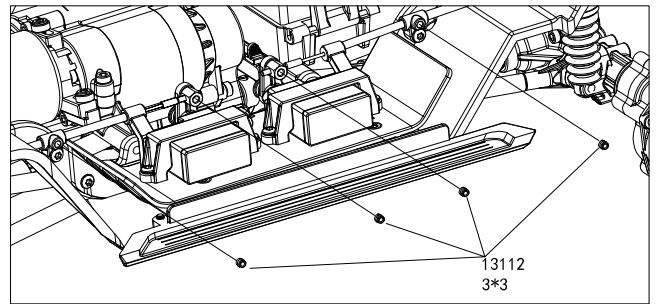
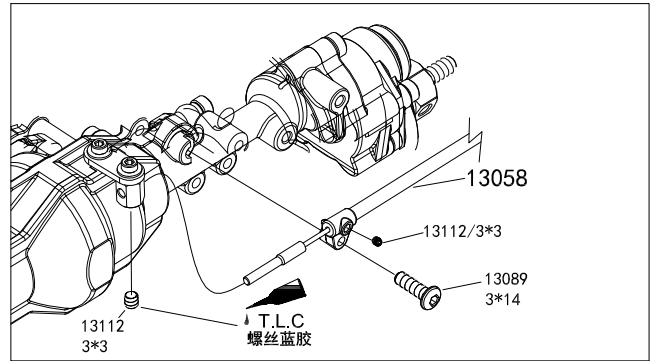
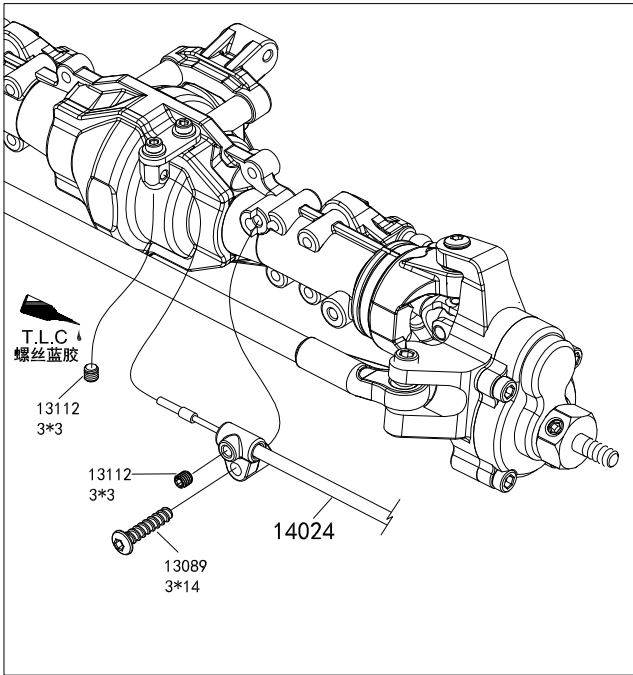
避震器安装孔位



Differential lock wires fixture

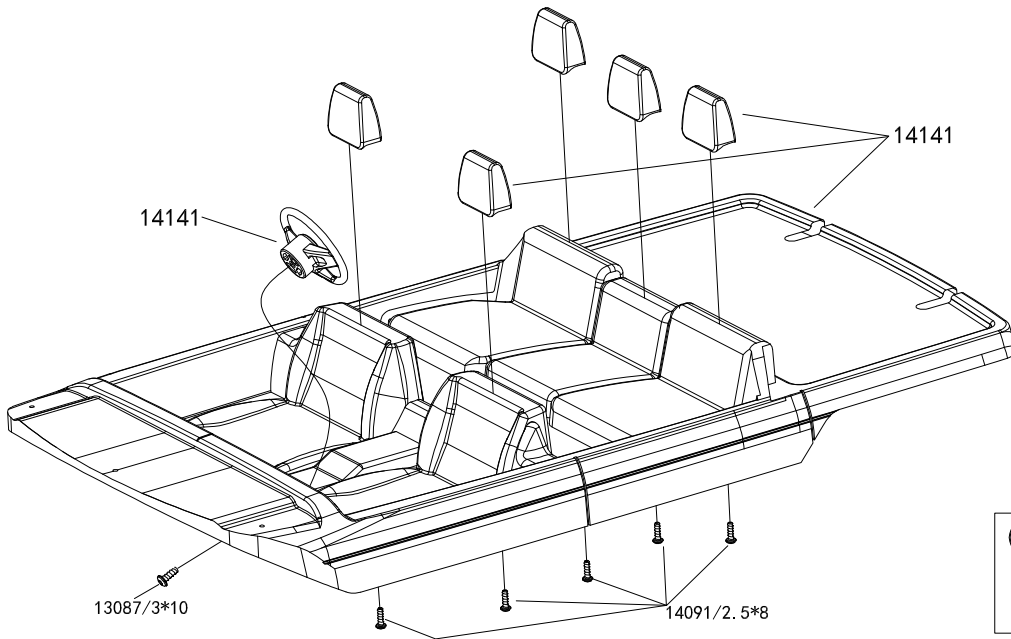
差速锁拉绳安装

  × 8	  × 2
13112 机米3×3 SET Screw	13089 盘头3×14 OH HEX Screw





Cockpit set assemble

驾驶舱组装

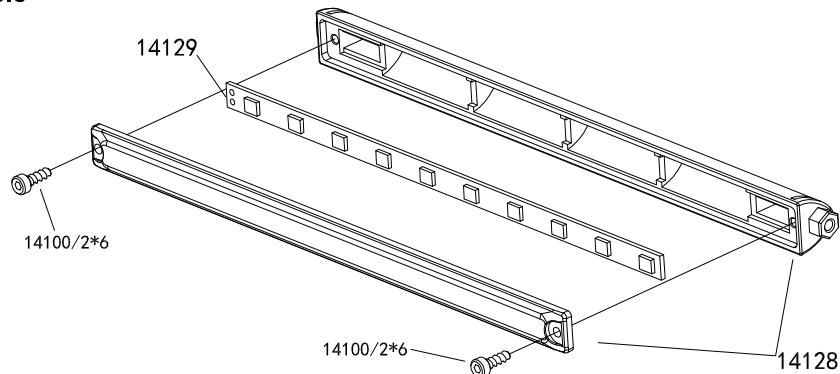


  × 1
13087 盘头3×10 OH HEX Screw

  × 5
14091 盘头十字2.5×8 Button head Screw

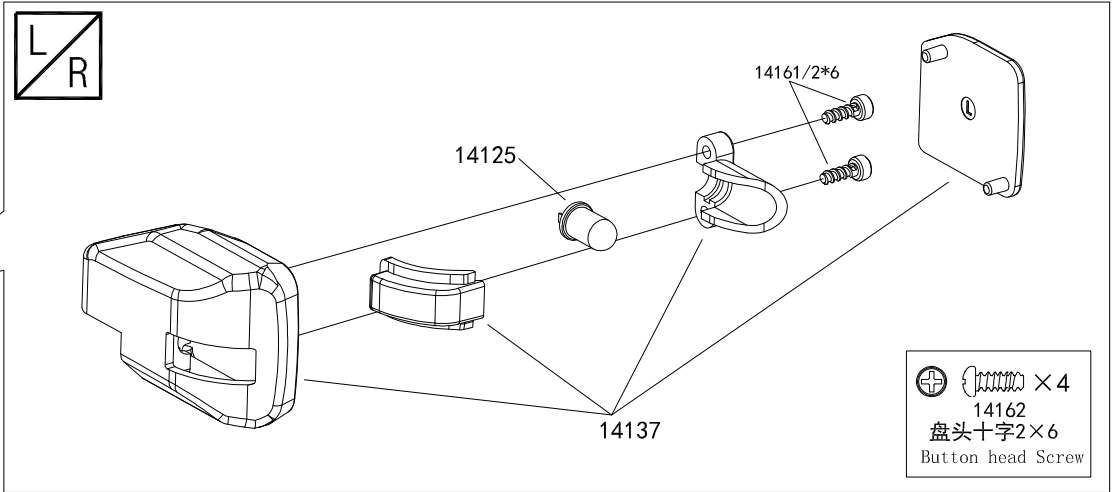
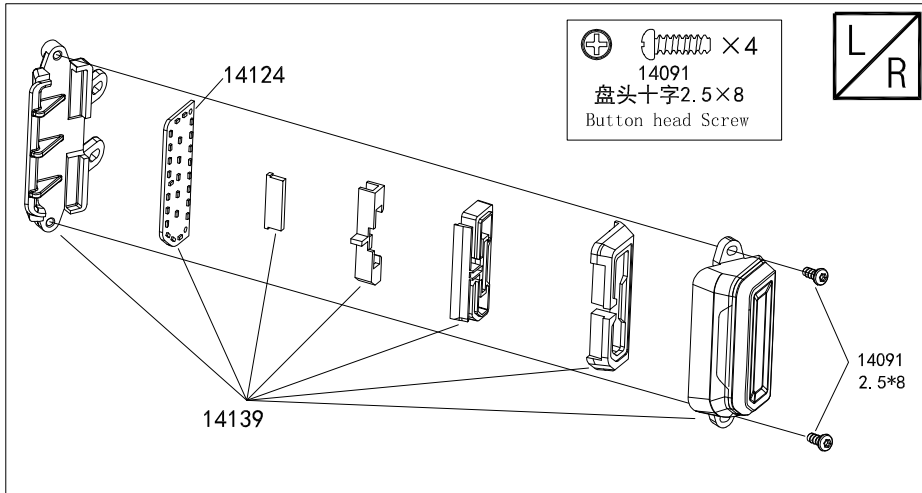
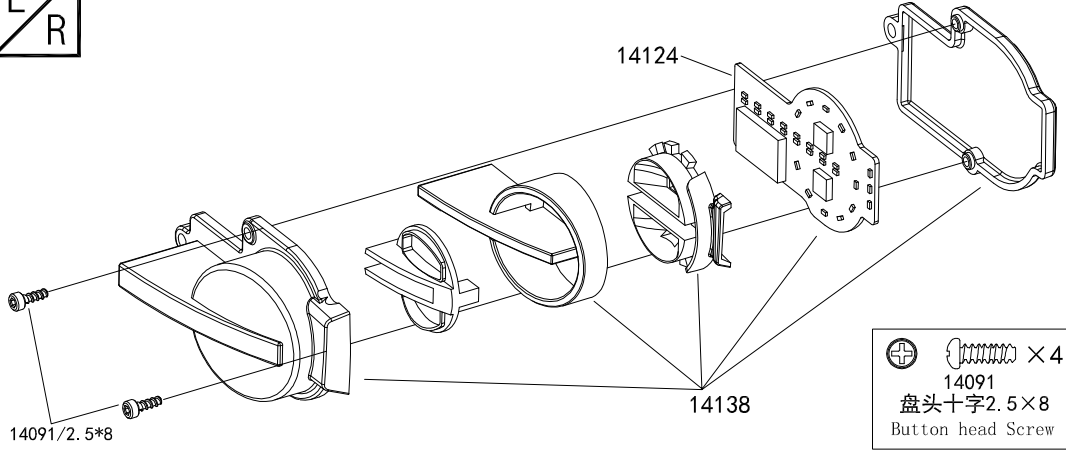
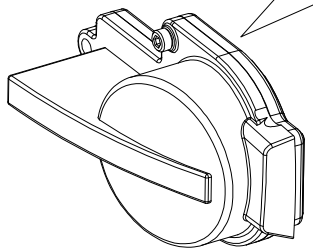
LED top light assemble

LED顶灯组装

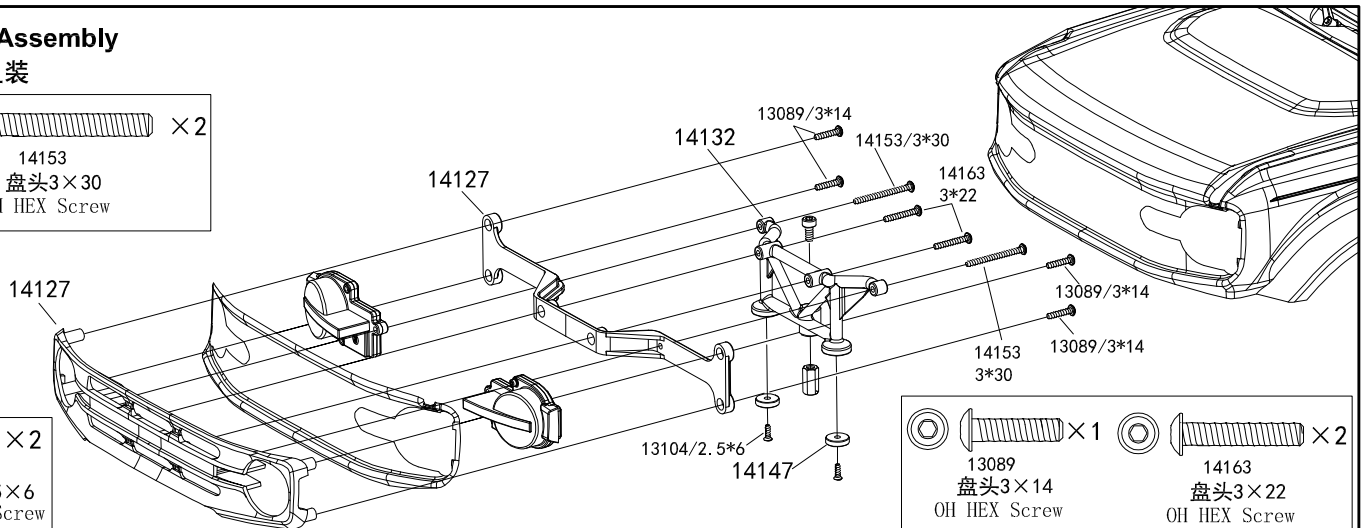
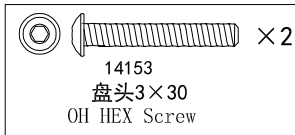


  × 2
14100 杯头2×6 CAP Screw

LED lights Assembly
车灯组

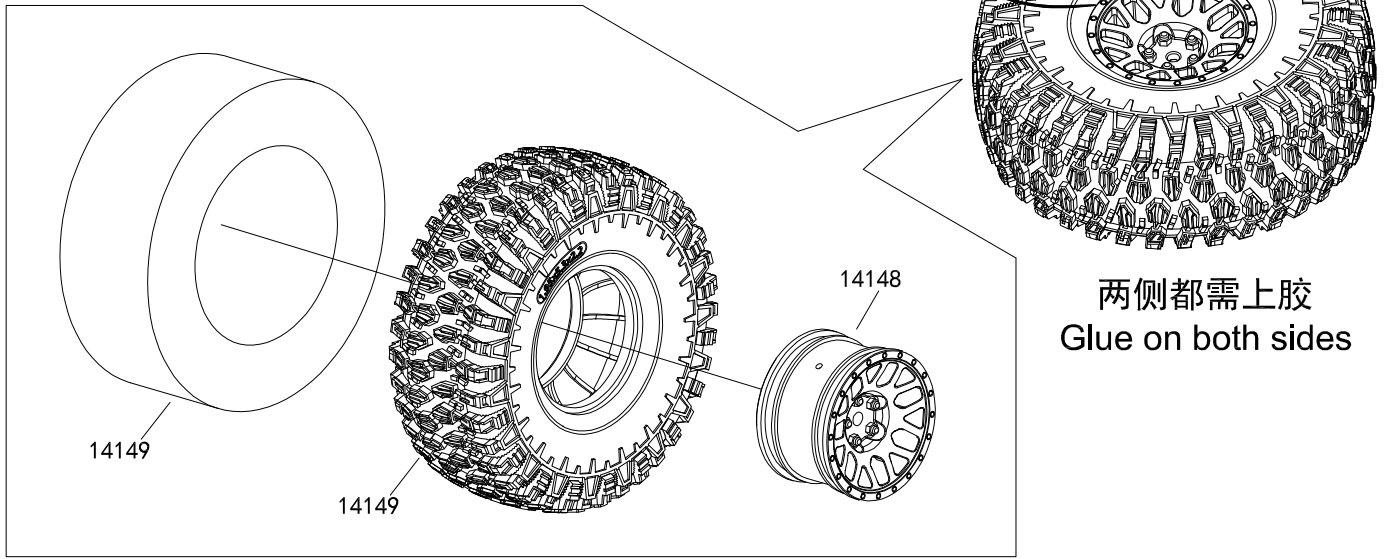


Body Assembly
车壳组装



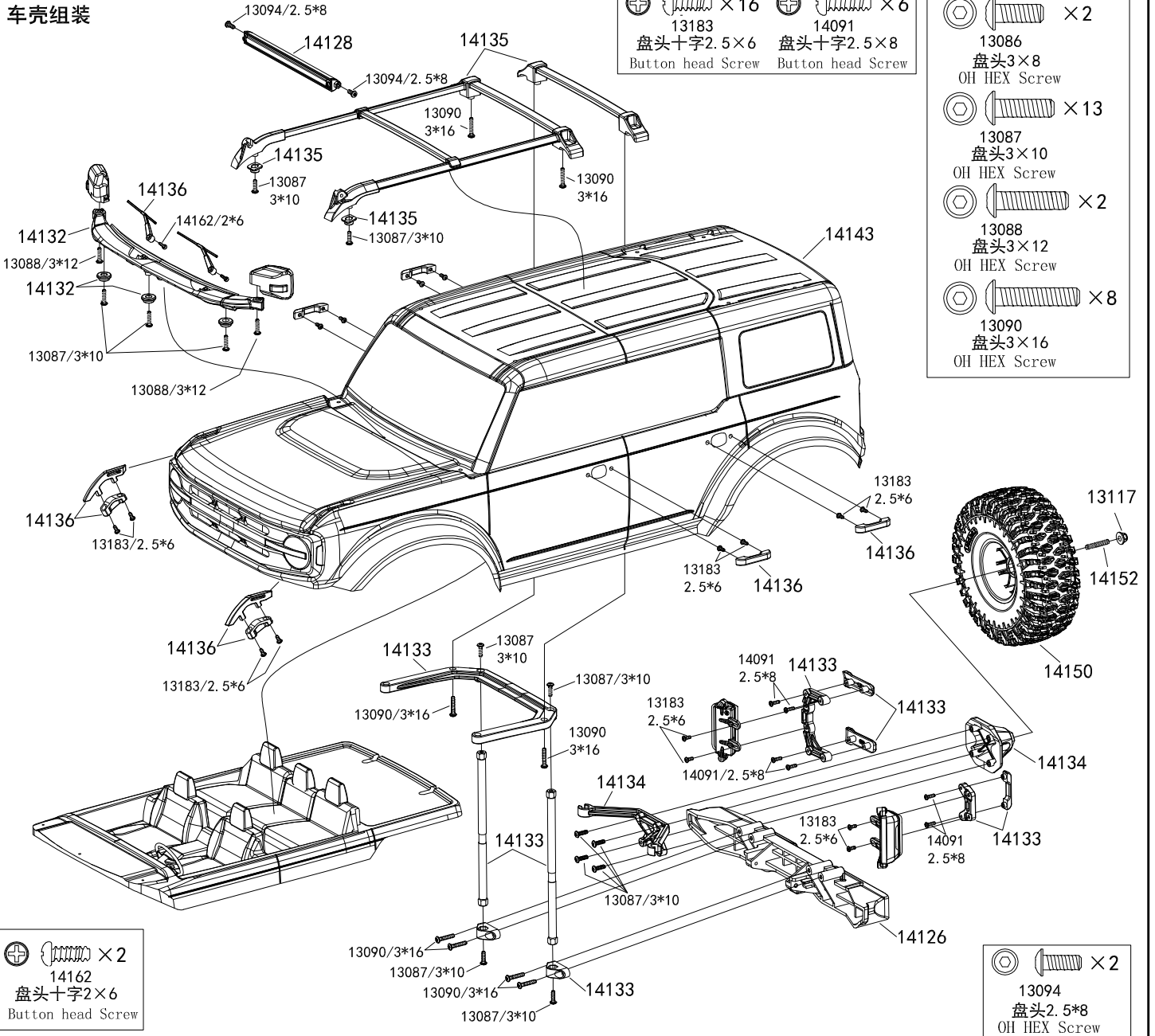
Tires Assembly

轮胎安装

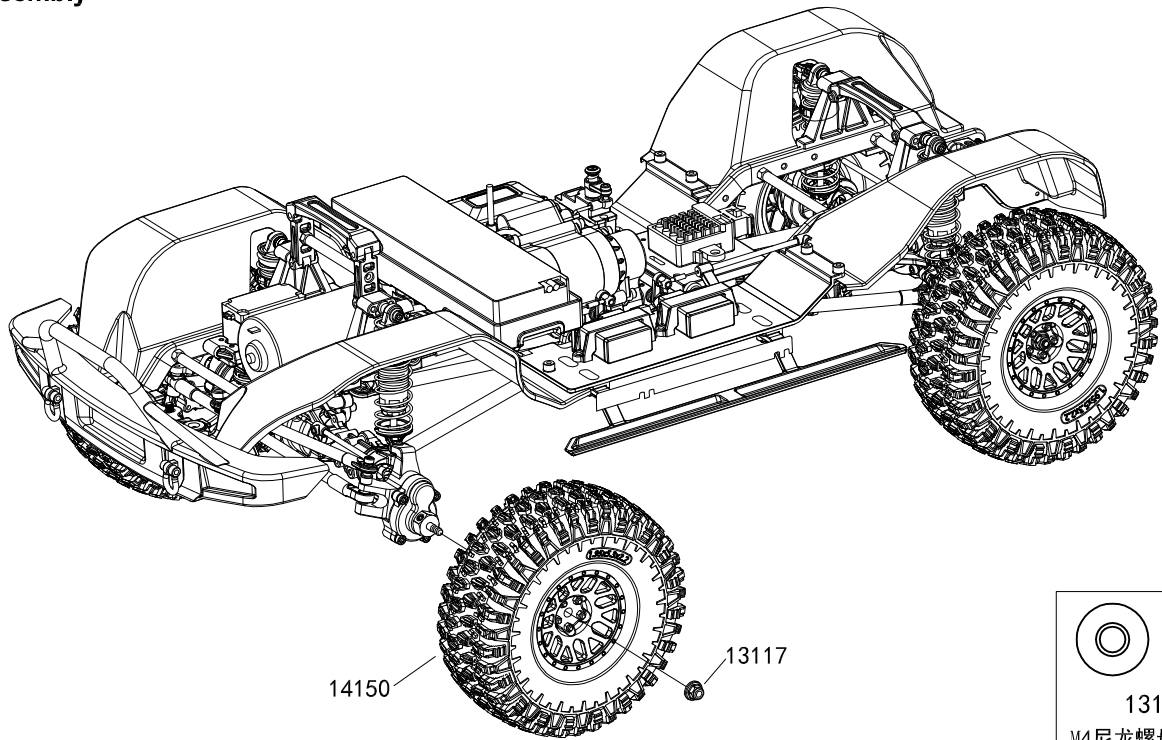


Body Assembly

车壳组装

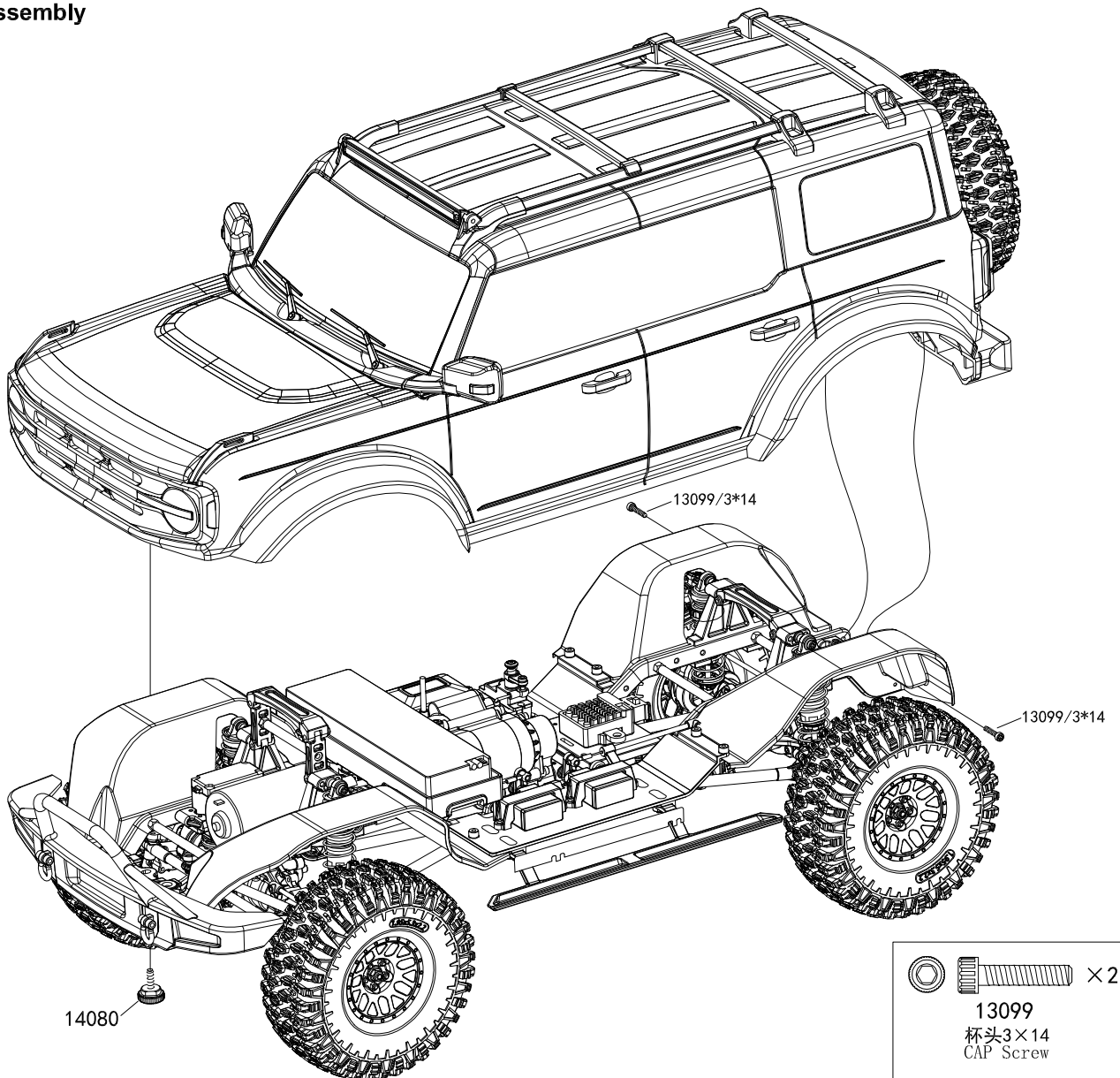


Tires Assembly
 轮胎安装



13117
 M4尼龙螺母 Lock NUT

Body Assembly
 车壳组

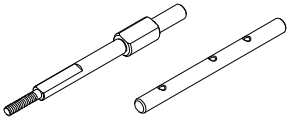
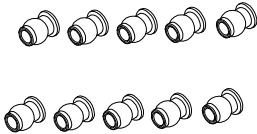
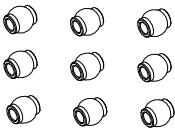
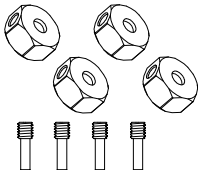
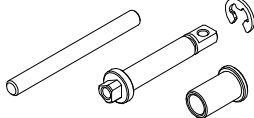
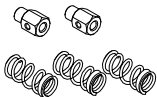
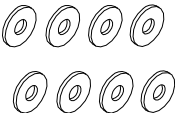
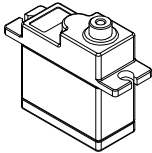
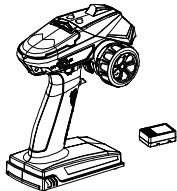
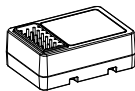
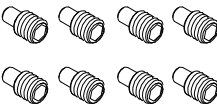
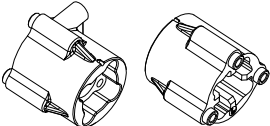
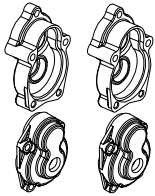
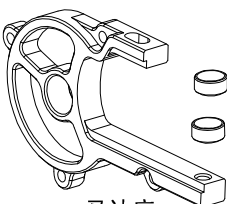


13099
 杯头3×14
 CAP Screw

配件表 Parts List

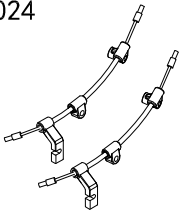
<p>14001</p>  <p>桥箱 Portal Axle Housing</p>	<p>14120</p>  <p>拉杆固定座 Linkage Mount</p>	<p>14002</p>  <p>C座 C Hub set</p>	<p>13003</p>  <p>轮轴座 Wheel Axle Mounting</p>
<p>13004</p>  <p>减速箱 Reduction Gearbox</p>	<p>13005</p>  <p>减速箱安装座 Reduction Gearbox Mount</p>	<p>13007</p>  <p>避震座 Shock Absorber Mount</p>	<p>13008</p>  <p>电池盒 Battery Case</p>
<p>13009</p>  <p>接收机盒 Receiver Case Set</p>	<p>13010</p>  <p>舵机座 Servo Mount</p>	<p>13014</p>  <p>拉杆球头座组 Ball Linkage Ends</p>	<p>13015</p>  <p>伺服臂组 Servo Arm Sets</p>
<p>13016</p>  <p>高低速拨叉 Speed Conversion Paddles</p>	<p>13017</p>  <p>差速壳 Differential Case</p>	<p>13019</p>  <p>减速大齿 Super Gear</p>	<p>13027</p>  <p>差速齿轮组 Differential Gears</p>
<p>13028</p>  <p>从动齿轮34T 34T Gear</p>	<p>13029</p>  <p>差速器 Differential Set</p>	<p>13030</p>  <p>差速锁紧座 Differential Lock Mounting</p>	<p>13031</p>  <p>轮轴齿轮28T/18T Wheel Axle Gears</p>
<p>13032</p>  <p>主动齿11T 11T Gear</p>	<p>13033</p>  <p>差速锁拨片 Differential Lock Paddles</p>	<p>13034</p>  <p>传动齿轮轴 Wheel Axle</p>	<p>13036</p>  <p>差速接杯 Differential Outdrives</p>

配件表 Parts List

<p>13037</p>  <p>减速轴 Reduction Shaft</p>	<p>13038</p>  <p>过载保护夹片 Overland Protection Set</p>	<p>13039</p>  <p>传动齿轮轴 Transmission Gear Shaft</p>	<p>13051</p>  <p>避震球头 Shock Absorber Ball End</p>
<p>13052</p>  <p>拉杆球头 Linkage Ball End</p>	<p>13057</p>  <p>铝合金六角轮座 Aluminum Hex Nuts</p>	<p>13059</p>  <p>换速轴组 Speed Conversion Axle</p>	<p>13060</p>  <p>高低速拉杆 Speed Conversion Linkage</p>
<p>13061</p>  <p>舵机缓冲组 Servo Saver</p>	<p>13068</p>  <p>垫片6*2.5*0.5 Shims</p>	<p>13069</p>  <p>垫片8*5.1*0.2 Shims</p>	<p>13150</p>  <p>后横轮轴 Rear wheel Axle</p>
<p>13119</p>  <p>17G舵机 Servo</p>	<p>13130</p>  <p>发射机6通和接收机 6 Channel Transmitter & Receiver Set</p>	<p>13132</p>  <p>接收机 Receiver</p>	<p>13199</p>  <p>铝合金垫片 Alu Shims</p>
<p>13638</p>  <p>螺丝轴 Screw Axle</p>	<p>14004</p>  <p>左右护板 Left and Right Guard Board</p>	<p>14011</p>  <p>后桥连接块 Rear axle connector</p>	<p>14012</p>  <p>后轮轴座 Rear hub</p>
<p>14019</p>  <p>横万向传动轴 Horizontal Universal Shaft</p>	<p>14020</p>  <p>转向减震器 Steering Shock Absorber</p>	<p>14021</p>  <p>马达座 Motor Mount</p>	<p>14022</p>  <p>马达调整座 Motor Adjustment Mouting</p>

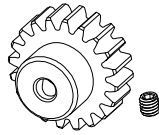
配件表 Parts List

14024



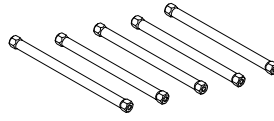
差速锁拉绳组
Differential Lock WiresF

14025



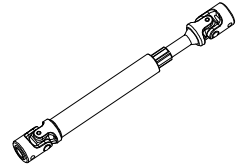
马达齿18T (轴孔5mm)
18T Pinion Gear

14027



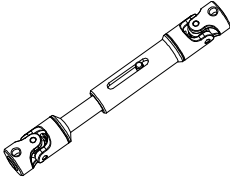
大梁支撑杆
Frame brace

14029



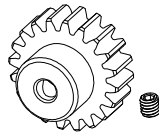
钢制纵万向传动轴
Steel Vertical Universal Shaft

14030



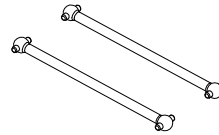
铝合金纵万向传动轴
Aluminum Vertical Universal Shaft

14031



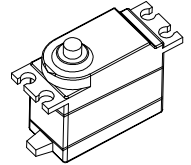
马达齿16T (轴孔5mm)
16T Pinion Gear

14047



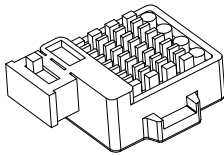
后横传动轴
Rear driveshaft

14060



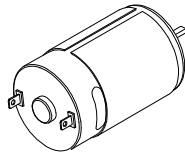
25KG舵机
Servo

14061



80A有刷电调
80A Brushed ESC

14062



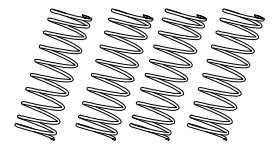
775有刷马达
Brushed Motor

14067



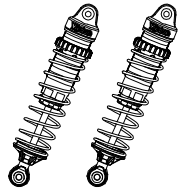
避震轴心
Shock Absorber shaft

14068



避震弹簧
Shock absorber springs

14069



避震器组
Shock absorber set

14080



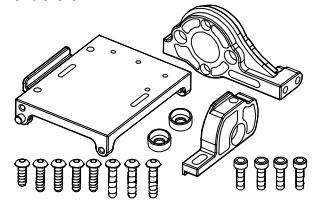
车壳固定螺栓
Body shell Fixed Bolt

14103



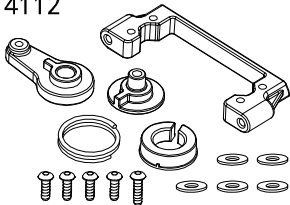
避震上固定座
Shock upper mount

14111



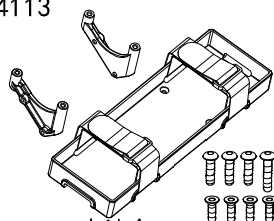
马达固定座/电调安装板
Motor Mounting/ESC Mounting Plate

14112



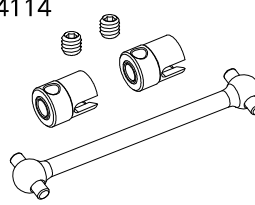
伺服臂组
Servo Arm Sets

14113



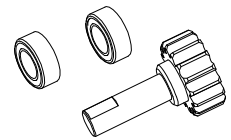
电池盒
Battery Case

14114



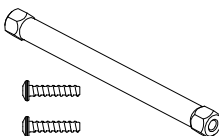
接杯/狗骨组
Drive Shaft Outdrives

14115



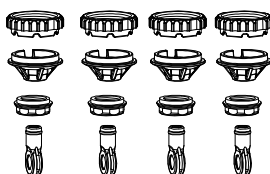
马达齿16T
Pinion Gear

14117



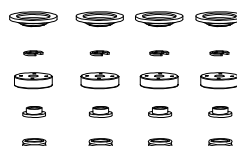
大梁支撑杆
Frame brace

14121



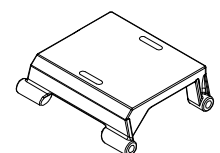
避震零件包A
Shock parts pack A

14122



避震零件包B
Shock parts pack B

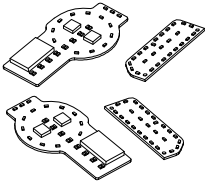
14123



车架固定座
Chassis Mount

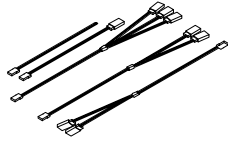
配件表 Parts List

14124



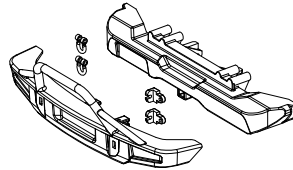
LED灯板
LED Strip

14125



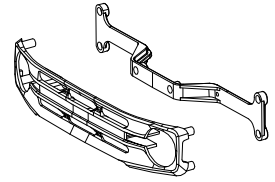
全车灯线组
Lights Wiring Harness set

14126



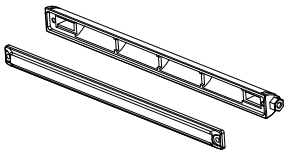
防撞架
Bumper

14127



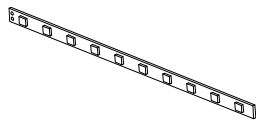
中网
Air Grill

14128



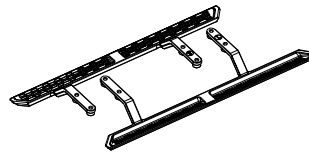
灯条固定座
Light Bar Mount

14129



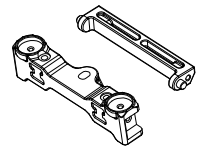
LED灯条
LED Strip

14130



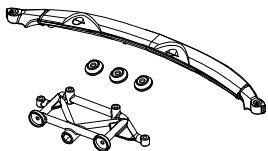
脚踏板
Foot readles

14131



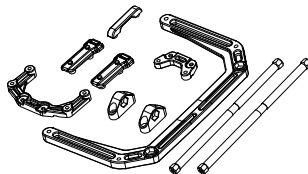
车架固定座
Chassis Mount

14132



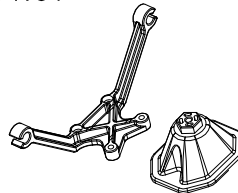
后视镜固定座
Rearview Mirror Mount

14133



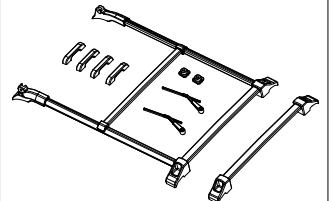
车壳后支撑
Body shell rear poet

14134



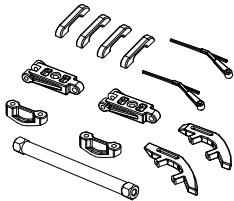
备胎架组
Spare tire rack

14135



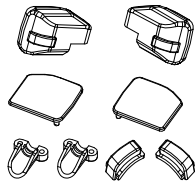
行李架
Roof Rack

14136



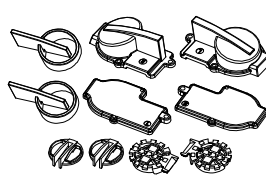
车壳配件组
Body Accessory Parts

14137



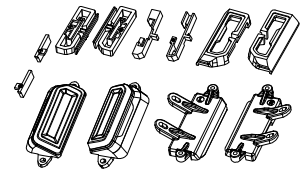
后视镜配件组
Rearview Mirror Parts Set

14138



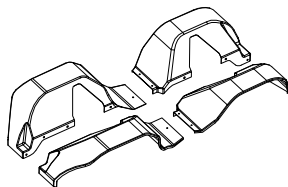
前大灯组
Head Light Set

14139



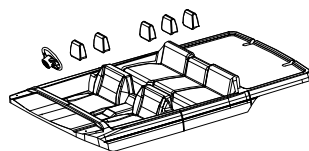
尾灯组
Tail Light Set

14140



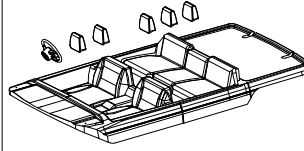
沙板
Wheel Fender

14141



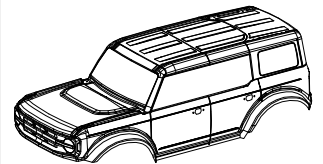
喷油驾驶舱PC
Paint Driver Insert PC Panel

14142



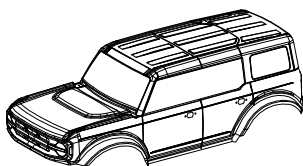
透明驾驶舱PC
Transparent Cockpit

14143



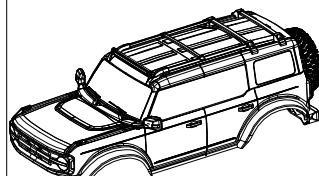
喷油车壳PC
Body shell

14144



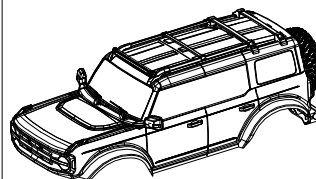
透明车壳PC
Transparent Bodysell

14145



喷油车壳组
Body Assembly

14146



透明车壳组
Transparent Body Assembly

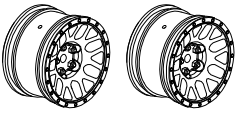
14147



车壳磁铁扣
Bodysell Magnet Button

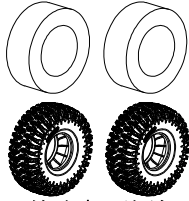
配件表 Parts List

14148



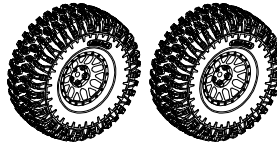
轮框
Gray Rims

14149



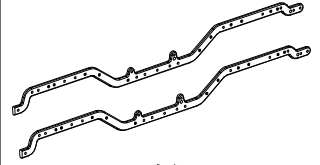
轮胎皮, 海绵
Tires & Foams

14150



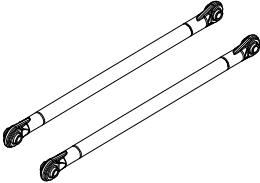
轮胎组
Wheels

14151



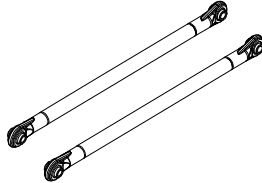
大梁
Chassis Frame

14155



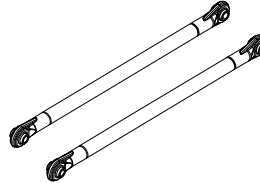
拉杆前上 (SUS304)
Linkage front upper (SUS304)

14156



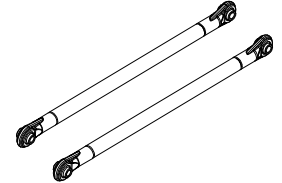
拉杆前下 (SUS304)
Linkage front lower (SUS304)

14157



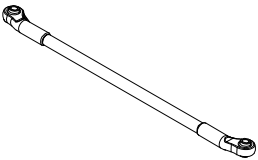
拉杆后上 (SUS304)
Linkage rear upper (SUS304)

14158



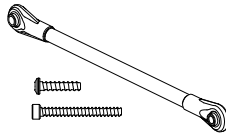
拉杆后下 (SUS304)
Linkage rear lower (SUS304)

14159



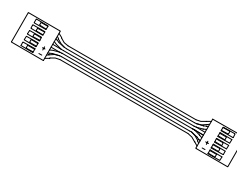
转向拉杆 (SUS304)
Steering Linkage (SUS304)

14160



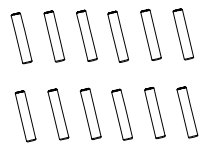
伺服拉杆 (SUS304)
Servo Linkage (SUS304)

14161



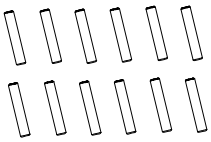
灯组排线
Lights Flat Cable

13074



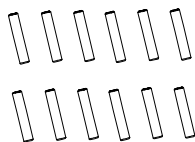
2*8销子
Pins

13075



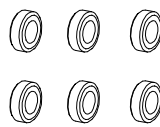
2*10销子
Pins

13077



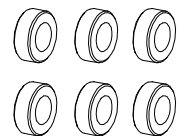
2.5*10销子
Pins

13078



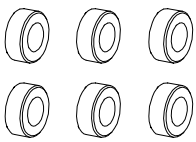
轴承7*4*2.5
Ball Bearing

13079



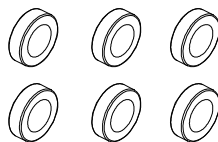
轴承9*5*3
Ball Bearing

13080



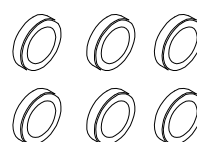
轴承10*5*4
Ball Bearing

13081



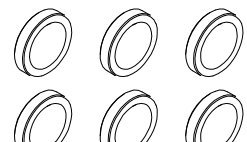
轴承14*8*4
Ball Bearing

13082



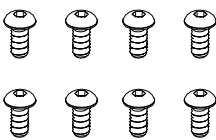
轴承18*12*4
Ball Bearing

13083



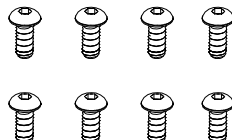
轴承21*15*4
Ball Bearing

13084



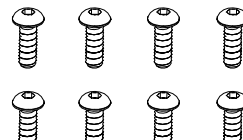
盘头内六角螺丝M3*6
Button Head Screws

13086



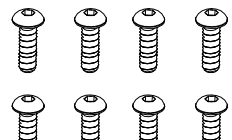
盘头内六角螺丝M3*8
Button Head Screws

13087



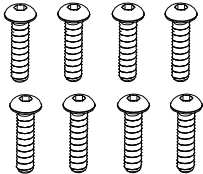
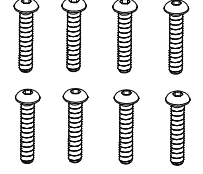
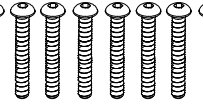
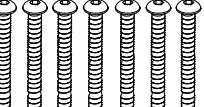
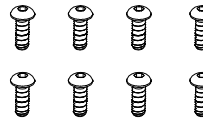
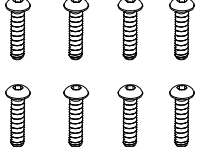
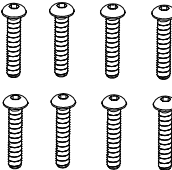
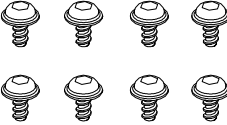
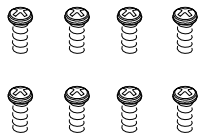
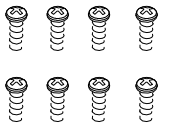
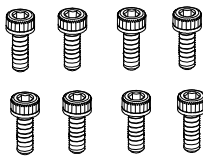
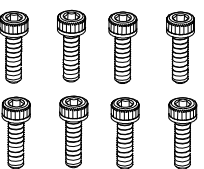
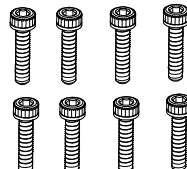
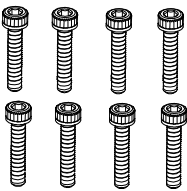
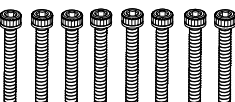
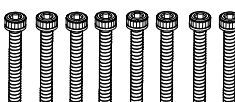

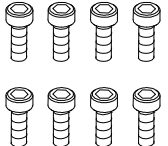
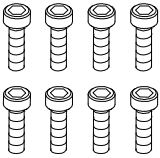
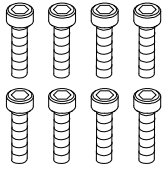
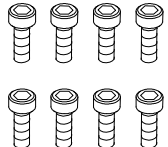
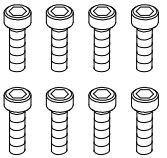

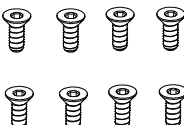
盘头内六角螺丝M3*10
Button Head Screws

13088

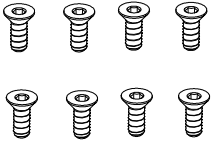
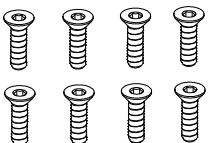
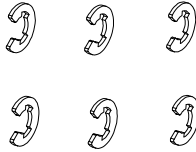
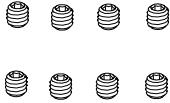
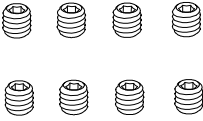
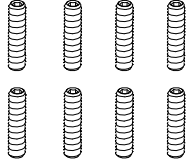
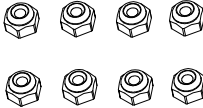
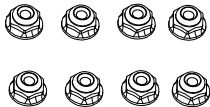
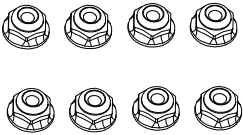

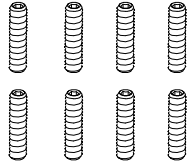
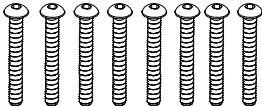
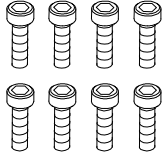
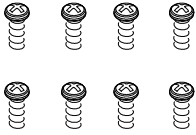
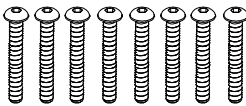
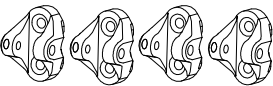
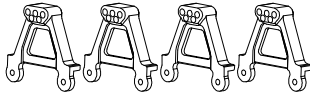
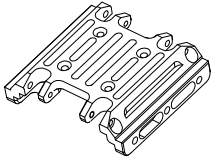
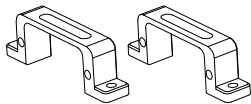
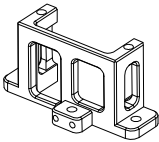
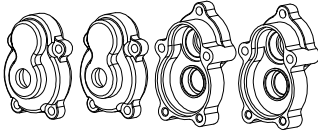

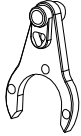


盘头内六角螺丝M3*12
Button Head Screws

配件表 Parts List

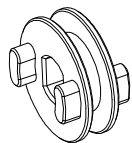
<p>13089</p>  <p>盘头内六角螺丝M3*14 Button Head Screws</p>	<p>13090</p>  <p>盘头内六角螺丝M3*16 Button Head Screws</p>	<p>13091</p>  <p>盘头内六角螺丝M3*18 Button Head Screws</p>	<p>13092</p>  <p>盘头内六角螺丝M3*25 Button Head Screws</p>
<p>13094</p>  <p>盘头内六角螺丝M2.5*8 Button Head Screws</p>	<p>13095</p>  <p>盘头内六角螺丝M2.5*14 Button Head Screws</p>	<p>13159</p>  <p>盘头内六角螺丝M2.5*16 Button Head Screws</p>	<p>13177</p>  <p>盘头内六角螺丝M2*4 Button Head Screws</p>
<p>13183</p>  <p>盘头十字自攻牙螺丝ST2.5*6 Button head Self-tapping screws</p>	<p>14091</p>  <p>盘头十字自攻牙螺丝ST2.5*8 Button head Self-tapping screws</p>	<p>13097</p>  <p>杯头内六角螺丝M3*10 Cap Head Screws</p>	<p>13098</p>  <p>杯头内六角螺丝M3*12 Cap Head Screws</p>
<p>13099</p>  <p>杯头内六角螺丝M3*14 Cap Head Screws</p>	<p>13100</p>  <p>杯头内六角螺丝M3*18 Cap Head Screws</p>	<p>13101</p>  <p>杯头内六角螺丝M3*24 Cap Head Screws</p>	<p>13102</p>  <p>杯头内六角螺丝M3*28 Cap Head Screws</p>
<p>13103</p>  <p>杯头内六角螺丝M3*32 Cap Head Screws</p>	<p>14050</p>  <p>杯头内六角螺丝M4*8 Cap Head Screws</p>	<p>14051</p>  <p>杯头内六角螺丝M4*10 Cap Head Screws</p>	<p>13222</p>  <p>杯头内六角螺丝M4*16 Cap Head Screws</p>
<p>13180</p>  <p>杯头内六角螺丝M2.5*10 Cap Head Screws</p>	<p>14099</p>  <p>杯头内六角螺丝M2.5*12 Cap Head Screws</p>	<p>14100</p>  <p>杯头内六角螺丝M2*6 Cap Head Screws</p>	<p>13104</p>  <p>平头内六角螺丝M2.5*6 Flat Head Screws</p>

配件表 Parts List

<p>13107</p>  <p>平头内六角螺丝M3*8 Flat Head Screws</p>	<p>13108</p>  <p>平头内六角螺丝M3*12 Flat Head Screws</p>	<p>13111</p>  <p>4.0E扣 E Clip</p>	<p>13112</p>  <p>机米3*3 Headless Screws</p>
<p>13113</p>  <p>机米4*4 Headless Screws</p>	<p>13114</p>  <p>机米3*20 Headless Screws</p>	<p>13115</p>  <p>M3尼龙螺母 Lock Nuts</p>	<p>13116</p>  <p>M3法兰螺母 Flange Lock Nuts</p>
<p>13117</p>  <p>M4法兰螺母 Flange Lock Nuts</p>	<p>14104</p>  <p>杯头内六角螺丝M3*22 Cap Head Screws</p>	<p>14152</p>  <p>机米4*20 Headless Screws</p>	<p>14153</p>  <p>盘头内六角螺丝M3*30 Button Head Screws</p>
<p>14154</p>  <p>杯头内六角螺丝M4*12 Cap Head Screws</p>	<p>14162</p>  <p>盘头十字自攻牙螺丝ST2*6 Button head Self-tapping screws</p>	<p>14163</p>  <p>盘头内六角螺丝M3*25 Button Head Screws</p>	
<p>12004</p>  <p>CNC铝合金拉杆固定座 Alu Linkage Mount</p>	<p>12005</p>  <p>CNC铝合金避震座 Alu Shock Tower</p>	<p>12006</p>  <p>CNC铝合金中安装座 Alu Gear Box Mount</p>	<p>12007</p>  <p>CNC铝合金差速锁舵机座 Alu Differential Lock Servo Mount</p>
<p>12008</p>  <p>CNC铝合金高低速舵机座 Alu Servo Mount for 2-Speed Gear Box</p>	<p>12011</p>  <p>CNC铝合金后轴承座 Alu Rear Hub Set</p>	<p>12014</p>  <p>CNC铝合金转向座左/右 Alu Steering Mount L/R</p>	<p>12015</p>  <p>CNC铝合金变速拨叉 Alu Gear Shift Fork</p>

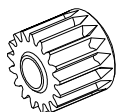
配件表 Parts List

12016



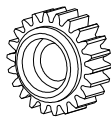
CNC 铝合金变速座
Alu Gear Shift Mount

12017



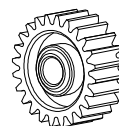
钢制传动齿轮17T
Steel Transmission Gear 17T

12018



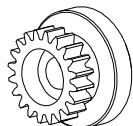
钢制传动齿轮22T
Steel Transmission Gear 22T

12019



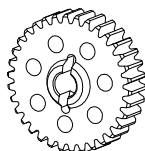
钢制传动齿轮24T
Steel Transmission Gear 24T

12020



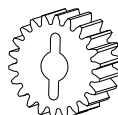
钢制低速齿轮20T
Steel Low-Speed Gear 20T

12021



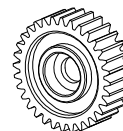
钢制低速齿轮34T
Steel Low-Speed Gear 34T

12022



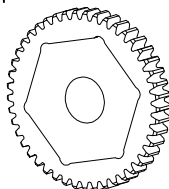
钢制高速齿轮22T
Steel High-Speed Gear 20T

12023



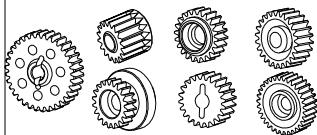
钢制高速齿轮32T
Steel High-Speed Gear 32T

12024



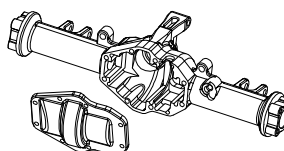
钢制减速大齿轮45T
Steel Reduction Gear 45T

12025



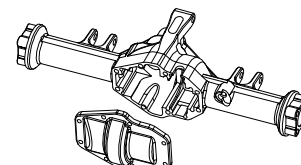
钢制齿轮组
Steel Transmission Gear Set

12026



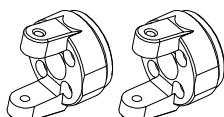
CNC 铝合金前桥箱
Alu Diff Gear Box for Front Axle

12027



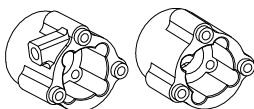
CNC 铝合金后桥箱
Alu Diff Gear Box for Rear Axle

12028



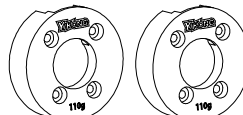
CNC 铝合金C座
Alu Caster Block

12029



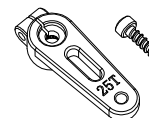
CNC 铝合金后轴转接座
Alu Rear Axle Adapter L/R

13195



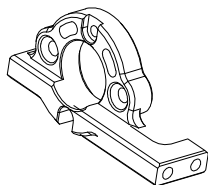
CNC 配重块/110克
Metal Clump Weight

12030



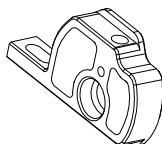
CNC 铝合金伺服臂25T
Alu Servo Arm 25T

12038



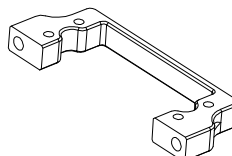
CNC 铝合金马达固定座
Alu Motor Mount

12039



CNC 铝合金调整座
Alu Adjustment Mounting

12040



CNC 铝合金转向舵机座
Alu Steering Servo Mount