

HORRI-BULL

BODY SHELL

NO.48331

killerbody™

1/10 RC PLANNING INSTRUCTION SHEET

This body can be used with 1/10 Scale Crawler (Long Wheelbase: 313mm Width: 220mm)
Fit for Axial 2012 Jeep Wrangler Rubicon

Before beginning assembly, please read these instructions thoroughly!

● Symbols used throughout the instruction manual, comprise:



Cut off shaded portion.



5mm
Drill holes with
the specified diameter.



Pay close attention here!



Must be purchased
separately.



Assemble left and right sides
the same way.



● Before Assembly

Decoration Body

- ▶ In the case of a decoration body, please assemble it according to the contents showed.

When making the window transparent:

- ▶ If you want to make the window transparent with a non decoration body, please assemble it according to the contents showed.

Non Decoration Body

- ▶ In the case of non decoration body, please assemble it according to the contents showed.

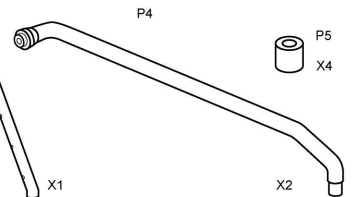
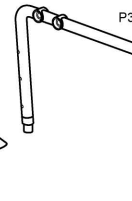
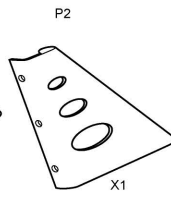
When loading LED lights

- ▶ If you want to load LED lights with a non decoration body, please assemble it according to the contents showed.

PARTS

BODY	-----	X1
PLASTIC PARTS	-----	X1
PC PARTS	-----	X1
DECAL SHEET	-----	X2
LOGO DECAL SHEET	-----	X1
WINDOW MASKS	-----	X1
TAPPING SCREW	-----	X8

PLASTIC PARTS

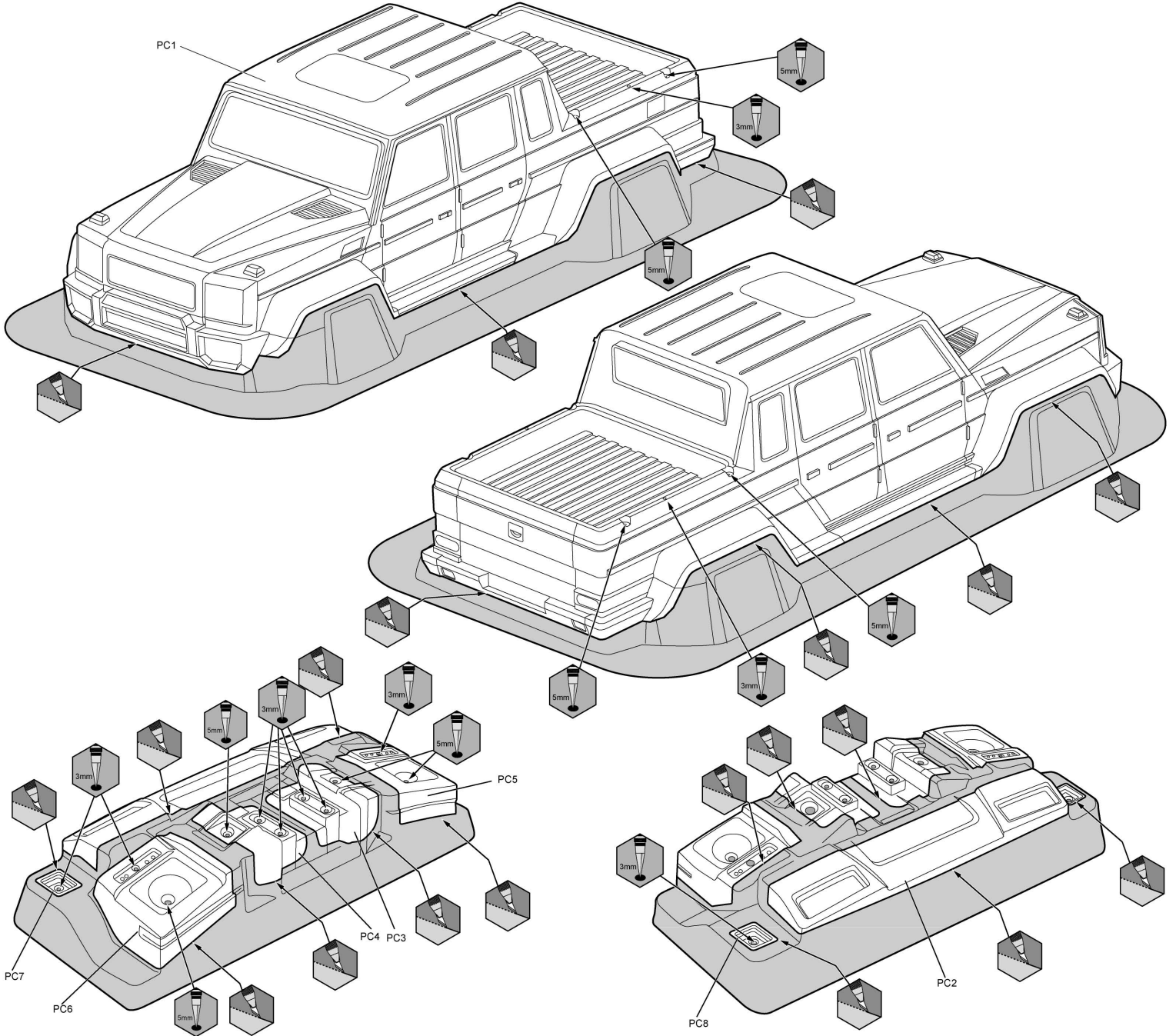


1 Body Shell

When making the window transparent:

Non Decoration Body

When loading LED lights



2 Painting

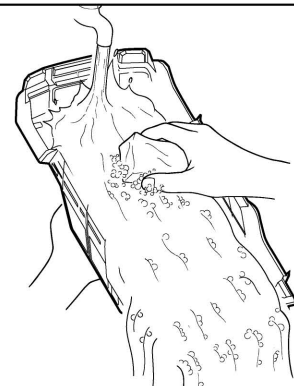
Non Decoration Body

When loading LED lights

PC1 PC2

- Before painting, use a neutral detergent to remove any oil residues and dirt.

When making the window transparent:

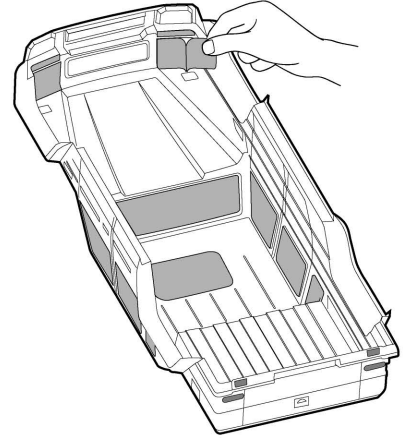
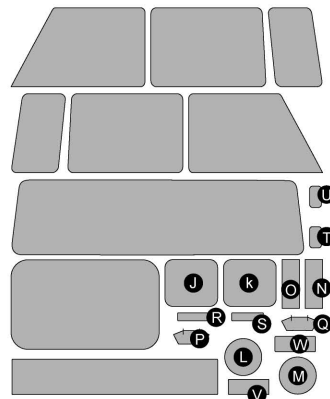
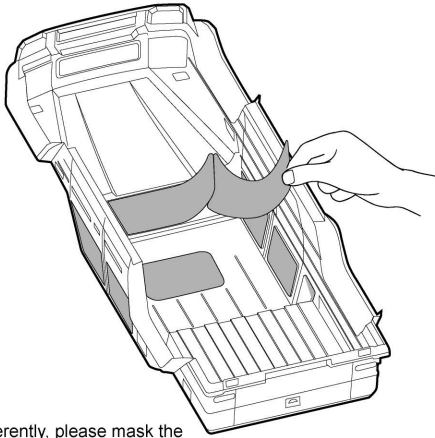
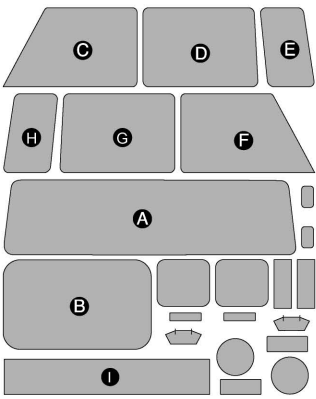


When making the window transparent:

When loading LED lights

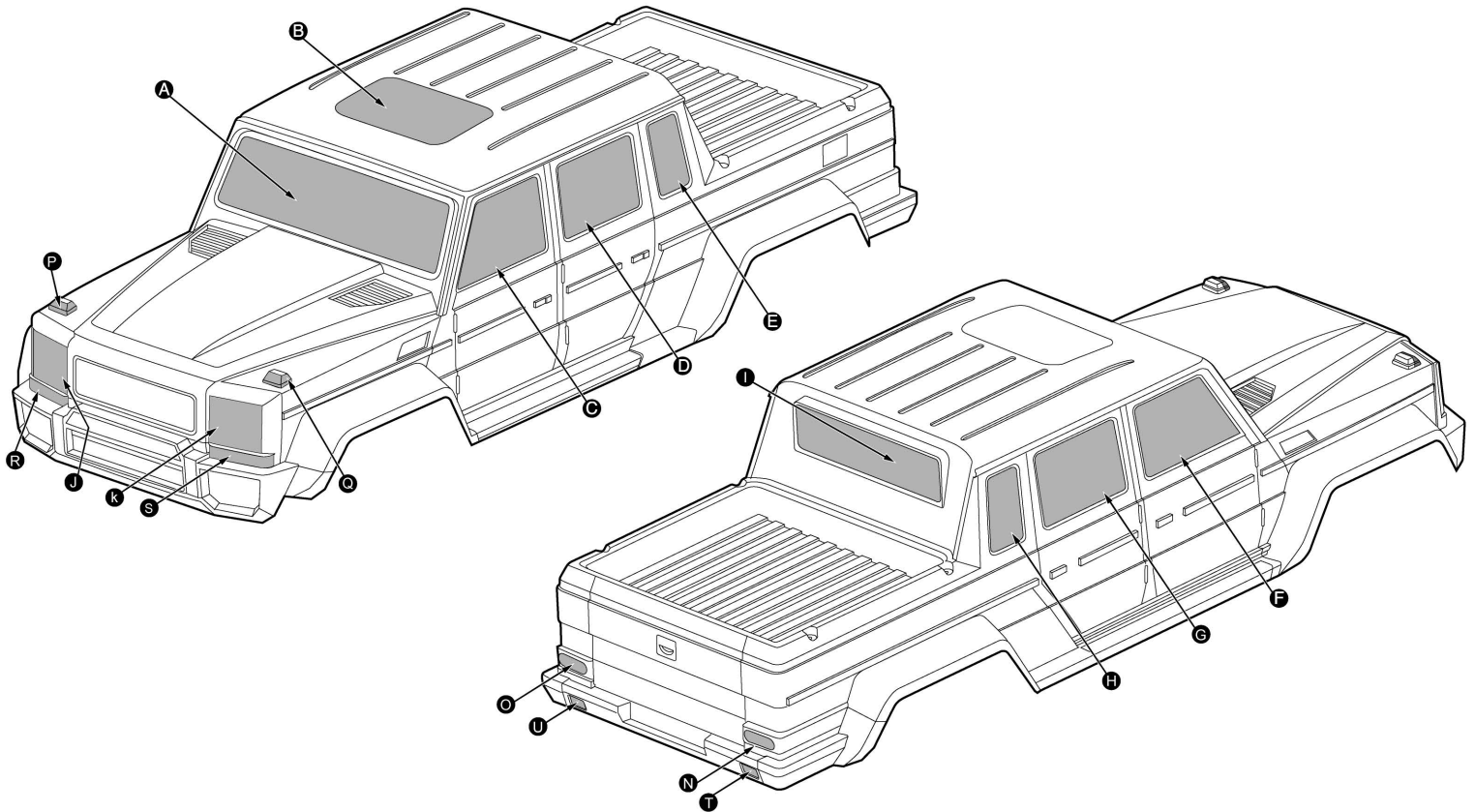
2 Mask the windows from the inside.

2 Mask the lights from the inside.

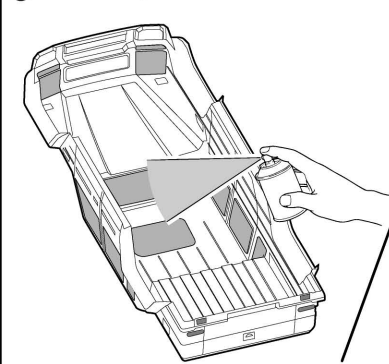


Because car lights modified differently, please mask the overspray film accordingly to the light style you need to modified.

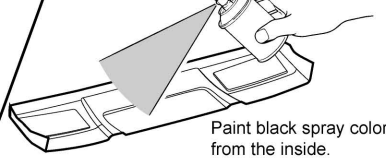
J k → L M R S → V W



3 Paint the body shell from the inside.



PC2



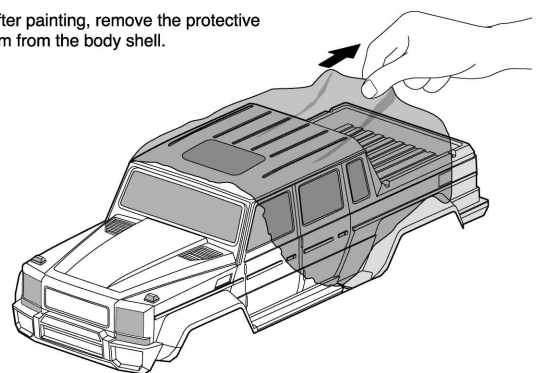
Paint black spray color from the inside.

PC3 PC4 PC5 PC6 PC7 PC8



Light bucket need to spray the chromed paint.

4 After painting, remove the protective film from the body shell.



3 Decal

Non Decoration Body

When making the window transparent

When loading LED lights

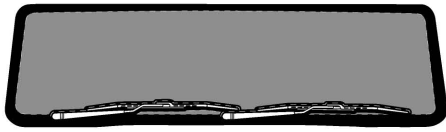
► The decal numbers between brackets are only for the opposite side.

<Decal>

When making the window transparent



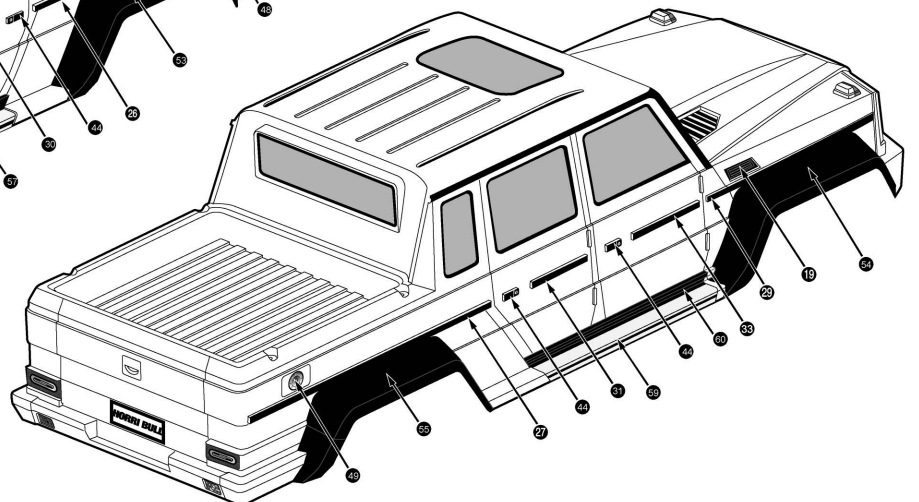
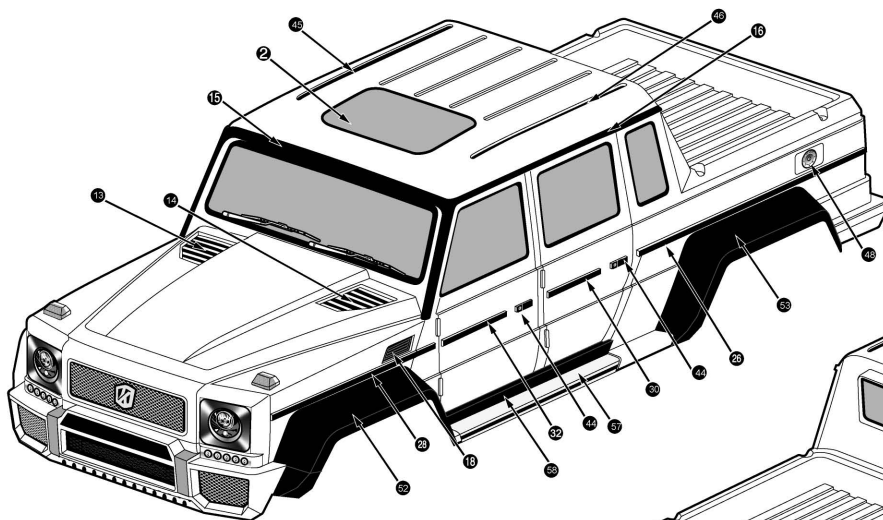
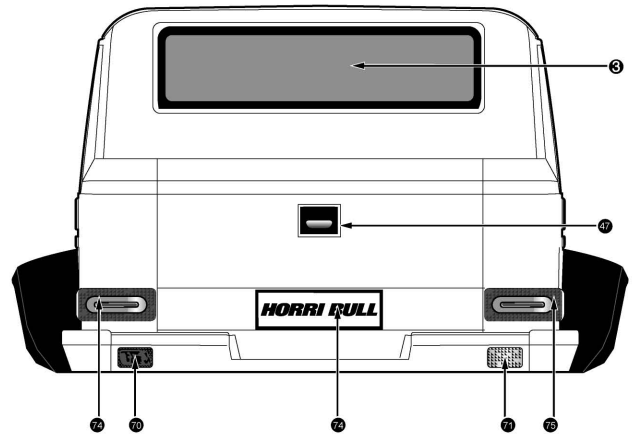
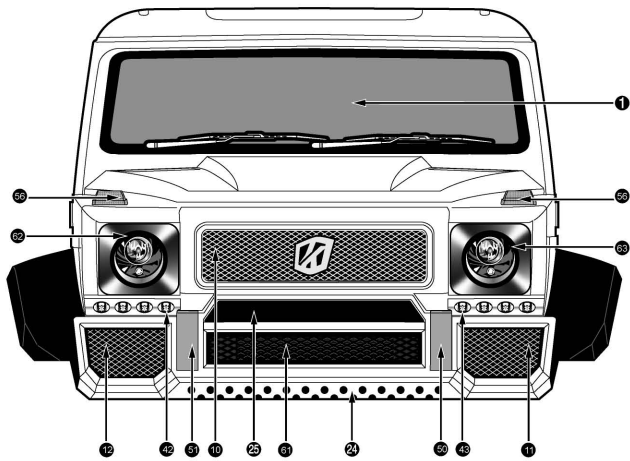
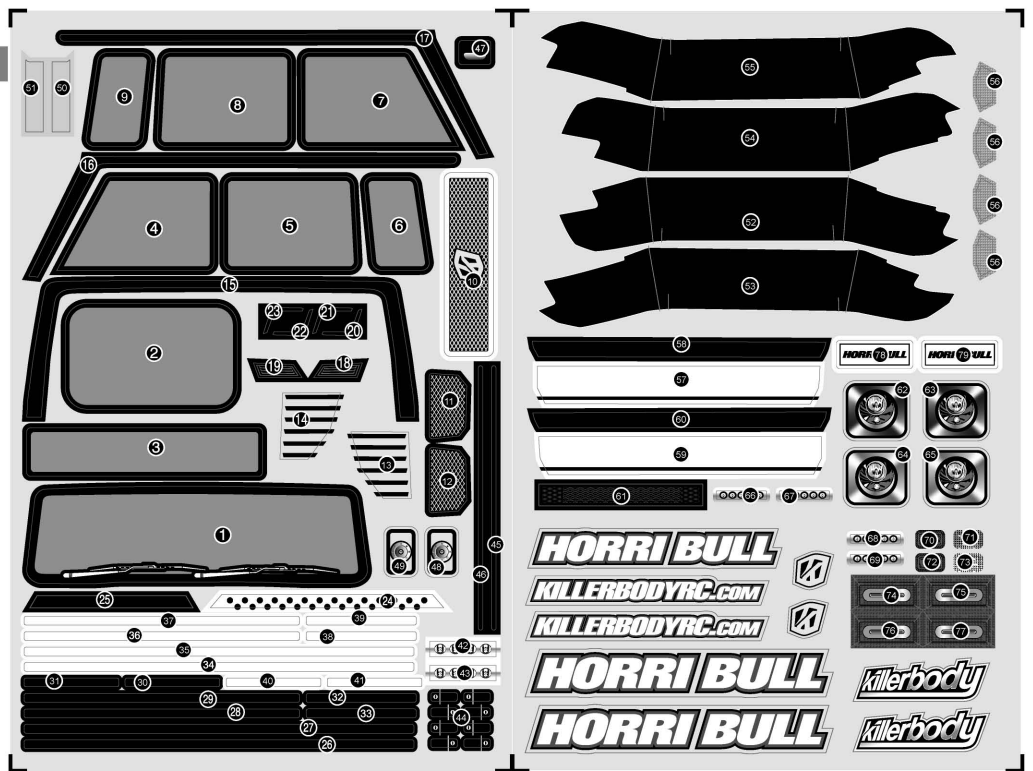
▶ 1 2 3 4 5 6 7 8 9
Cut the translucent (smoked color) part.



When reproducing the light by decal

▶ Change the decal according to the following contents.

- | | | | | | | | | | | | |
|----|----|----|----|----|----|----|----|----|----|----|----|
| 25 | 27 | → | 34 | 35 | 28 | 29 | → | 36 | 37 | | |
| 38 | 31 | → | 40 | 41 | 32 | 33 | → | 38 | 39 | | |
| 42 | 43 | 36 | 37 | → | 38 | 39 | 35 | 37 | → | 38 | 39 |
| 32 | 33 | → | 38 | 39 | 74 | 75 | → | 76 | 77 | | |
| 78 | → | 79 | | | | | | | | | |



4 Plastic Parts

Decoration Body

Non Decoration Body

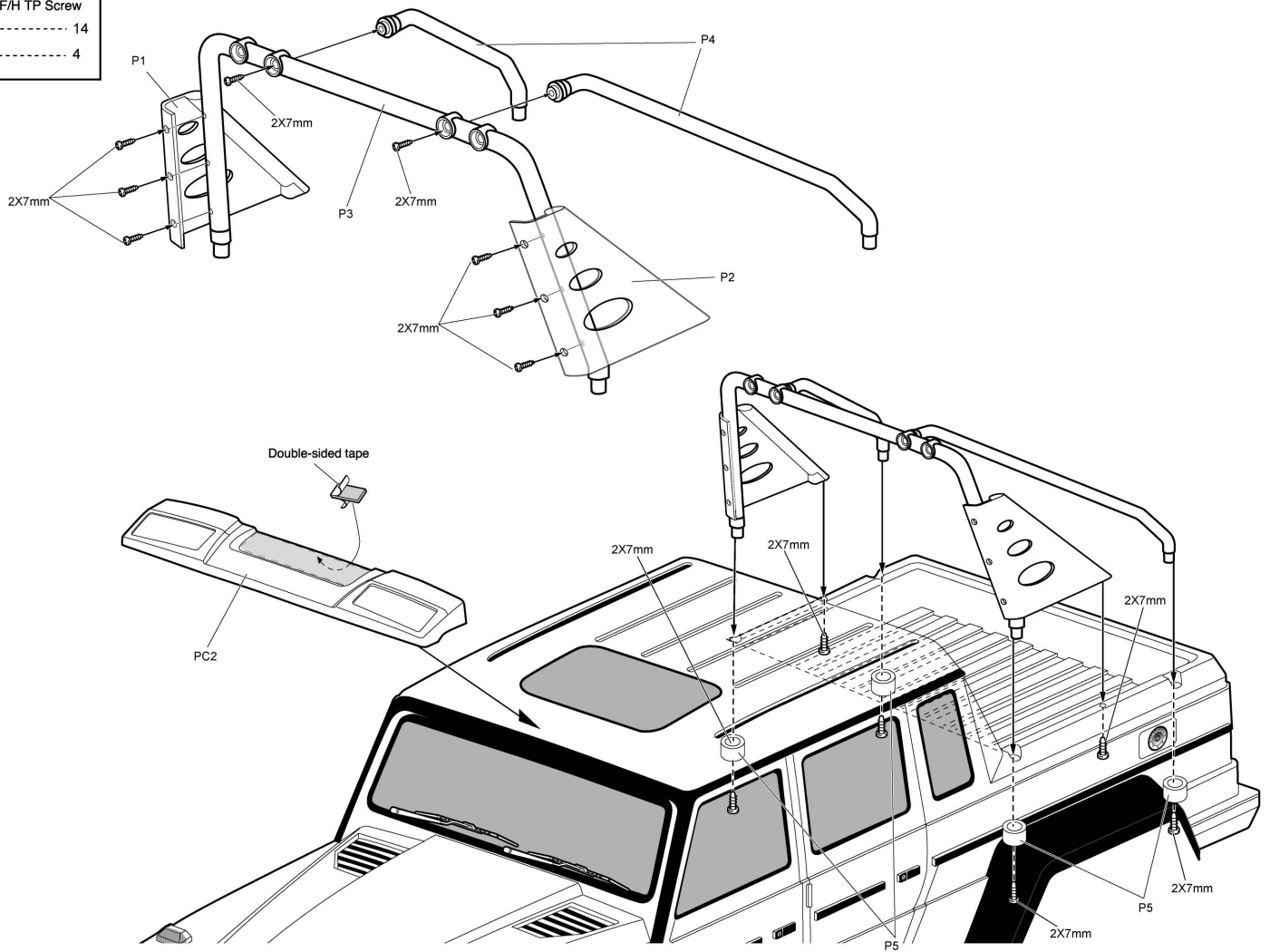
When making the window transparent:

When loading LED lights

2 x 7mm F/H TP Screw

----- 14

----- 4



5 Plastic Parts

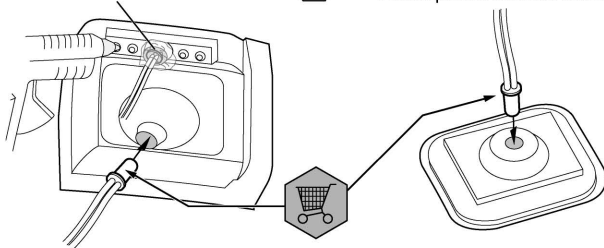
When loading LED lights



- ▶ Please tape the wiring, etc. on the body using the attached aluminum tape.
- ▶ Please put the attached aluminum tape on the top and bottom of the headlight and the taillights.

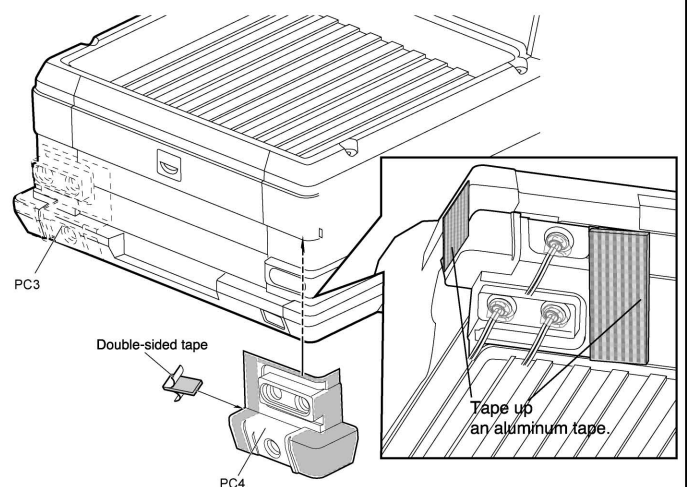
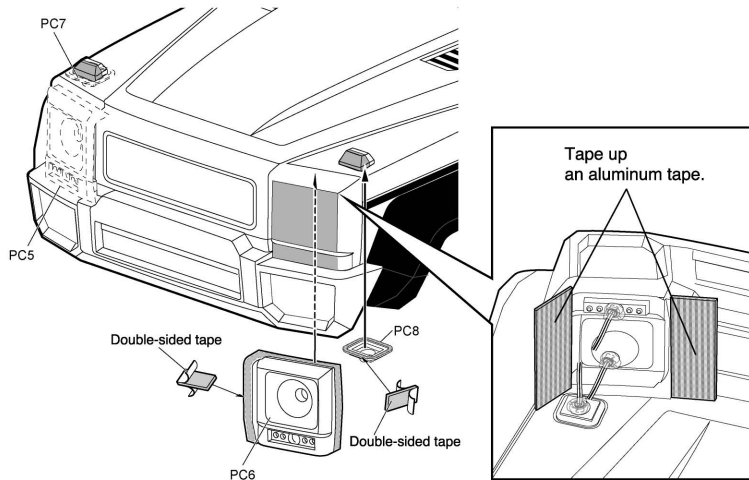
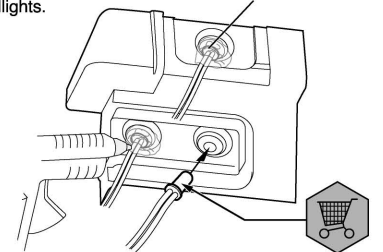
Fixing with glue gun.

Fixing with glue gun.



< Front >

< Rear >



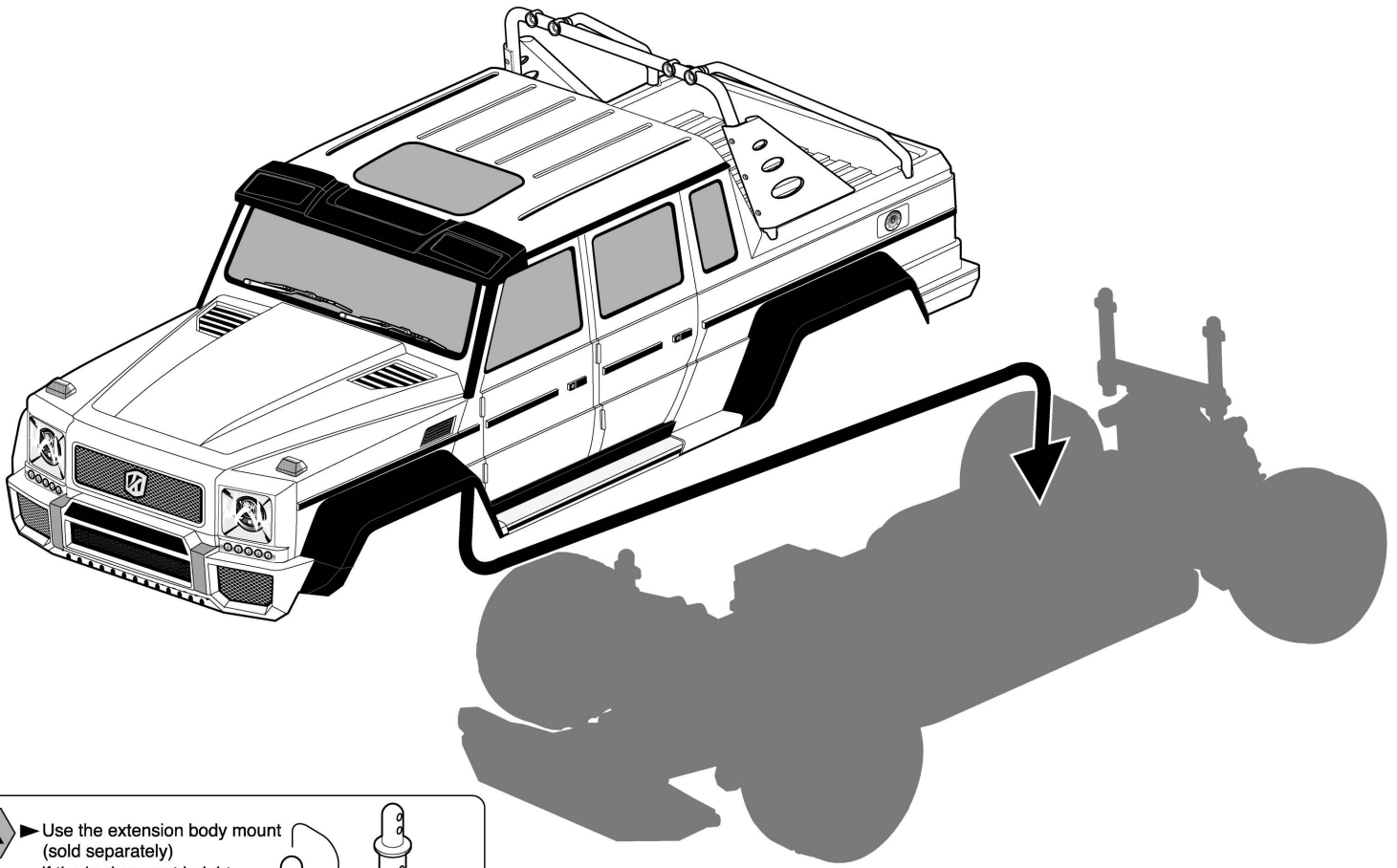
6 Body

Decoration Body

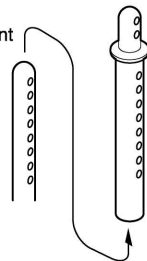
Non Decoration Body

When making the window transparent:

When loading LED lights



Use the extension body mount (sold separately) if the body mount height is not enough.



Upgrade Parts



Accent Light W/SMD LED Unit Set (12 LEDS)

Decoration Body

Non Decoration Body

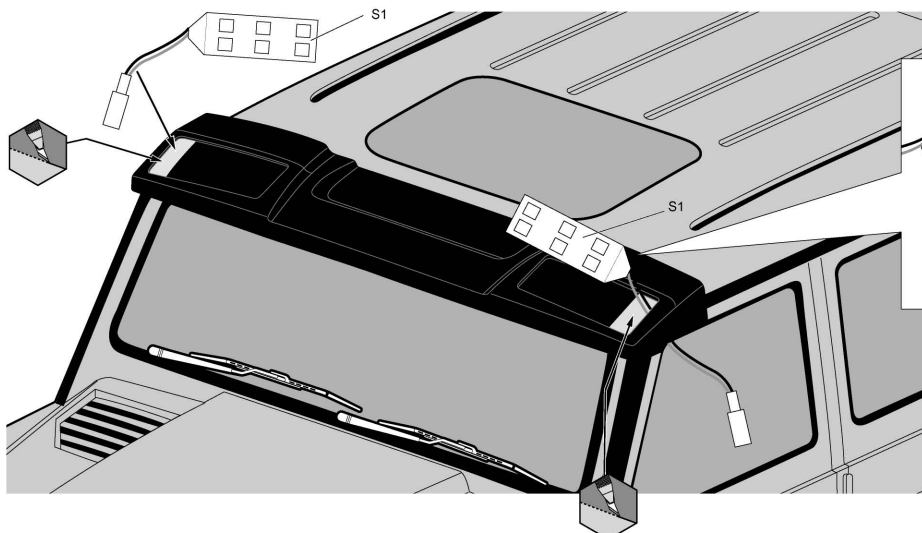
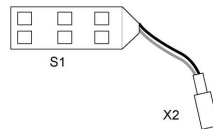
When making the window transparent:

When loading LED lights

NO.48346

PARTS

- SMD LED LIGHT ----- X2
- CONNECTING WIRE----- X2



Remove the double-side tape on the backside.

Accent Light W/SMD LED Unit Set (18 LEDs)

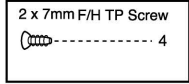
Decoration Body

Non Decoration Body

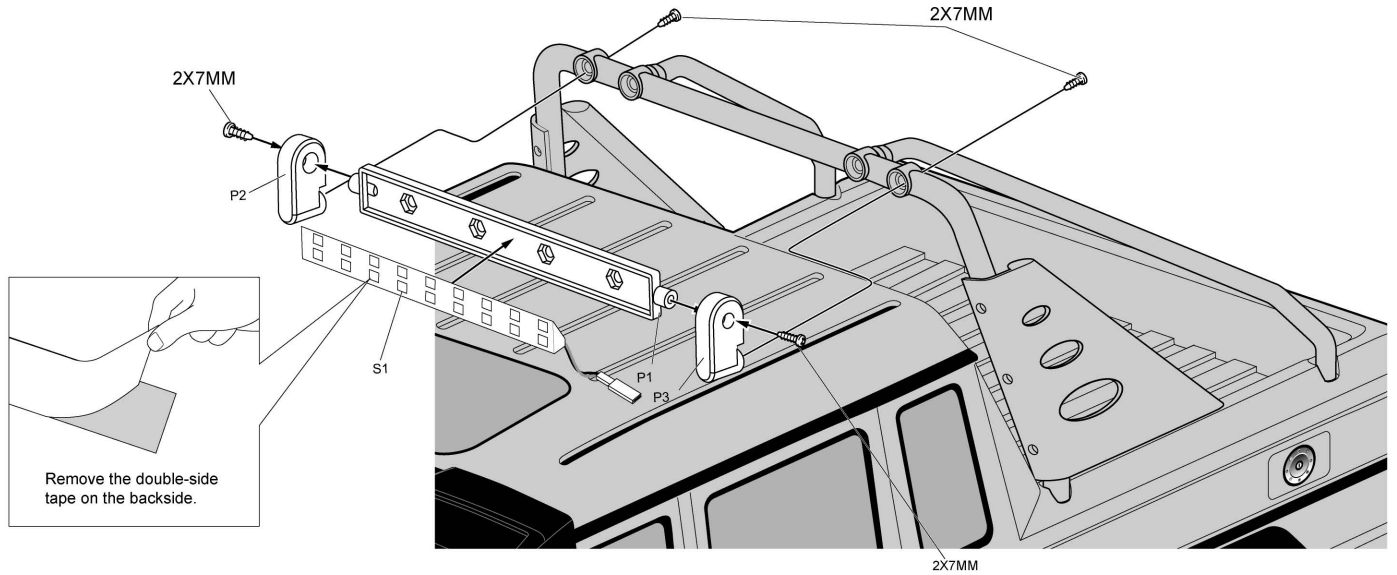
When making the window transparent:

When loading LED lights

NO.48347



PARTS	
PLASTIC PARTS	X1
PARTS BAG	
SMD LED LIGHT	X1
CONNECTING WIRE	X1
TAPPING SCREW	X4



Cockpit Set

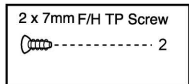
Decoration Body

Non Decoration Body

When making the window transparent:

When loading LED lights

NO.48224

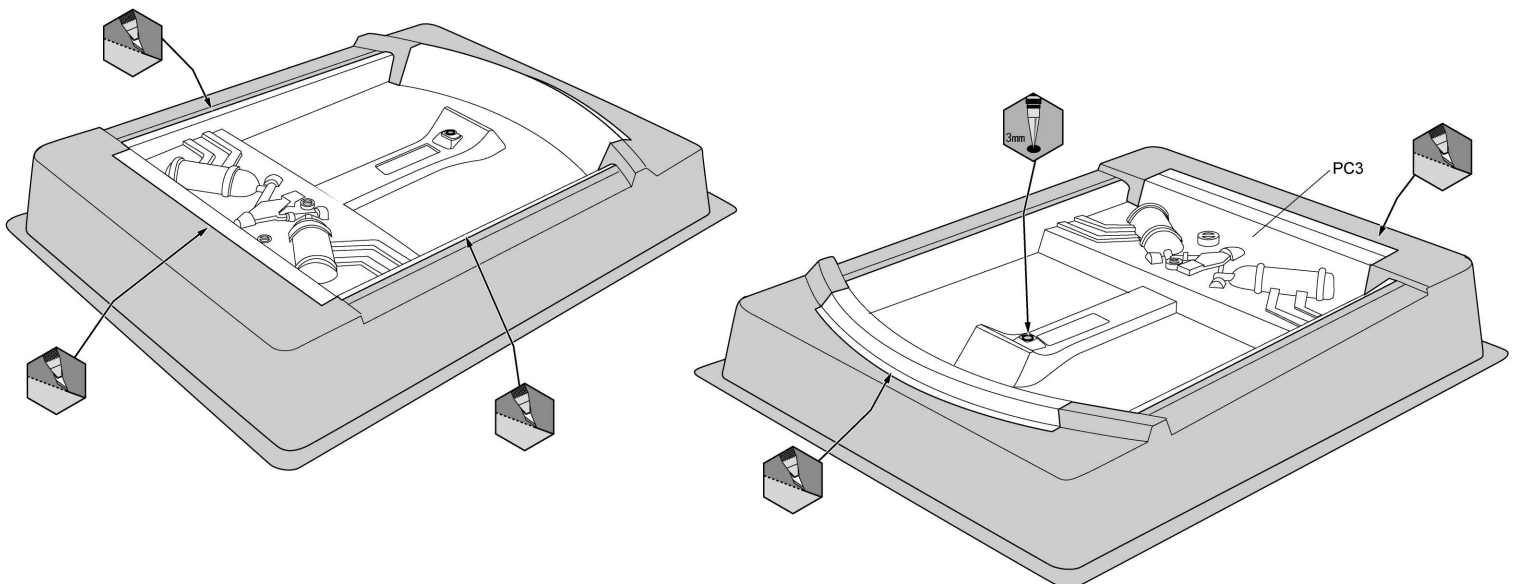


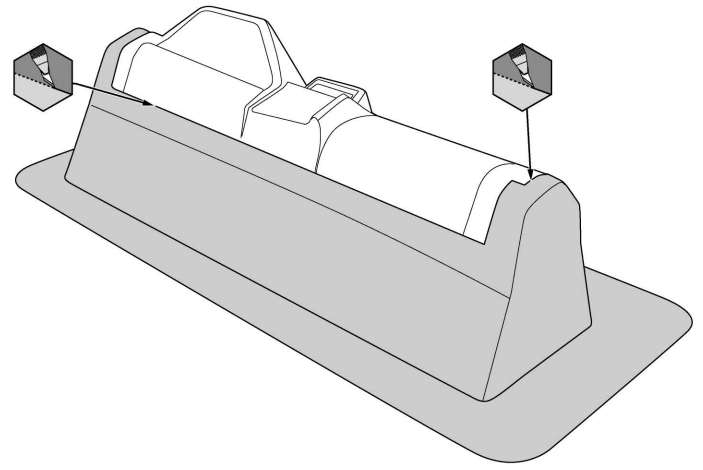
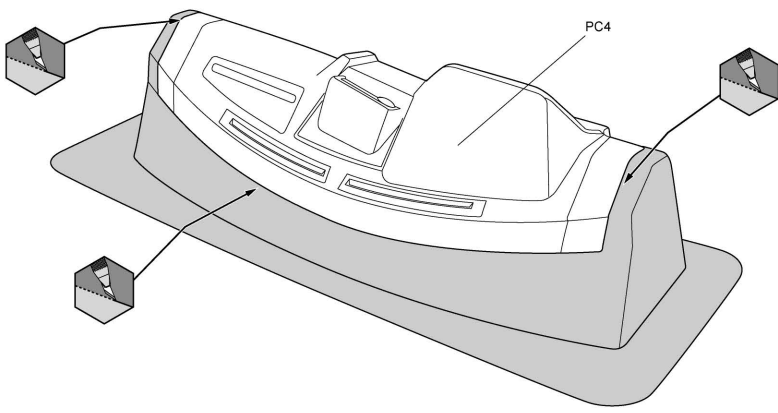
PARTS	
PLASTIC PARTS	X1
PC PARTS	X4
DECAL SHEET	X1
PARTS BAG	
PLASTIC PARTS	X1
DOUBLE-SIDED TAPE	X1
TAPPING SCREW	X2

1 Cutting



This cutted size just for reference, you can cut it according to the actual size.

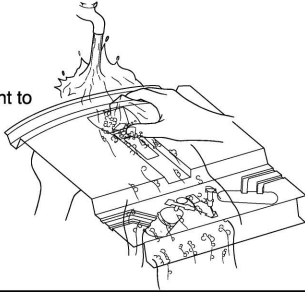




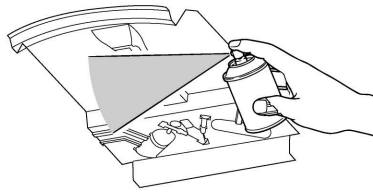
2 Painting

P9 P10 P11 P12

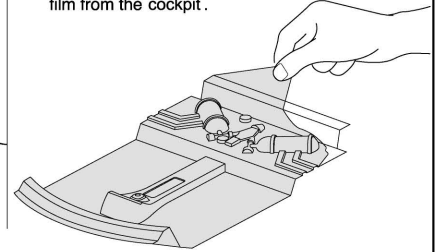
- 1 Before painting, use a neutral detergent to remove any oil residues and dirt.



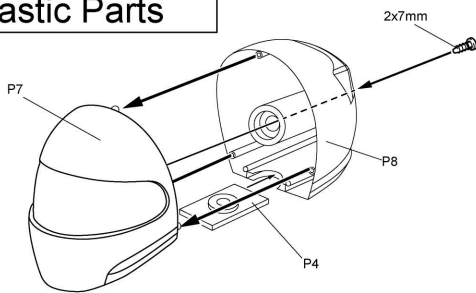
- 2 Paint the cockpit from the inside.



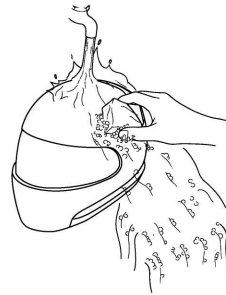
- 3 After painting, remove the protective film from the cockpit.



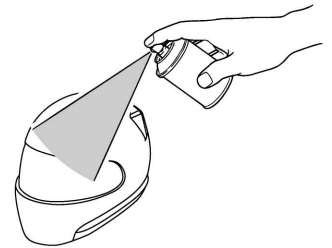
3 Plastic Parts



- 1 Before painting, use a neutral detergent to remove any oil residues and dirt.



- 2 Paint the helmet from the outside using spray colors.



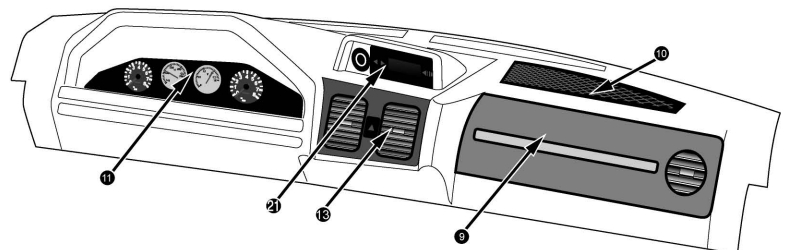
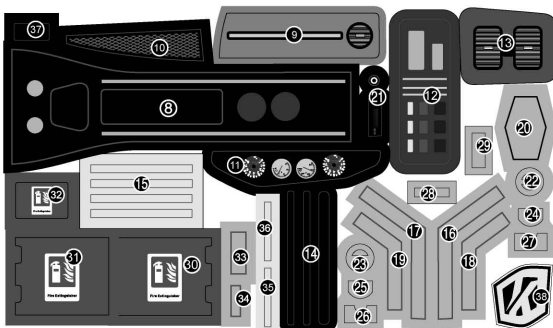
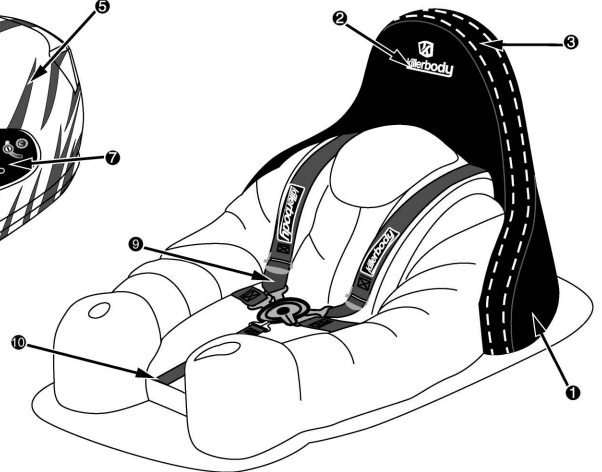
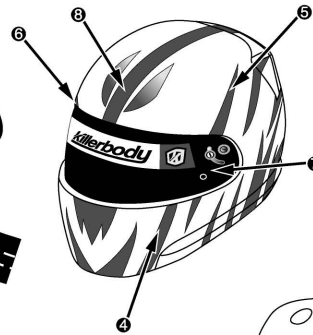
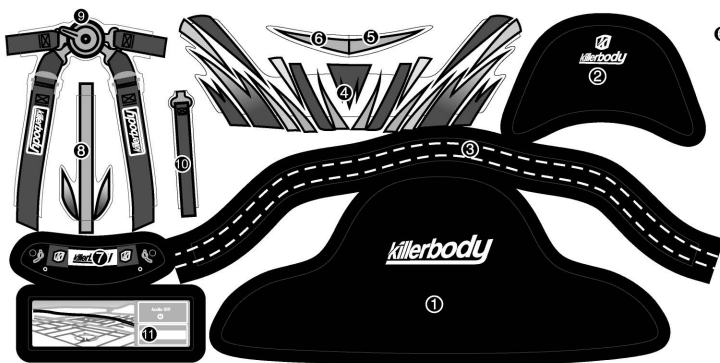
4 Decal

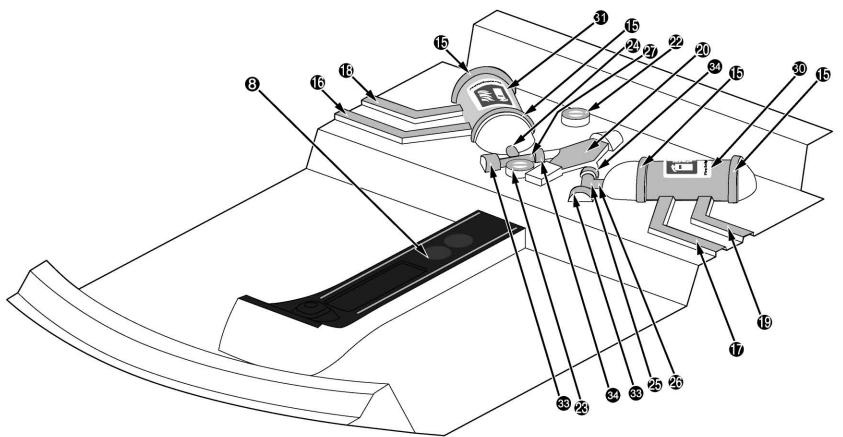
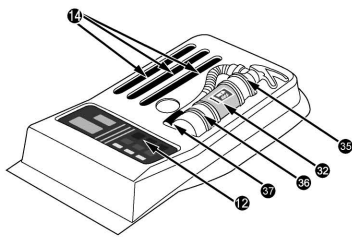
When making the window transparent

Non Decoration Body

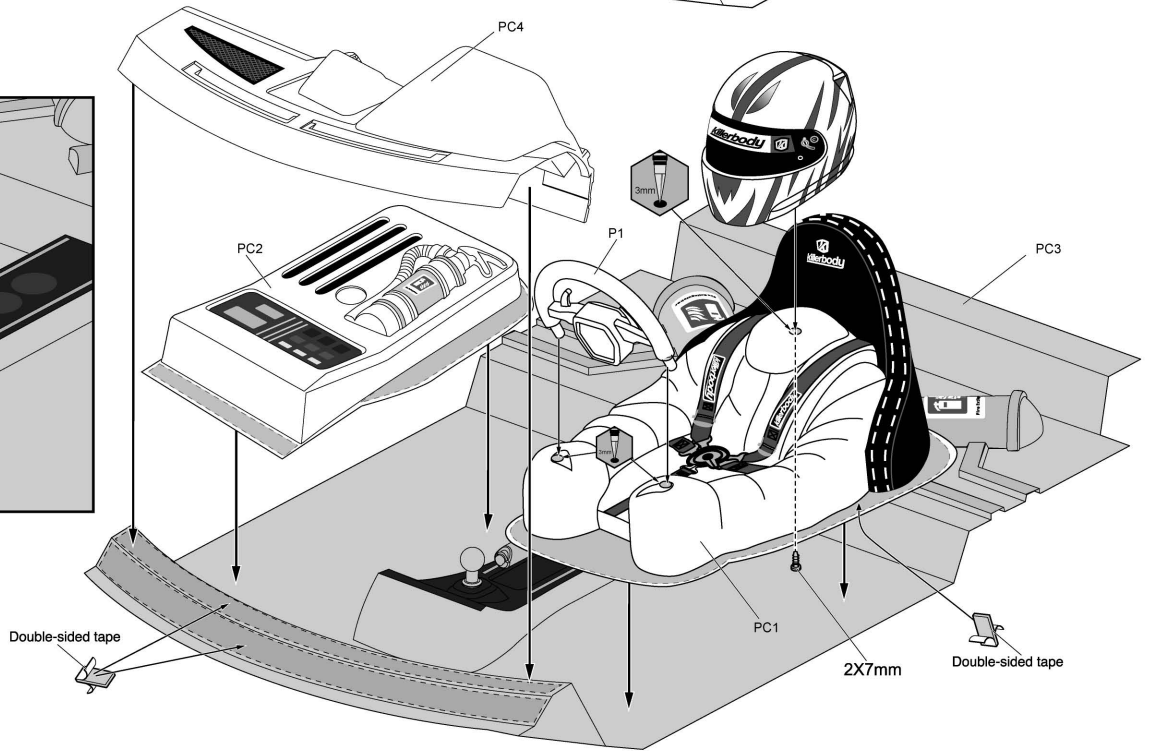
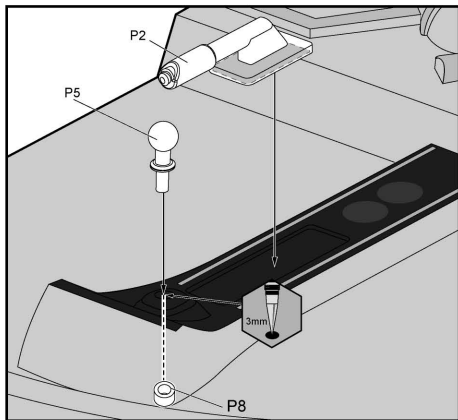
When loading LED lights

► The decal numbers between brackets are only for the opposite side.





5 Plastic Parts



Moveable Outdoor Tooling Set

Decoration Body
When making the window transparent:

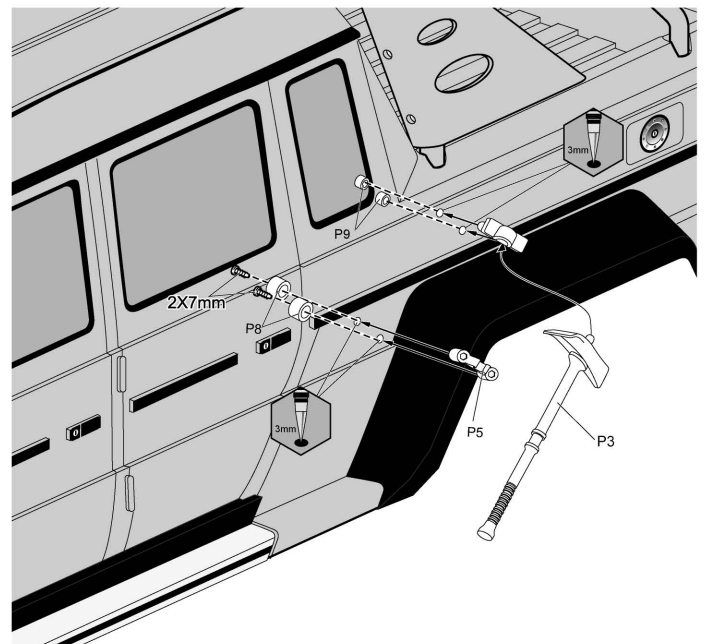
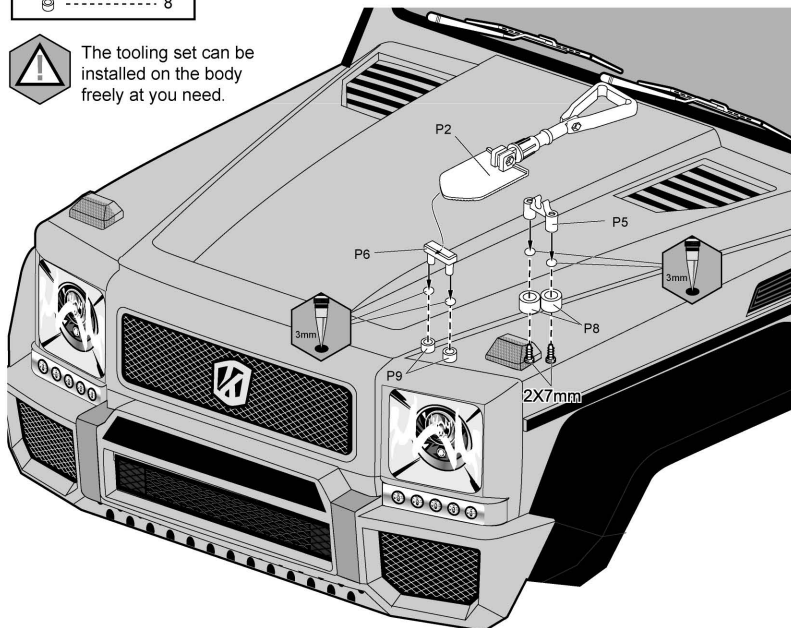
Non Decoration Body
When loading LED lights

NO.48256

PARTS		P3		P1		P2		P5		P7	
	TAPPING SCREW	-----	X9		X1		X1		X1		X4
	P8	-----	X8		X1		X1		X2		X2
	P9	-----	X12		X1		X1		X2		X2

- 2 x 7mm F/H TP Screw
- 8
- 8
- 8

The tooling set can be installed on the body freely at you need.



Wing Mirror W/LED Unit Set

Decoration Body
When making the window transparent:

Non Decoration Body
When loading LED lights

NO.48358

PARTS

PLASTIC PARTS ----- X1
PS PARTS ----- X1
PARTS BAG
3MM LED LIGHT UNIT ----- X1
SILVER MIRROR DECAL ----- X1

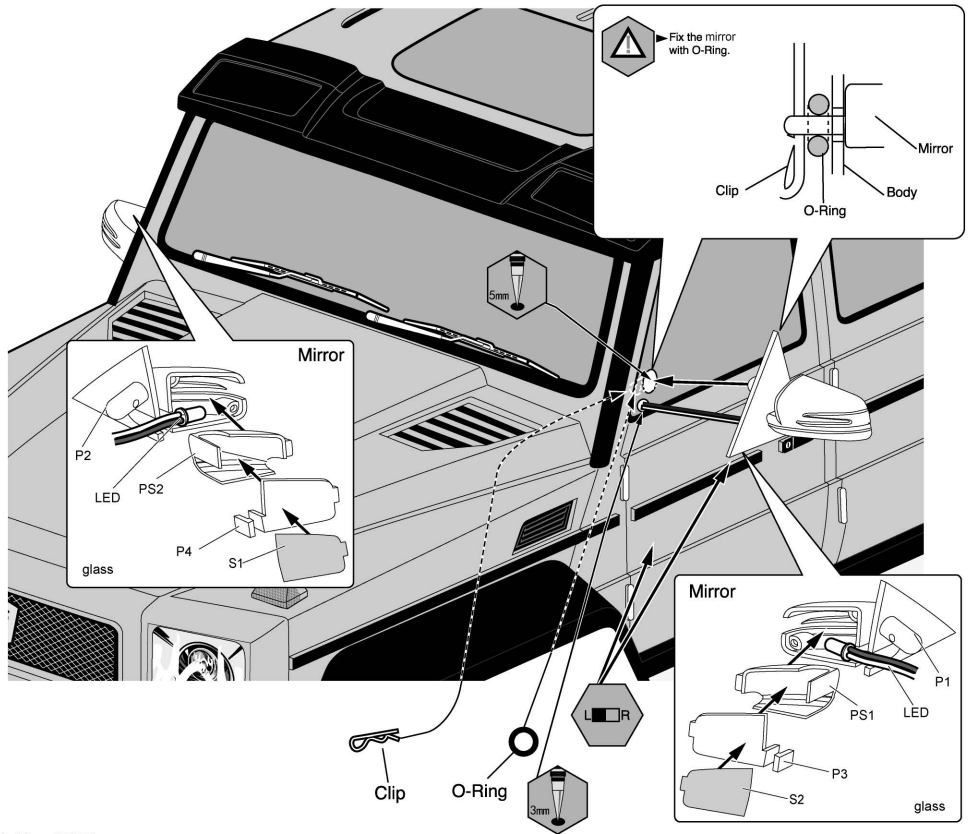
Clip ----- X3
O-Ring ----- X3

LED

PS PARTS
PS1 PS2

S1 S2
SILVER MIRROR DECAL

O-Ring ----- 2
Clip ----- 2
3MM LED LIGHT UNIT ----- 2



Here only take one style as an example, all the installation methods of No. 48360/48357/48359 are same with No. 48358.

Wing Mirror Set

Decoration Body
When making the window transparent:

Non Decoration Body
When loading LED lights

NO.48234

PARTS

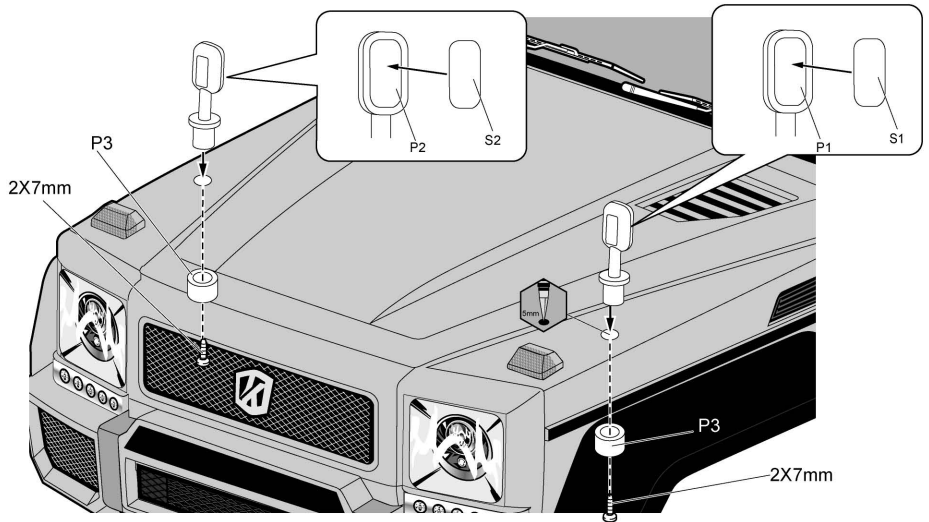
PLASTIC PARTS ----- X1
PARTS BAG
DECORATIVE STRANDER ----- X1
TAPPING SCREW ----- X2

PLASTIC PARTS
P3

S1 S2
SILVER MIRROR DECAL

P1 P2

2 x 7mm F/H TP Screw ----- 2
----- 2



Decorative Strander

Decoration Body
When making the window transparent:

Non Decoration Body
When loading LED lights

NO.48349

2 x 7mm F/H TP Screw ----- 2
----- 2

PARTS

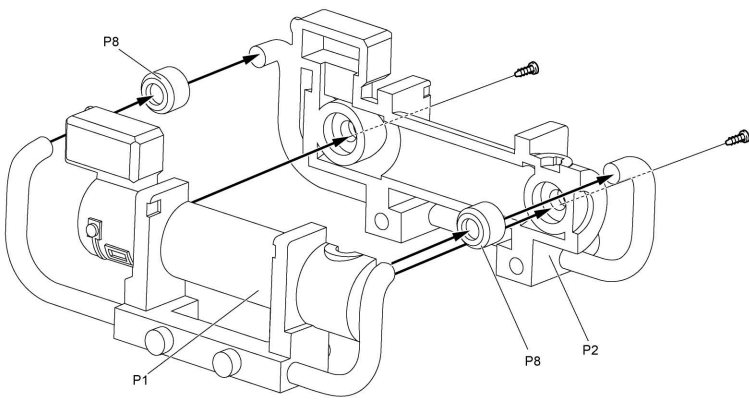
TAPPING SCREW ----- X6
DECAL SHEET ----- X1

P7 P8 P9

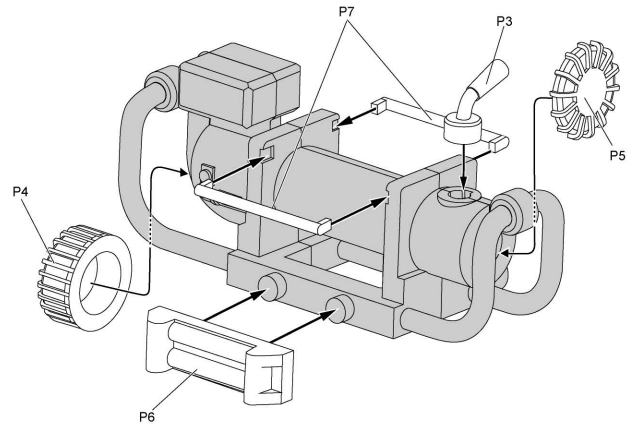
P3 P4 P5 P6 P10

X1 X1 X1 X1 X2

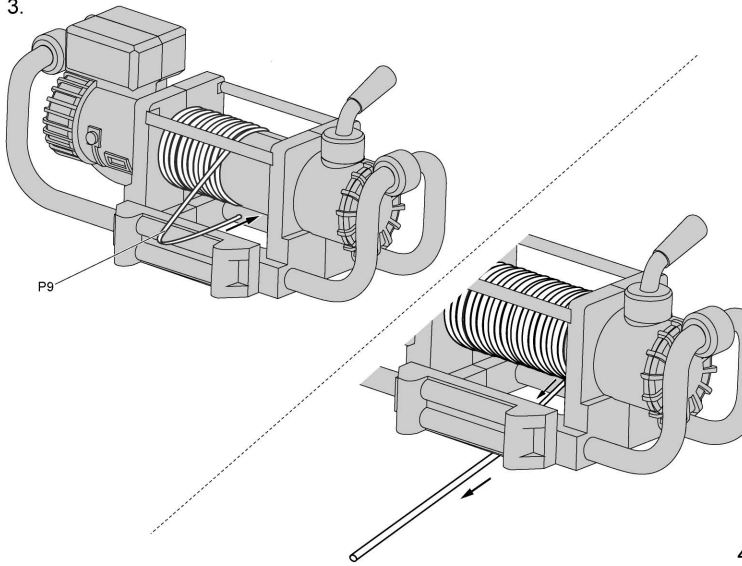
1.



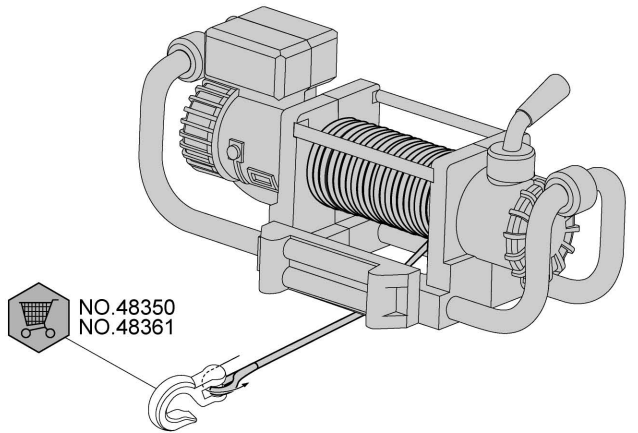
2.



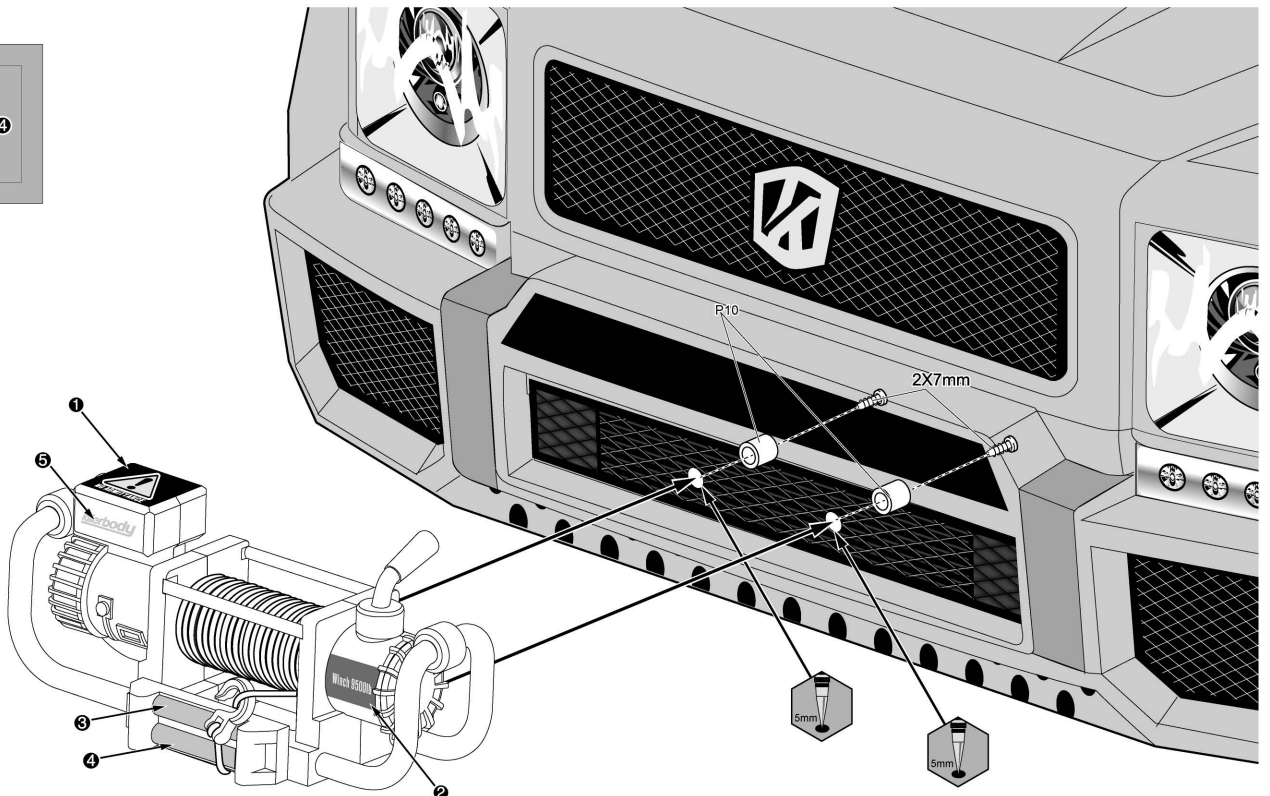
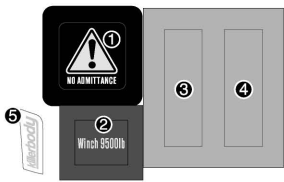
3.



5.



<Decal>

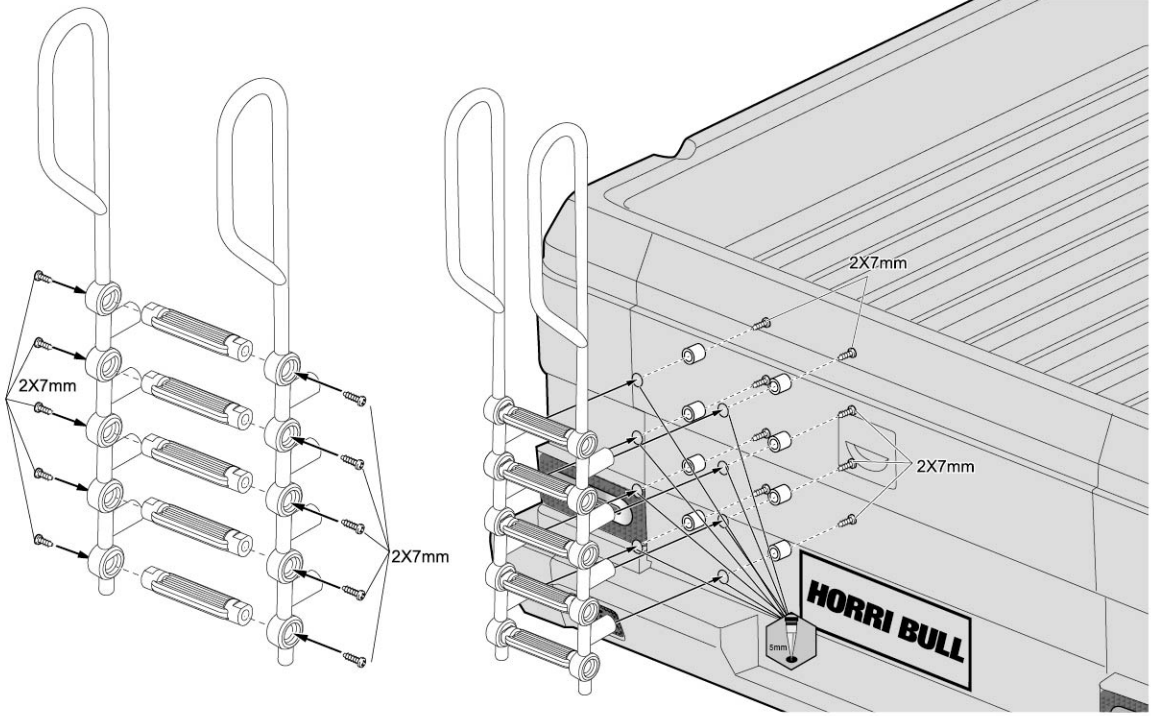
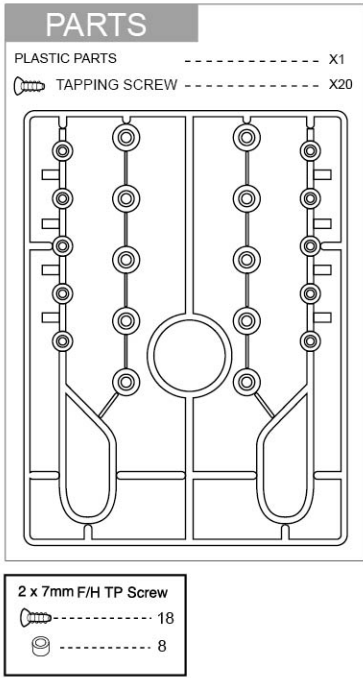


 **Decorative Ladder**

Decoration Body
When making the window transparent:

Non Decoration Body
When loading LED lights

NO.48345

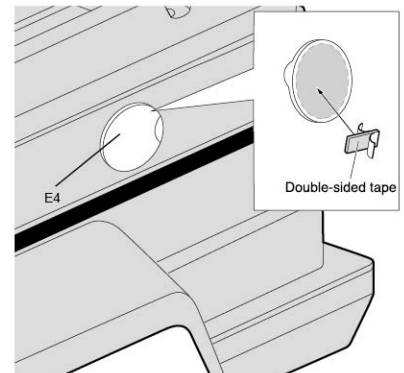
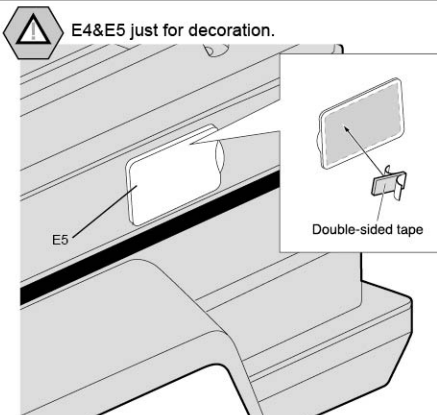
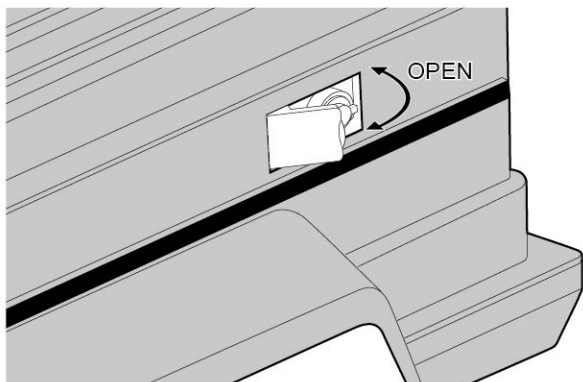
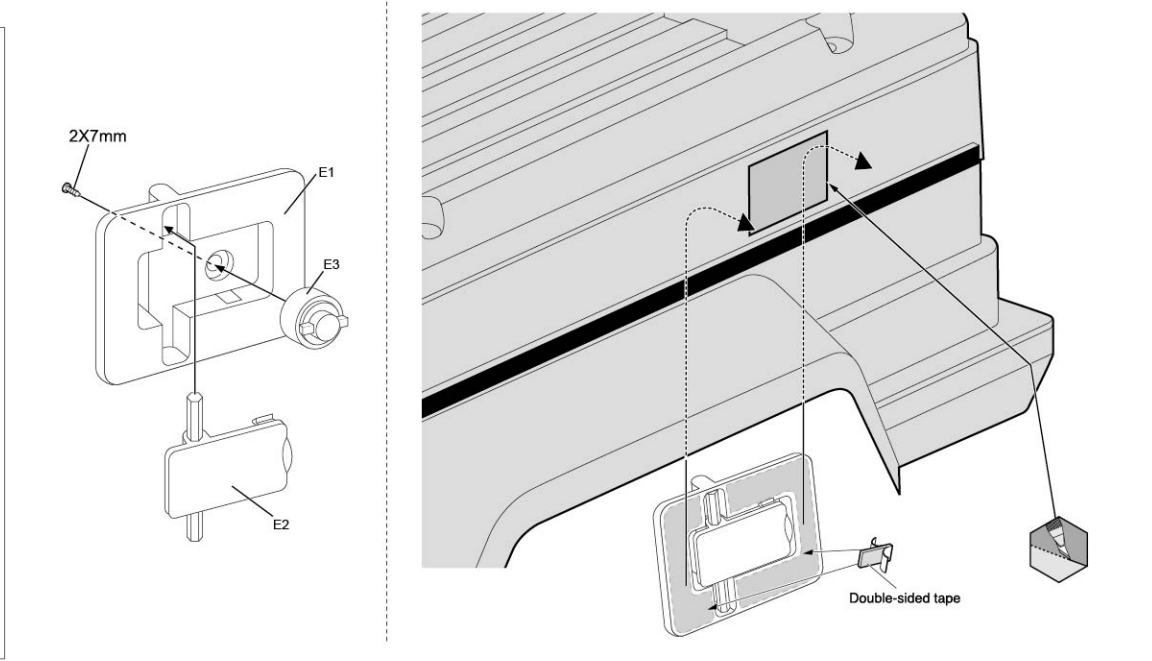
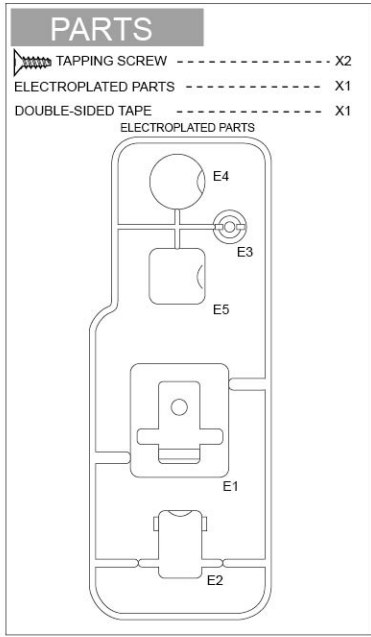


 **Moveable Fuel Door**

Decoration Body
When making the window transparent:

Non Decoration Body
When loading LED lights

NO.48231



Chromed Plastic Door Handle

Decoration Body

Non Decoration Body

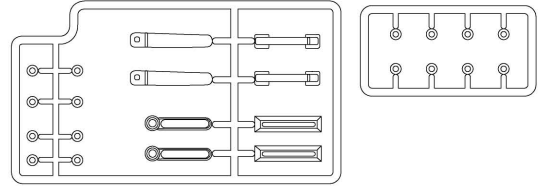
When making the window transparent:

When loading LED lights

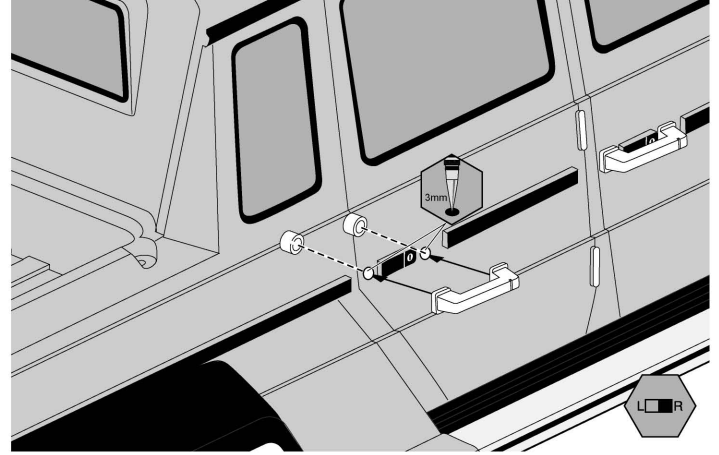
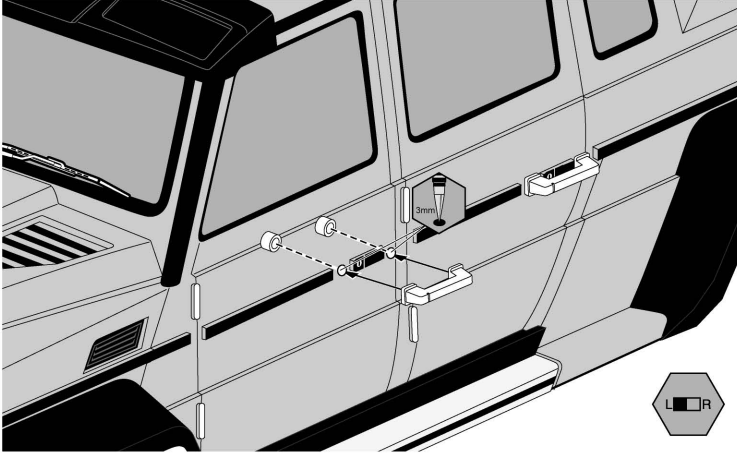
NO.48235

PARTS

ELECTROPLATED PARTS ----- X2



There are 4 style of door handle, here only take one style as an example, all the installation methods are same.



Hooks & Rings Set (Diecast alloy)

Decoration Body

Non Decoration Body

When making the window transparent:

When loading LED lights

NO.48350

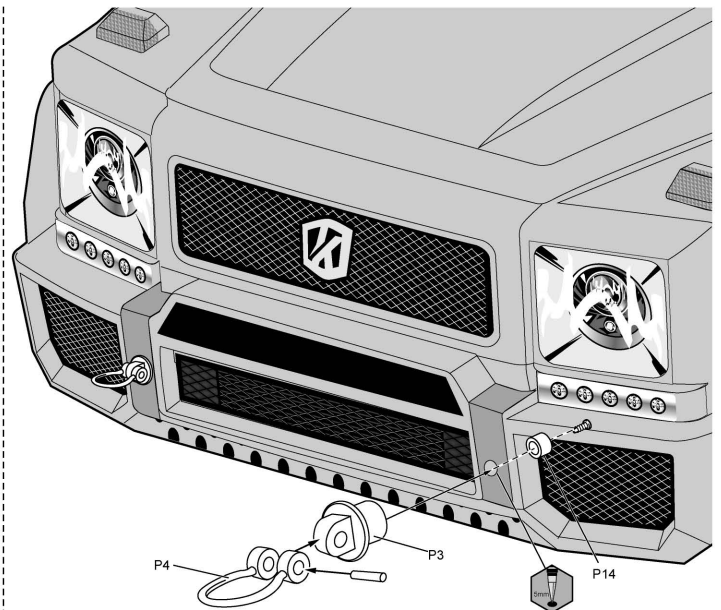
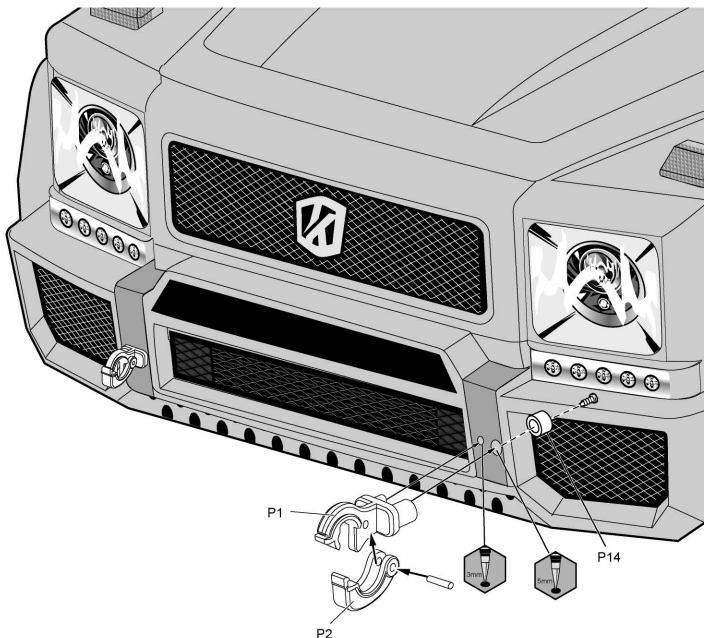
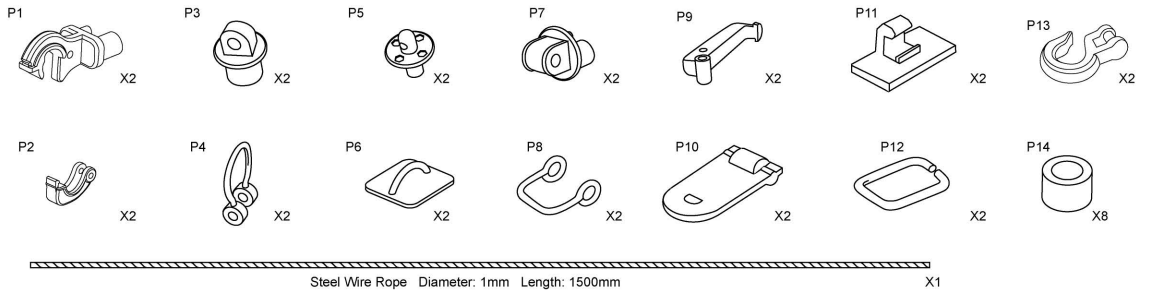
NO.48361

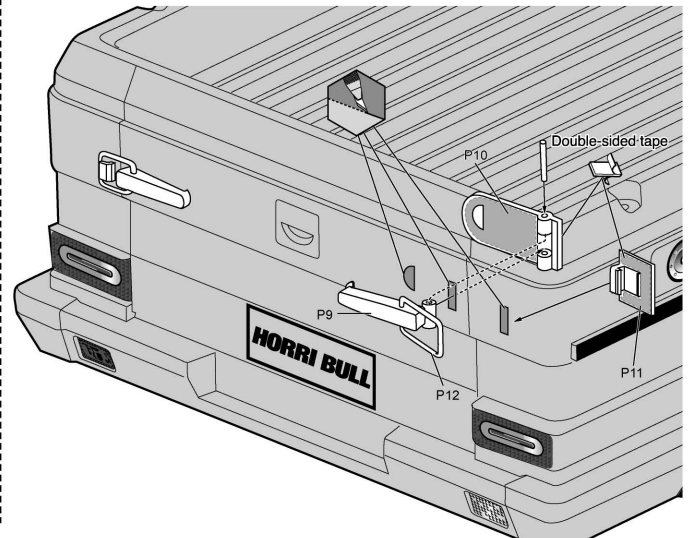
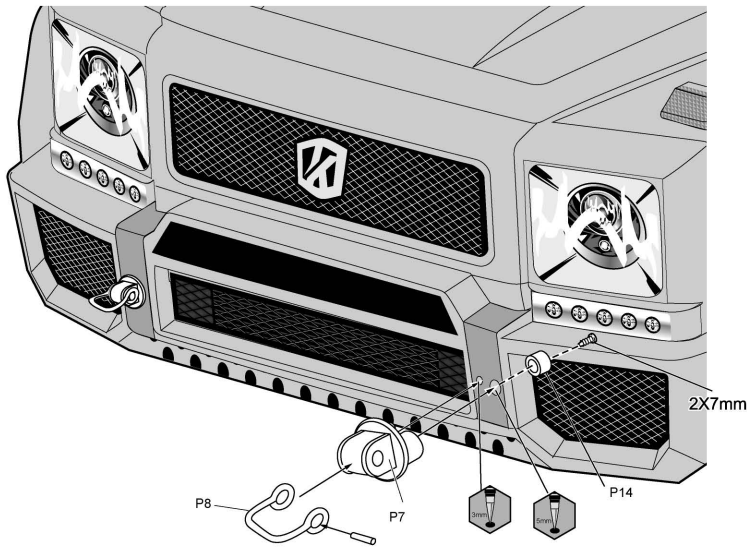
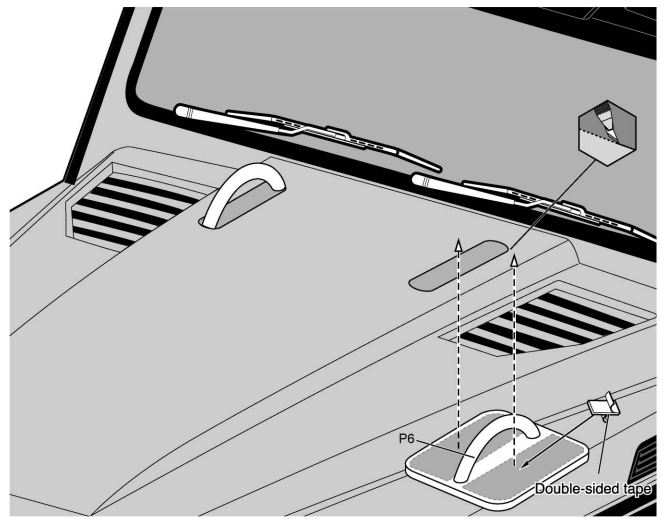
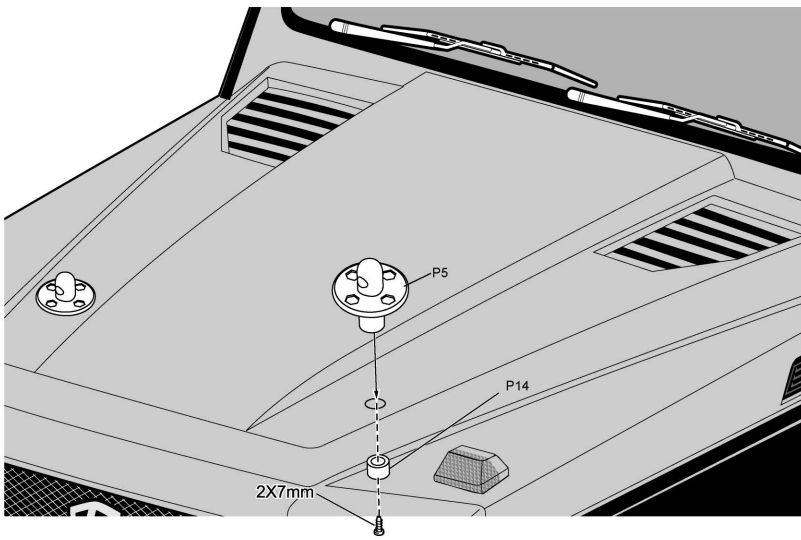
2 x 7mm F/H TP Screw
 ----- 4
 ----- 4

PARTS

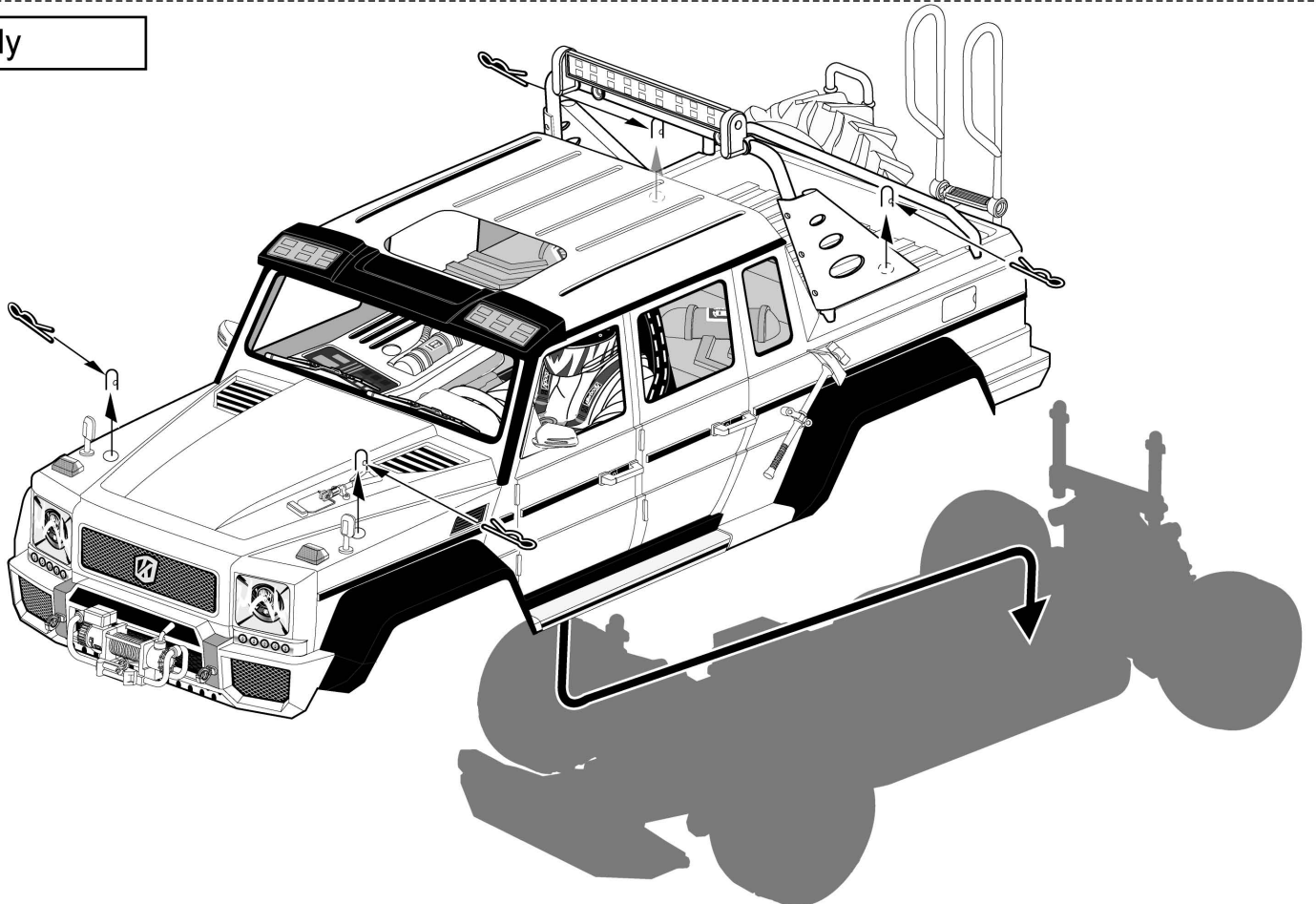
TAPPING SCREW ----- X5

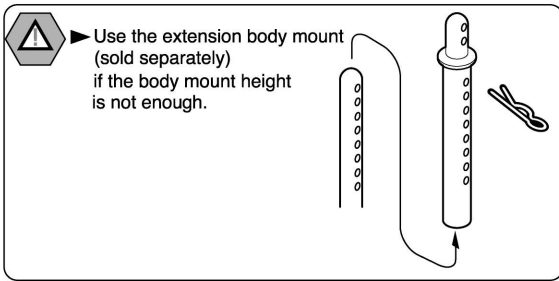
DOUBLE-SIDED TAPE ----- X1





7 Body





Option Parts & Accessory

No.	Part Names	No.	Part Names
48331	HORRI-BULL 1/10 Scale Crawler Clear Body Shell	48351	Number Plate W/LED Unit Set 1/10 Scale
48332	HORRI-BULL 1/10 Scale Crawler Finished Body Shell Carbon fiber graphics (Printed)	48242	Dashboard (Right) 1/10 Scale
48333	HORRI-BULL 1/10 Scale Crawler Finished Body Shell White (Printed)	48241	Dashboard (Left) 1/10 Scale
48334	HORRI-BULL 1/10 Scale Crawler Finished Body Shell White (Printed) Light buckets assembled	48245	Navigator Set 1/10 Scale
48335	HORRI-BULL 1/10 Scale Crawler Finished Body Shell Silver (Printed)	48235	Chromed Plastic Door Handle 1/10 Scale
48336	HORRI-BULL 1/10 Scale Crawler Finished Body Shell Silver (Printed) Light buckets assembled	48236	Black Plastic Door Handle 1/10 Scale
48337	HORRI-BULL 1/10 Scale Crawler Finished Body Shell Black (Printed)	48350	Hooks & Rings Set (Diecast alloy) 1/10 Scale
48338	HORRI-BULL 1/10 Scale Crawler Finished Body Shell Black (Printed) Light buckets assembled	48361	Hooks & Rings Set (Diecast alloy) 1/10 Scale
48339	Decal Sheet White 1/10 Scale Crawler (HORRI-BULL)	48274	Body Clip 1/10 Scale
48340	Decal Sheet Silver-grey 1/10 Scale Crawler (HORRI-BULL)	48273	Body Rope w/Clip Set (Metal) 120mm
48341	Decal Sheet Black 1/10 Scale Crawler (HORRI-BULL)	48362	Body Rope w/Clip Set (Metal) 100mm
48342	Transparent Light Lenses 1/10 Scale Crawler (HORRI-BULL) Lexan molded / PC material	48363	Body Rope w/Clip Set (Metal) 80mm
48343	Chromed Light Bucket 1/10 Scale Crawler (HORRI-BULL) Lexan molded / PC material	48365GD	Flange Locknut (Aluminum alloy) Gold
48344	Black Plastic Parts Fit for 1/10 RC Truck	48365BK	Flange Locknut (Aluminum alloy) Black
48358	Wing Mirror W/LED Unit Set 1/10 Touring Car	48365RD	Flange Locknut (Aluminum alloy) Red
48234	Wing Mirror Set 1/10 Truck	48365SL	Flange Locknut (Aluminum alloy) Silver
48277	Accent Light 1/10 Truck	48365GY	Flange Locknut (Aluminum alloy) Grey
48278	Accent Light 1/10 Truck		
48279	Accent Light of Roof 1/10 Truck		
48280	Accent Light of Roof 1/10 Truck		
48237	Accent Light of Truck Bed 1/10 Truck		
48224	Cockpit Set 1/10 Truck		
48256	Moveable Outdoor Tooling Set 1/10 Truck		
48345	Decorative Ladder 1/10 Truck		
48238	Roof Luggage Rack (Double Layer) 1/10 Truck		
48348	Bottom Plate of Luggage Rack (Stainless Steel) 1/10 Truck		
48349	Decorative Strander 1/10 Truck		
48346	Accent Light W/SMD LED Unit Set (12 LEDES) 1/10 Truck		
48347	Accent Light W/SMD LED Unit Set (18 LEDES) 1/10 Truck		
48281	Exhaust Pipe (Can be installed with LED) 1/10 Scale		
48282	Exhaust Pipe (Can be installed with LED) 1/10 Scale		
48283	Exhaust Pipe (Can be installed with LED) 1/10 Scale		
48284	Exhaust Pipe (Can be installed with LED) 1/10 Scale		
48231	Moveable Fuel Door 1/10 Scale		

WWW.KILLERBODYRC.COM