








Aluminum Alloy Intercooler w/Installation Parts

Fit for 1/10 RC Touring Car
NO.48276

● Symbols used throughout the instruction manual, comprise:

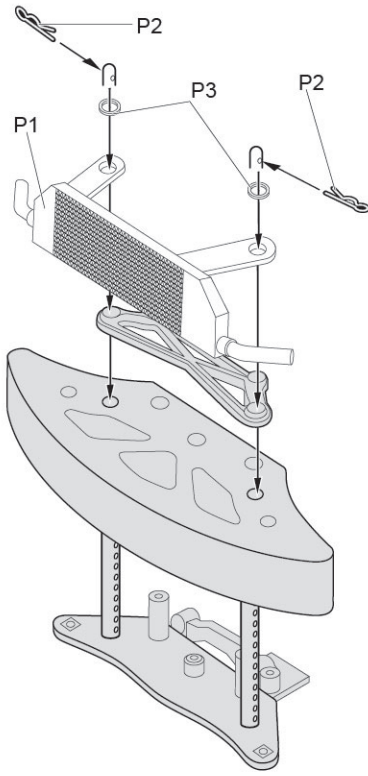
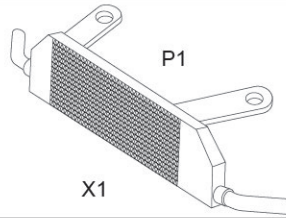
-  Cut off shaded portion.
-  5mm Drill holes with the specified diameter.
-  Pay close attention here!
-  Must be purchased separately.
-  Assemble left and right sides the same way.

PARTS

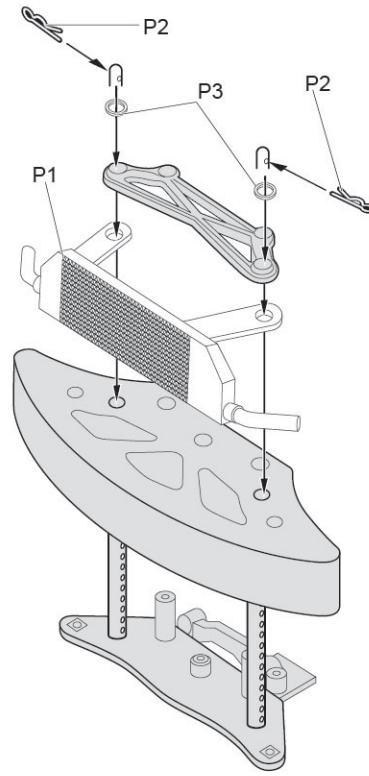
Clip



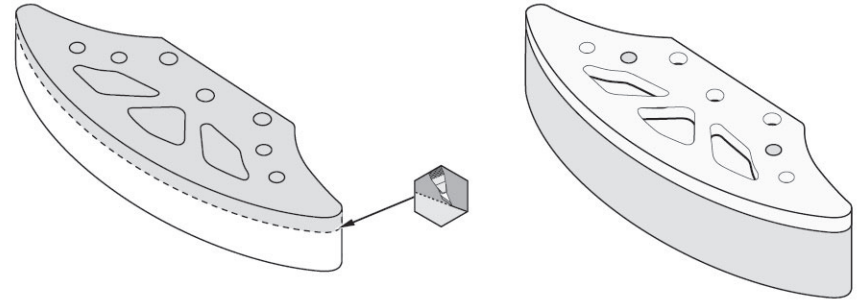
O-Ring




A. If need a higher position, assembly sponge bumper first then plastic bumper and radiator at the last.

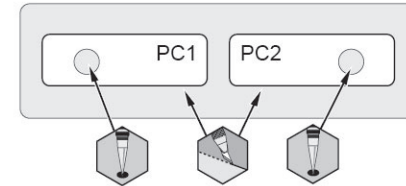



B. If need a lower position, assembly sponge bumper first then radiator and plastic bumper at the last.



C. You can adjust to proper height by cutting or thickening the sponge.

 Width's adjustment: This product is a universal part, you can assembly it directly if post holes distance is 72mm, if post holes distance is not 72mm, you need adjustment before assembly, and you can buy one polycarbonate chip for adjustment.



 The style and dimension are decided by yourself, we just make an example for your reference, height adjustment please refer to previous mentioned method.

