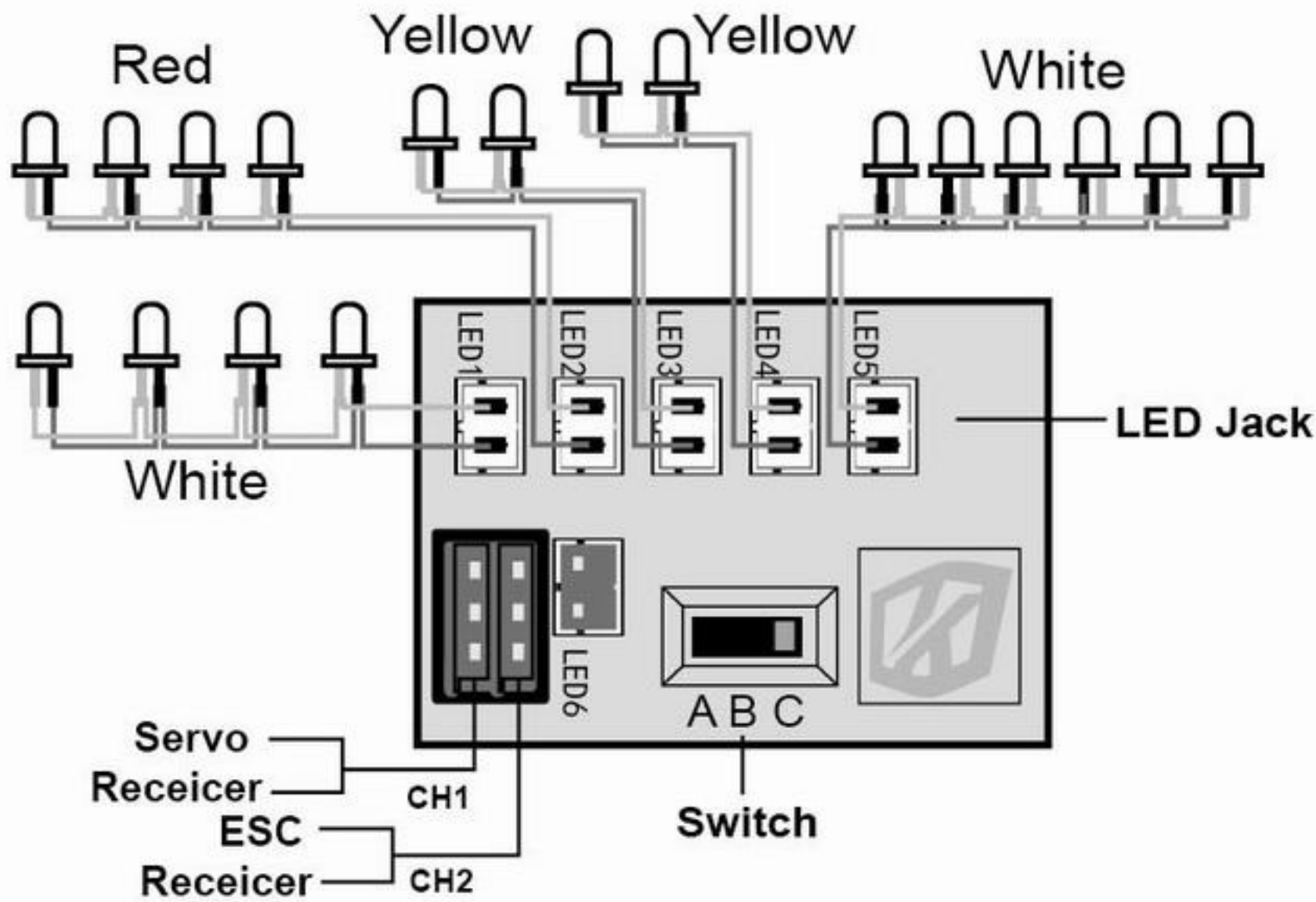


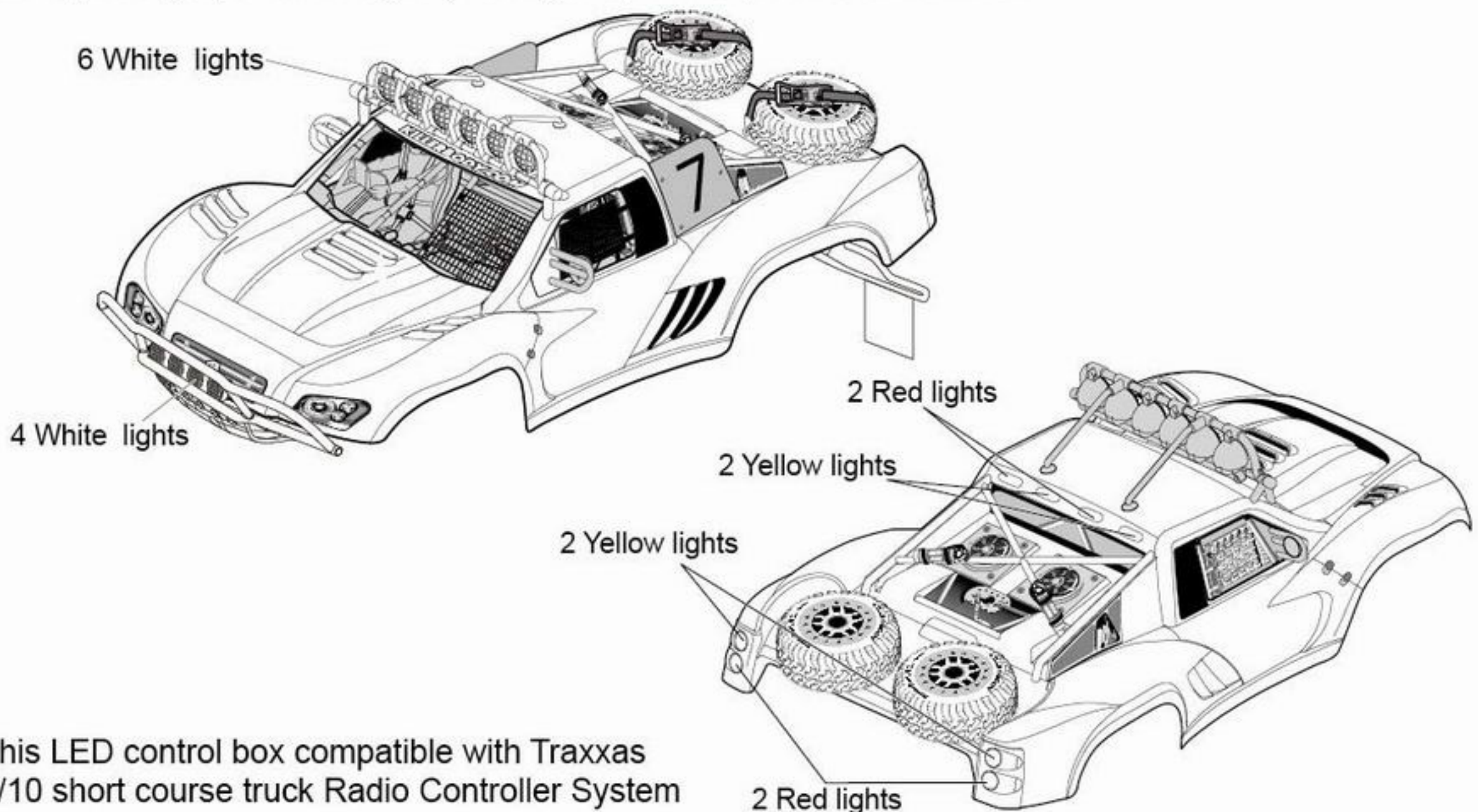
⚠ Not all the Radio Controller System compatible with this LED control box.

Due to limited wire length of the LED lights set, please pre-check proper fixture location before using 3M double-sided tape to fix it. We suggest to fix the LED lights set at the nearest area to the signal receiver which on the bottom of the chassis.



Port C  
Function:

- 1) All lights will flash when power connected.
- 2) LED 1(forward light, 4 white lights) will light up when received forward signal.
- 3) LED 2 (backward light, 4 red lights) will light up dimly when received signal, and will light up when received backward signal.
- 4) LED 3(left-turn lights, 2 yellow lights) will flash when received left turn signal.
- 5) LED 4(right-turn lights, 2 yellow lights) will flash when received right turn signal.
- 6) LED 5 (roof light, 6 white lights) will light up when power connected.



This LED control box compatible with Traxxas  
1/10 short course truck Radio Controller System