

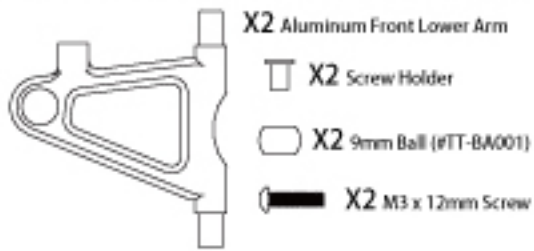


Aluminum Conversion Kit Manual For TT02

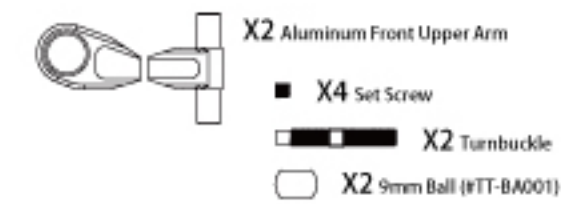
#CK-TT02 Parts Check List

BAG A

A1:
#TT02-001 Aluminum Front Lower Arm Set



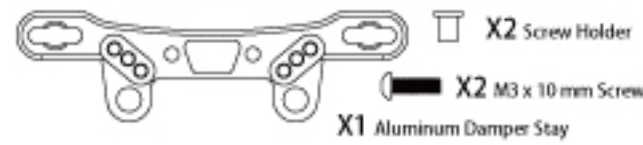
#TT02-003 Aluminum Adjustable Front Upper Arm Set



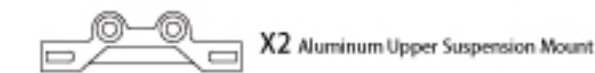
#TT02-006 Aluminum Front Knuckle Arm Set



#TT02-008 Aluminum Front / Rear Damper Stay



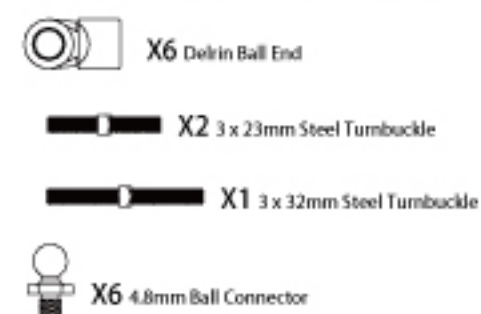
#TT02-010 Aluminum Upper Suspension Mount



#TT02-069 Aluminum Solid Axle



A2:
#TT02-012 Adjustable Steering Tie-Rod Set



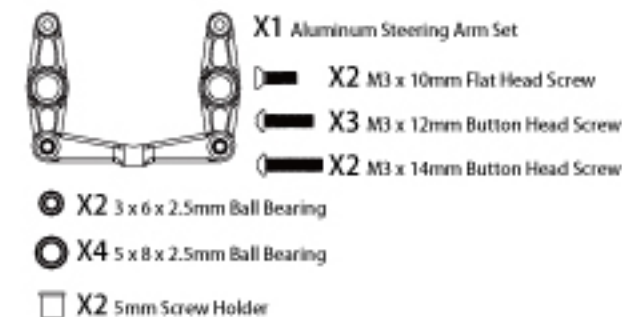
#TT02-015 Steel Universal Joint Shaft



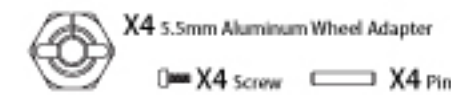
#TT02-017 Steel Front / Rear Gear Joint



#TT02-042 Aluminum Ball Bearing Steering Set



#WA-017 Aluminum Wheel Adapter Set



#LN-M4S 4mm Aluminium Serrated Lock Nut Set



BAG B

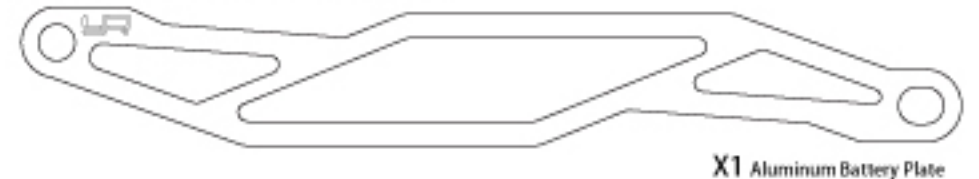
#TT02-014 Aluminum Main Drive Shaft



#TT02-021 Aluminum Battery Post



#TT02-022 Aluminum Battery Plate

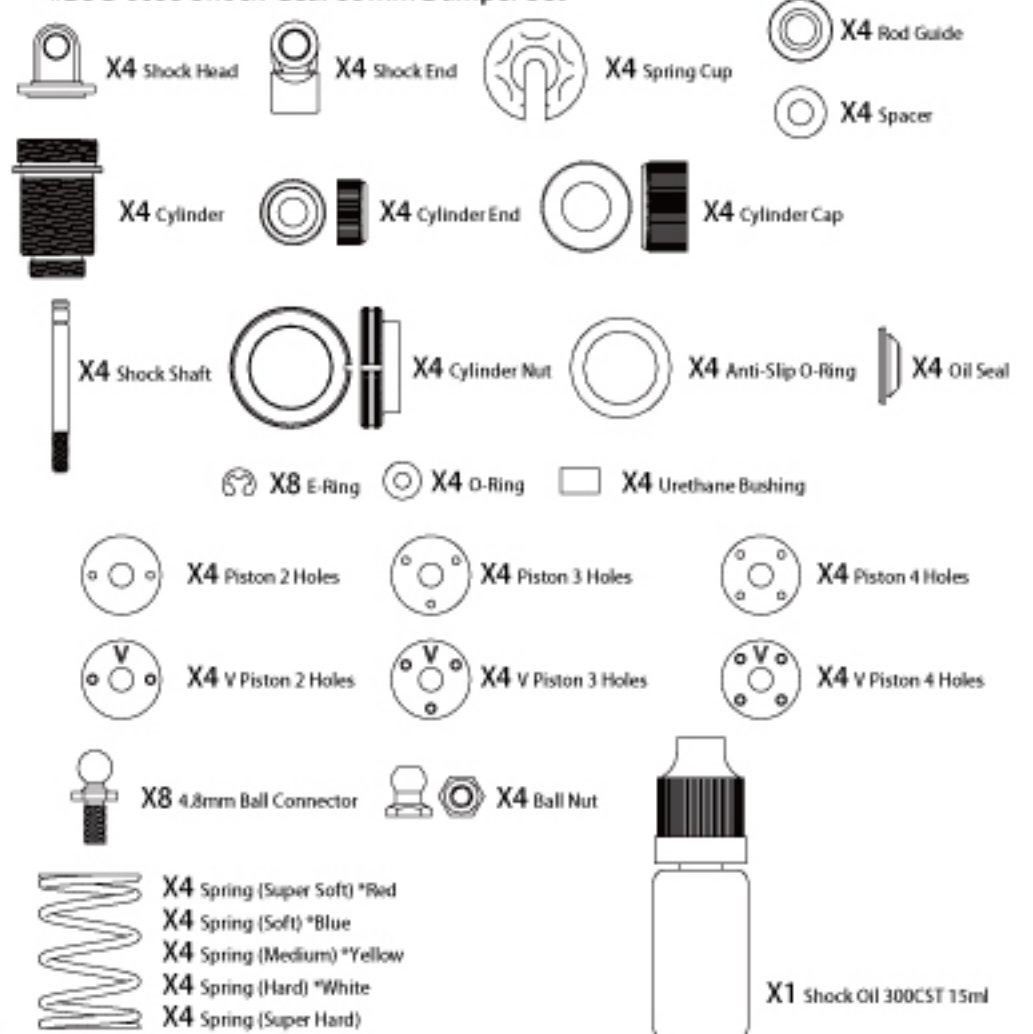


#TT02-016 Aluminum Main Drive Shaft Joint



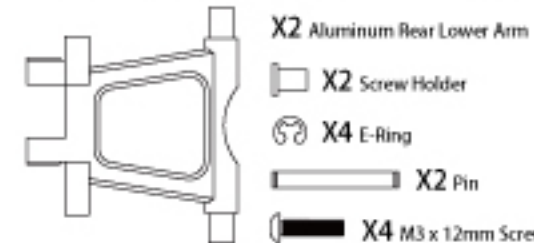
BAG D

#DSG-0055 Shock-Gear 55mm Damper Set

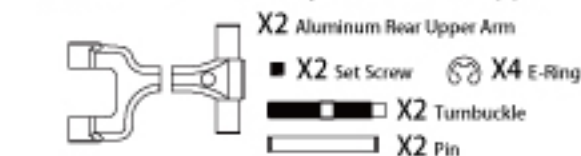


BAG C

C1:
#TT02-002 Aluminum Rear Lower Arm Set



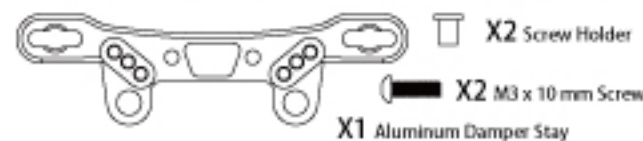
#TT02-004 Aluminum Adjustable Rear Upper Arm Set



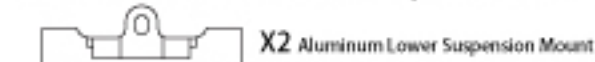
#TT02-007-2 Aluminum Rear Hub/Knuckle Arm 2"



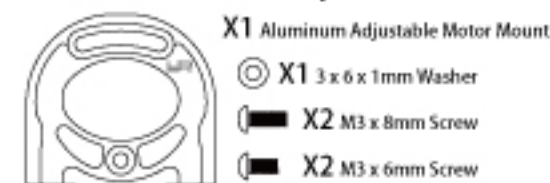
#TT02-008 Aluminum Front / Rear Damper Stay



#TT02-011 Aluminum Lower Suspension Mount



C2:
#TT02-013 Aluminum Adjustable Motor Mount



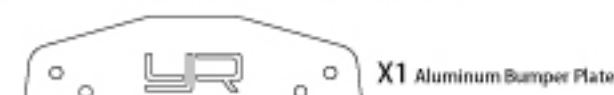
#TT02-015 Steel Universal Joint Shaft



#TT02-017 Steel Front / Rear Gear Joint



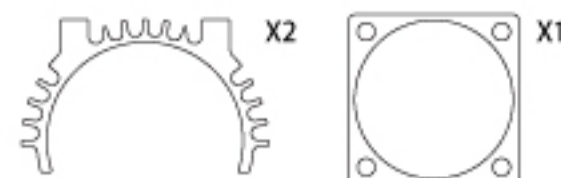
#TT02-040 Aluminum Bumper Plate



#YA-0180 Tornado High Speed Cooling Fan

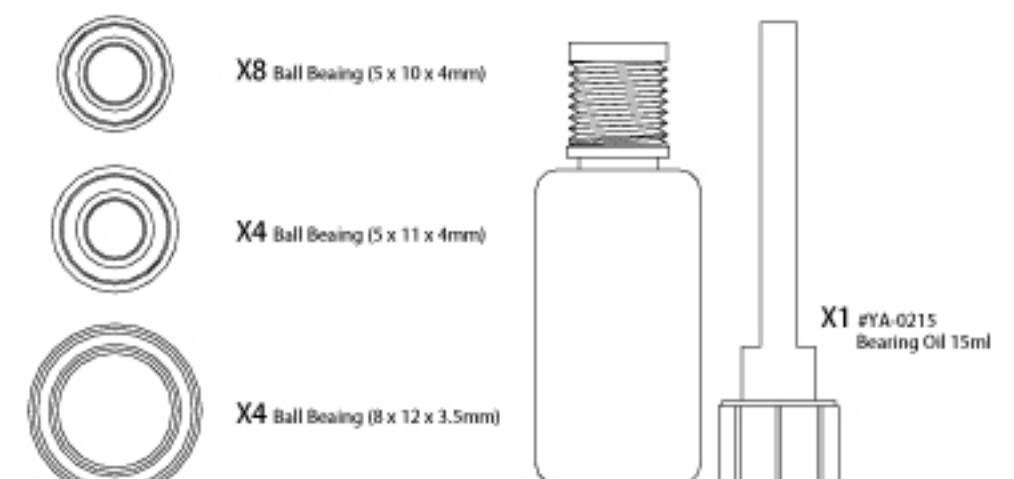


#YA-0259 Super Light Aluminum Heat Sink

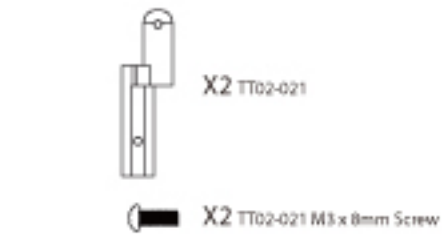
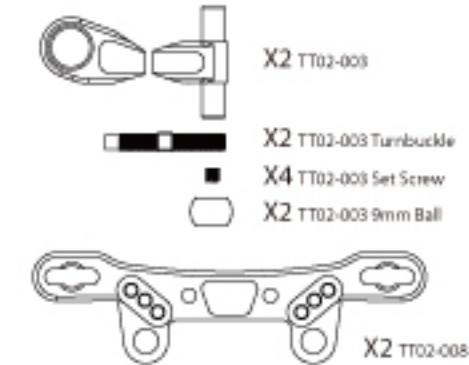
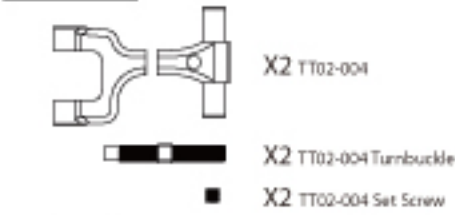
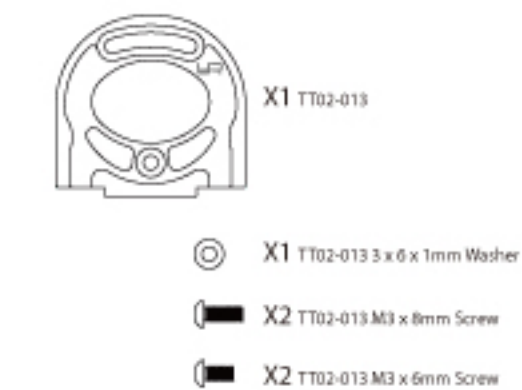
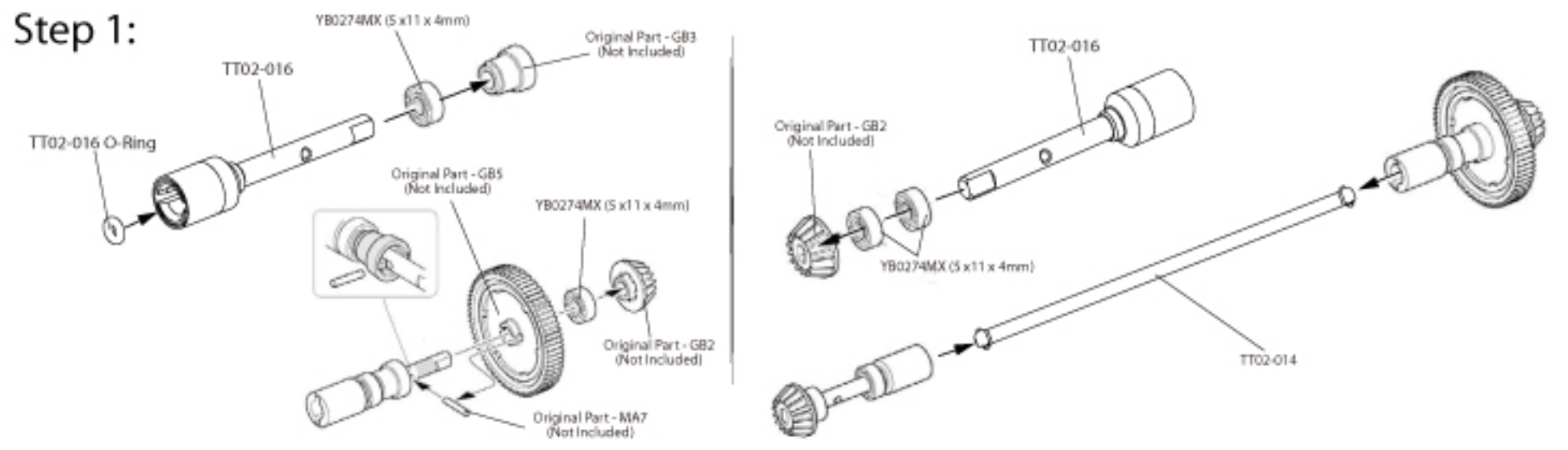
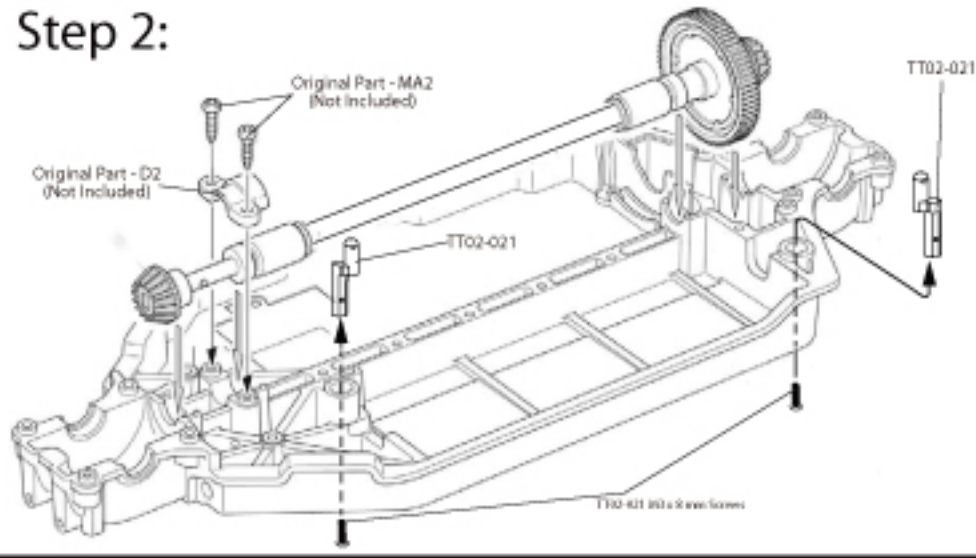
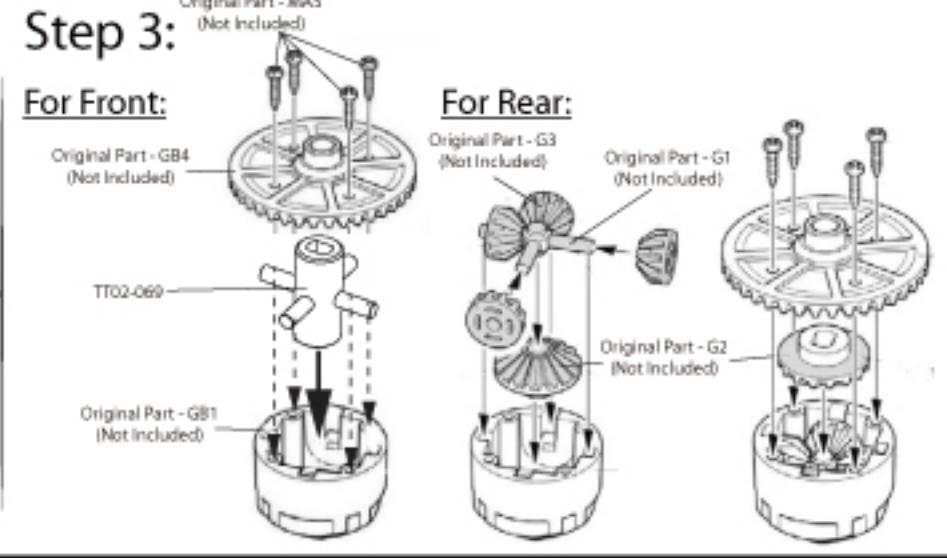
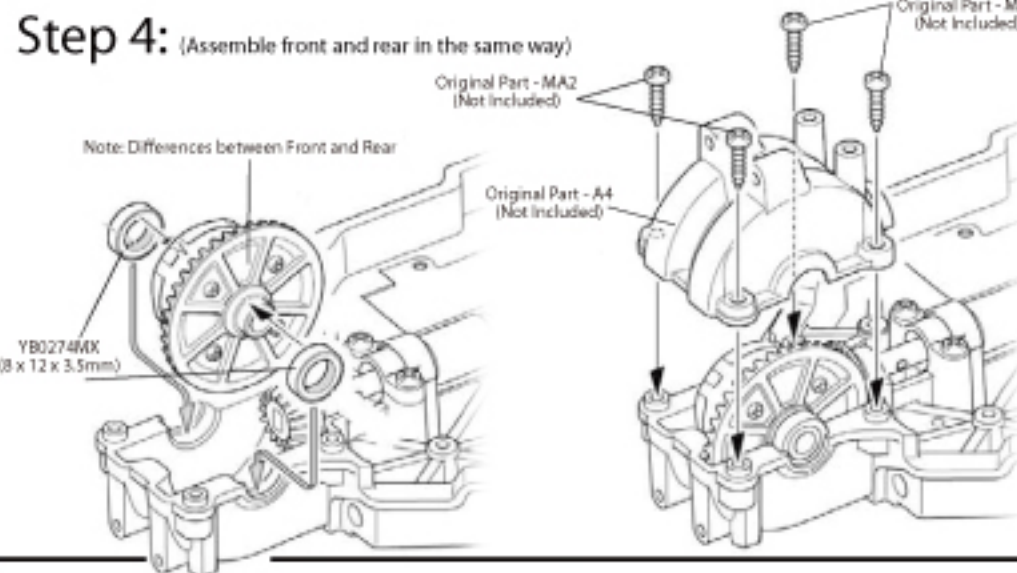
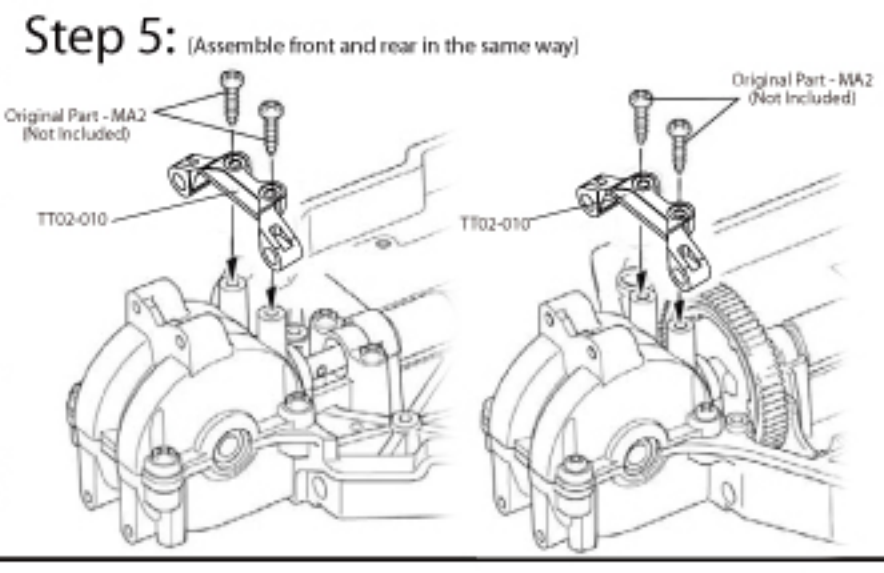
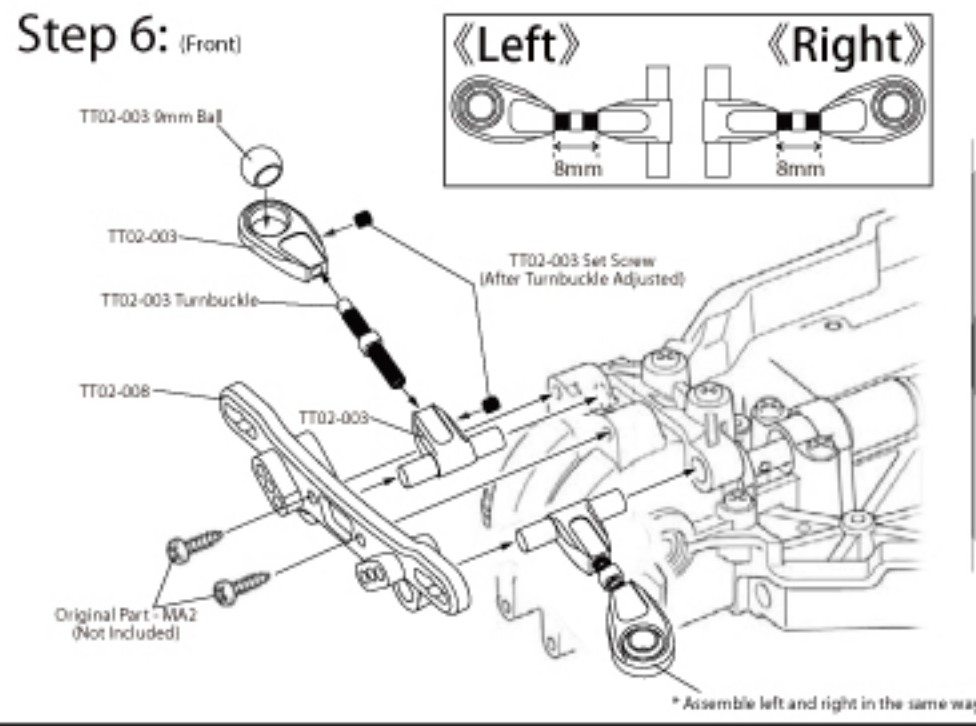
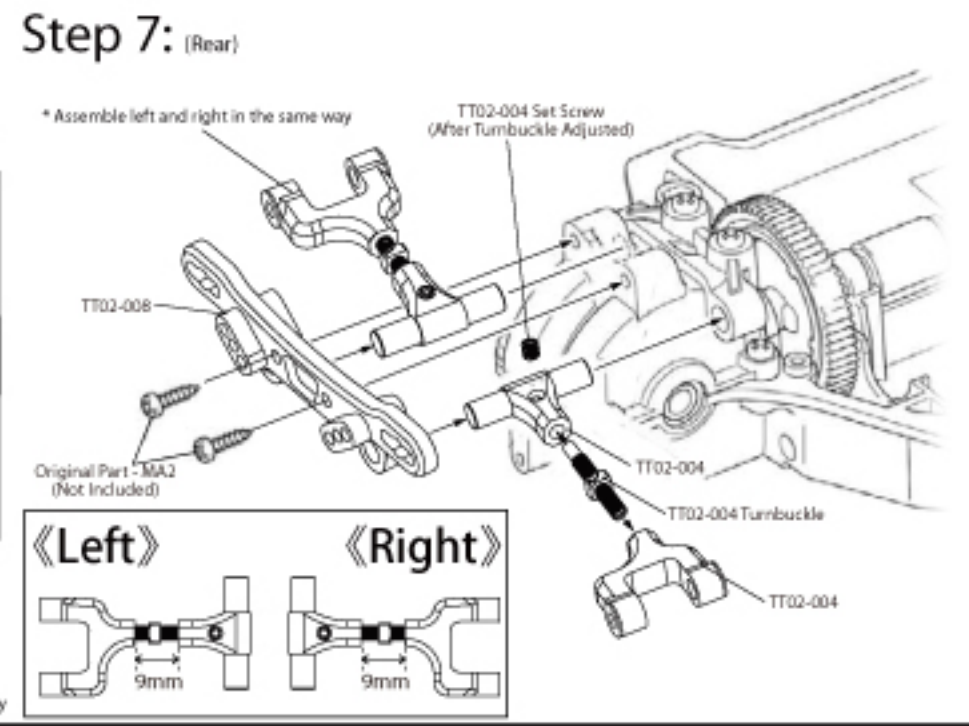


BAG E

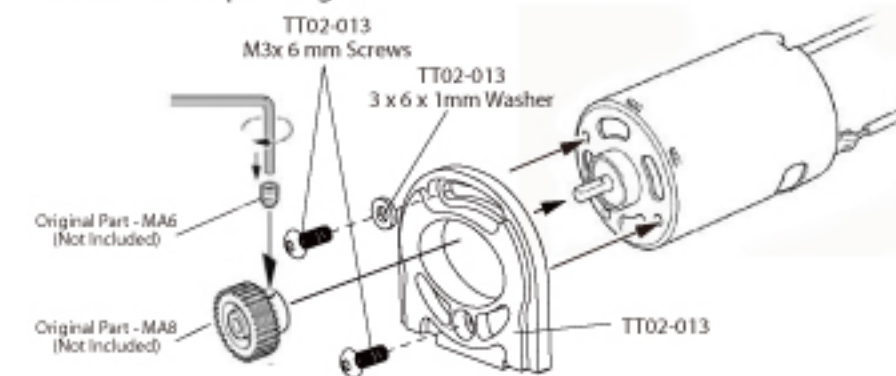
#YB0274MX Balling Bearing Set with Bearing Oil



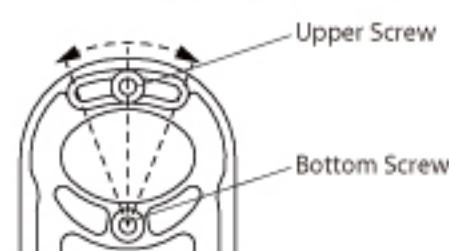
* All of the images used in this manual are for reference only and not to scale.

BAG B**BAG E****BAG B****BAG A1****BAG E****BAG A1****BAG A1****BAG C1****BAG C2****Step 1:****Step 2:****Step 3:****Step 4: (Assemble front and rear in the same way)****Step 5: (Assemble front and rear in the same way)****Step 6: (Front)****Step 7: (Rear)****Step 8:**

Step 8-1:
Install the screws, do not tighten them yet.
Then install the pinion gears.



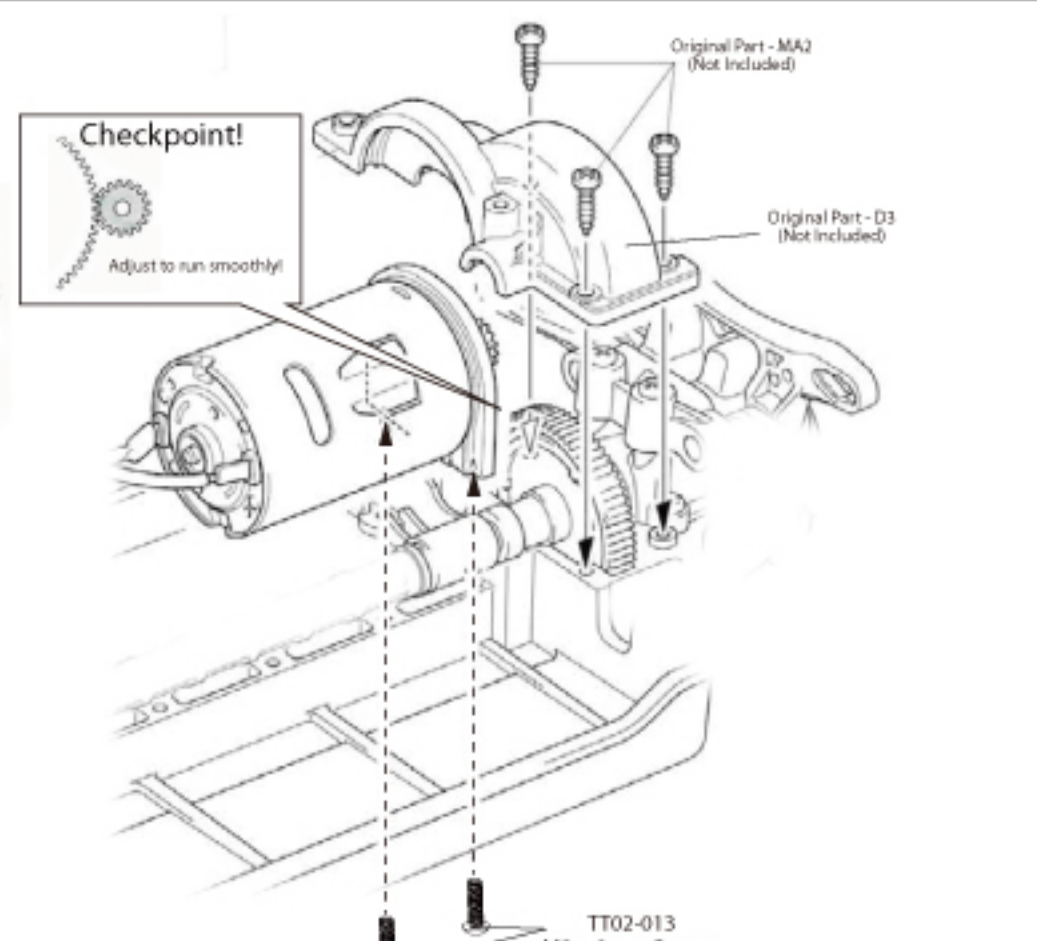
Step 8-2:
After the motor position is adjusted smoothly, tighten the upper screw of the motor mount first.

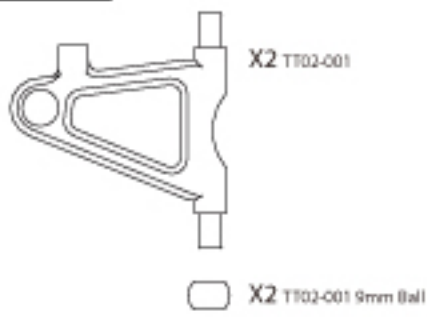
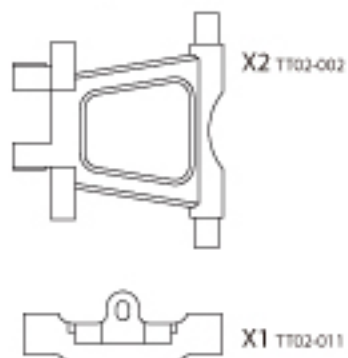
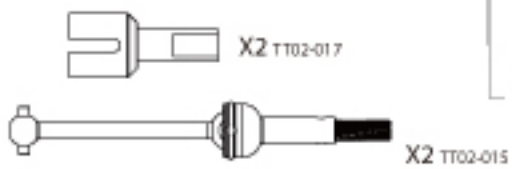
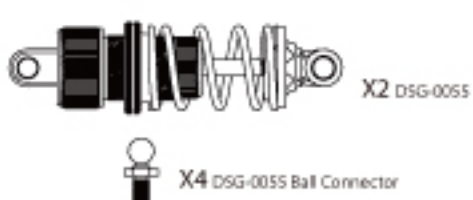
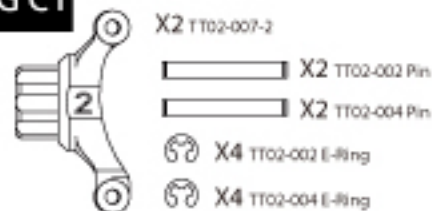
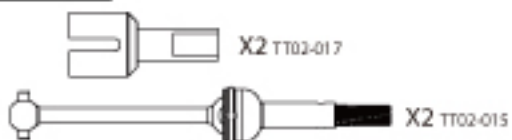
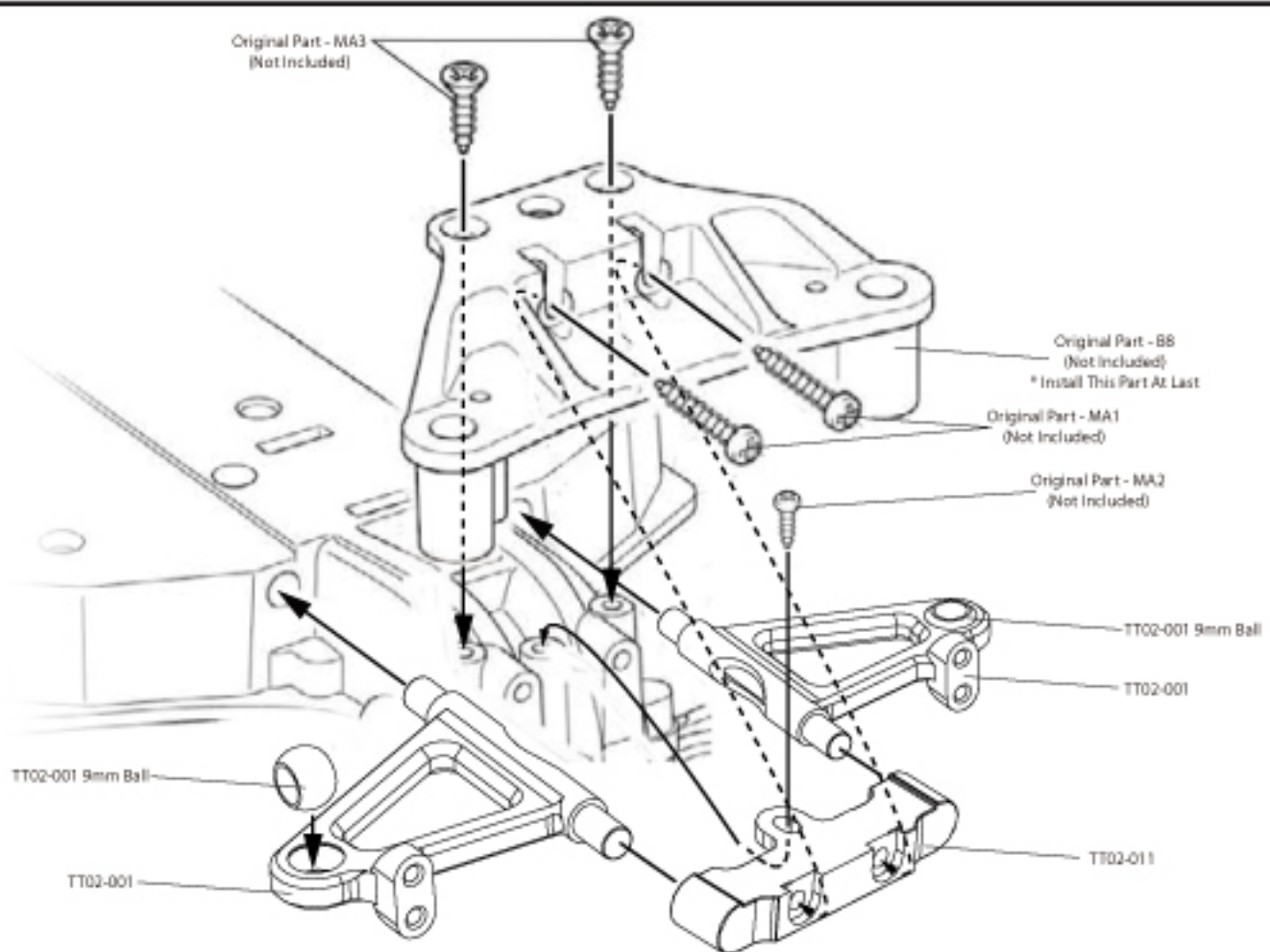
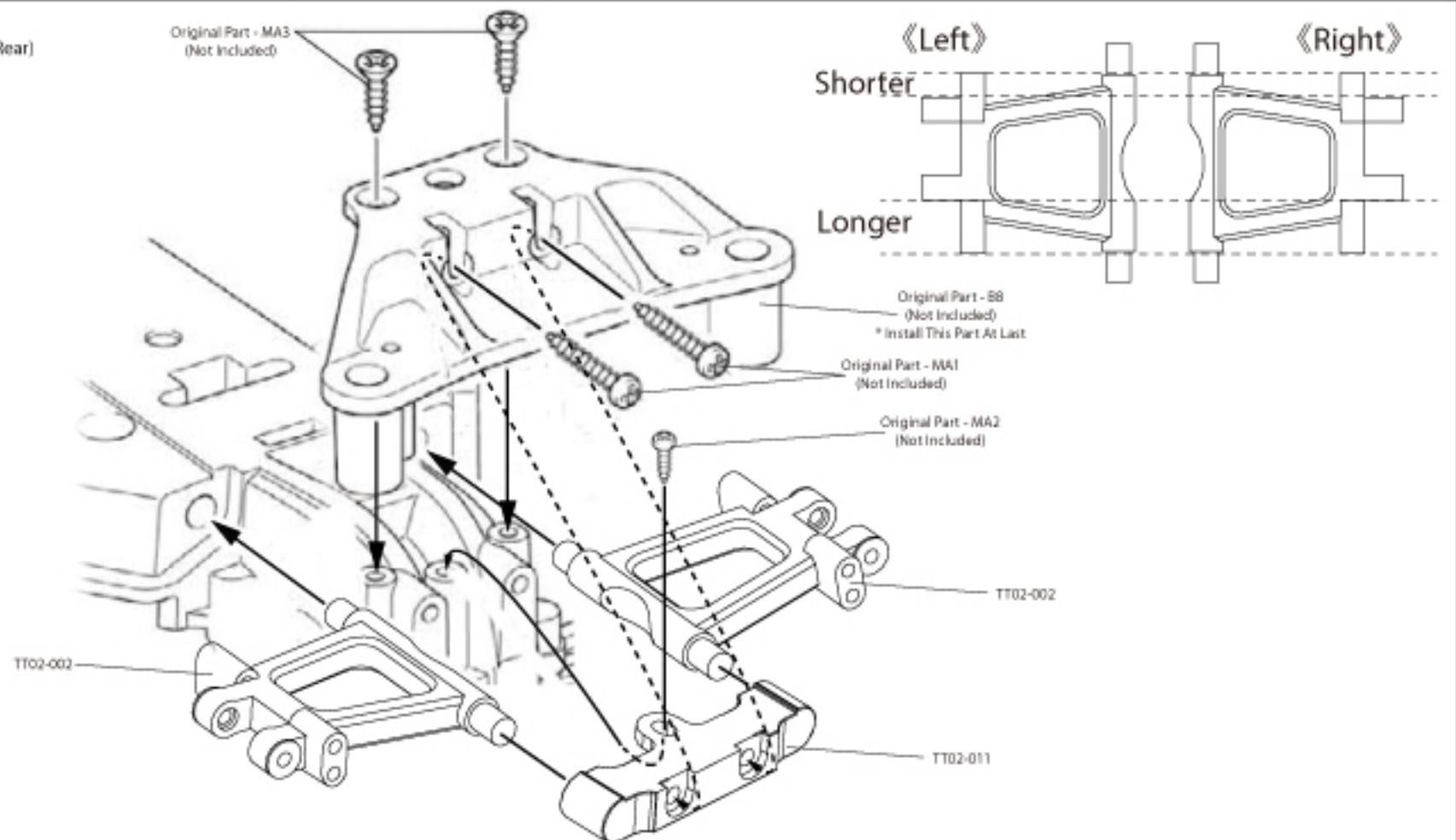


The motor can be mounted in different angles to address various pinion gears for different gear ratio settings.

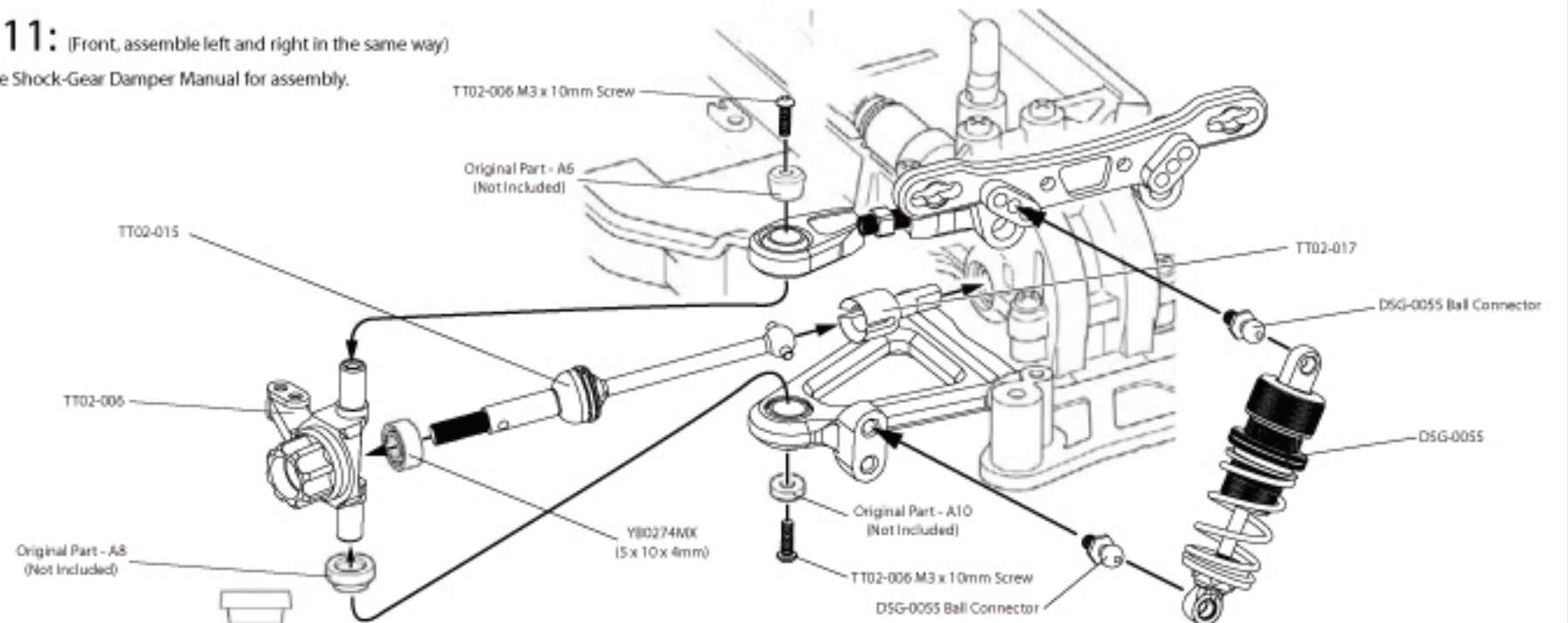
Checkpoint!

Step 8-3:
Finally, remove the motor mount and tighten the bottom screw. Then, install the motor mount into the chassis.

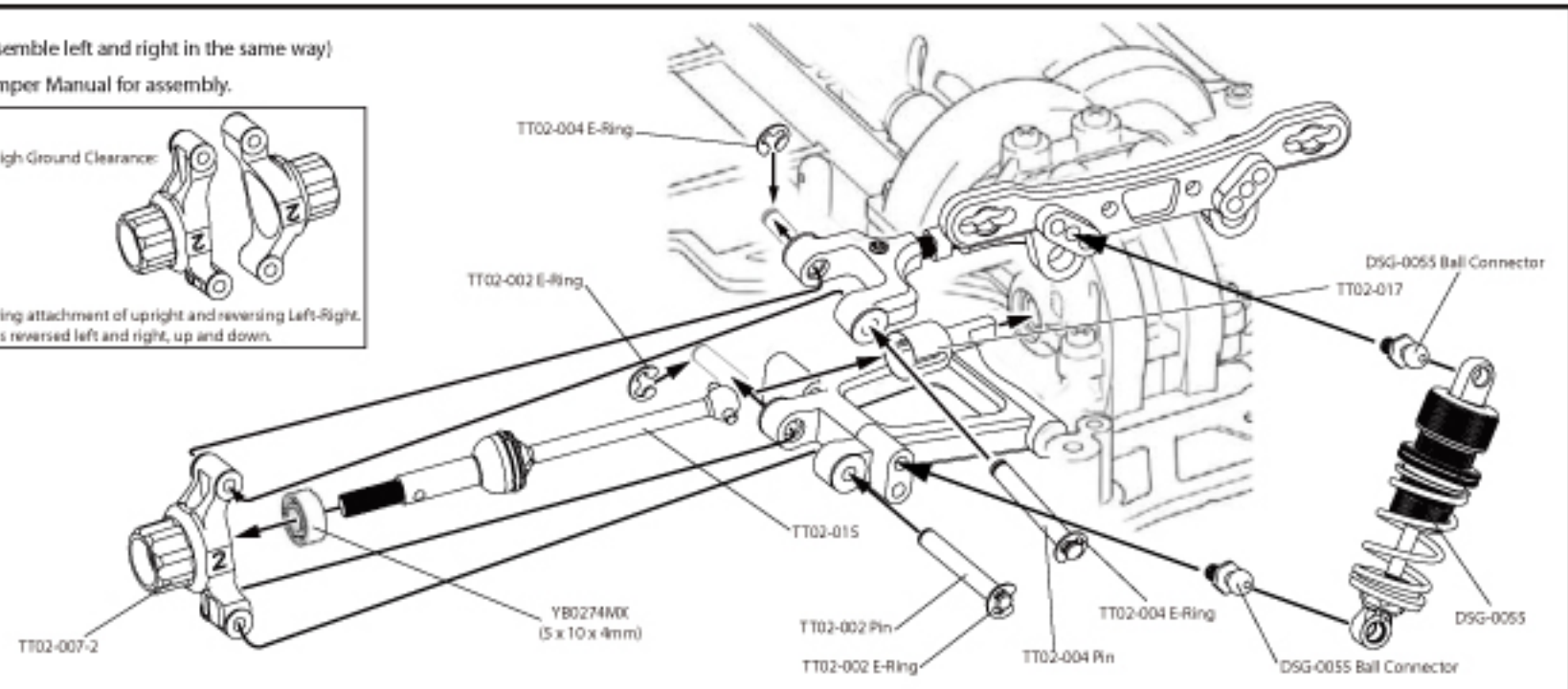
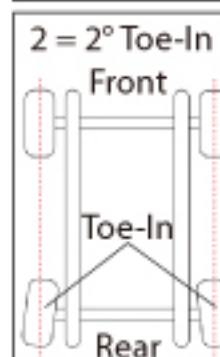
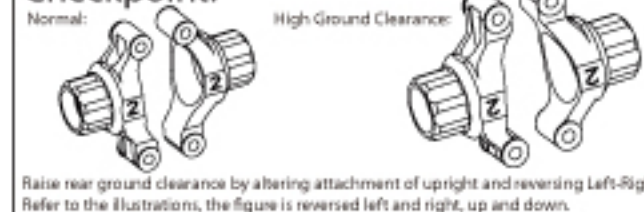


BAG A1**BAG C1****BAG C1****BAG A1****BAG A2****BAG D****BAG E****BAG C1****BAG C2****BAG D****BAG E****Step 9: (Front)****Step 10: (Rear)****Step 11: (Front, assemble left and right in the same way)**





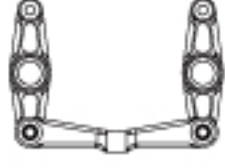





* Refer to the Shock-Gear Damper Manual for assembly.

**Step 12: (Rear, assemble left and right in the same way)**

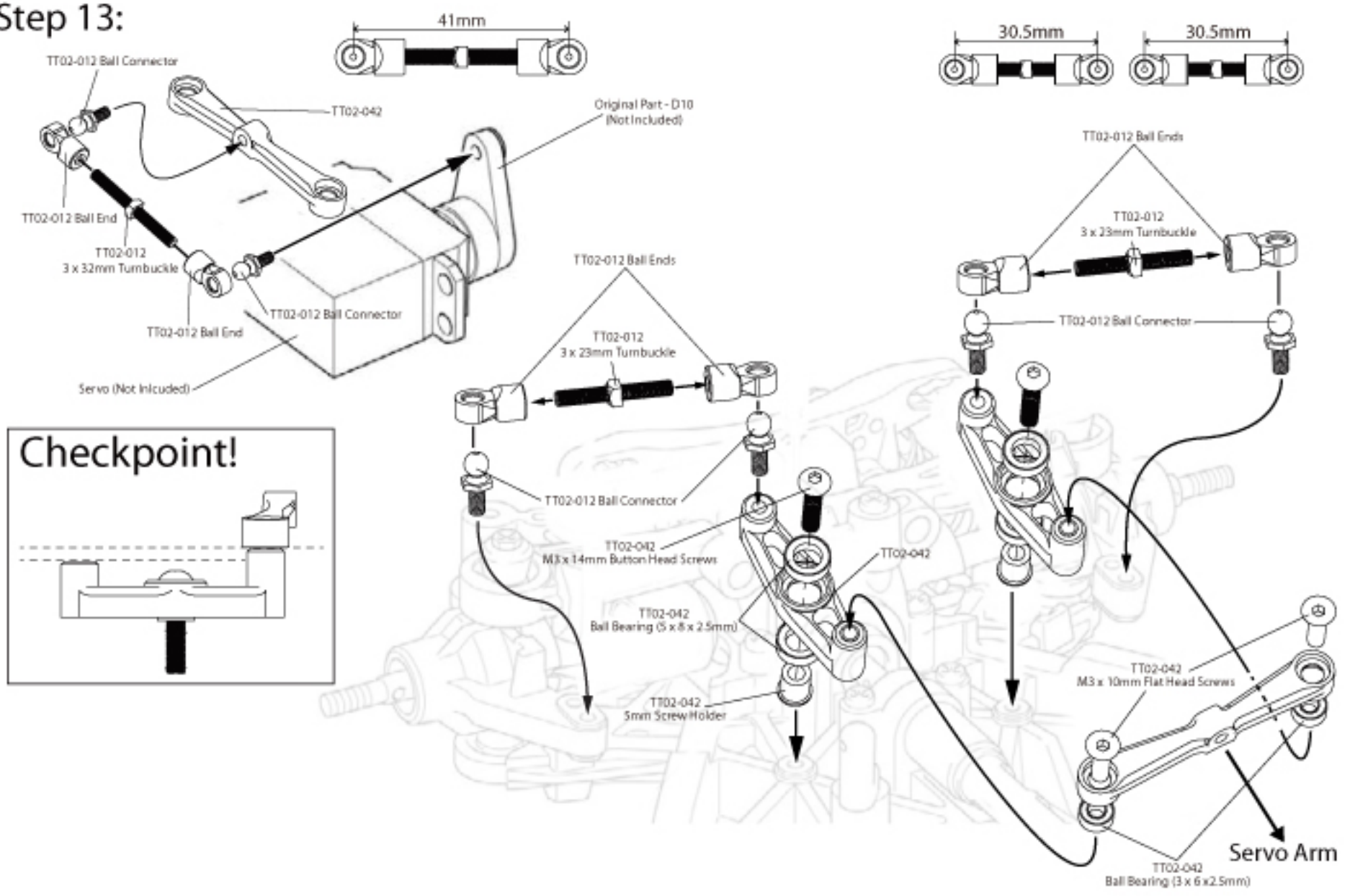
* Refer to the Shock-Gear Damper Manual for assembly.

Checkpoint:





BAG A2

-  X6 TT02-012 Ball End
-  X2 TT02-012 3 x 23mm Turnbuckle
-  X2 TT02-012 3 x 32mm Turnbuckle
-  X6 TT02-012 Ball Connector
-  X1 TT02-012 Ball Connector
-  X2 TT02-042 M3 x 10mm Flat Head Screw
-  X2 TT02-042 M3 x 14mm Button Head Screw
-  X2 TT02-042 Ball Bearing (3 x 6 x 2.5mm)
-  X4 TT02-042 Ball Bearing (5 x 8 x 2.5mm)
-  X2 TT02-042 Screw Holder

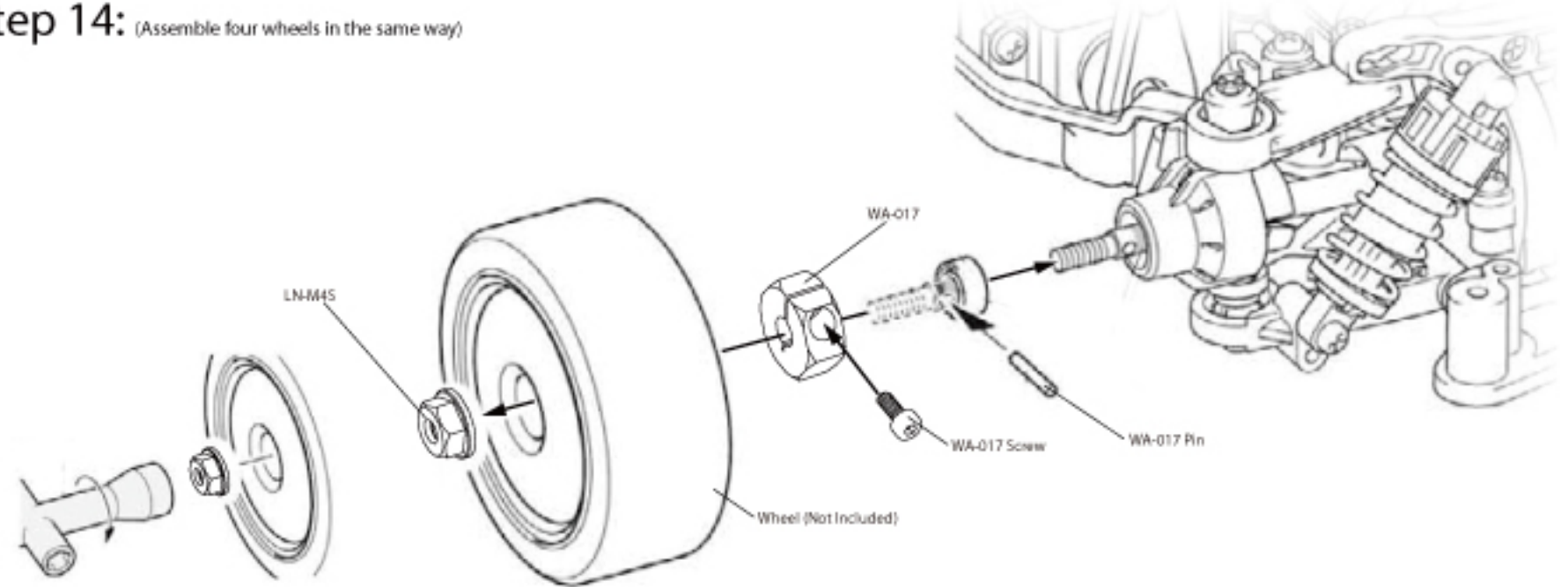
Step 13:



BAG A2

-  X4 WA-017
-  X4 WA-017 Screw
-  X4 WA-017 Pin
-  X4 LN-M45

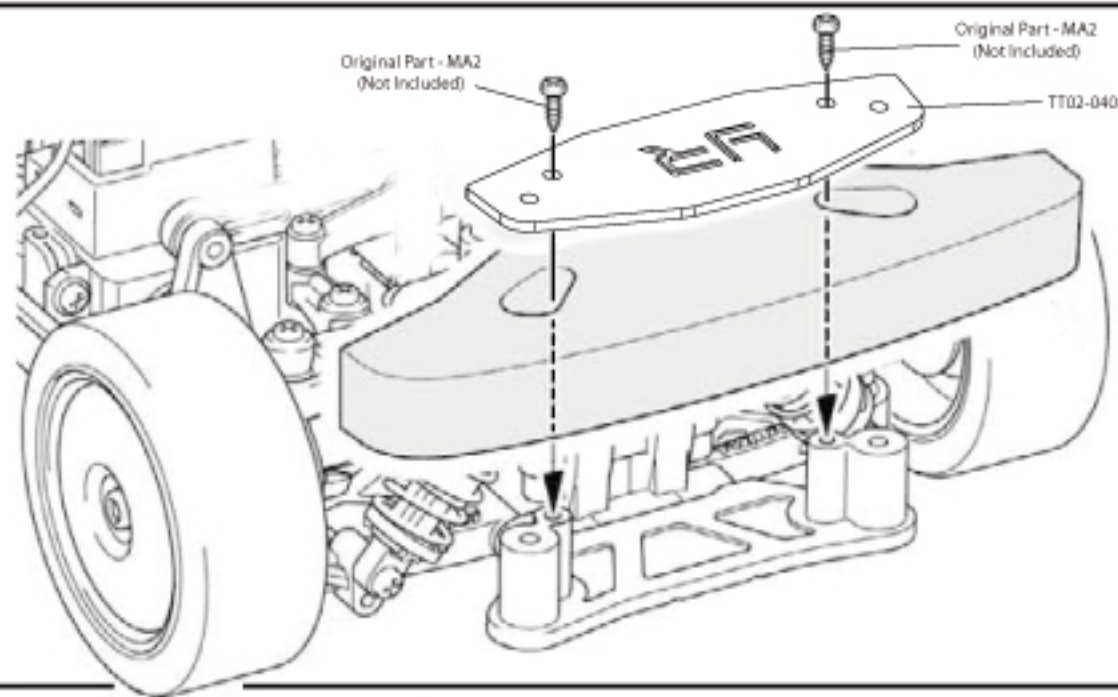
Step 14: (Assemble four wheels in the same way)



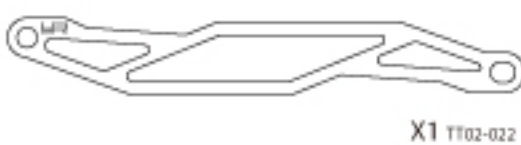
BAG C2



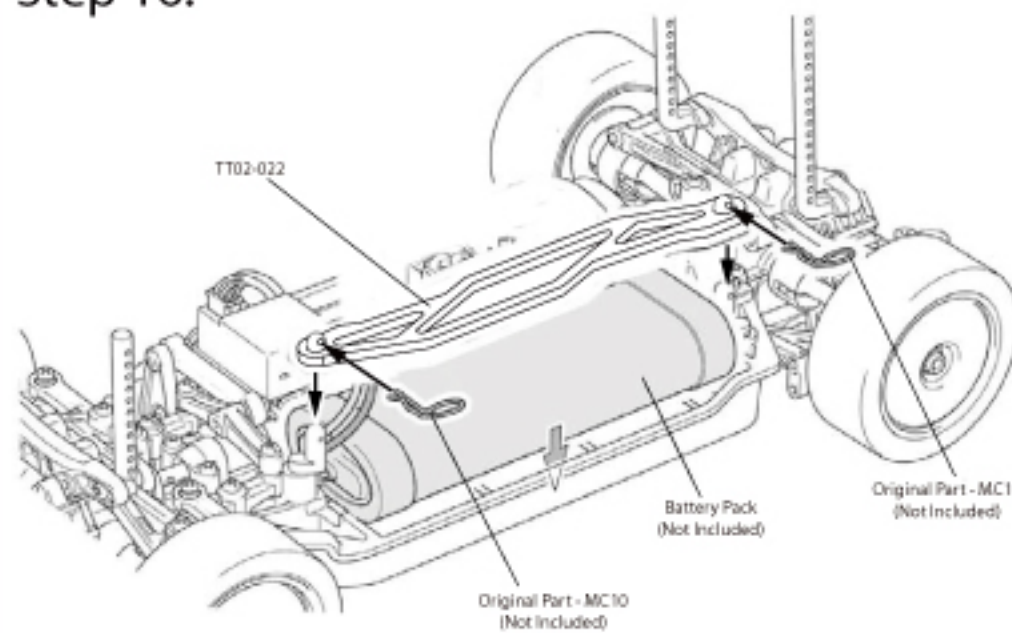
Step 15:



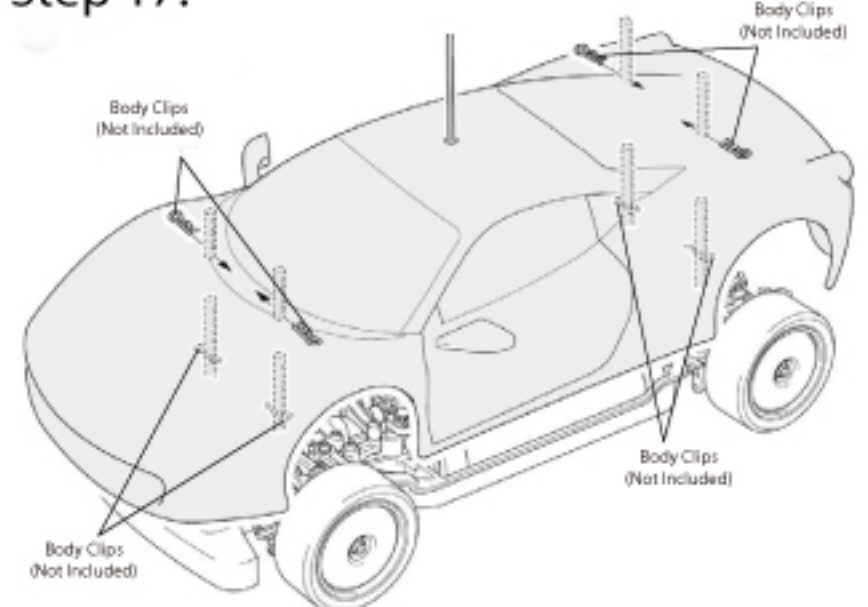
BAG B



Step 16:



Step 17:



Please refer to the original TT-02 manual for more details.
 # All of the images used in this manual are for reference only and not to scale.
 # The installation manual is based on model TT-02.
 # All the diagram shown in this manual are for reference only. The contents of the product may vary from the diagram illustrated.

Remark:
 YR is not liable for any direct, indirect, punitive, incidental, special consequential damages, to property or life, whatsoever arising out of or connected with the use or misuse of its products.

Presented By 
 Please visit our website for more information: www.yeahracing.com
 and product support: csd@yeahracing.com
 Please follow us for NEW Product Updates:    

