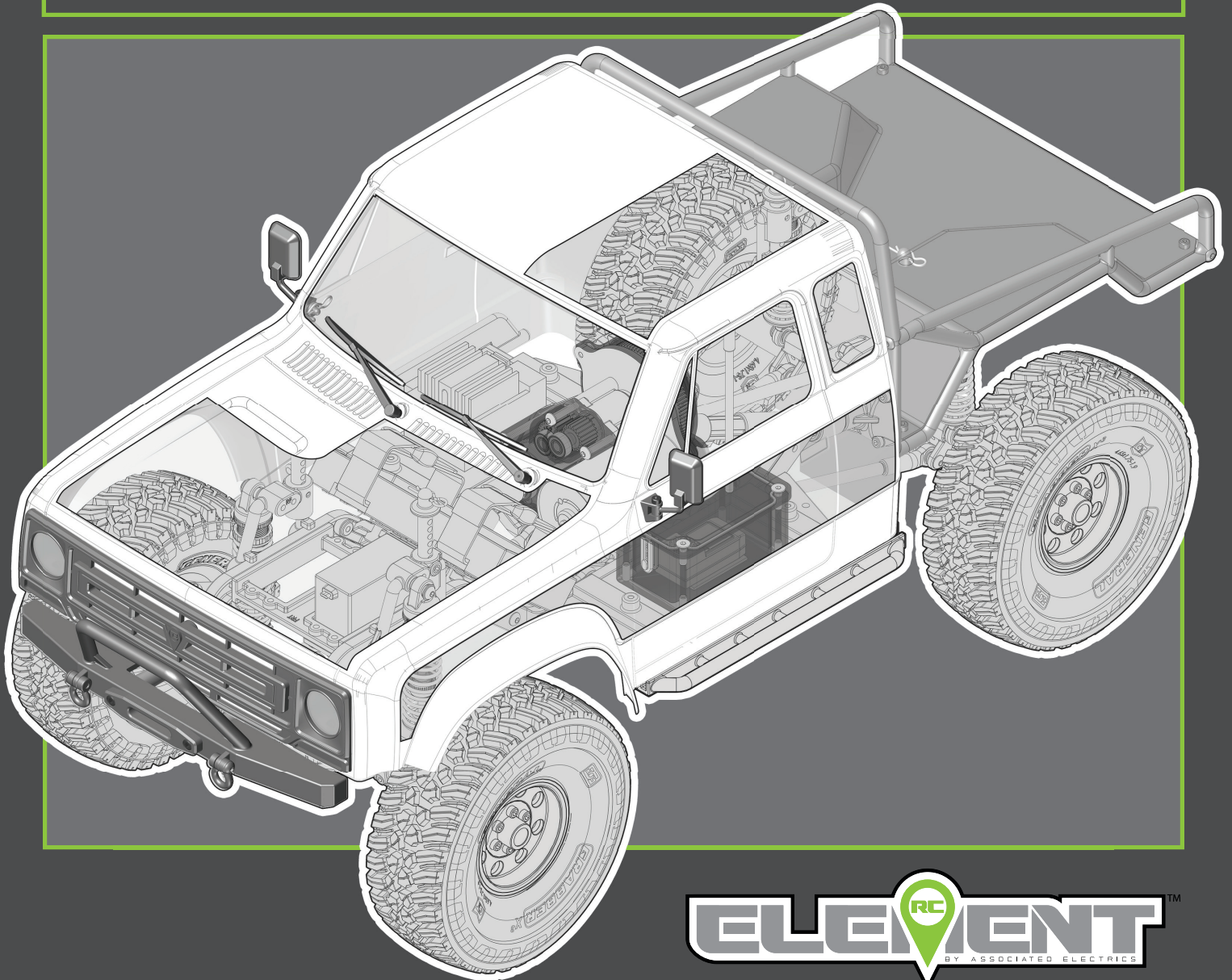


ENDURO

SENDERO HD
PICK-UP TRUCK BODY



OWNERS BUILD MANUAL





Associated Electrics, Inc.
21062 Bake Parkway
Lake Forest, CA 92630

Customer Service
Tel: 949.544.7500
Fax: 949.544.7501

Follow Us On Social Media



ElementRC



@Element_RC

www.ElementRC.com

AE is a Registered Trademark of Associated Electrics, Inc.

TEAM ASSOCIATED is a Registered Trademark of Associated Electrics, Inc.

REEDY is a Registered Trademark of Associated Electrics, Inc.

FACTORY TEAM is a Registered Trademark of Associated Electrics, Inc.

ELEMENT™ is a Trademark of Associated Electrics, Inc.

AREA 51 is a Registered Trademark of Associated Electrics, Inc.

STEALTH is a Registered Trademark of Associated Electrics, Inc.

GREEN SLIME is a Registered Trademark of Associated Electrics, Inc.

Your journey begins here.



INTRODUCTION

Thank you for purchasing this Element RC product. This assembly manual contains instructions and tips for building and maintaining your new Enduro chassis. Please take a moment to read through this manual to help familiarize yourself with these steps. We are continually changing and improving our designs; therefore, actual parts may appear slightly different than in the illustrations. New parts will be noted on supplementary sheets located in the appropriate parts bags.

ENDURO TRAIL TRUCK

A performance rig built to endure. When hitting the trail, you want to do it with confidence and the answer is the all new Enduro Trail Truck!

At the heart of the Enduro is our revolutionary Stealth® X gearbox. Although the exterior appears to have a conventional 3-gear transmission look, the inside is far from conventional. The Stealth® X features the ability to adjust the rear drive ratio independently of the front drive across three levels: stock overdrives the front end 5.7% (installed in RTR), option 1 provides a one-to-one drive ratio front-to-rear (available separately), and option 2 overdrives the front end 11.83% (included with RTR).

Feeding the power to the tires are 3-piece telescopic driveshafts with an extruded aluminum center section, universal front drive axles, and hardened steel ring and pinion gears. With the Enduro drivetrain, delivering useful power will not be an issue.

We relocated the steering link assembly from the conventional location, to behind the axle (BTA). This feature greatly improves approach angle and front end clearance, making rough terrain much easier to handle.

The Enduro Trail Truck comes ready for adventure right out of the box, with performance-driven Reedy Power electronics. The all-new, ultra-smooth and powerful, 16-turn 5-slot brushed crawler motor and Reedy Power SC480X electronic speed controller with T-plug connector, supply ample power to this tough rig. Controlling the beast on the trail is our 3-channel XPI30 2.4GHz radio and Reedy Power high-torque 1320MG metal gear servo.

With all this packed in one box, we know the Enduro Trail Truck is ready for the trail...Are you?

FEATURES

- | | | |
|---|---|--|
| <ul style="list-style-type: none"> • Stealth X Gearbox with adjustable overdrive gears • BTA steering [Behind the Axle] • CMS [Chassis Mounted Servo] • Integrated servo winch mount • Adjustable front track bar • Universal front drive axles • Stamped steel C-Channel frame rails • Enclosed receiver box • 12mm wheel hexes • Adjustable front and rear bumper mounts • Adjustable width rock sliders • Two battery boxes (Shorty and regular size!) • Threaded aluminum shock bodies • Aluminum steering plates • Aluminum motor plate • Adjustable body posts • Optimized rod ends for more fluid axle articulation | <ul style="list-style-type: none"> • Adjustable rear shock mount positions • Telescopic driveshaft's front and rear • Extruded aluminum driveshaft splines • One-piece rear axle design • Splined front axle with adjustable caster • Machined input pinion gear • Metal ring gear • Machined steel top shaft • Metal idler gears • Heavy duty 5mm diameter steel links • Precision metal ball bearings included • Steel servo horn • Licensed 1.9"x4.65" General Grabber X3 tires | <p>ELECTRONICS:</p> <ul style="list-style-type: none"> • Water resistant 2S-3S LiPo compatible Reedy SC480X brushed electronic speed control with adjustable drag brake and T-plug battery connector • Smooth and powerful Reedy Crawler 16T 5-slot brushed motor • XPI30 2.4GHz radio system (3 Channel) • Reedy high-torque 1320MG metal gear servo (13kg/180 oz.) <p>SENDERO BODY FEATURES:</p> <ul style="list-style-type: none"> • Sendero body thermoformed in high-strength polycarbonate • Two-piece cab and bed design • Clear windows • Molded grill • Replaceable headlight lenses • Pivoting side mirrors • LED headlights • Adjustable front bumper |
|---|---|--|

ITEMS NEEDED

The following items are required to build or maintain your Enduro Trail Truck.

- 1.5mm Allen Wrench (#1500)
- 2mm Allen Wrench (#1501)
- 2.5mm Allen Wrench (#1503)
- Pliers
- Long Nose Pliers
- 5.5mm Nut Driver (#1507)
- 7mm Nut Driver (#1508)

OTHER HELPFUL ITEMS

The following items aren't required, but will aid in the building and maintaining of your Enduro Trail Truck.

- Threadlock (#1596)
- Green Slime (#1105)

HARDWARE 1:1 SCALE VIEW

HARDWARE USED WITH OPTIONAL REPLACEMENT PART NUMBERS

FLAT HEAD SCREWS (FHCS)

2.5x10mm (31350)



2.5x14mm (41077)



3x8mm (25201)



3x10mm (25202)



3x12mm (25203)



3x14mm (89208)

BUTTON HEAD SCREWS (BHCS)2.6x10mm (41088)
Self Tapping Thread

3x5mm (31530)



3x6mm (31531)

3x8mm (31532)
Aluminum (8552)3x10mm (25211)
Aluminum (8554)

3x12mm (89202)



3x14mm (25187)



3x16mm (89203)



3x18mm (2308)



3x20mm (25188)



3x28mm (41078)

SOCKET HEAD SCREWS (SHCS)2x5mm (31511)
Aluminum (8566)

2x8mm (7187)



2.5x6mm (41079)



2.5x10 (41087)



2.5x14 (71032)



2.5x16 (41086)

SET SCREWS

3x3mm (25225)



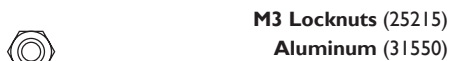
3x16mm (4689)

PIVOT BALLS

Pivot Ball, Short (42041)



Pivot Ball, Long, Upper Shock (42041)

LOCK NUTSM3 Locknuts (25215)
Aluminum (31550)

M4 Locknut W/Flange (25391)

BEARINGS

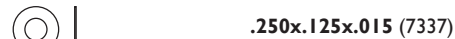
5x10x4mm (91560)



7x14x3.5mm (91474)



10x15x4mm (91563)

SHIMS AND WASHERS

.250x.125x.015 (7337)



Servo Horn Spacer (42041)



Drive Gear Shim (42027)

MISC. SCREWS

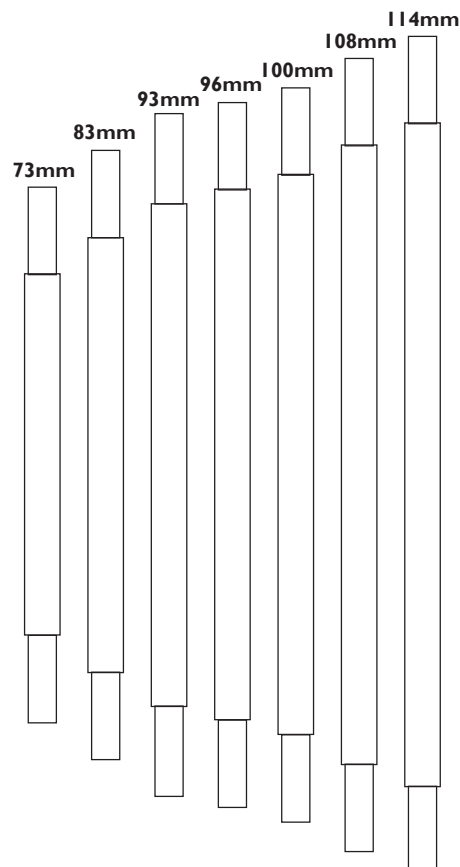
Shoulder Screw 3x4x10mm (42070)



Screw Pin (42022)



Pin 2x11mm (42019)

LINKS

73mm

83mm

93mm

96mm

100mm

108mm

114mm

TABLE OF CONTENTS

5/8/2023

01	COVER	12	DRIVESHAFTS BUILD (BAG 8)
02	INTRODUCTION	13	SHOCKS BUILD (BAG 9)
03	1:1 HARDWARE "FOLD OUT"	14	BUMPERS BUILD (BAG 10)
04	TABLE OF CONTENTS	14	WHEELS/TIRES BUILD
05	CHASSIS BUILD (BAG 1, 2)	15	BODY BUILD (BAG 11)
06	ELECTRONIC MOUNTS BUILD (BAG 3)	16	CATALOG
07	GEARBOX BUILD (BAG 4)	24	OPTIONAL GEARBOX BUILD
08	FRONT AXLES BUILD (BAG 5)	25	TRAIL TIPS
09	REAR AXLES BUILD (BAG 6)	26	BACK COVER
09	LINKS BUILD (BAG 7)		

USING THIS MANUAL



This symbol indicates a special note or instruction in the manual.

x2

This symbol indicates the number of the same part that is required.



This symbol indicates the order within a step to assemble parts.



This symbol indicates a Trail Tip.



This symbol indicates where Black Grease should be applied.



This symbol indicates where Green Slime can be applied. *not included



This symbol indicates where Thread Lock Adhesive should be applied. *not included



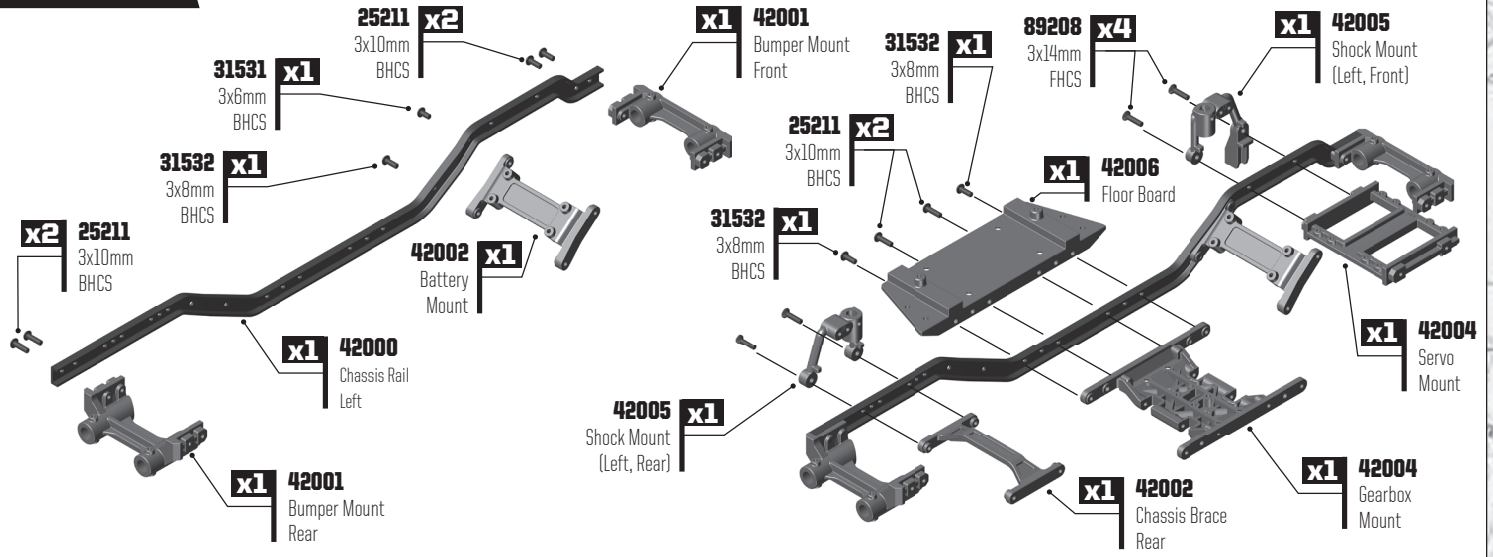
This symbol indicates where Shock Fluid should be applied.



There is a 1:1 hardware foldout page in the front of the manual. To check the size of a part, line up your hardware with the correct drawing until you find the exact size. Each part in the foldout has a number assigned to it for ordering replacement parts.

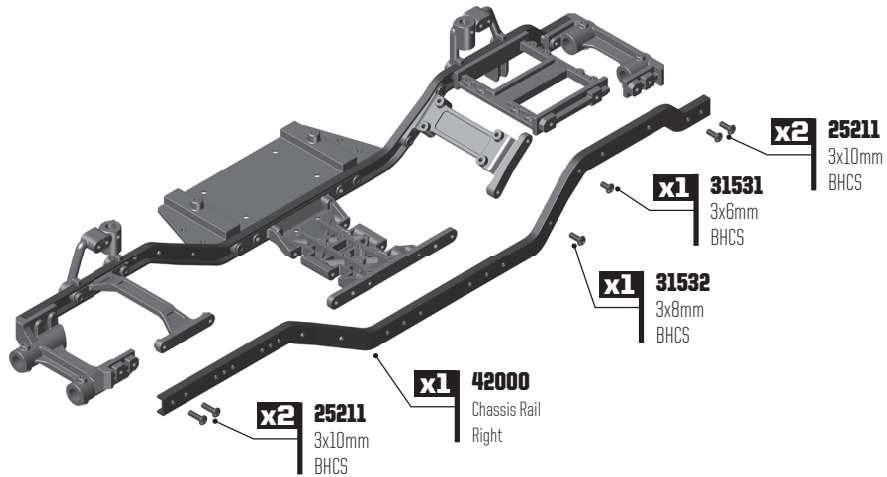
GATE 01

CHASSIS BUILD: BAG 1, 2



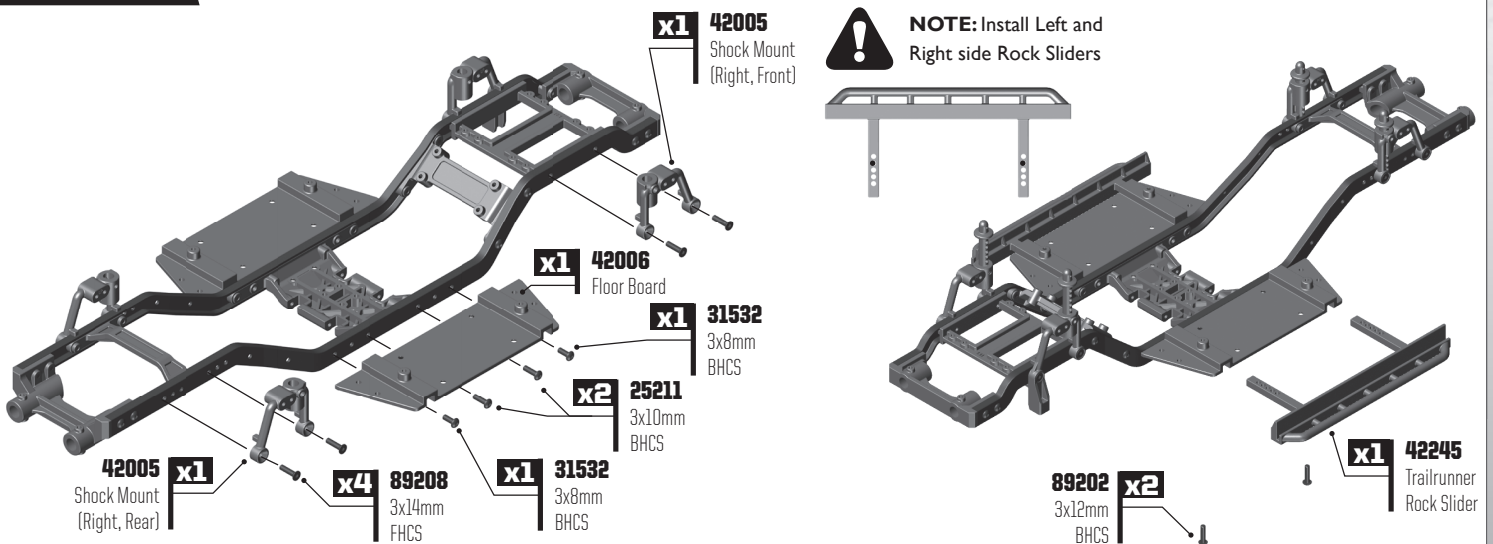
GATE 02

CHASSIS BUILD: BAG 1, 2

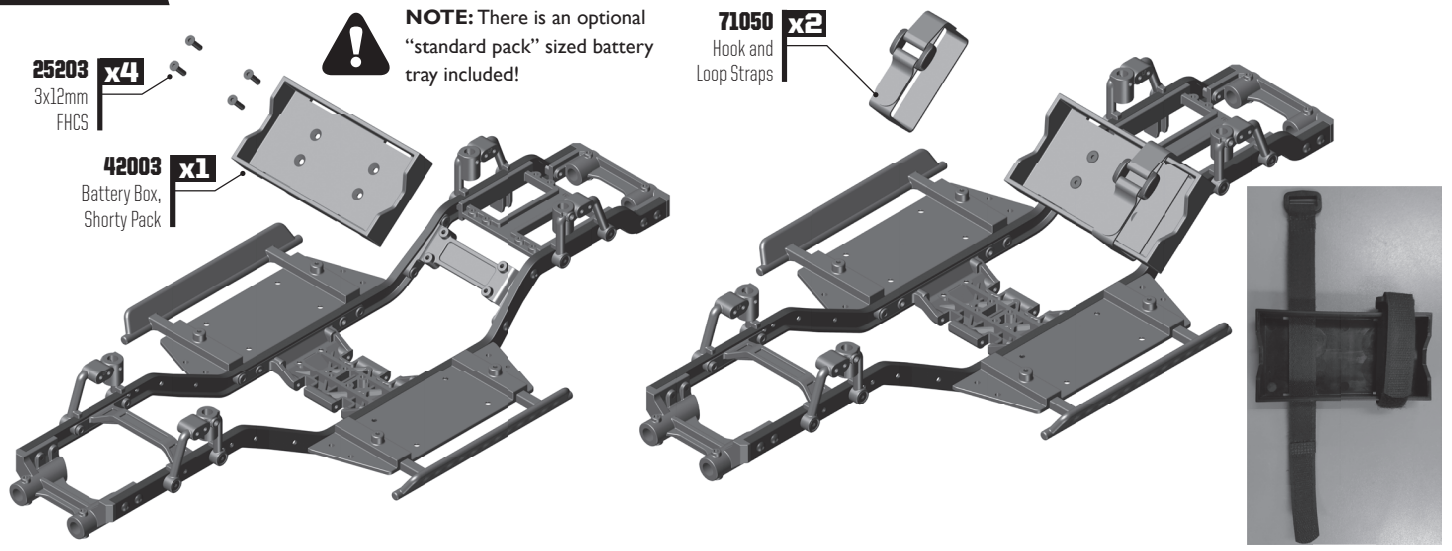


GATE 03

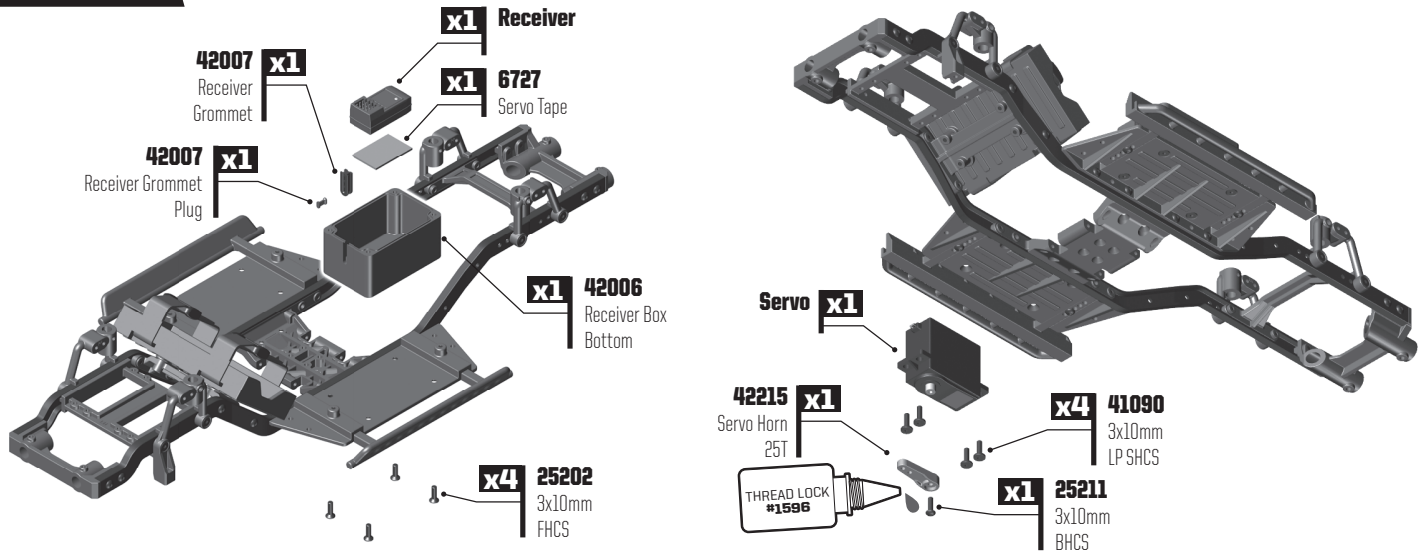
CHASSIS BUILD: BAG 1, 2



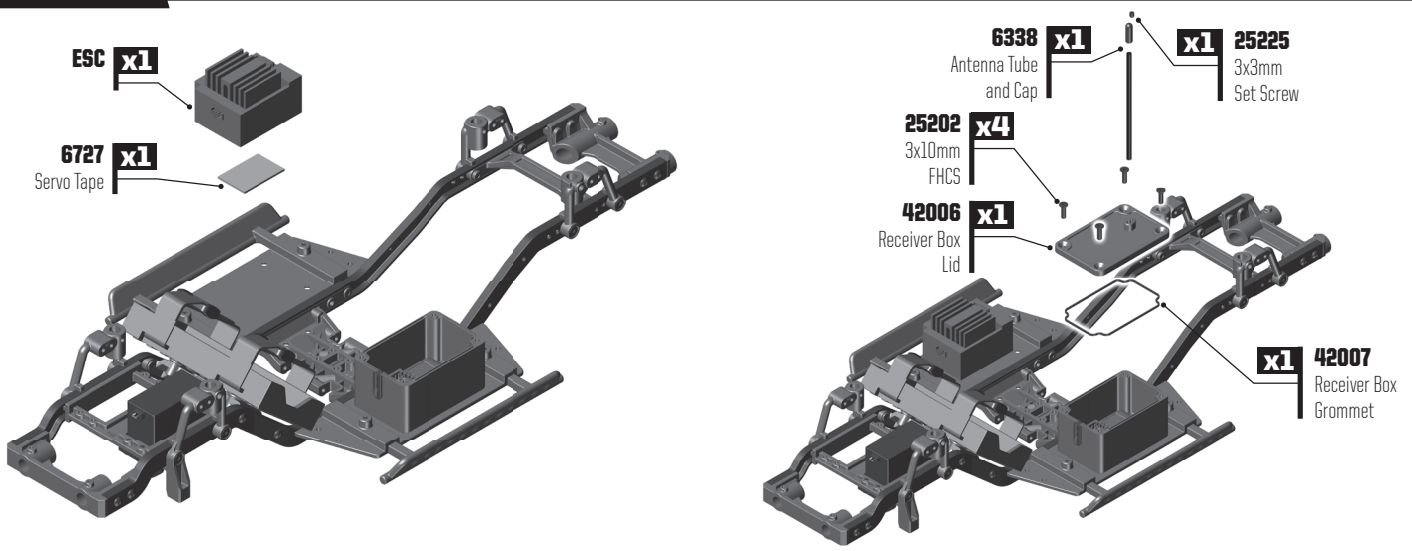
GATE 01 ELECTRONIC MOUNTS BUILD: BAG 3



GATE 02 ELECTRONIC MOUNTS BUILD: BAG 3



GATE 03 ELECTRONIC MOUNTS BUILD: BAG 3



GATE 01 GEARBOX BUILD: BAG 4

BLACK GREASE #6588

- x1 42028** Stealth X Gearbox Drive Gear, 53T
- x1 42027** Stealth X Gearbox Outdrive, Long
- x4 31350** 2.5x10mm FHCS
- x2 91563** 10x15x4mm Bearing
- x1 42027** Stealth X Gearbox Outdrive, Short
- x1 42027** Stealth X Gearbox Drive Gear Shim
- x1 42028** Stealth X Gearbox Drive Gear, 52T
- x4 41077** 2.5x14mm FHCS

NOTE: Make sure the 10x15x4mm bearing is completely seated in the short outdrive

GATE 02 GEARBOX BUILD: BAG 4

- x2 42025** Idler Shaft Pin 2x9mm
- x1 42025** Stealth X Gearbox Idler Shaft
- x1 42026** Stealth X Gearbox Idler Gear, 27T
- x1 42026** Stealth X Gearbox Idler Gear, 28T
- x4 91560** 5x10x4mm Bearing
- x1 42030** Stealth X Gearbox Top Shaft, Rear
- x5 41078** 3x28mm BHCS
- x2 91563** 10x15x4mm Bearing
- x1 42023** Stealth X Gearbox Case
- x1 42023** Stealth X Gearbox Case

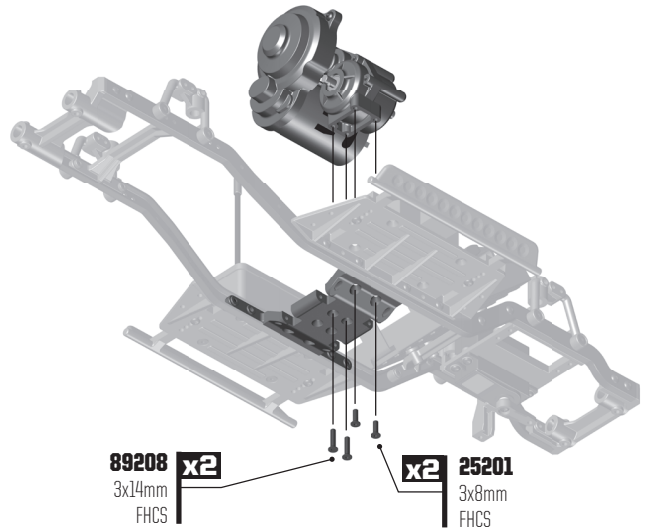
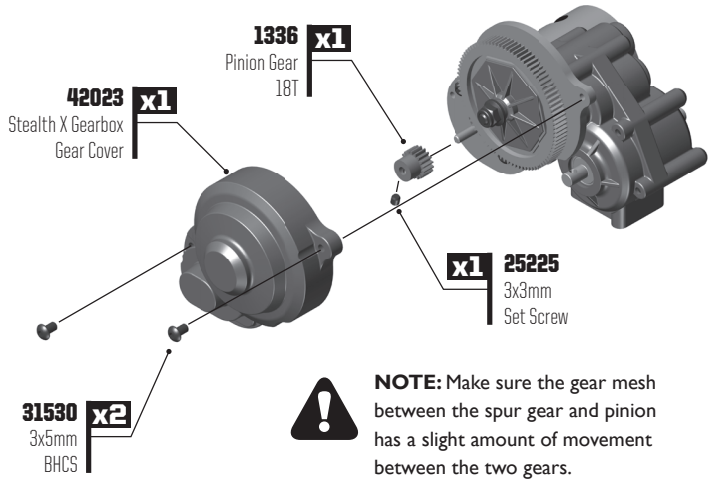
NOTE: There are optional gearbox builds on page 24

Over Drive Option I (Stock)

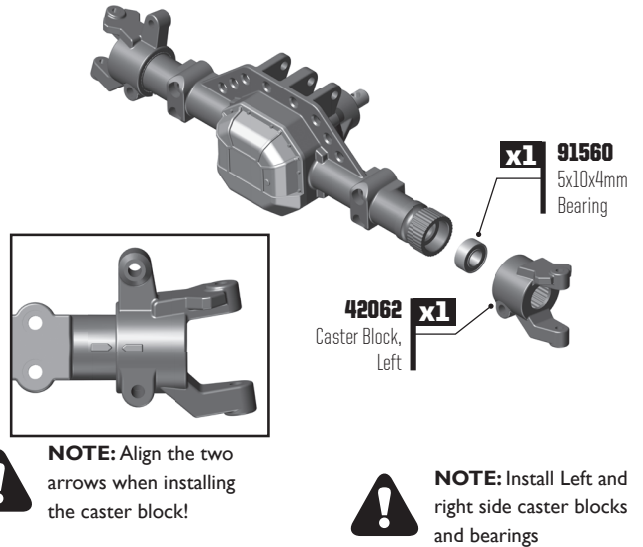
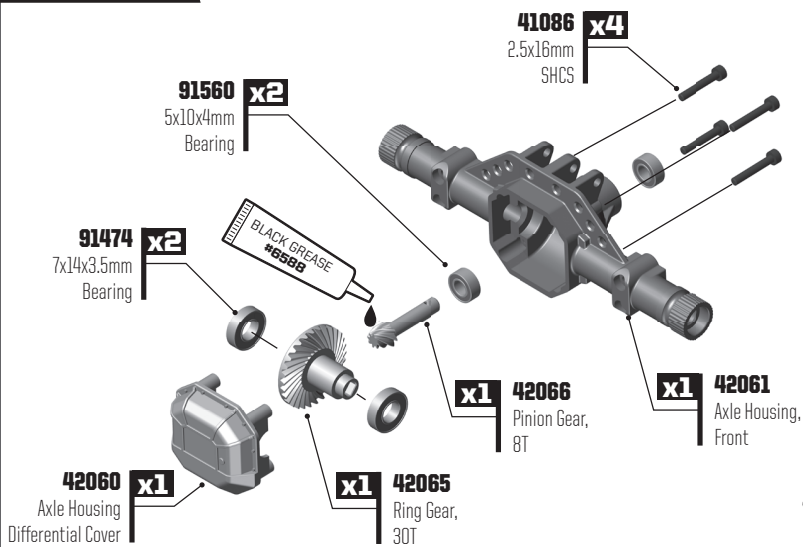
GATE 03 GEARBOX BUILD: BAG 4

- x1 42029** Stealth X Gearbox Motor Plate
- x3 25201** 3x8mm FHCS
- x2 42023** Stealth X Gearbox Spur Gear Hub
- x1 25391** FT M4 Locknut
- x2 41090** 3x10mm LP SHCS
- x1 9654** Spur Gear 48P, 87T
- x1 Motor**

GATE 04 GEARBOX BUILD: BAG 4

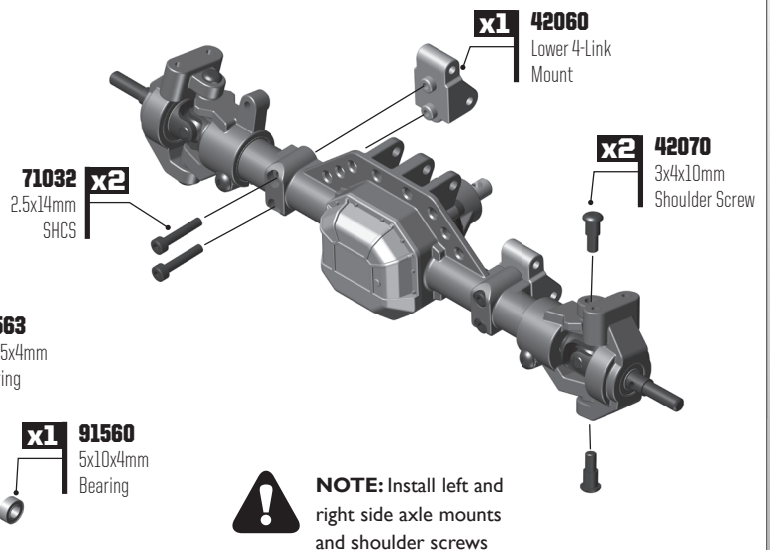
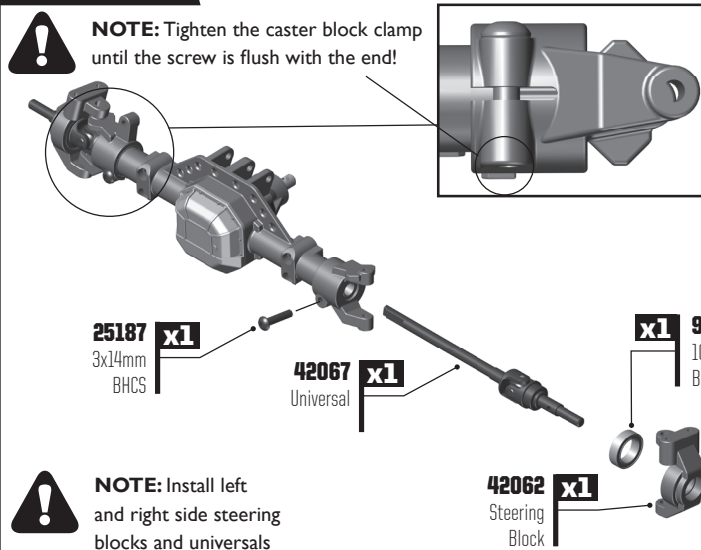


GATE 01 FRONT AXLE BUILD: BAG 5



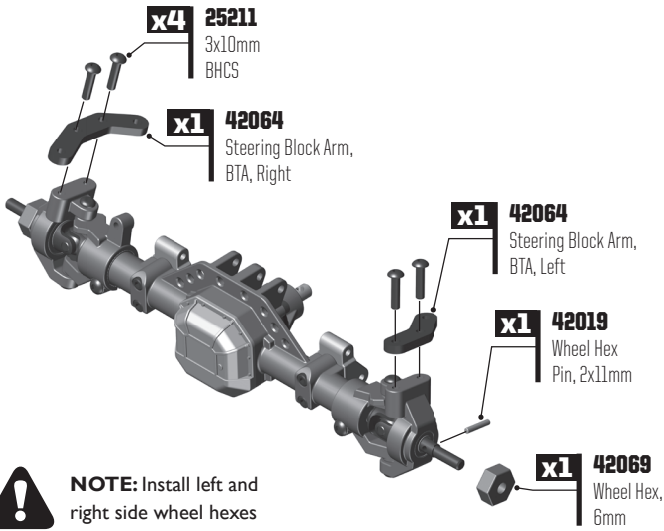
NOTE: Install Left and right side caster blocks and bearings

GATE 02 FRONT AXLE BUILD: BAG 5



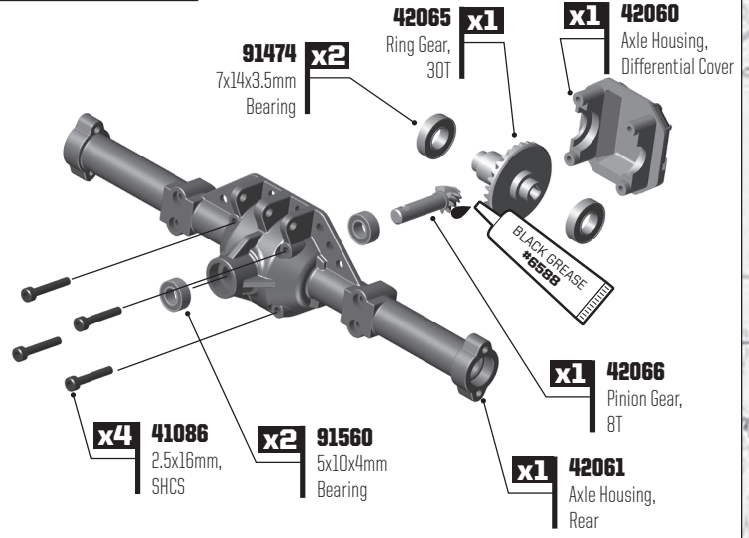
NOTE: Install left and right side steering blocks and universals

GATE 03 FRONT AXLE BUILD: BAG 5

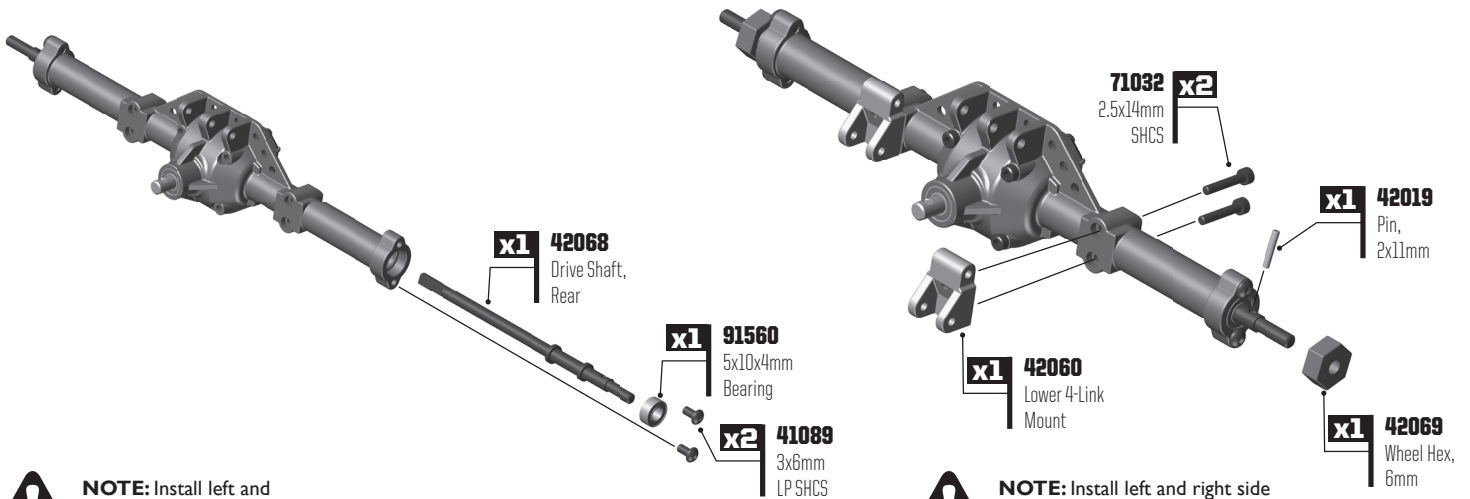


NOTE: Install left and right side wheel hexes

GATE 01 REAR AXLE BUILD: BAG 6



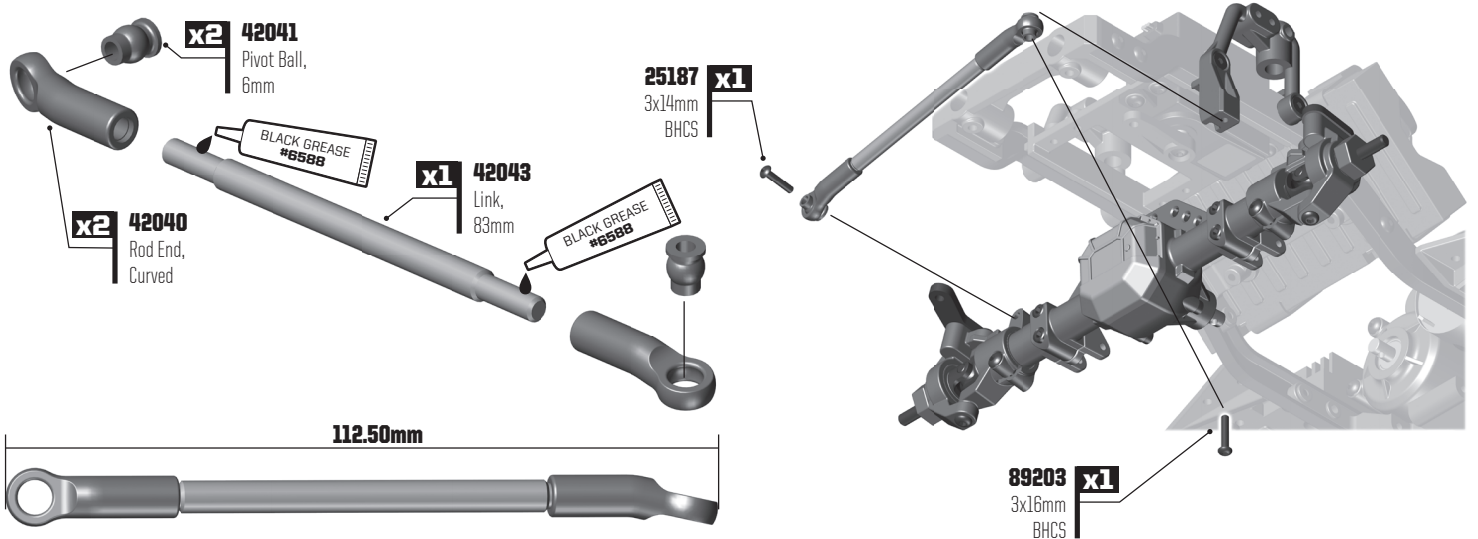
GATE 02 REAR AXLE BUILD: BAG 6



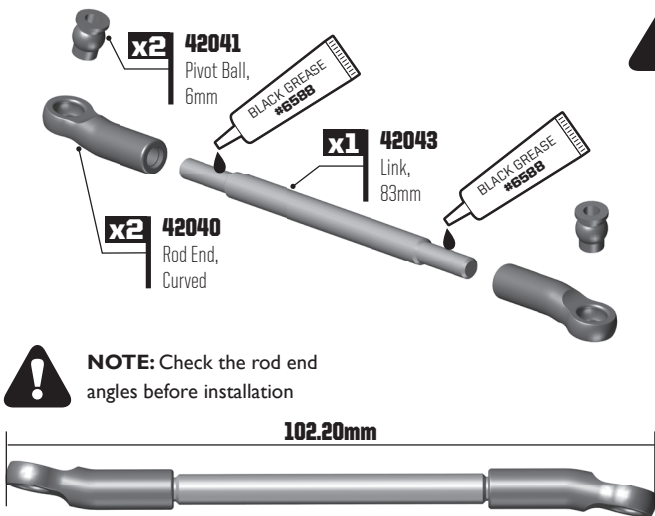
NOTE: Install left and right side drive shafts

NOTE: Install left and right side axle mounts and wheel hexes

GATE 01 LINKS BUILD: BAG 7



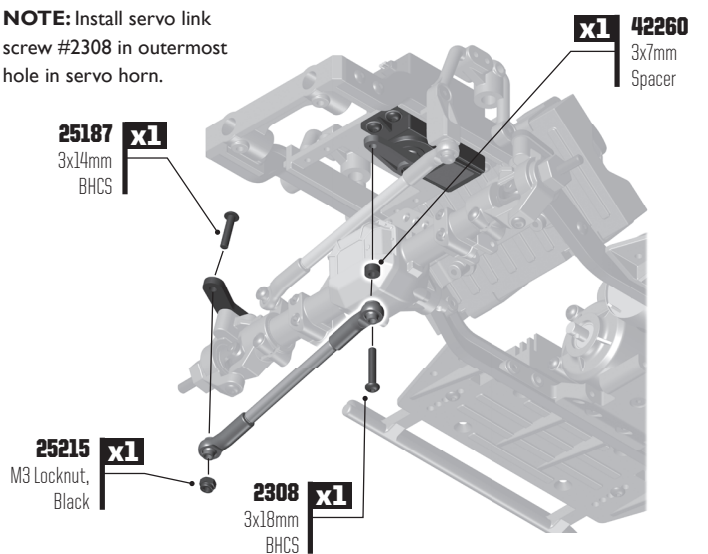
GATE 02 LINKS BUILD: BAG 7



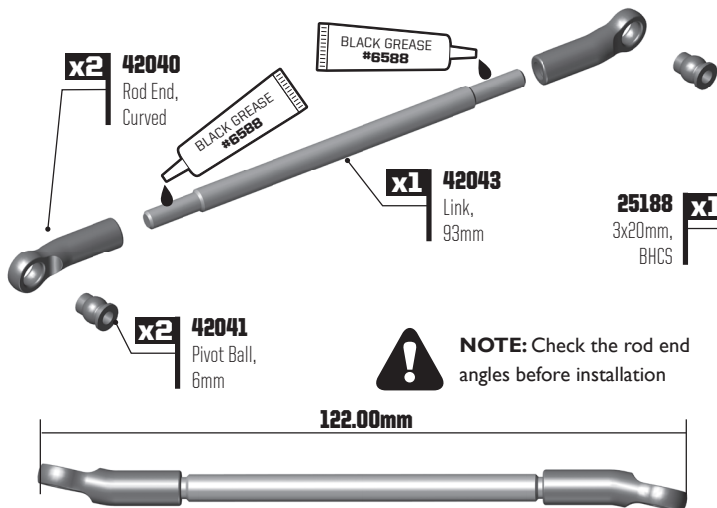
NOTE: Check the rod end angles before installation



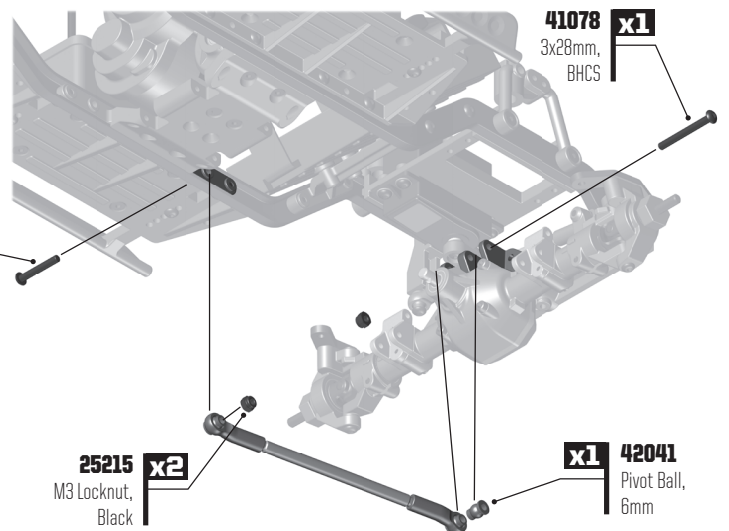
NOTE: Install servo link screw #2308 in outermost hole in servo horn.



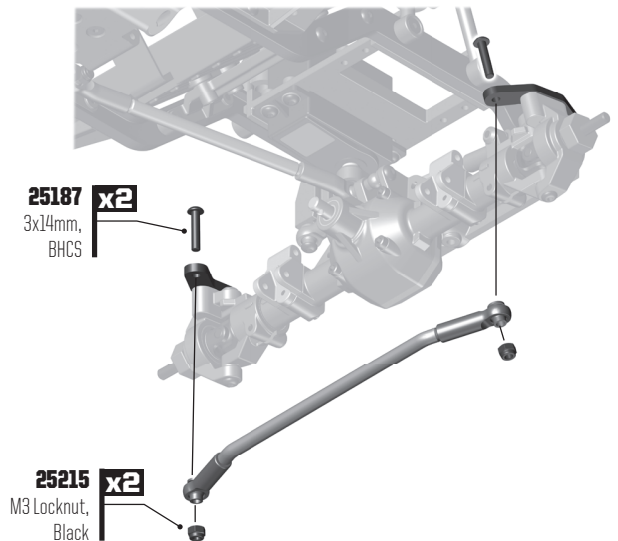
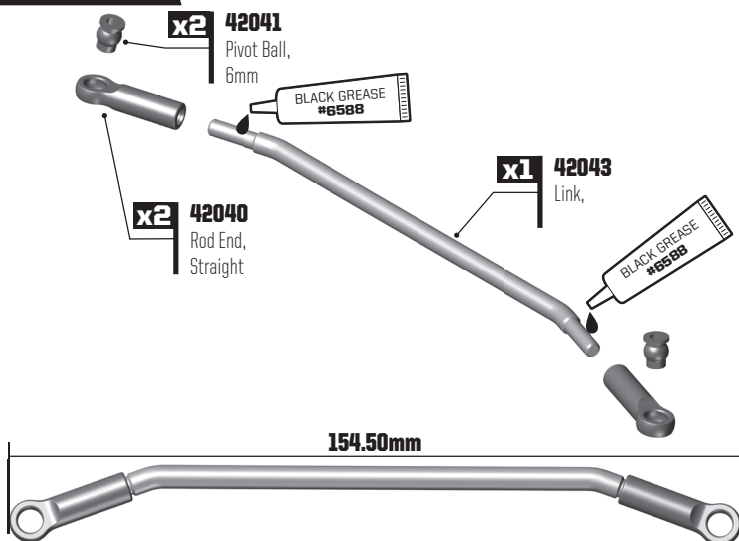
GATE 03 LINKS BUILD: BAG 7



NOTE: Check the rod end angles before installation



GATE 04 LINKS BUILD: BAG 7



GATE 05 LINKS BUILD: BAG 7

NOTE: Build and install two rear upper links

- x2 42041 Pivot Ball, 6mm
- BLACK GREASE #6588
- x1 42044 Link, 108mm
- BLACK GREASE #6588
- x2 42040 Rod End, Curved

NOTE: Check the rod end angles before installation

137.00mm

- x1 25188 3x20mm, BHCS
- 41078 3x28mm BHCS
- x1 25215 M3 Locknut, Black

GATE 06 LINKS BUILD: BAG 7

NOTE: Build and install two front lower links

- x2 42041 Pivot Ball, 6mm
- BLACK GREASE #6588
- x1 42043 Link, 100mm
- BLACK GREASE #6588
- x2 42040 Rod End, Curved

NOTE: Check the rod end angles before installation

129.50mm

- x1 25187 3x14mm, BHCS
- x1 4689 3x16mm, Set Screw

GATE 07 LINKS BUILD: BAG 7

NOTE: Build and install two rear lower links

- x2 42041 Pivot Ball, 6mm
- BLACK GREASE #6588
- x1 42044 Link, 114mm
- BLACK GREASE #6588
- x2 42040 Rod End, Curved

NOTE: Check the rod end angles before installation

143.00mm

- x1 25187 3x14mm BHCS
- x1 4689 3x16mm, Set Screw

GATE 01 DRIVE SHAFT BUILD: BAG 8

Parts List:

- x2 42021 Pin, 2x11mm
- x1 42020 Drive Shaft, Female (33mm, 42mm)
- x2 31532 3x8mm BHCS
- 42021 Drive Shaft, Male, CVA
- x2 42021 Drive Shaft, Female, CVA
- x2 42021 Drive Shaft Barrel
- 2 x THREAD LOCK #1596
- x1 42020 Pin Retainer, Short
- x1 42020 Drive Shaft, Male (48mm, 60mm)
- x1 42020 Gearbox Side
- x1 42020 Axle Side
- x1 42020 Pin Retainer, Long

Drive Shaft Lengths

	Front (mm)	Rear (mm)
Female 1	33	33
Female 2	33	42
Male	48	60

NOTE: Build a front and rear drive shaft

GATE 02 DRIVESHAFT BUILD: BAG 8

NOTE: Install the front drive shaft

NOTE: Install the rear drive shaft

GATE 03 DRIVESHAFT BUILD: BAG 8

NOTE: Make sure the screw pins are aligned with each female CVA during assembly

NOTE: Make sure the phasing of the drive shafts is correct when installing them to the axles and gearbox.

Correct Phasing

Incorrect Phasing

FRONT 33 48 33

REAR 42 60 33

42022 x4 Screw Pin

THREAD LOCK #1596

GATE 01 SHOCK BUILD: BAG 9

x1 42081 Shock Piston

x2 6299 E-Clip

x1 42083 Shock Shaft, 3x30mm

SHOCK CAP O-RING

SHOCK COLLAR O-RING

x1 42081 O-Ring, Small, Shock Cap

x1 42082 Shock Body, 10x32mm

x2 5407 O-Ring, Red

x1 42081 Shock O-Ring Spacer

x1 42080 Shock Bottom Cap

x1 42040 Enduro Rod Ends

Pro Tip: Use #1105 Green Slime on O-Rings

NOTE: Build 4 complete shocks

GATE 02 SHOCK BUILD: BAG 9

Shock Bleeding Steps:

1. Pull shock shaft down.
2. Fill shock body 3/4 full with silicone fluid.
3. Slowly move the shock shaft up and down to remove air from under piston.
4. Wait for bubbles to come to surface.
5. Fill shock body to top with silicone fluid.
6. Place a drop of oil in the cap and on cap threads.
7. Install cap and tighten completely.
8. Slowly compress shaft all the way to the top. If there is pressure at the top of the stroke, there is too much oil or air. You must bleed it out.
9. Slowly pull shaft out.
10. Unscrew the cap 3/4 turn and tilt the shock at a slight angle.
11. Slowly compress the shaft to push out excess oil and air. You should see bubbles coming out from under the cap.
12. With the shaft compressed, tighten the cap and re-check for pressure at the top of the stroke. If there is still pressure, repeat steps 9 thru 11.

NOTE: Build 4 complete shocks

x1 42080 Shock Cap, Enduro

Step 1-3 **Step 3-4** **Step 5-6** **Step 7** **Step 8-12**

GATE 03 SHOCK BUILD: BAG 9

NOTE: Seat O-Ring into the groove on the inside of the shock collar

x1 42081 O-Ring, Large, Shock Collar

x1 42079 Shock Collar, Black, Aluminum

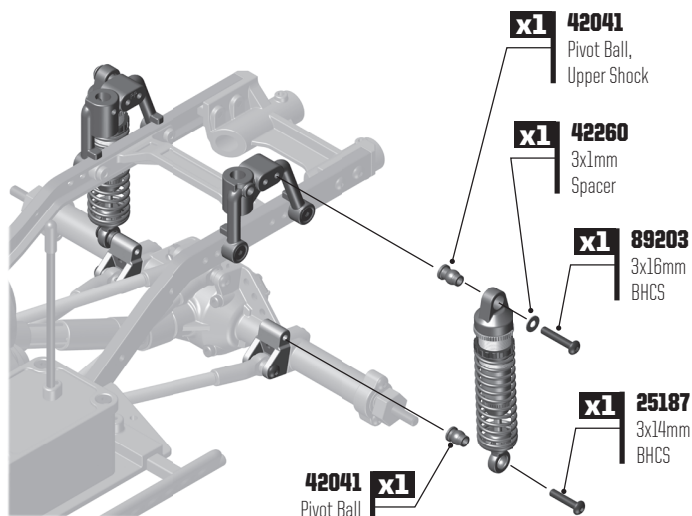
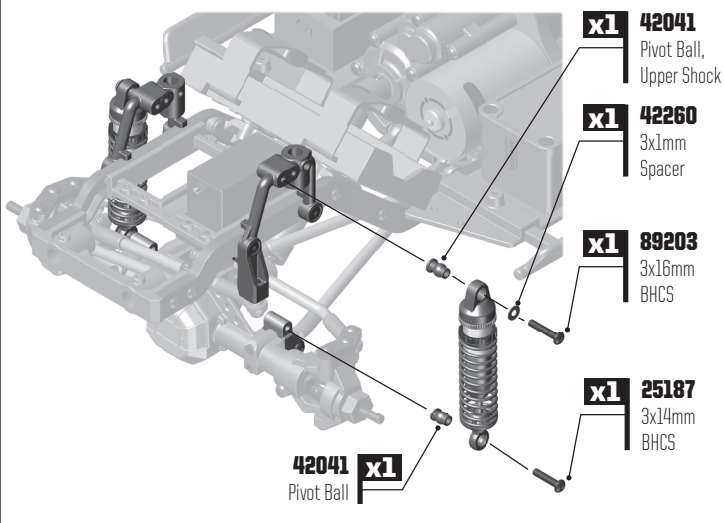
x1 42089 Shock Spring, Gray, 1.49 lb/in, 63mm

x1 42080 Shock Spring Cup

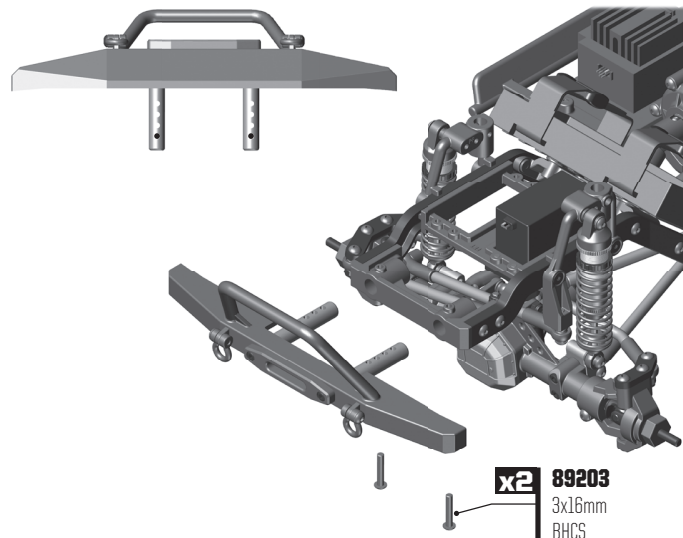
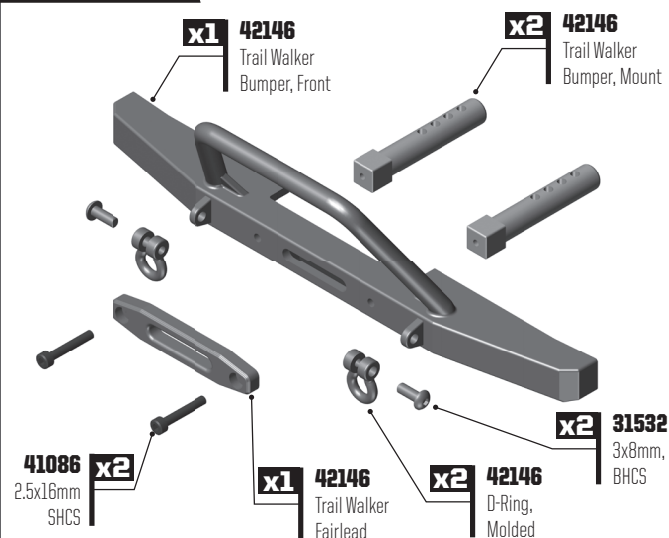
3mm

NOTE: Build 4 complete shocks

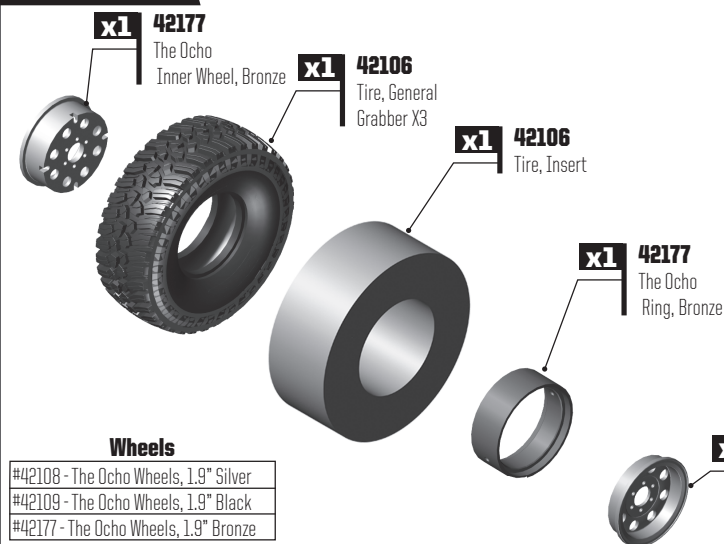
GATE 04 SHOCK BUILD: BAG 9



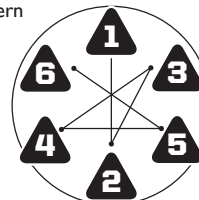
GATE 01 BUMPER BUILD: BAG 10



GATE 01 WHEEL/TIRE BUILD



NOTE: Install #41088 screws in a crossing pattern

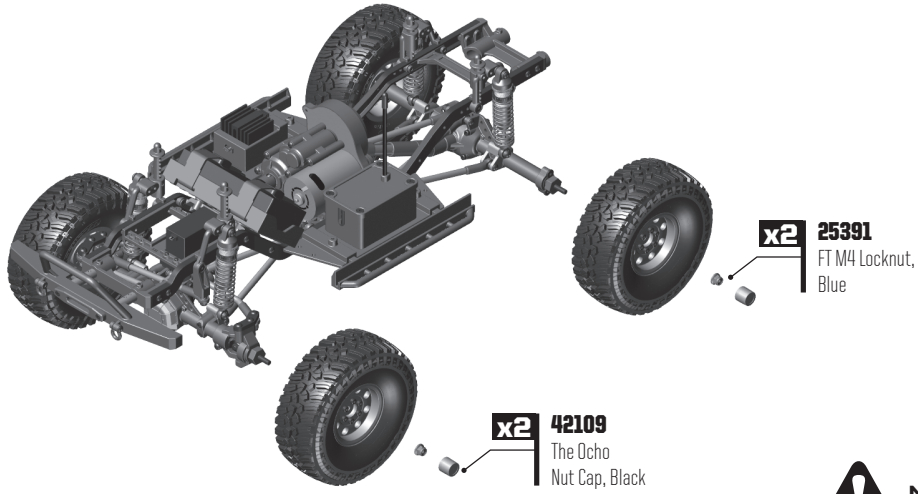


NOTE: Build 4 wheels/tires

Wheels

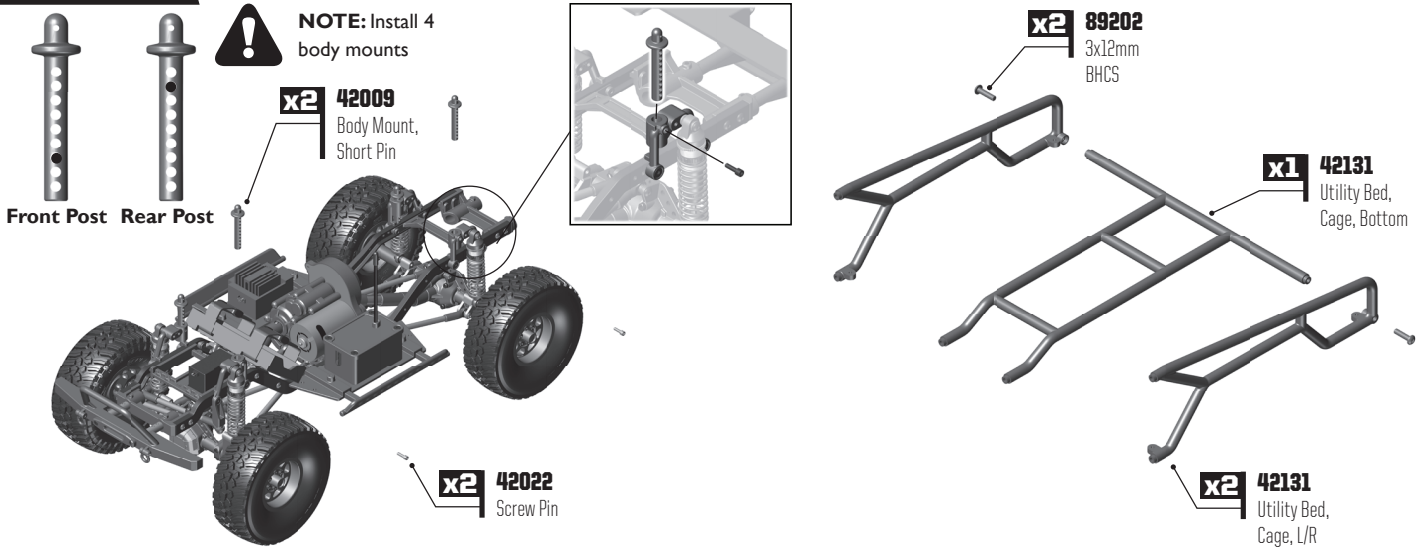
- #42108 - The Ocho Wheels, 1.9" Silver
- #42109 - The Ocho Wheels, 1.9" Black
- #42177 - The Ocho Wheels, 1.9" Bronze

GATE 02 WHEEL/TIRE BUILD

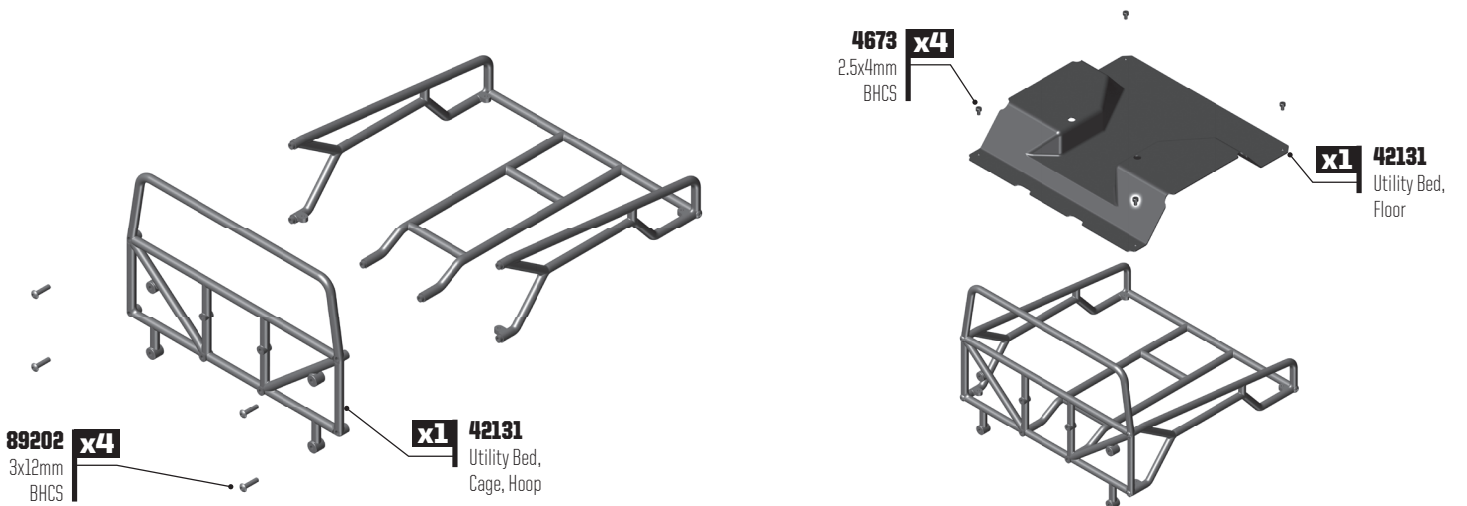


NOTE: Install 4 wheels/tires

GATE 01 BODY BUILD: BAG 11



GATE 02 BODY BUILD: BAG 11



GATE 03 BODY BUILD: BAG 11

x2 42125 Sendero Windshield Wiper Blade

x1 42120 Sendero Body, Cab, Clear

x1 See Chart Sendero HD Body Set

x2 31509 2x3mm BHCS

x2 21173 Body Clip, Small

x2 7187 2x8mm SHCS

x2 42125 Side Mirror, Black

x2 42125 Side Mirror Mount, Black

x2 5407 O-Ring

x2 41079 2.5x6mm SHCS

x2 42125 Sendero LED Mount

x2 42125 Sendero Headlight Lens

x1 42125 Sendero Grill Backing Plate

x2 42125 Sendero Headlight Bucket

x2 42125 Sendero Turn Signal Lens

x7 31531 3x6mm BHCS

x1 42125 Sendero Grill, Black

x2 42125 Sendero Grill, Black

NOTE: Install body clip and o-ring inside the body

NOTE: Install light buckets and hardware inside the body

GATE 04 BODY BUILD: BAG 11

x1 42131 Utility Bed, Mounting Plate

x2 25202 3x10mm FHCS

x2 89209 3x18mm FHCS

x4 42120 Sendero Body, Bed Mount

x4 25203 3x12mm, FHCS

x4 6332 Body Clips

Bodies

#42178 - Sendero HD Body Set, Titanium
#42120 - Sendero Body Set, Clear
#42122 - Sendero Decal
#42125 - Sendero Body Accessories
#42131 - Sendero Utility Bed
#42194 - Sendero HD Body Set, Black
#42235 - Sendero HD Body Set, Red

NOTE: Install bed mounts and 3x12mm FHCS inside the body

GATE 05

WHEELBASE CHART

WB	FRONT UPPER	FRONT LOWER	REAR UPPER	REAR LOWER
11.8"	93mm #42184	100mm #42185 #42186	93mm #42184	100mm #42185 #42186
12.0"	93mm #42184	100mm #42185 #42186	100mm #42185	108mm #42187 #42188
12.3"	93mm #42184	100mm #42185 #42186	108mm #42187	114mm #42189 #42190
12.8"	93mm #42184	100mm #42185 #42186	121mm #42191	127mm #42192 #42193



Items Needed for Links:

#42040 - Rod Ends

Panhard Links [CMS]: Servo on Axle Links [SOA]:

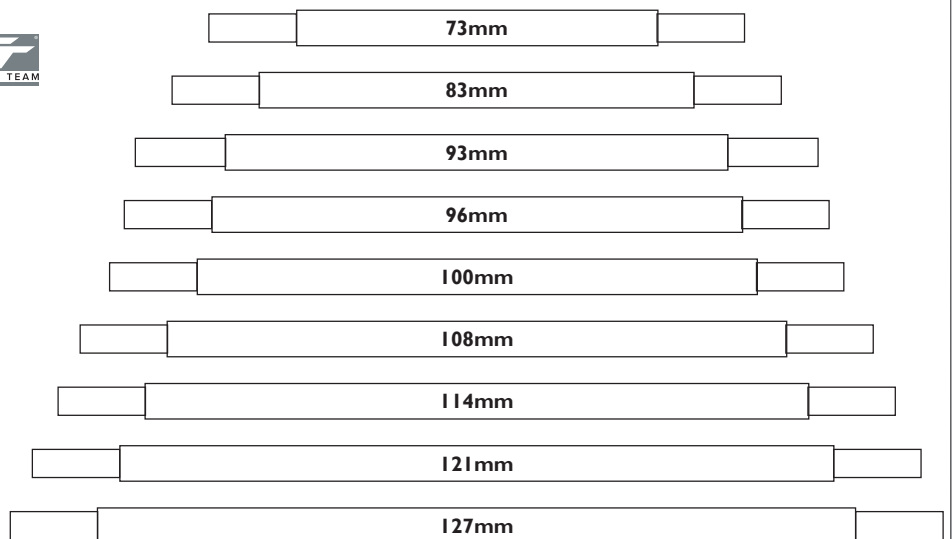
Panhard - #42183

Steering Input - #42182

Steering Link - #42180

Links - #42323

Steering Link - #42180



GATE 01 STEALTH X: BUILD CONFIGURATION: MOTOR MOUNT FACING REAR (STOCK)



OVERDRIVE:

Overdrive is a scenario where the front and rear wheels do not rotate at the same speed. The Stealth X gearbox is designed to allow the front wheels to spin faster than the rear wheels. Overdrive is advantageous when climbing up rock faces because the front tires will want to pull the vehicle up the rock. On deserts, the rear tires rotating slower than the front tires will help keep the chassis more stable and keep the rear tires planted on the ground.

Stealth X:

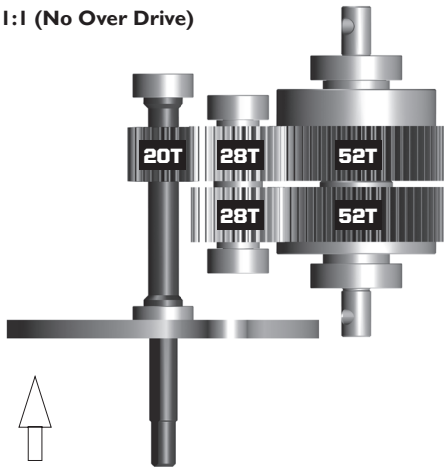
The Stealth X gearbox allows the driver to change the front to rear drive ratios with 3 separate ratio adjustments to the rear drive shaft. The driver has the option to flip the gearbox direction (motor mount facing the front) the optional inverse top shaft (#42024) is required.

Please Note:

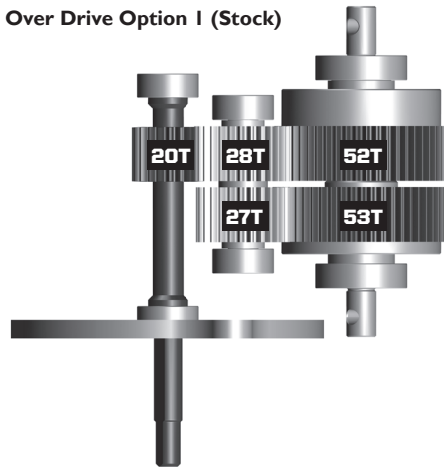
The 20T top shaft, 28T idler gear, and 52T drive gear will always be meshed together in all 6 gearbox configurations.

GATE 02 STEALTH X: BUILD CONFIGURATION: MOTOR MOUNT FACING REAR (STOCK)

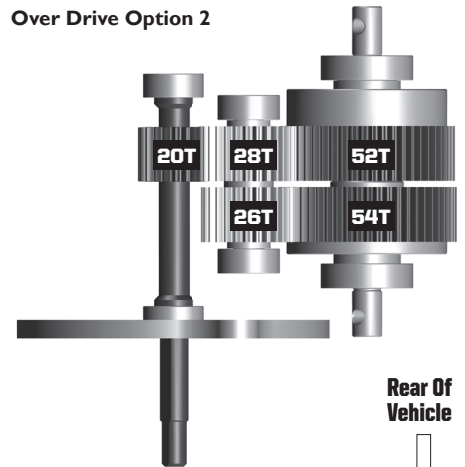
I:1 (No Over Drive)



Over Drive Option 1 (Stock)

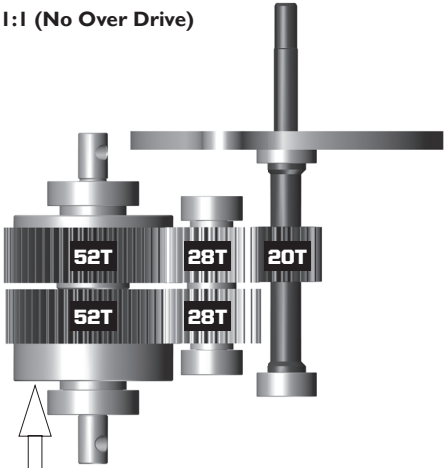


Over Drive Option 2

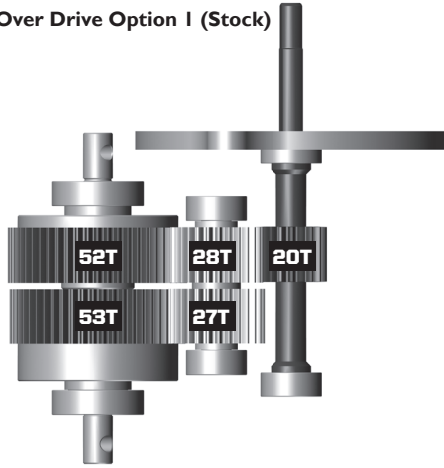


GATE 03 STEALTH X: BUILD CONFIGURATION: MOTOR MOUNT FACING FRONT (OPTIONAL - REQUIRES #42024 - TOP SHAFT)

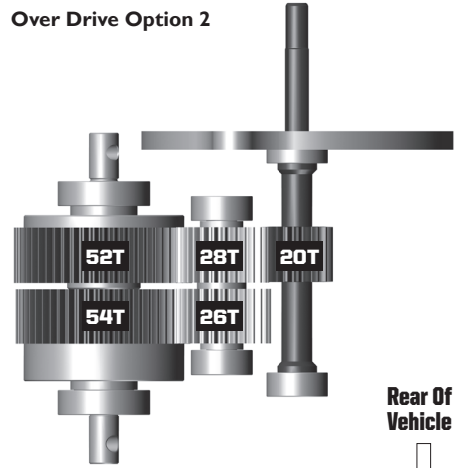
I:1 (No Over Drive)

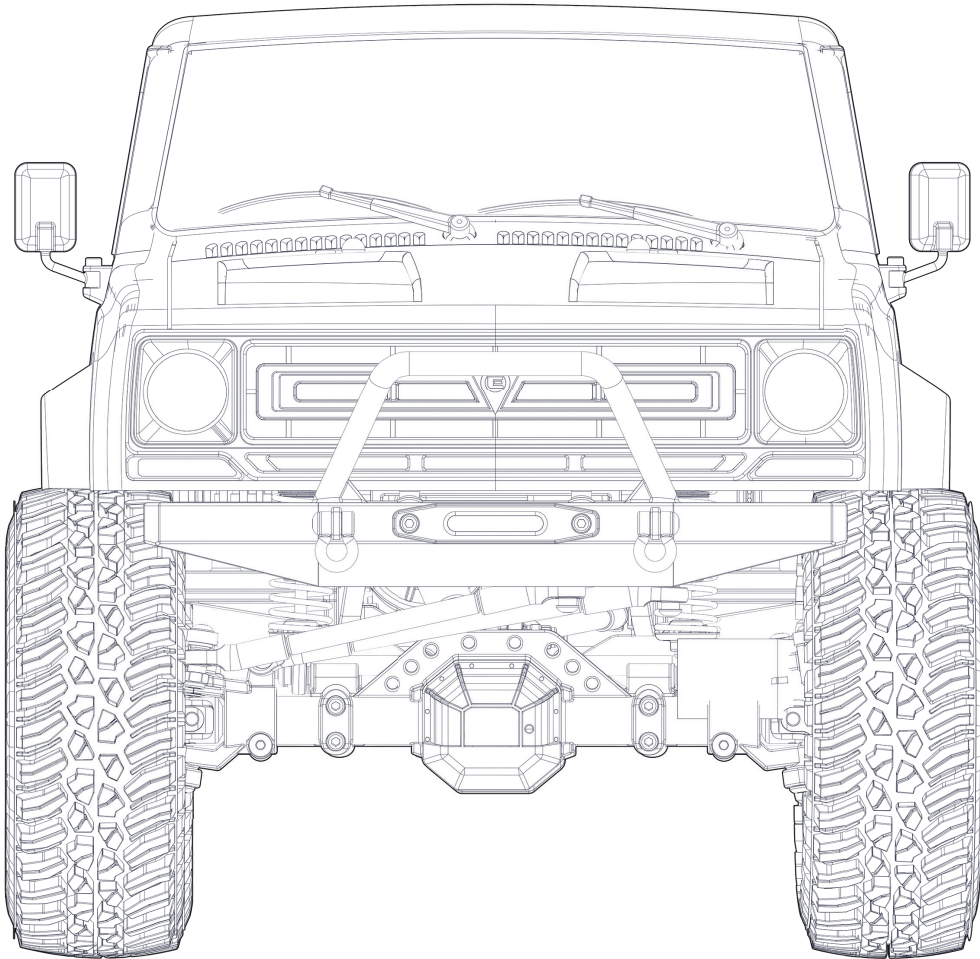


Over Drive Option 1 (Stock)



Over Drive Option 2





ASSOCIATED ELECTRICS, INC.
21062 BAKE PARKWAY, LAKE FOREST, CA 92630 USA

CALL: (949) 544-7500 - FAX: (949) 544-7501
CHECK OUT THE FOLLOWING WEB SITES FOR ALL OF OUR KITS,
CURRENT PRODUCTS, NEW RELEASES, SETUP HELP, TIPS, AND RACING INFO!
WWW.ASSOCIATEDELECTRICS.COM
#112149



ElementRC



@Element_RC