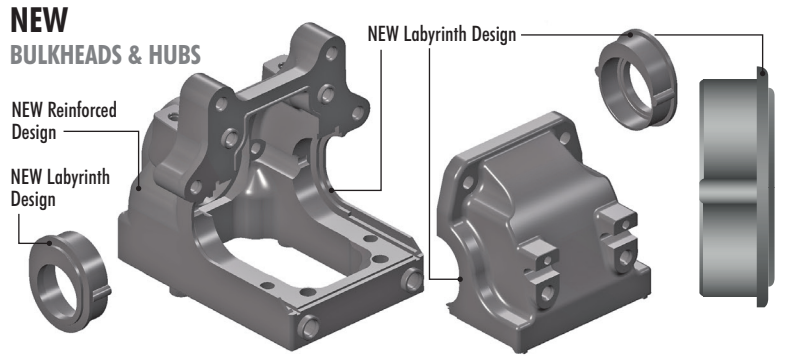
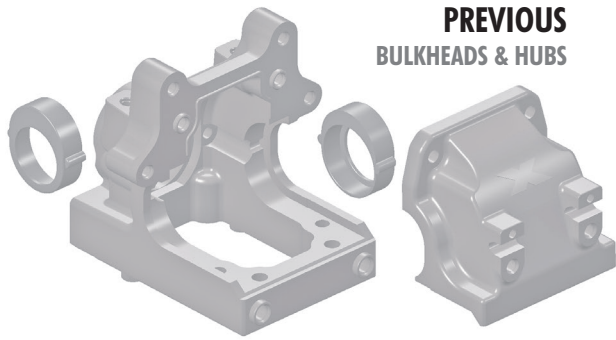


XRAY XT8 SUPPLEMENTARY SHEET

This Upgrade Kit includes reinforced Front & Rear Diff Bulkheads and Diff Height Inserts featuring new Labyrinth Dust Covers. Please follow these supplemental instructions during related assembly steps.

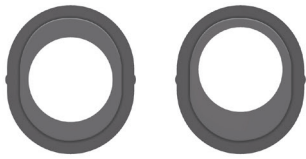


BALL-BEARING HUB POSITIONS

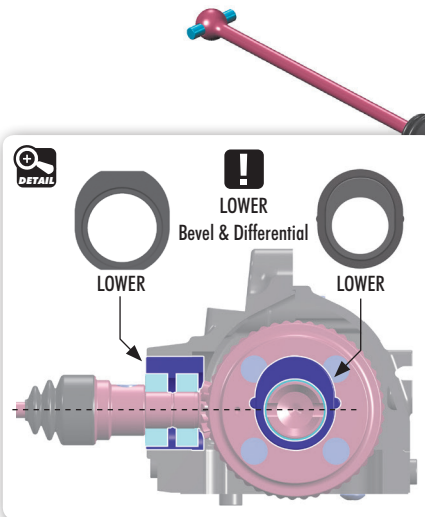
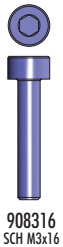
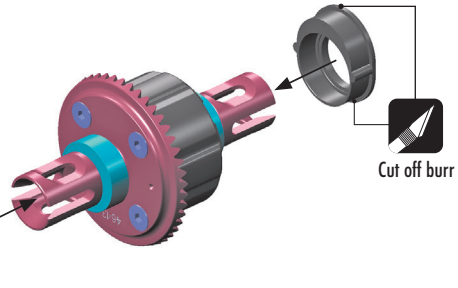
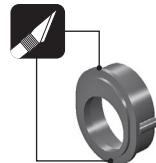
LOWER

CENTER

UPPER



Cut off burr



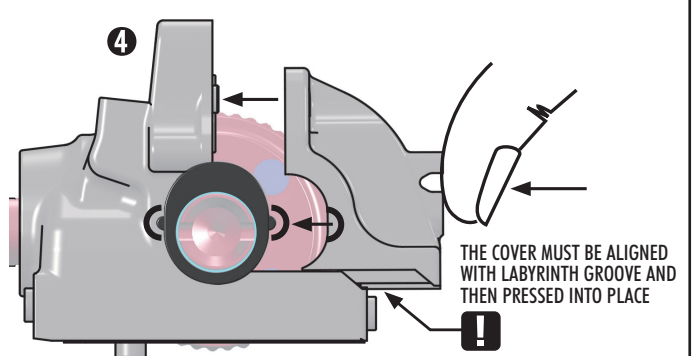
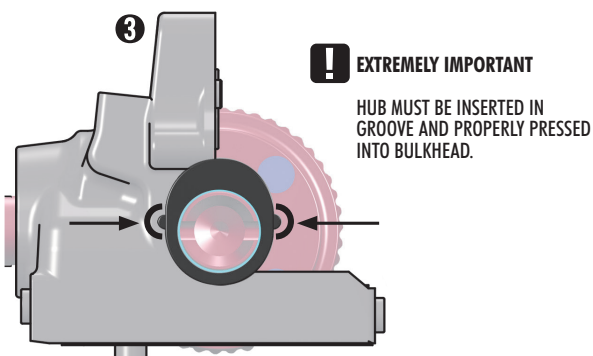
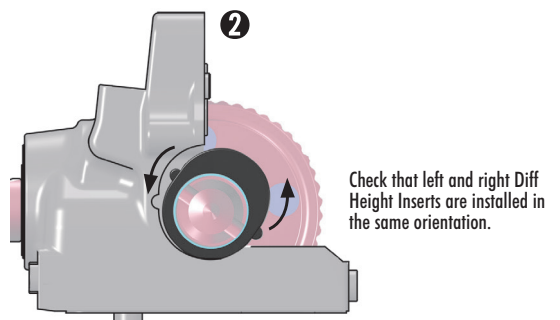
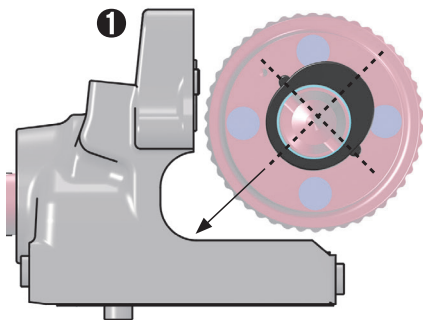
! During assembly, there may be some differential movement in the bulkhead. In particular, **DO NOT** check mesh or diff movement without installing suspension holders and securing bulkhead to the chassis. All parts have specifically designed tolerances, and only when the car is fully assembled will it have the proper amount of play where necessary. Check for free movement of all rotational driveline components once the driveline and suspension are completely assembled, as well as non-binding operation of the suspension components.

4
TIGHTEN
3x16mm SCREWS SECOND

HUB
GR

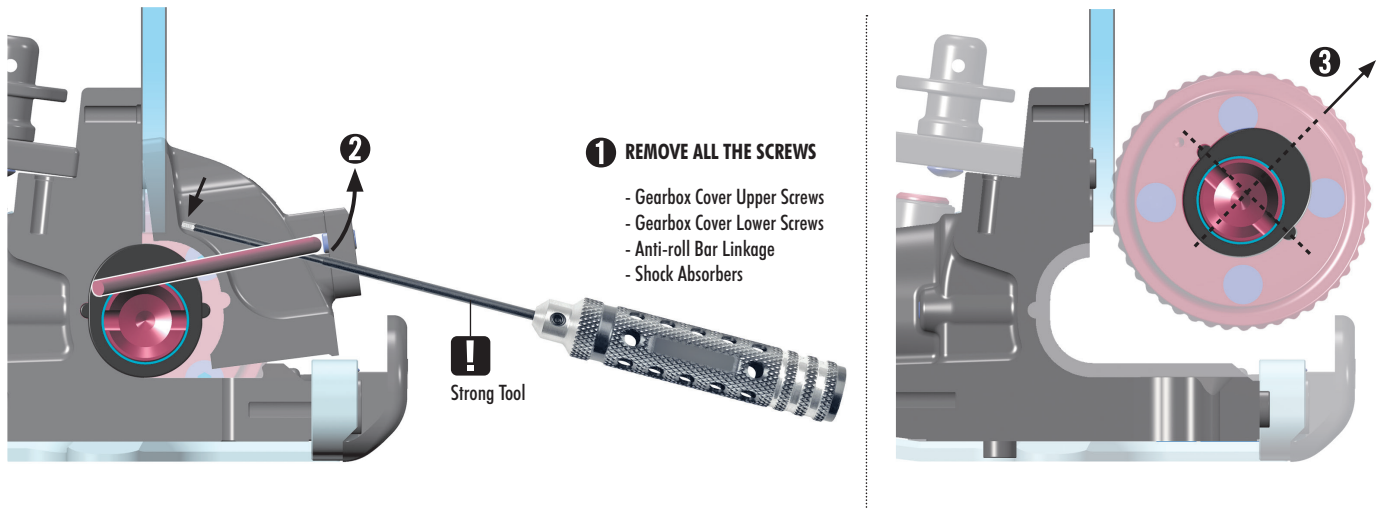
3
TIGHTEN
3x12mm SCREWS FIRST

INSTALLING THE DIFFERENTIAL WHILE FIRST TIME BUILDING THE CAR



REMOVING THE DIFFERENTIAL WHEN CAR IS ASSEMBLED

FRONT & REAR



INSTALLING THE DIFFERENTIAL WHEN CAR IS ASSEMBLED

FRONT & REAR

