

XRAY XT2'18

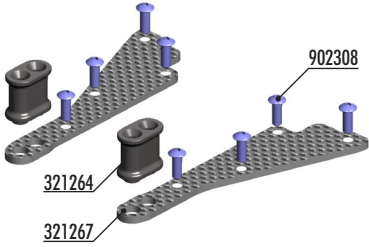
INSTRUCTION MANUAL SUPPLEMENTARY SHEET

Use this XT2 2018 Supplementary Instruction Sheet along with the standard XT2 Instruction Manual.

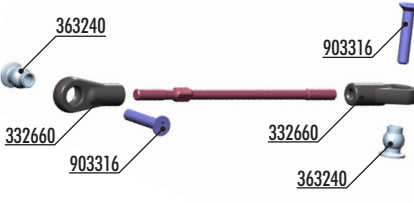
CARPET EDITION

New and Improved Parts


All of these parts are new or updated from the previous versions.



#321264 COMPOSITE FRONT CHASSIS SIDE BRACE - SHORT (2)
 #321267 GRAPHITE CHASSIS SIDE GUARD BRACE - STIFF
 #902308 HEX SCREW SH M3x8 (10)



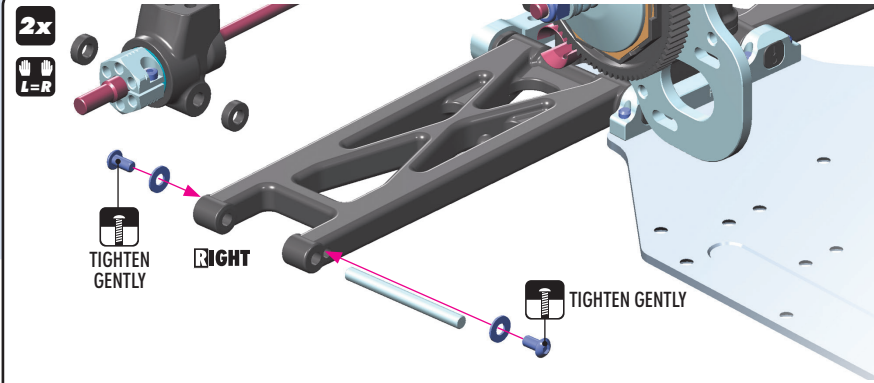
2x STEERING LINKS
 #332660 STEERING & SERVO BALL JOINT 5.8 MM (4+2)
 #363240 BALL UNIVERSAL 5.8MM WITH BACKSTOP (2)
 #903316 HEX SCREW SFH M3x16 (10)



2x REAR ARMS
2x FRONT ARMS
 #322111-H COMPOSITE SUSPENSION ARM FRONT LOWER - HARD
 #323111-H COMPOSITE SUSPENSION ARM REAR LOWER - HARD
 #961025 WASHER S 2.5 (10)

3. REAR DRIVETRAIN

PAGE 15 / STEP 4



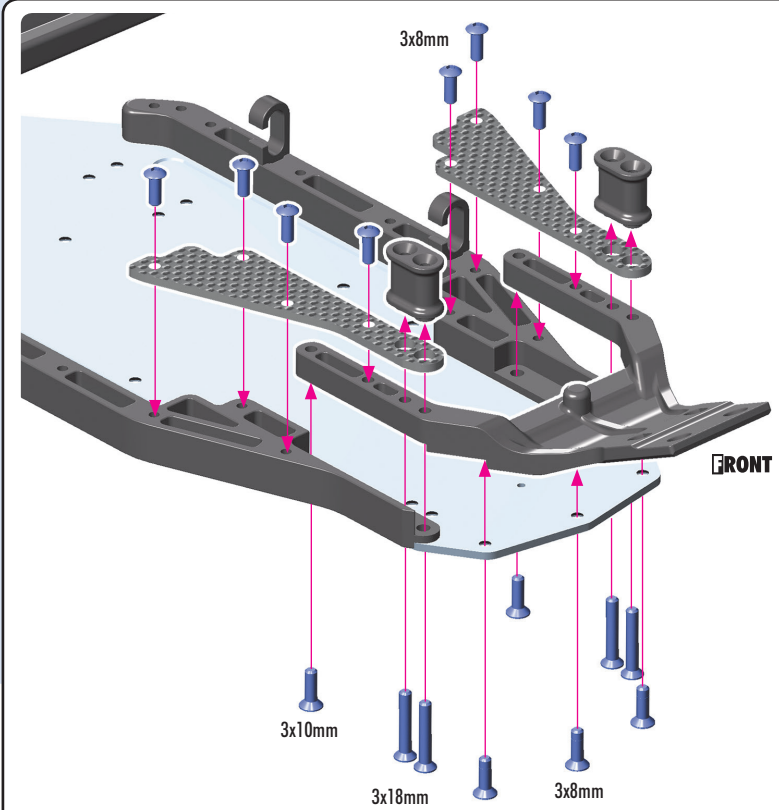
2x
 L=R
 902254 SH M2.5x4
 961025 S 2.5
 TIGHTEN GENTLY
 RIGHT
 TIGHTEN GENTLY

| REAR SUSPENSION ARMS | | | |
|----------------------|-----------|----------|----------|
| OPTION | #323111-M | MEDIUM | INCLUDED |
| | #323111-H | HARD | INCLUDED |
| | #323111-G | GRAPHITE | OPTION |

MEDIUM - For very-low & low traction
 HARD - For medium & high traction (INITIAL SETTING)
 GRAPHITE - For high & very-high traction

4. FRONT ASSEMBLY

PAGE 18 / STEP 3



3x8mm
 3x10mm
 3x18mm
 3x8mm
 FRONT

| GRAPHITE SIDE GUARD BRACE | | | |
|---------------------------|---------|--------|----------|
| OPTION | #321266 | SOFT | OPTION |
| | #321263 | MEDIUM | OPTION |
| | #321267 | STIFF | INCLUDED |

SOFT - For very-low, low traction tracks.
 MEDIUM - For low & medium traction tracks.
 STIFF - For high- & very-high traction tracks.

| FRONT LOWER CHASSIS BRACE | | | |
|---------------------------|-----------|--------|----------|
| OPTION | #321262-M | MEDIUM | OPTION |
| | #321262-H | HARD | INCLUDED |

MEDIUM - For very-low, low & medium traction.
 Generates more traction.
 HARD - For high- & very-high traction tracks.
 More stable and less traction on front susp.

5. FRONT SUSPENSION

PAGE 21 / STEP 1



902254
SH M2.5x4

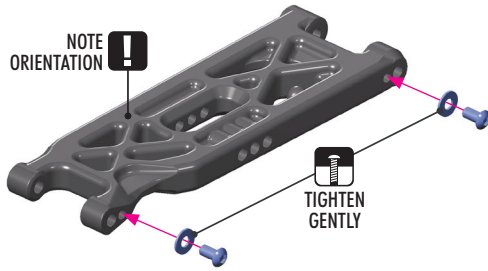


961025
S 2.5

2x



NOTE ORIENTATION !



TIGHTEN
GENTLY



OPTION

SUSPENSION ARM

| OPTION | | | |
|-----------|----------|----------|--|
| #322111-M | MEDIUM | INCLUDED | |
| #322111-H | HARD | INCLUDED | |
| #322111-G | GRAPHITE | OPTION | |



MEDIUM - For very-low & low traction
HARD - For medium & high traction
(INITIAL SETTING)
GRAPHITE - For high & very-high traction

5. FRONT SUSPENSION

PAGE 22 / STEP 3

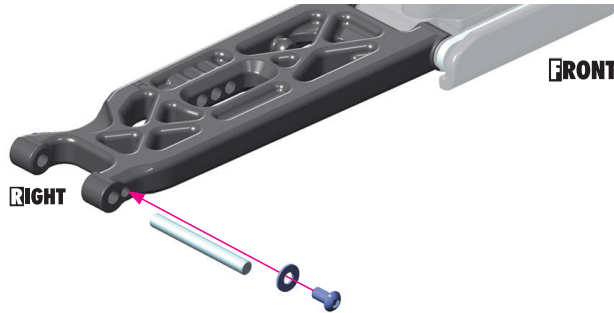


902254
SH M2.5x4



961025
S 2.5

2x



FRONT

RIGHT

5. FRONT SUSPENSION

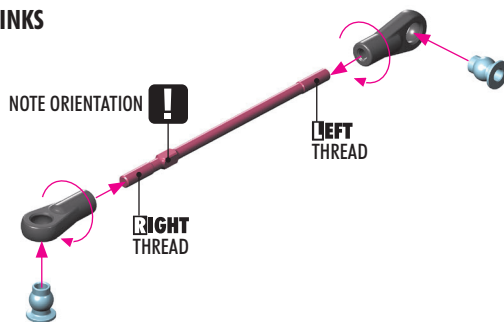
PAGE 23 / STEP 3

STEERING LINKS

2x



NOTE ORIENTATION !



RIGHT
THREAD

LEFT
THREAD

2x



56mm



5. FRONT SUSPENSION

PAGE 23 / STEP 4



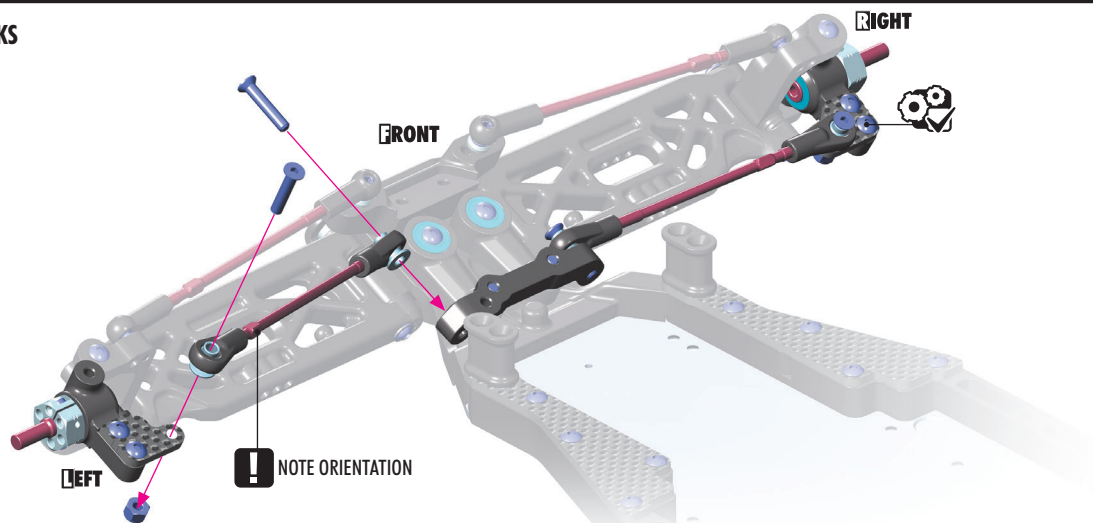
903316
SFH M3x16



960030
NUT M3

STEERING LINKS

2x



FRONT

RIGHT

LEFT

NOTE ORIENTATION !

6. SHOCK ABSORBERS



972031
O 3x2.1



HUDY Premium Silicone Oils
Oil 500cSt (#106350)

2x

REAR SHOCK (LONG)
Oil 500cSt



HUDY Premium Silicone Oils
Oil 650cSt (#106365)

2x

FRONT SHOCK (SHORT)
Oil 650cSt