

SET-UP SHEET

XRAY XB8'16

RACE

TRACK

NAME

CITY / COUNTRY

CONTACT

DATE

TEMPERATURE AIR TEMPERATURE TRACK

LAPS FINAL POSITION BEST LAP TIME RACE LENGTH

/sec /min

TRACKS

SIZE OPEN MEDIUM TIGHT

TRACTION LOW MEDIUM HIGH

SURFACE SMOOTH MEDIUM BUMPY

TYPE HARD PACKED SOFT DIRT CLAY
 BLUE GROVE ASTRO TURF GRASS

CONDITION DRY DUSTY WET MUD

DIFFERENTIAL

	FRONT	CENTER	REAR
TYPE	<input type="text"/>	<input type="text"/>	<input type="text"/>
OIL	<input type="text"/>	<input type="text"/>	<input type="text"/>

GEARING

CLUTCH BELL	<input type="text"/>	<input type="text"/>	SPUR GEAR
PINION	<input type="text"/>	<input type="text"/>	CROWN GEAR
SHOE	<input type="text"/>	<input type="text"/>	SPRING

SHOCKS

FRONT	REAR
<input type="checkbox"/> LINEAR <input type="checkbox"/> SPRINGS <input type="checkbox"/> PROGRESSIVE	<input type="checkbox"/> LINEAR <input type="checkbox"/> SPRINGS <input type="checkbox"/> PROGRESSIVE
OIL <input type="text"/> /cSt	OIL <input type="text"/> /cSt
REBOUND <input type="text"/> %	REBOUND <input type="text"/> %
PISTONS <input type="checkbox"/> 6 HOLES <input type="checkbox"/> 8 HOLES <input type="checkbox"/> 10 HOLES	PISTONS <input type="checkbox"/> 6 HOLES <input type="checkbox"/> 8 HOLES <input type="checkbox"/> 10 HOLES
1.1 mm	1.1 mm
1.2 mm	1.2 mm
1.3 mm	1.3 mm
1.4 mm	1.4 mm
OTHER PISTONS <input type="text"/>	OTHER PISTONS <input type="text"/>

ANTI ROLL BAR

FRONT /mm THICKNESS /mm REAR /mm

TIRES

FRONT	REAR
TYPE <input type="text"/>	TYPE <input type="text"/>
INSERTS <input type="text"/>	INSERTS <input type="text"/>
WHEELS <input type="text"/>	WHEELS <input type="text"/>

ENGINE

TYPE

MUFFLER

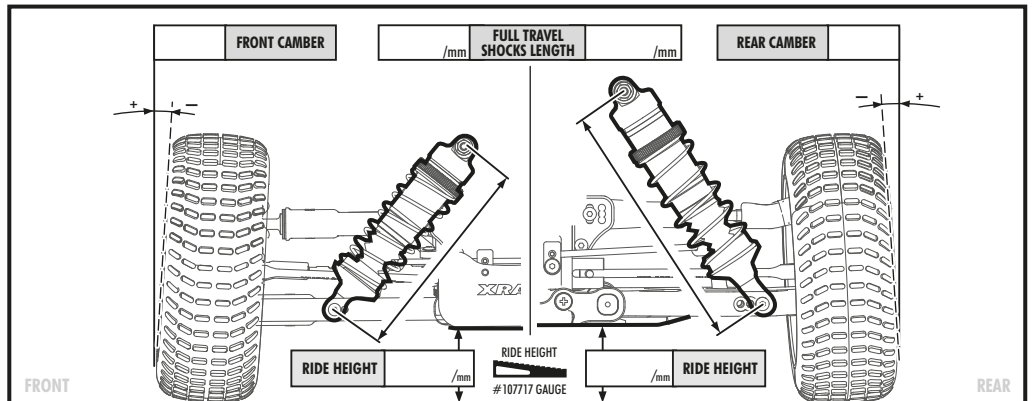
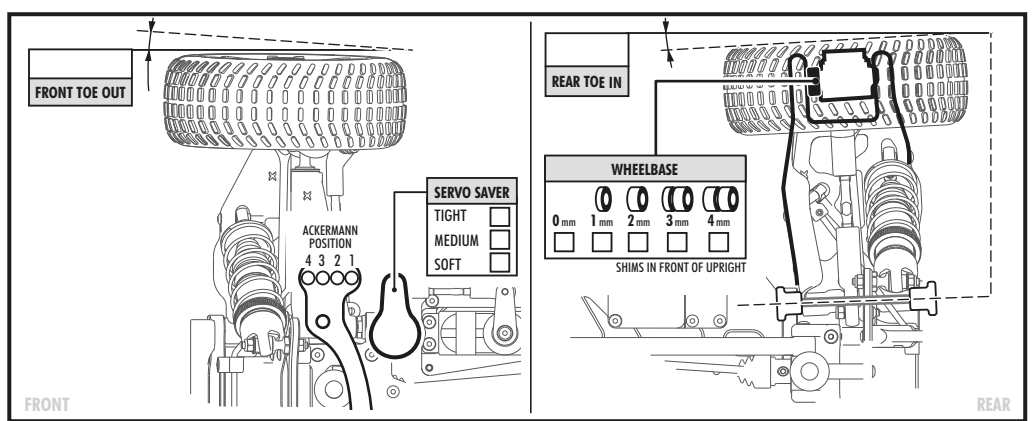
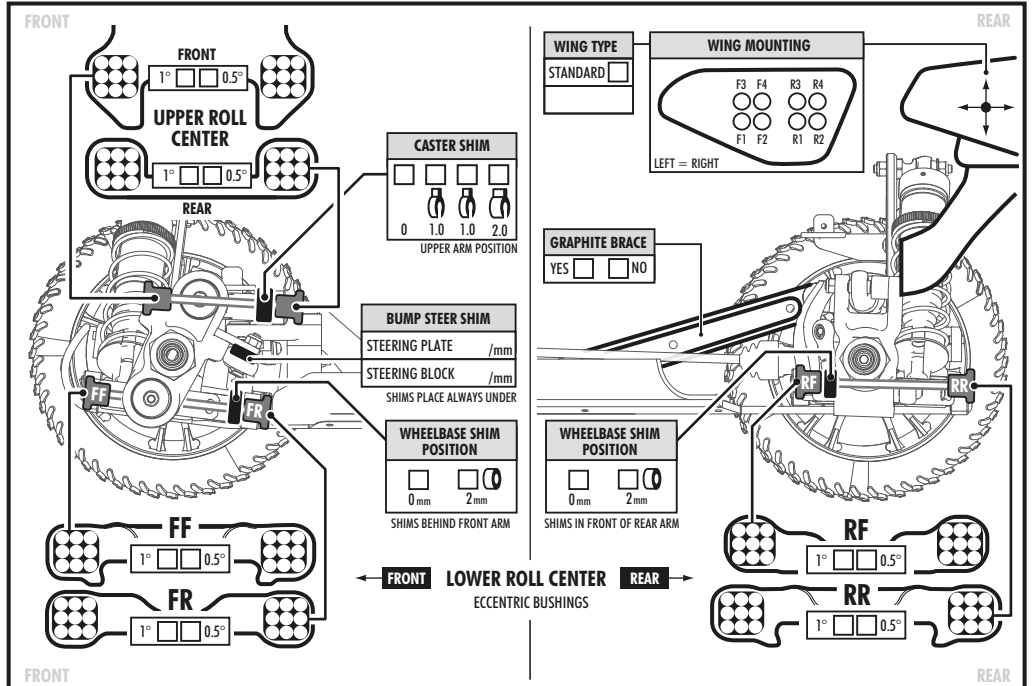
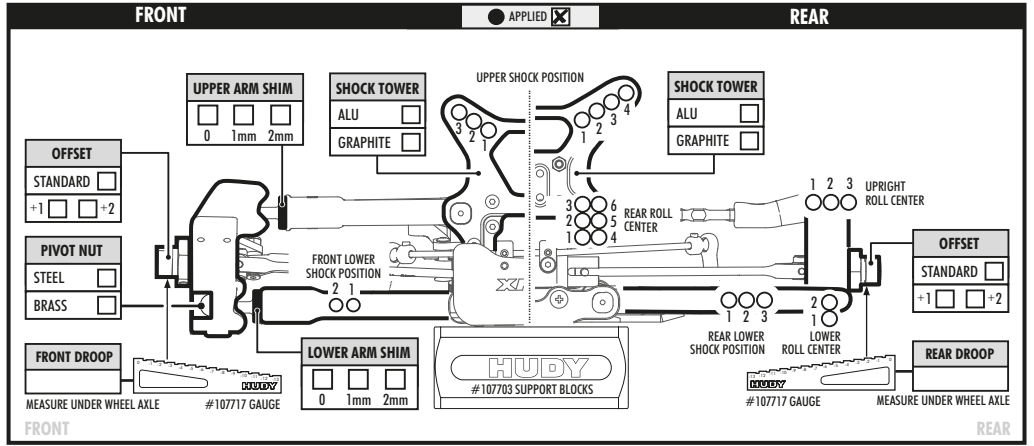
MANIFOLD

PLUG

FUEL

BODY

TYPE



COMMENTS