

# SET-UP SHEET

# XRAY XB8E'16

RACE

TRACK

NAME

CITY / COUNTRY

CONTACT

DATE

TEMPERATURE AIR  TEMPERATURE TRACK

LAPS  FINAL POSITION  BEST LAP TIME  RACE LENGTH

/sec /min

**TRACKS**

SIZE  OPEN  MEDIUM  TIGHT

TRACTION  LOW  MEDIUM  HIGH

SURFACE  SMOOTH  MEDIUM  BUMPY

TYPE  HARD PACKED  SOFT DIRT  CLAY  
 BLUE GROVE  ASTRO TURF  GRASS

CONDITION  DRY  DUSTY  WET  MUD

**DIFFERENTIAL**

	FRONT	CENTER	REAR
TYPE	<input type="text"/>	<input type="text"/>	<input type="text"/>
OIL	<input type="text"/>	<input type="text"/>	<input type="text"/>

**GEARING**

CLUTCH BELL	<input type="text"/>	/T	<input type="text"/>	/T	SPUR GEAR
PINION	<input type="text"/>	/T	<input type="text"/>	/T	CROWN GEAR
SHOE	<input type="text"/>		<input type="text"/>		SPRING

**SHOCKS**

FRONT	REAR
<input type="checkbox"/> LINEAR <input type="checkbox"/> SPRINGS	<input type="checkbox"/> LINEAR <input type="checkbox"/> SPRINGS
<input type="checkbox"/> PROGRESSIVE	<input type="checkbox"/> PROGRESSIVE
OIL <input type="text"/>	OIL <input type="text"/>
REBOUND <input type="text"/>	REBOUND <input type="text"/>
PISTONS	PISTONS
<input type="checkbox"/> 6 HOLES	<input type="checkbox"/> 6 HOLES
<input type="checkbox"/> 8 HOLES	<input type="checkbox"/> 8 HOLES
<input type="checkbox"/> 10 HOLES	<input type="checkbox"/> 10 HOLES
OTHER PISTONS <input type="text"/>	OTHER PISTONS <input type="text"/>

**ANTI ROLL BAR**

FRONT  /mm THICKNESS  /mm REAR  /mm

**TIRES**

FRONT	REAR
<input type="text"/>	<input type="text"/>
TYPE <input type="text"/>	TYPE <input type="text"/>
INSERTS <input type="text"/>	INSERTS <input type="text"/>
WHEELS <input type="text"/>	WHEELS <input type="text"/>

**ENGINE**

TYPE

MUFFLER

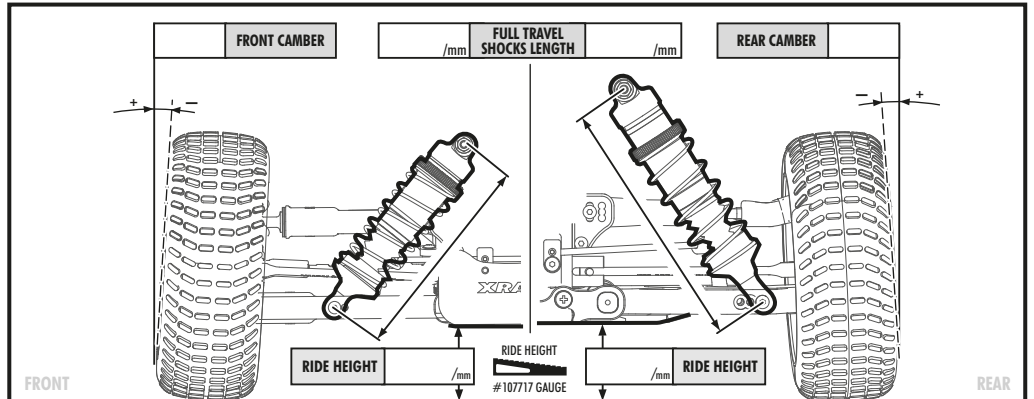
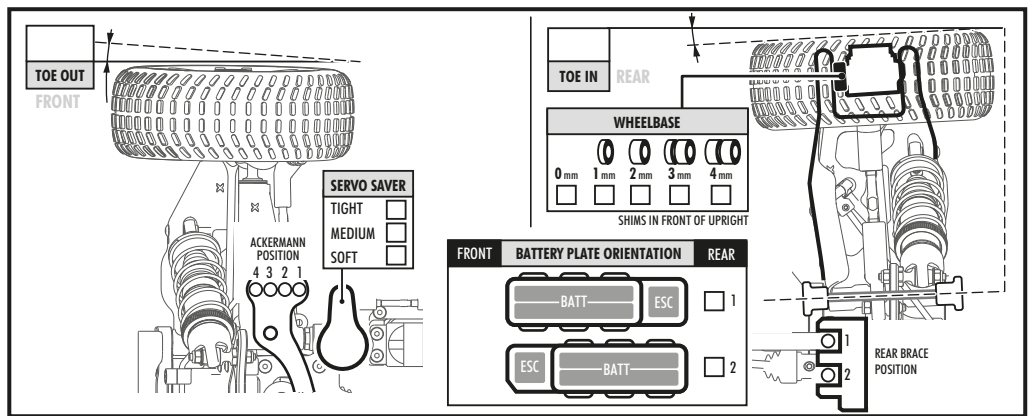
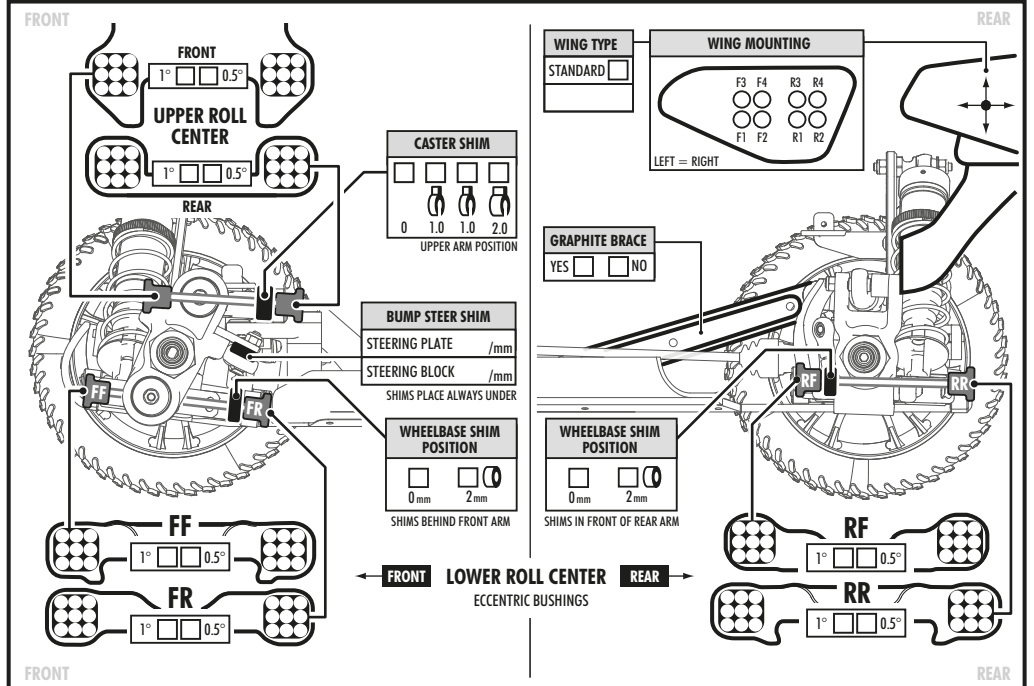
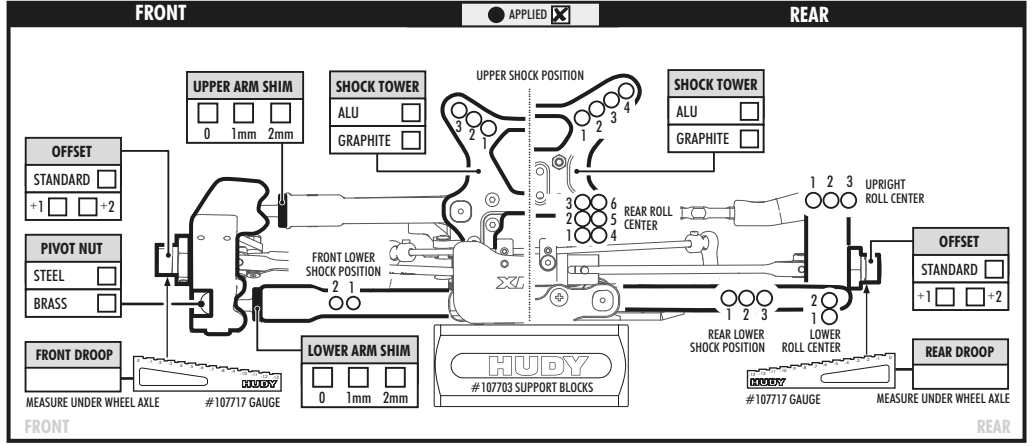
MANIFOLD

PLUG

FUEL

**BODY**

TYPE



**COMMENTS**