

SET-UP SHEET

X4'24 SET-UP SHEET VER.1 ©XRAY

XRAY X4'24

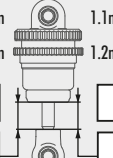
RACE	Basic US Set-Up For Black CARPET			
TRACK	ProlevelRC			
NAME	Drew Ellis	DATE		
QUAL POSITION	FINAL POSITION	BEST LAPTIME	LAPS	TIME
		/sec		/

TRACK				
TRACK SURFACE	<input checked="" type="checkbox"/> CARPET	<input type="checkbox"/> ASPHALT		
TRACK LAYOUT	<input type="checkbox"/> TECHNICAL	<input checked="" type="checkbox"/> MIXED	<input type="checkbox"/> FAST	
TRACTION	<input type="checkbox"/> LOW	<input type="checkbox"/> MEDIUM	<input checked="" type="checkbox"/> HIGH	

FRONT	TRANSMISSION	REAR
GEAR DIFF OIL	<input checked="" type="checkbox"/> FRONT SOLID AXLE	GEAR DIFF OIL
		8K /cSt
PINION	SPUR GEAR	FINAL DRIVE RATIO
29 /T	110 /T	

FRONT	SHOCKS	REAR
2.5-2.8	XRAY SPRINGS	2.6
400	OIL /cSt	350
25	REBOUND %	25

<input type="checkbox"/> YES <input checked="" type="checkbox"/> NO	FOAM INSERTS	<input type="checkbox"/> YES <input checked="" type="checkbox"/> NO
<input checked="" type="checkbox"/> 4 HOLES	1.1mm	1.1mm <input checked="" type="checkbox"/> 4 HOLES
<input type="checkbox"/> PSS	1.2mm	1.2mm <input type="checkbox"/> PSS

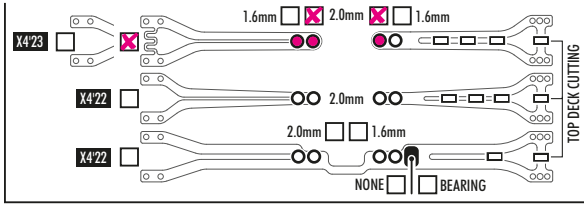
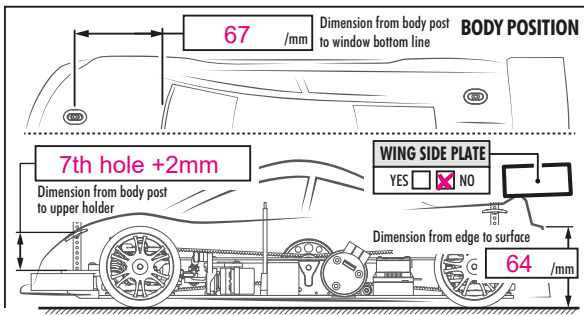


1.3	THICKNESS/mm	ANTI-ROLL BAR	THICKNESS/mm	1.2
-----	--------------	---------------	--------------	-----

Gravity RC Type C	TIRES	Gravity RC Type C	
SXT	ADDITIVE	SXT	
5min	ADDITIVE TIMING	5min	
	WIPE OFF TIME		
	TIRE WARMERS		
Timing:	Temp.:	Timing:	Temp.:
FRONT LEFT	FRONT RIGHT	REAR LEFT	REAR RIGHT
TREATED AREA			

TOTAL WEIGHT	1320 /g	WEIGHT BALANCE	FRONT 50 %	REAR 50 %
--------------	---------	----------------	------------	-----------

MOTOR	17.5	TIMING	
ESC	HW	BATTERIES	
BODY	Twister	WING	Twister



COMMENTS	

