

SET-UP SHEET

X4'24 SET-UP SHEET VER.1 ©XRAY

XRAY X4'24

RACE	Basic EU Set-Up For CARPET			
TRACK	Hudy Arena			
NAME	Martin Hudy	DATE		
QUAL POSITION	FINAL POSITION	BEST LAPTIME	LAPS	TIME
		/sec		/

TRACK			
TRACK SURFACE	<input checked="" type="checkbox"/> CARPET	<input type="checkbox"/> ASPHALT	
TRACK LAYOUT	<input type="checkbox"/> TECHNICAL	<input checked="" type="checkbox"/> MIXED	<input type="checkbox"/> FAST
TRACTION	<input type="checkbox"/> LOW	<input checked="" type="checkbox"/> MEDIUM	<input type="checkbox"/> HIGH

FRONT	TRANSMISSION	REAR
GEAR DIFF OIL	<input checked="" type="checkbox"/> FRONT SOLID AXLE	GEAR DIFF OIL
		7K /cSt
PINION	SPUR GEAR	FINAL DRIVE RATIO
29 /T	110 /T	

FRONT	SHOCKS	REAR
2.5-2.8	XRAY SPRINGS	2.6
350	OIL /cSt	350
25	REBOUND %	25
<input type="checkbox"/> YES <input checked="" type="checkbox"/> NO	FOAM INSERTS	<input type="checkbox"/> YES <input checked="" type="checkbox"/> NO

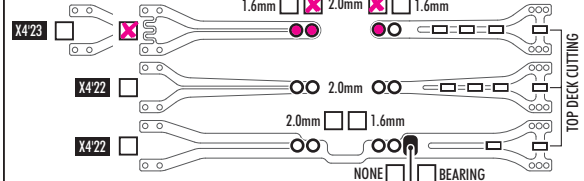
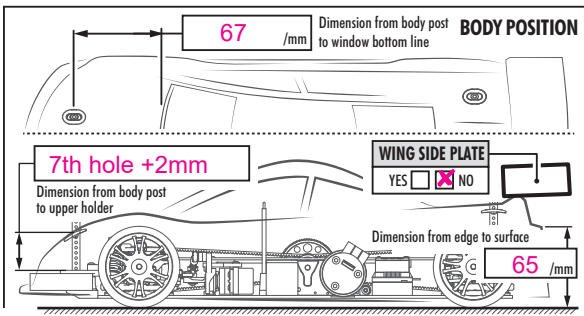
<input checked="" type="checkbox"/> 4 HOLES	<input checked="" type="checkbox"/> 1.1mm	<input checked="" type="checkbox"/> 1.1mm	<input checked="" type="checkbox"/> 4 HOLES
<input type="checkbox"/> PSS	<input type="checkbox"/> 1.2mm	<input type="checkbox"/> 1.2mm	<input type="checkbox"/> PSS
SHOCK LENGTH	8.5 /mm	8.5 /mm	SHOCK LENGTH

1.3	THICKNESS/mm	ANTI-ROLL BAR	THICKNESS/mm	1.2
-----	--------------	---------------	--------------	-----

HUDY C3	TIRES	HUDY C3	
HUDY RED	ADDITIVE	HUDY RED	
8min	ADDITIVE TIMING	8min	
	WIPE OFF TIME		
	TIRE WARMERS		
Timing:	Temp.:	Timing:	Temp.:
FRONT LEFT	FRONT RIGHT	REAR LEFT	REAR RIGHT
TREATED AREA			

TOTAL WEIGHT	1320 /g	WEIGHT BALANCE	FRONT 50 %	REAR 50 %
--------------	---------	----------------	------------	-----------

MOTOR	5.0T	TIMING	35
ESC	HW	BATTERIES	
BODY	Twister	WING	Twister



COMMENTS

