

SET-UP SHEET

X4'23 SET-UP SHEET VER.1 ©XRAY

XRAY X4'23

RACE **Basic US Set-Up for BLACK CARPET**

TRACK **ProLevel RC**

NAME **Drew Ellis** DATE _____

QUAL POSITION	FINAL POSITION	BEST LAPTIME	LAPS	TIME

TRACK

TRACK SURFACE CARPET ASPHALT

TRACK LAYOUT TECHNICAL MIXED FAST

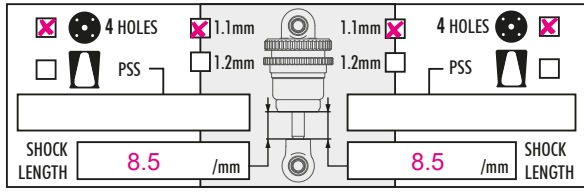
TRACTION LOW MEDIUM HIGH

FRONT TRANSMISSION REAR

GEAR DIFF OIL _____ /cst FRONT SOLID AXLE GEAR DIFF OIL **10K** /cst

PINION **29** /T SPUR GEAR **110** /T FINAL DRIVE RATIO _____

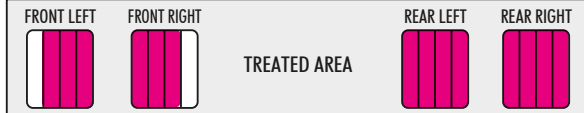
FRONT SHOCKS	REAR SHOCKS
2.5-2.8	2.6
400	350
25	25
<input type="checkbox"/> YES <input checked="" type="checkbox"/> NO	<input type="checkbox"/> YES <input checked="" type="checkbox"/> NO
<input type="checkbox"/> YES <input checked="" type="checkbox"/> NO	<input type="checkbox"/> YES <input checked="" type="checkbox"/> NO



ANTI-ROLL BAR

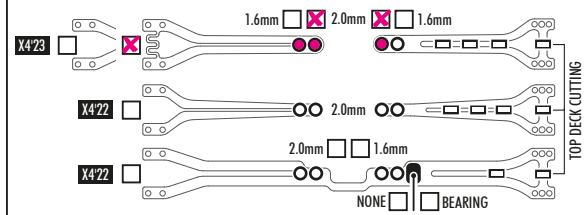
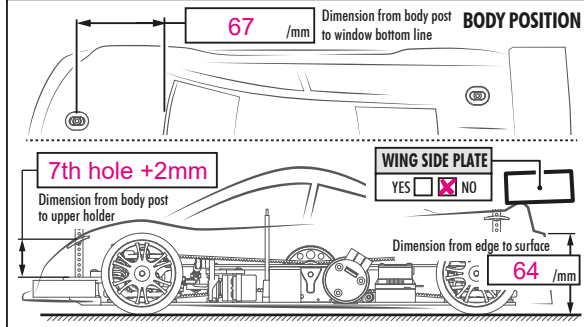
THICKNESS/mm **1.3** **1.2**

Gravity RC **SXT** 5min



TOTAL WEIGHT **1320** /g WEIGHT BALANCE FRONT **50** % REAR **50** %

MOTOR	17.5T	TIMING	
ESC	HW	BATTERIES	
BODY	Twister	WING	Twister



COMMENTS

