

RACE/TRACK: **Basic Set-Up for CARPET and ASPHALT**

NAME: _____

DATE: _____

TEMPERATURE AIR: _____ TEMPERATURE TRACK: _____

QUAL POSITION	FINAL POSITION	BEST LAP TIME	LAPS	TIME
		/sec	/	

TRACK

TRACK SURFACE: CARPET ASPHALT

TRACK LAYOUT: TECHNICAL MIXED FAST

TRACTION: LOW MEDIUM HIGH

CENTER SHOCK ABSORBER

SPRING: **C2.3** OIL /cSt: **600** REBOUND %: **25**

PISTON: 3 HOLES 4 HOLES

PISTON HOLES DIAMETER: ø1.1mm ø1.2mm ø1.3mm

FOAM INSERT: YES NO

ANTI-ROLL BAR

THICKNESS/mm: **1.2**

SIDE DAMPING

SIDE TUBE OIL: **10K** /cSt

SIDE SHOCK OIL: _____ /cSt

TIRES

FRONT: **HUDY** ADDITIVE: _____ ADDITIVE TIMING: _____

REAR: **HUDY** ADDITIVE TREATED AREA: _____

TRANSMISSION

BALL DIFF: LOOSE MEDIUM TIGHT

GEAR DIFF: OIL: _____ /cSt

GEARING

PINION /T: _____ SPUR GEAR /T: _____ FINAL DRIVE RATIO: _____

ELECTRONICS

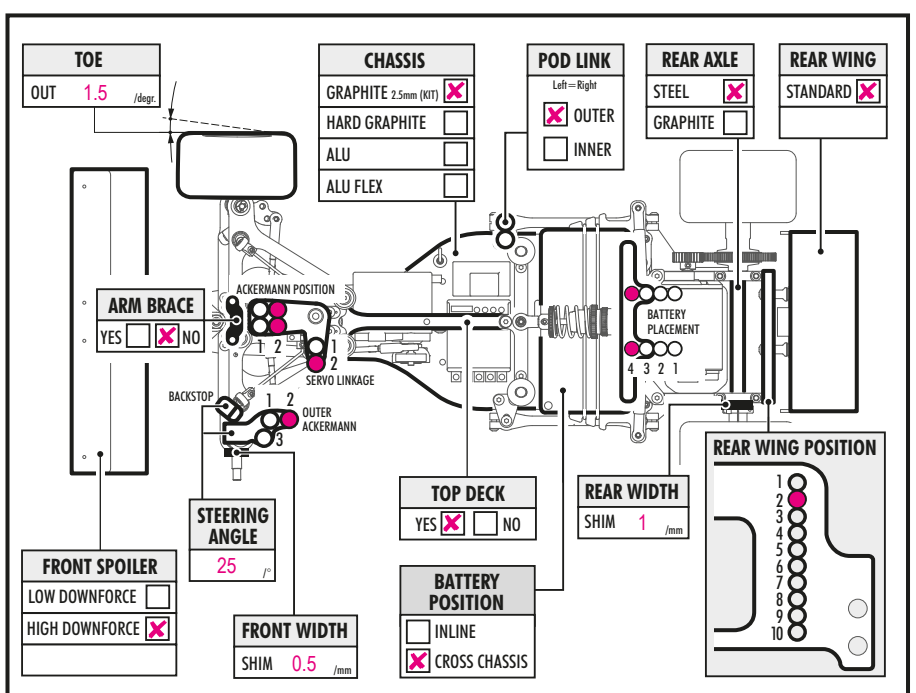
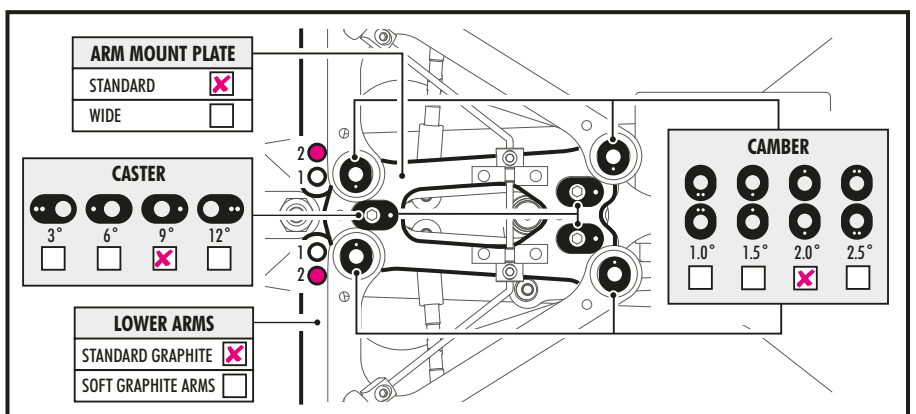
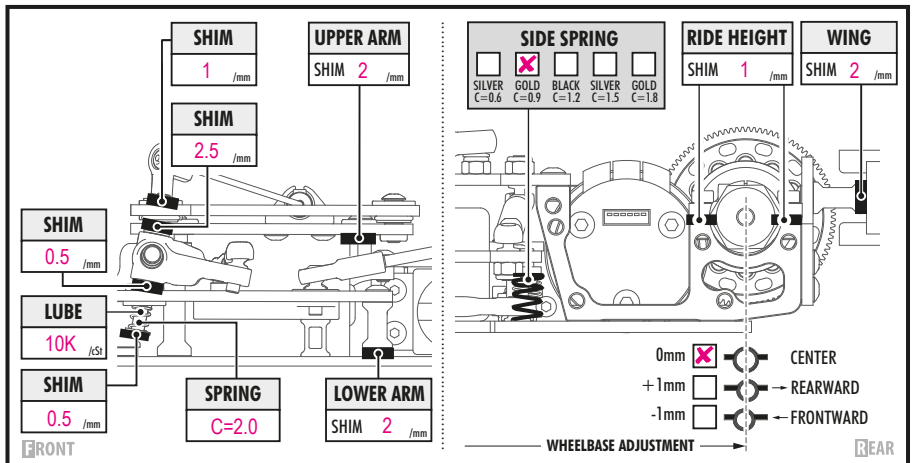
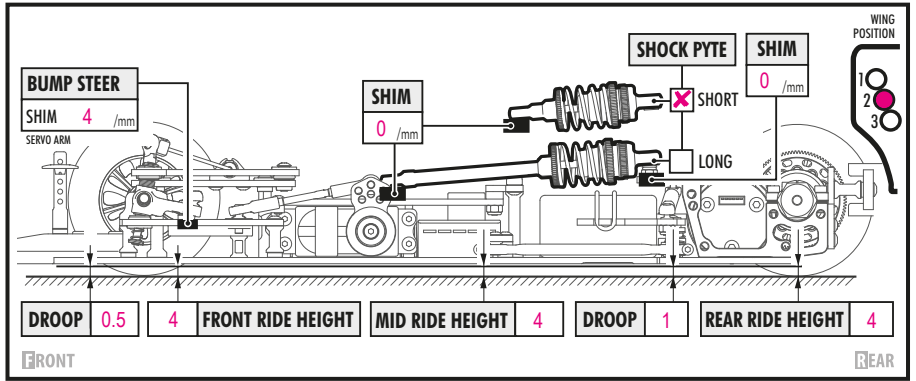
MOTOR: _____

SPEEDO: _____

BATTERIES: _____

BODY

XRAY X1



COMMENTS
