

# SET-UP SHEET

# XRAY X12'17

RACE

TRACK

NAME

CITY / COUNTRY

CONTACT

DATE

TEMPERATURE AIR

TEMPERATURE TRACK

QUAL POSITION

FINAL POSITION

BEST LAP TIME  /sec

RACE LENGTH  /min

**TRACK**

TRACK SURFACE  CARPET  ASPHALT

TRACK LAYOUT  TECHNICAL  MIXED  FAST

TRACTION  LOW  MEDIUM  HIGH

**CENTER SHOCK ABSORBER**

SPRING  OIL /cSt  REBOUND %

SIDE LINKAGES  OIL /cSt

SIDE SHOCK  OIL /cSt

FRONT	TIRES	REAR
	TIRES TYPE	
<input type="text" value="43"/>	DIAMETER /mm	<input type="text" value="45"/>
	ADDITIVE	
	ADDITIVE TIMING	

FRONT LEFT FRONT RIGHT REAR LEFT REAR RIGHT

ADDITIVE TREATED AREA

**TRANSMISSION**

DIFF SETTING

LOOSE   MEDIUM  TIGHT

**GEARING**

PINION / T

SPUR GEAR/T

FINAL DRIVE RATIO

ROLLOUT

**ELECTRONICS**

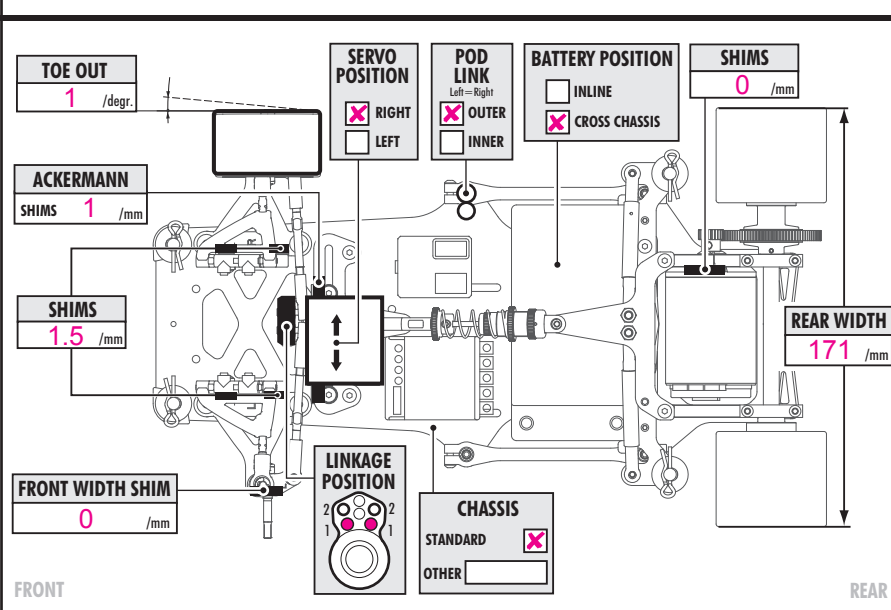
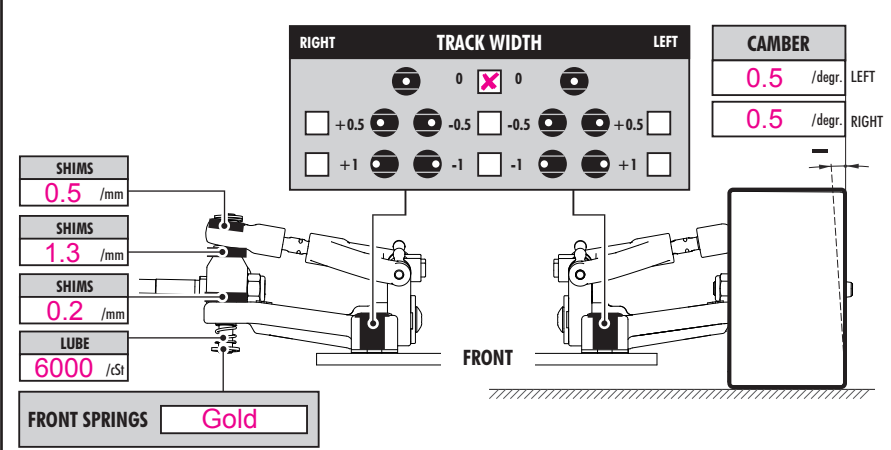
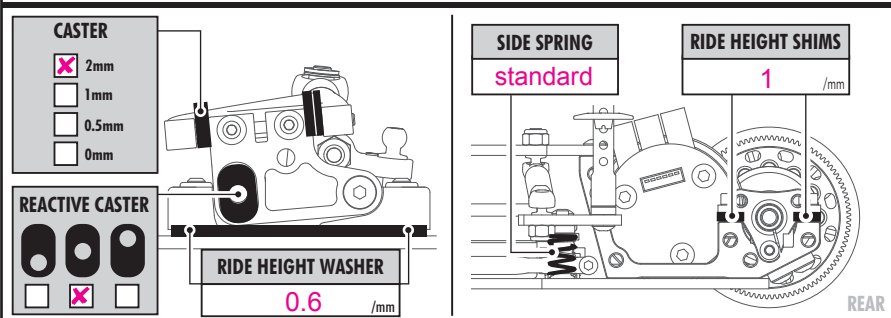
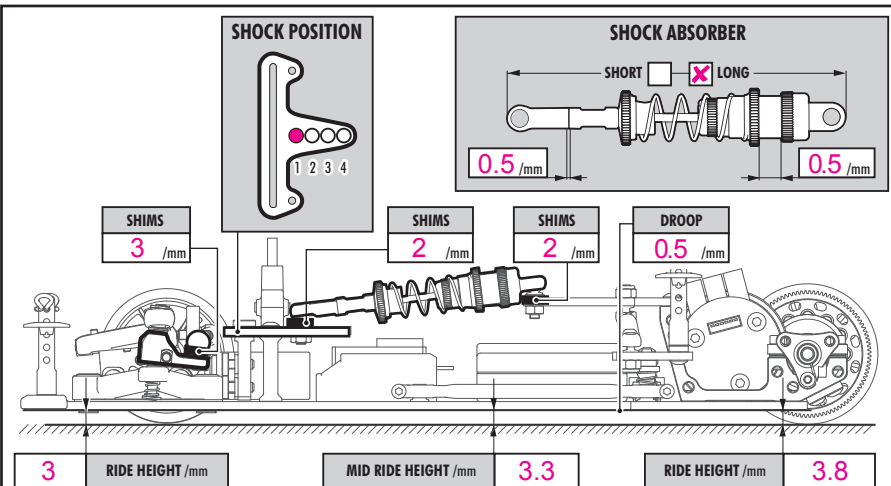
MOTOR

SPEEDO

BATTERIES

**BODY**

TYPE



COMMENTS

Ride height is directly affected by tire diameter. This basic set-up is intended for medium tire sizes. When smaller or larger diameter tires are used, the ride height must be changed as appropriate.