

# E4RS4.

507018 1/10 Electric Touring Car E4RS4 Version



Instruction & Setup Manual



Thank you for choosing the Team Magic E4RS4 , Before you start building the E4RS4 , we suggest you read though the instruction manual first. Be sure to check all assembly and performance tips before you start. We hope you enjoy the fine building processes.

### General Building Tips:

- ▶ Read the instruction manual before building.
- ▶ Clear a work area and try to work on a light color towel to avoid missing dropped parts.
- ▶ Don't forge the thread lock. Be certain to use thread-lock on all the machine screws that thread into metal. Put it on the screws that are secured with locknuts and the setscrews that secure the linkage stops, too. Don't skimp on the thread-lock or you'll be searching in the dirt for screws that vibrated loose.
- ▶ Don't over-tighten fasteners. Many assembly problems are caused by over-tightening screws or nuts. Don't use too large a grip. Please go slowly and feel the resistance build. Just snug it up.
- ▶ As you put more time and runs on the car, the suspension arms, and basically anything else that moves, can stretch and wear. Though we have a very rigorous quality control program and make every effort to ensure that the parts have the best possible fit when you get them. Unfortunately there is very little, or nothing we can do to prevent these parts from wearing out. When the arms begin to wear you will notice that some slop develops between the carrier or hub and the arms. This slop can be taken out by shimming the arm, hub or carrier. If you take a look at any of the factory driver's cars you will definitely find that they use shims to take up some of the slop that occurs over a period of time. The shims can also be used on the inside of the suspension arms in the same manner. When shimming the parts, care must be taken not to add too many shims. The parts must still move freely without binding.
- ▶ When it doesn't fit, please double check. If an assembly is not going together correctly, then either there really is a bad fit (e.g. a part is damaged or defective) or a mistake in assembly. Always re-read the instructions when there are any problems. If you cannot figure out what's wrong, always ask dealer, distributor or Team Magic. Don't use force beyond what the instructions call for.
- ▶ Using the right tools makes assembly much easier. The instructions below finely indicate you what tools to get to make things easier. We don't want to scare you by saying that all these tools are required, but you will have an easier time if you have them. Borrow them from a friend to check if necessary.
- ▶ The assembly is arranged so that you will open the bag and finish that bag before you go on to the next bag. Sometimes, you will have parts remaining at the end of a bag. These will become part of the following bags.

### A Good Dealer Is Extremely Important!!

A good hobby dealer can help you with most assembly problems you might encounter. This is the main reason why you should buy your kits from a good dealer rather than from the cheapest dealer. Bring your problematic parts to the dealer and, most likely, you'll walk away soon thereafter with the problem solved. If you think that you really don't have the mechanical skills to complete the assembly, you may pay your dealer to finish the job for you. We can recommend good dealers to you if you need. Please send us mails for more information. Email: [service@teammagic.com.tw](mailto:service@teammagic.com.tw)

You can download the Team Magic Setup Guide by scanning this QR code, or directly on this address: <http://www.teammagicrc.com/setups/>





116203  
E-clip 5



116238  
2x12.8mm Pin



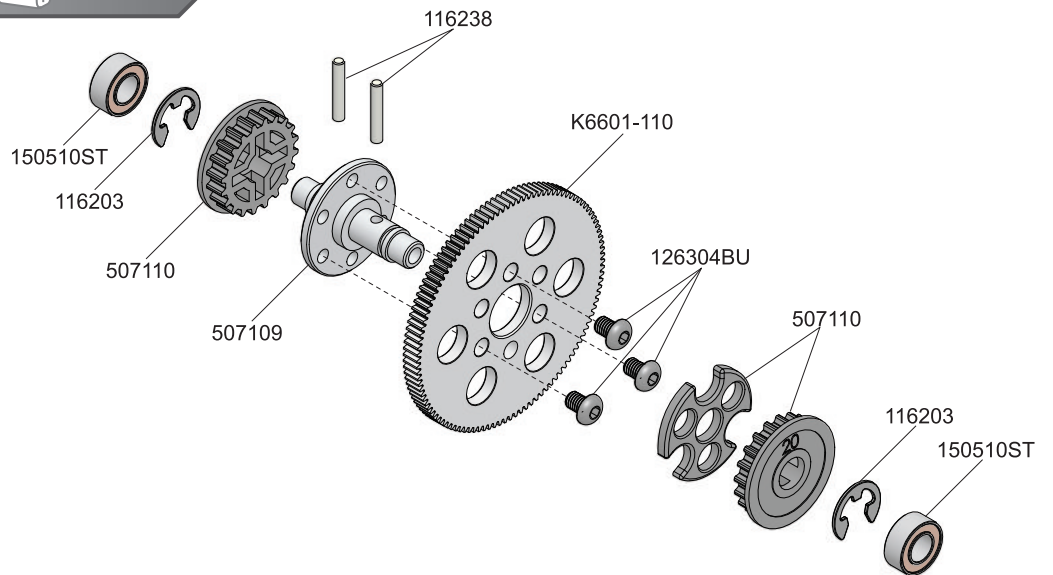
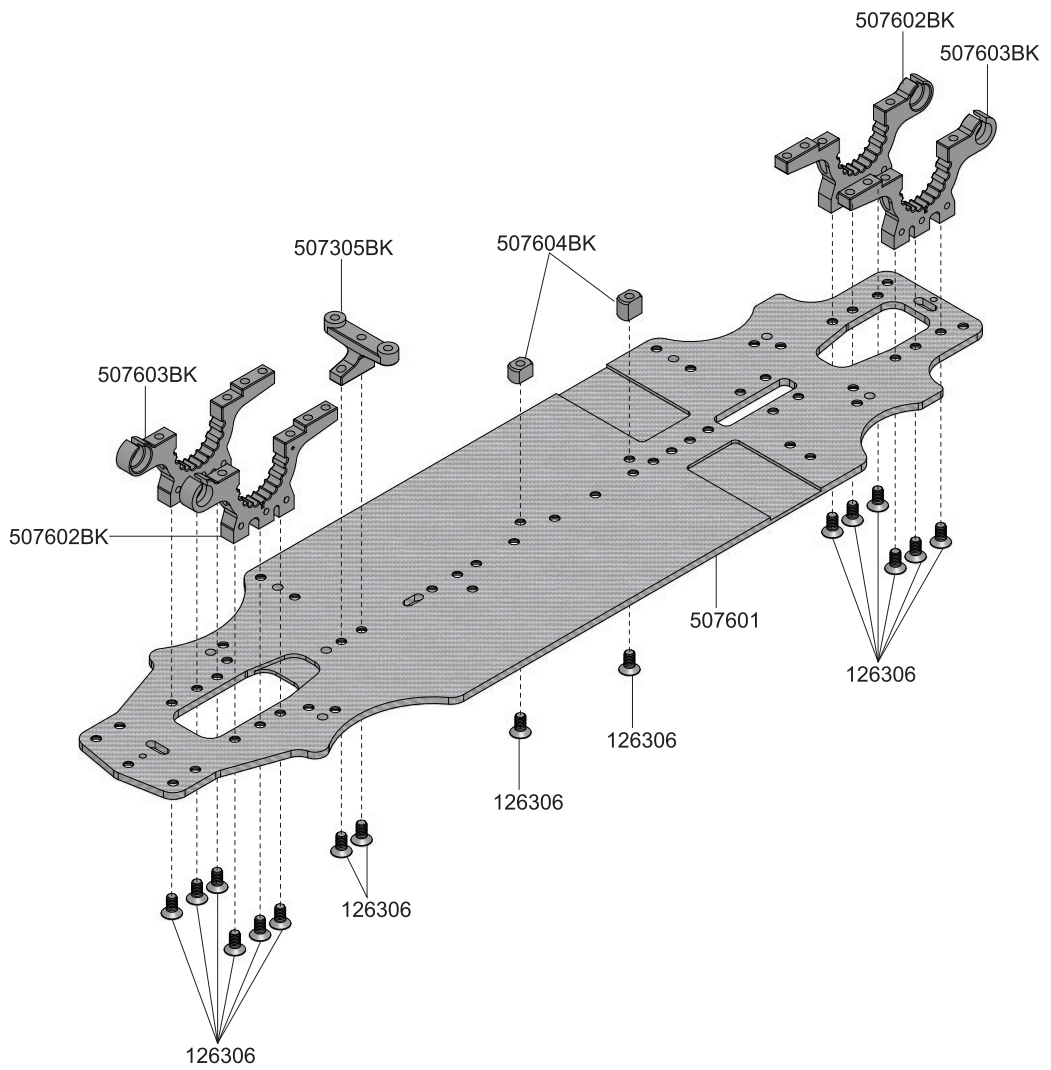
126304BU  
M3X5mm BH Screw

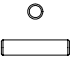


126306  
3x6mm Steel FH Screw




150510ST  
5x10x4mm Steel  
Bearing

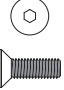


-  116228  
2x9.0mm Pin

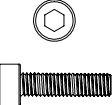
---

-  126304BU  
M3X4mm BH Screw

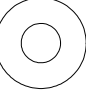
---

-  126308  
3x8mm Steel Flat  
Head Screw


---

-  126312C  
3X12mm CAP Screw

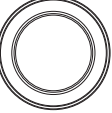
---

-  130129  
5.2x12x0.2mm Shim

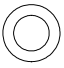
---

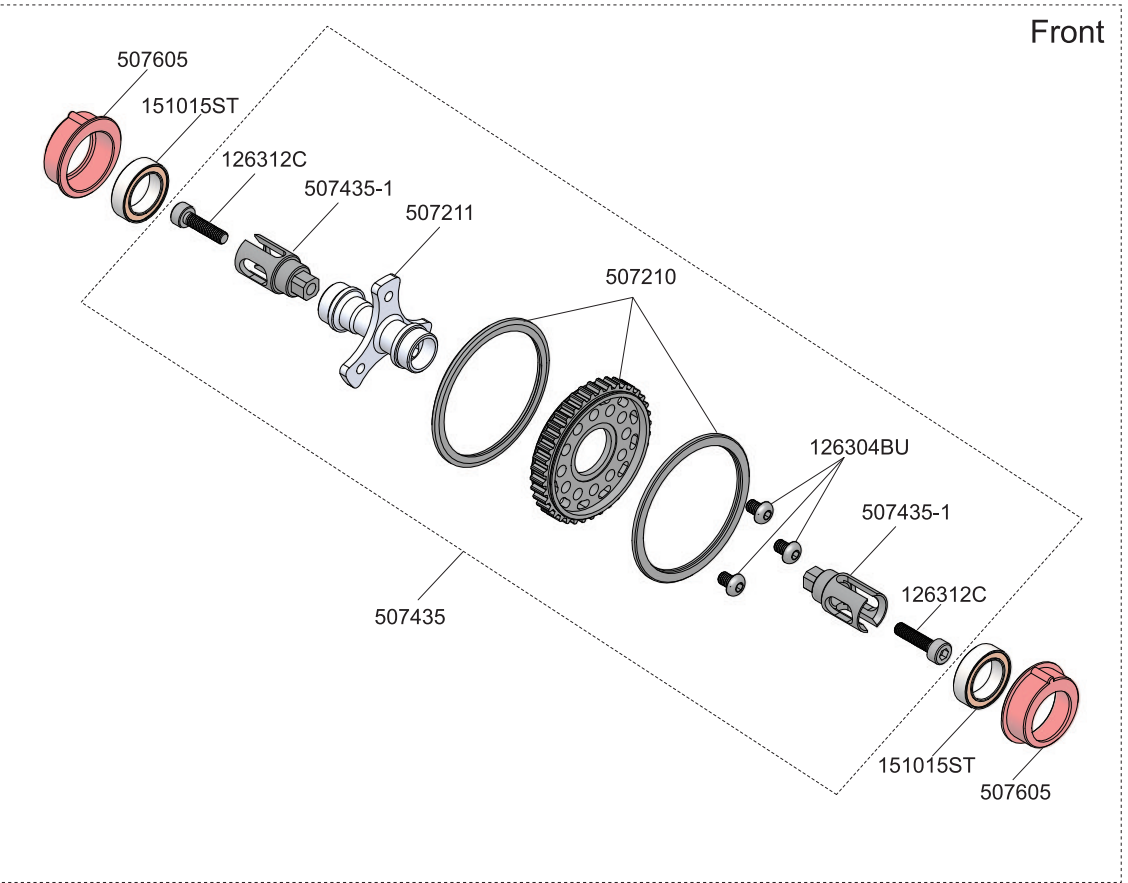
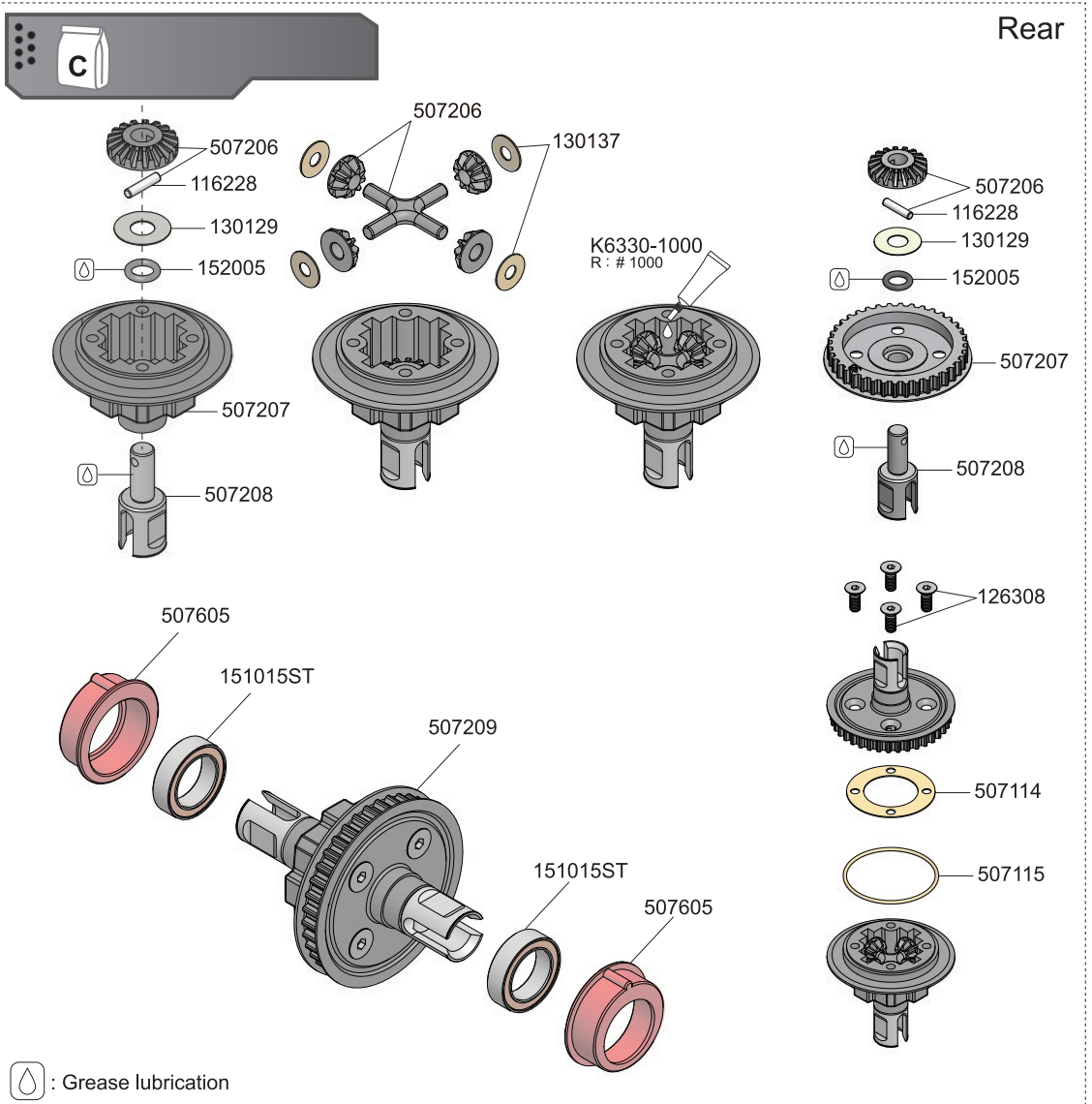
-  130137  
3.1x8x0.3mm Washer

---

-  151015ST  
10x15x4mm Steel  
Bearing

---

-  152005  
4.7x1.42 O-RING





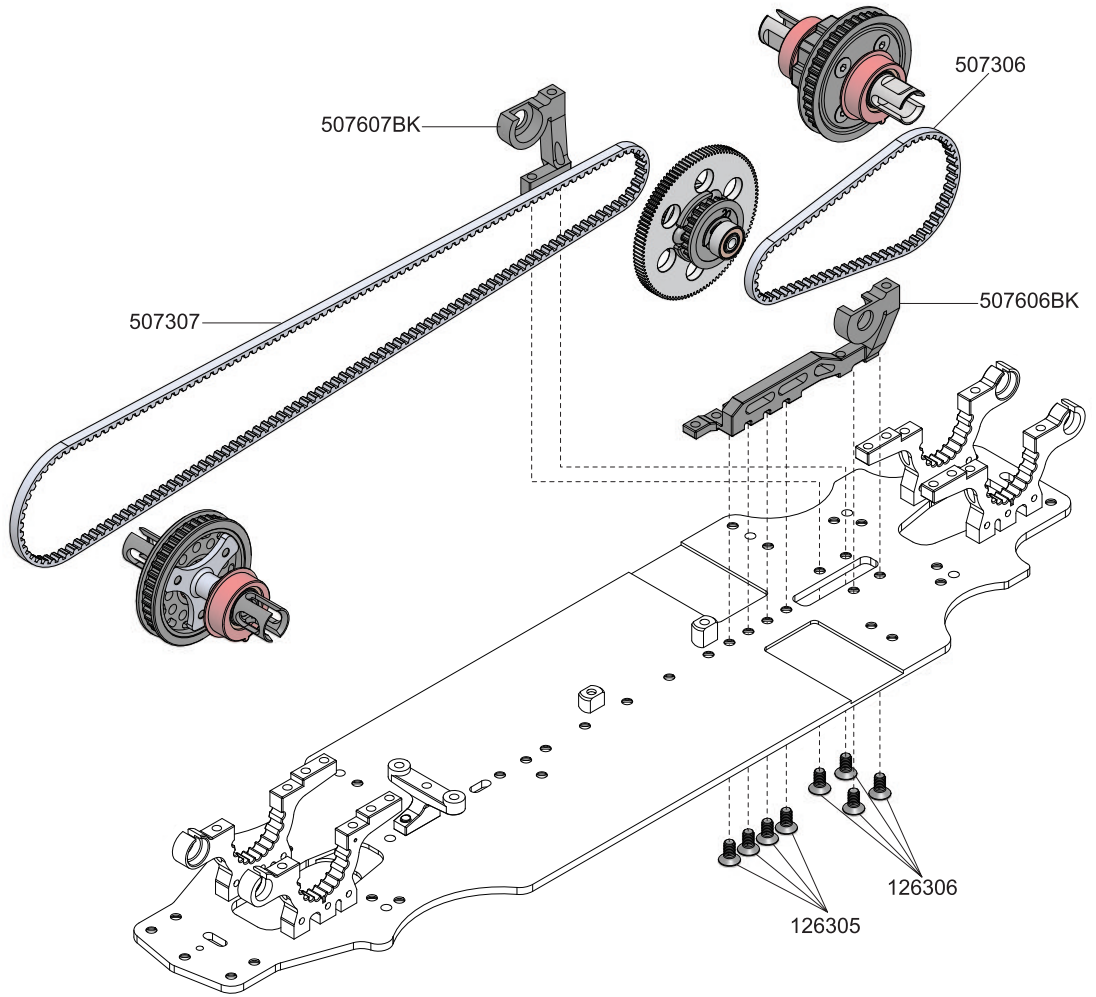
126305  
3x5mm Steel FH  
Screw



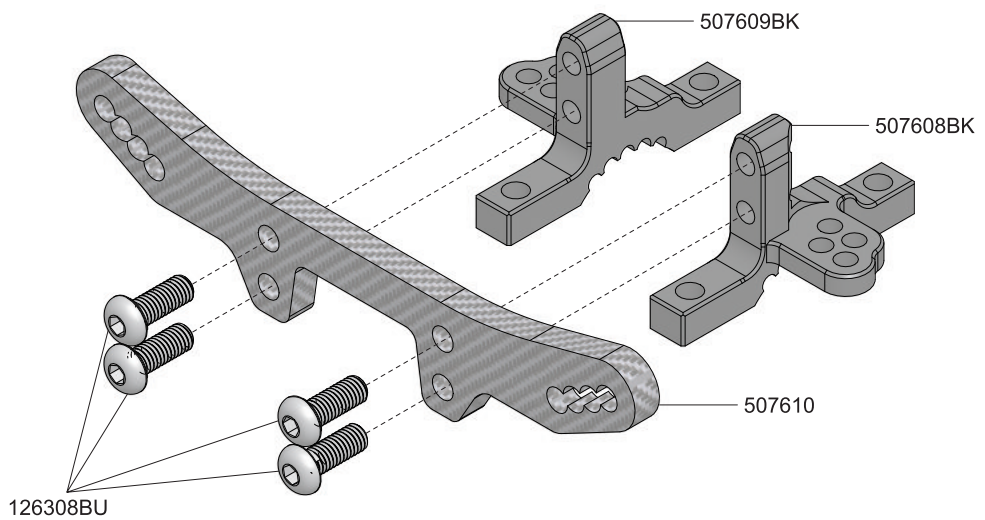
126306  
3x6mm Steel F.H.  
Screw



126308BU  
3X8mm Button  
Head Screw



Front

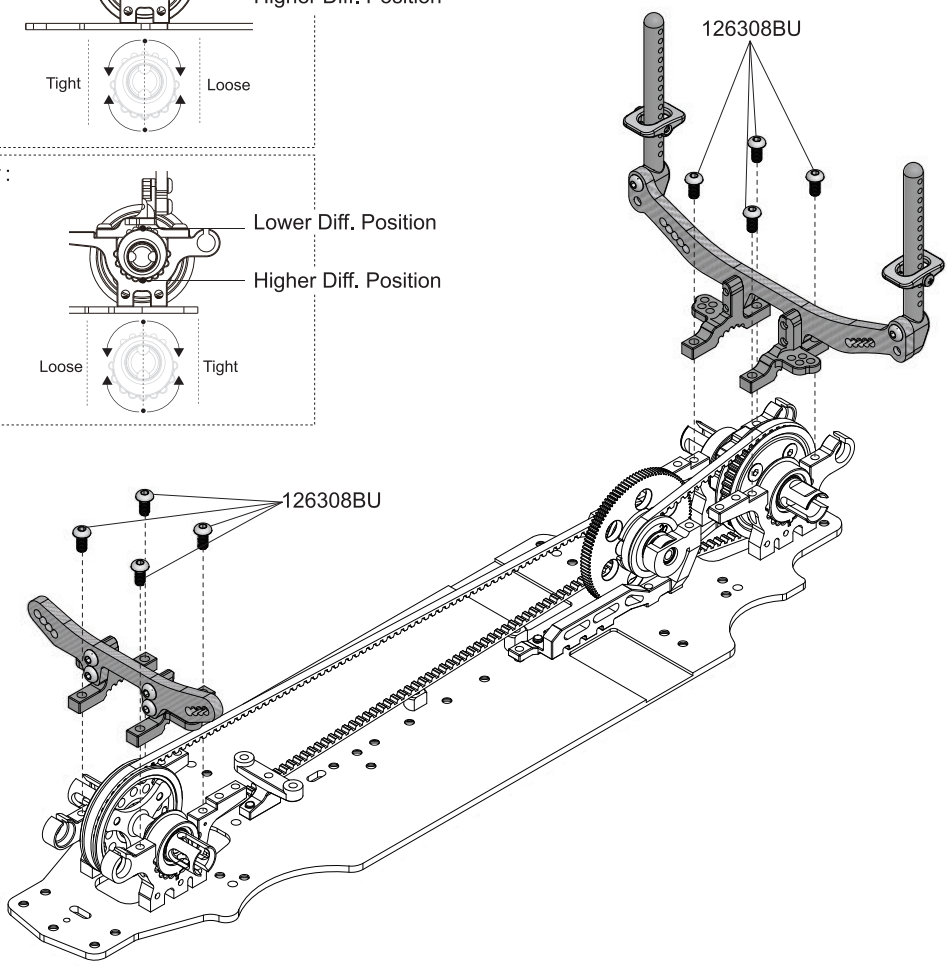
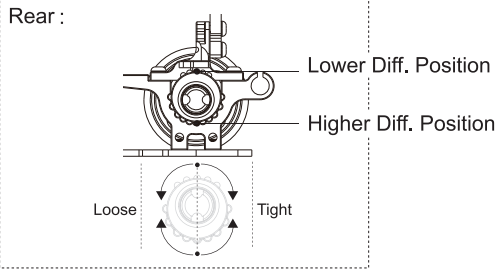
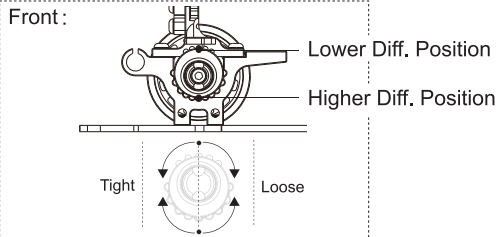
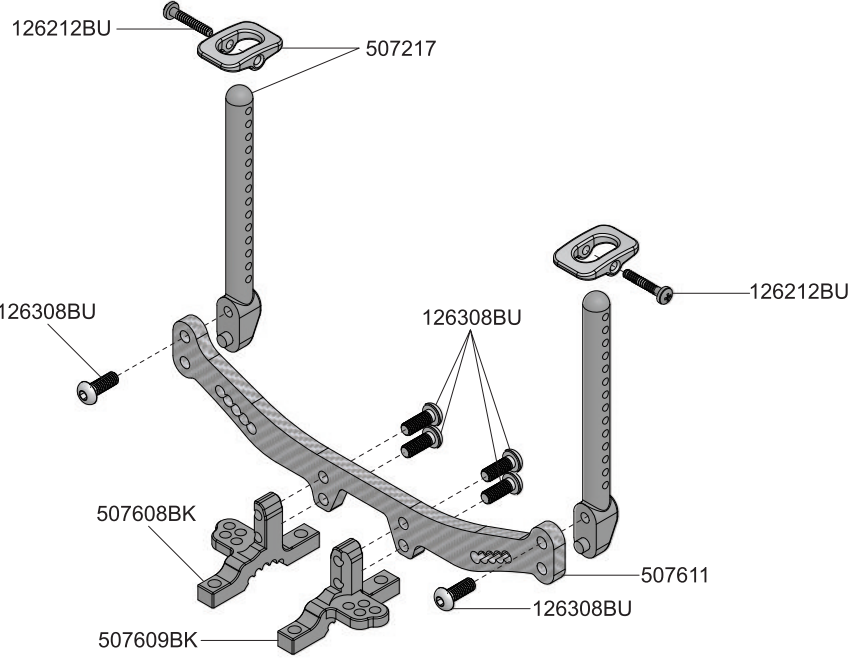




126212BU  
2X12mm BH Screw



126308BU  
3x8mm Steel Button  
Head Screw





126306BU  
3x8mm Steel Button  
Head Screw



126312BU  
3x12mm Steel Button  
Head Screw



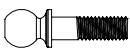
150306F  
3x6x2.5mm Flanged  
Bearing



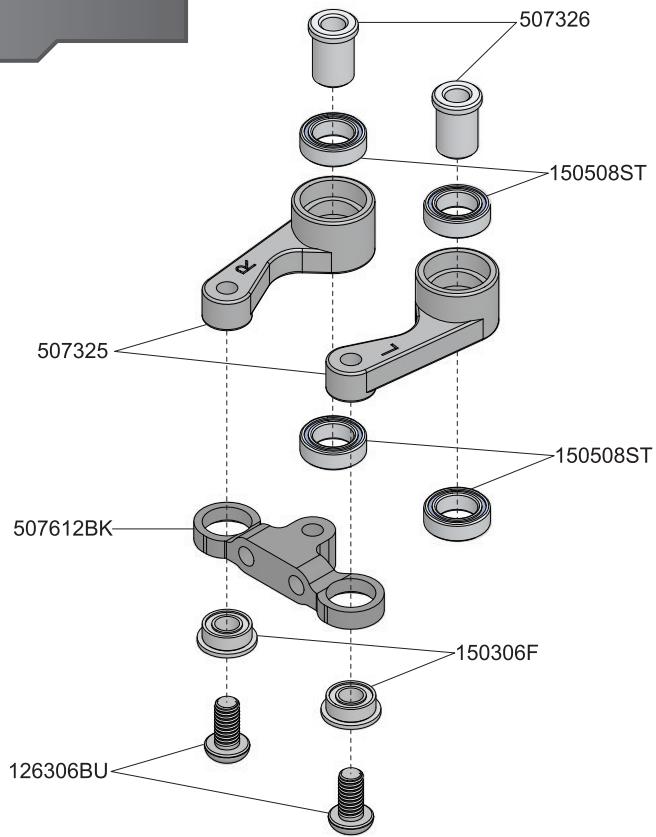
150508ST  
5x8x2.5mm Steel  
Bearing



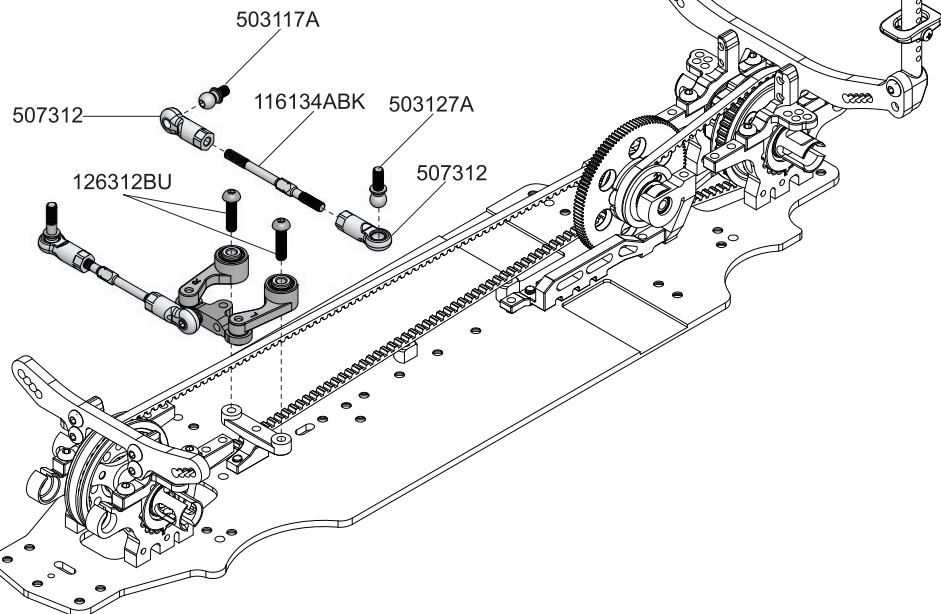
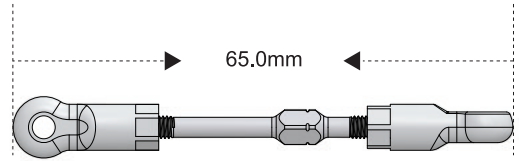
503117A  
5x4mm Ball Stud



503127A  
5x10mm Ball Stud



Front



Front



126204BU  
2x4mm Steel Button  
Head Screw



126307  
3x7mm Steel FH  
Screw



126308S  
M3X8mm Set



126405S  
M4x5mm Set Screw



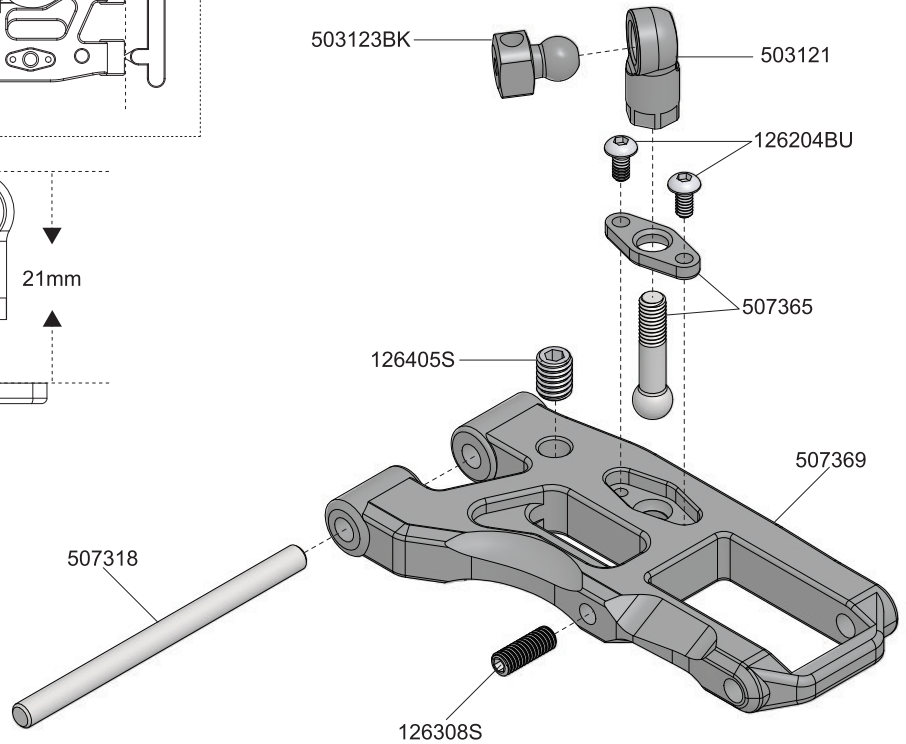
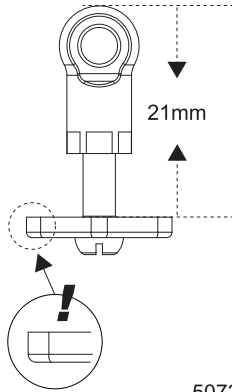
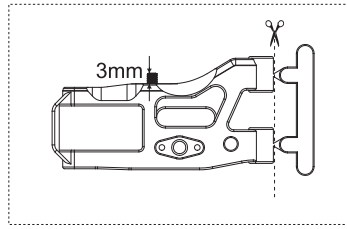
130114BK  
3X6X1mm Washer



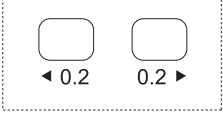
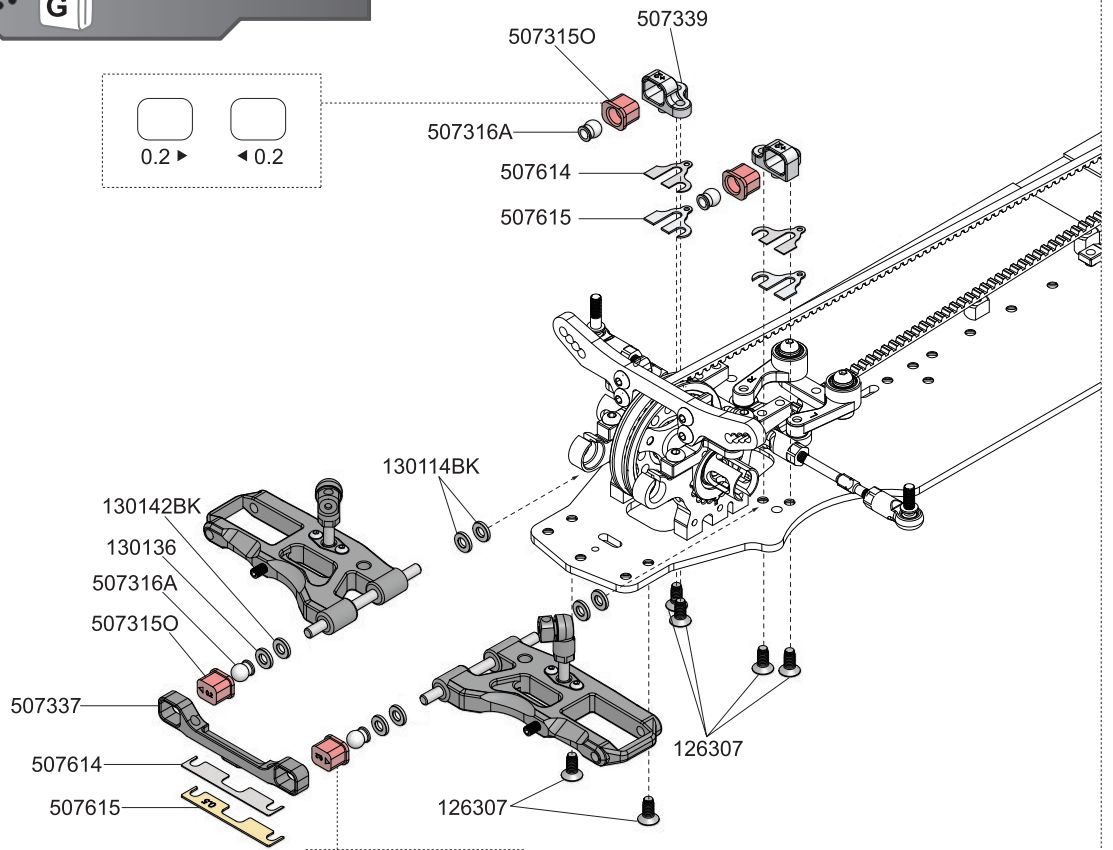
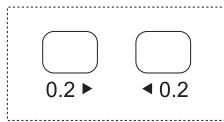
130142BK  
3X6X2.5mm Washer



130136  
3X5X0.75mm Washer



Front





Rear



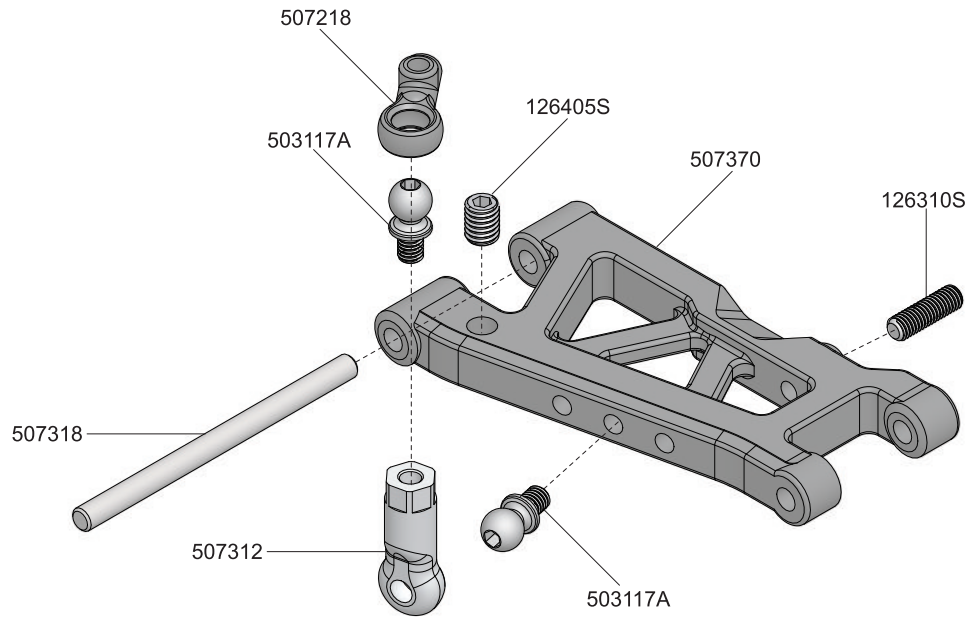
126307  
3x7mm Steel FH  
Screw



126310S  
M3X10mm Set



126405S  
M4x5mm Set Screw



Rear



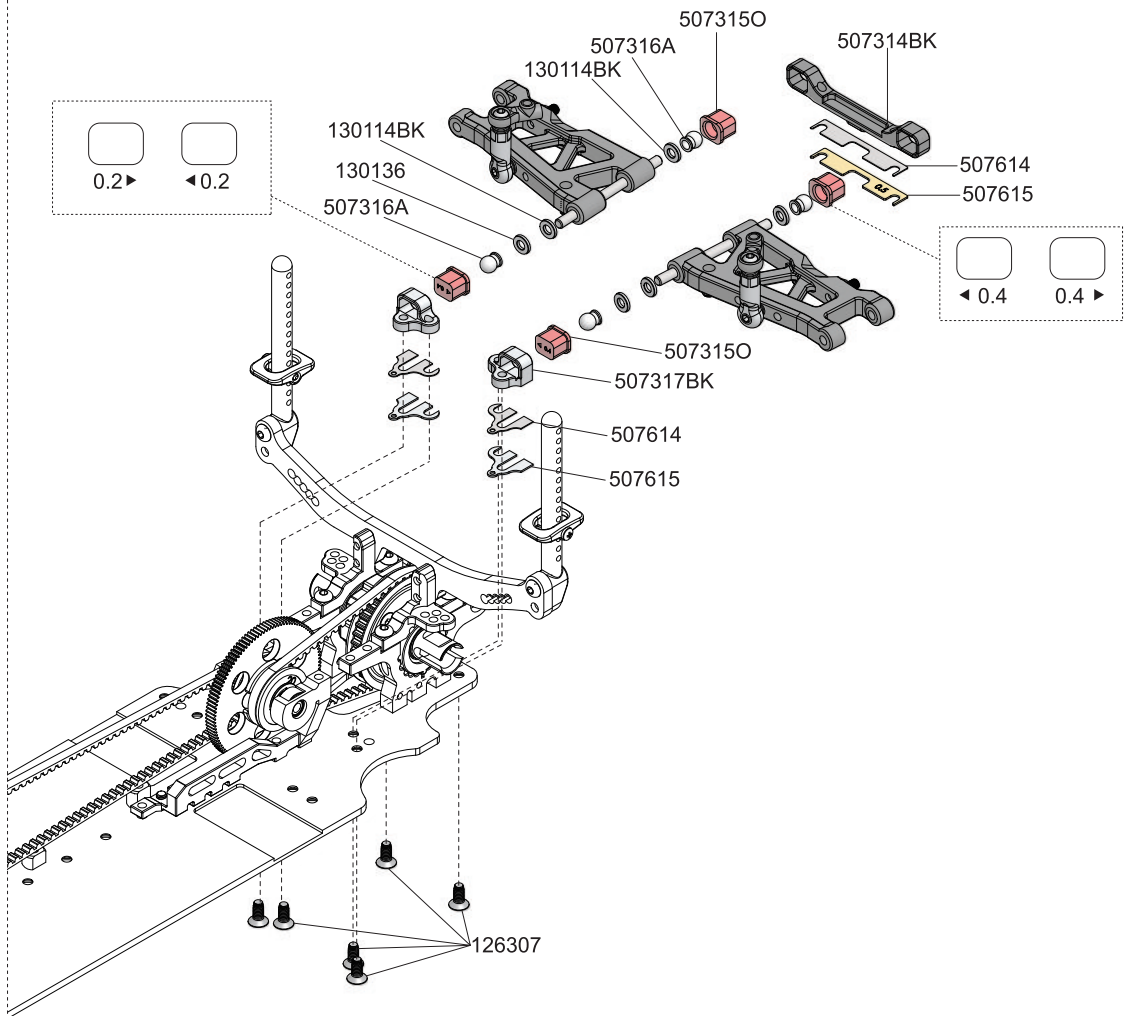
130114BK  
3X6X1mm Washer



503117A  
5x4mm Ball Stud



130136  
3X5X0.75mm Washer





111165  
3mm Flanged Nut



116240  
2x9.8mm Pin



126204C  
2x4mm Cap Screw



126303S  
3x3mm Set Screw



126310BU  
3x10mm Button Head  
Screw



130114BK  
3X6X1mm Washer



150510ST  
5x10x4mm Steel  
Bearing



503117A  
5x4mm Ball Stud



503127A  
Steering Block  
5x10mm Ball Stud



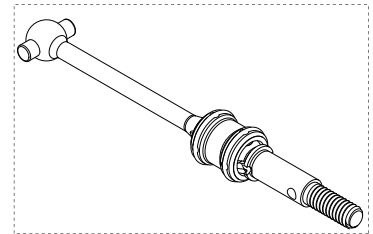
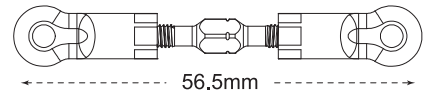
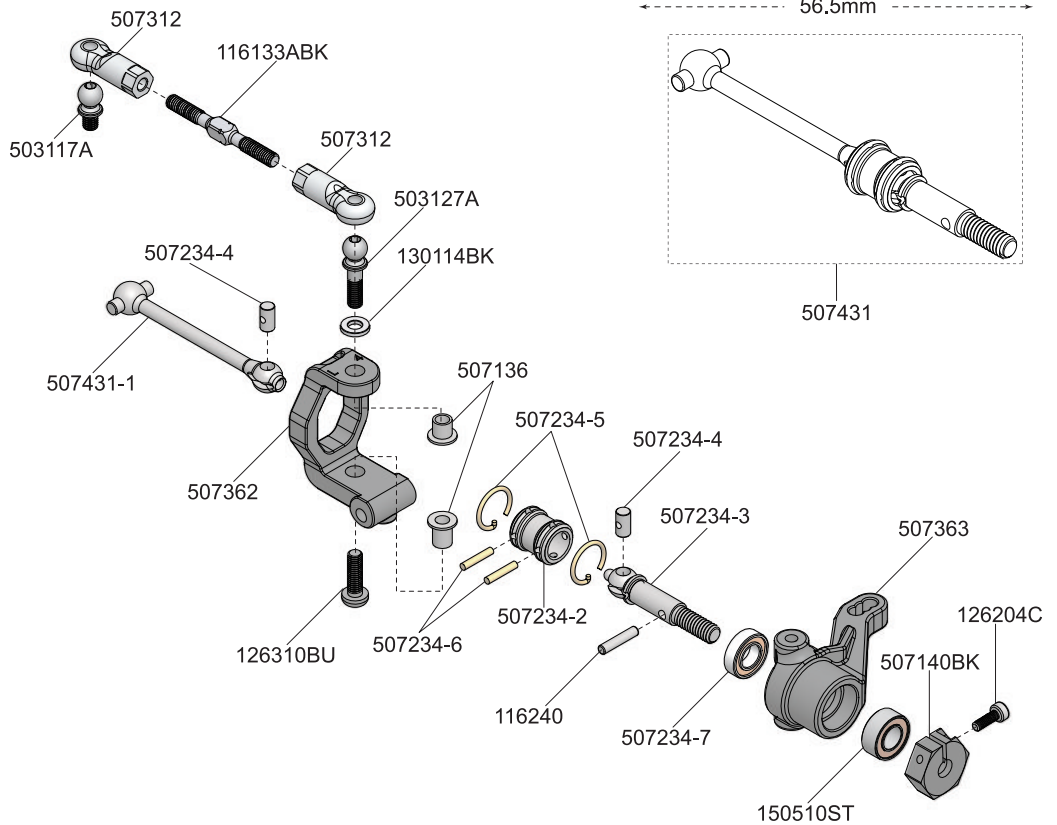
507234-6  
1.5x8.5mm Pin



507234-7  
5x10x3mm Steel  
Bearing



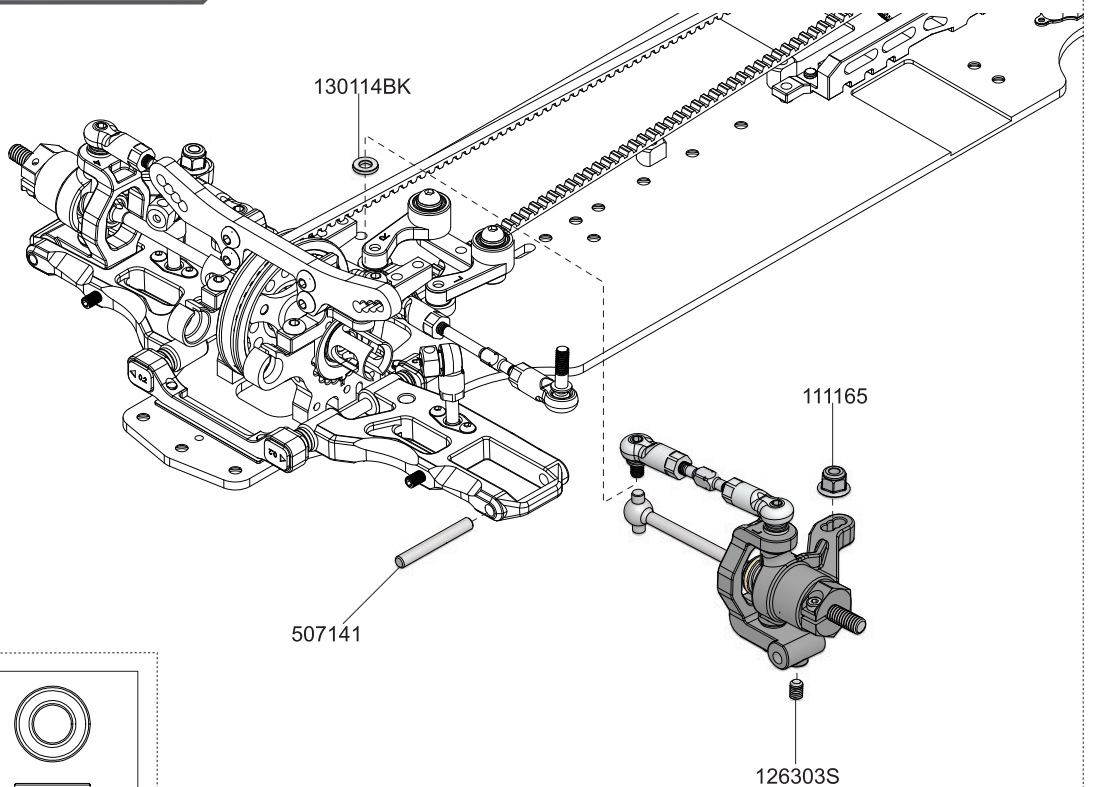
Front



507431



Front





116219BK  
3x6x2mm Alum.  
Washer



116240  
2x9.8mm Pin



126204C  
2x4mm Cap Screw



126304S  
3x4mm Set Screw



130114BK  
3X6X1mm Washer



150510ST  
5x10x4mm Steel  
Bearing



503117A  
5x4mm Ball Stud



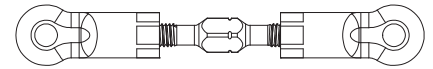
503127A  
Steering Block  
5x10mm Ball Stud



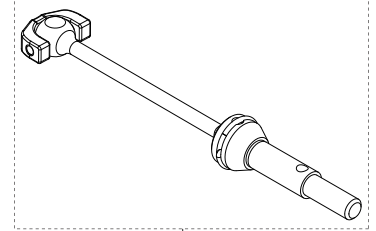
116244  
2x7.8mm Pin



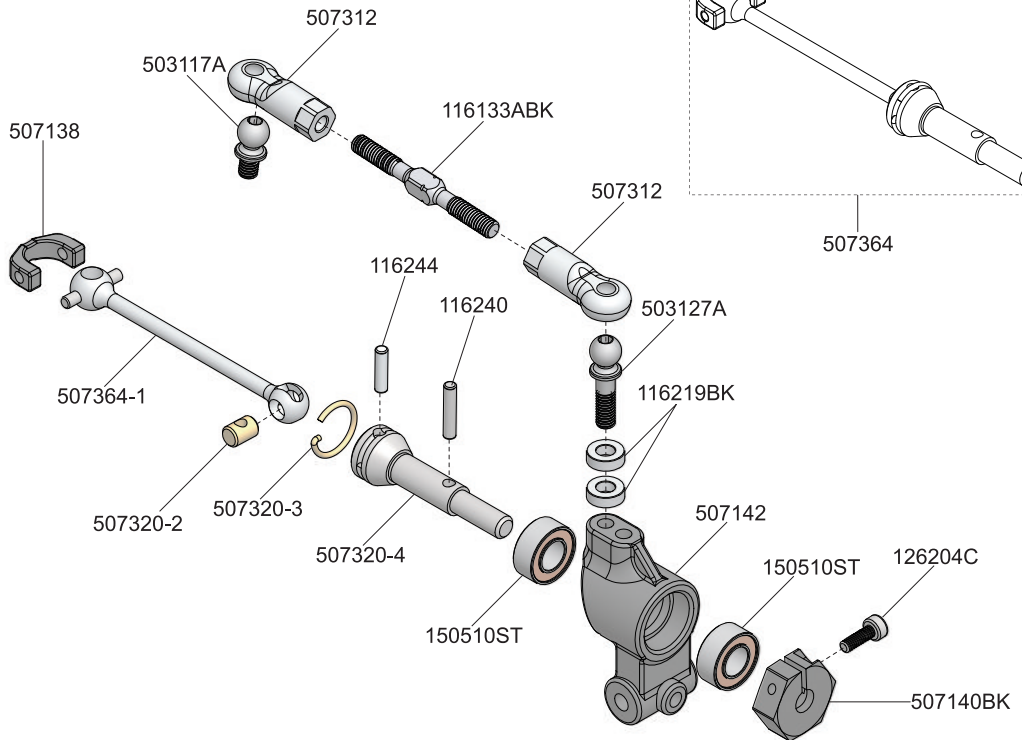
Rear



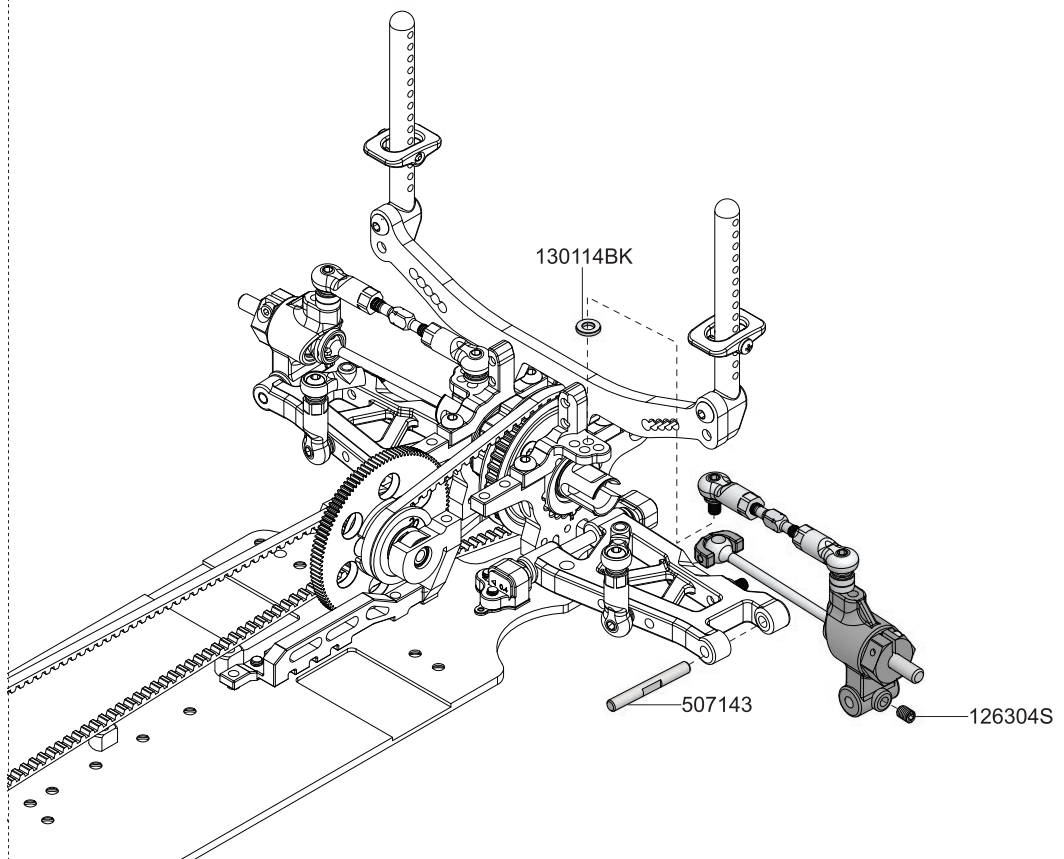
54.5mm



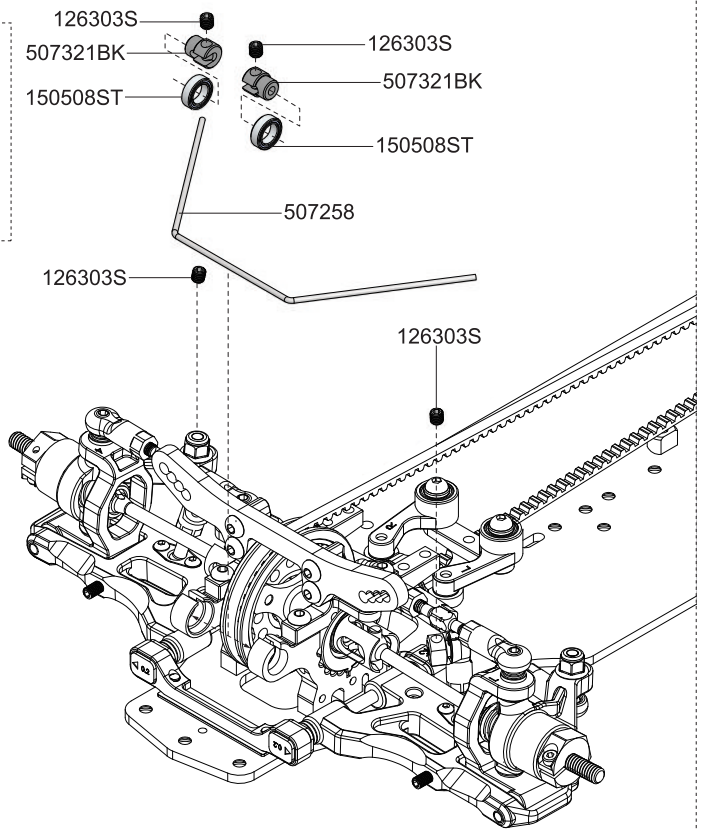
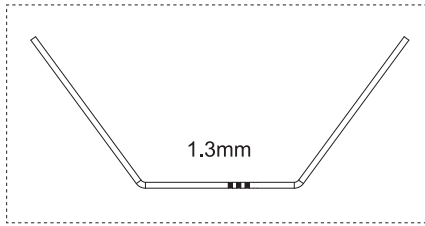
507364



Rear



Front

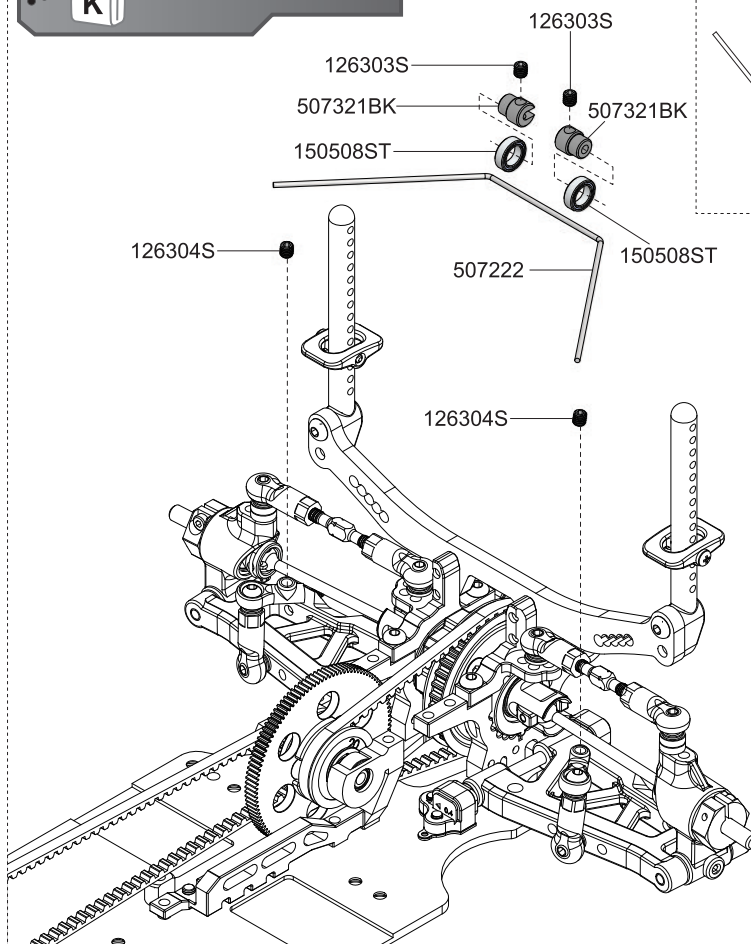
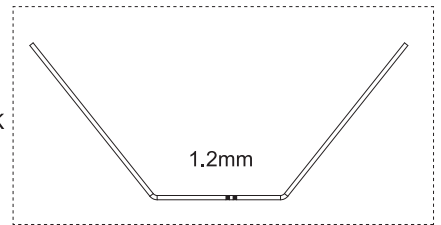


126303S  
3x3mm Set Screw

126304S  
3x4mm Set Screw

150508ST  
5x8x2.5mm Bearing

Rear





116219BK  
3x6x2mm Alum.  
Washer



126306  
3x6mm Steel FH  
Screw



126306BU  
3x6mm Steel Button  
Head Screw



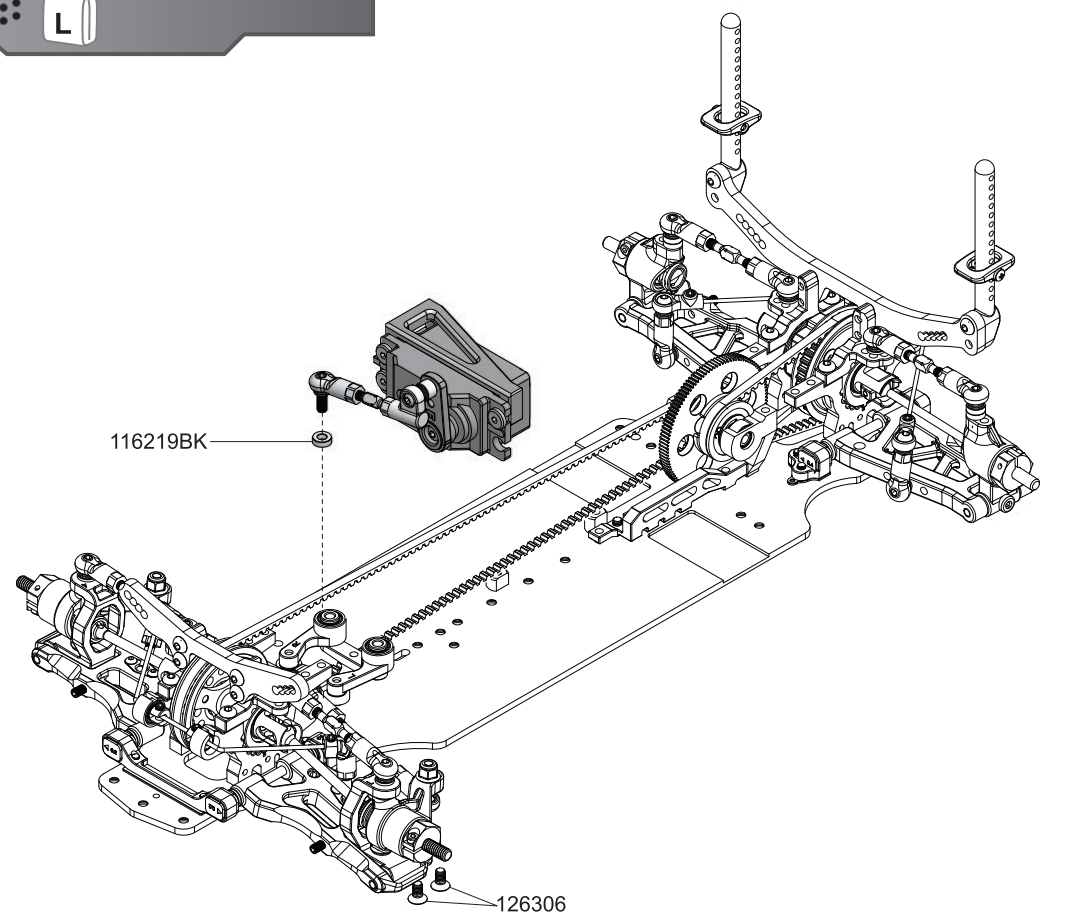
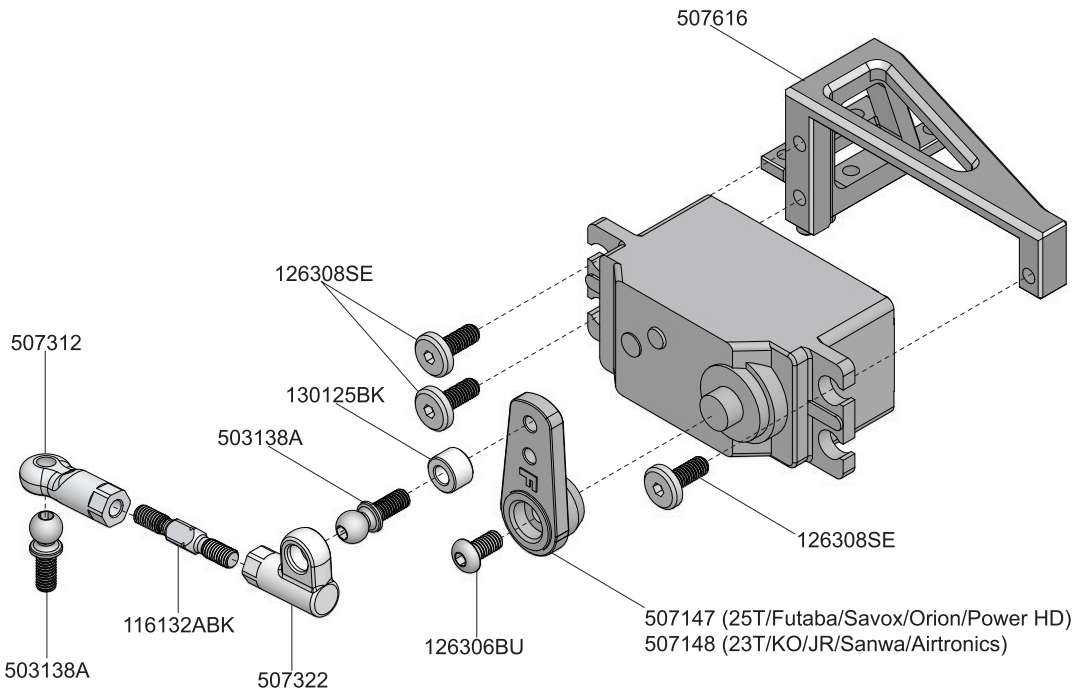
126308SE  
3x8mm Steel Flat  
Round Servo Mount  
Screw



130125BK  
3x6x4mm Alum.  
Washer



503138A  
5x7mm Ball Stud





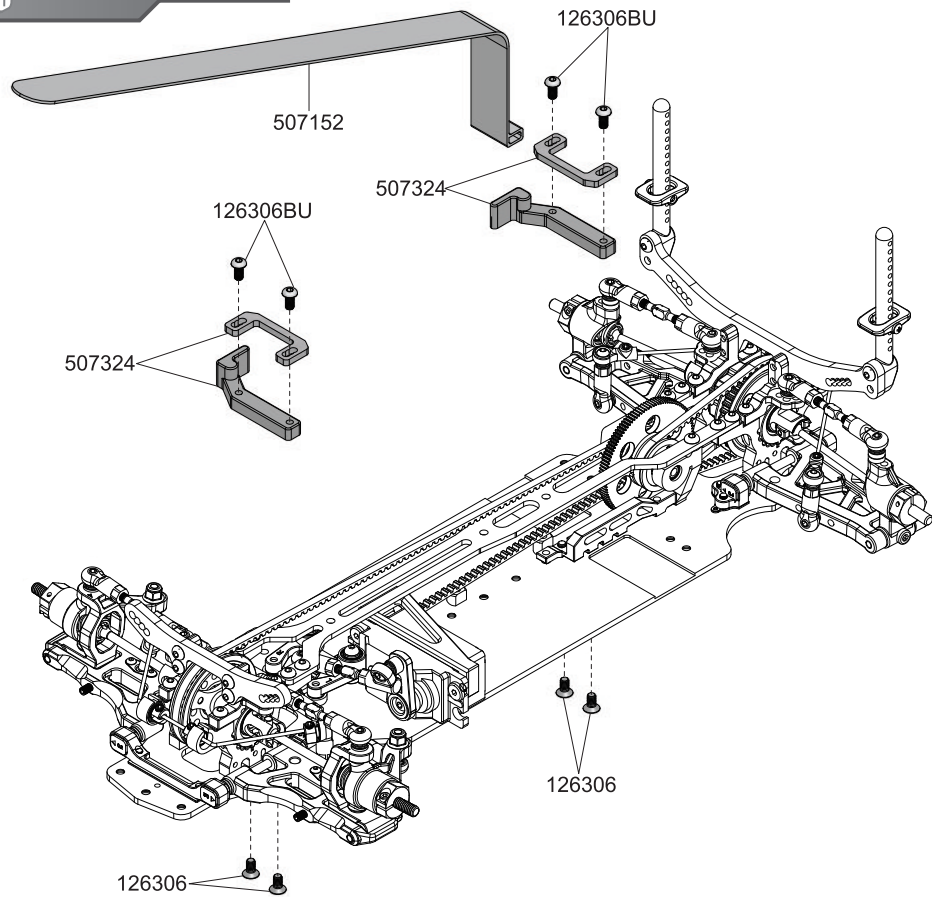
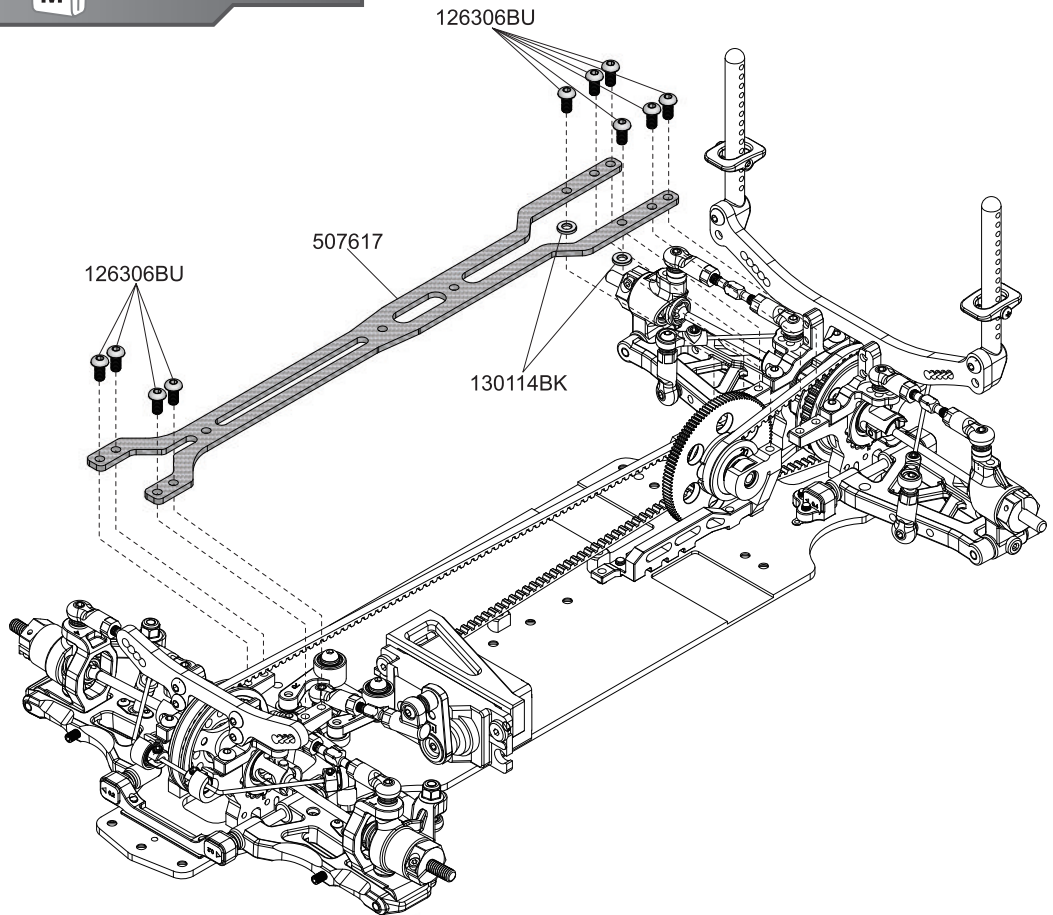
126306  
3x6mm Steel FH  
Screw



126306BU  
3x6mm Steel Button  
Head Screw



130114BK  
3X6X1mm Washer





116219BK  
3x6x2mm Alum.  
Washer



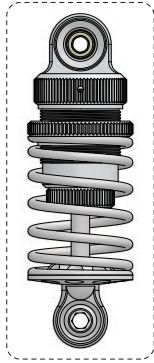
116227  
E-clip 2.0



126308BU  
3x8mm Steel Button  
Head Screw



130130  
2.6X6X0.3mm  
Washer



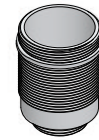
507618

116227

507620

130130

507621



507618-2



152012

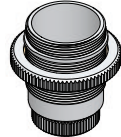
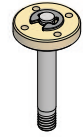


507618-2

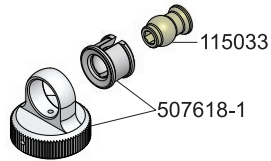
152013

507618-3

507618-4



507233



115033



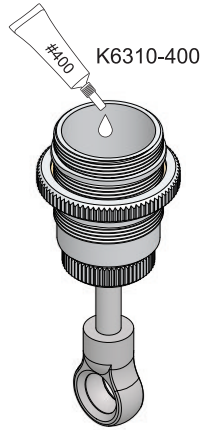
507618-1



507619



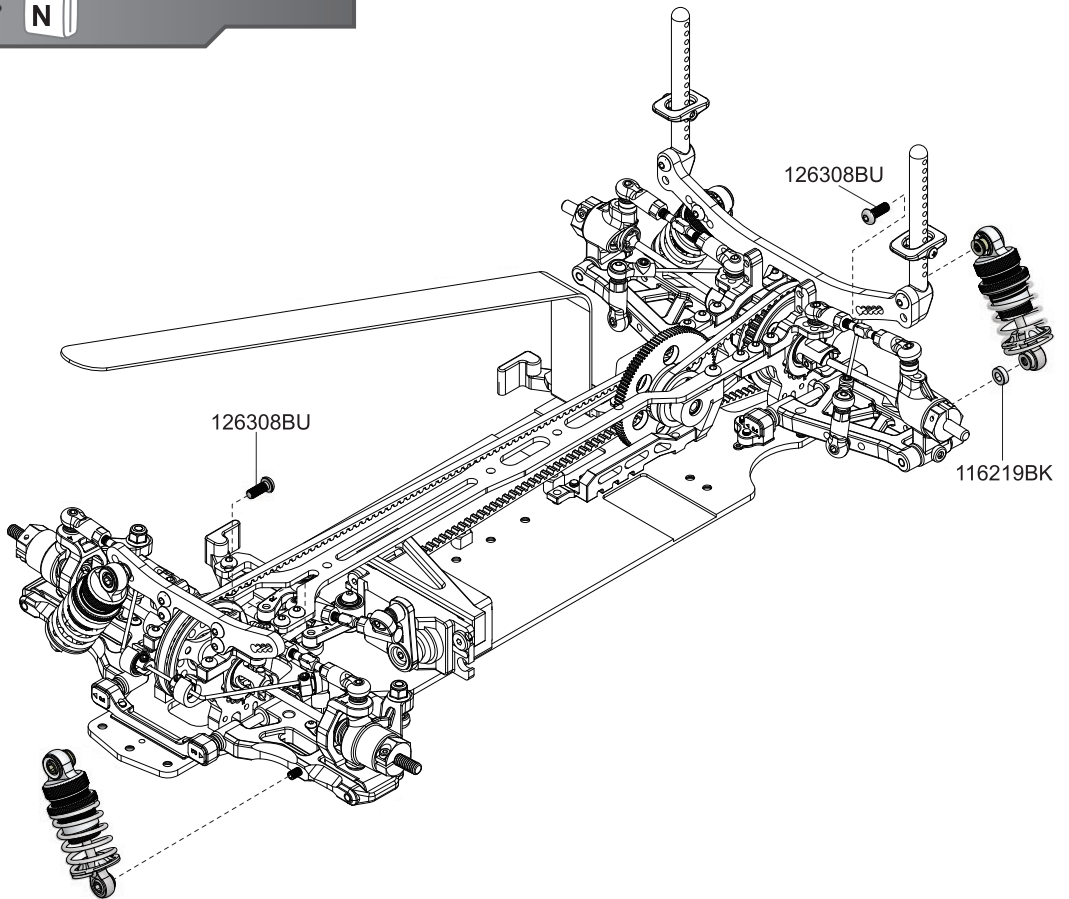
115034



Front : 153010 - L2.7  
Rear : 153020 - P2.6



507328BK





111007ST  
3mm Steel Locknut



126212BU  
2X12mm BH Screw



126306  
3x6mm Steel FH  
Screw



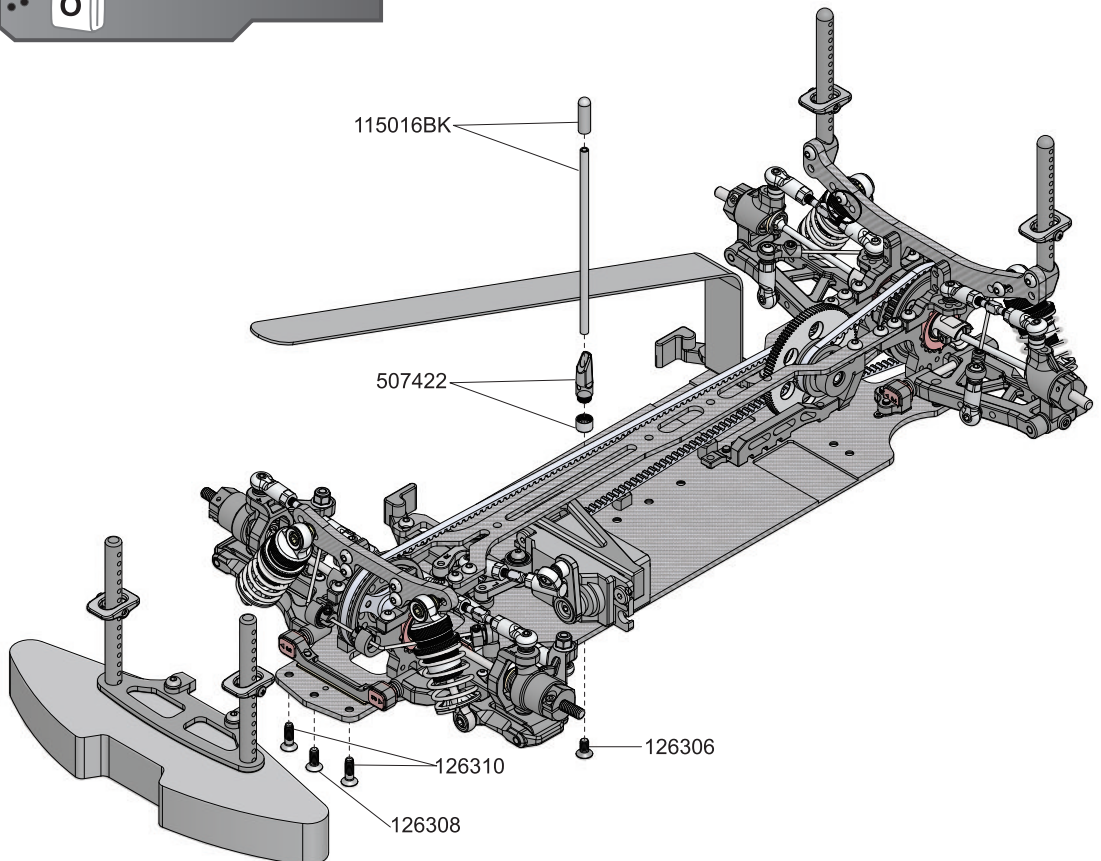
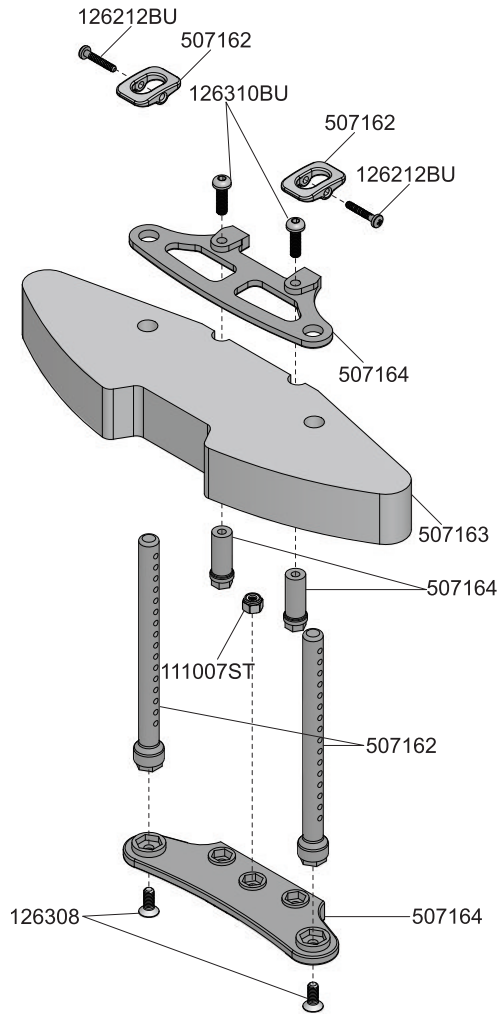
126308  
3x8mm Steel F.H.  
Screw



126310  
3x10mm Steel FH  
Screw



126310BU  
3x10mm Button Head  
Screw



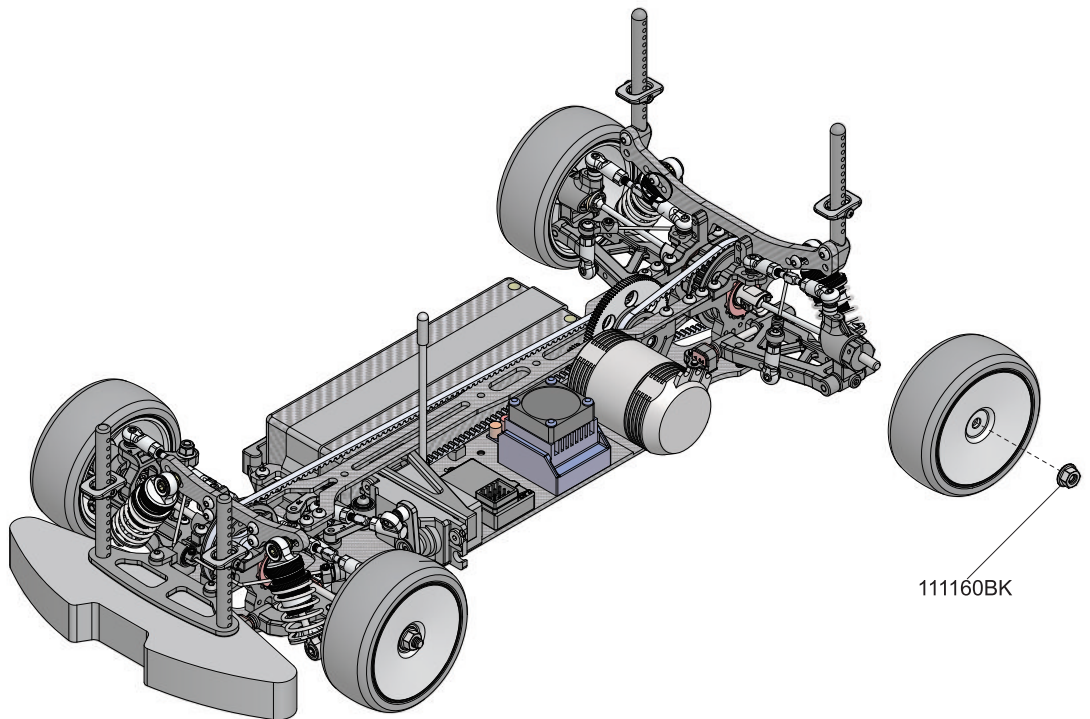
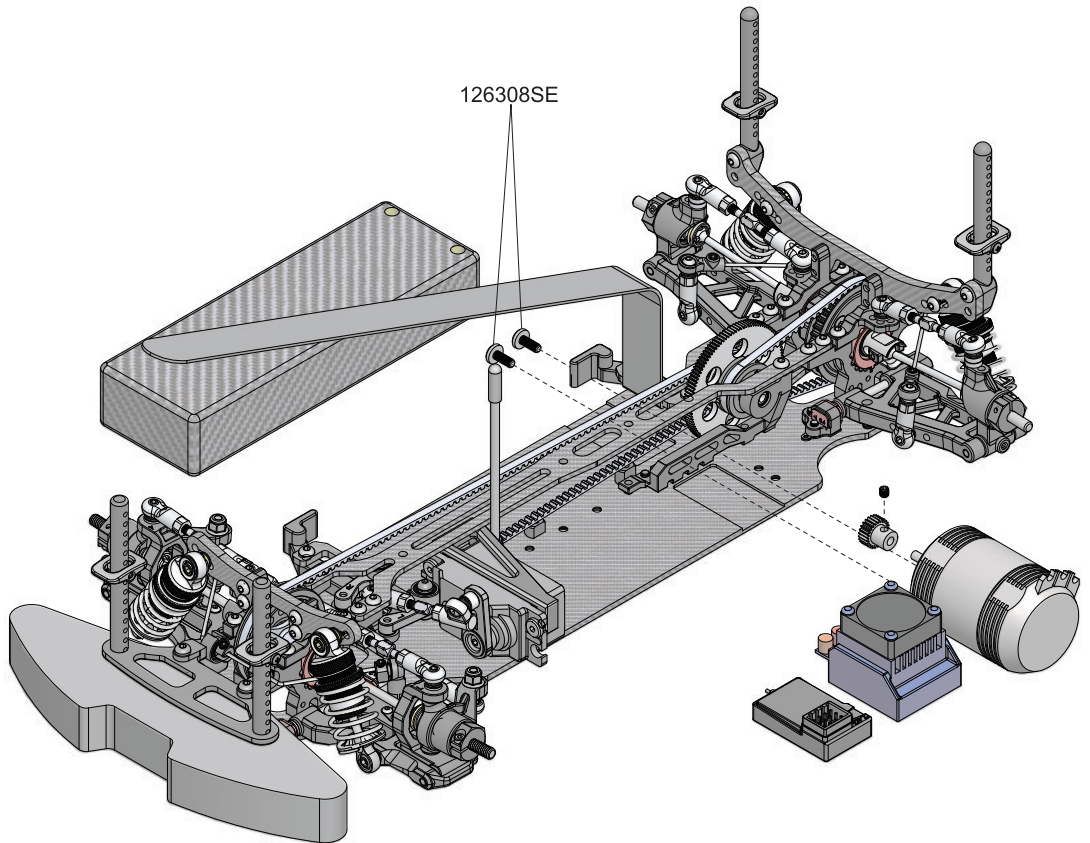




111160BK  
4mm Special Wheel  
Lock Nut-Black



126308SE  
3x8mm Steel Flat  
Head Screw



111160BK

**P**  **Flex Setting**



126304BU  
3x4mm Steel Button  
Head Screw



126312  
3x12mm Steel FH  
Screw



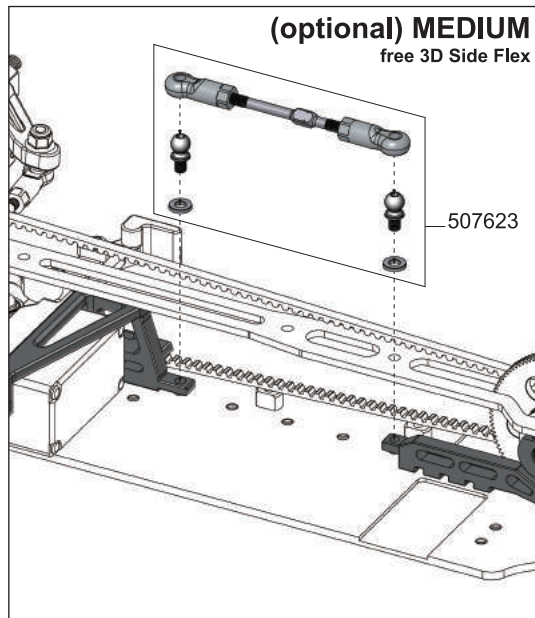
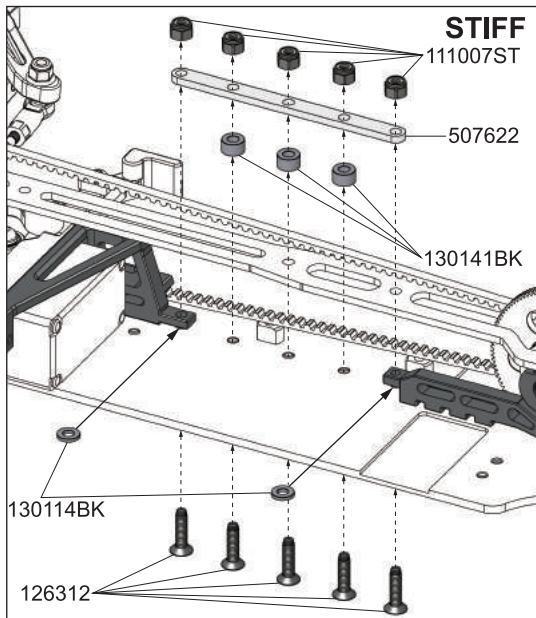
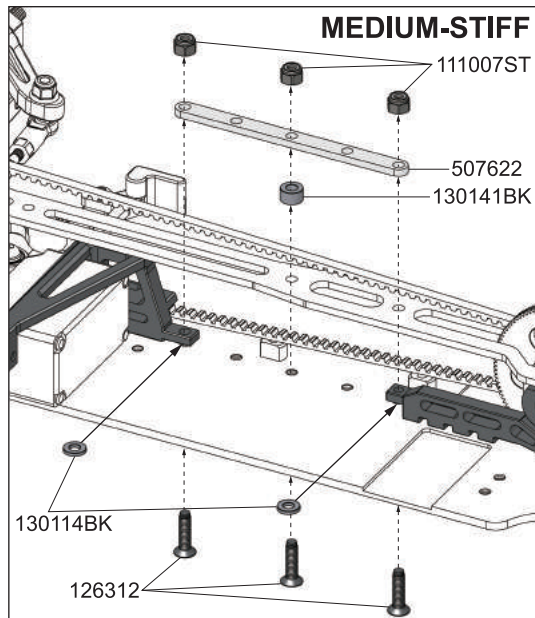
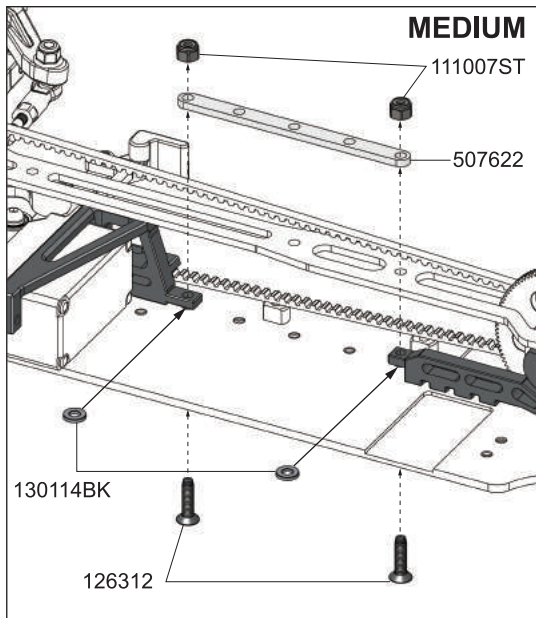
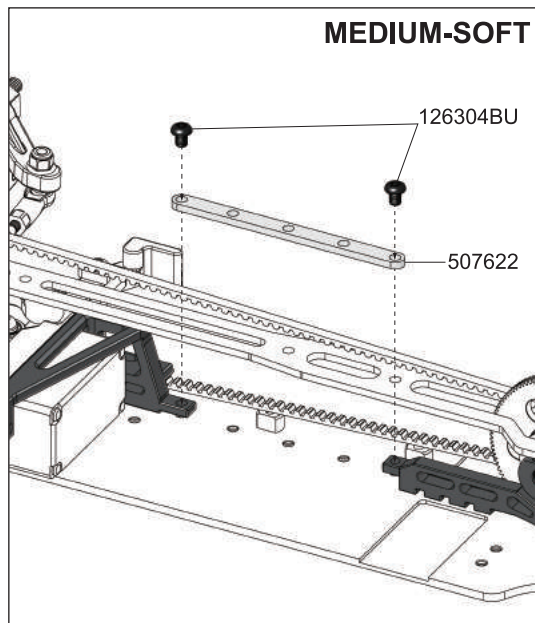
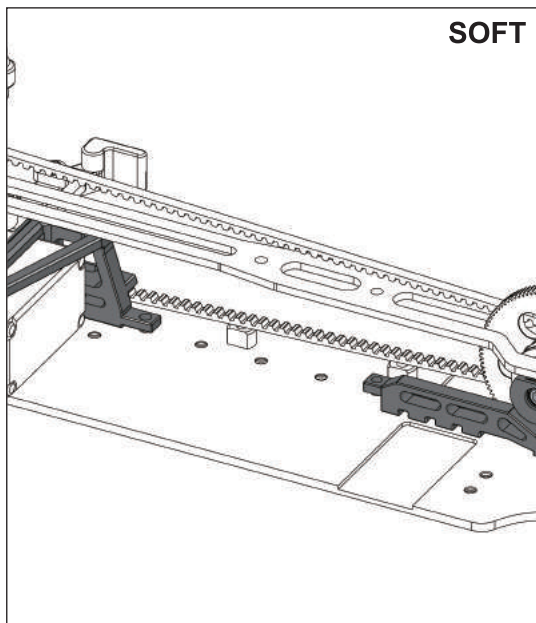
130141BK  
3X6X3.5mm Washer



130114BK  
3X6X1mm Washer



111007ST  
3mm Steel Locknut





# Parts List

PARTS	
Item No.	Item Description
111007ST	3mm Steel Locknut (10)
111160BK	4mm Special Wheel Lock Nut-Black (4)
111165	3mm Flanged Nut(10)
115016BK	Antenna Rod (2) BLACK
115033	5.8mm Hex Socket Steel Ball-Long Neck (6)
115034	5.8mm Hex Socket Steel Ball-Short Neck (6)
116132ABK	3x20mm Alum.7075 Adjustable Rod (2)-BK
116133ABK	3x30mm Alum.7075 Adjustable Rod (2)-BK
116134ABK	3x40mm Alum.7075 Adjustable Rod (2)-BK
116203	E-clip 5 (10)
116219BK	3x6x2mm Alum. Washer (6)-BK
116227	E-clip 2.0 (10)
116228	2x9.0mm Pin(10)
116238	2x12.8mm Pin (10)
116240	2x9.8mm Pin (10)
116244	2x7.8mm Pin (10)
126204BU	2x4mm Steel Button Head Screw (6)
126204C	2x4mm Steel Cap Screw (6)
126212BU	2x12mm BH Screw(10)
126303S	3x3mm Set Screw (6)
126304BU	3x4mm BH Screw(10)
126304S	3x4mm Set Screw (6)
126305	3x5mm Steel FH Screw (6)
126306	3x6mm Steel FH Screw (6)
126306BU	3x6mm Steel Button Head Screw (6)
126307	3x7mm Steel FH Screw (6)
126308	3x8mm Steel F.H. Screw (6)
126308BU	3x8mm Steel Button Head Screw (6)
126308S	3x8mm Set Screw (10)
126308SE	3x8mm Steel Flat Round Servo Mount Screw (6)
126310	3x10mm Steel F.H. Screw (6)
126310BU	3x10mm Button Head Screw (6)
126310S	3x10mm Set Screw (6)
126312	3x12mm Steel F.H. Screw (6)
126312BU	3x12mm Button Head Screw (6)
126312C	3x12mm Cap Screw (6)
126405S	4x5mm Set Screw(6)
130114BK	3x6x1mm Washer(10)-BK
130125BK	3x6x4mm Alum. Washer (6)-BK
130129	5.2x12x0.2 Washer (10)
130130	2.6X6X0.3mm Washer(10)
130136	3x5x0.75mm Alum. Washer (6)
130137	3.1x8x0.3mm Washer (10)
130141BK	3x6x3.5 Washer-BK (6)
130142BK	3x6x2.5 Washer-BK (6)
150306F	3x6x2.5mm Flanged Bearing (2)
150508ST	5x8x2.5mm Steel Bearing(4)
150510ST	5x10x4mm Steel Bearing (4)
151015ST	10x15x4mm Steel Bearing (4)
152005	O-Ring 4.7X1.4mm(10)
152012	13x16x1.5 O-RING (4)
152013	2.9x6.9x2 O-RING (8)
153010-L2.7	Shock Springs-1/10 Touring-PRO Linear-14x22.5x1.5mm-L2.7
153020-P2.6	Shock Springs-1/10 Touring-PRO Progressive-14x22.5x1.4mm-P2.6
503117A	Alum. 5x4mm Ball Stud (6)
503121	E4 Short Ball Cup (6)
503123BK	E4 Alum. Anti-Roll Bar Ball (4)-BK
503127A	Alum. 5x10mm Ball Stud (4)
503138A	Alum. 5x4mm Ball Stud (6)
507109	Alum. Spur Gear Holder
507110	20T Pulley (2)
507114	Diff. Case Gasket (4)
507115	Diff. Case O-ring (4)
507136	Bushing For Caster Block (2+2)
507138	Universal Driveshaft Plastic Pin Cover (8)
507140BK	Alum. Wheel Adapter-BK (4)
507141	Caster Block Pin (2)
507142	Rear Hub Carrier (2)
507143	Rear Hub Carrier Pin (2)
507147	Servo Arm (Futaba) (2)
507148	Servo Arm (Ko,Sanwa) (2)
507152	Quick Release Battery Strap
507162	Front Body Support (2)

Item No.	Item Description
507163	Foam Bumper
507164	Bumper Mount Set
507206	Light Weight Bevel Gear Set (4+2)
507207	Light Weight Diff. Case
507208	Light Weight Alum. Diff. Joint (2)
507209	Light Weight Gear Diff. Set
507210	Front Spool 38T Pulley
507211	Front Spool Pulley Holder
507217	Rear Body Support (2)
507218	Anti-Roll Bar Ball Cup (4)
507222	Rear Anti-Roll Bar 1.2mm (1)
507233	Low CG Shock Ball End & Nylon Set (4)
507234-2	Joint for Nunchaku (2)
507234-3	Wheel Axel for Nunchaku (2)
507234-4	Joint Hinge Pin for Nunchaku (4)
507234-5	G-Clip for Nunchaku (4)
507234-6	1.5x8.5mm Pin for Nunchaku (4)
507234-7	5x10x3mm Bearing for Nunchaku (2)
507258	Front Anti Roll Bar 1.3mm
507305BK	Steering Lower Floating Mount
507306	Rear Belt
507307	Front Belt
507312	5mm Ball Cup (6)
507314BK	FF/RR Suspension Mount
507315O	Suspension Mount Inserts (0,0.2,0.4)-Orange
507316A	Alum. Suspension Mount Pivot Ball (4)
507317BK	FR/RF Suspension Mount
507318	Rear Suspension Axle (2)
507320-2	Pivot for 507320 (4)
507320-3	G-Clip for Universal Driveshaft (4)
507320-4	Steel Universal Joint Outdriver (2)
507321BK	Anti-Roll Bar Retainers (2)-BK
507322	"L" Type Servo Ball Cup (2)
507324	Battery Mount System
507325	Plastic Steering Levers
507326	Steering Lever Post (2)
507328BK	Lower Spring Cups with lowered spring height (4)
507337	FF/RR Suspension Mount (+2mm)
507339	FR/RF Suspension Mount (+2mm)
507362	Caster Block 4° - HARD (2)
507363	Steering Block (2)
507364	Lightweight Steel CVD Driveshaft (2)
507364-1	Steel Driveshaft Only (2)
507365	Front Anti-roll Bar Rod (2)
507369	Front Suspension Arm -Plus (2)
507370	Rear Suspension Arm -Plus (2)
507422	Antenna Rod Mount
507431	Universal Driveshaft Nunchaku Type(3mm Pin) (2)
507431-1	Driveshafts Only for Nunchaku with 3mm Pin (no blades) (2)
507435	Front Spool Set(3mm Pin)
507435-1	Outdrive for 507435 (2)
507601	Chassis 2,3mm
507602BK	FL/RR Lower Bulkhead
507603BK	FR/RL Lower Bulkhead
507604BK	Center Battery Guides (2)
507605	Belt Tension Adjuster (4)
507606BK	Alum. Motor Bulkhead
507607BK	Alum. Main Shaft Right Bulkhead
507608BK	FL/RR Upper Bulkhead
507609BK	FR/RL Upper Bulkhead
507610	Carbon Fiber Front Shock Tower
507611	Carbon Fiber Rear Shock Tower
507612BK	Alum. Middle Steering Plate
507613	Suspension Mount Spacer Set 0.10mm (2+4)
507614	Suspension Mount Spacer Set 0.25mm (2+4)
507615	Suspension Mount Spacer Set 0.5mm (2+4)
507616BK	Servo Mount
507617	Upper Deck
507618	Shock Absorber Set (2)
507619	Shock Membrane (4)
507620	Shock Piston (4)
507621	Shock Shaft (2)
507622	Carbon Fiber Chassis Stiffener
507623	3D Flex Setting Rod
507624	E4RS4 Stickers
K6310-400	K Factory Shock Oil 70ml/2.5oz #400
K6330-1000	K Factory Diff Oil 40ml #1000
K6601-110	Special Precision 64P Spur Gear 110T



**Team Magic Model Industrial co.Ltd.**

No.185-2, 38th Road, Taichung Industrial Park, Taichung Taichung, Taiwan 407

E-mail:service@teammagic.com.tw

Facebook:TeamMagic Model

Tel:886-4-23552606

Fax:886-4-23552946

MADE IN TAIWAN



88398