

Parts List

PARTS	
Item No.	Item Description
111007F	3mm Flat Locknut (10)
111007ST	3mm Steel Locknut (10)
111120	R6 R-clip (10)
111160	4mm Special Wheel Lock Nut (4)
115029	4x12mm Ball Stud(6)
115030	5X4mm Ball Stud(10)
116132BK	3x20mm Adjustable Rod (2)-BK
116133BK	3x30mm Adjustable Rod (2)-BK
116204	7x13x0.1mm (3), 7x13x0.3mm (2) & 7x13x0.5mm Shim
116219	3x6x2mm Alum. Washer (6)
116227	E-clip 2.0 (10)
116240	2x9.8mm Pin (10)
126208C	2x8mm Steel Cap Screw (6)
126212BU	2X12mm BH Screw(10)
126303S	3x3mm Set Screw (6)
126306	3x6mm Steel FH Screw (6)
126306BU	3x6mm Steel Button Head Screw (6)
126306S	3x6mm Set Screw (6)
126308	3x8mm Steel F.H. Screw (6)
126308BU	3x8mm Steel Button Head Screw (6)
126310BU	3x10mm Button Head Screw (6)
126312BU	3x12mm Button Head Screw (6)
126318C	3x18mm Cap Screw (6)
126320BU	3x20mm Steel Button Head Screw (6)
130114	3X6X1mm Washer(10)
130116	3.2x8x0.7 Washer (10)
130121	6.2x12x0.15mm Washer (10)
150508	5x8x2.5mm Bearing (2)
150814	8x14x4mm Bearing (2)
151015	10x15x4mm Bearing (4)
151218	12x18x4mm Bearing (4)
152003	O-RING P6(10)
191001	THOR 540 Motor
191002	THOR 540 100A ESC for Brush Motor
503117	E4 5x4mm Ball Stud (6)
503121	E4 Short Ball Cup (6)
503130	E4 Front Lower Outer Hinge Pin (2)
503138	E4 5x7mm Ball Stud (6)
503139	E4 Caster Block Ball Cup (4)
503140	E4 Long Ball Cup (6)
503145	E4 Bumper Post Set
503152	E4 Rear Hub Carrier (2)
503155	E4 Ball Diff Pulley 35T
503163	E4 Spur Gear 110T
503180	E4 Shock Spring Mount & Ball Cup (4)
503183	E4 Shock Spring (2)
503191	E4 New Shock Bladder (4)
503196	E4 Lightweight Front Bulkhead Upper Mount
503197	E4 Lightweight Nylon 17T Side Pulley (2)
503205	E4 Rear Lightweight Ball Diff Outdrive Set
503206	E4 Hinge Pin Ball(POM)(4)
503210	E4 Single Bell Crank Steering System
503213	E4 New Caster Block Ball Stud (4)
503218	E4 Lightweight Rear Front Hinge Pin Mount
503222	E4 Nylon 18T Center Pulley (2)
503224	E4 Lightweight Rear Bulkhead Upper Mount
503250	E4J Shock Set (2)
503250-1	E4J Shock Cap Set (2)
503250-2	E4J Shock Shaft & Piston Set (2)

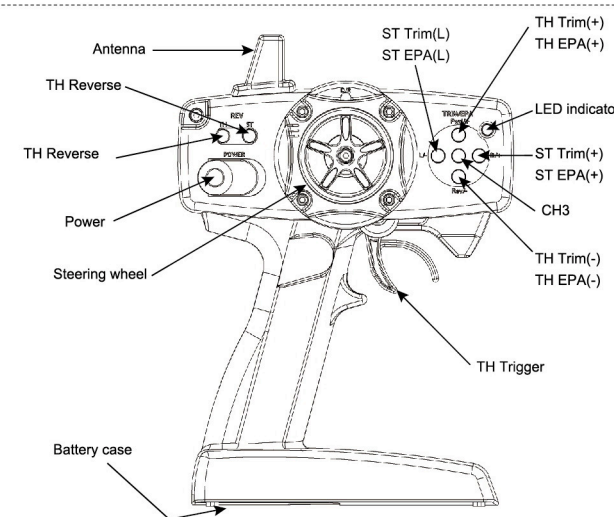
Item No.	Item Description
503250-3	E4J Shock Body Set (2)
503250-4	E4J Shock Body Hardware Set (2)
503252	3.1x6.5x3mm Nylon Washer (6)
503253	E4J Front Nylon Bulkhead Set
503259	E4J Front Lower Inner Hinge Pin (2)
503260	E4J Lower Nylon Hinge Pin Mount 1.5 Degree
503265	E4J Rear Lower Outer Hinge Pin (2)
503268	E4J Rear Nylon Bulkhead Set
503269	E4J Rear Lower Inner Hinge Pin (2)
503271	E4J Lower Nylon Hinge Pin Mount 2.5 Degree
503273-1	E4J Spur Gear Holder Pin
503275	E4J Servo Mount
503279	E4J Rear Hub Carrier Nylon Wahser (4)
503301	E4D Drift Car Nylon Accessories
503301-1	E4 D Rear Body Post (65mm)(2pcs)
503303	E4D Alum. Front/Rear CVA Shaft (2)
503305	E4 33T Pinion Gear
503306	E4 Drift Bumper Set (F/R)
503307	E4 Drift Car 6mm Front Body Post(2)
503311	E4D Rear Lower Arm Set
503312	E4D Foam Bumper
503313	Servo Arm (Futaba) (2)
503336	E4 NEW Lightweight Caster Block Set (6 degree)
503338	E4 NEW CVD for Large Steering Angle (2)
503340	E4D MF Battery Cover Post (4)
503341	E4D MF Battery Cover (2)
503342	E4D MF Motor Mount Support(2)
503343	E4D MF Motor Mount
503344	E4D MF Middle Shaft
503345	E4D MF Steering Linkage (3x92mm) (2)
503346	E4D MF Steering Block(2)
503350	E4D MF Linkage Plate Set
503351	E4D MF Steering Arm Set
503352	E4D MF Steering System Screw (2)
503353	E4D MF Spur Gear Holder
503356	E4D MF Pulley -28T
503357	E4D MF Middle Shaft Brace Set
503358	E4D MF Upper Shaft
503360	E4D MF Belt(Long)
503361	E4D MF Belt(Short)
503372	E4D MF Middle Belt-102mm
503373	E4D MF Upper Plate Support
503379	E4D MF Bearing Blocks
503386	E4D MF Alum. Bumper Rod
503390BK	E4D Mounted Drift Tire 45 Degree (5 Spoke, Black)(4 pcs)
503401GD	E4D MF Front Composite Upper Bumper-Gold
503402GD	E4D MF Front Composite Shock Tower-Gold
503403GD	E4D MF Composite Upper Plate-Gold
503404GD	E4D MF Rear Composite Shock Tower-Gold
503405GD	E4D MF Composite Chassis- Gold
503406	E4D MF Belt Tensioner Set
503407	E4D MF Front Oneway Set (35T Pulley)
503407-1	E4D MF Oneway Outdrives (2)
503407-2	E4D MF Oneway Pulley 35T
503407-3	E4D MF Oneway Shaft
503407-4	E4D MF Oneway Shim (2)



503019

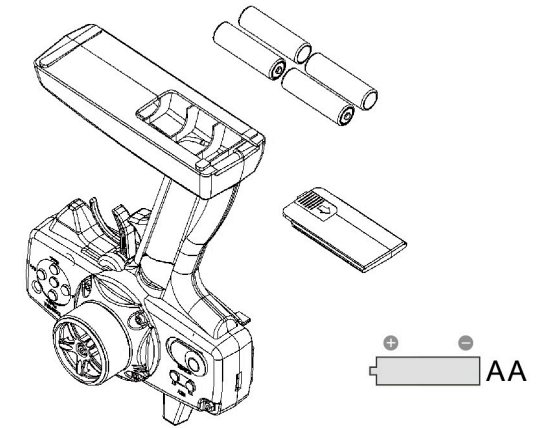
▶ Instruction & Setup Manual

1 Transmitter Function

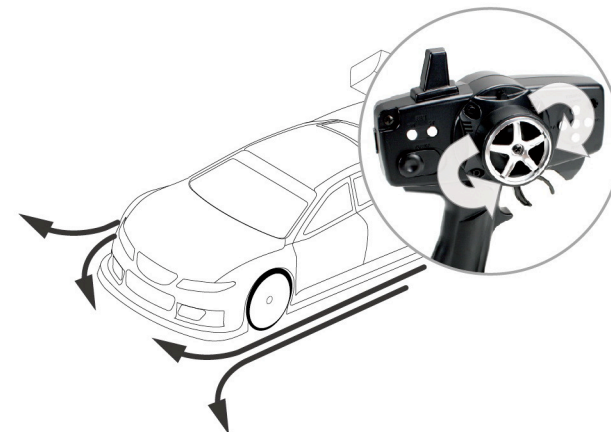


2 Operating Procedure

01 Install 4pcs AA batteries to the H.A.R.D transmitter.



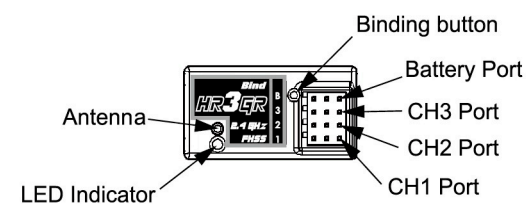
02 Turn the steering wheel right to turn the front tires go right.
Turn the steering wheel left to turn the front tires go left.



03 Press the throttle trigger to moving forward the vehicle
Push forward the throttle trigger to brake and reverse the vehicle.



3 Binding (connecting the receiver to transmitter)



Binding the Receiver to the Transmitter

"Binding" is tuning the receiver to the frequencies used by the transmitter. Bind the receiver to the transmitter as follows:

1. With both transmitter and receiver turned off, place the units no more than 30 cm (1 ft) apart.
2. While holding down the receiver's BIND button, apply power to the receiver. Its LED will start to flash steadily, indicating that the unit is in binding mode, a state that lasts up to 30 seconds.
3. Turn the transmitter on. It will immediately go into binding mode, a state that lasts one second.
4. When the receiver's LED shines steadily, binding is complete.

