



---

# Owner's Manual





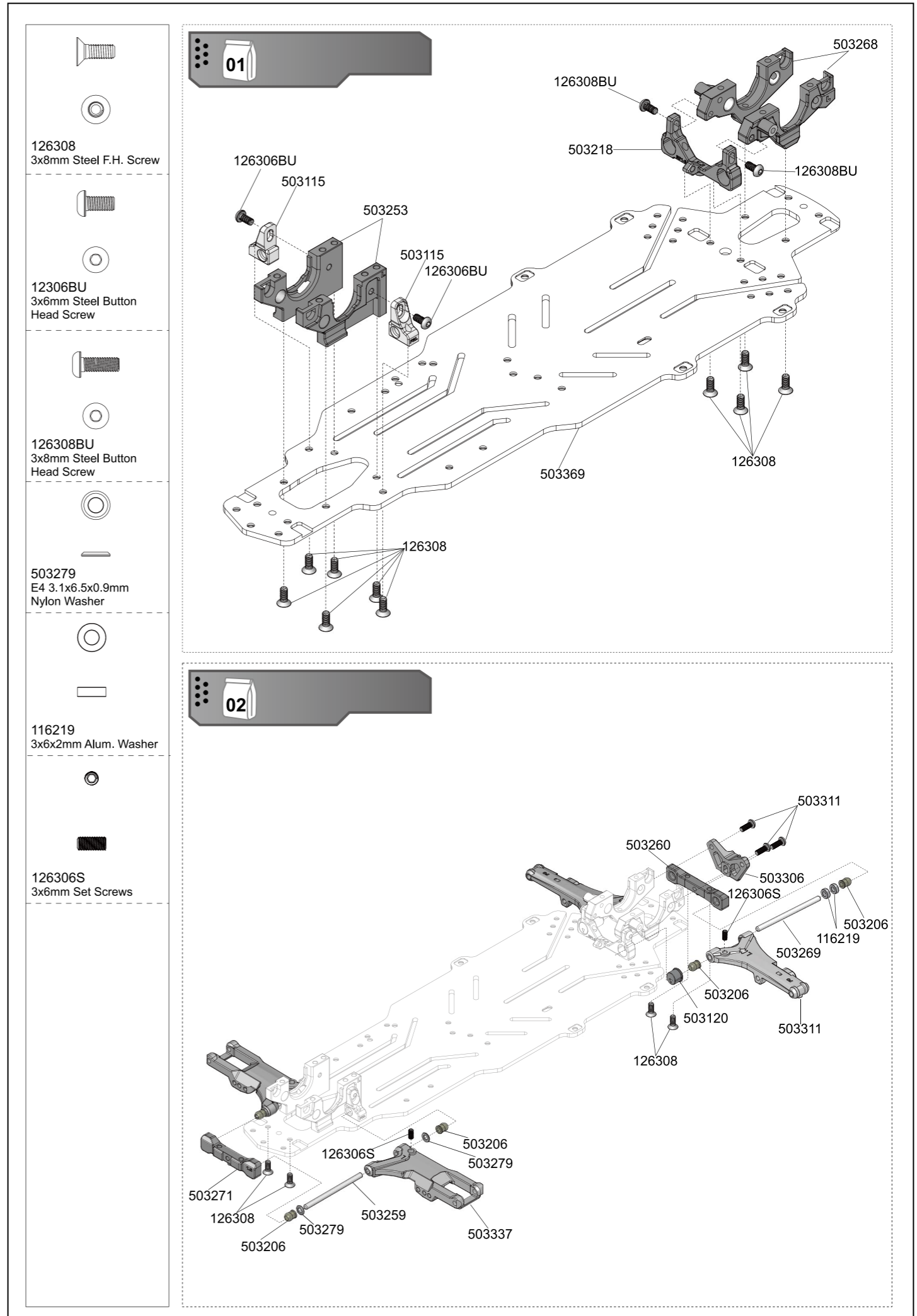
Thank you for choosing the Team Magic E4DMF. Before you start building the E4DMF, we suggest you read through the instruction manual first. Be sure to check all assembly and performance tips before you start. We hope you enjoy the fine building processes.

### General Building Tips:

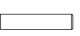
- ▶ Read the instruction manual before building.
- ▶ Clear a work area and try to work on a light color towel to avoid missing dropped parts.
- ▶ Don't forge the thread lock. Be certain to use thread-lock on all the machine screws that thread into metal. Put it on the screws that are secured with locknuts and the setscrews that secure the linkage stops, too. Don't skimp on the thread-lock or you'll be searching in the dirt for screws that vibrated loose.
- ▶ Don't over-tighten fasteners. Many assembly problems are caused by over-tightening screws or nuts. Don't use too large a grip. Please go slowly and feel the resistance build. Just snug it up.
- ▶ As you put more time and runs on the car, the suspension arms, and basically anything else that moves, can stretch and wear. Though we have a very rigorous quality control program and make every effort to ensure that the parts have the best possible fit when you get them. Unfortunately there is very little, or nothing we can do to prevent these parts from wearing out. When the arms begin to wear you will notice that some slop develops between the carrier or hub and the arms. This slop can be taken out by shimming the arm, hub or carrier. If you take a look at any of the factory driver's cars you will definitely find that they use shims to take up some of the slop that occurs over a period of time. The shims can also be used on the inside of the suspension arms in the same manner. When shimming the parts, care must be taken not to add too many shims. The parts must still move freely without binding.
- ▶ When it doesn't fit, please double check. If an assembly is not going together correctly, then either there really is a bad fit (e.g. a part is damaged or defective) or a mistake in assembly. Always re-read the instructions when there are any problems. If you cannot figure out what's wrong, always ask dealer, distributor or Team Magic. Don't use force beyond what the instructions call for.
- ▶ Using the right tools makes assembly much easier. The instructions below finely indicate you what tools to get to make things easier. We don't want to scare you by saying that all these tools are required, but you will have an easier time if you have them. Borrow them from a friend to check if necessary.
- ▶ The assembly is arranged so that you will open the bag and finish that bag before you go on to the next bag. Sometimes, you will have parts remaining at the end of a bag. These will become part of the following bags.

### A Good Dealer Is Extremely Important!!


A good hobby dealer can help you with most assembly problems you might encounter. This is the main reason why you should buy your kits from a good dealer rather than from the cheapest dealer. Bring your problematic parts to the dealer and, most likely, you'll walk away soon thereafter with the problem solved. If you think that you really don't have the mechanical skills to complete the assembly, you may pay your dealer to finish the job for you. We can recommend good dealers to you if you need. Please send us mails for more information. Email: [service@teammagic.com.tw](mailto:service@teammagic.com.tw)

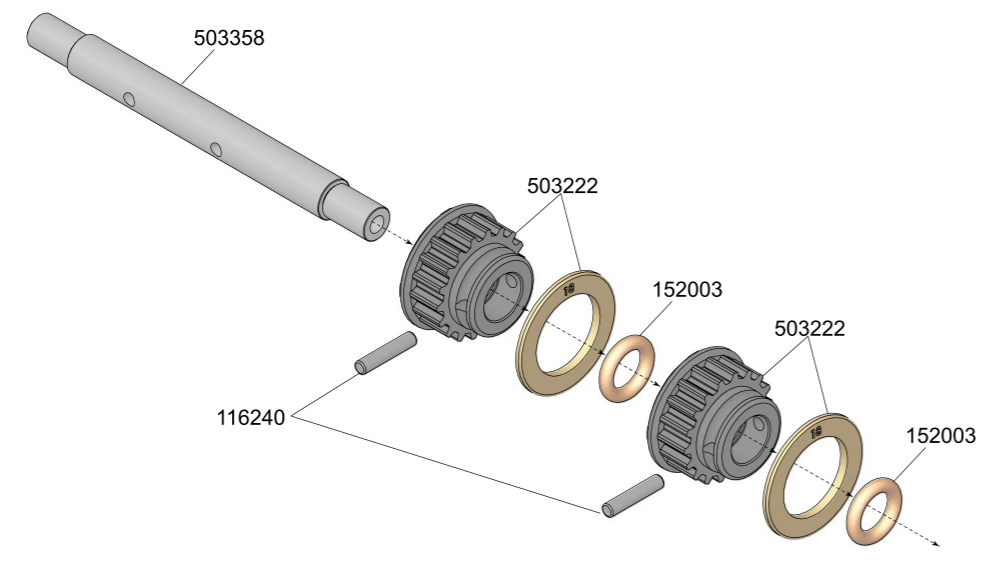


**03**

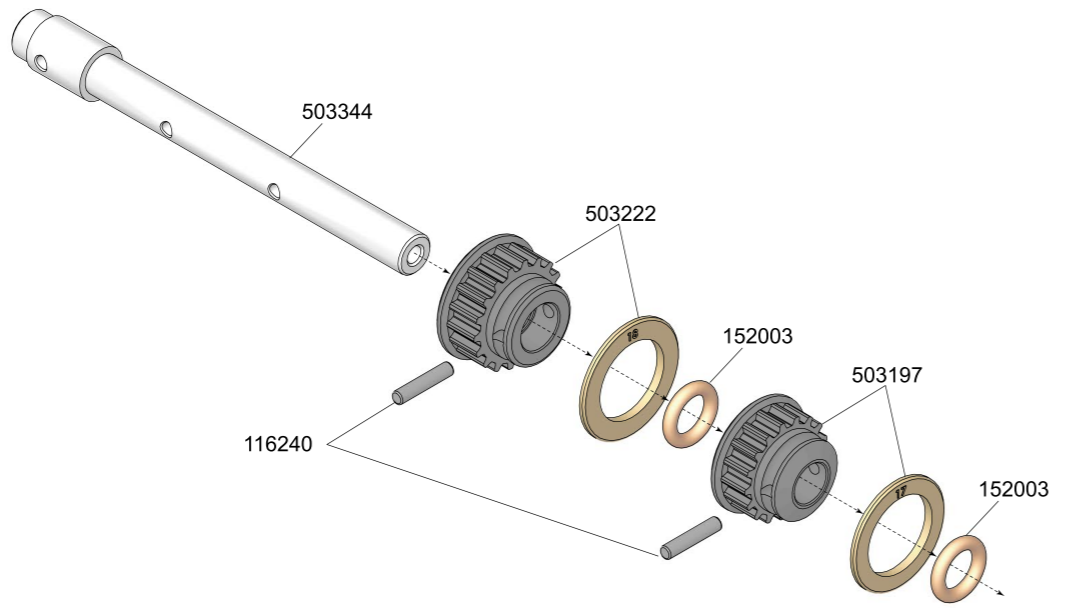
-  116240  
2x9.8mm Pin

---

-  152003  
O-RING P6



**04**



**05**

-  150508  
5x8x2.5mm Bearing

---

-  126306BU  
3x6mm  
Steel Button Head Screw

---

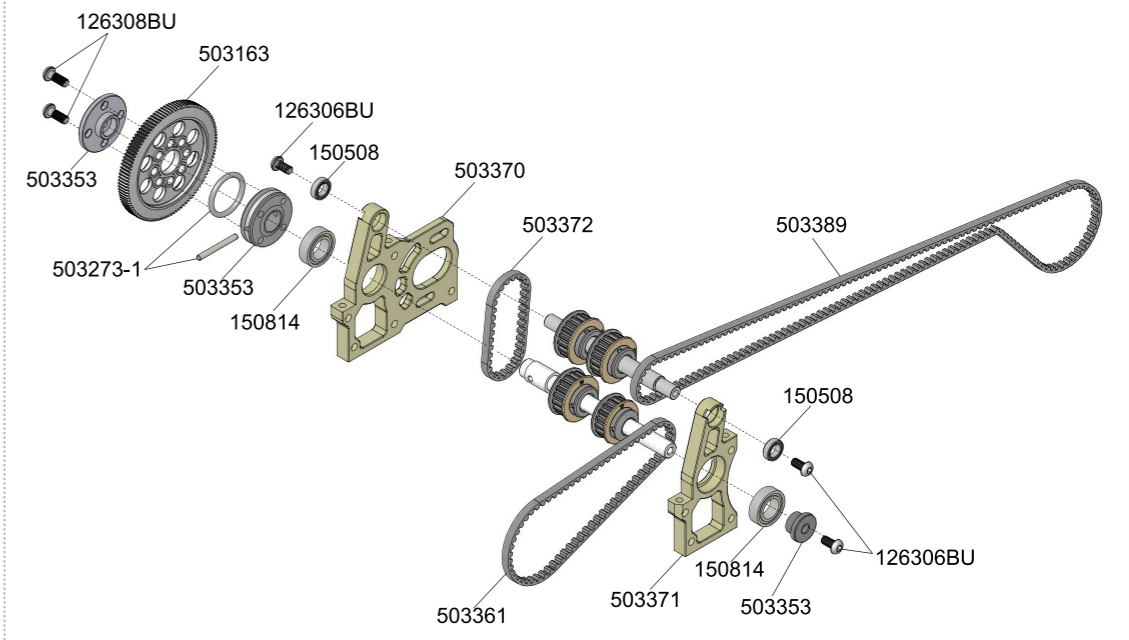
-  126308BU  
3x8mm  
Steel Button Head Screw

---

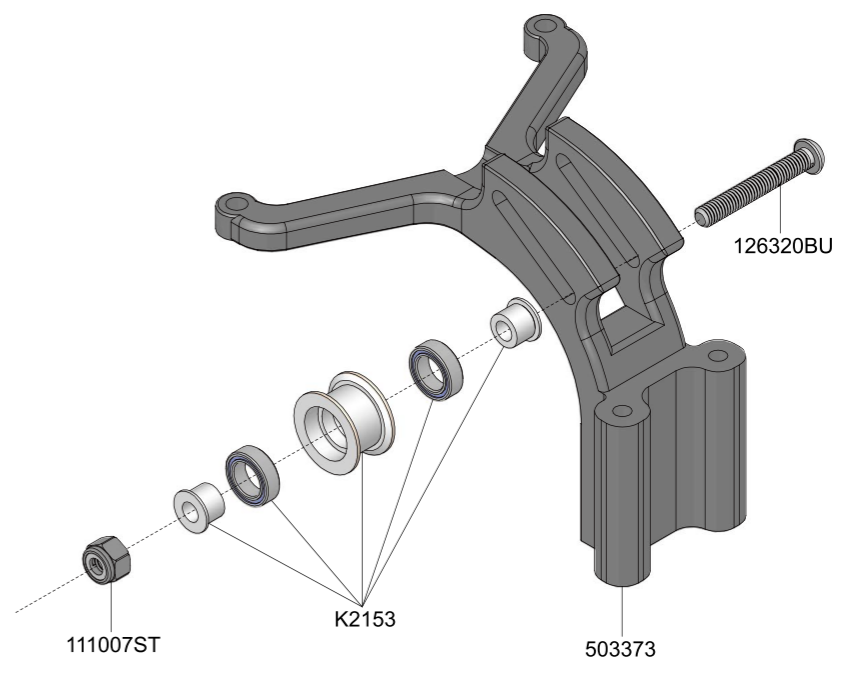
-  150814  
8x14x4mm Bearing

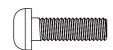
---

-  126320BU  
3X20mm  
Button Head Screw



**06**





126310BU  
3x10mm  
Button Head Screw



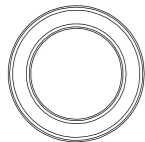
126306  
3x6mm Steel FH Screw



122505BU  
3x6mm Steel FH Screw



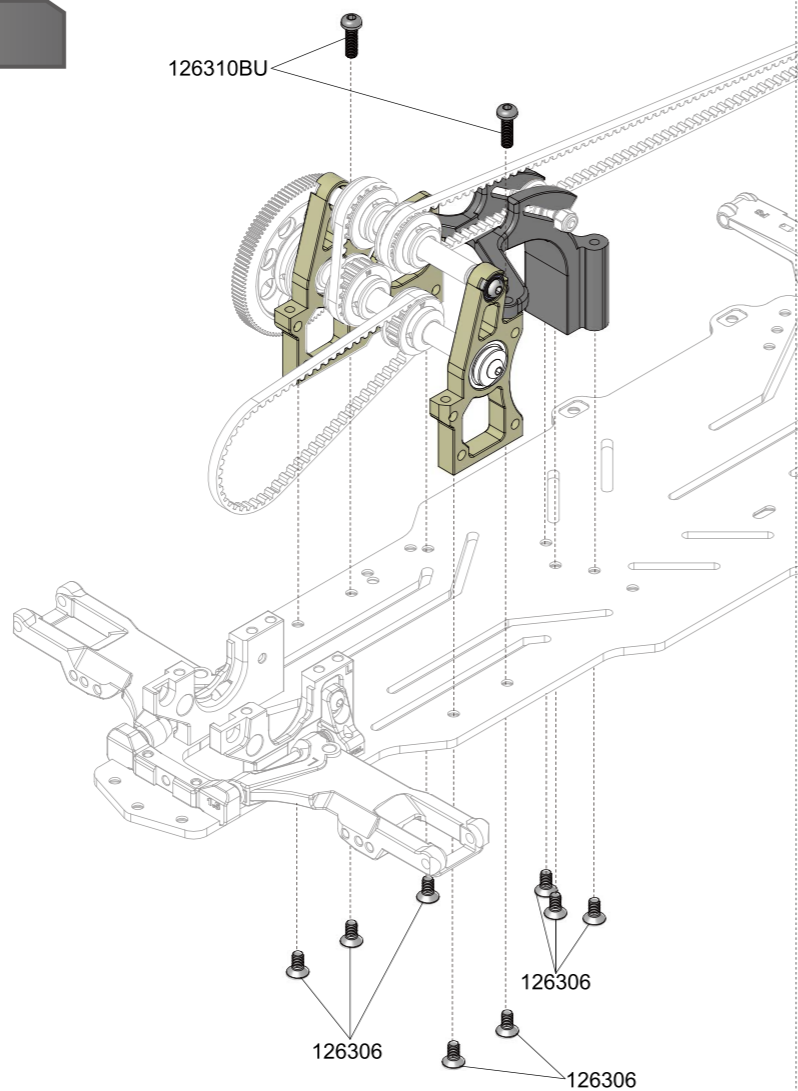
116240  
2x9.8mm Pin



126318HBU  
3X18mm  
Button Head Screw  
(Half Thread)

07

126310BU



08

151218

K2135-1

122505BU

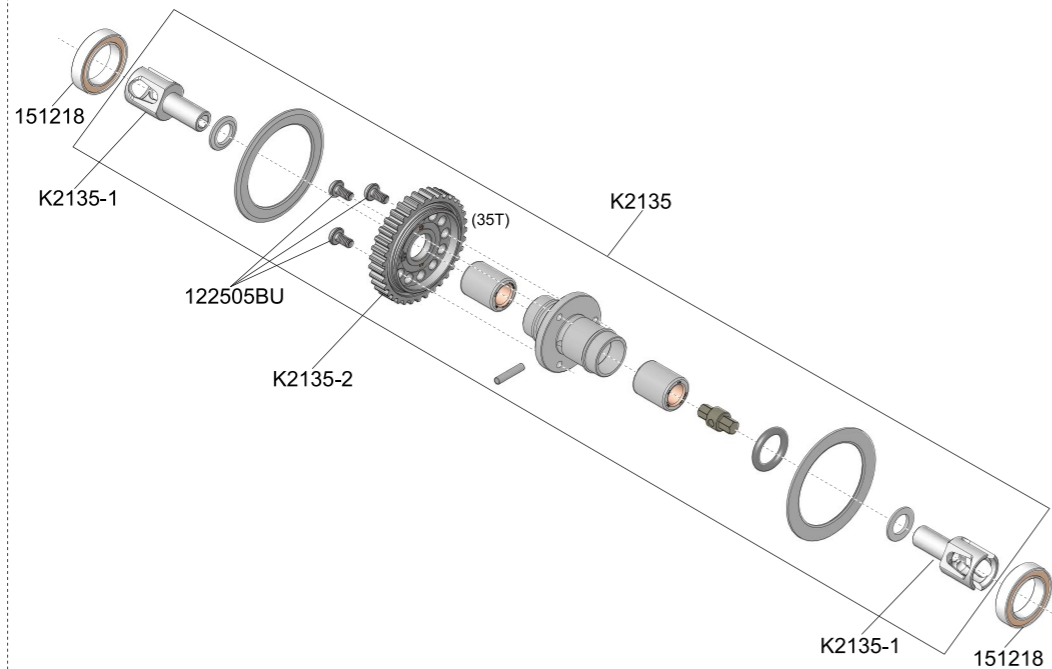
K2135-2

(35T)

K2135

K2135-1

151218



126308  
3x8mm Steel F.H. Screw



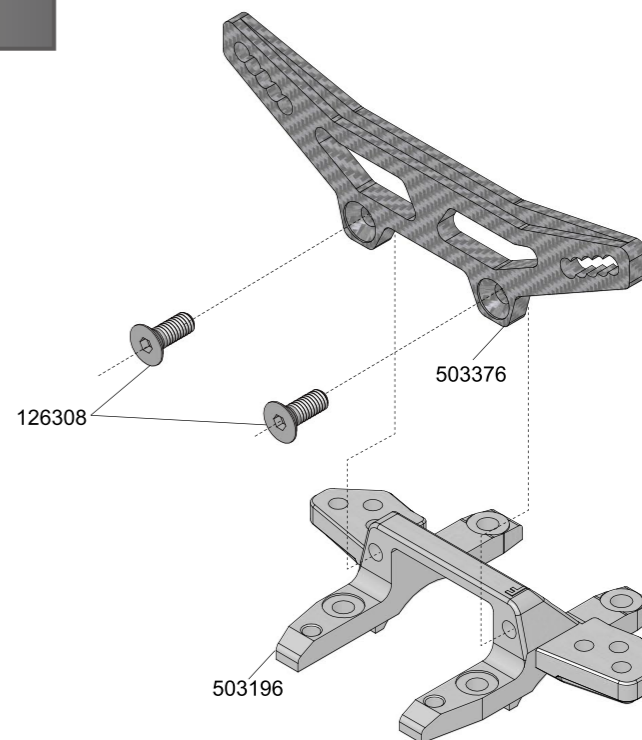
126308BU  
3x8mm Steel Button  
Head Screw



126403S  
4x3mm Set Screws

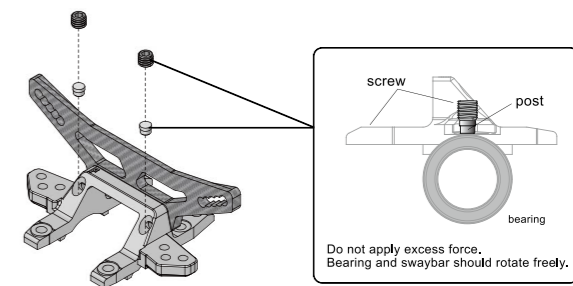
09

FRONT

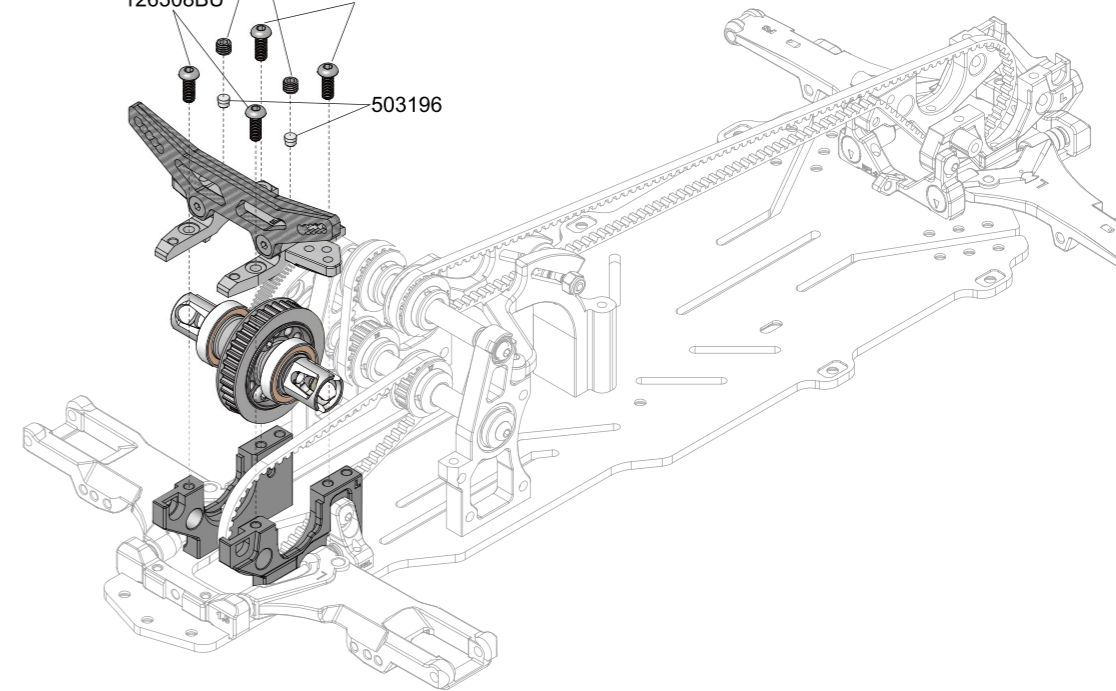


10

FRONT



126403S  
126308BU  
126308BU  
503196





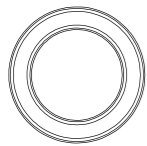
126318C  
3x18mm Cap Screw



130116  
3.2x8x0.7 Washer



126308  
3x8mm Steel F.H. Screw

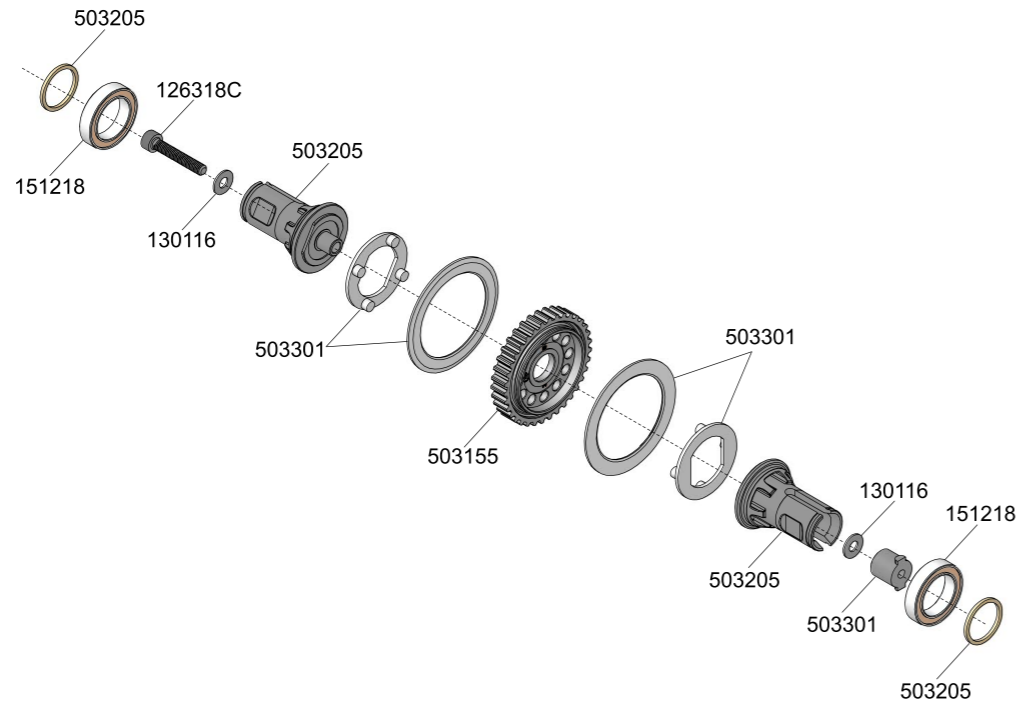


126318HBU  
3X18mm  
Button Head Screw  
(Half Thread)



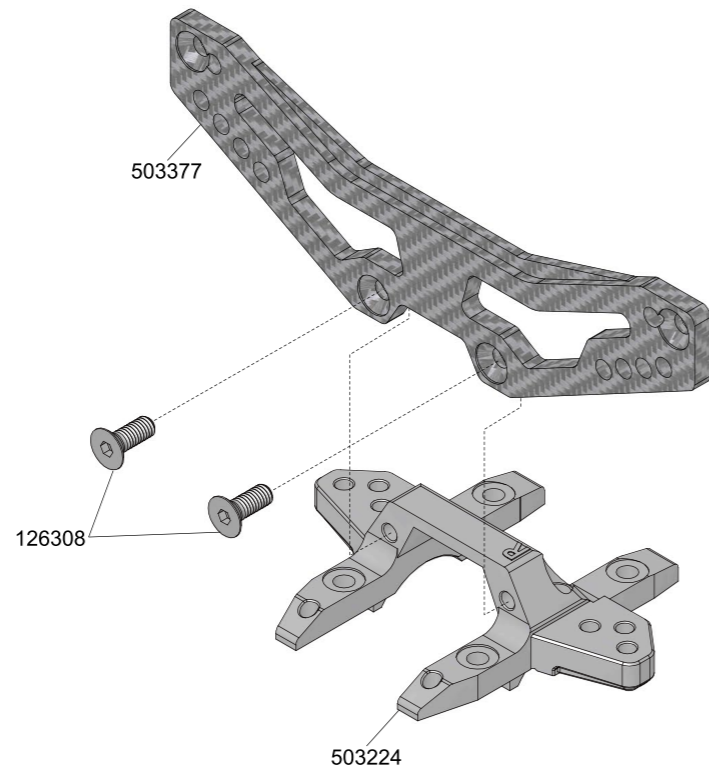
11

REAR



12

REAR



116226  
3.1x4.8x0.5mm Shim



126304BU  
3x4mm BH Screw



126310BU  
3x10mm  
Button Head Screw



126306BU  
3x6mm  
Steel Button Head Screw



126318HBU  
3X18mm  
Button Head Screw  
(Half Thread)



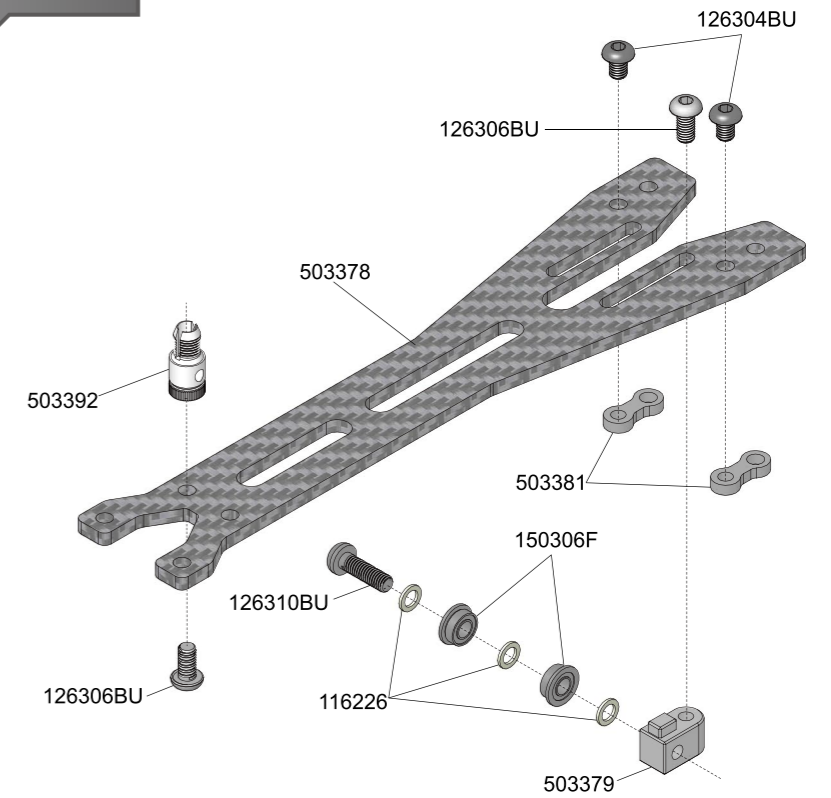
126318HBU  
3X18mm  
Button Head Screw  
(Half Thread)



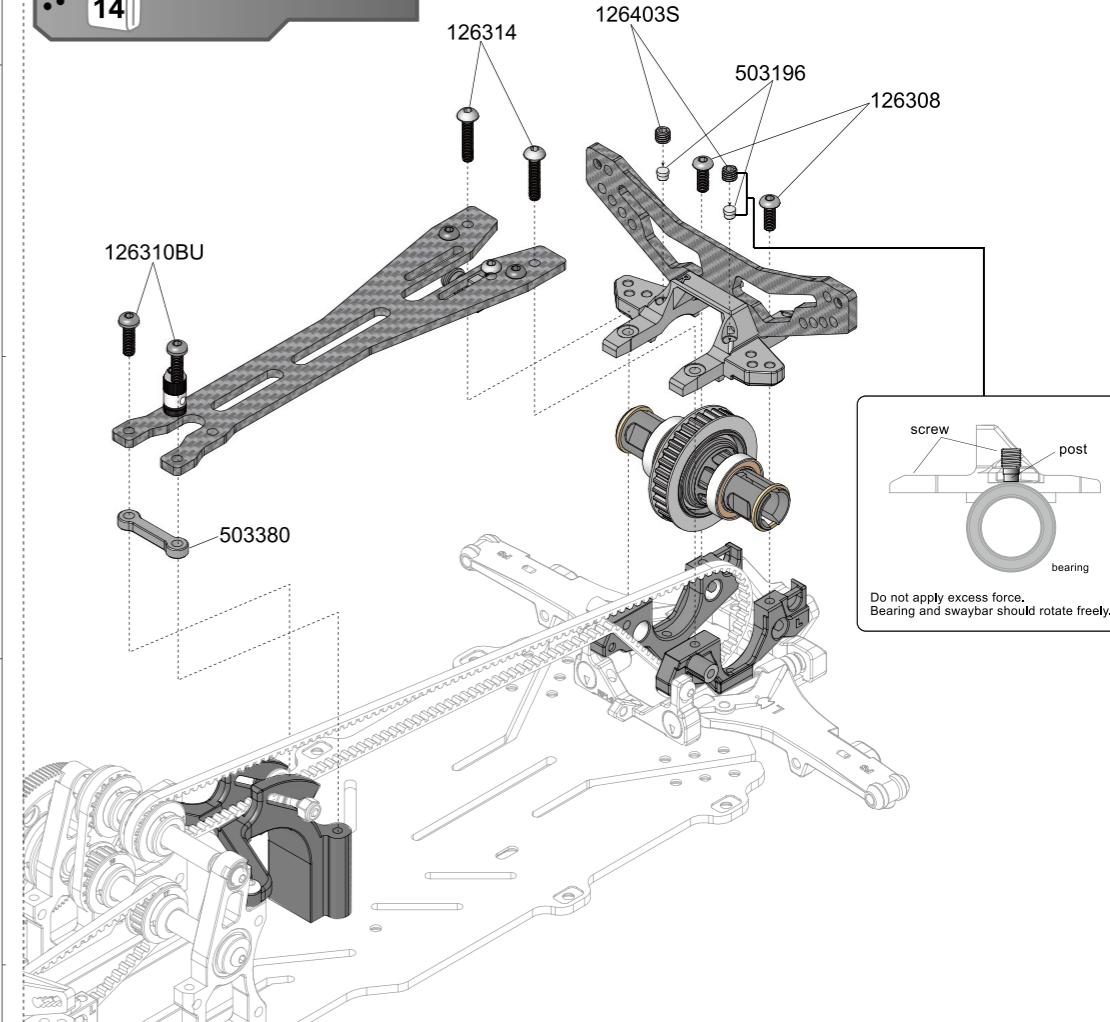
150306F  
3x6x2.5mm  
Flanged Bearing



13



14





126308  
3x8mm Steel F.H. Screw



150508  
5x8x2.5mm Bearing



116209  
3x4.8x0.3mm Shim



126306  
3x6mm Steel FH Screw



126308BU  
3x8mm  
Steel Button Head Screw

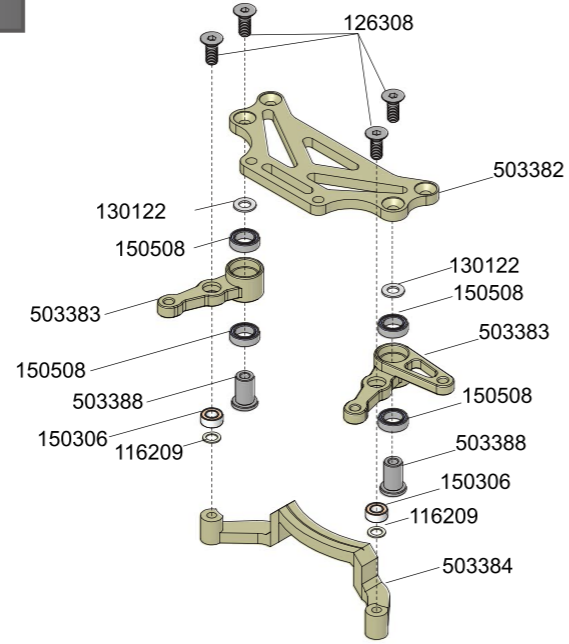


130122  
3x6x0.5mm Washer



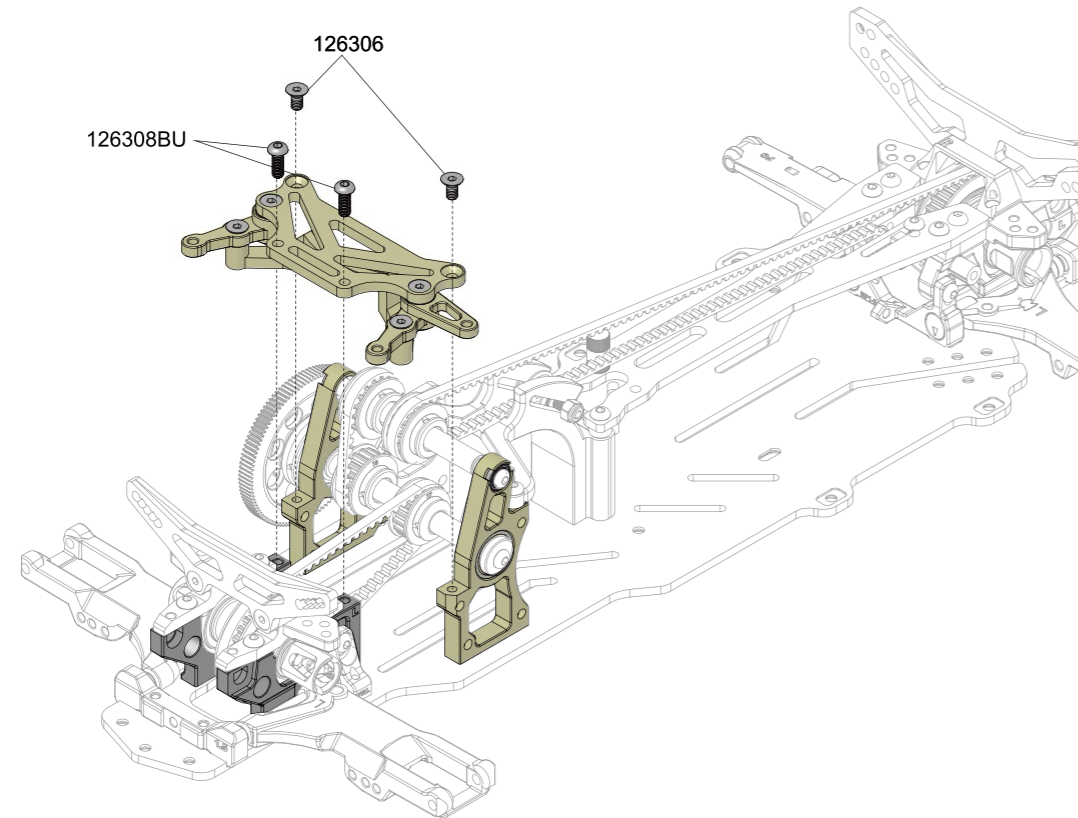
15

FRONT



16

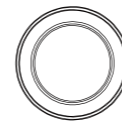
FRONT



116240  
2x9.8mm Pin



130121  
6.2x12x0.15mm Washer



151015  
5x10x4mm Bearing

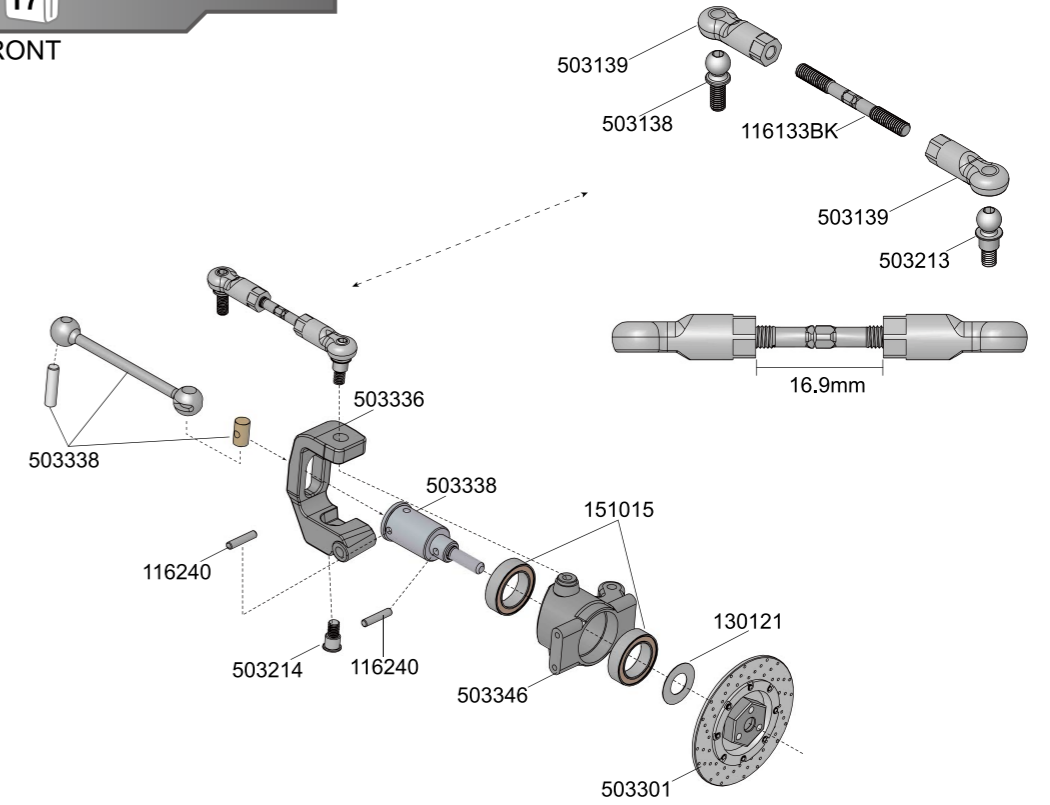


116227  
E-clip 2.0



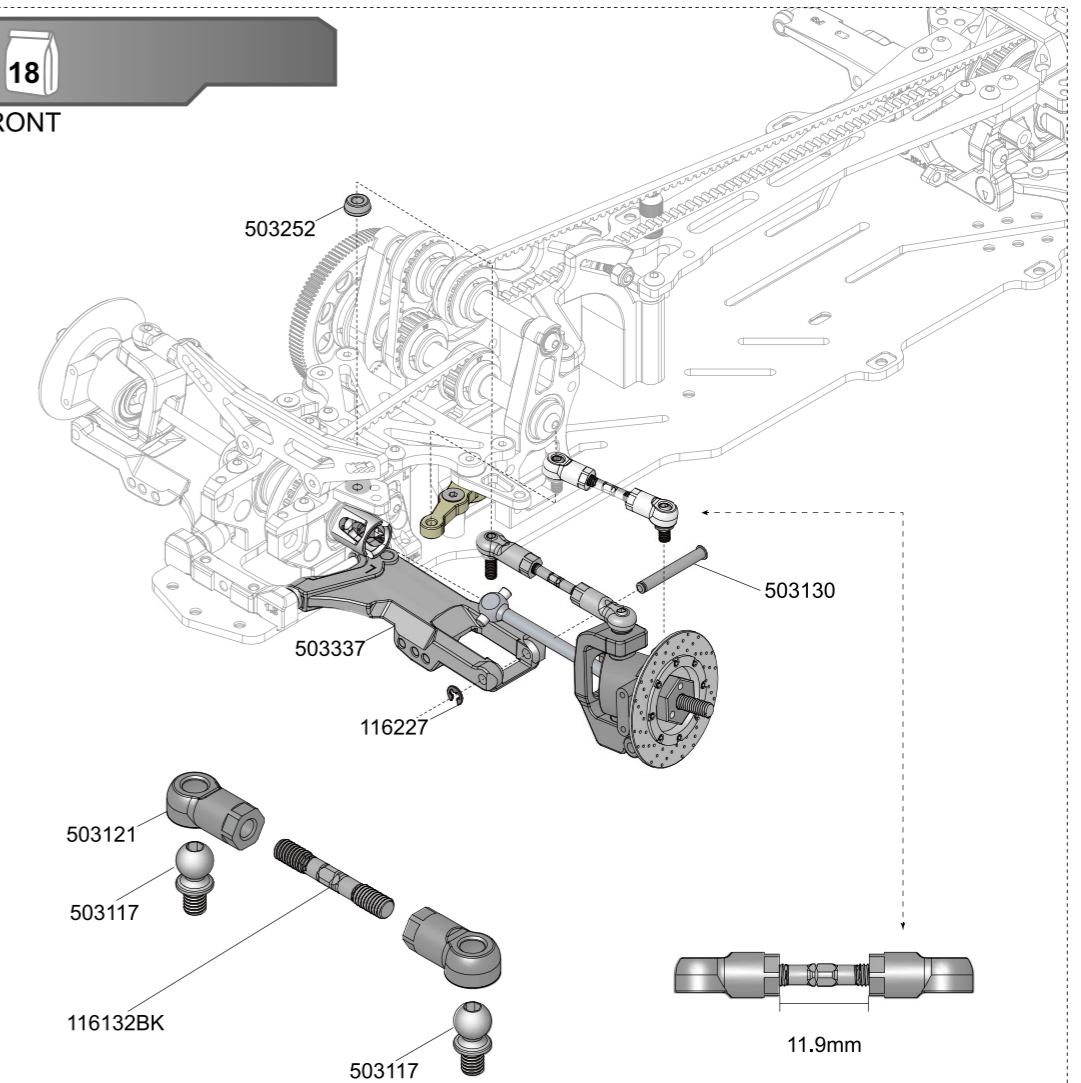
17

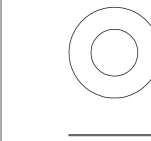
FRONT



18

FRONT

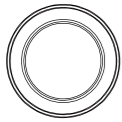




130121  
6.2x12x0.15mm Washer



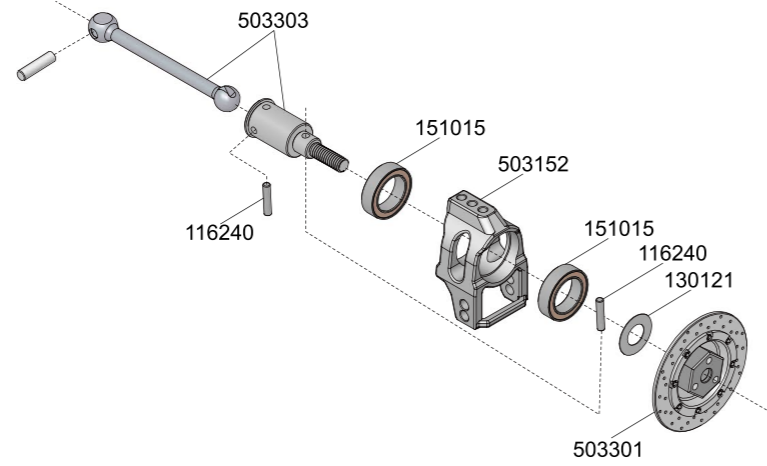
126303S  
E4 MF Alum. Belt  
Tensioner w/bearing



151015  
5x10x4mm Bearing

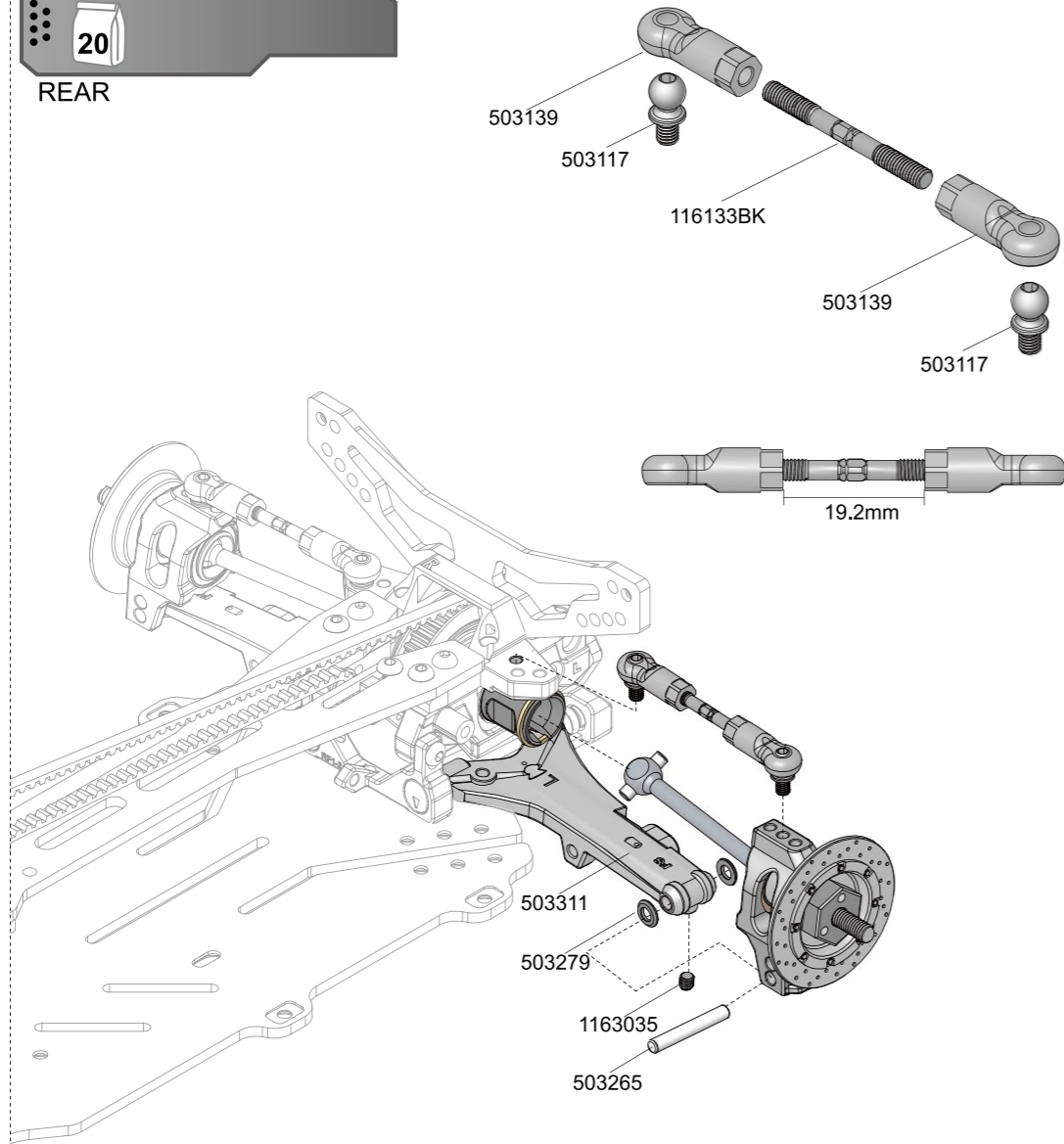
19

REAR



20

REAR

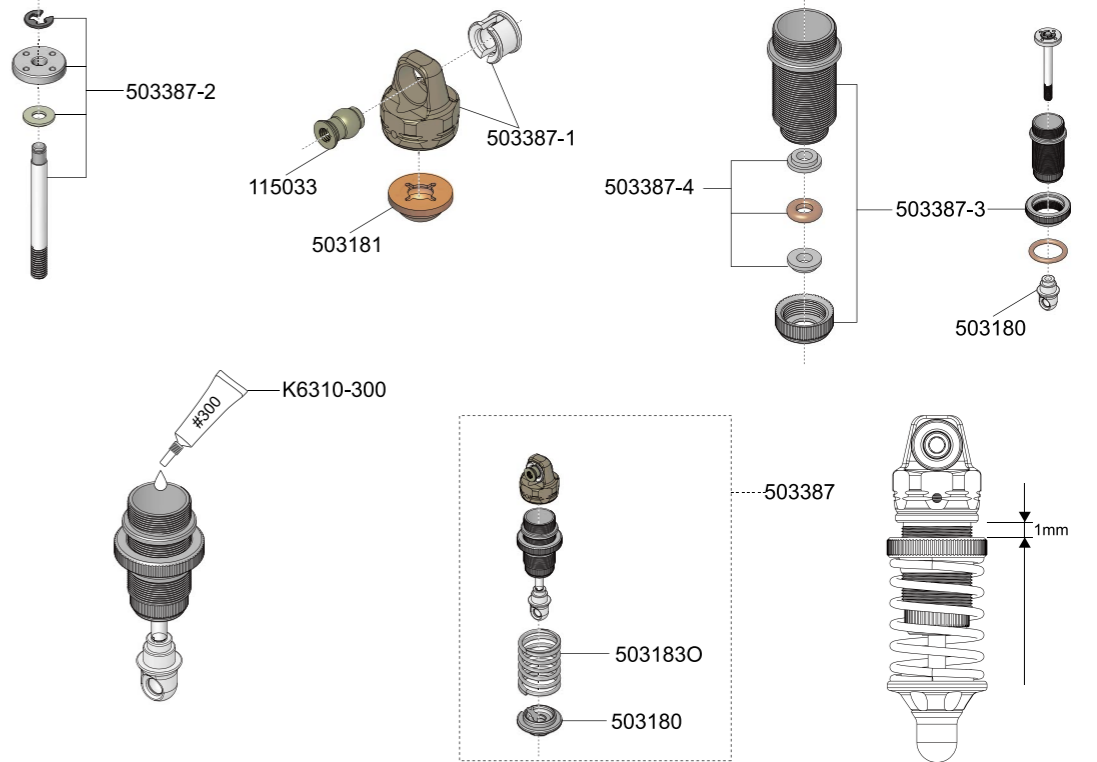


116227  
E-clip 2.0



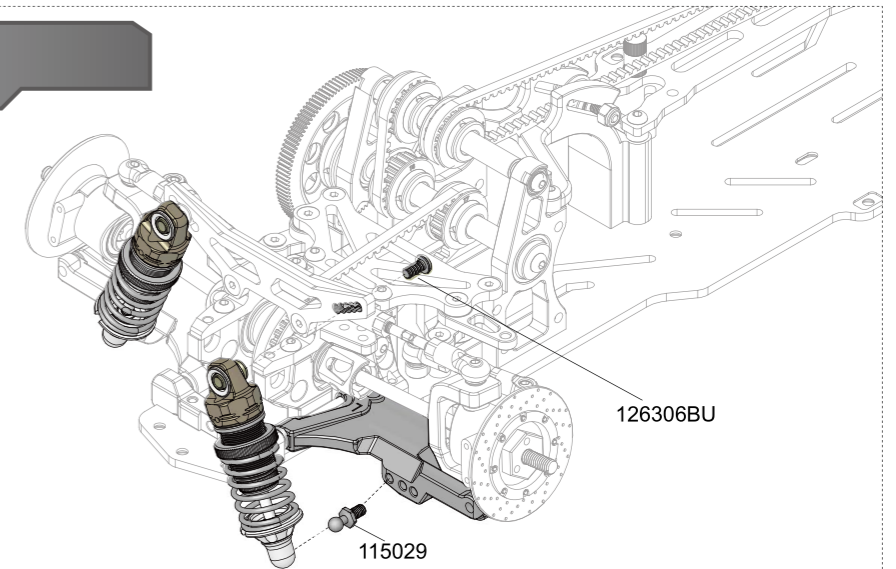
126306BU  
3x6mm  
Steel Button Head Screw

21



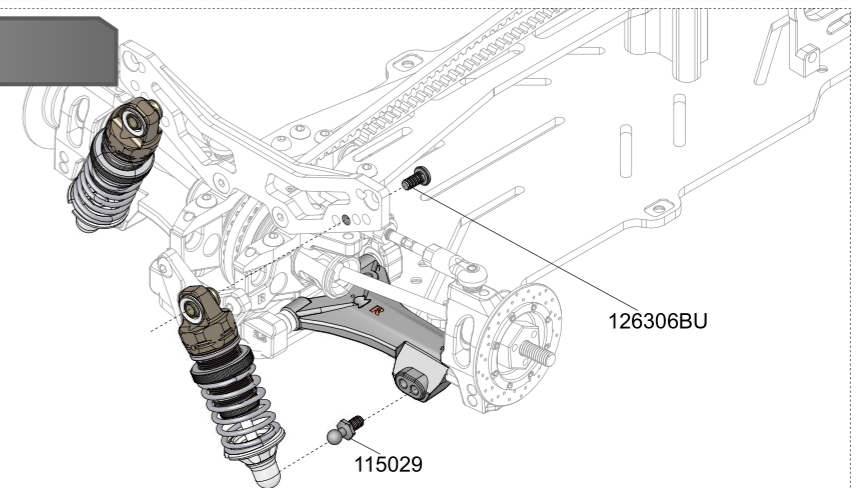
22

FRONT




23


REAR




24

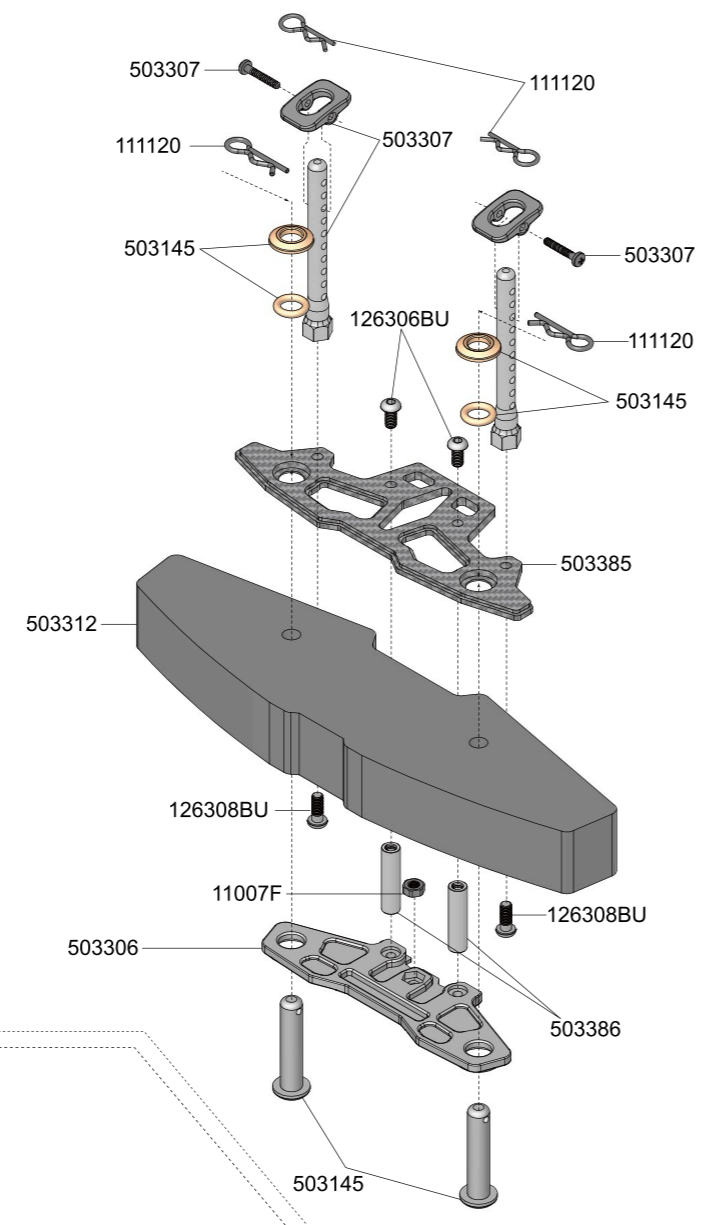
-  126308BU  
3x8mm  
Steel Button Head Screw

---

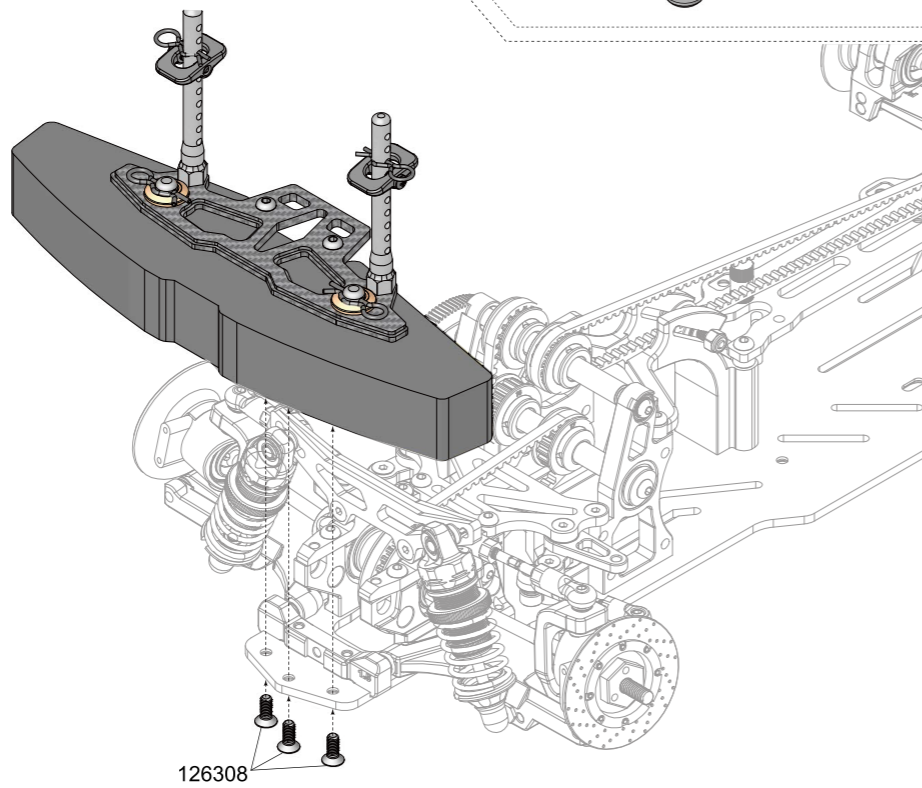
-  126306BU  
3x6mm  
Steel Button Head Screw

---

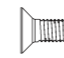
-  126308  
3x8mm Steel F.H. Screw



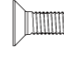
25

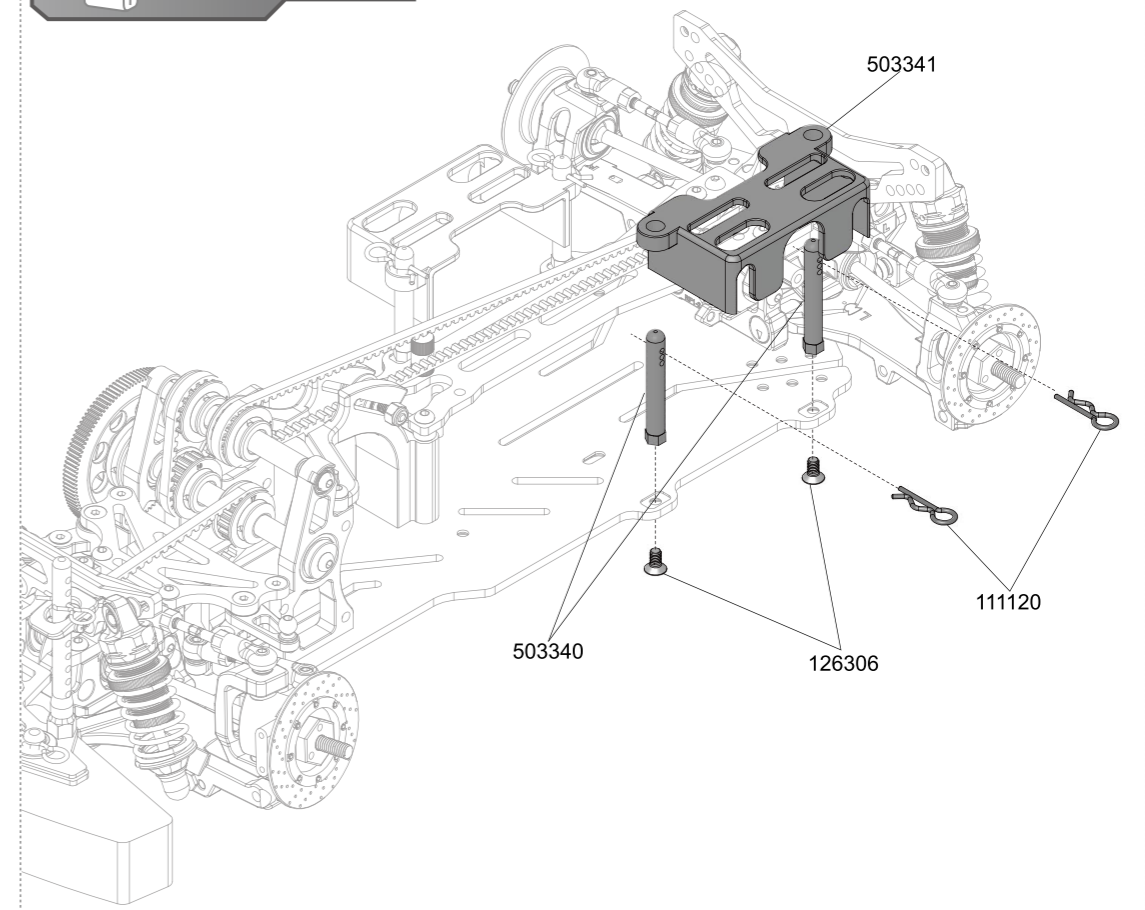


26

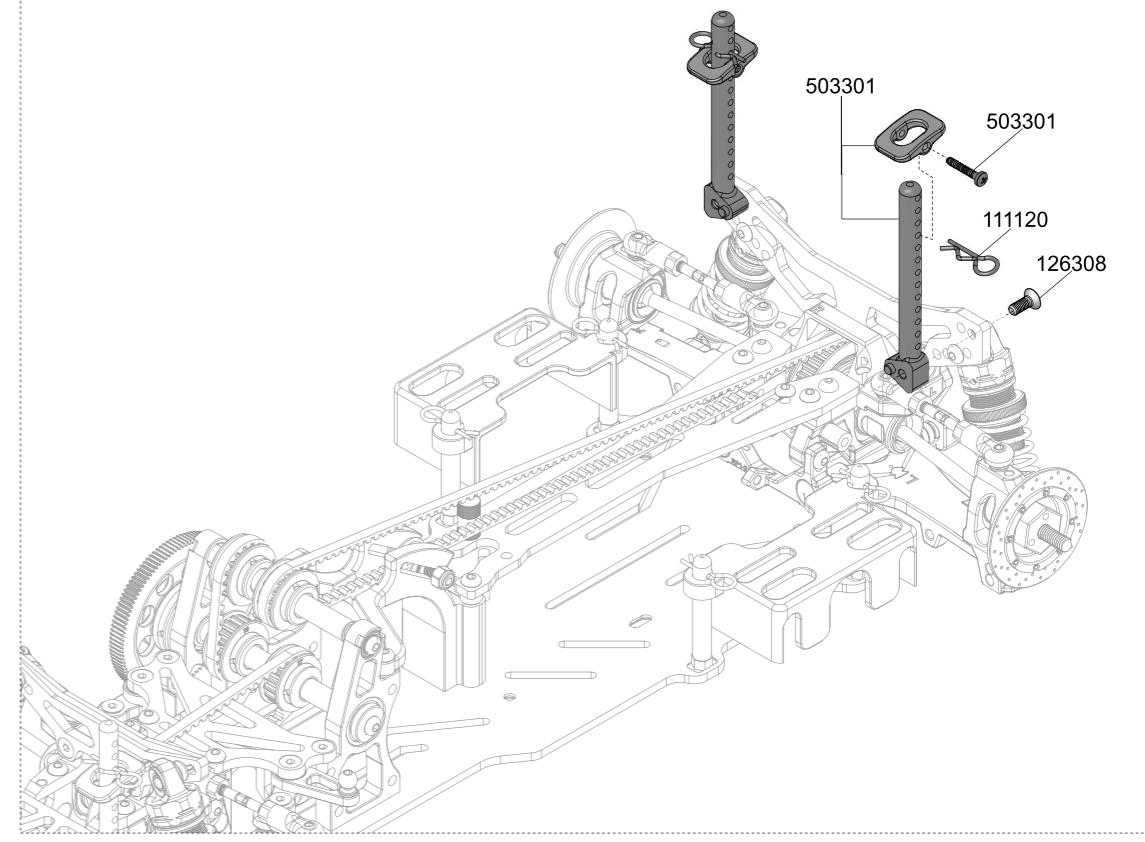
-  126306  
3x6mm Steel FH Screw

---

-  126308  
3x8mm Steel F.H. Screw



27







503154  
E4 3.1x6x0.9mm  
Alum. Washer



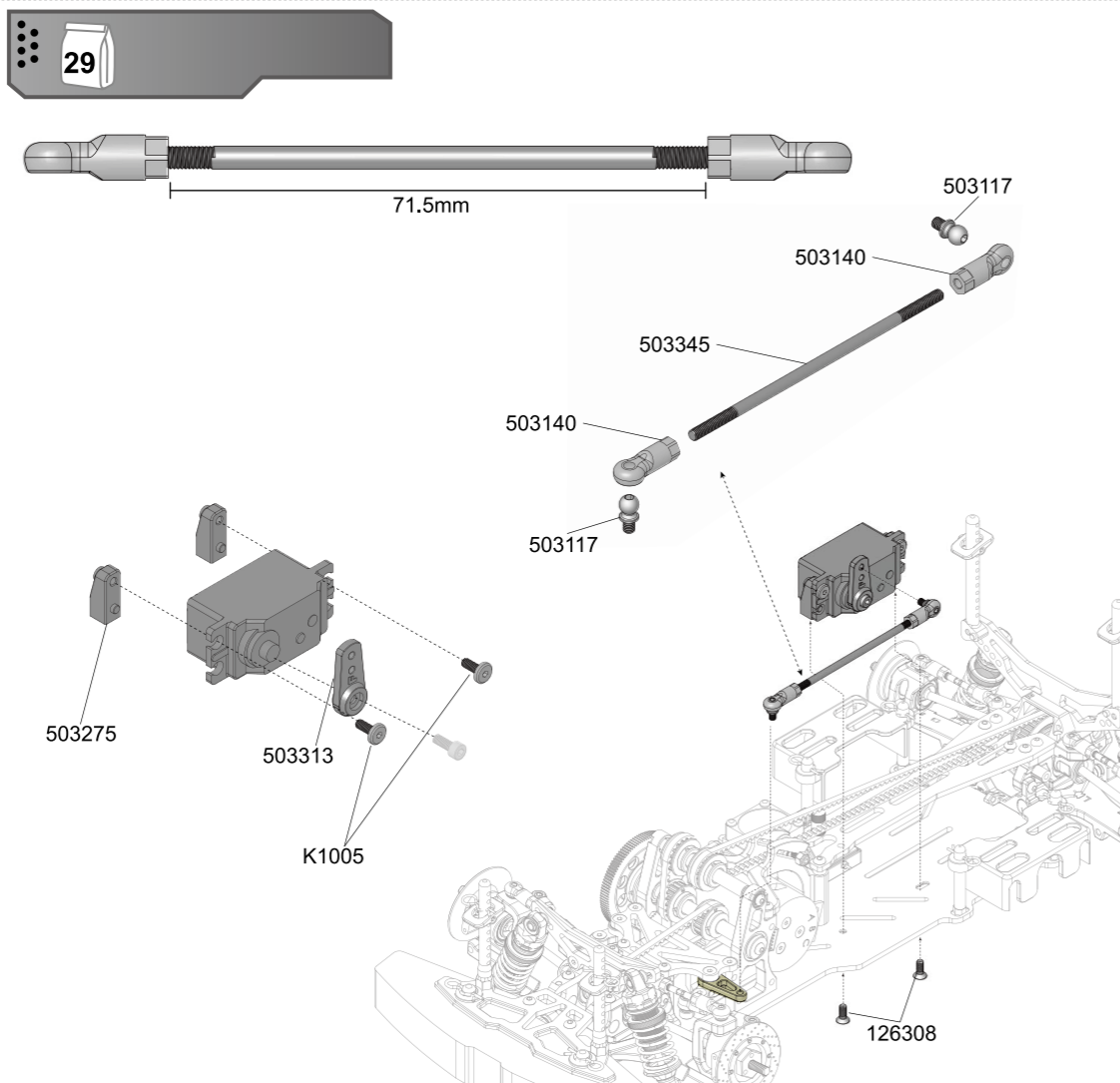
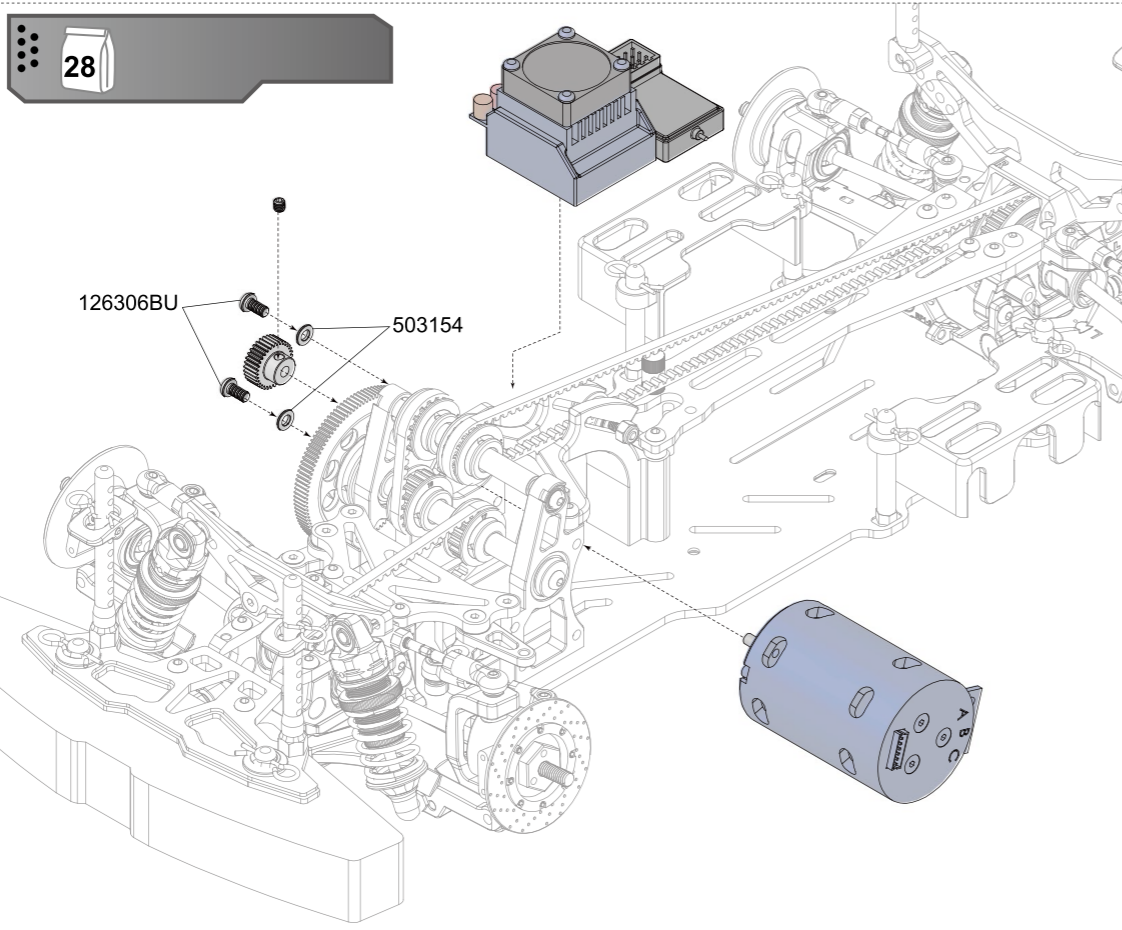
126306BU  
3x6mm  
Steel Button Head Screw



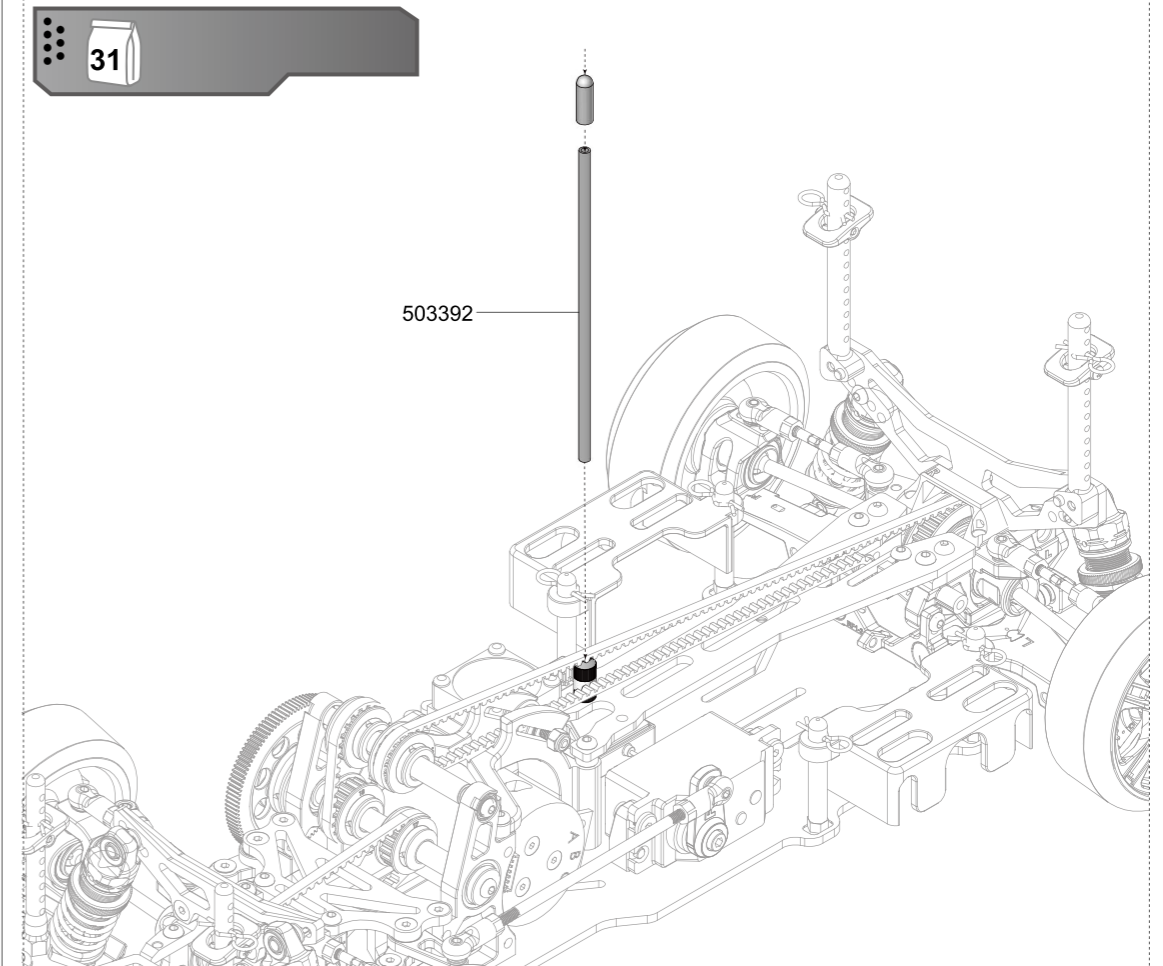
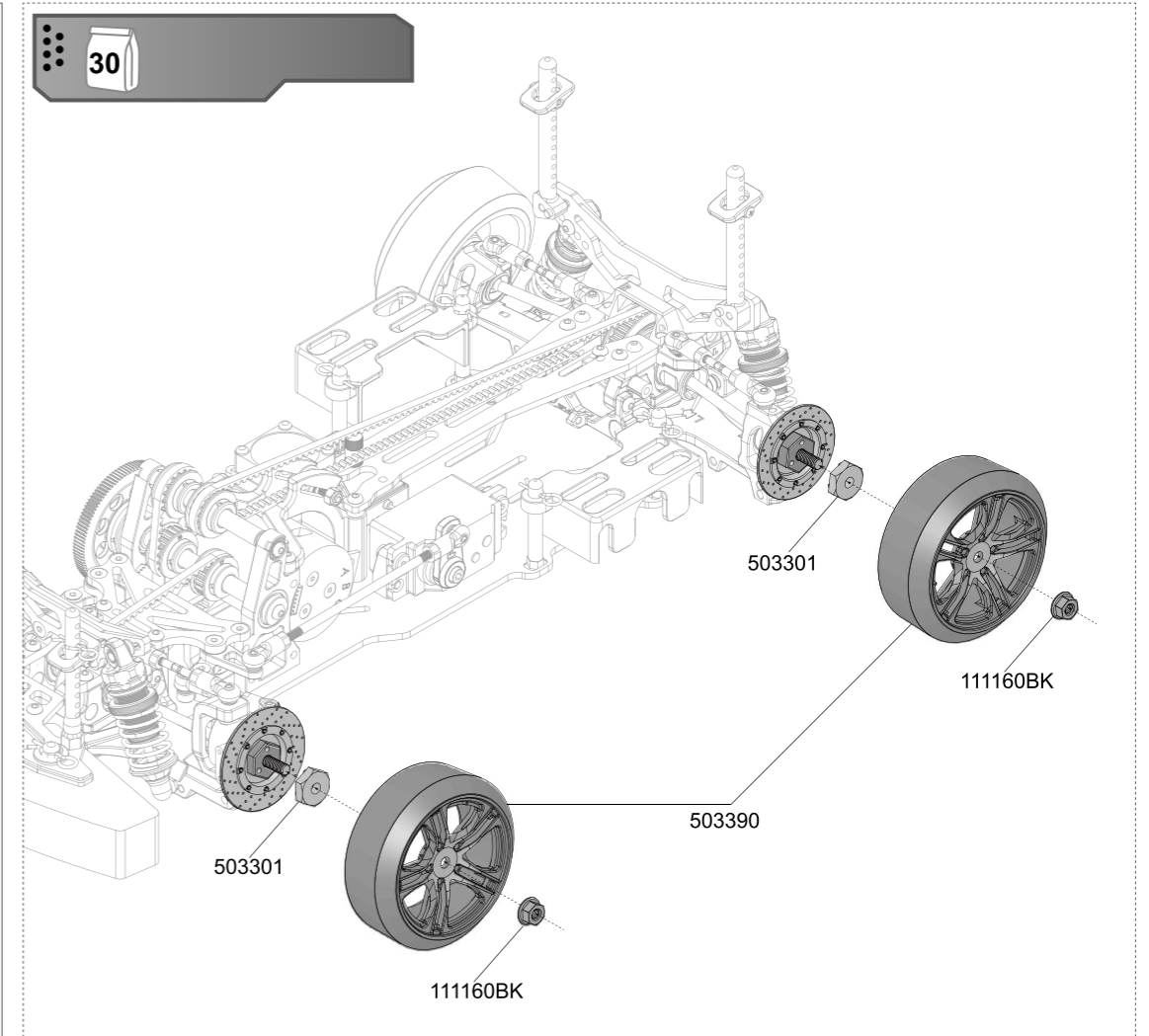
K1005  
Special 3mm  
Servo Holding Screw



126308  
3x8mm Steel F.H. Screw



30

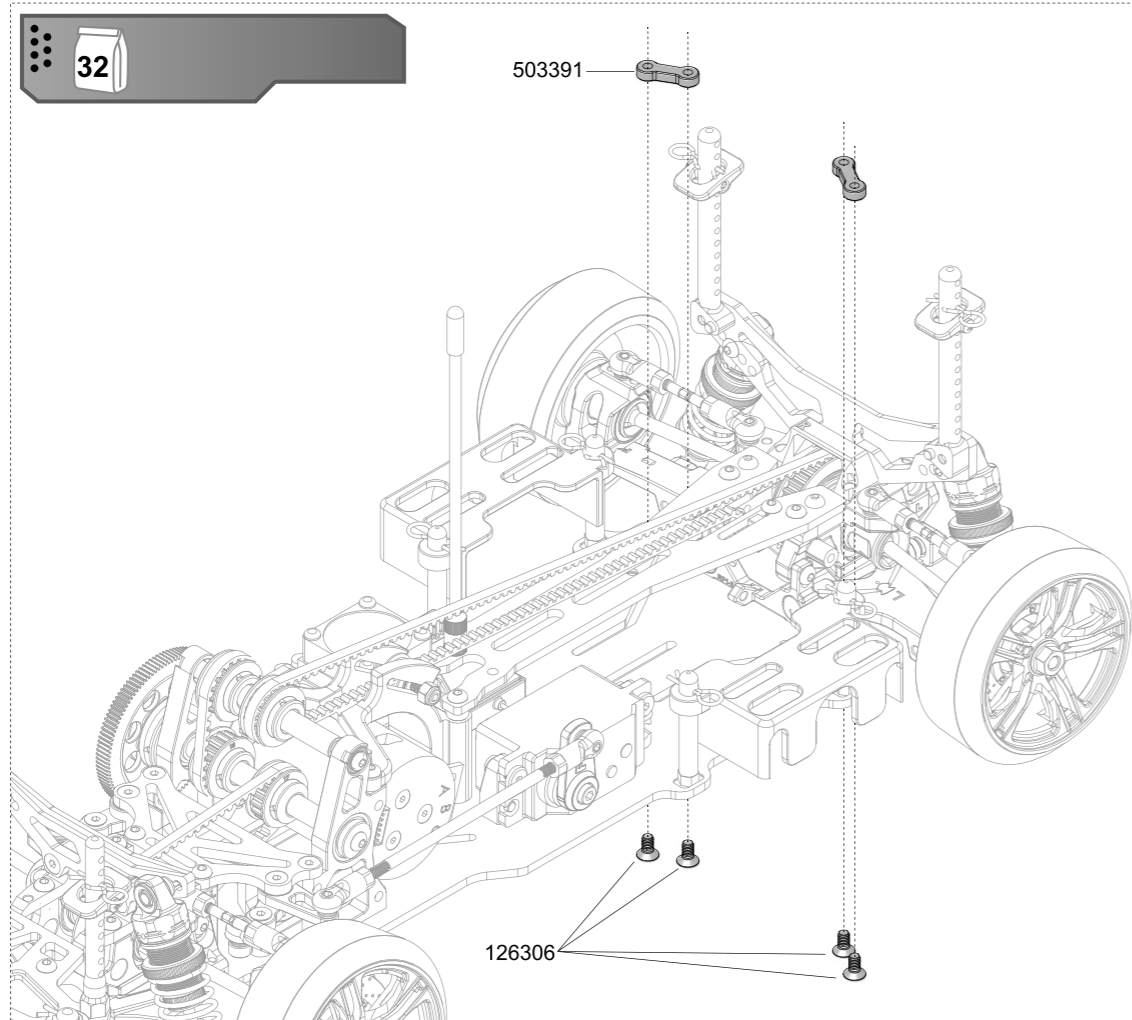




32

503391

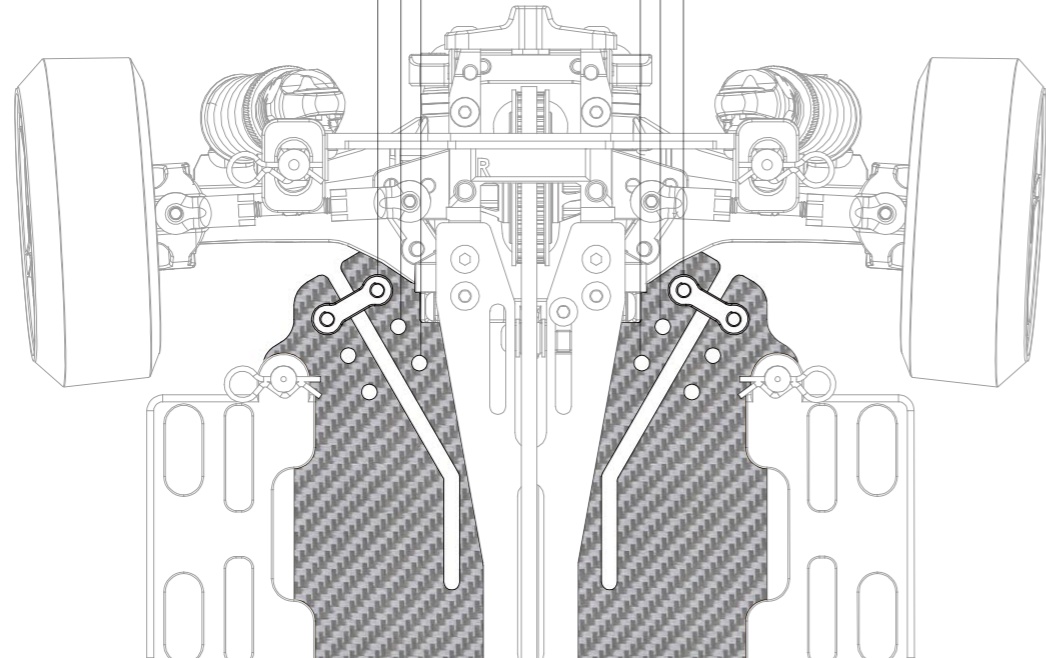
126306  
3x6mm Steel FH Screw



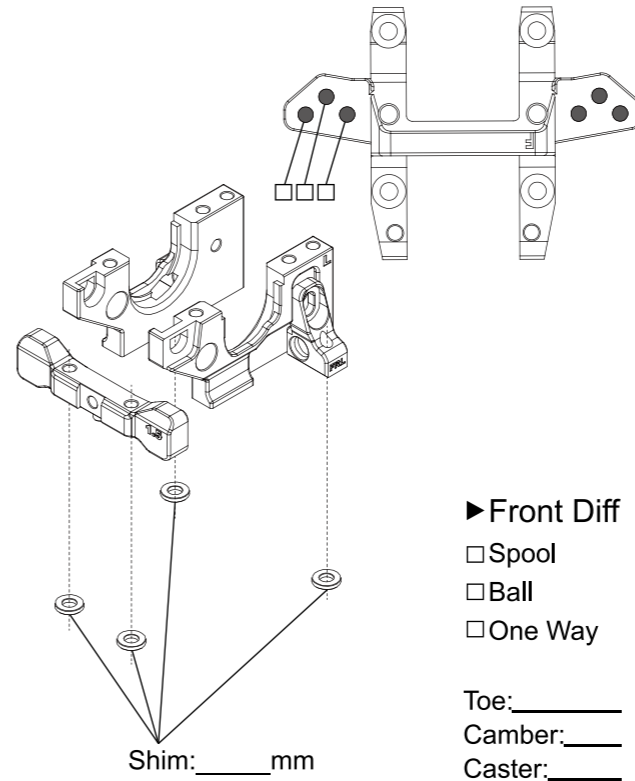
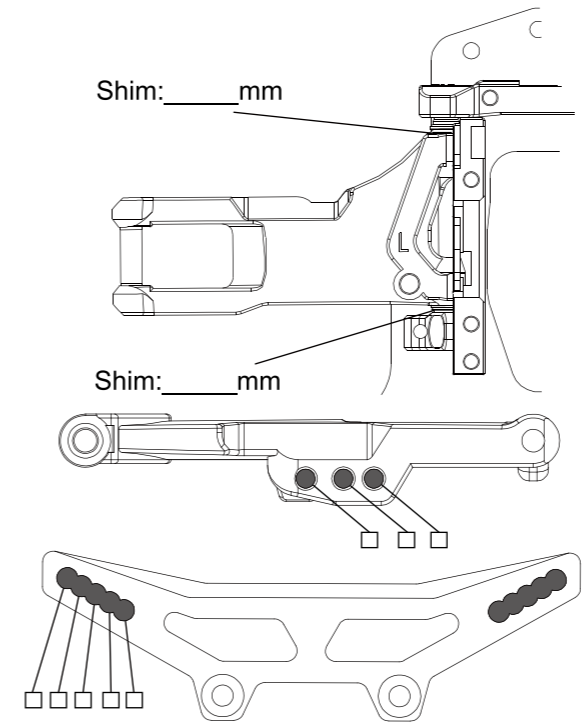
33

Soft \_\_\_\_\_  
Median \_\_\_\_\_  
Hard \_\_\_\_\_

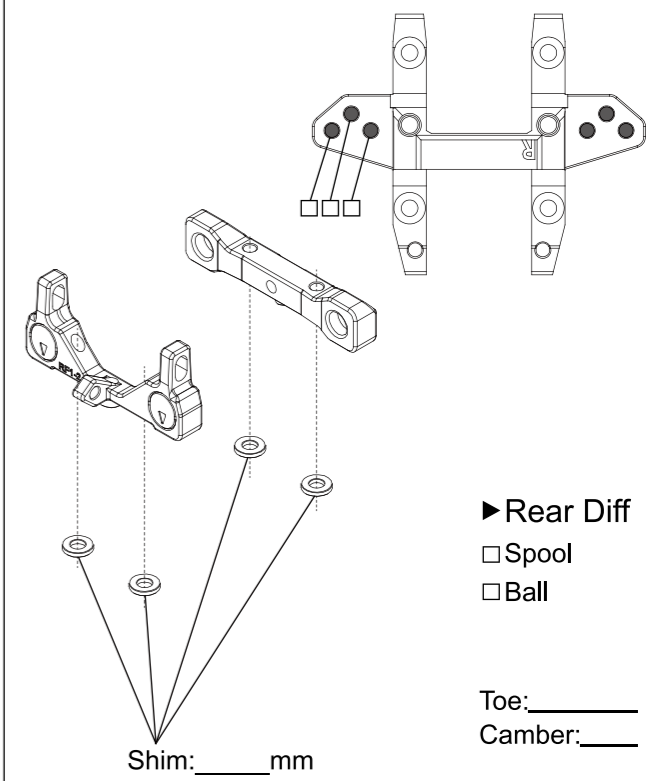
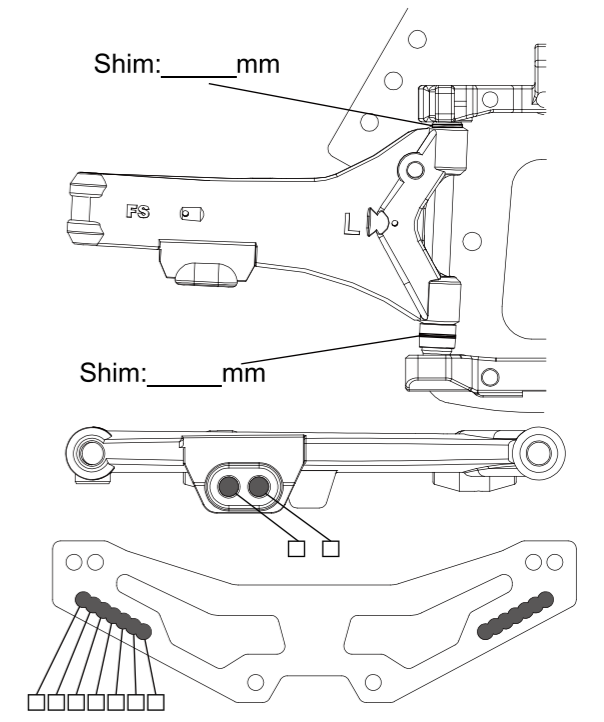
Soft \_\_\_\_\_  
Median \_\_\_\_\_  
Hard \_\_\_\_\_



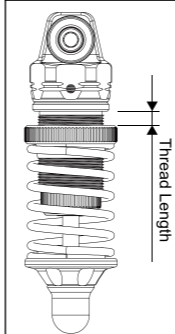
FRONT SUSPENSION



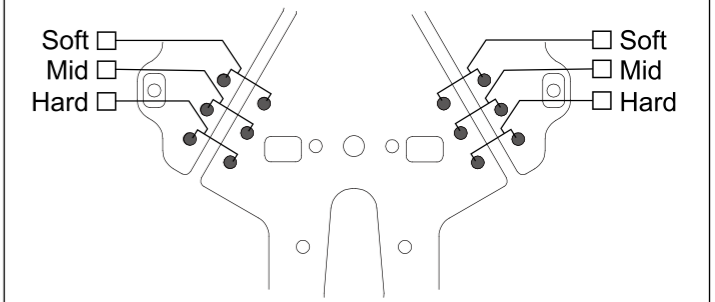
REAR SUSPENSION



SHOCKS



Hole Size: F \_\_\_\_\_ R \_\_\_\_\_  
 Holes In Piston: F \_\_\_\_\_ R \_\_\_\_\_  
 Oil wt: F \_\_\_\_\_ R \_\_\_\_\_  
 Springs: F \_\_\_\_\_ R \_\_\_\_\_  
 Rebound: F \_\_\_\_\_ R \_\_\_\_\_  
 Bladder Note: \_\_\_\_\_  
 \_\_\_\_\_  
 Thread Length: F \_\_\_\_\_ R \_\_\_\_\_





# Parts List

## PARTS

Item No.	Item Description
503115	E4 Front Rear Hinge Pin Mount Set
503117	E4 5x4mm Ball Stud (6)
503120	E4 Hinge Pin Mont Nylon Ball Cap (6)
503121	E4 Short Ball Cup (6)
503130	E4 Front Lower Outer Hinge Pin (2)
503138	E4 5x7mm Ball Stud (6)
503139	E4 Caster Block Ball Cup (4)
503140	E4 Long Ball Cup (6)
503145	E4 Bumper Post Set
503154	E4 3.1x6x0.9mm Alum. Washer (4)
503155	E4 Ball Diff Pulley 35T
503163	E4 Spur Gear 110T
503180	E4 Shock Spring Mount & Ball Cup (4)
503181	E4 Shock Bladder (4)
503183O	E4 Shock Spring (2)
503194	E4 Shock Body Hardware Set (2)
503196	E4 Lightweight Front Bulkhead Upper Mount
503197	E4 Nylon 17T Side Pulley (2)
503205	E4 Rear Lightweight Ball Diff Outdrive Set
503206	E4 Hinge Pin Ball(POM)(4)
503213	E4 New Caster Block Ball Stud (4)
503214	E4 Caster Block Lower Screw (4)
503218	E4 Lightweight Rear Front Hinge Pin Mount
503222	E4 Nylon 18T Center Pulley (2)
503224	E4 Lightweight Rear Bulkhead Upper Mount
503252	E4 3.1x6.5x3mm Nylon Washer (6)
503253	E4 Front Nylon Bulkhead Set
503259	E4 Front Lower Inner Hinge Pin (2)
503260	E4 Lower Nylon Hinge Pin Mount 1.5 Degree
503265	E4 Rear Lower Outer Hinge Pin (2)
503268	E4 Rear Nylon Bulkhead Set
503269	E4 Rear Lower Inner Hinge Pin (2)
503271	E4 Lower Nylon Hinge Pin Mount 2.5 Degree
503273-1	E4 Spur Gear HolderPin
503275	E4 Servo Mount
503279	E4 3.1x6.5x0.9mm Nylon Washer (4)
503287	E4 Shock Shaft & Piston Set (E-Clip)
503301	E4 Drift Car Nylon Accessories
503301-1	E4 Rear Body Post (65mm)(2pcs)
503303	E4 Alum. Front/Rear CVA Shaft (2)
503306	E4 Drift Bumper Set (F/R)
503307	E4 Drift Car 6mm Front Body Post(2)
503311	E4 Rear Lower Arm Set
503312	E4 Foam Bumper
503313	Servo Arm (Futaba) (2)
503336	E4 Lightweight Caster Block Set (6 degree)
503337	E4 Front Lower Arm Set
503338	E4 CVD for Large Steering Angle (2)
503340	E4 MF Battery Cover Post (4)
503341	E4 MF Battery Cover (2)
503344	E4 MF Middle Shaft
503345	E4 MF Steering Linkage (3x92mm) (2)
503346	E4 MF Steering Block(2)
503353	E4 MF Spur Gear Holder
503358	E4 MF Upper Shaft
503361	E4 MF Front Belt-198mm
503369	E4 MF Carbon Chassis-2.5mm
503370	E4 MF Alum. 7075 Motor Plate (Right)
503371	E4 MF Alum. 7075 Motor Plate (Left)
503372	E4D MF Middle Belt-102mm

Item No.	Item Description
503373	E4 MF Upper Plate Support
503376	E4 MF Carbon Front Shock Tower-3mm
503377	E4 MF Carbon Rear Shock Tower-3mm
503378	E4 MF Carbon Upper Plate-2.5mm
503379	E4 MF Bearing Blocks
503380	E4 MF Radio Plate Support Blocks-Front
503381	E4 MF Radio Plate Support Blocks-Rear(2)
503382	E4 MF Alum. Linkage Stiffener Set
503383	E4 MF Alum. Steering Arm Set (L&R)
503384	E4 MF Steering Linkage Plate
503385	E4 MF Carbon Upper Bumper-2.5mm
503386	E4 MF Alum. Bumper Rod
503387	E4 MF Shock Absorber Set
503387-1	E4 MF Shock Upper Cap
503387-2	E4 MF Shock Shaft and Piston(2)
503387-3	E4 MF Shock Body
503387-4	E4 MF Shock O-Ring and Washer Set (2)
503388	E4 MF Steering Post (2)
503389	E4 MF Long Belt-507mm
503390	E4 Mounted Drift Tire 45 Degree (5 Spoke, Orange)(4 pcs)
503391	E4 MF Chassis Stiffener (2)
503392	E4 MF Antenna Mount
111007F	3mm Flat Locknut (10)
111007ST	3mm Steel Locknut (10)
111120	R6 R-clip (10)
111160BK	4mm Special Wheel Lock Nut-Black (4)
115029	4x12mm Ball Stud(6)
115033	5.8mm Hex Socket Steel Ball-Long Neck (6)
116132BK	3x20mm Adjustable Rod (2)-BK
116133BK	3x30mm Adjustable Rod (2)-BK
116209	3x4.8x0.15mm (5) & 3x4.8x0.3mm Shim (5)
116219	3x6x2mm Alum. Washer (6)
116226	3.1x4.8x0.5mm Shim (10)
116227	E-clip 2.0 (10)
116240	2x9.8mm Pin (10)
122505BU	2.5x5mm BH Screw(10)
126303S	3x3mm Set Screws (6)
126304BU	3x4mm BH Screw(10)
126306	3x6mm Steel FH Screw (6)
126306BU	3x6mm Steel Button Head Screw (6)
126306S	3x6mm Set Screws (6)
126308	3x8mm Steel F.H. Screw (6)
126308BU	3x8mm Steel Button Head Screw (6)
126310BU	3x10mm Button Head Screw (6)
126314BU	3x14mm Button Head Screw (6)
126318C	3x18mm Cap Screw (6)
126320BU	3X20mm Button Head Screw (6)
126403S	4x3mm Set Screws (6)
130116	3.2x8x0.7 Washer (10)
130121	6.2x12x0.15mm Washer (10)
130122	3x6x0.5mm Washer (10)
150306F	3x6x2.5mm Flanged Bearing (2)
150508	5x8x2.5mm Bearing (2)
150814	8x14x4mm Bearing (2)
151218	12x18x4mm Bearing (4)
152003	O-RING P6(10)
K1005	Special 3mm Servo Holding Screw (5)
K2135	E4 Front Oneway/Solid Axle Set (35T Pulley)
K2153	E4 MF Alum. Belt Tensioner w/bearing
K6310-300	Shock Oil 70ml/2.5oz #300



1/10 Electric Touring Car (Drift Spec)

### ⚠ Cautions !!

To prevent any serious personal injury or damage to property, please be responsible when operating this radio controlled car. Team Magic and its distributors have no control over damage resulting from shipping, improper construction or improper usage. Team Magic accepts no responsibility for damages resulting from the use of improper building equipment and operations. By the act of assembling or operating this product, the user accepts all liability. If the buyer is not prepared to accept this liability, then he/she should return this product in a new, unassembled and unused condition to the place of purchase.

- ▶ This is not a toy. It is a high speed r/c car for persons age 15 and older.
- ▶ Choose the right place to drive your r/c model
  - Don't run on streets or highways. This could cause serious accidents.
  - Don't run r/c cars near people or animals.
  - Don't run in the house. There is a high risk of fire.
  - Don't run nearby hospitals or schools. Loud noises may disturb others.
- ▶ Always inspect your model before operation
  - Always make sure that no one else is using the same frequency when you are using
  - Always make sure your transmitter and batteries are fully charged to avoid losing control of the model.

Based on continuous product development, the up-to-date specifications of the kit may vary. We reserve all rights to change any specification without prior notice.

www.teammagic.com.tw



Team Magic Model Industrial co.,Ltd.  
No.185-2, 38th Road,  
Taichung industrial Park, Taichung, Taiwan 407  
E-mail: [service@teammagic.com.tw](mailto:service@teammagic.com.tw)  
Web: [www.teammagic.com.tw](http://www.teammagic.com.tw)  
Tel: 886-4-23552606 Fax: 886-4-23552946