

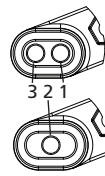
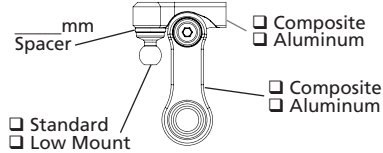
Name: \_\_\_\_\_ Date: \_\_\_\_\_ Event: \_\_\_\_\_ Track: \_\_\_\_\_

**Track Conditions**

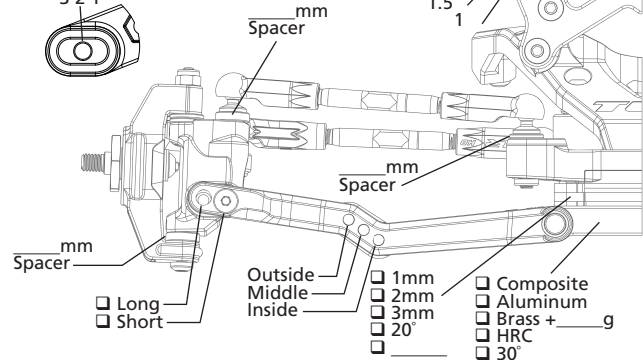
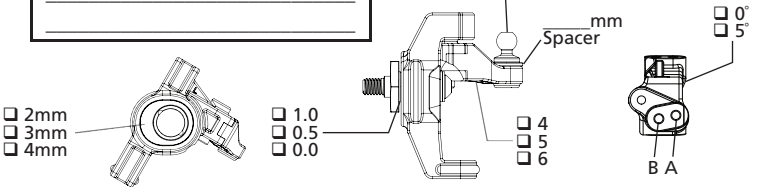
Indoor    Clay    Carpet    Tight    Smooth    Hard Packed    Blue Groove    Wet   Bite:  Low    Med    High   Other: \_\_\_\_\_  
 Outdoor    Dirt    Astro    Open    Rough    Loose/Loamy    Dry    Dusty   Tread:  Pin    Ghost    Slicks

**Front Suspension**

Ride Height	mm
Camber	°
Toe	°
Sway Bar	mm
Notes:	

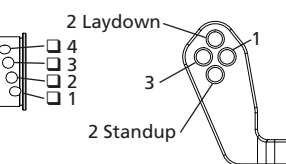
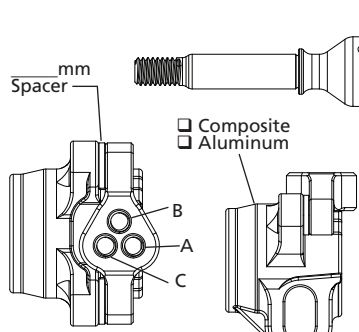


- Composite
- Carbon Std
- Carbon +2mm

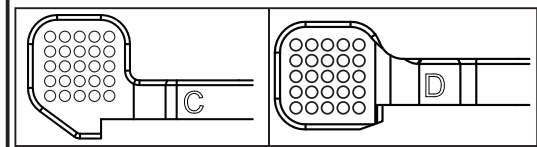


**Rear Suspension**

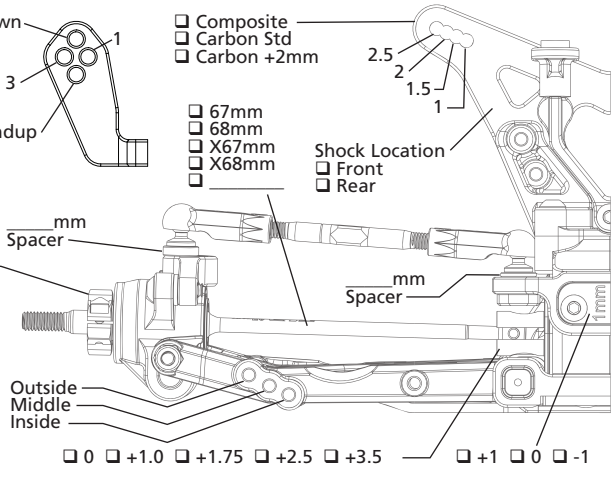
Ride Height	mm
Camber	°
Sway Bar	mm
Notes:	



- Composite
- Carbon Std
- Carbon +2mm



- 4.5
- 5.0
- 5.5
- 6.0
- Std



**Chassis**

<b>Drive Train</b>	
Diff Type	<input type="checkbox"/> Ball Diff <input type="checkbox"/> Gear Diff
Setting/Fluid	
Internal Gears	<input type="checkbox"/> Steel <input type="checkbox"/> Composite
Planet Gears	<input type="checkbox"/> 2 <input type="checkbox"/> 4
Slipper	<input type="checkbox"/> Slipper <input type="checkbox"/> Direct Drive
Slipper Pads	<input type="checkbox"/> Torque/Yellow <input type="checkbox"/> Drive/Orange

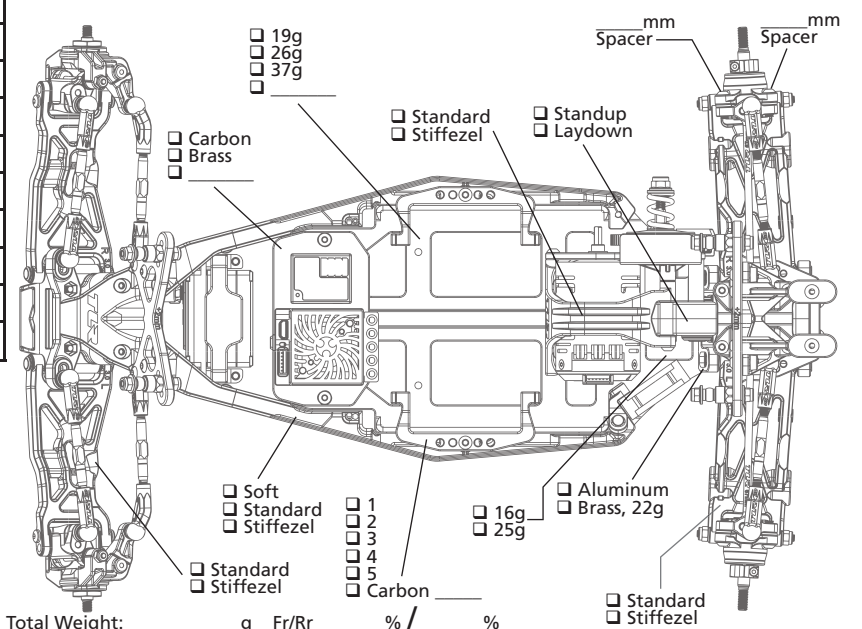
<b>Aerodynamics</b>	
Body	
Fr Wing	
Rr Wing	
Wicker	
Angle	°
Notes	

<b>Tires</b>		
	Front	Rear
Brand		
Tread		
Compound		
Insert		
Sauce		
Wheel	<input type="checkbox"/> Standard <input type="checkbox"/> Stiffezel	
Notes		

**Shocks**

	Front	Rear
Shock Caps		
Oil		
Piston	<input type="checkbox"/> Thin	<input type="checkbox"/> Thin
Limiters, Int	mm	mm
Shaft Dia	<input type="checkbox"/> 3.0mm <input type="checkbox"/> 3.5mm	<input type="checkbox"/> 3.0mm <input type="checkbox"/> 3.5mm
Limiters, Ext	mm	mm
Stroke	mm	mm
Eyelet	<input type="checkbox"/> Std <input type="checkbox"/> +2mm	<input type="checkbox"/> Std <input type="checkbox"/> +2mm
Spring		
Spring Cup	<input type="checkbox"/> Low <input type="checkbox"/> Mid <input type="checkbox"/> High	<input type="checkbox"/> Low <input type="checkbox"/> Mid <input type="checkbox"/> High

<b>Electronics</b>			
Radio		ESC	
Servo		Thro Prof	
Battery		Timing Adv	
Battery Wt	g	Initial Brake	
Motor		Drag Brake	
Gearing	/	Thr/Bra EPA	/



Total Weight: \_\_\_\_\_ g Fr/Rr \_\_\_\_\_ % / \_\_\_\_\_ %