

Reflex 14B

OFF ROAD BUGGY



**BRUSHLESS
POWERED
READY-TO-RUN**

#20185 Reflex 14B Ongaro, Ready-To-Run

- SCALE 1:14 VEHICLE
- READY TO RUN
- 4 WHEEL DRIVE
- ELEC. POWERED
- OFF ROAD
- 2.4GHZ
- PRE-PAINTED

1:14 Scale Ready-To-Run 4WD Electric Off Road Buggy Manual



CHAMPIONS by DESIGN

AssociatedElectrics.com

TEAM ASSOCIATED

:: Introduction

Thank you for purchasing this Team Associated product. This assembly manual contains instructions and tips for building and maintaining your new vehicle. Please take a moment to read through the manual and familiarize yourself with the steps. We are continually changing and improving our designs; therefore, actual parts may appear slightly different than the illustrations. New parts will be noted on supplementary sheets located in the appropriate parts bags. Check each bag for these sheets before you start to build.

:: RC14B / 14T RTR Features

- New RC8B4e Gamma-style molded body with race-inspired paint scheme
- 2.4GHz 2-channel radio system
- High-Torque Digital Servo with spring-style servo saver
- Powerful Reedy 4500kV brushless motor
- Water-resistant high-power Reedy brushless speed control with T-plug connector
- Three sealed differentials
- Threaded coil-over shock absorbers
- Adjustable turnbuckles
- Adjustable inserts for caster blocks and rear hubs
- Aluminum steering rack
- Front universal driveshafts
- Molded tub chassis with covered center driveshaft
- Aluminum center driveshaft
- 12mm drive hex
- Off road 12mm hex drive white wheels with high-grip racing tires

:: Table of Contents

1..... Cover	4 - 5..... Quick Start Guide
2..... Introduction	6 - 17..... Steps 1-36
3..... 1:1 Hardware "Fold Out"	18..... Back Cover

:: Notes



There is a 1:1 hardware foldout page in the front of the manual. To check the size of a part, line up your hardware with the correct drawing until you find the exact size. Each part in the foldout has a number assigned to it for ordering replacement parts.



This symbol indicates a special note or instruction in the manual.

:: Additional

Your new Reflex 14B/14T RTR comes assembled. The following items are needed for completion

- 6-cell NiMh or 2 LiPo battery
- Suitable battery charger
- (4) AA batteries

Tools included: • Multi-wrench

:: Other Helpful Items

- Silicone Shock Fluid (Refer to catalog for complete listings)
- Silicone Diff Fluid (Refer to catalog for complete listings)
- Body Scissors (AE Part # 1737)
- Reamer / Hole Punch (#1499)
- Shock Pliers (#1675)
- Wire Cutters
- FT Hex/Nut Wrenches (AE Part # 1519)
- Needle Nose Pliers
- Hobby Knife
- Soldering Iron
- Calipers or a Precision Ruler
- Green Slime shock lube (AE Part # 1105)
- FT Dual Turnbuckle Wrench (#1114)
- FT Universal Tire Balancer (#1498)

Associated Electrics, Inc.
21062 Bake Parkway.
Lake Forest, CA 92630



Customer Service
Tel: 949.544.7500
Fax: 949.544.7501

:: Hardware - 1:1 Scale View

Flat Head (fhcs)



2.5x10mm (31350)

Cap Head (shcs)



2.5x12mm (8691)

Ball Bearings



4x7x2.5mm (21512)



4x8x3mm (21512)



8x12x3.5mm (21512)

Flat Head (fhst)



2x8mm (21546)



2.6x8mm (21546)



2.6x10mm (21546)

Set Screws



3x2.5mm (31500)



3x3mm (25225)



3x8mm (4670)

Button Head (bhcs)



2.5x6mm (31520)

Nuts (lock/plain)



M2.5 Locknut (89215, 21546)



**M4 Locknuts:
Serrated Steel (Silver)(91826)
Flanged (Black) (91148)
FT Aluminum (Blue) (31551)
Serrated Aluminum (Black) (91738)**

Shims and Washers



2.7x6.7x0.5mm (21546)



4x8x0.5mm (21516)

Button Head (bhst)



2.6x6mm (21546)



2.6x8mm (21546)



2.6x10mm (21546)

Notes:

:: Quick Start Guide

Battery Charging Steps and Safety:

Remove the battery from the vehicle before charging.
Place battery on a fire resistant surface.
Avoid any contact with water or other liquids.
Be sure to select the correct charging mode for the type of battery you are charging.

ALWAYS use a compatible charger for charging your batteries.

Caution: Never leave the battery unattended while charging. Always disconnect the charger from the power source when finished charging.

Caution: Always disconnect the battery when you are finished driving the vehicle.



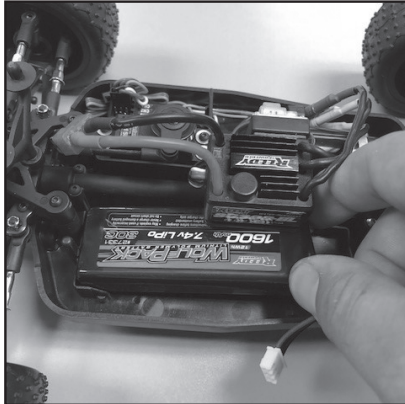
**Peak Detection
Quick Charger**

:: Quick Start Guide - (cont.)

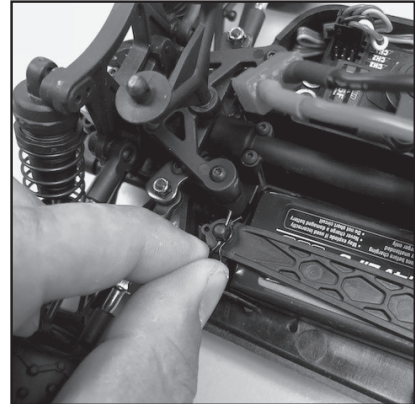
Battery Installation:

1. Install the battery with the battery wires directed towards the rear of the vehicle.
2. Secure the battery strap using two body clips.

1



2

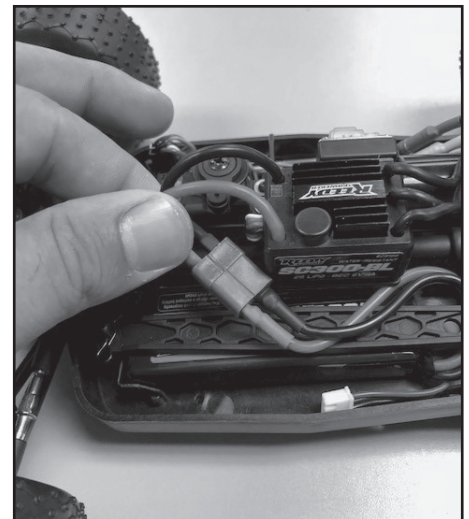


:: Quick Start Guide - (cont.)

Battery Notes and Tip:

Connect the battery as shown.
Disconnect the battery when not in use!

LiPo: LiPo batteries (lithium polymer) are high current rechargeable batteries. LiPo batteries offer extended run time and peak performance over NiMH batteries. They require a peak detection charger designed specifically for LiPo batteries. These batteries require special care and handling. LiPo batteries are recommended for advanced users only!
ALWAYS charge a LiPo battery in LiPo mode.



:: Quick Start Guide - (cont.)

Radio System Tuning and Controls:

RULE: Transmitter on First/Vehicle on Second,
Vehicle off First/ Transmitter off Last!

- 1) Slide the battery cover to remove cover.
- 2) Install alkaline or rechargeable AA size batteries into the battery holder.
- 3) Slide the battery cover back into place making sure it is completely closed and secure.
- 4) Turn the power ON. If the power indicator LED fails to light, check the batteries for insufficient contact or incorrect polarity.



On/Off Switch

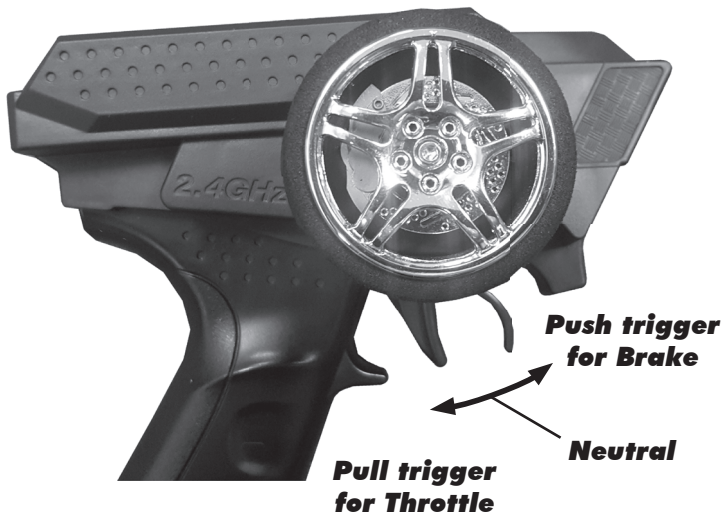
:: Quick Start Guide - (cont.)

Radio System Tuning and Controls:

DO NOT hold the trigger when turning on the radio.

If using optional battery for transmitter, be sure to plug it in correctly. Plugging in a battery backwards can cause damage.

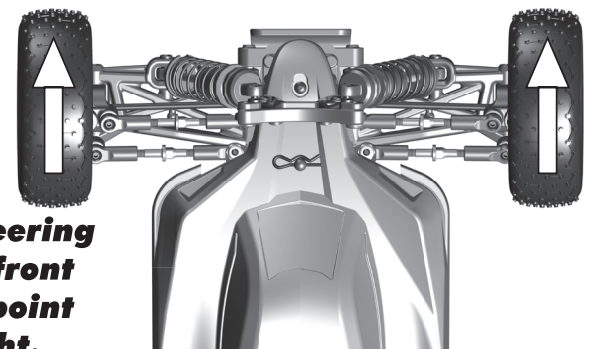
Refer to Radio owners manual for more in-depth instructions on radio operation and functions.



Throttle set to Neutral!

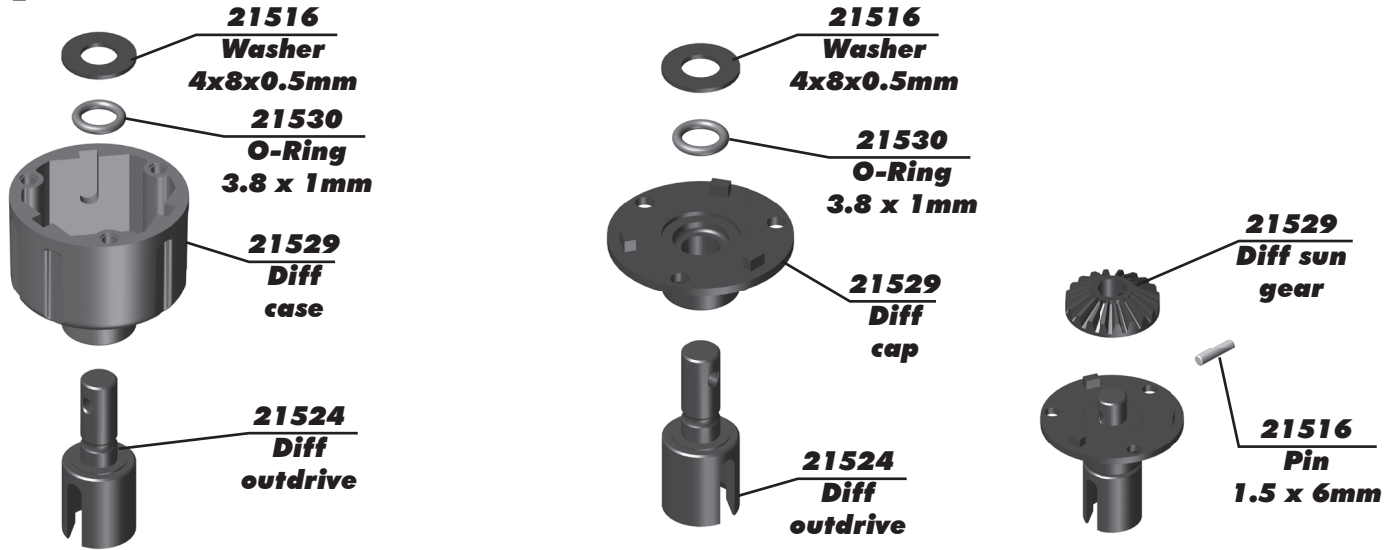


Adjust steering trim so front wheels point straight.

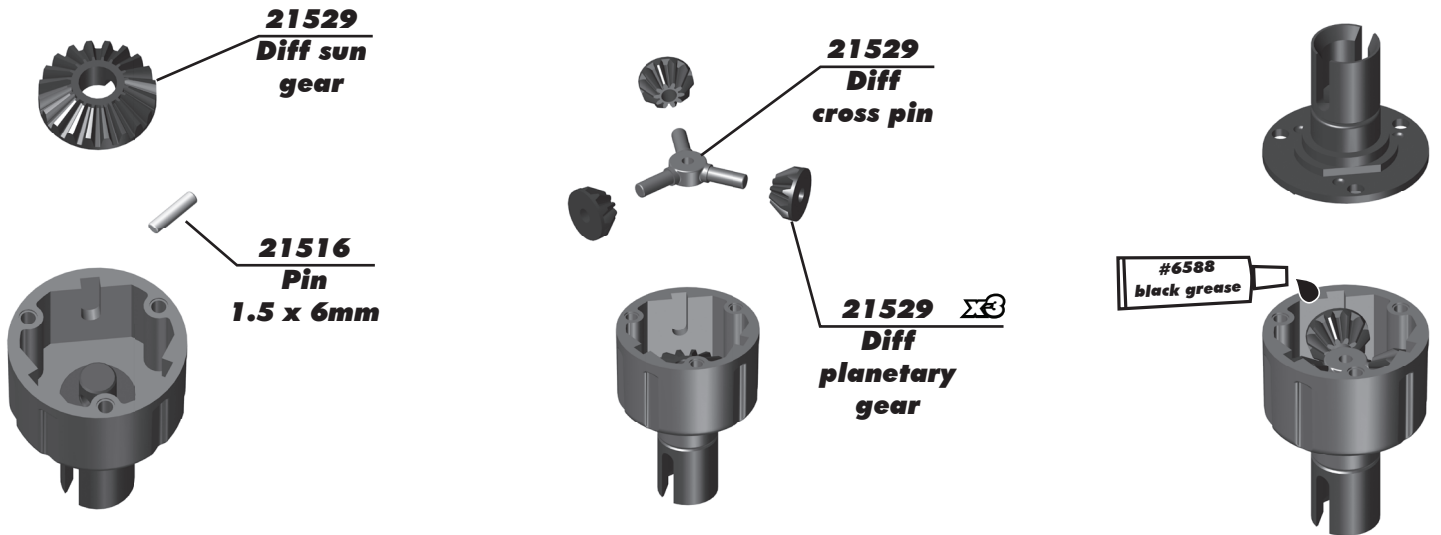


**Install body and body clips.
Ready to go!**

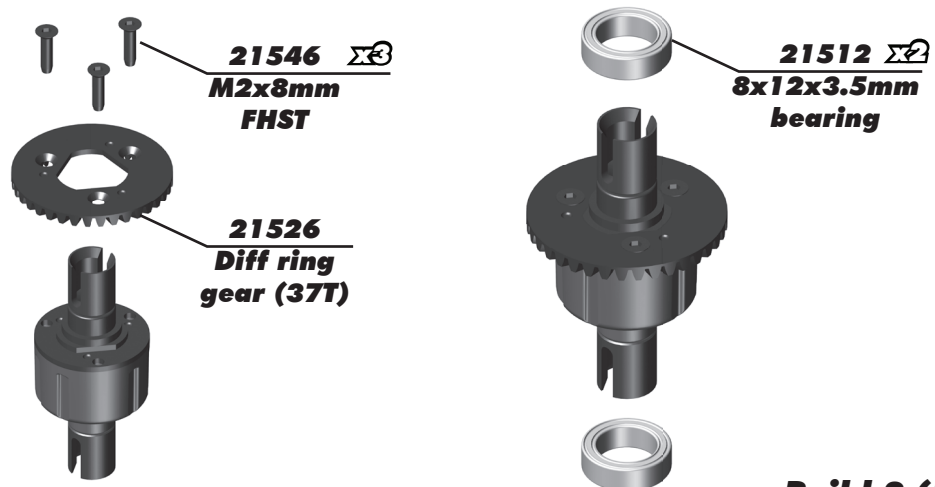
:: Step 1



:: Step 2



:: Step 3

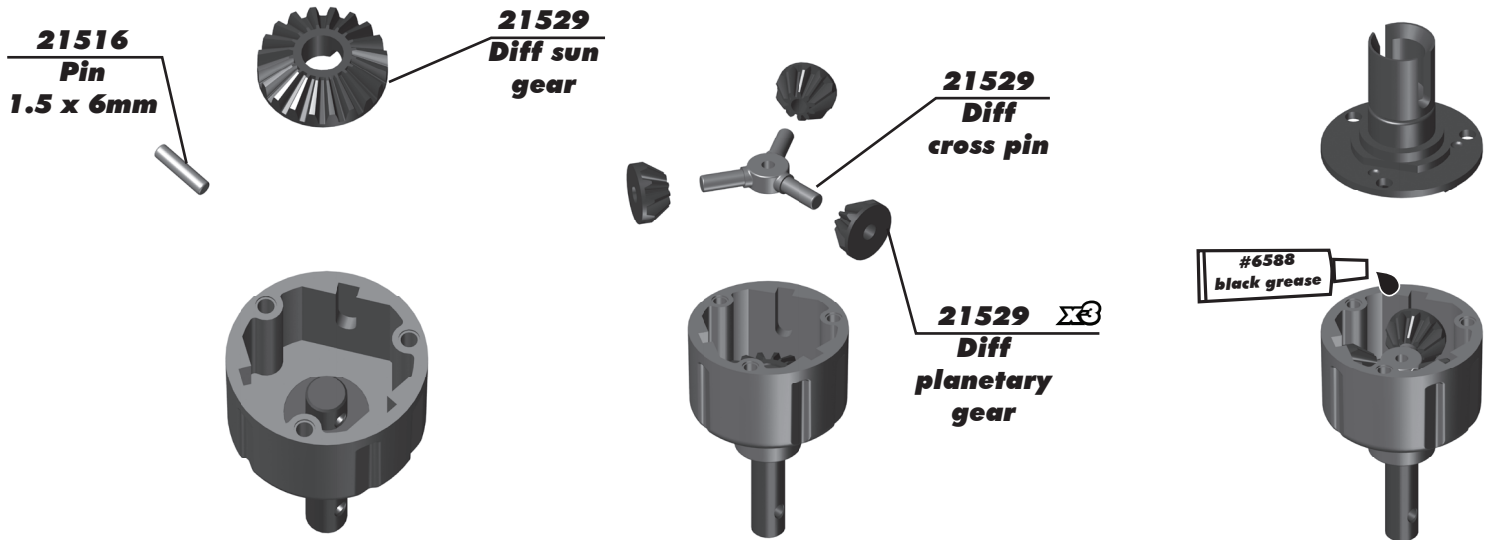


Build 2 (1 front, 1 rear)

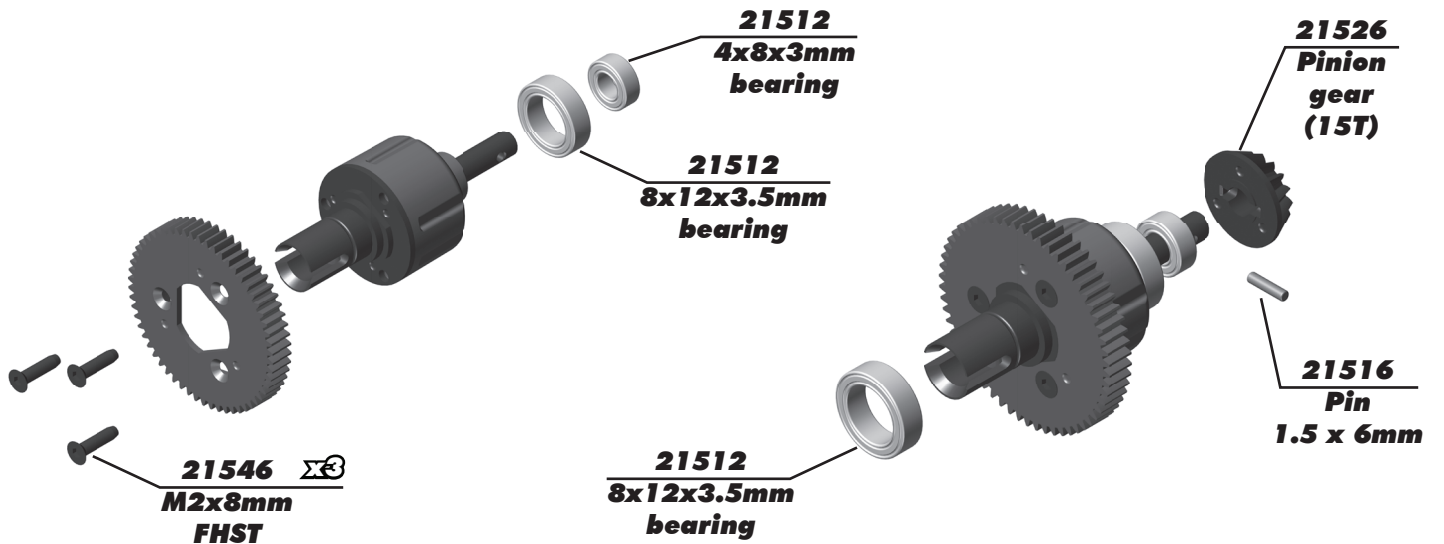
:: Step 4



:: Step 5



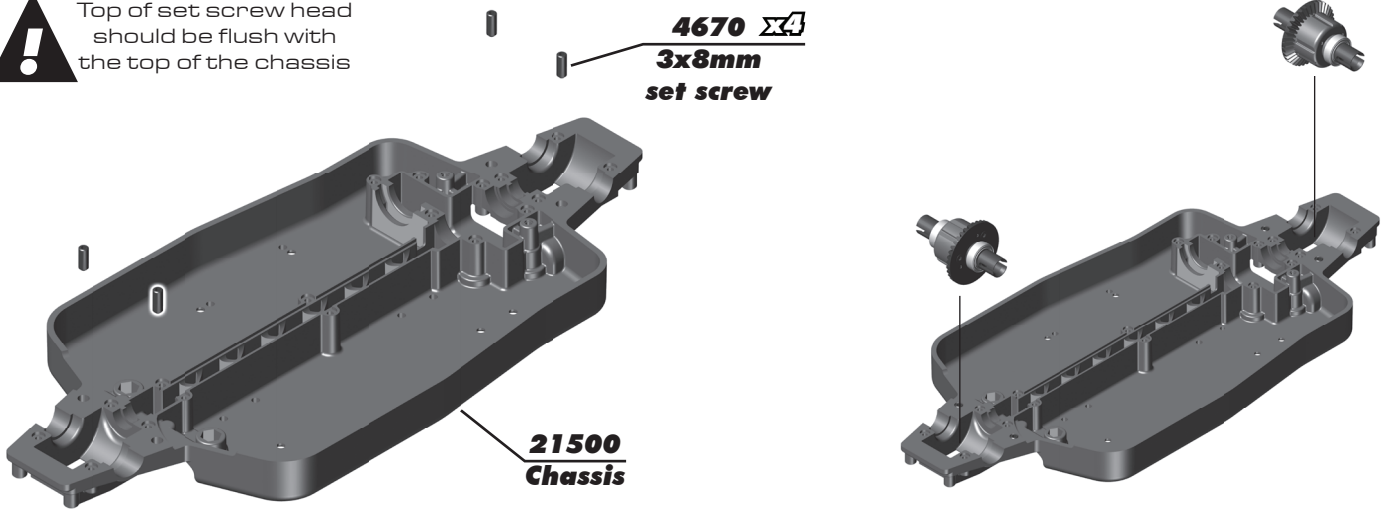
:: Step 6



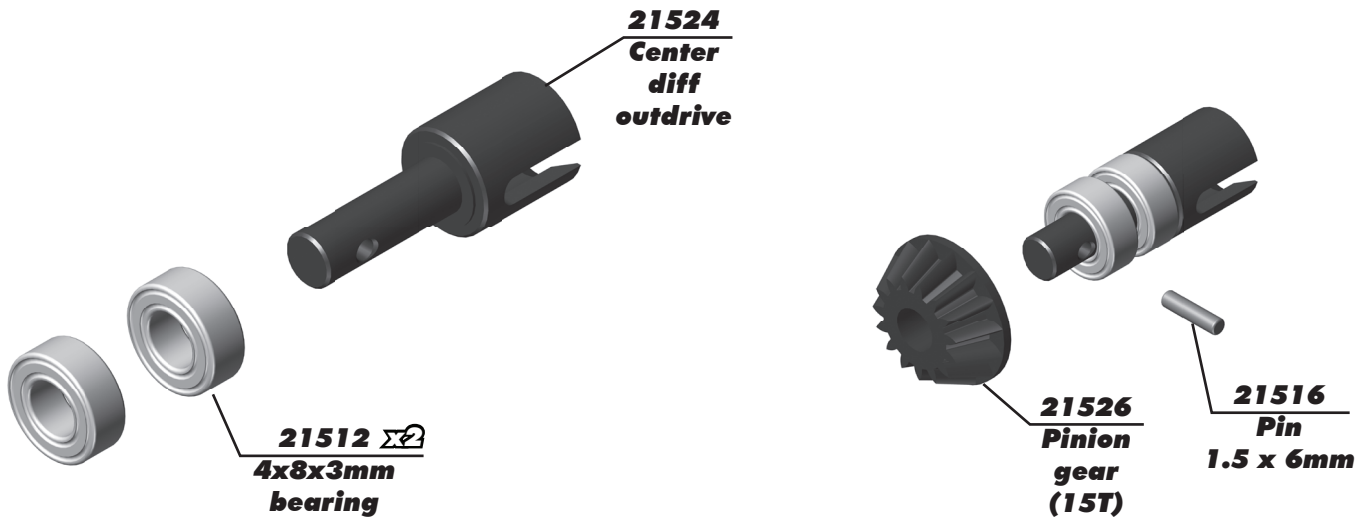
:: Step 7



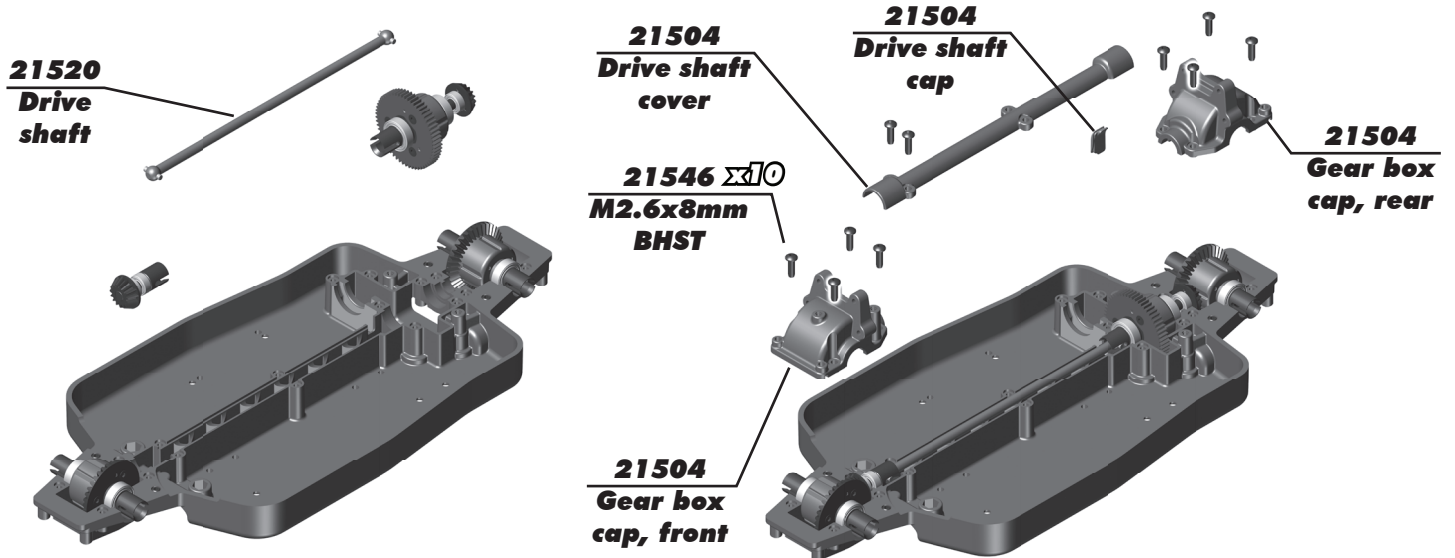
Top of set screw head should be flush with the top of the chassis



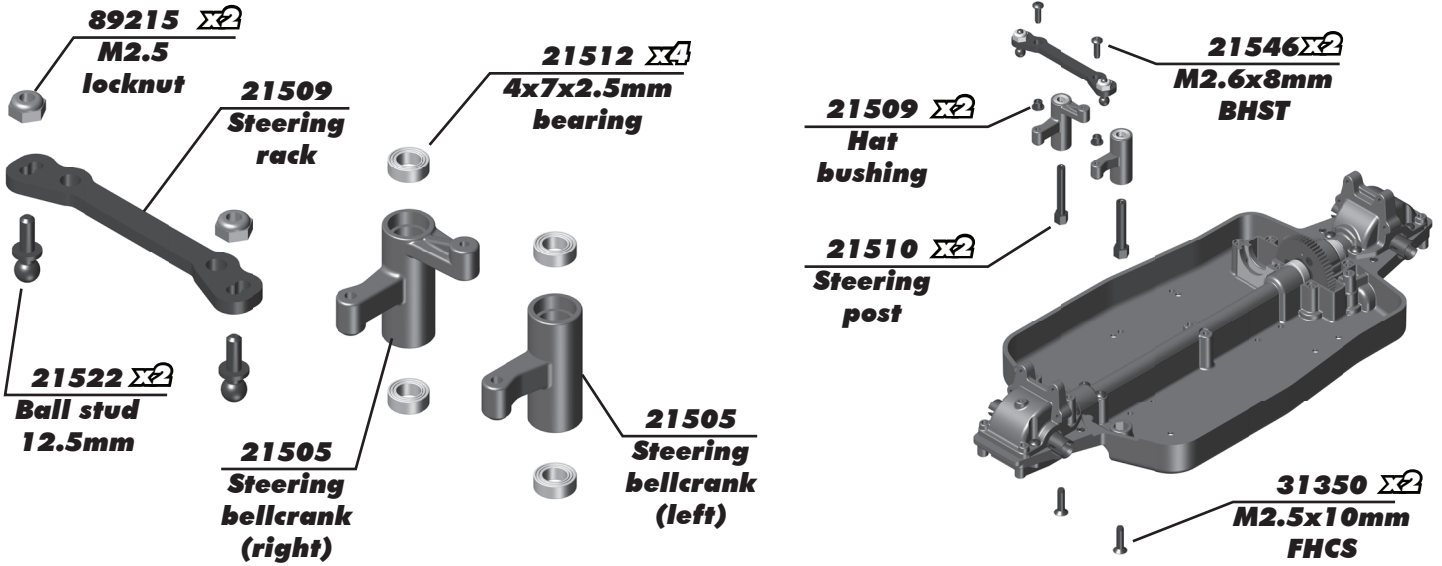
:: Step 8



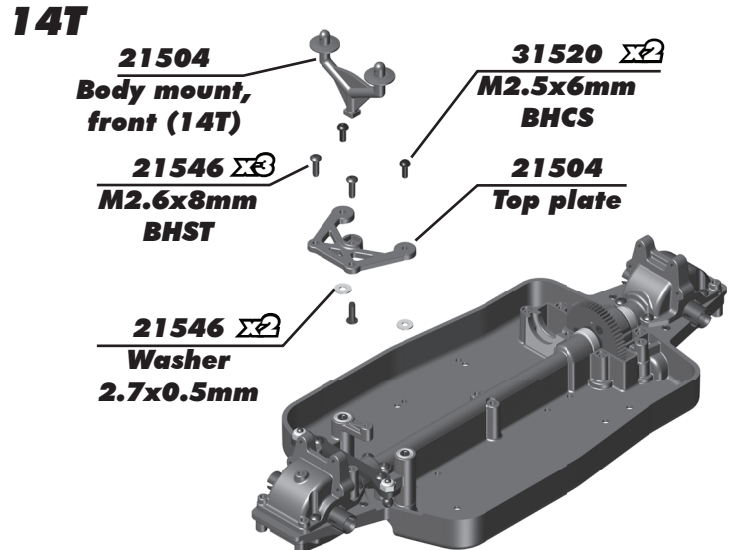
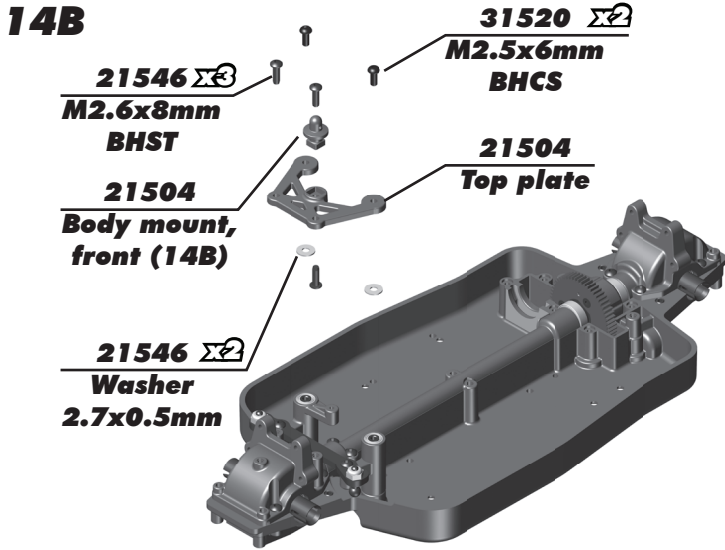
:: Step 9



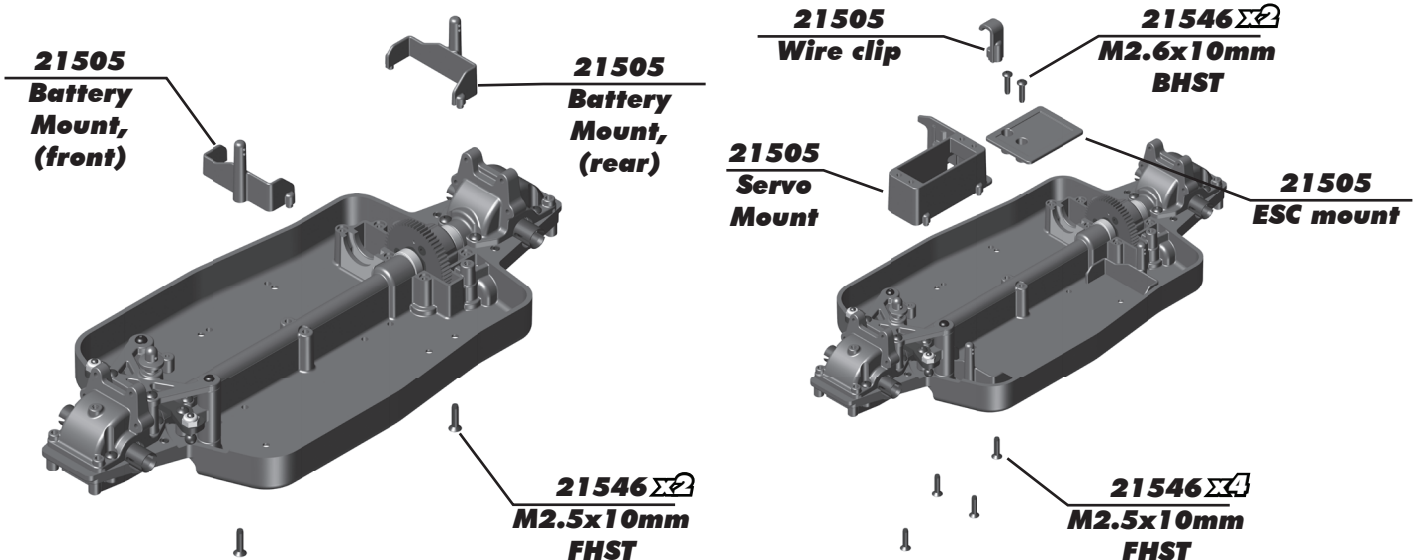
:: Step 10



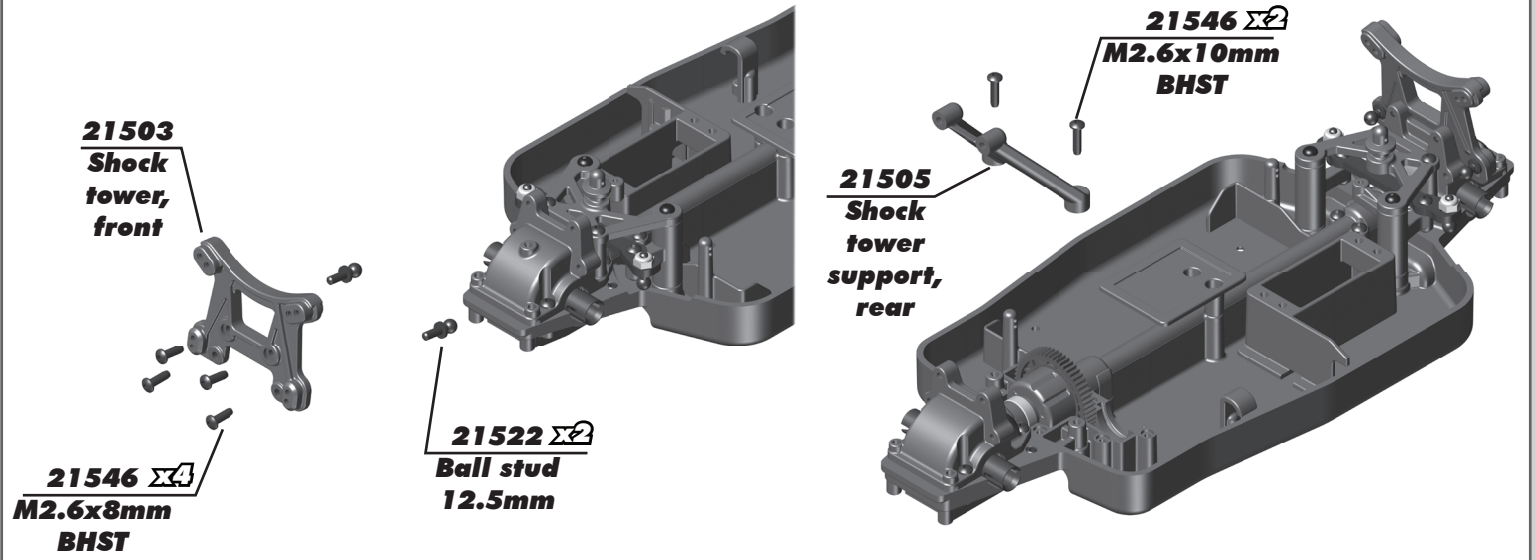
:: Step 11



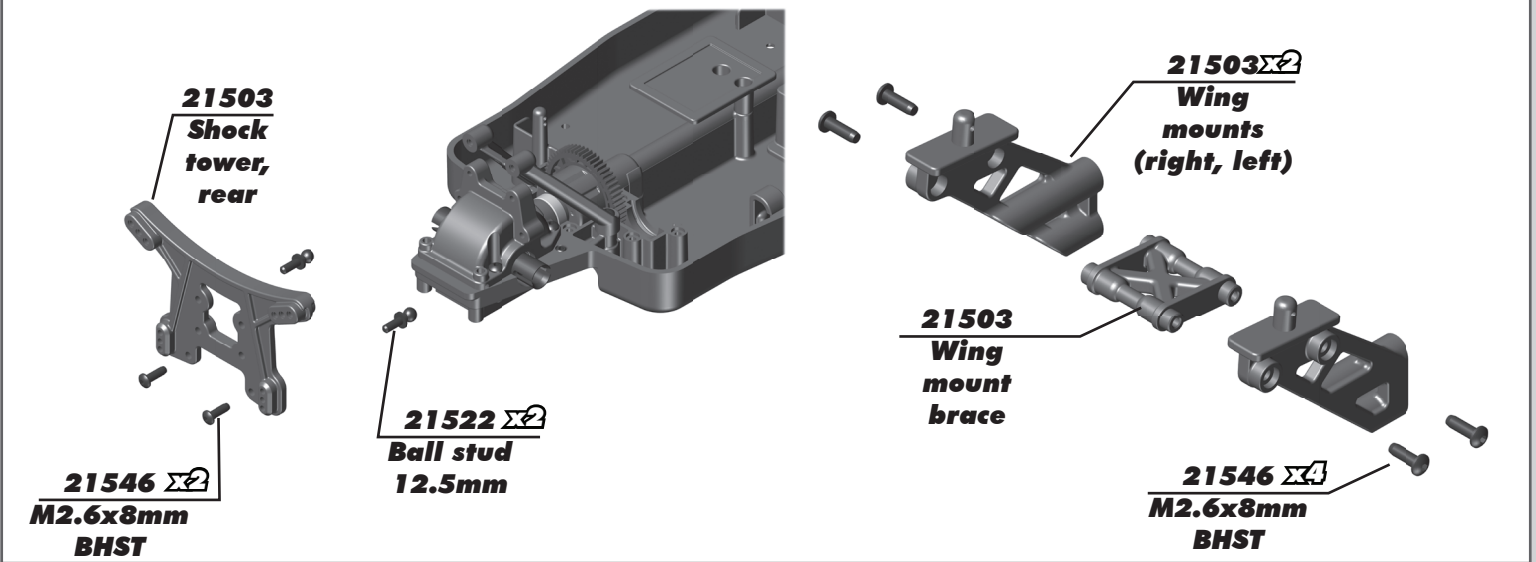
:: Step 12



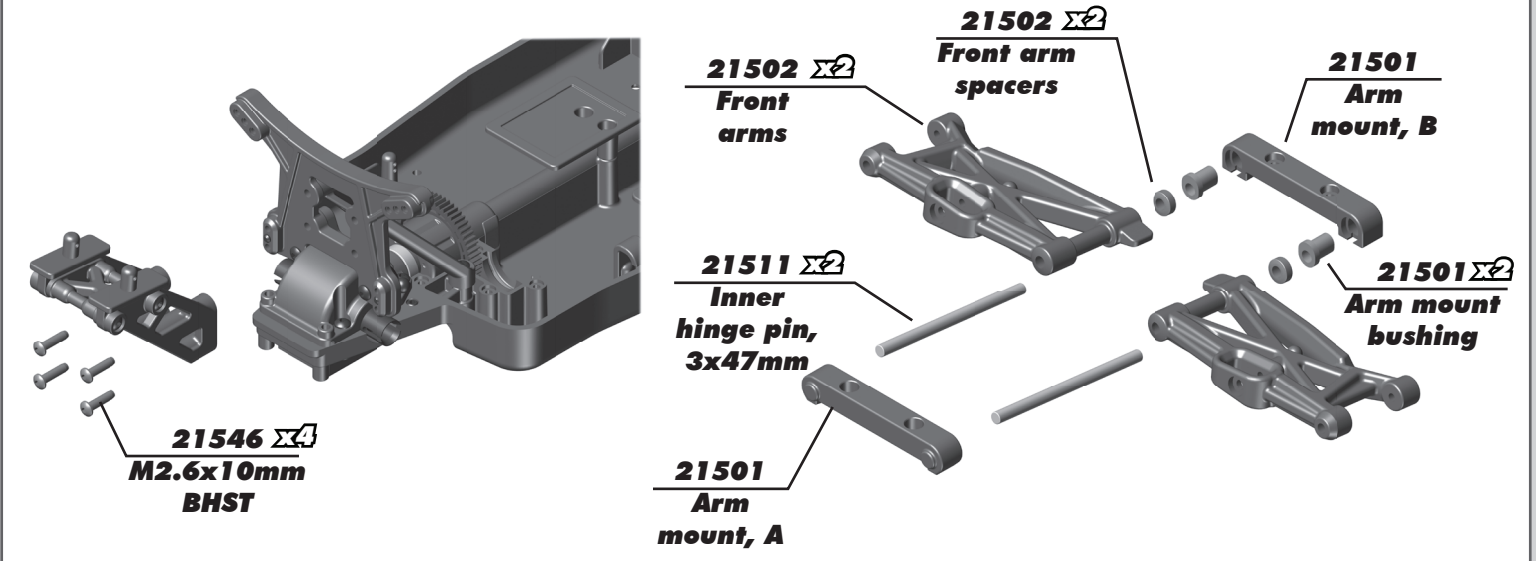
:: Step 13



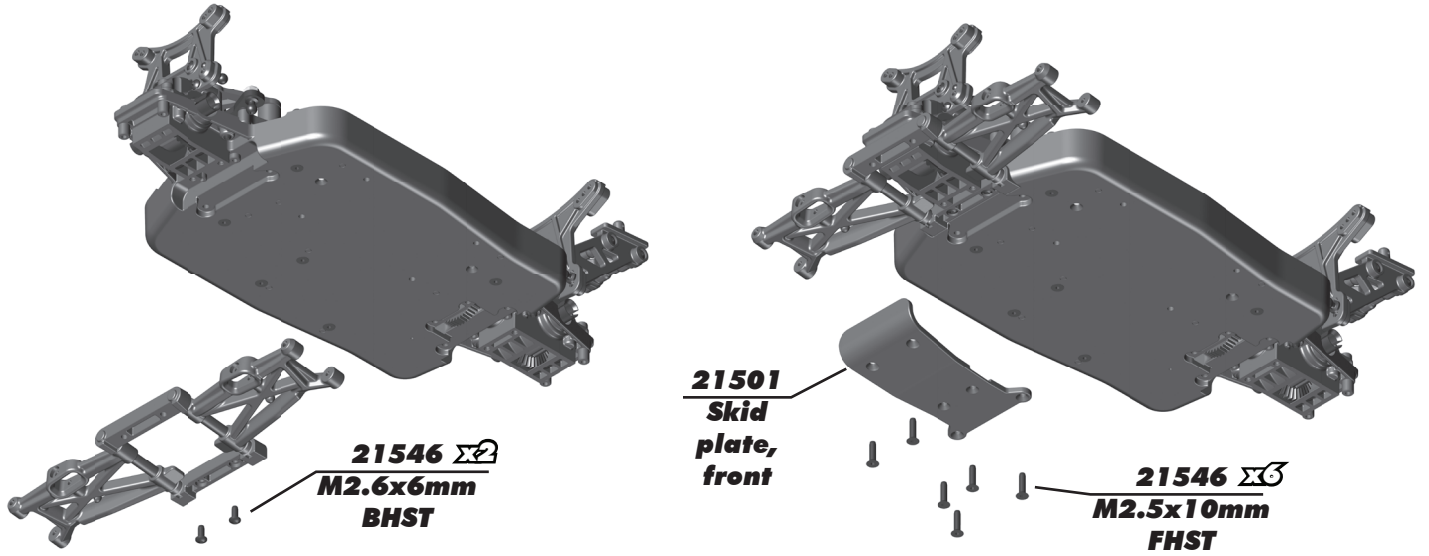
:: Step 14



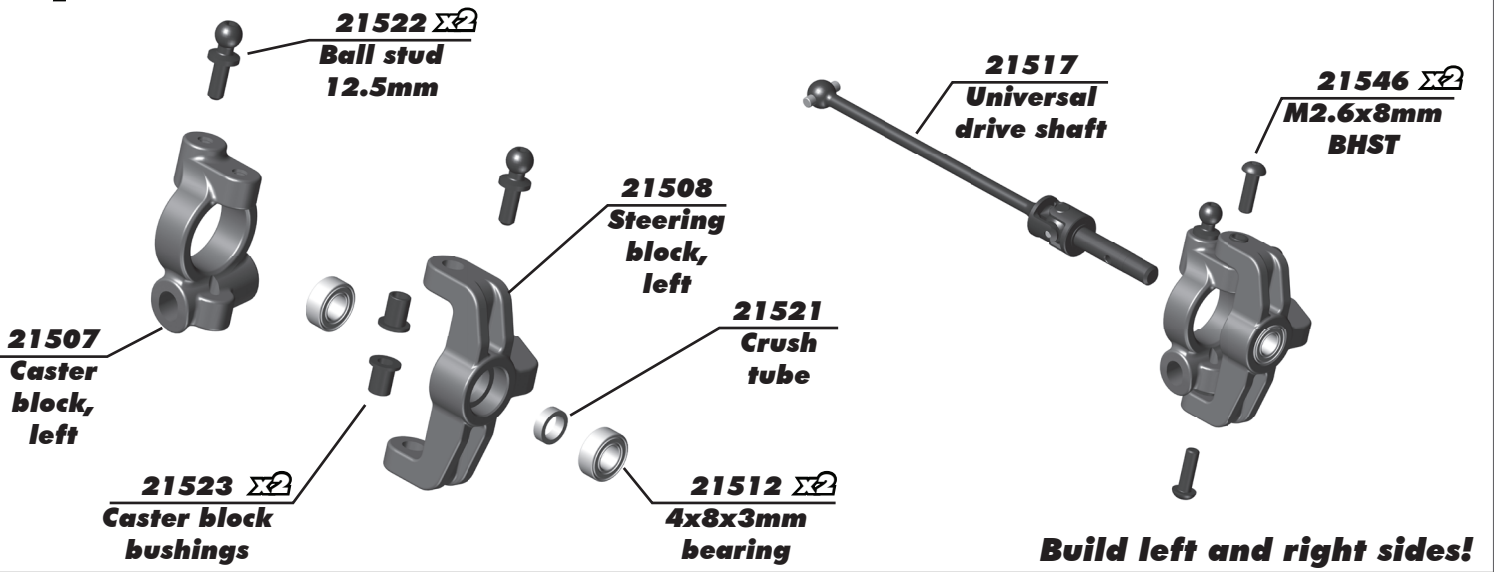
:: Step 15



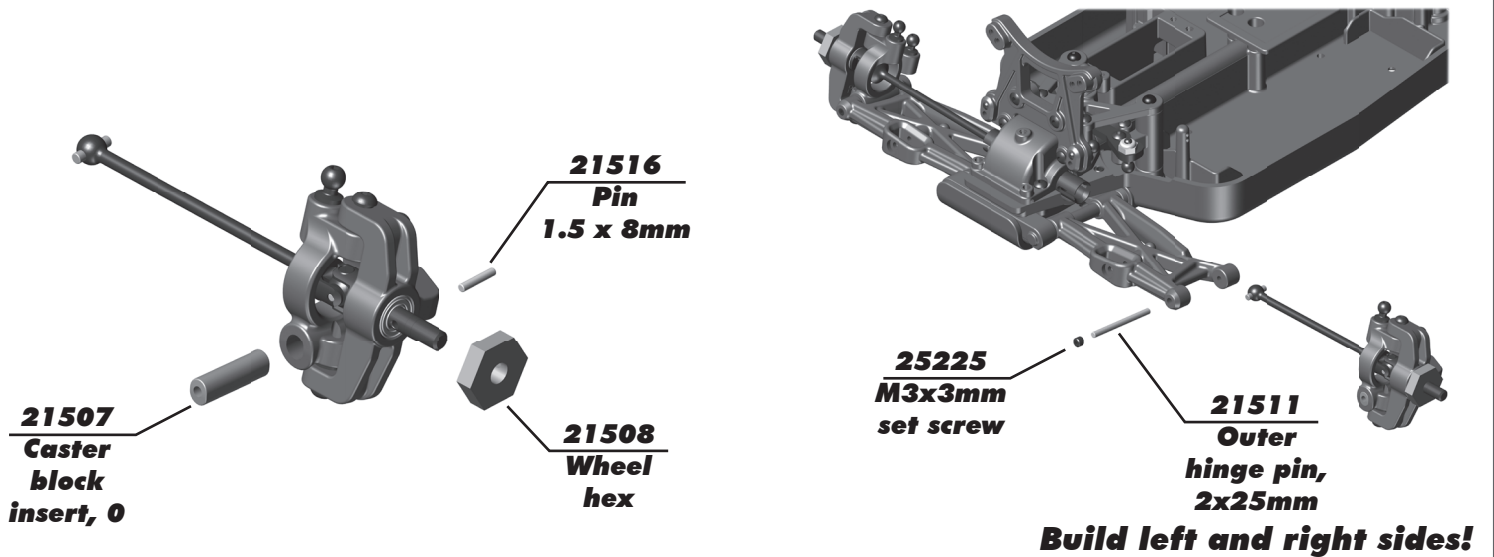
:: Step 16



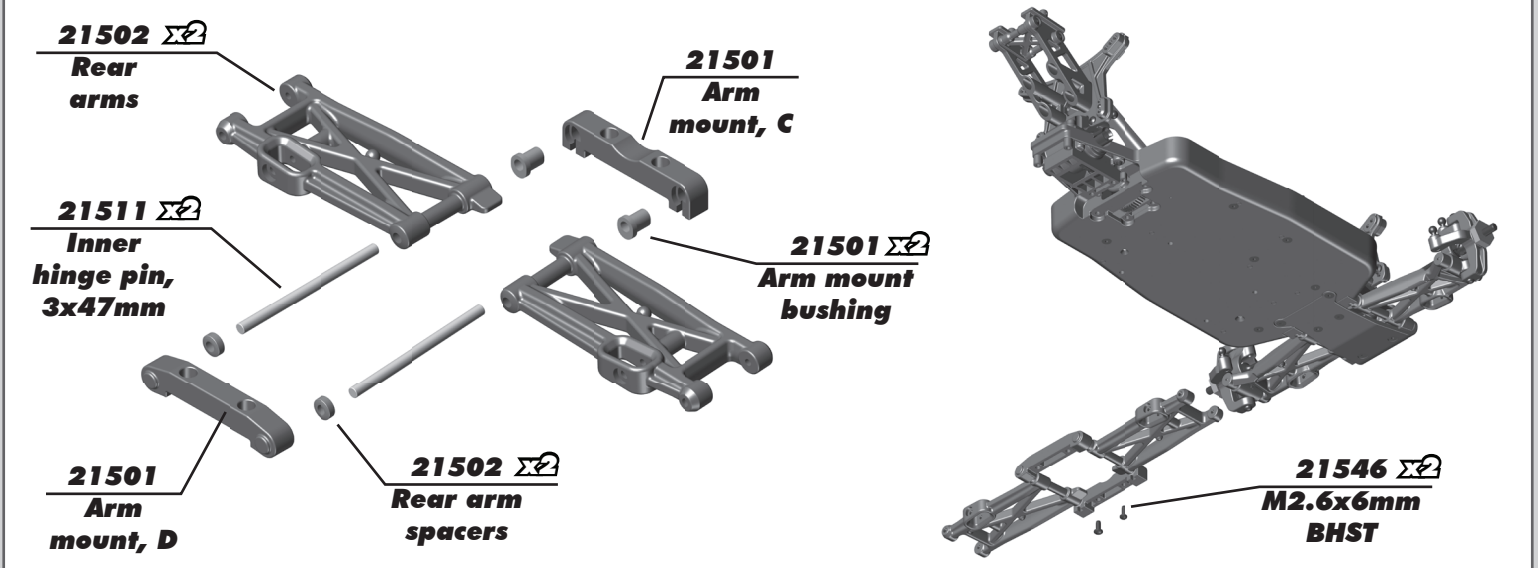
:: Step 17



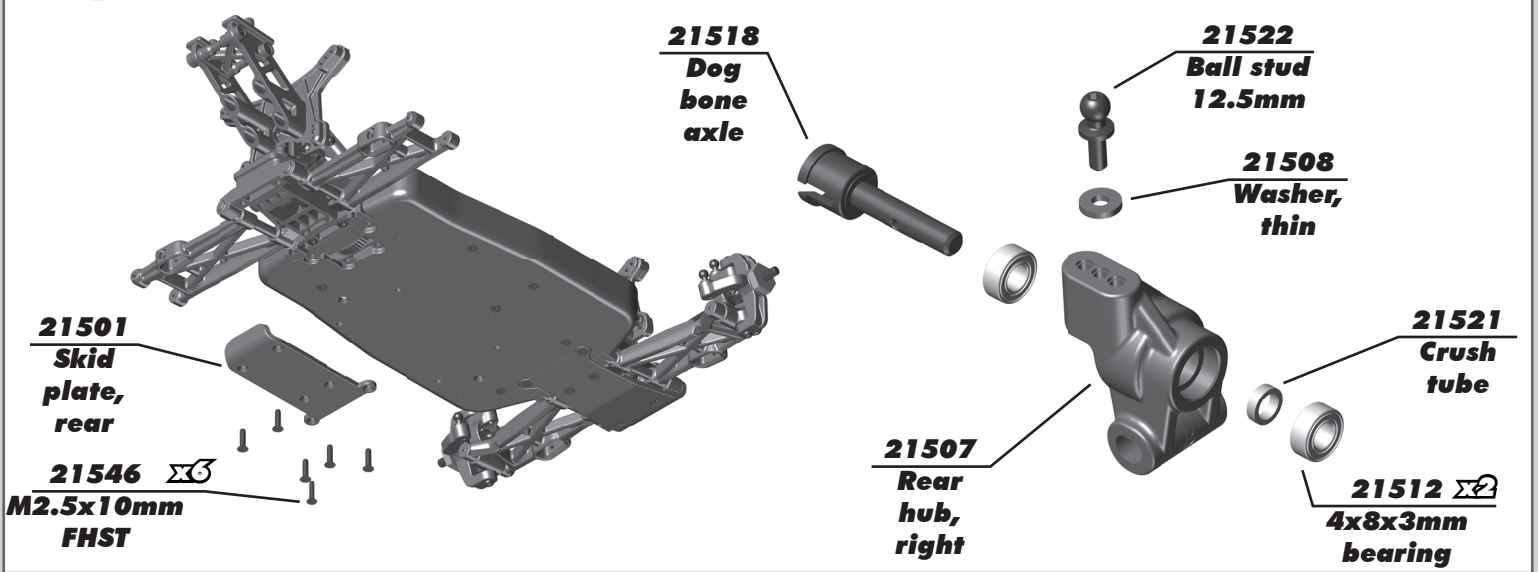
:: Step 18



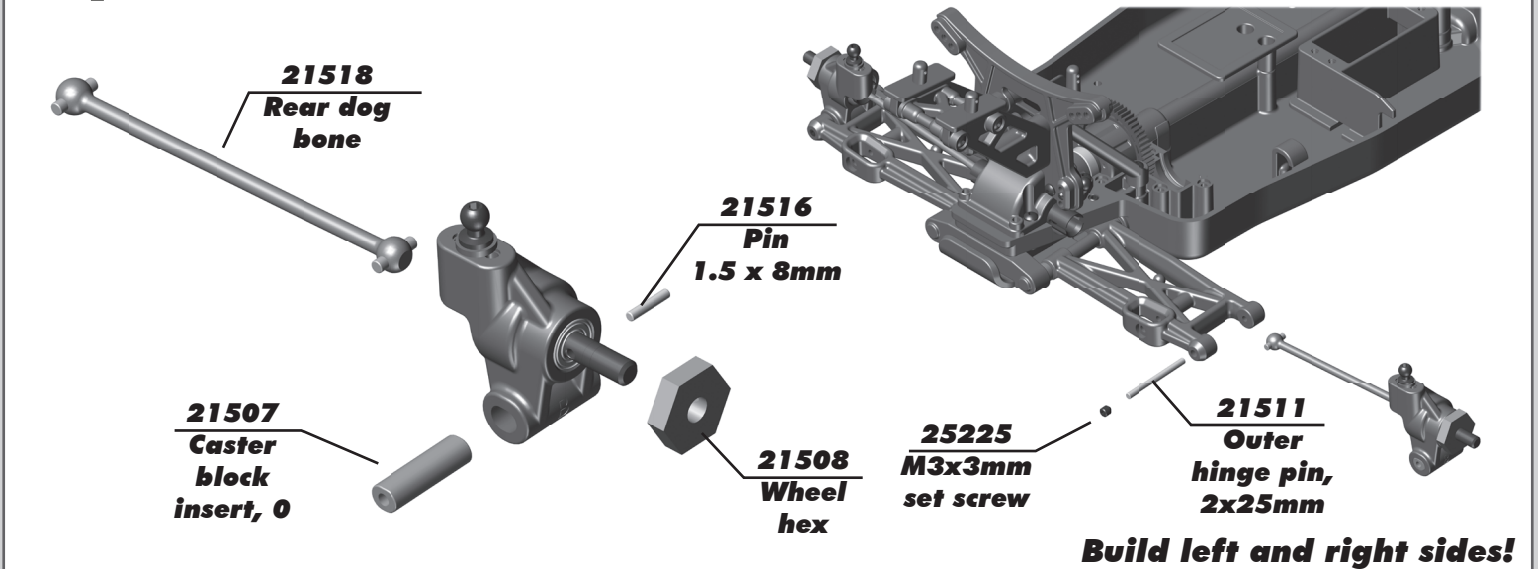
:: Step 19



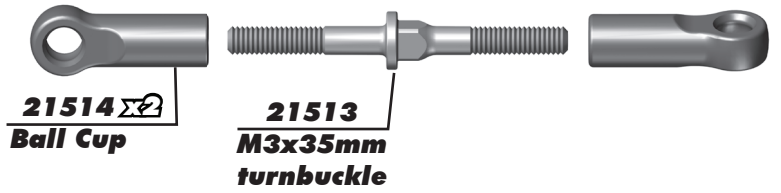
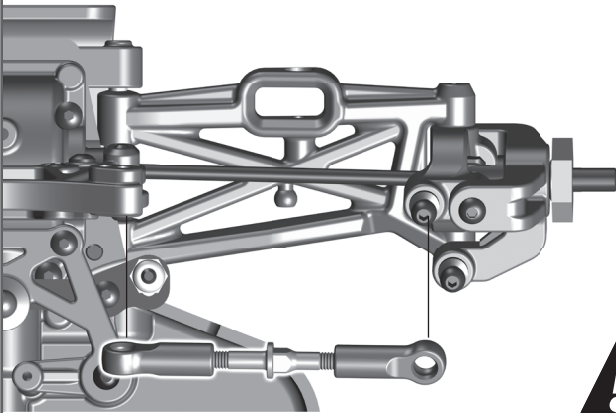
:: Step 20



:: Step 21

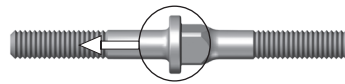


:: Step 22



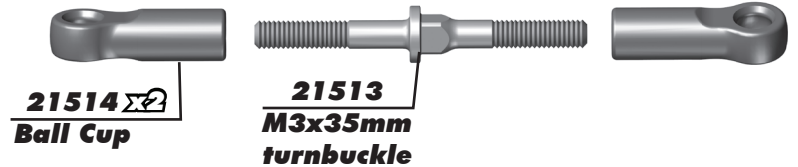
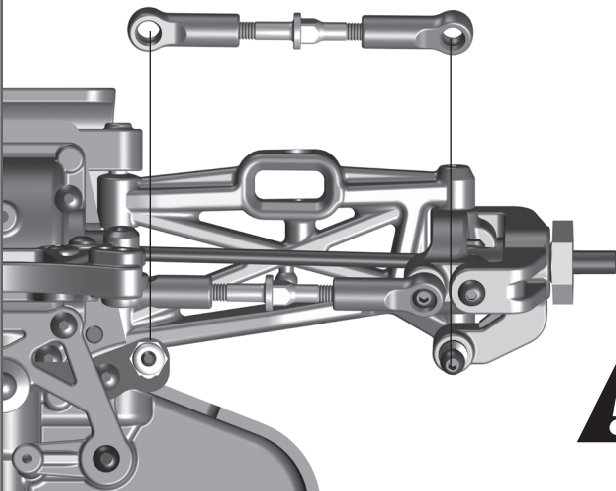
Orient the flange to the left throughout the car. It indicates which end has the left hand threads!

Front Camber Turnbuckle
20.00mm



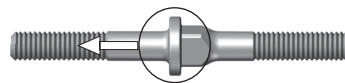
Build x2 (right and left side)

:: Step 23



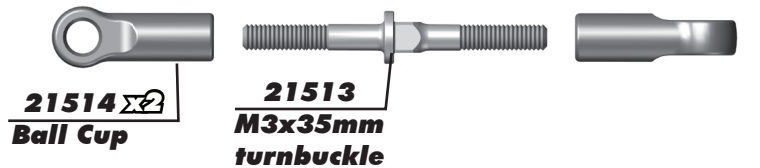
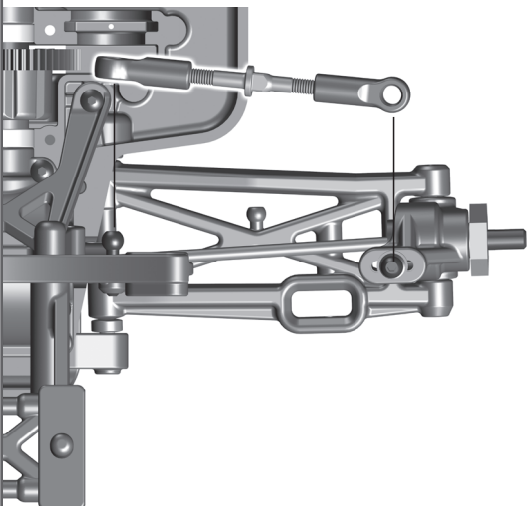
Orient the flange to the left throughout the car. It indicates which end has the left hand threads!

Steering Turnbuckle
19.50mm



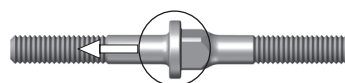
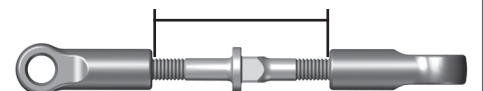
Build x2 (right and left side)

:: Step 24



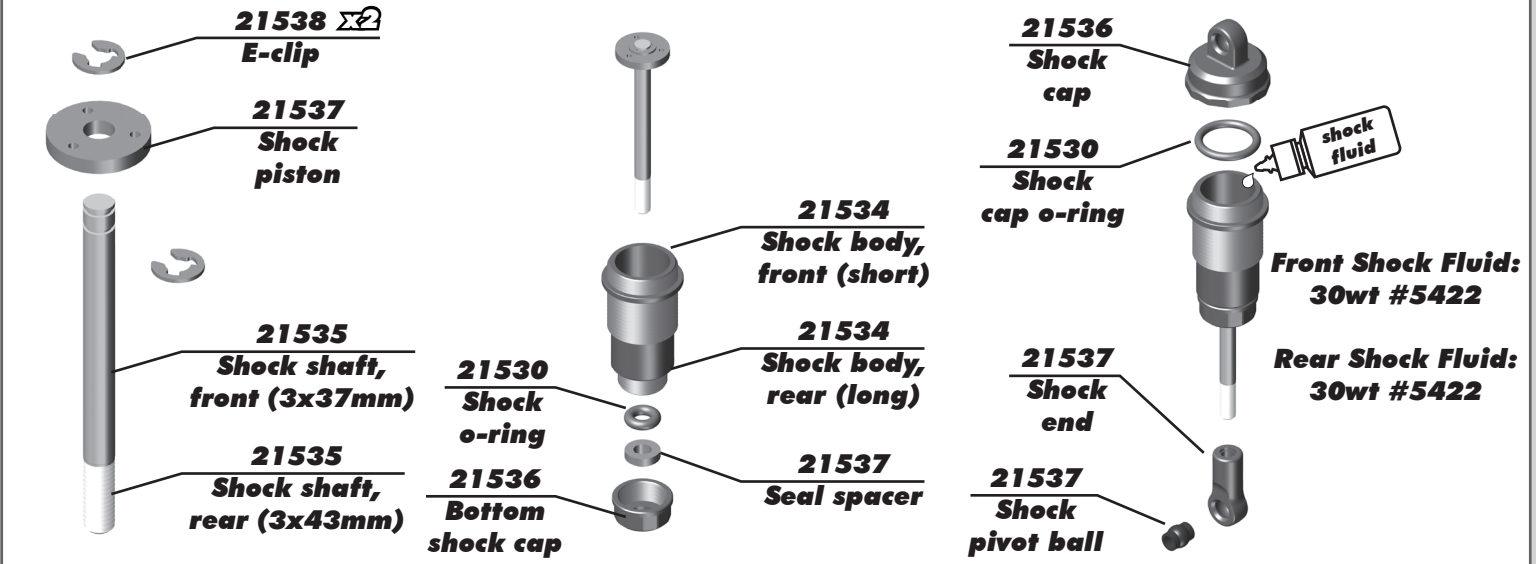
Orient the flange to the left throughout the car. It indicates which end has the left hand threads!

Rear Camber Turnbuckle
23.25mm

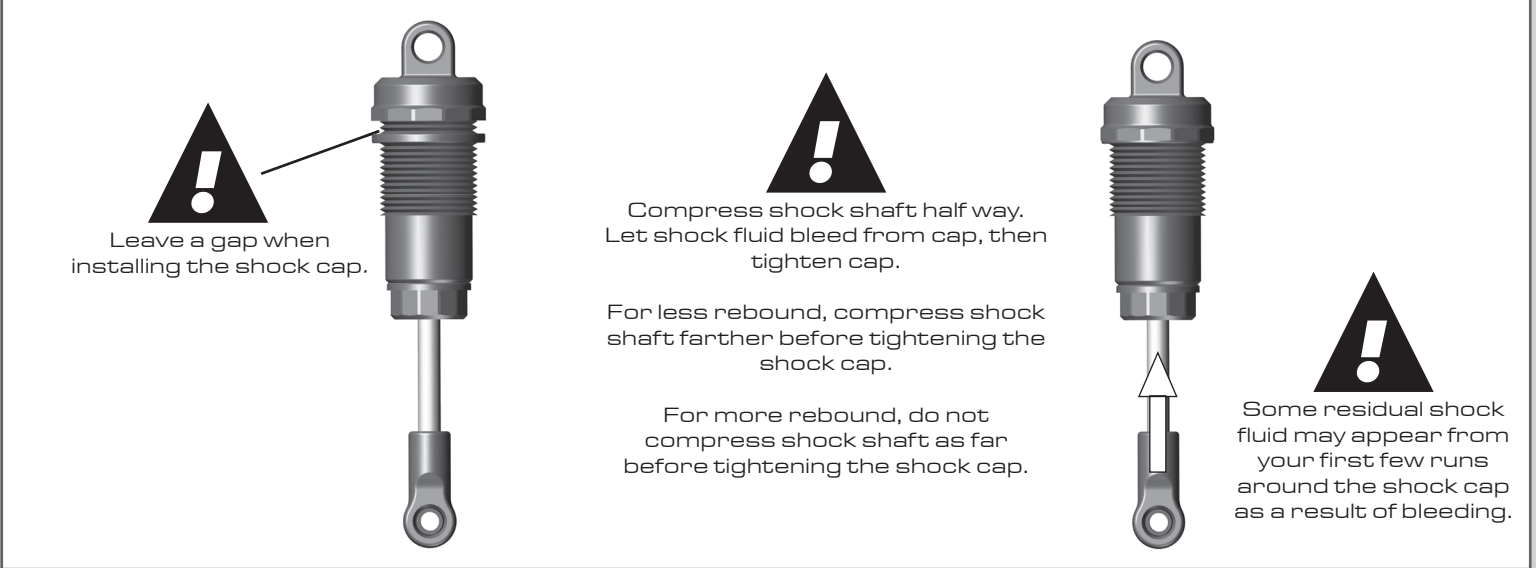


Build x2 (right and left side)

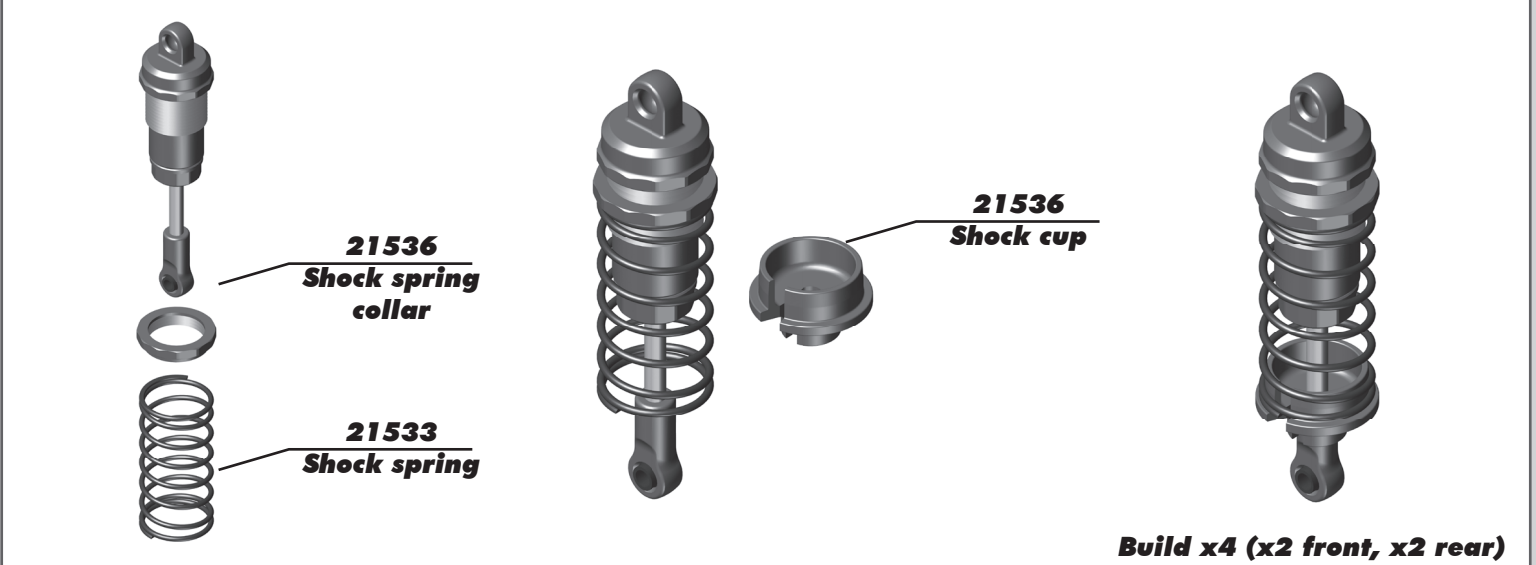
:: Step 25



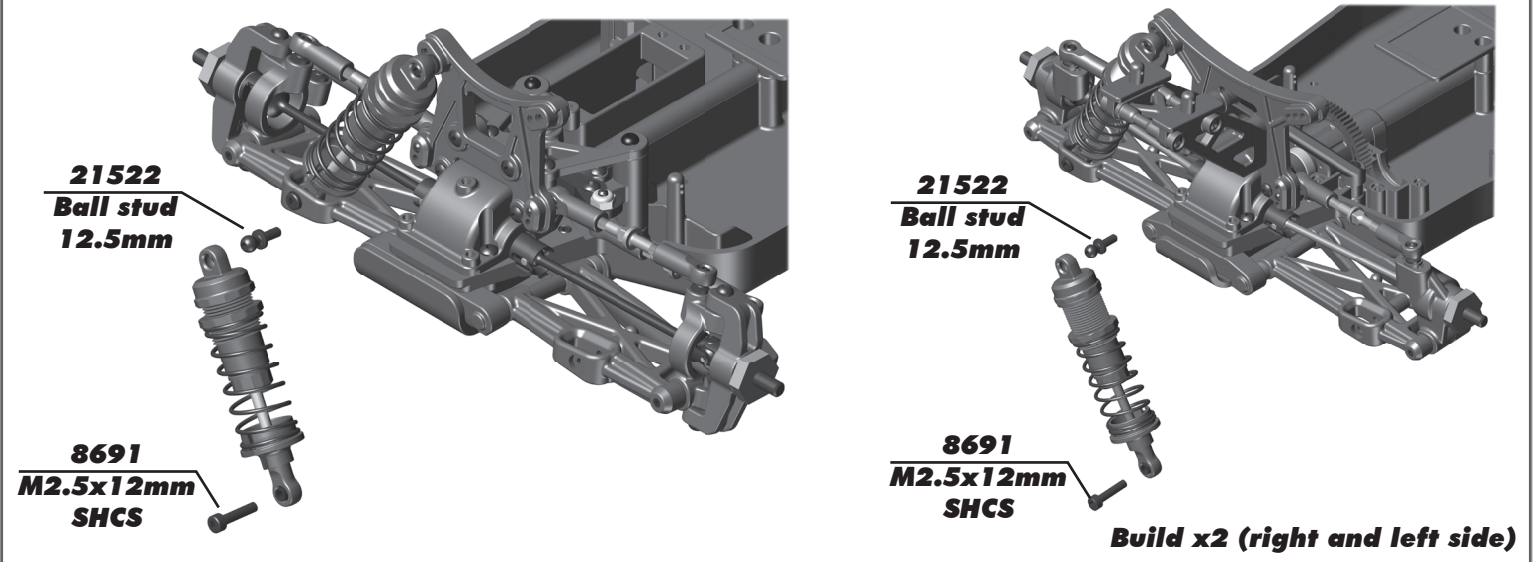
:: Step 26



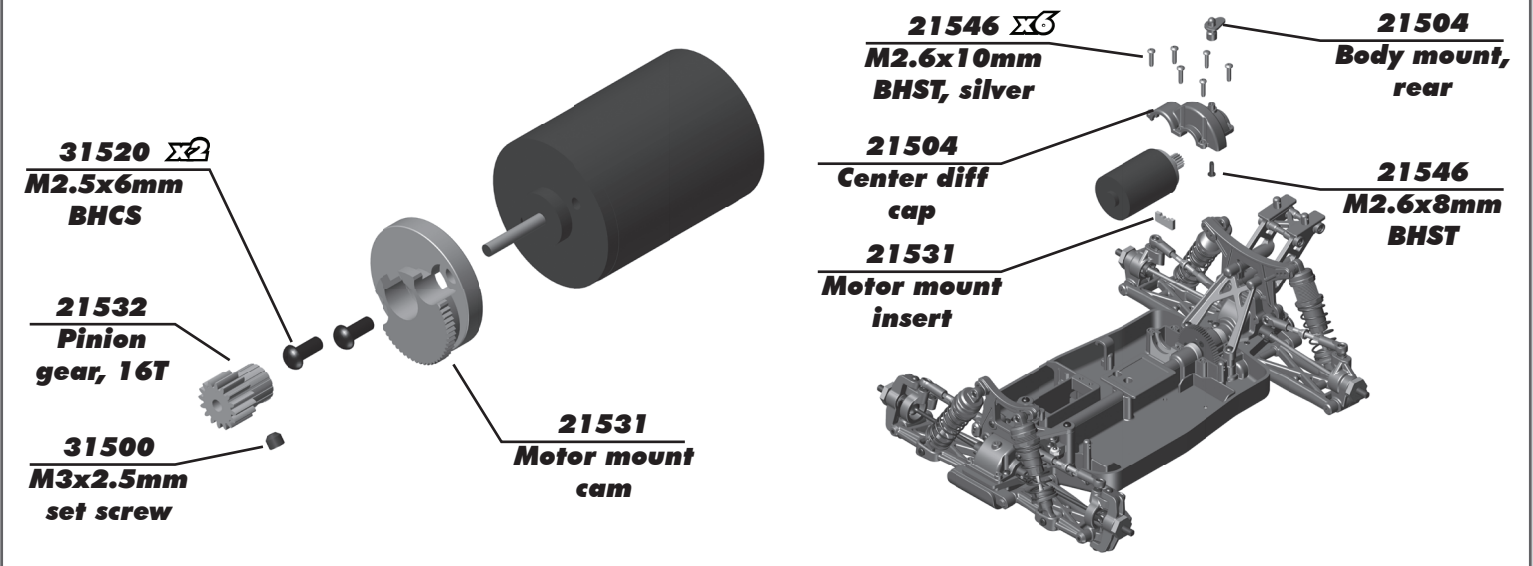
:: Step 27



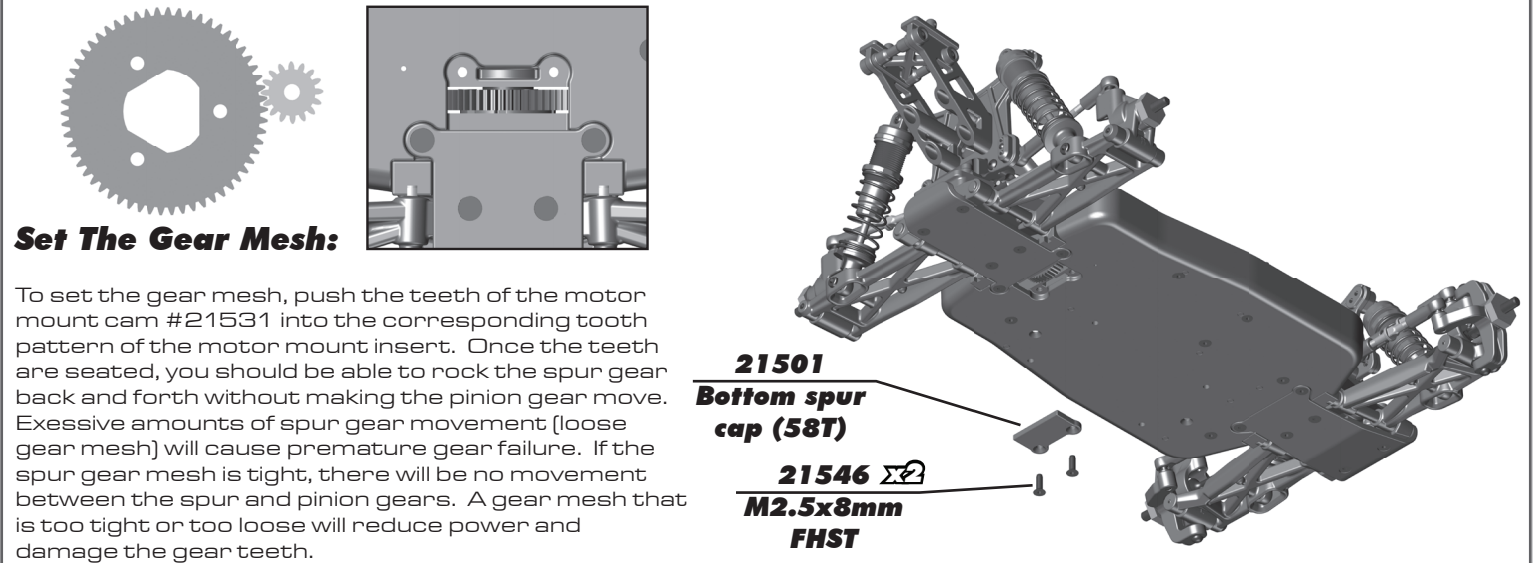
:: Step 28



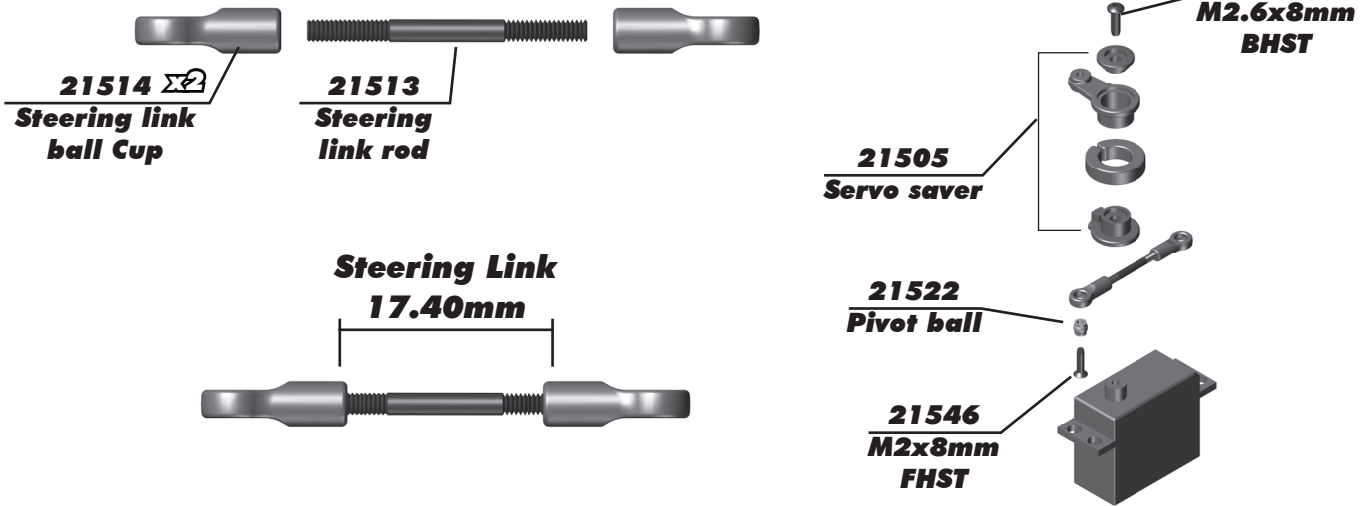
:: Step 29



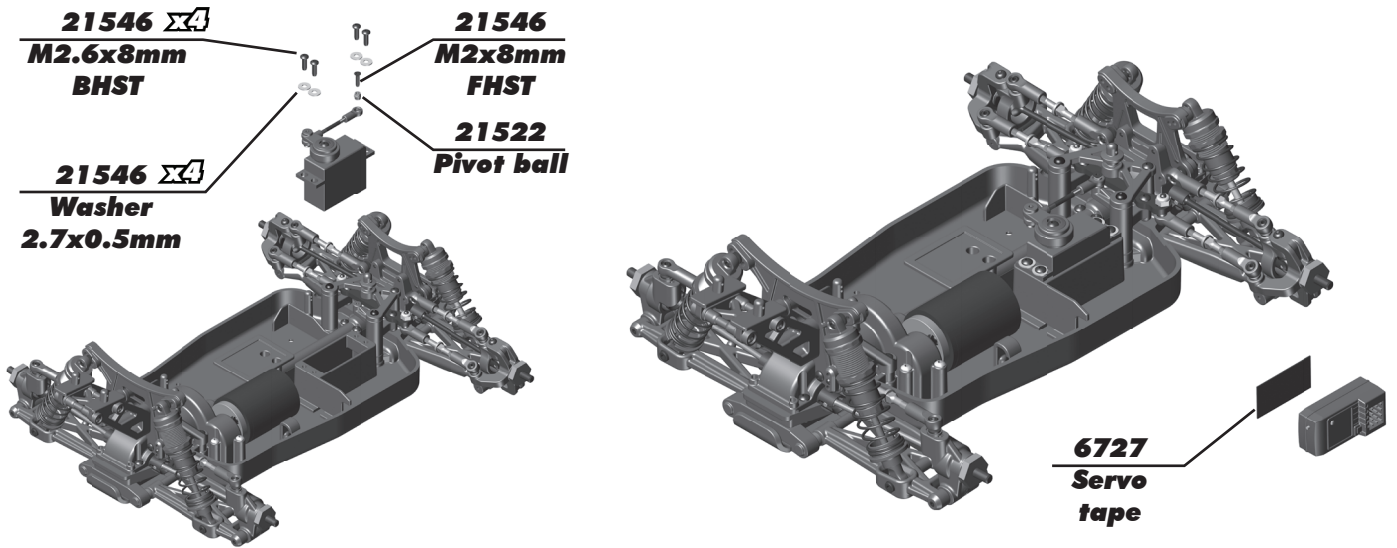
:: Step 30



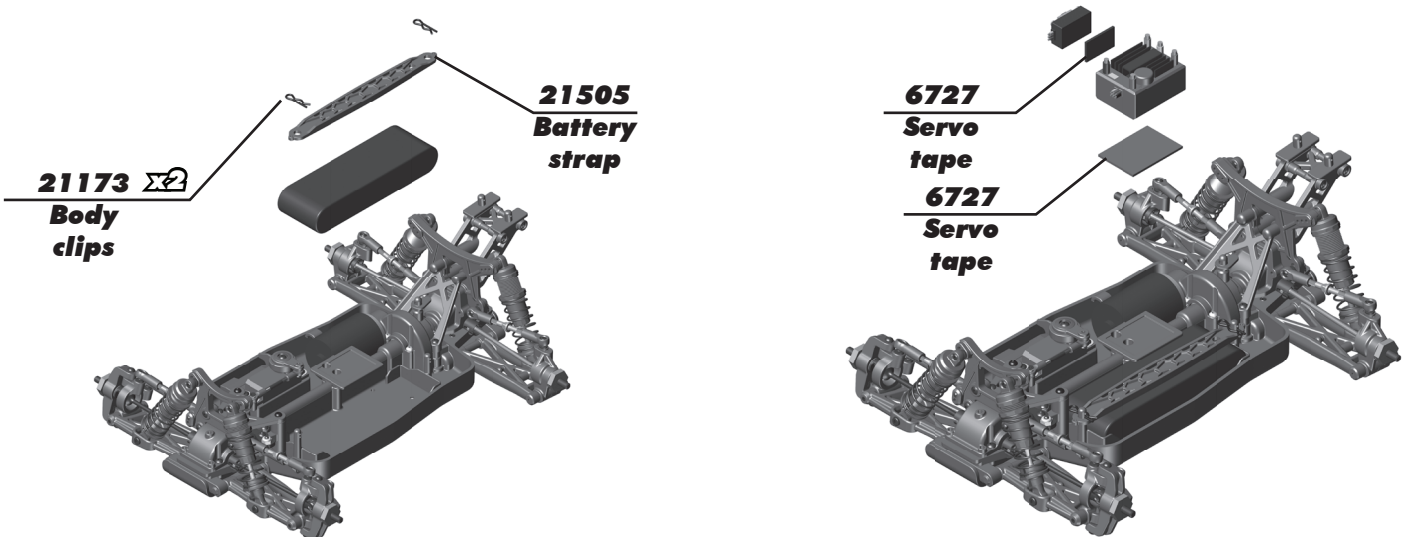
:: Step 31



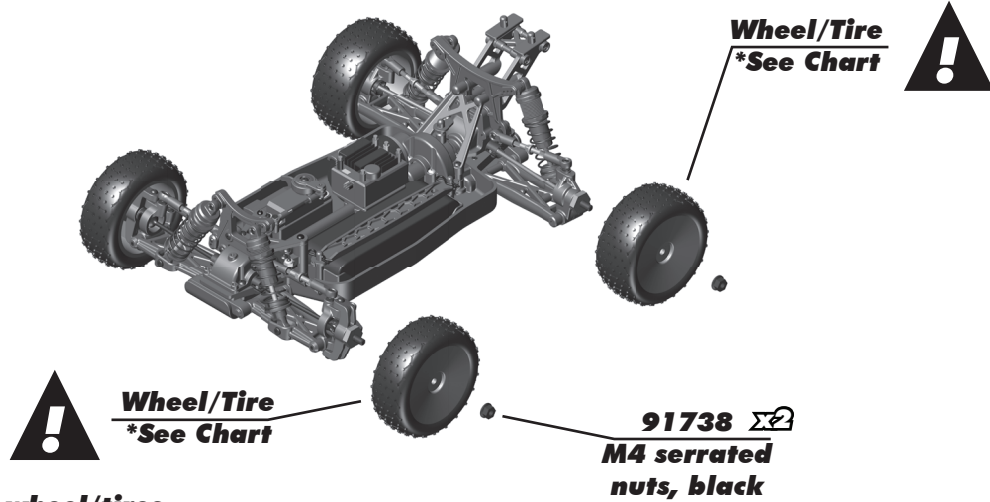
:: Step 32



:: Step 33



:: Step 34

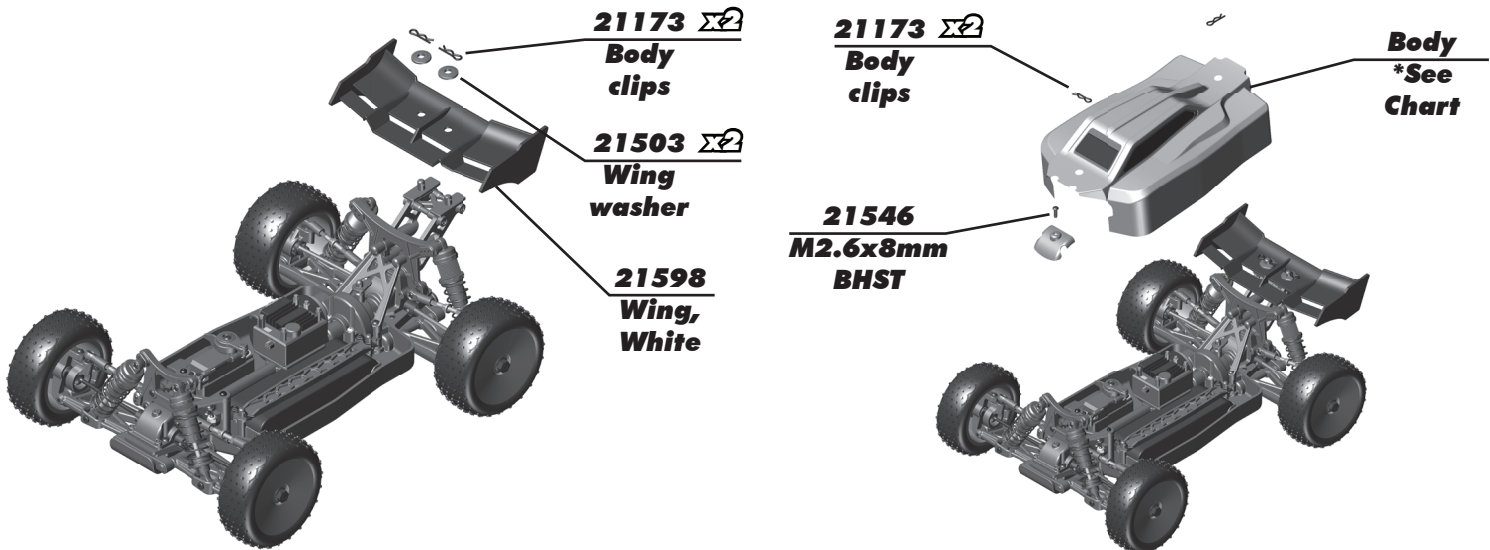


Install x2 narrow front wheel/tires
Install x2 wide rear wheel/tires

:: Step 35

RTR Part Number	Wheel and Tire		Body
	Front	Rear	
#20175 Reflex 14B	#21539 Mini Pin, Narrow, Black, Mounted	#21540 Mini Pin, Wide, Black, Mounted	#21541 Reflex 14B body, clear
#20176 Reflex 14T	#21540 Mini Pin, Wide, Black, Mounted		#21543 Reflex 14T body, clear
#20179 Reflex 14B, Gama	#21595 Mini Pin, Narrow, White, Mounted	#21596 Mini Pin, Wide, White, Mounted	#21594 Reflex 14B body, Gamma, clear
#21597 Reflex 14B, Ongaro	#21595 Mini Pin, Narrow, White, Mounted	#21596 Mini Pin, Wide, White, Mounted	#21594 Reflex 14B body, Gamma, clear

:: Step 36



FIND IT ON ASSOCIATEDELECTRICS.COM

CARS & TRUCKS



Vehicle Spare Parts

GO TO:

[AssociatedElectrics.com](#) →
[Team Associated tab](#) →
[Cars & Trucks](#) →
[Scroll to your vehicle](#) →
[Parts & Accessories link](#)

SETUP SHEETS & MANUALS



Setups and Manuals

GO TO:

[AssociatedElectrics.com](#) →
[Team Associated tab](#) →
[Manuals & Setups](#) →
[Scroll to your vehicle](#)

A-TEAM APPS



Tuning Guides & Tips

GO TO:

[AssociatedElectrics.com](#) →
[Support](#) →
[A-Team Apps](#)



Associated Electrics, Inc.

21062 Bake Parkway Lake Forest, CA 92630 USA

call: (949) 544-7500 - fax: (949) 544-7501

**Check out the following web sites for all of our kits, current products,
new releases, setup help, tips, and racing info!**

www.AssociatedElectrics.com

FOLLOW US ON SOCIAL MEDIA



TeamAssociated
ReedyPower
ElementRC



@TeamAssociatedRC
@ReedyPower
@Element_RC



@Team_Associated
@ReedyPower