

**RC10 SC6.2 TEAM KIT**



**RC10 SC6.4 TEAM KIT**



# RC10SC6.2 vs. RC10SC6.4 Comparison



Updated 13mm shocks, pistons and springs.  
SC6.4 offers: 13mm shocks.  
SC6.2 offers: 12mm shocks.



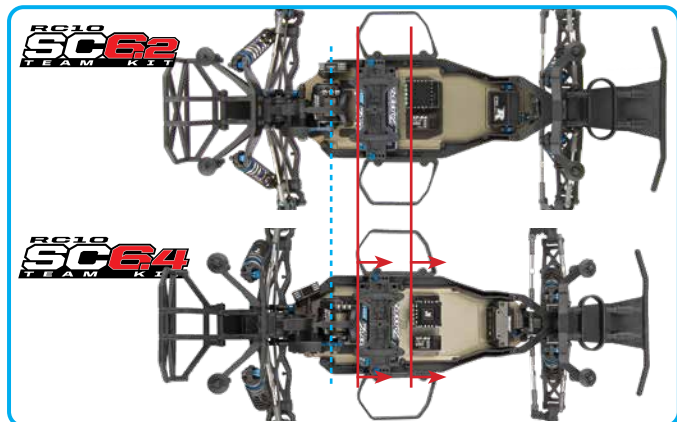
New 22.5 kickup and bulkhead options.  
SC6.4 offers: 20.0, 22.5 and 25.0.  
SC6.2 offers: 25.0 and 30.0.



Updated CVA driveshafts, C and D mounts.  
SC6.4 offers: 92.5mm shafts and wide C and D mounts.  
SC6.2 offers: 91mm shafts and narrow C and D mounts.



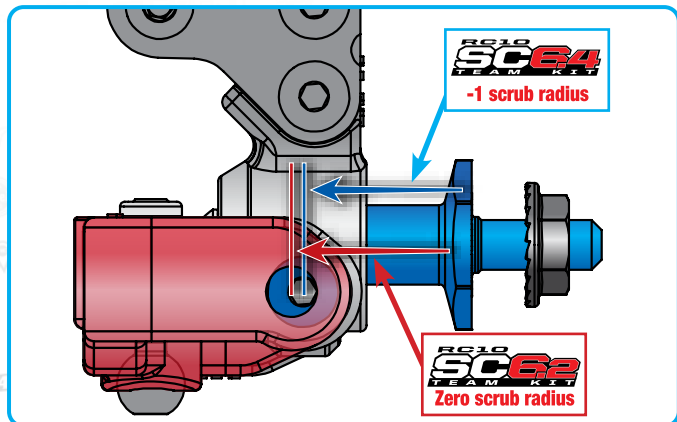
Updated top plate and ballstud mount



ESC tray and battery location. SC6.4 has weight moved forward.



New adjustable height steering system.  
SC6.2 is not adjustable



-1 caster/steering blocks move the pivot closer to the wheel center for smoother steering



Updated fan mounts and fan location