

For Immediate Release: September 6, 2022

RC10B74.2D Team Kit

#90037



ELECTRIC ▪ OFF ROAD ▪ 1:10 SCALE ▪ 4 WHEEL DRIVE ▪ KIT

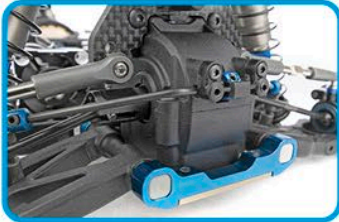
Champions by Design

As tires, motors, batteries, and tracks evolve, Team Associated adapts and improves with every iteration of the RC10. The engineers at Team Associated's Area 51 set out to extract more performance from the RC10B74 4WD buggy platform with the introduction of the RC10B74.2 and RC10B74.2D. Our goals were to reduce overall weight, lower the center of gravity, and improve jump and bump handling. We exceeded expectations. We modified the differentials to improve rolling speed through turns and increase stability on landings, allowing the buggy to corner faster on high-grip carpet and clay tracks.

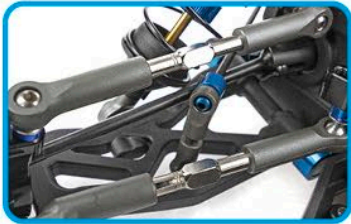
The RC10B74.2 and RC10B74.2D introduce molded gearboxes front and rear, which lower the center of gravity by removing weight from high points of the car. The latest 13mm big bore shock technology from Team Associated is included, taking the RC10B74.2 to the next level in jump and bump handling performance. The introduction of gull wing front suspension arms and the inclusion of the LTC gear sets for the differentials make the RC10B74.2 platform easier and more predictable to drive on any track condition.

HIGHLIGHTS

RC10 B74.2D TEAM KIT



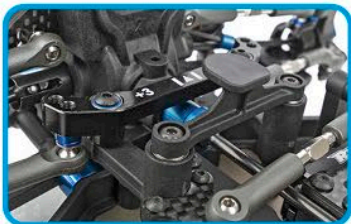
New lightweight gearboxes front and rear. Two fixed height front gearboxes and one rear gear-box with adjustable inserts.



New larger 3.5mm turnbuckles with updated rod end style ball-cups for durability and to reduce bind in the suspension



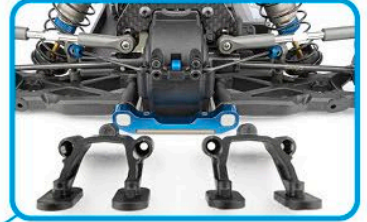
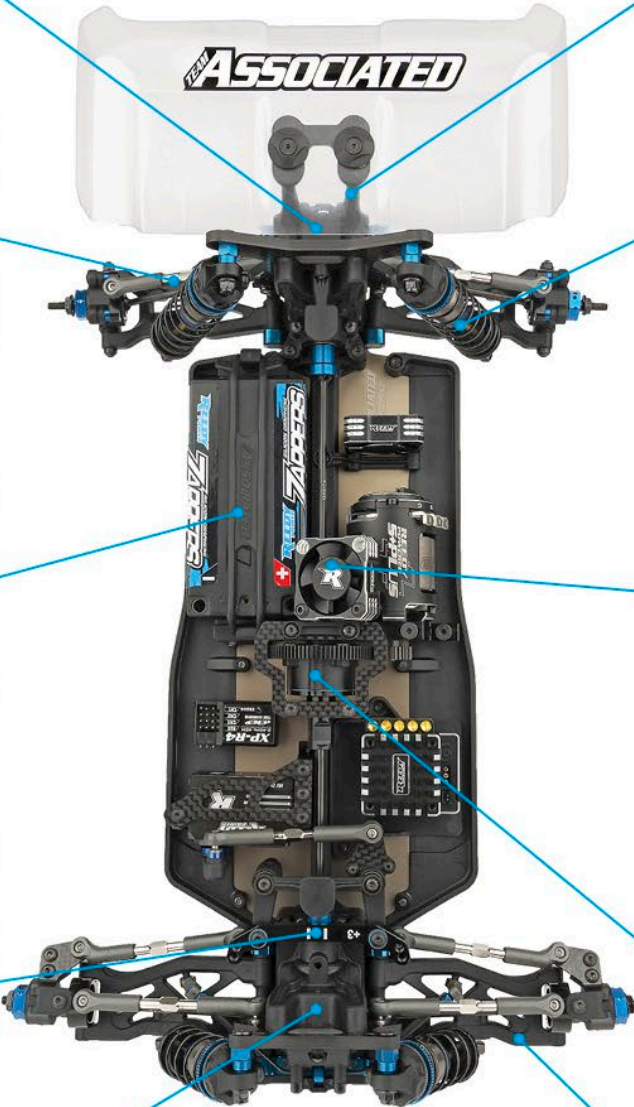
New battery hold-down system uses inserts to adjust weight bias. O-ring battery strap with pull tabs.



+3mm aluminum steering rack for optimized bump steer at low ride heights



LTC differential gear sets help reduce binding and deliver more predictable power



New -2mm wing mounts for use with slicks and low-profile carpet tires to further lower the center of gravity



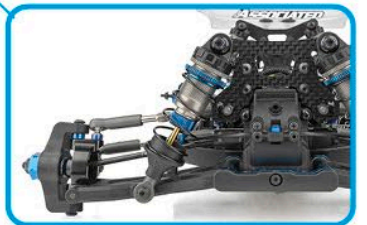
New 13mm big-bore threaded aluminum shocks and springs with machined shock pistons for improved handling



New center bulkhead fan mount that mounts the fan above the motor for better cooling performance



Center differential with 72T and 78T spur gear and 200,000 CST silicone diff fluid



New gull wing front suspension arms and mating shock tower for lower center of gravity and better steering predictability

Due to ongoing R&D, photos may not match final kit. Vehicle shown on these pages equipped with items NOT included in kit: Reedy motor, battery, ESC, servo, receiver, wheels, tires, and pinion gear. Assembly and painting required.

MORE FEATURES

- New lightweight molded gearboxes front and rear: Two fixed height front gearboxes allowing 0 and +2mm diff height options. One rear gearbox with RC10B6-style inserts allowing 0, +1, +2, and +3mm diff height options.
- New 13mm big-bore threaded aluminum shocks and springs with machined shock pistons for improved bump and jump handling
- New gull wing front suspension arms and mating shock tower for lower center of gravity and better steering predictability
- LTC differential gear sets are included. They reduce binding under power, giving more predictable power delivery.
- New battery hold-down system uses inserts to adjust weight bias. O-ring style battery strap with pull tabs.
- New larger 3.5mm turnbuckles with updated rod end style ballcups to increase durability and reduce bind in the suspension
- New center bulkhead fan mount that mounts the fan above the motor for better cooling performance
- New -2mm wing mounts for use with slicks and low-profile carpet tires to further lower the center of gravity
- +3mm aluminum steering rack for optimized bump steer at low ride heights
- 66mm Rear CVA drive shafts and axles for more on-power traction and more predictable driving feel
- **For the RC10B74.2D:** Center differential with 72T and 78T spur gear and 200,000 CST silicone diff fluid

SPECIFICATIONS

Scale	1:10
Power	Electric
Length (with wing)	395mm (1.55")
Width	Varies
Weight (chassis only)	885g (1.95lbs)
Wheelbase	280.5-285.5mm (11.0-11.24")
Internal Gear Ratio	2.50:1

Final width and weight will vary based on electronics, tire configuration, wing position, and vehicle setup.

ITEMS NEEDED TO COMPLETE

- 1:10 scale electric motor (Reedy S-Plus 13.5T #27403)
- Electronic speed control (Reedy Blackbox 510R #27004)
- 7.4V-7.6V 2S LiPo with "shorty" battery dimensions (standard or low-profile height) (Reedy Zappers SG5 #27383)
- Battery charger (for battery chosen above) (Reedy #27203 1416-C2L Dual AC/DC Competition Balance Charger)
- 2-channel surface transmitter
- 2-channel receiver
- Steering servo (Reedy RT1705A #27119)
- Lexan™-specific spray paint for body
- 1:10 scale off-road buggy wheels and tires
- 4x AA batteries (Reedy #302)
- Other helpful items: Silicone Shock Fluid, Silicone Diff Fluid, Body Scissors (#1737), Reamer/Hole Punch, FT Wrench Set (#1519), Hobby Knife, Needle Nose Pliers, Wire Cutters, Soldering Iron, Calipers or Precision Ruler

CATALOG INFORMATION

UPC	Part No.	Description	MAP	MSRP	Available
784695900370	90037	RC10B74.2D Team Kit	\$529.99	\$775.99	September 2022

Download all zipped photos here: <https://bit.ly/3Tm8bXk> (16.9MB). Link is active for 30 days.



21062 Bake Pkwy
Lake Forest CA 92630
www.AssociatedElectrics.com

