

RC10 B6.3 TEAM KIT



RC10 B6.4 TEAM KIT



RC10B6.3 vs. RC10B6.4 Comparison



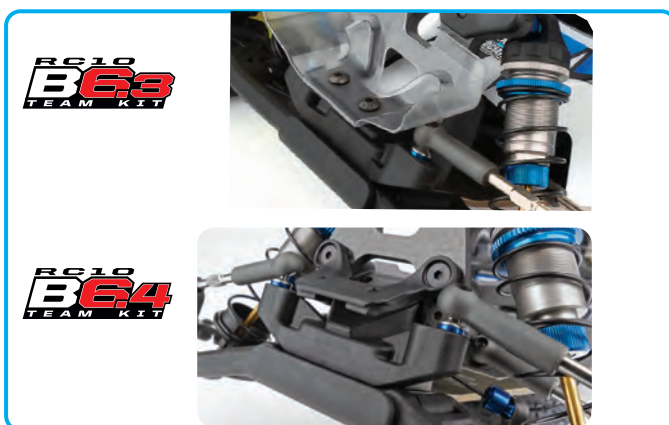
Updated 13mm shocks, pistons and springs.
B6.4 offers: 13mm shocks.
B6.3 offers: 12mm shocks.



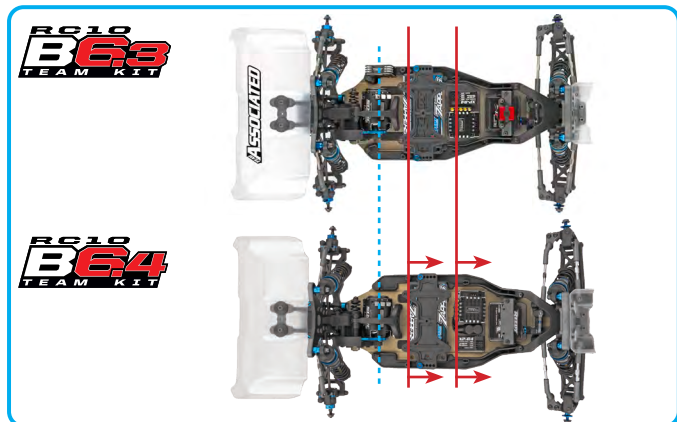
New 22.5 kickup and bulkhead options.
B6.4 offers: 20.0, 22.5 and 25.0.
B6.3 offers: 25.0 and 30.0.



Updated new body design.



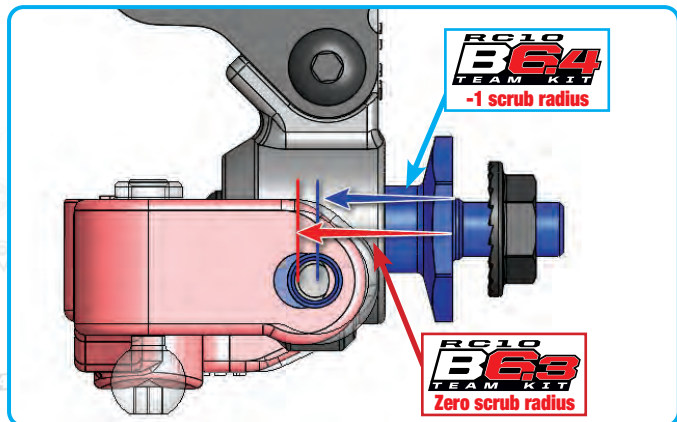
Updated top plate and ballstud mount



New chassis profile and ESC tray location. B6.4 has weight moved forward.



New adjustable height steering system.
B6.3 is not adjustable



-1 caster/steering blocks move the pivot closer to the wheel center for smoother steering



Updated fan mounts and fan location