

**PRO  
SC10**

*Nothrup Fabrications*  
**TROPHY RAT**

**PRO2  
SC10**

**Reflex**  
OFF ROAD BUGGY **DB10**

- #70015 PRO SC10 RJ/Rockstar Energy RTR
- #70016 PRO SC10 AE Team RTR
- #70020 PRO2 SC10 RTR
- #70021 Method PRO2 SC10 RTR
- #70019 Trophy Rat RTR
- #90040 Reflex DB10 RTR

*Ready-To-Run*

**1:10 Scale Electric 2WD Off Road Race Truck Manual & Catalog**

**TEAM ASSOCIATED**



Designed in California, USA

## :: Introduction

Thank you for purchasing this Team Associated product. This assembly manual contains instructions and tips for building and maintaining your new RTR. Please take a moment to read through this manual to help familiarize yourself with these steps. We are continually changing and improving our designs; therefore, actual parts may appear slightly different than in the illustrations. New parts will be noted on supplementary sheets.

## :: KIT Features

- Based off the 9-time R.O.A.R. National Champion short-course race truck platform
- 2.4GHz 2-channel radio system with new DVC receiver
- High-torque, metal-gear Reedy Servo with spring style servo saver
- Powerful Reedy 3300kV Brushless motor
- Water-resistant high-power Reedy brushless speed control with T-plug connector and LiPo low voltage cutoff
- Factory finished off road body
- Water-resistant enclosed receiver box
- Aluminum 12mm "big bore" coil-over shock absorbers
- 2.6:1 ratio gearbox with heavy-duty sealed gear differential and externally adjustable V2 slipper clutch
- Realistic Method Wheels with 12mm front and rear hex-drive nuts
- Durable and light weight aluminum top shaft
- Low center-of-gravity molded composite chassis with hook and loop battery straps that accommodate for both NiMh and 2/3s LiPo battery packs
- Metric hardware throughout
- 14 precision rubber sealed ball bearings
- Durable front and rear body mounts
- Rugged steel turnbuckles for adjustable camber and front toe-in
- Fully adjustable suspension geometry
- Vertical ball ends for roll center adjustments, front and rear
- Rear CVA drive shafts for more reliability.
- Many Factory Team options already available!

## :: Additional

Your new vehicle comes assembled. The following items are needed for completion.

- 6-cell NiMh or 2-3s LiPo battery
- Suitable battery charger
- (4) AA batteries

Tools included: • 1.5mm, 2.0mm, 2.5mm Wrenches

## :: Other Helpful Items

- Silicone Shock Fluid (Refer to catalog for complete listings)
- Silicone Diff Fluid (Refer to catalog for complete listings)
- Body Scissors (AE Part # 1737)
- Reamer / Hole Punch (#1499)
- Shock Pliers (#1675)
- Wire Cutters
- FT Hex/Nut Wrenches (AE Part # 1650)
- Needle Nose Pliers
- Hobby Knife
- Soldering Iron
- Calipers or a Precision Ruler
- Green Slime shock lube (AE Part # 1105)
- FT Turnbuckle Wrench (#1114)
- FT Universal Tire Balancer (#1498)













**Associated Electrics, Inc.**  
21062 Bake Pkwy.  
Lake Forest, CA 92630



**Customer Service**  
Tel: 949.544.7500  
Fax: 949.544.7501

**:: Hardware - 1:1 Scale View**

**Button Head (bhcs)**

	<b>2x4mm (31510)</b> <b>Aluminum (8545)</b>
	<b>2.5x8mm (31521)</b>
	<b>3x5mm (31530)</b>
	<b>3x8mm (31532)</b> <b>Aluminum (8552)</b>
	<b>3x10mm (25211)</b> <b>Aluminum (8554)</b>
	<b>3x12mm (89202)</b>
	<b>3x14mm (25187)</b>
	<b>3x16mm (89203)</b>
	<b>3x22mm (25189)</b>
	<b>3x24mm (89204)</b>
	<b>3x26mm (89205)</b>
	<b>3x30mm (91478)</b>






**Cap Head (shcs)**

	<b>2.5 x 14mm (71032)</b>
--	---------------------------

**Clips**

	<b>E-clip 1/8 (6299)</b>
--	--------------------------






**Flat Head (fhcs)**

	<b>3x8mm (25201)</b> <b>Aluminum (8553)</b>
	<b>3x10mm (25202)</b> <b>Aluminum (8555)</b>
	<b>3x12mm (25203)</b> <b>Aluminum (8556)</b>
	<b>3x14mm (89208)</b> <b>Aluminum (8567)</b>
	<b>3x16mm (25204)</b>





**Set Screws**

	<b>3x3mm (25225)</b>
---	----------------------

**Shims and Washers**

	<b>Servo Mount Washer (7337)</b> <b>(.250 x .125 x .815)</b>
	<b>FT Ballstud Washer, Aluminum</b> <b>(0.5mm) (31381)</b>
	<b>FT Ballstud Washer, Aluminum</b> <b>(1mm) (31382)</b>
	<b>FT Ballstud Washer, Aluminum</b> <b>(2mm) (31383)</b>
	<b>3x6x0.5mm Washer (7164)</b>


**Ball Bearings**

	<b>3x7x3mm (91475)</b>
	<b>5x10x4mm (25237)</b>
	<b>6x13x5 (91476)</b>
	<b>10x15x4 (25616)</b>

**Ballstuds**

	<b>HD 6mm (91047)</b> <b>Ti Nitride HD 6mm (91118)</b>
	<b>HD 8mm (91048)</b> <b>Ti Nitride HD 8mm (91119)</b>
	<b>HD 10mm (91049)</b> <b>Ti Nitride HD 10mm (91120)</b>

**Nuts (lock/plain)**

	<b>M3 Nut (91477)</b>
	<b>M3 Alum. Locknut, Blue (31550)</b>
	<b>M3 Locknut, Black (25215)</b>
	<b>M3 Locknut w/Flange (25612)</b>
	<b>FT 3mm Locknuts, Blue(25392)</b>
	<b>M4 Locknut w/Flange (91148)</b>
	<b>FT M4 Locknuts w/Flange,</b> <b>Blue (31551)</b>

**Notes:**

**:: Table of Contents**

1..... Cover	14.....Gearbox Install
2..... Introduction	15.....Rear Hub and CVA Build
3.....1:1 Hardware "Fold Out"	15 - 16.....Turnbuckles Build
4..... Table of Contents	16 - 18.....Shocks Build
5 - 7.....Quick Start Guide	18 - 20.....Electronics Build
8.....Front Top Plate and Steering Build	20 - 21.....Bumpers and Chassis Braces Build
9 - 10.....Front Suspension Build	22 - 23.....Tires and Body Build
10 - 11.....Rear Suspension Build	23 - 24.....Tuning Tips
11 - 12.....Gear Differential Build	25 - 33.....Catalog
12 - 13.....Gearbox Build	34..... Back Cover
13.....Slipper Build	

**:: Notes**

***This symbol indicates a special note or instruction in the manual.***



***This symbol indicates a Racers Tip.***



***There is a 1:1 hardware foldout page in the front of the manual. To check the size of a part, line up your hardware with the correct drawing until you find the exact size. Each part in the foldout has a number assigned to it for ordering replacement parts.***

**Associated Electrics, Inc.  
21062 Bake Pkwy.  
Lake Forest, CA 92630**



**Customer Service  
Tel: 949.544.7500  
Fax: 949.544.7501**

## :: Quick Start Guide

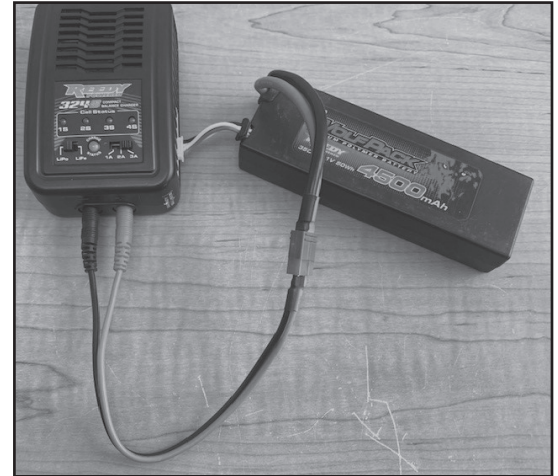
### Battery Charging Steps and Safety:

Remove the battery from the vehicle before charging.  
Place battery on a fire resistant surface.  
Avoid any contact with water or other liquids.  
Be sure to select the correct charging mode for the type of battery you are charging.

**ALWAYS** use a compatible charger for charging your batteries.

**Caution: Never leave the battery unattended while charging. Always disconnect the charger from the power source when finished charging.**

**Caution: Always disconnect the battery when you are finished driving the vehicle.**



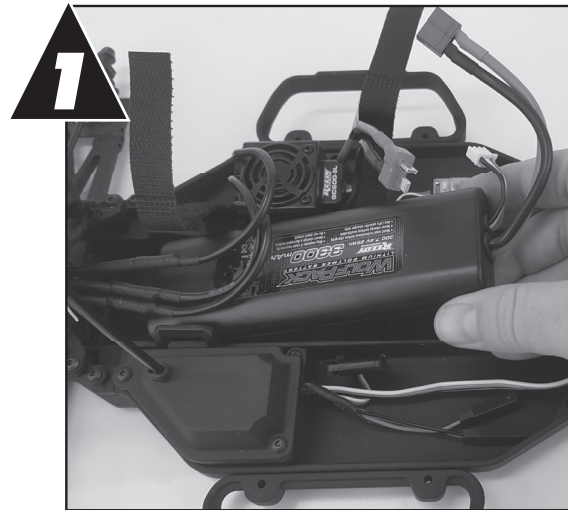
**Peak Detection  
Quick Charger**

## :: Quick Start Guide - (cont.)

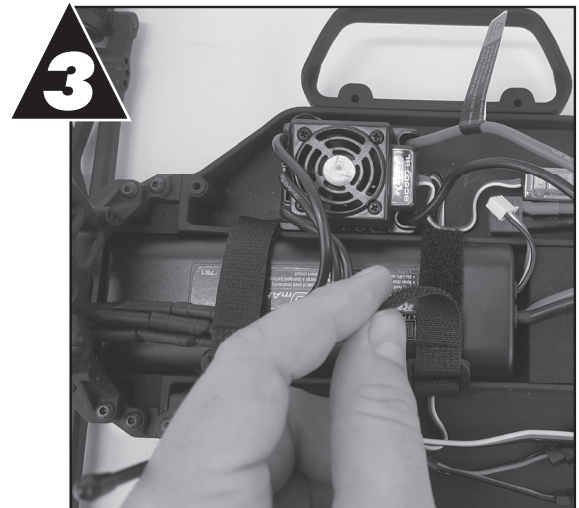
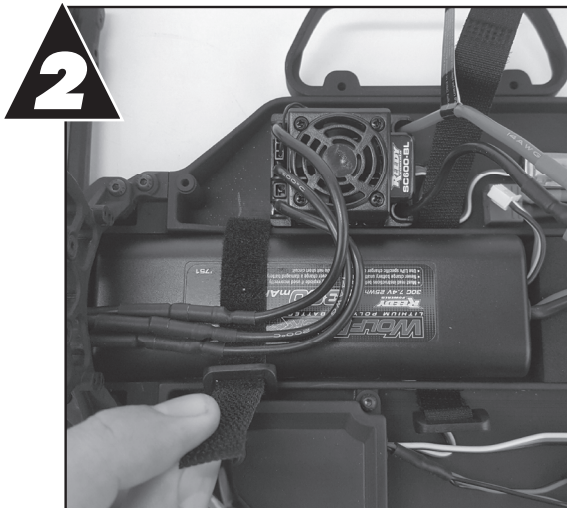
### Battery Installation:

1. Install the battery with the battery wires directed towards the front of the vehicle.
2. Secure the hook and loop strap near the rear shock tower. Pull the strap over the motor wires for added security.
3. Secure the hook and loop strap near the front shock tower.

You may move the foam pad to either the front or the rear of the battery compartment to adjust the weight balance of the vehicle.



## :: Quick Start Guide - (cont.)



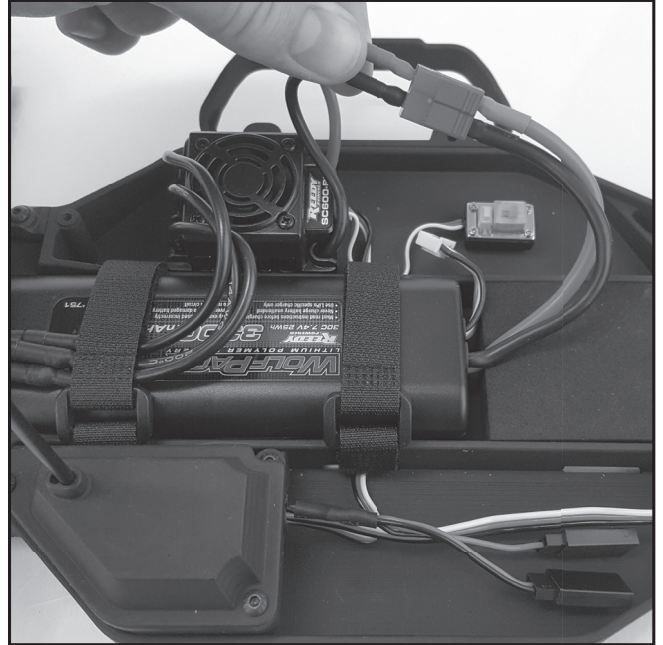
## :: Quick Start Guide - (cont.)

### Battery Notes and Tip:

Connect the battery as shown.  
Disconnect the battery when not in use!

**LiPo:** LiPo batteries (lithium polymer) are high current rechargeable batteries. LiPo batteries offer extended run time and peak performance over NiMH batteries. They require a peak detection charger designed specifically for LiPo batteries. These batteries require special care and handling. LiPo batteries are recommended for advanced users only! **ALWAYS** charge a LiPo battery in LiPo mode.

If using a 3S LiPo battery, use a smaller pinion gear as a starting point (use part # 1335 17T Pinion). This provides the correct gear ratio required for the more powerful 3S LiPo battery. Gearing will depend on the surface you are running on, and the size of the track/area that you are driving in.



## :: Quick Start Guide - (cont.)

### Radio System Tuning and Controls:

**RULE:** Transmitter on First/Vehicle on Second,  
Vehicle off First/ Transmitter off Last!

- 1) Slide the battery cover to remove cover.
- 2) Install alkaline or rechargeable AA size batteries into the battery holder.
- 3) Slide the battery cover back into place making sure it is completely closed and secure.
- 4) Turn the power ON. If the power indicator LED fails to light, check the batteries for insufficient contact or incorrect polarity.



On/Off Switch

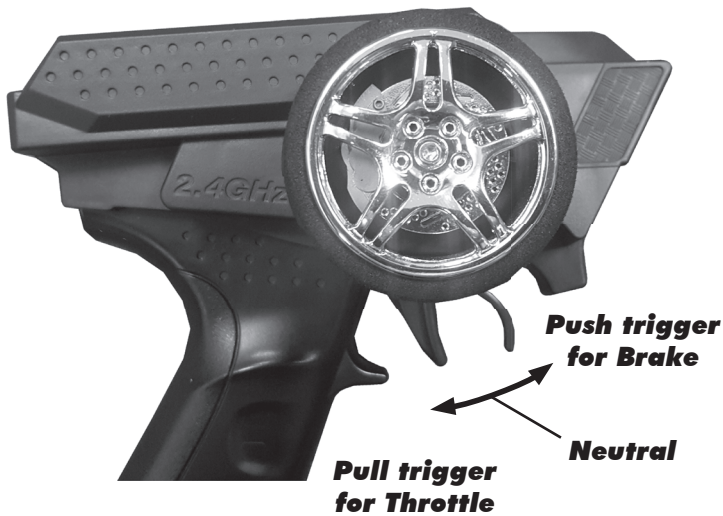
## :: Quick Start Guide - (cont.)

### Radio System Tuning and Controls:

**DO NOT** hold the trigger when turning on the radio.

If using optional battery for transmitter, be sure to plug it in correctly. Plugging in a battery backwards can cause damage.

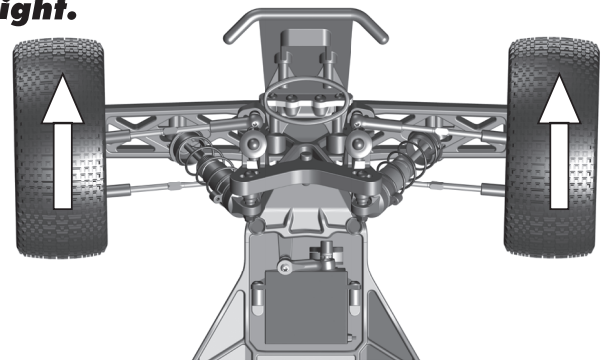
Refer to Radio owners manual for more in-depth instructions on radio operation and functions.



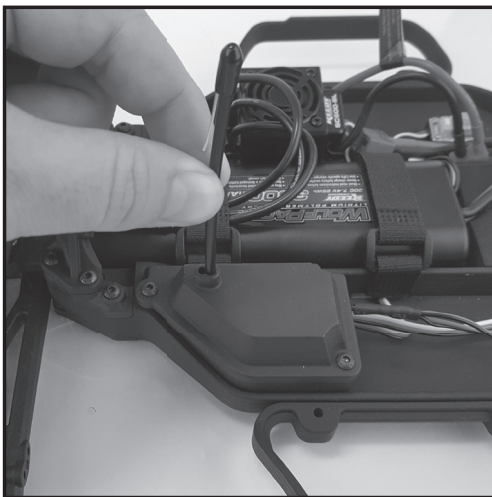
**Throttle set to Neutral!**



**Adjust steering trim so front wheels point straight.**



## :: Quick Start Guide - (cont.)



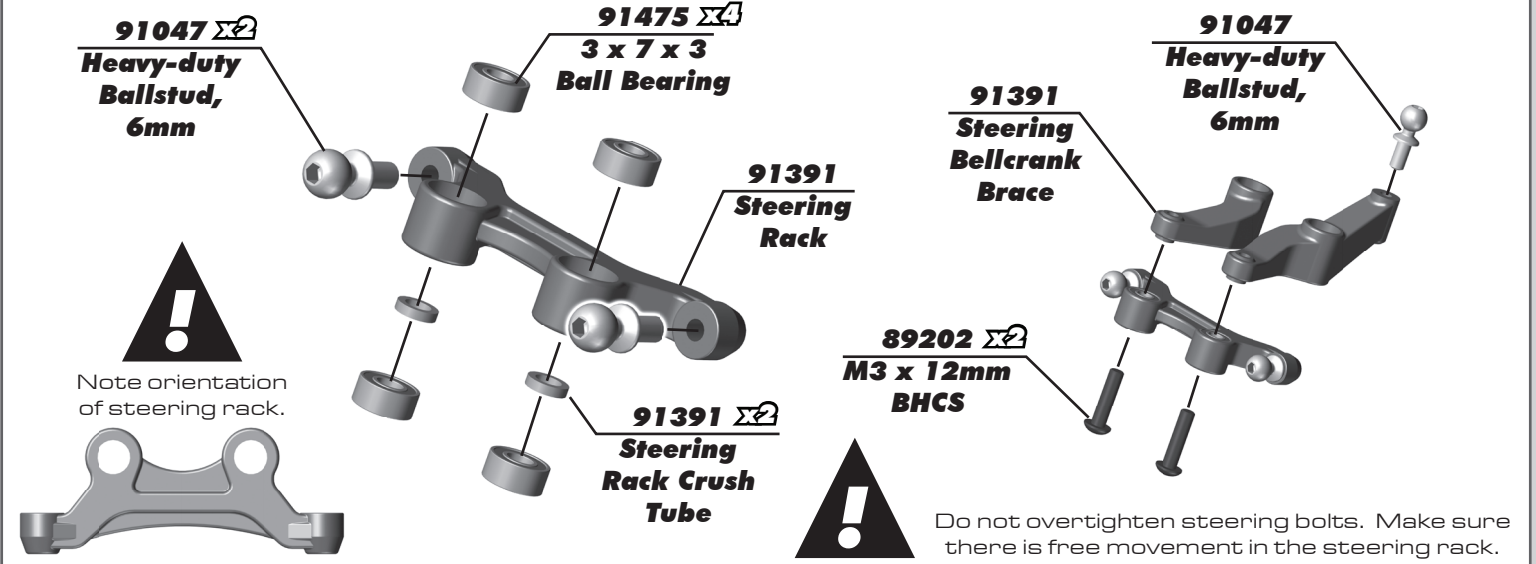
**Install antenna wire through antenna tube, then install antenna tube as shown.**



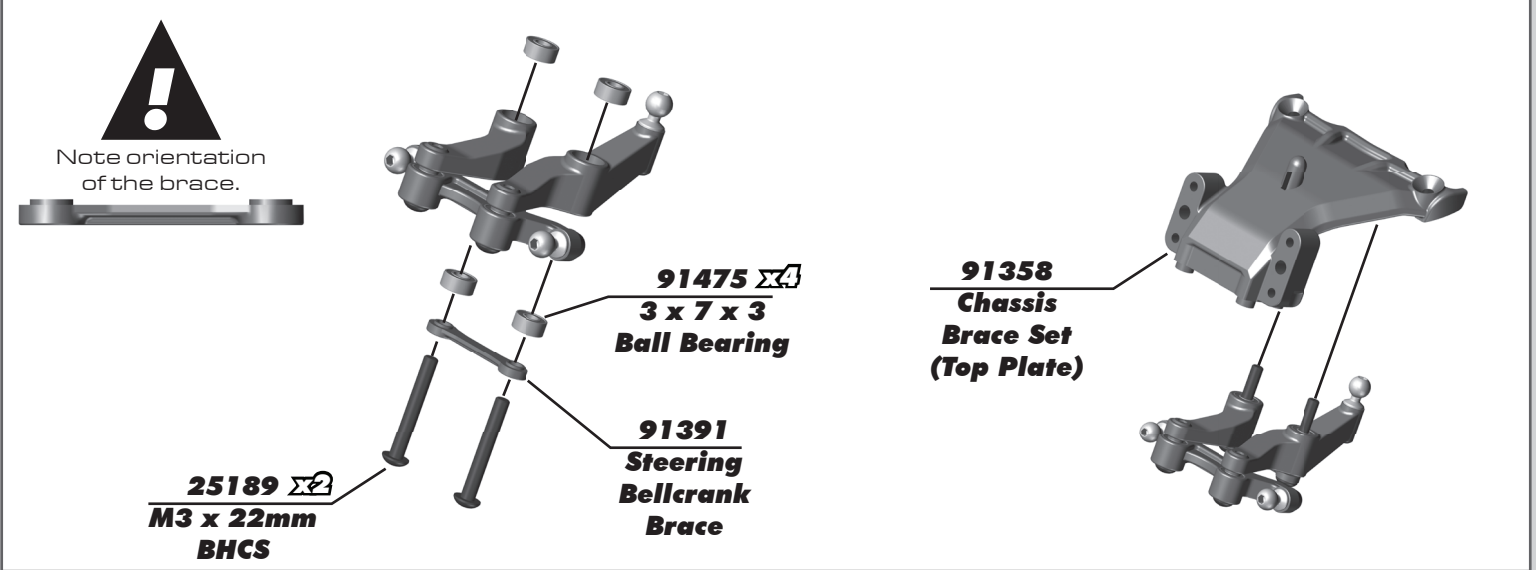
**Plug in the LED wires from your body (Reflex/Trophy Rat) to the receiver as shown.**

**Install body and body clips.  
Ready to go!**

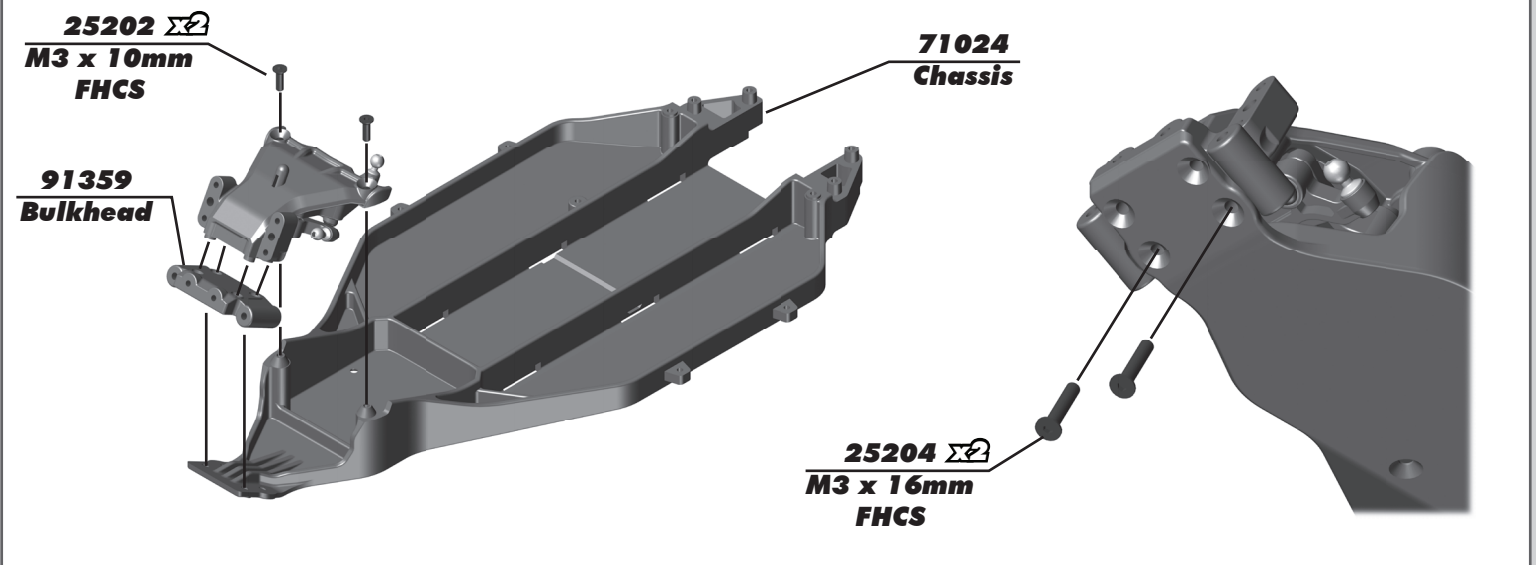
**:: Front Top Plate and Steering Build - Step 1**



**:: Front Top Plate and Steering Build - Step 2**

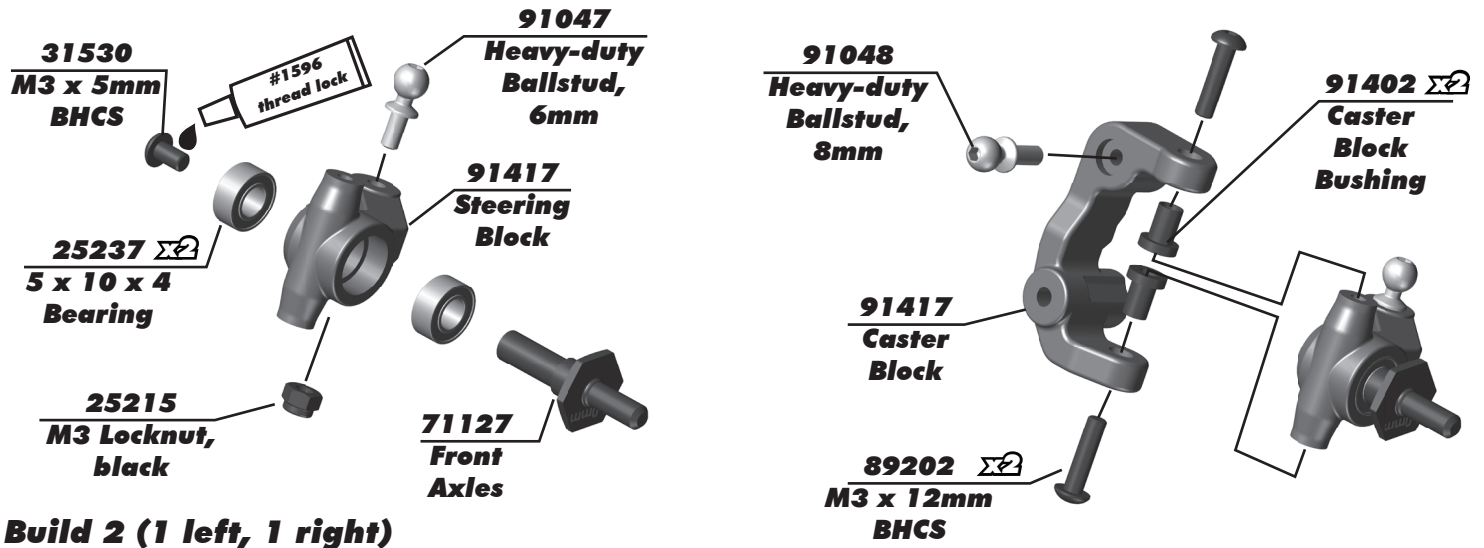


**:: Front Top Plate and Steering Build - Step 3**

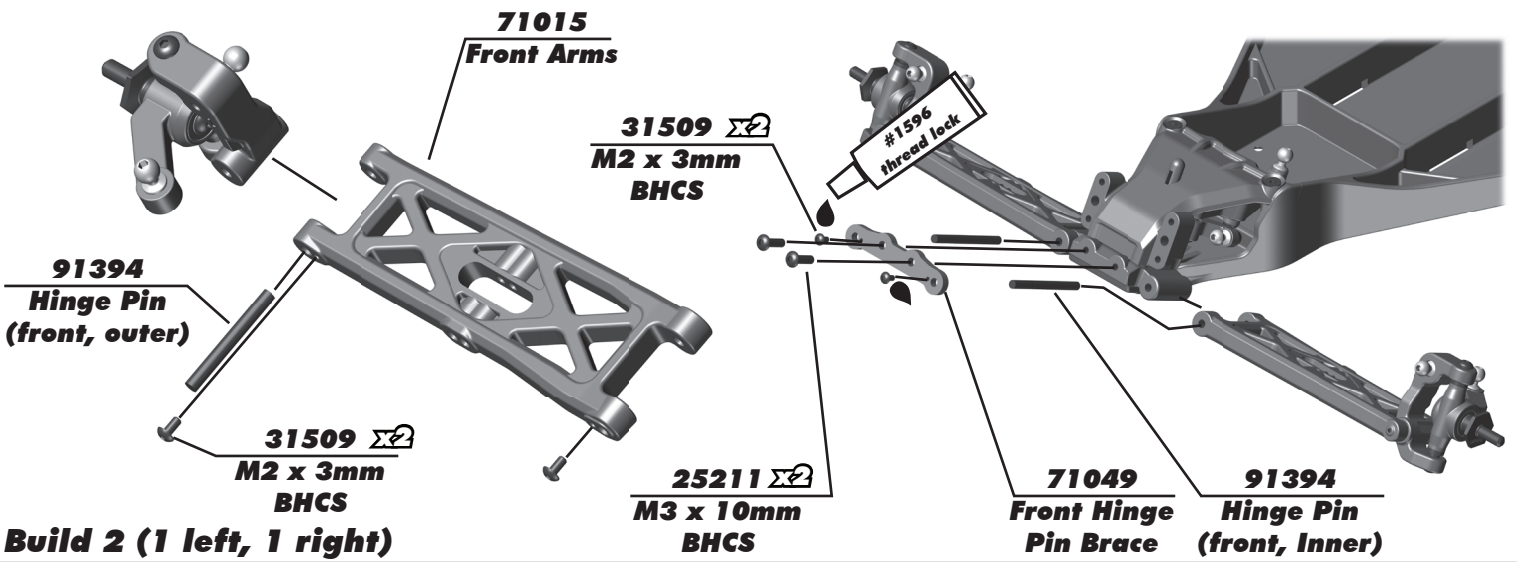




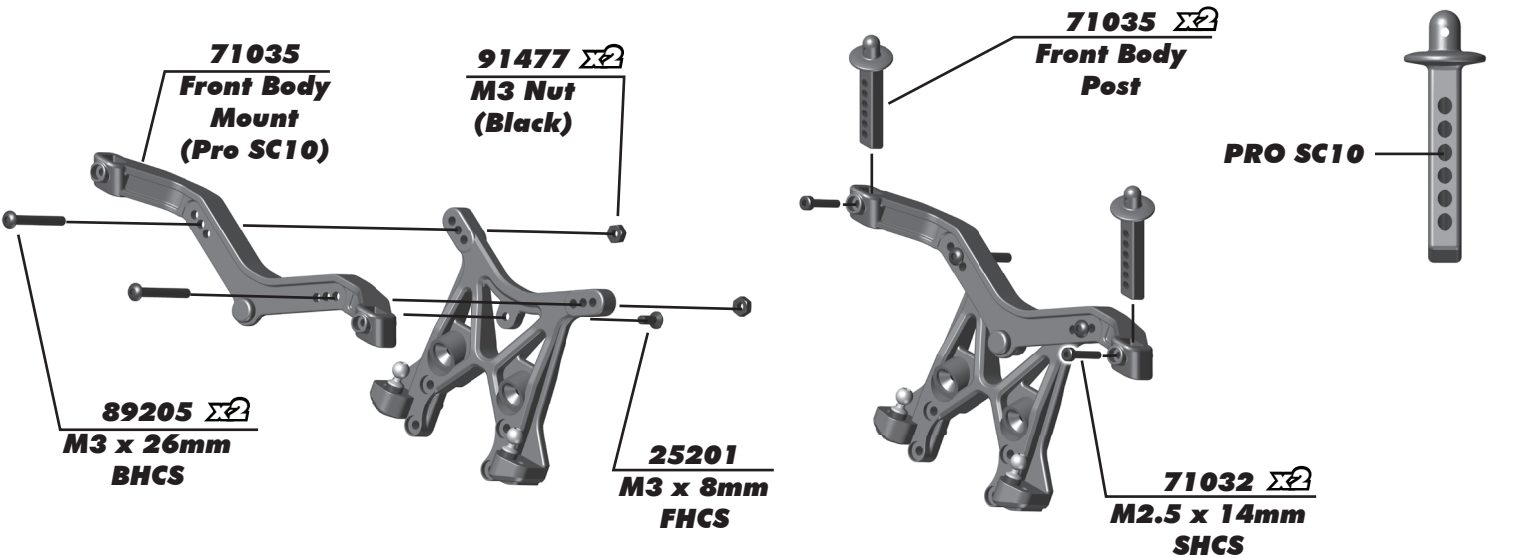
**:: Front Suspension Build - Step 1**



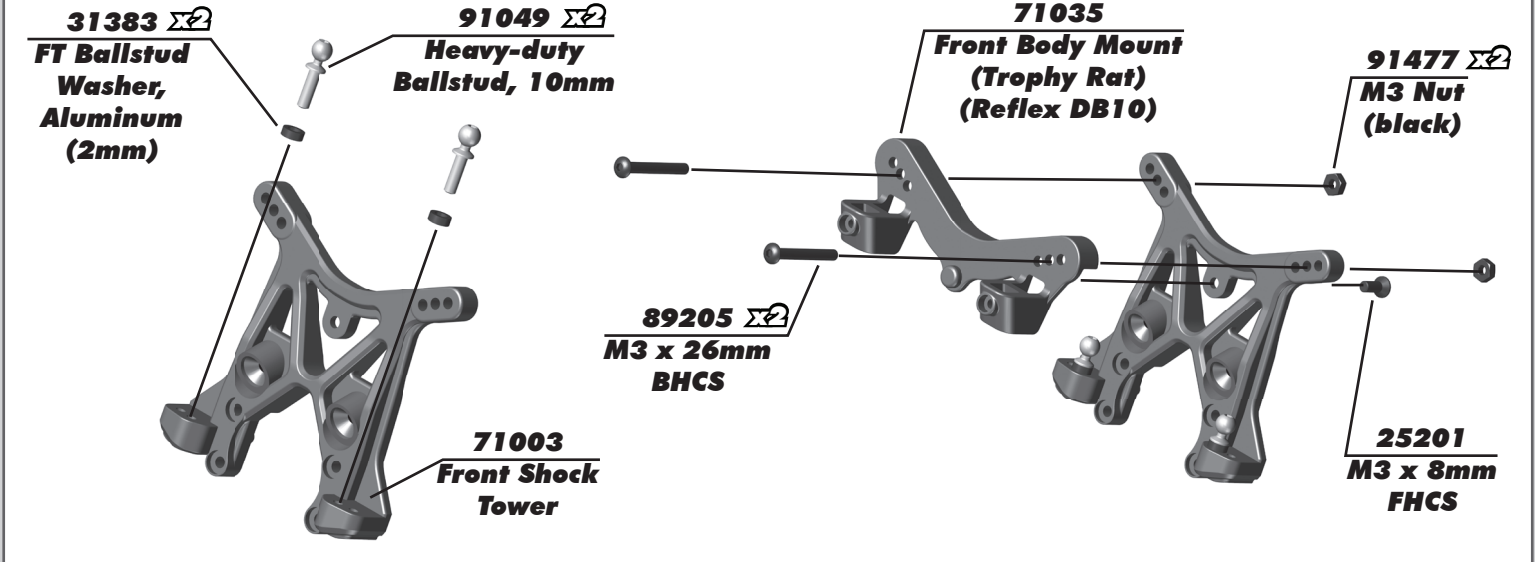
**:: Front Suspension Build - Step 2**



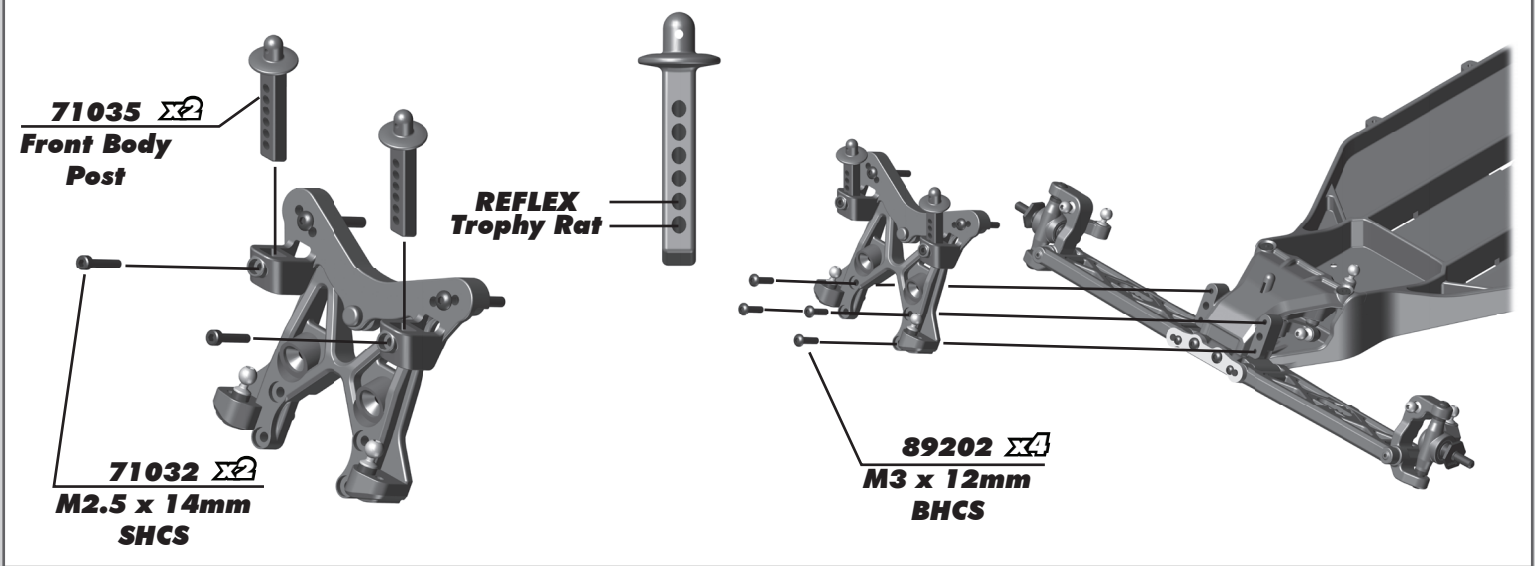
**:: Front Suspension Build - (PRO SC10) - Step 3**



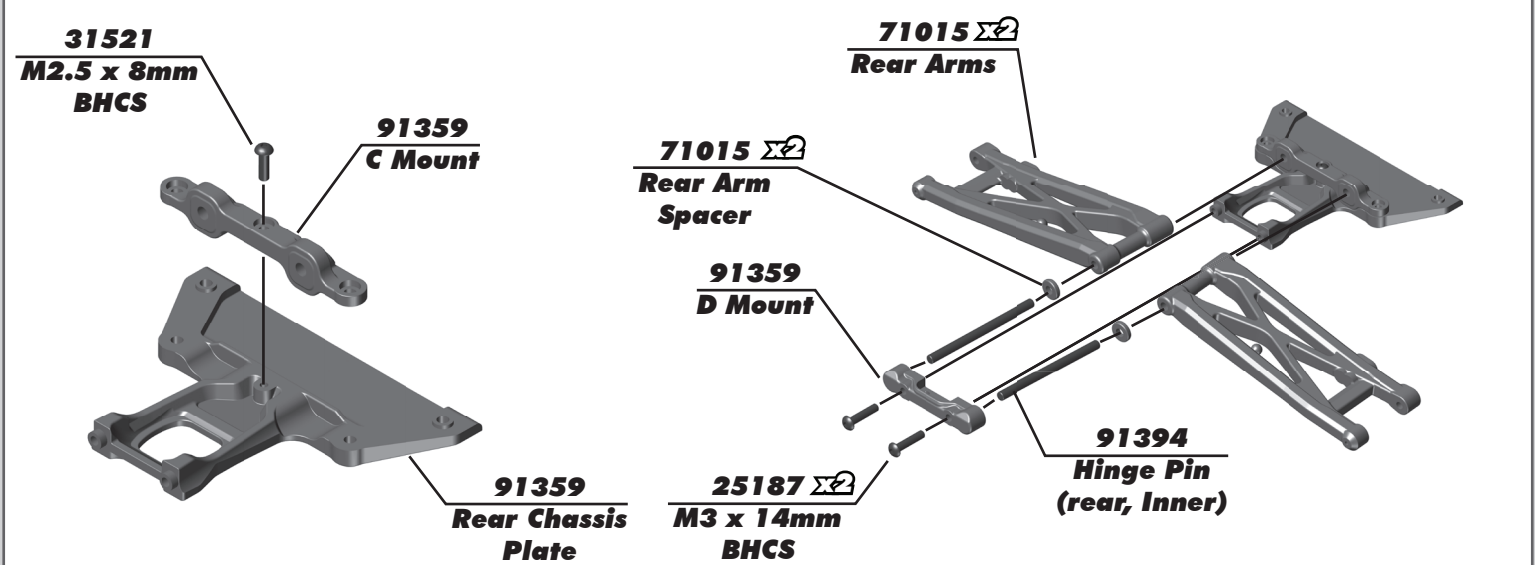
**:: Front Suspension Build - (REFLEX, TROPHY RAT) - Step 4**



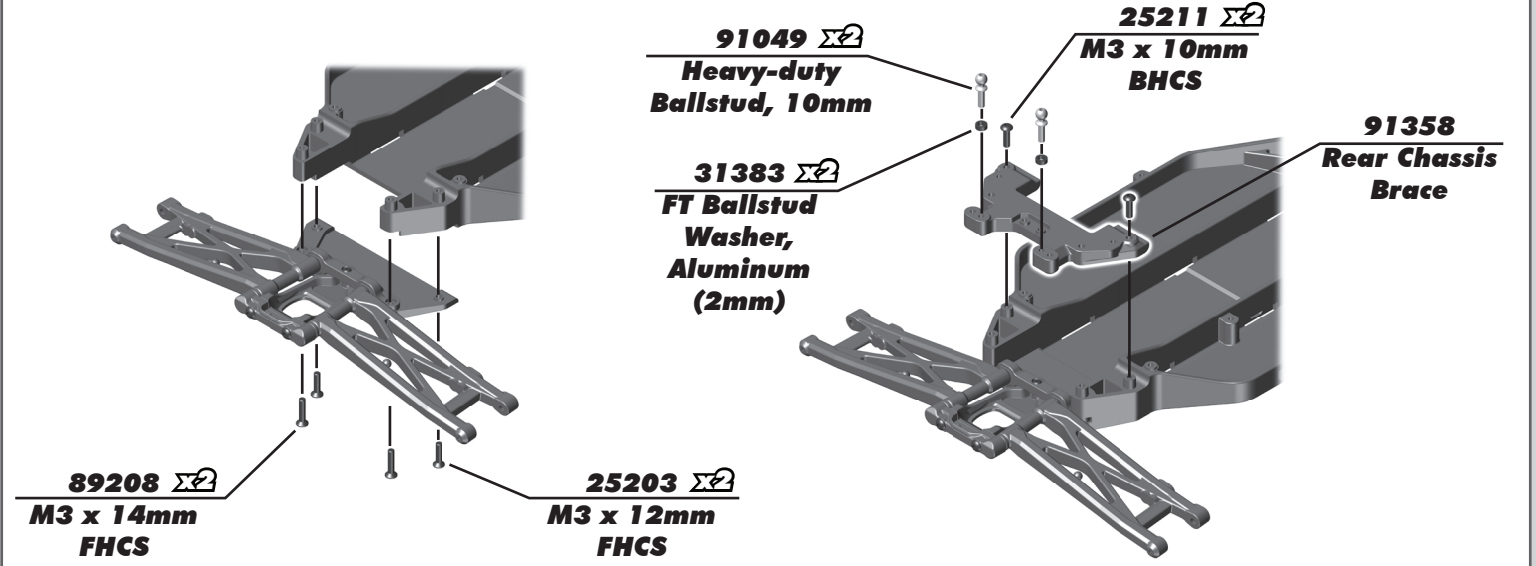
**:: Front Suspension Build - (REFLEX, TROPHY RAT) - Step 5**



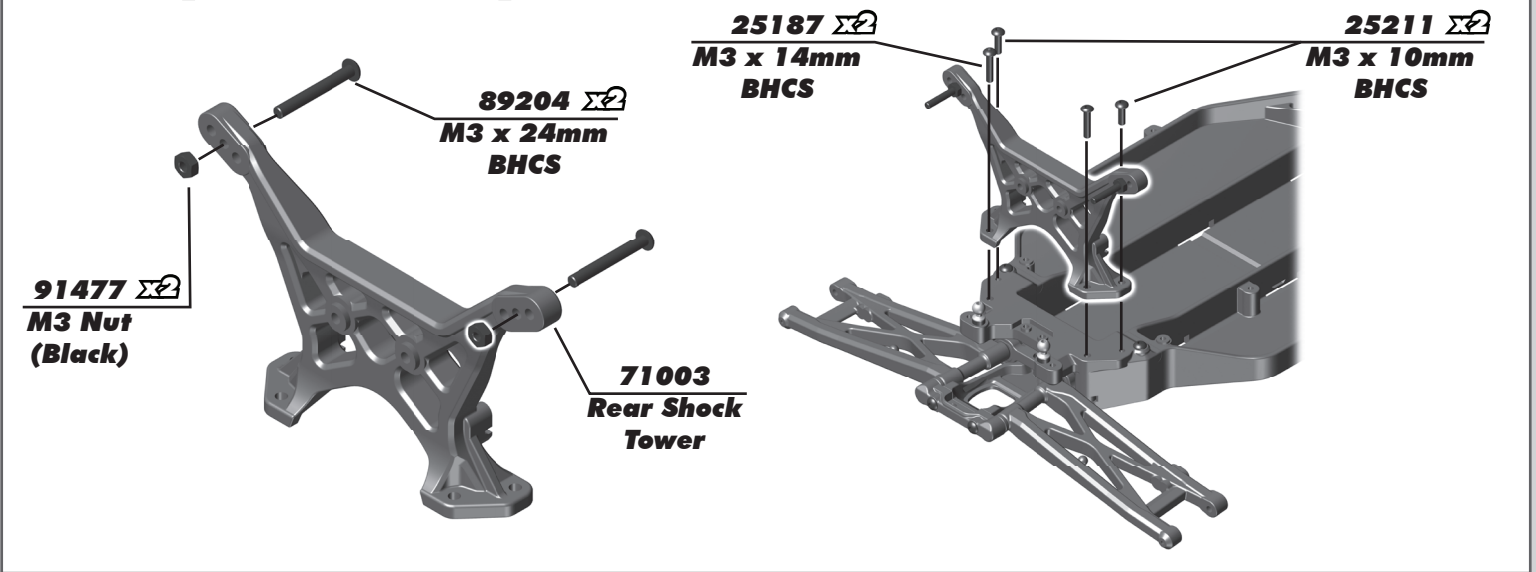
**:: Rear Suspension Build - Step 1**



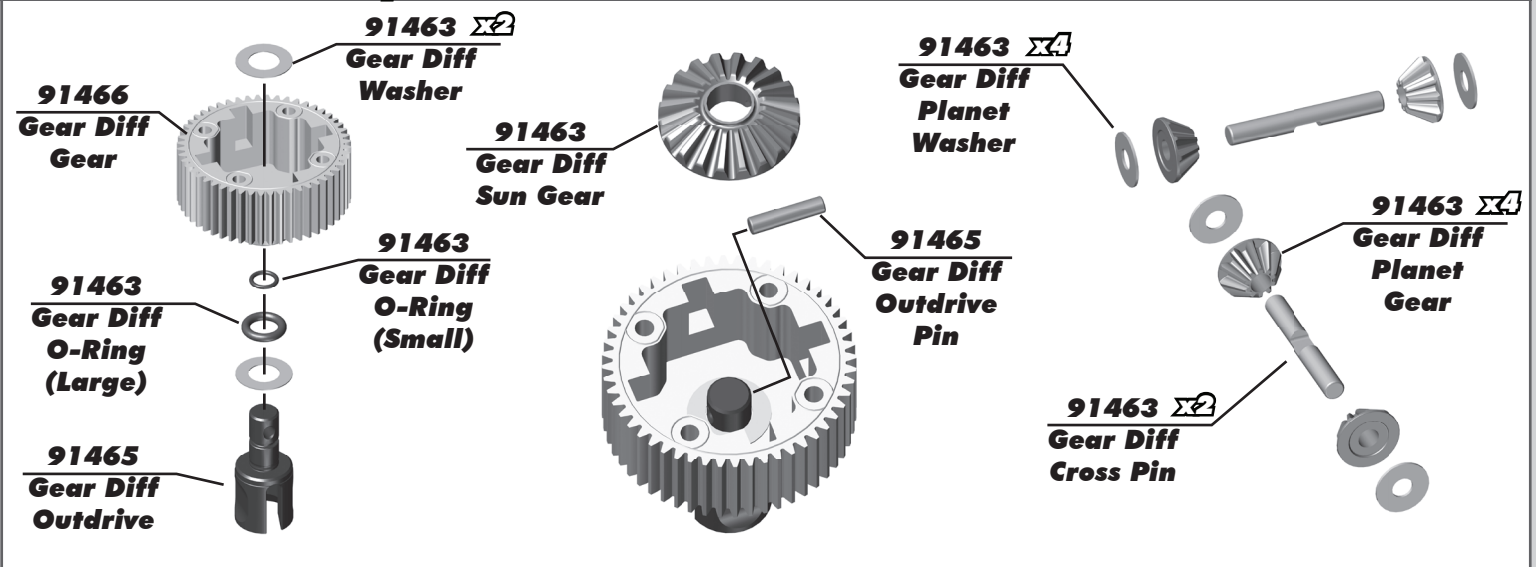
**:: Rear Suspension Build - Step 2**



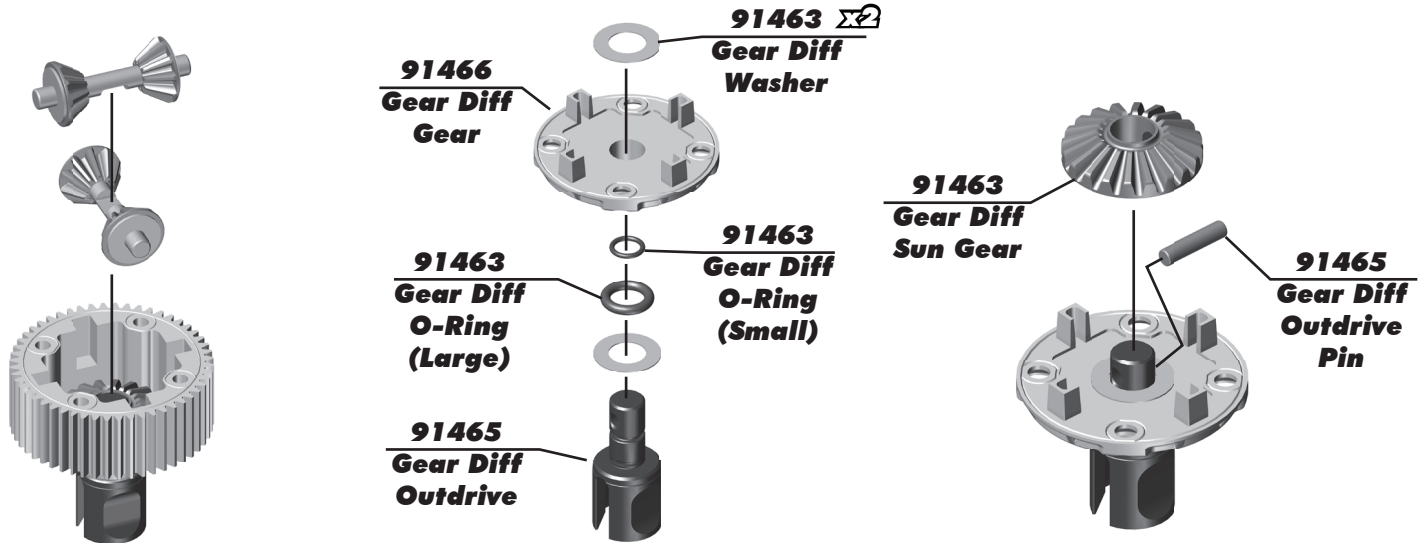
**:: Rear Suspension Build - Step 3**



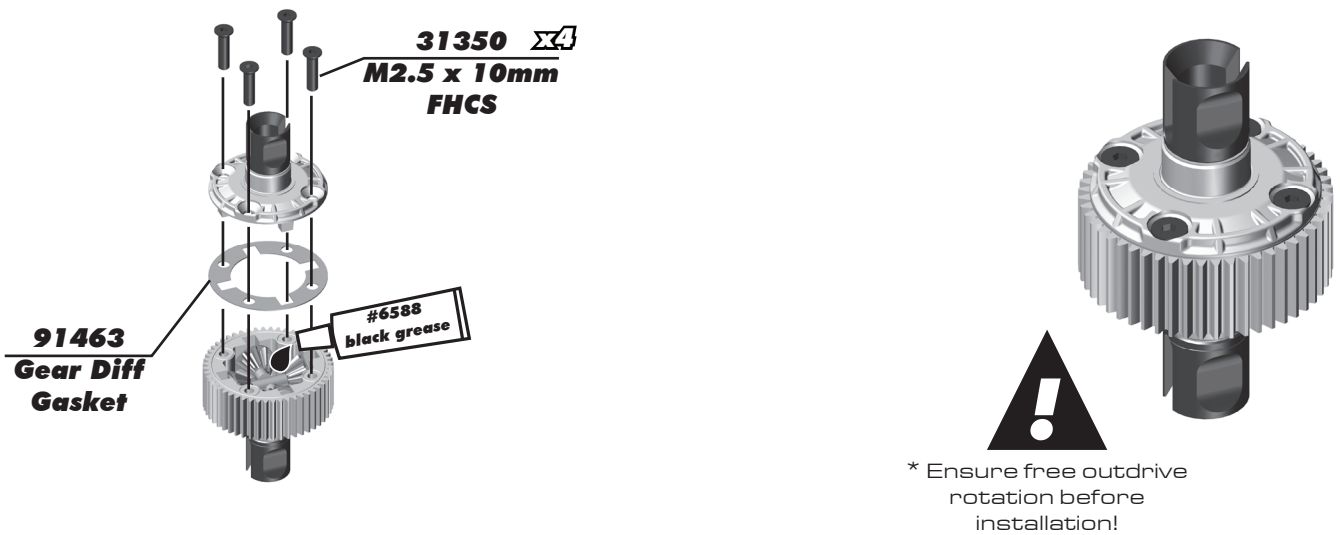
**:: Gear Diff Build - Step 1**



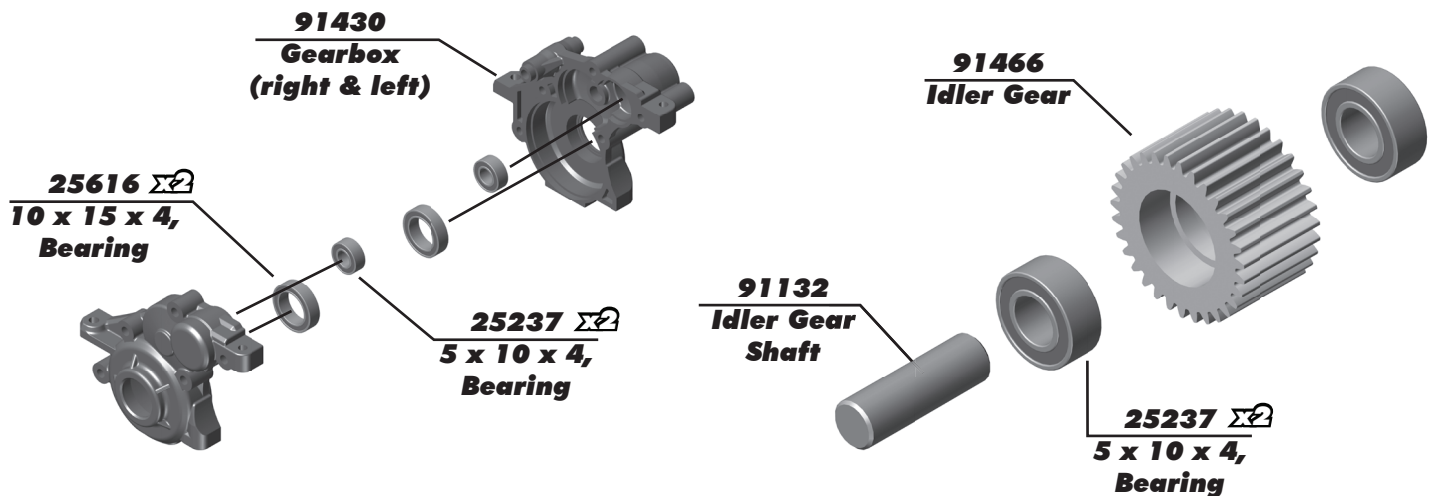
**:: Gear Diff Build - Step 2**



**:: Gear Diff Build - Step 3**



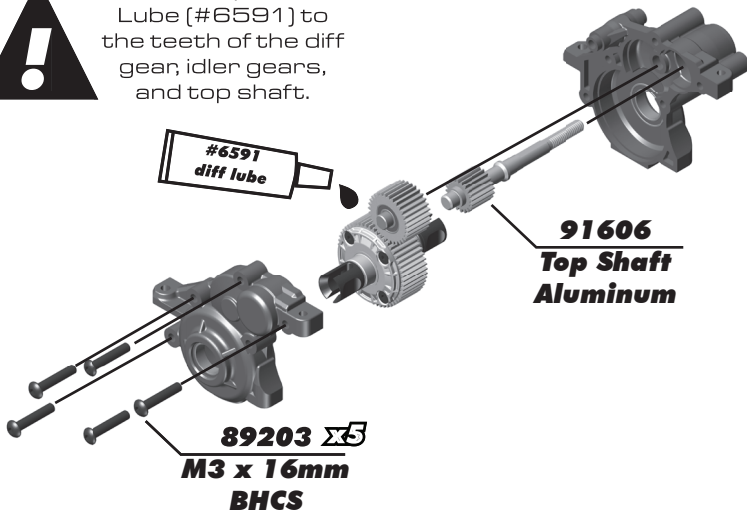
**:: Gearbox Build - Step 1**



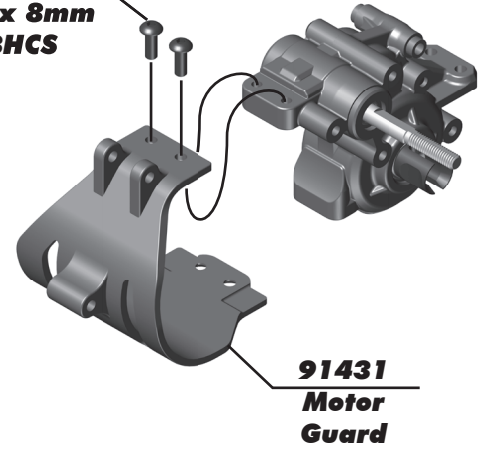
**:: Gearbox Build - Step 2**



Add a drop of Diff Lube (#6591) to the teeth of the diff gear, idler gears, and top shaft.



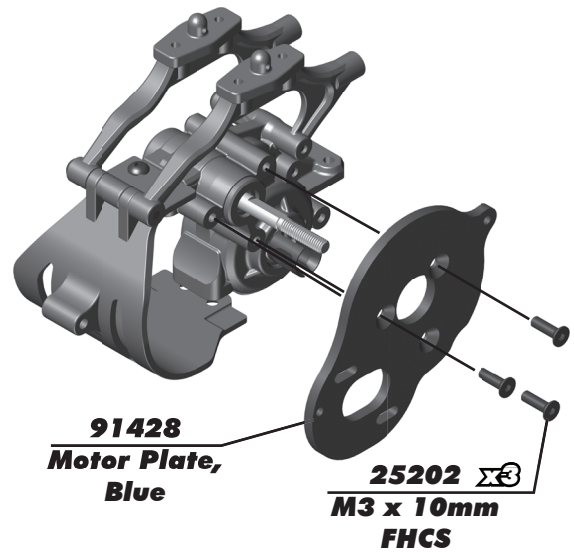
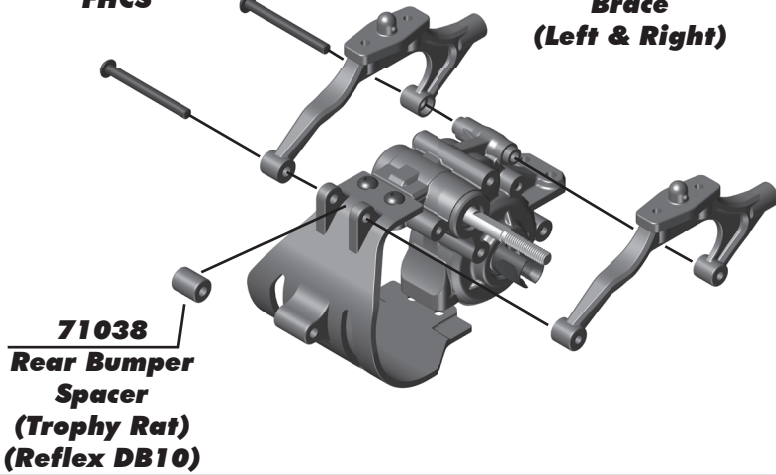
31532  $\Sigma 2$   
M3 x 8mm  
BHCS



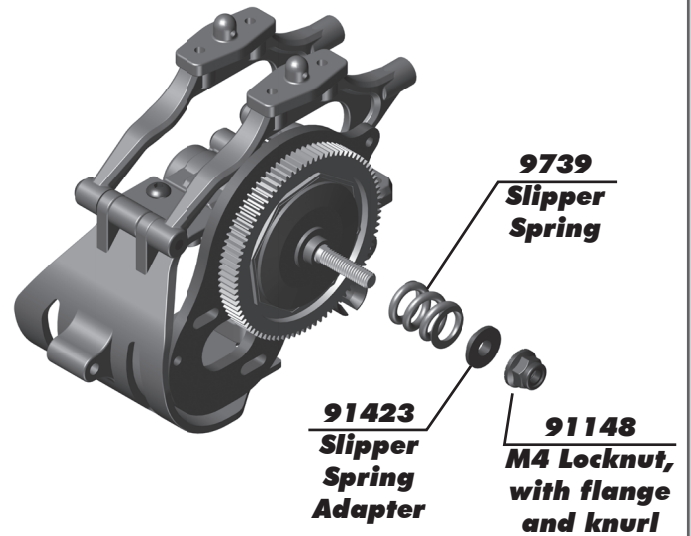
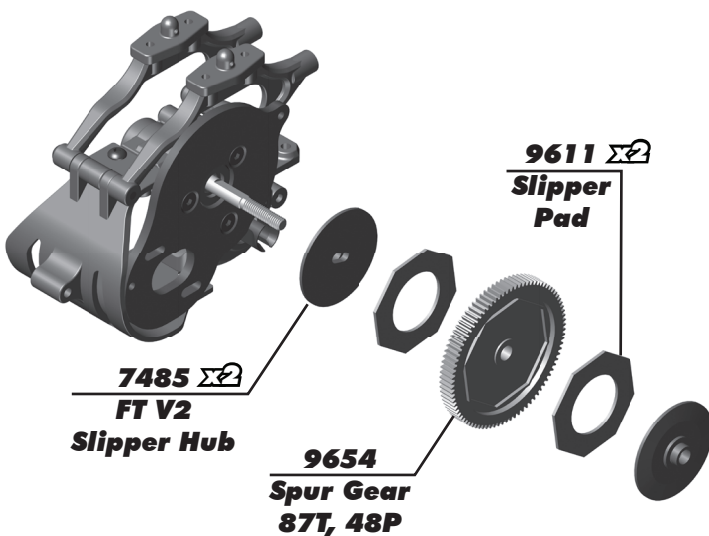
**:: Gearbox Build - Step 3**

91478  $\Sigma 2$   
M3 x 30mm  
FHCS

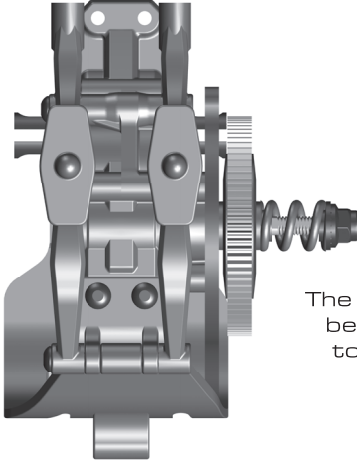
71038  $\Sigma 2$   
Body Mount  
Brace  
(Left & Right)



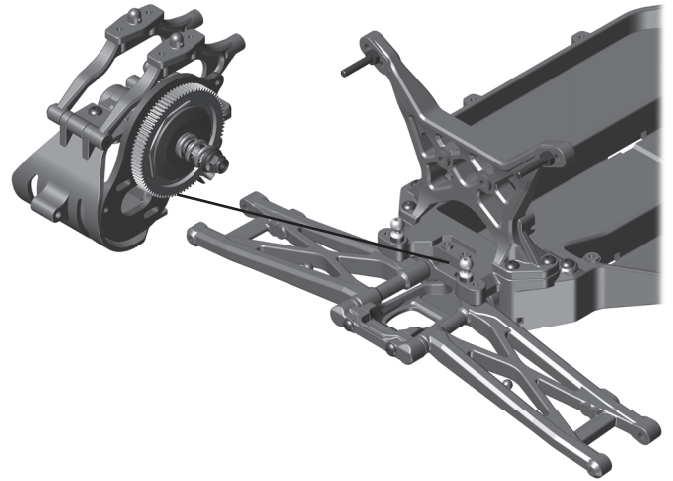
**:: Slipper Build - Step 1**



**:: Gearbox Install - Step 1**

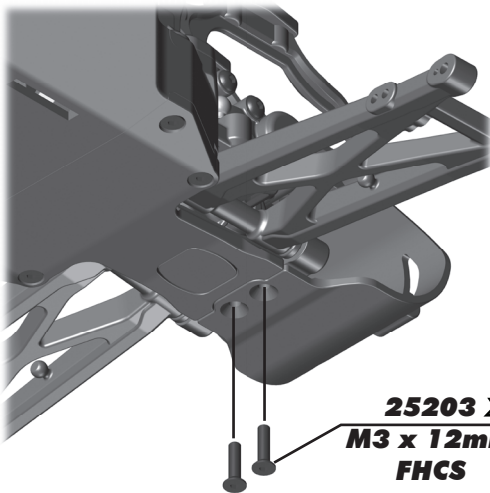


The Locknut should be flush with the top shaft when installed.

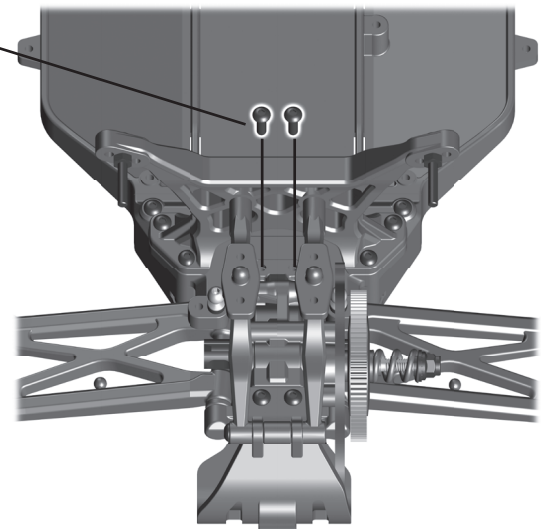


See page 23 for gear mesh, and slipper clutch setting instructions!

**:: Gearbox Install - Step 2**



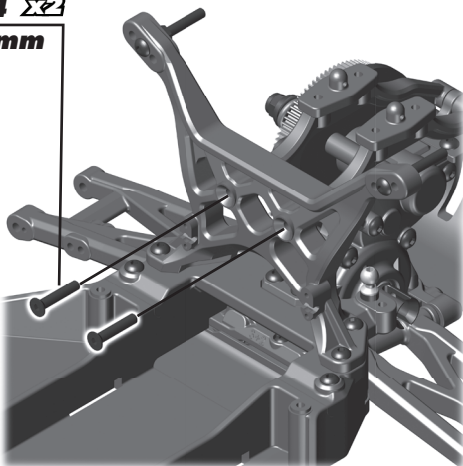
**25211**   
 M3 x 10mm   
 BHCS



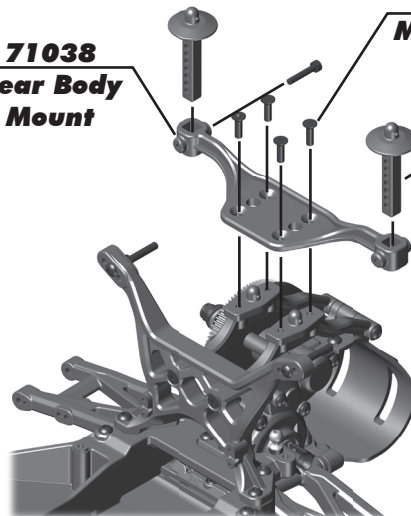
**25203**   
 M3 x 12mm   
 FHCS

**:: Gearbox Install - Step 3**

**25204**   
 M3 x 16mm   
 FHCS



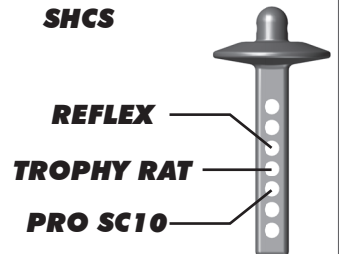
**71038**   
 Rear Body   
 Mount



**25202**   
 M3 x 10mm   
 FHCS

**71038**   
 Rear Body   
 Post

**71032**   
 M2.5 x 14mm   
 SHCS

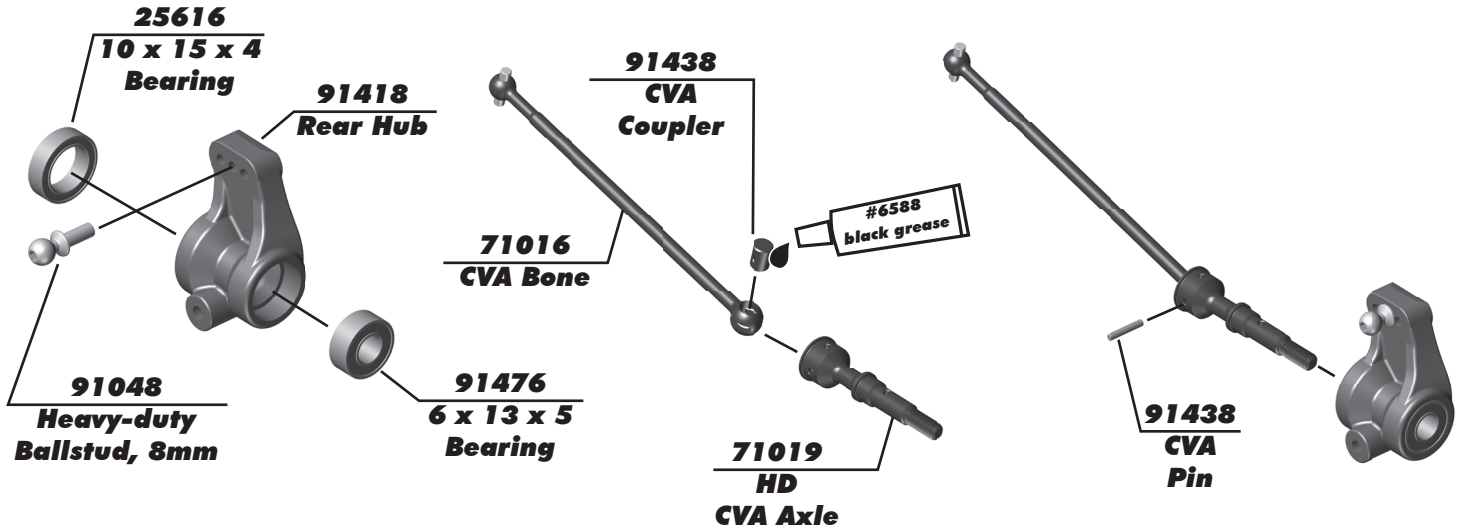


**REFLEX**

**TROPHY RAT**

**PRO SC10**

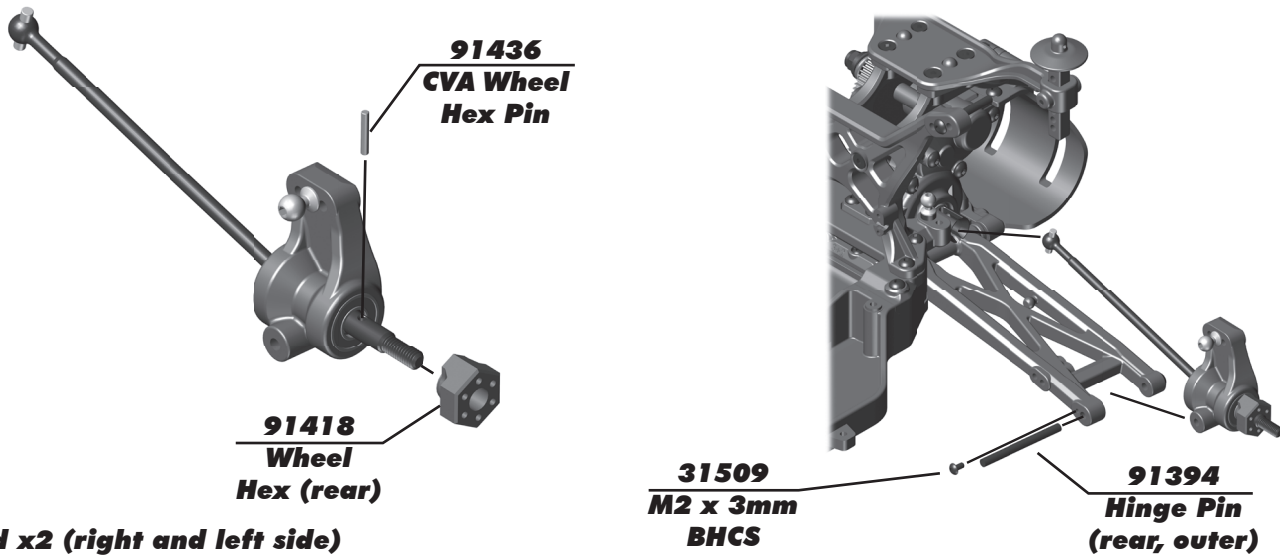
**:: Rear Hub and CVA Build - Step 1**



**Build x2 (right and left side)**

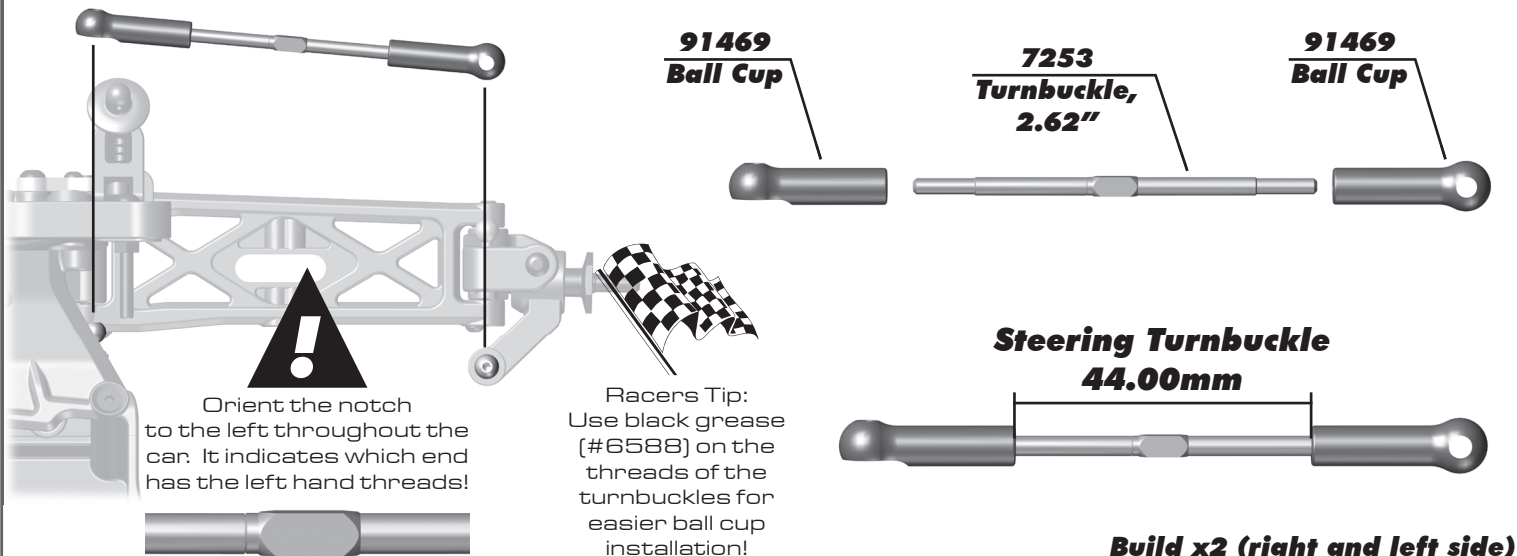
**Build x2 (right and left side)**

**:: Rear Hub and CVA Build - Step 2**



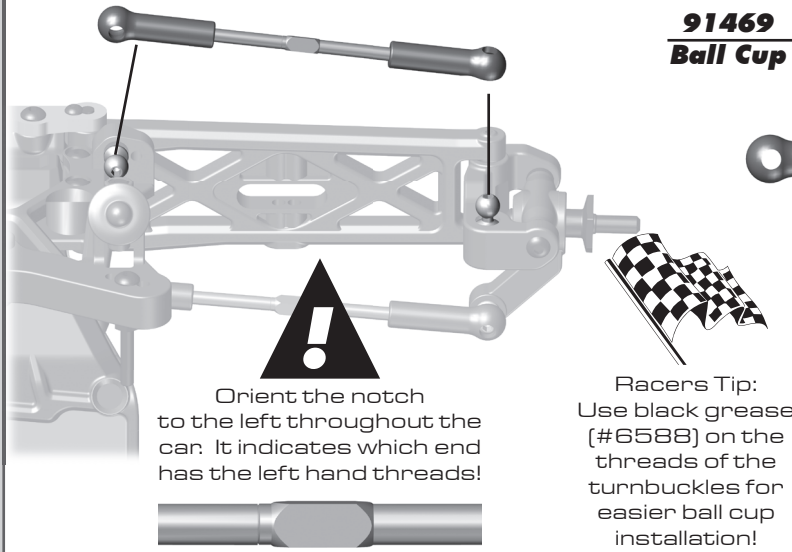
**Build x2 (right and left side)**

**:: Turnbuckles Build - Step 1**



**Build x2 (right and left side)**

**:: Turnbuckles Build - Step 2**



**91469 Ball Cup**

**7253 Turnbuckle, 2.62"**

**91469 Ball Cup**

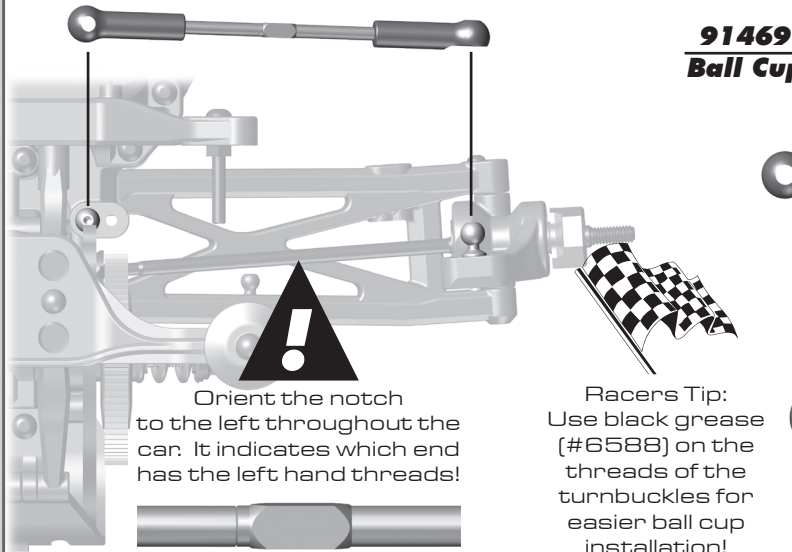
**Front Camber Turnbuckle 39.75mm**

**Build x2 (right and left side)**

**!**  
Orient the notch to the left throughout the car. It indicates which end has the left hand threads!

**Racers Tip:**  
Use black grease (#6588) on the threads of the turnbuckles for easier ball cup installation!

**:: Turnbuckles Build - Step 3**



**91469 Ball Cup**

**7253 Turnbuckle, 2.62"**

**91469 Ball Cup**

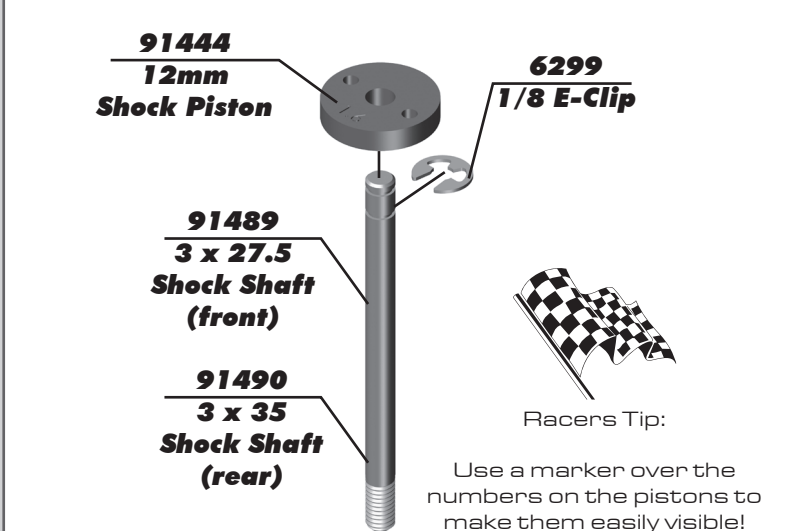
**Rear Camber Turnbuckle 43.00mm**

**Build x2 (right and left side)**

**!**  
Orient the notch to the left throughout the car. It indicates which end has the left hand threads!

**Racers Tip:**  
Use black grease (#6588) on the threads of the turnbuckles for easier ball cup installation!

**:: Shocks Build - Step 1**



**91444 12mm Shock Piston**

**6299 1/8 E-Clip**

**91489 3 x 27.5 Shock Shaft (front)**

**91490 3 x 35 Shock Shaft (rear)**

**!**  
Use a marker over the numbers on the pistons to make them easily visible!

**Racers Tip:**



**6299 1/8 E-Clip**



**:: Shocks Build - Step 2**

**71051 Shock Body 12 x 27.5mm (front)**

**71052 Shock Body 12 x 36mm (rear)**


**91444 Shock Internals**

**91454 Shock Bottom Cap**


**31327 Shock Bottom Cap O-Ring**

**5407 O-Ring**

**#1105 green slime**



Lightly rub shock oil on the o-ring before installation!

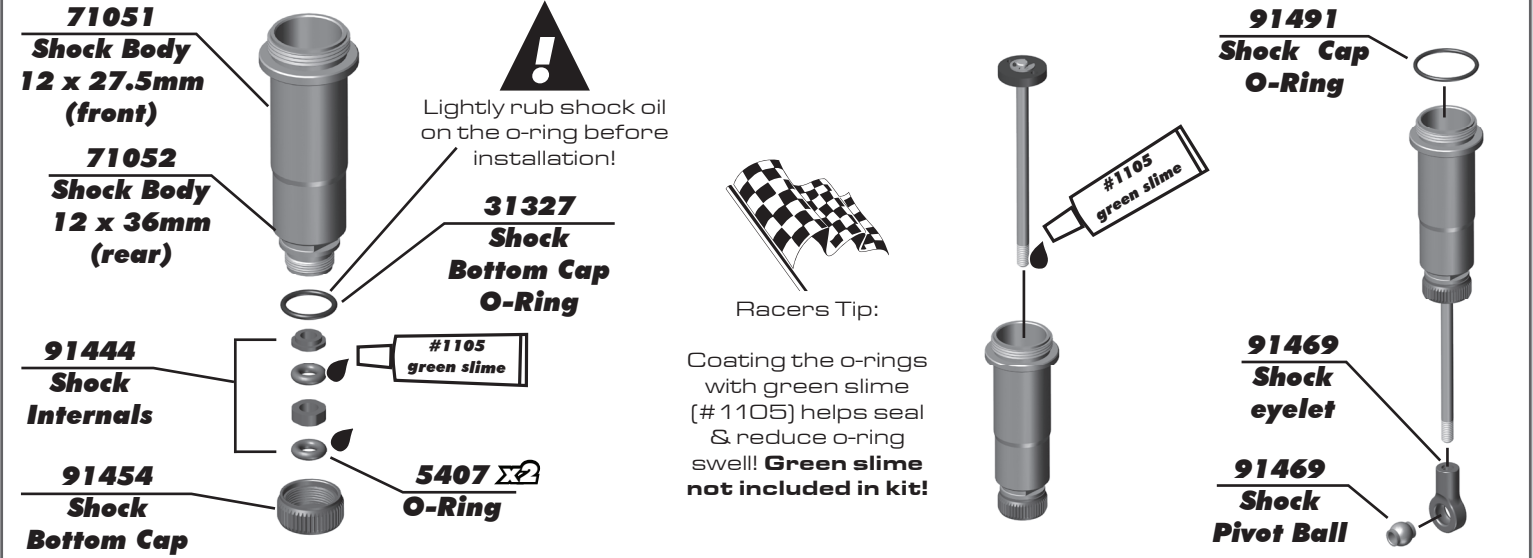


Racers Tip:  
Coating the o-rings with green slime (#1105) helps seal & reduce o-ring swell! **Green slime not included in kit!**

**91491 Shock Cap O-Ring**

**91469 Shock eyelet**

**91469 Shock Pivot Ball**



**:: Shocks Build - Step 3**

**Shock fluid #5422**

**Shock fluid #5422**

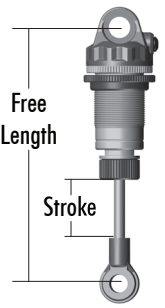
**91454 Shock Cap (Molded)**

**Front Shock: 30wt**  
**Rear Shock: 30wt**

**Step 1-3**   **Step 3-4**   **Step 5-6**   **Step 7**

**Shock Bleeding Steps:**

1. Pull shock shaft down.
2. Fill shock body 3/4 full with silicone fluid.
3. Slowly move the shock shaft up and down to remove air from under piston.
4. Wait for bubbles to come to surface.
5. Fill shock body to top with silicone fluid.
6. Place a drop of oil in the cap and on cap threads.
7. Install cap and tighten completely.
8. Slowly compress shaft all the way to the top. If there is pressure at the top of the stroke, there is too much oil or air. You must bleed it out.
9. Slowly pull shaft out.
10. Unscrew the cap 3/4 turn and tilt the shock at a slight angle.
11. Slowly compress the shaft to push out excess oil and air. You should see bubbles coming out from under the cap.
12. With the shaft compressed, tighten the cap and re-check for pressure at the top of the stroke. If there is still pressure, repeat steps 9 thru 11.



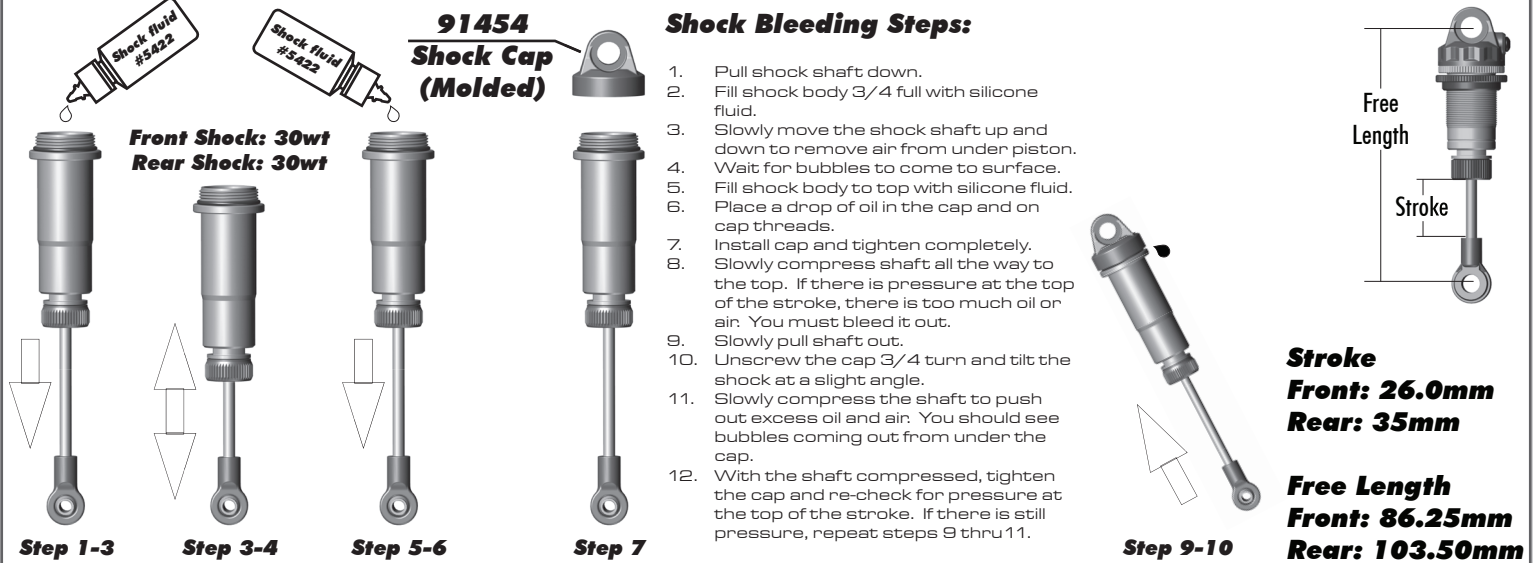
Free Length

Stroke

**Stroke**  
**Front: 26.0mm**  
**Rear: 35mm**

**Free Length**  
**Front: 86.25mm**  
**Rear: 103.50mm**

**Step 9-10**







**:: Shocks Build - Step 4**

**71054 Pre Load Spacers**

**71054 Spring Collar**

**91636 12mm front spring (54mm), White (4.10lb)**

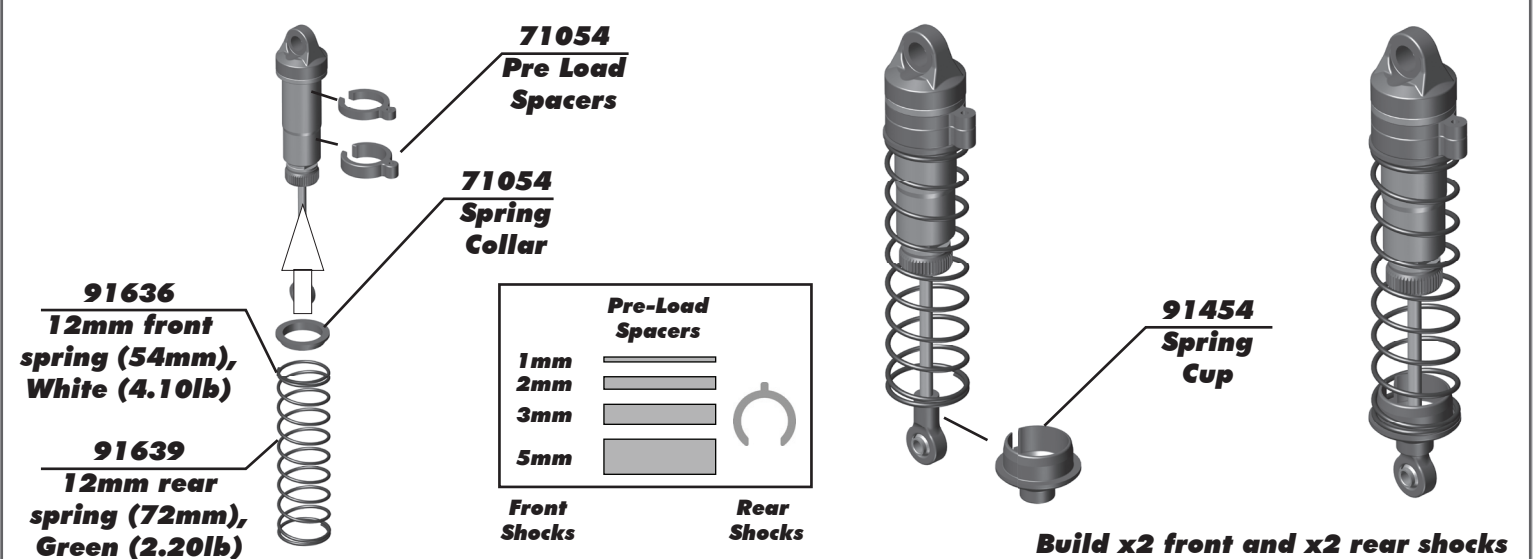
**91639 12mm rear spring (72mm), Green (2.20lb)**

Pre-Load Spacers	
1mm	
2mm	
3mm	
5mm	

**Front Shocks**   **Rear Shocks**

**91454 Spring Cup**

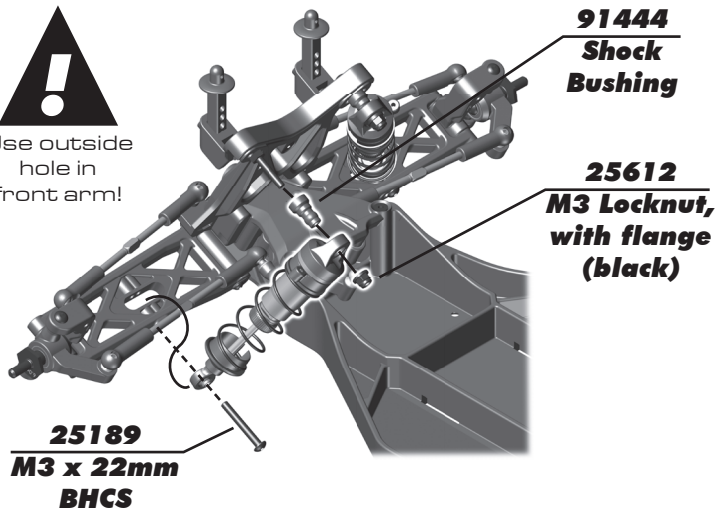
**Build x2 front and x2 rear shocks**



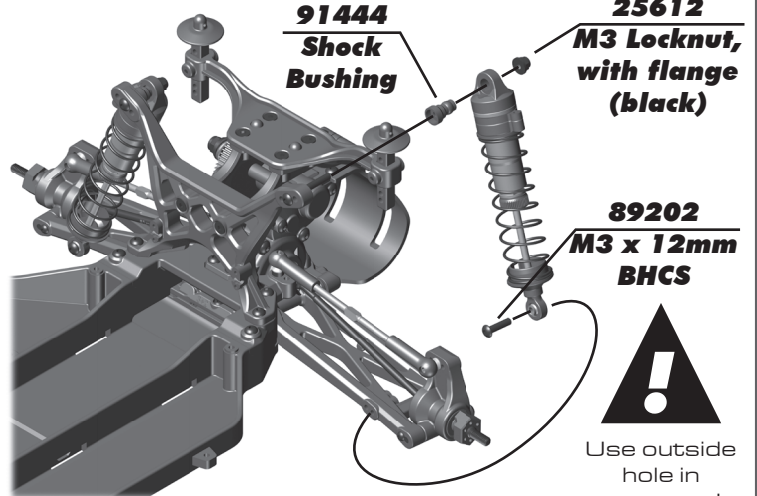
**:: Shocks Build - Step 5**



Use outside hole in front arm!



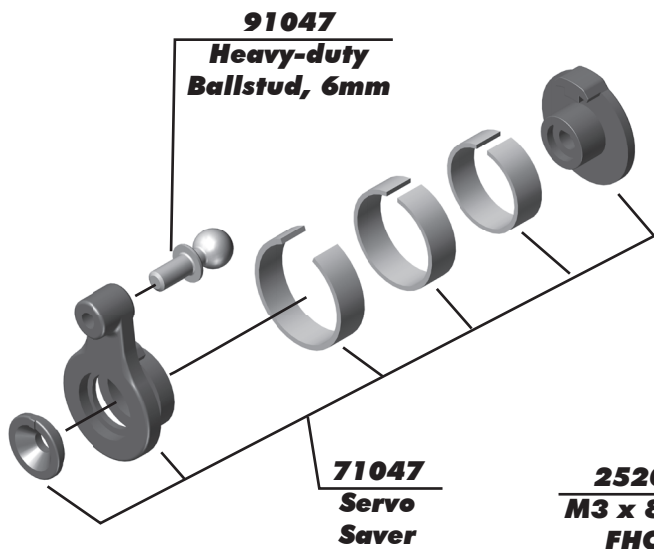
**Build x2 (right and left side)**



Use outside hole in rear arm!

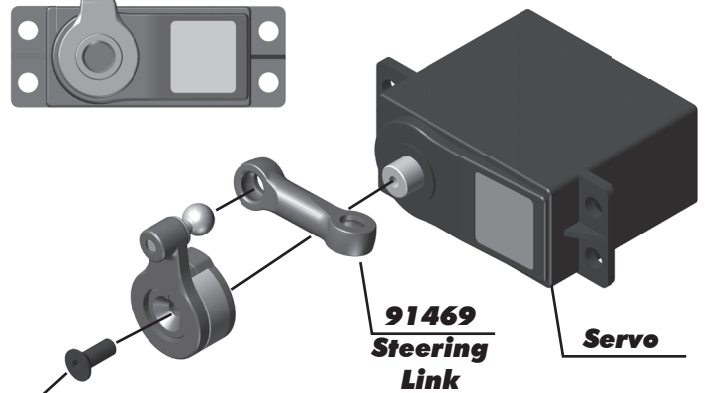
**Build x2 (right and left side)**

**:: Electronics Build - Step 1**



Align the servo horn 90 degrees. Adjust steering trim once vehicle is complete.

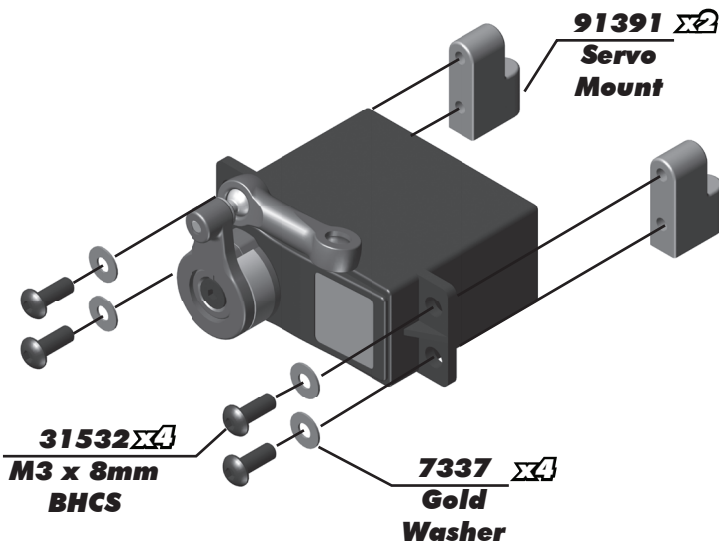
**25201 M3 x 8mm FHCS**



**91469 Steering Link**

**Servo**

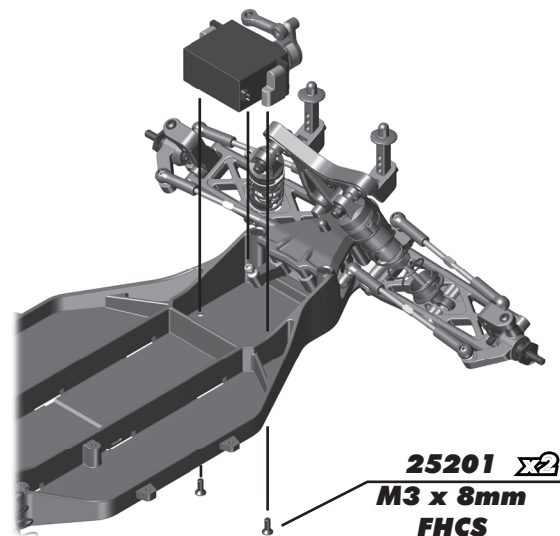
**:: Electronics Build - Step 2**



**31532x4 M3 x 8mm BHCS**

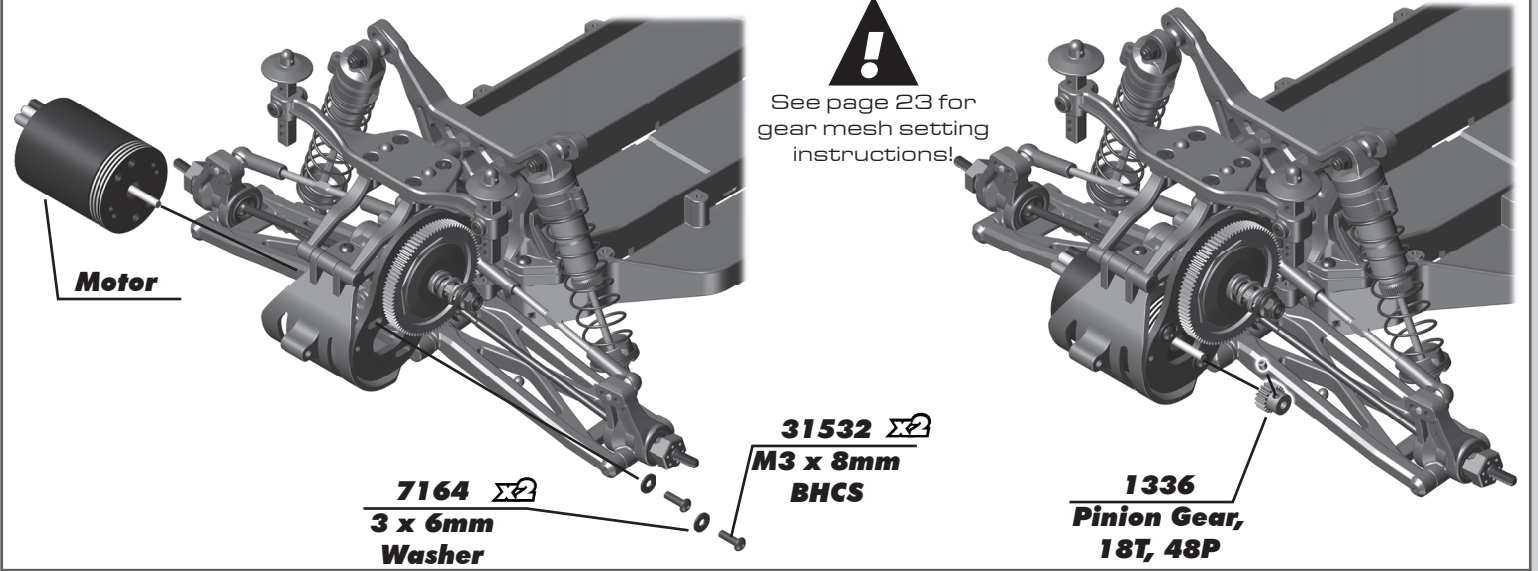
**7337 x4 Gold Washer**

**91391 x2 Servo Mount**

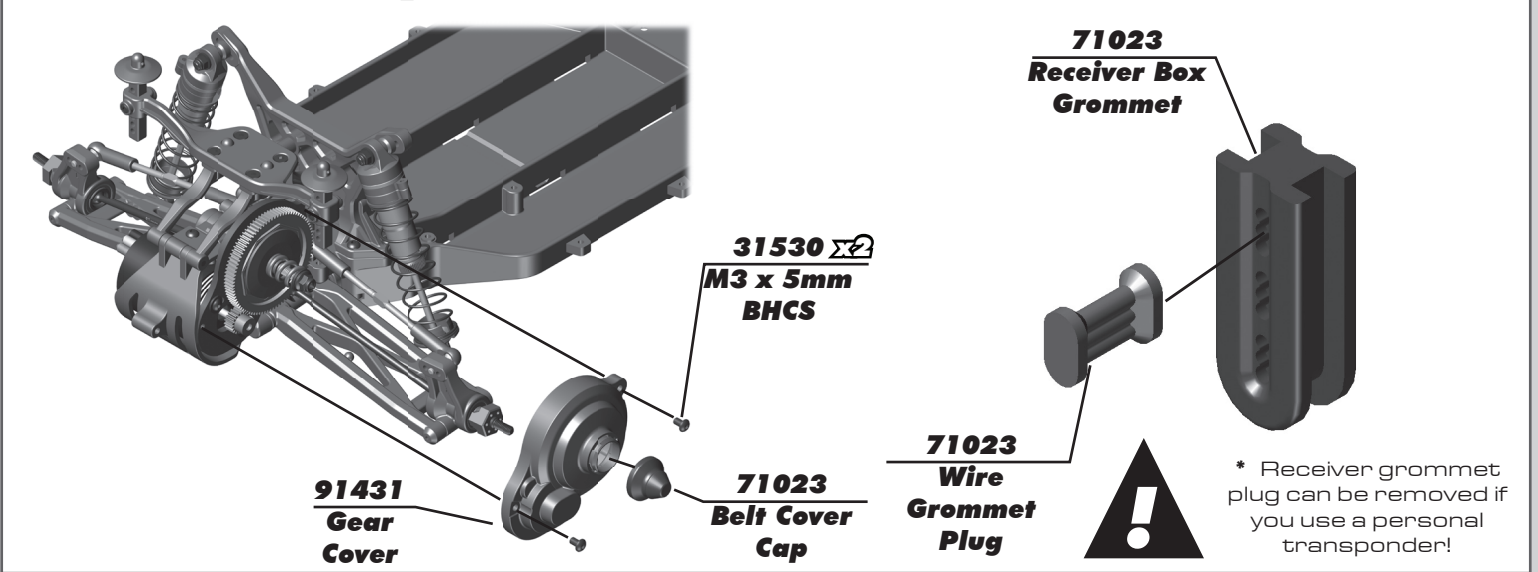


**25201 x2 M3 x 8mm FHCS**

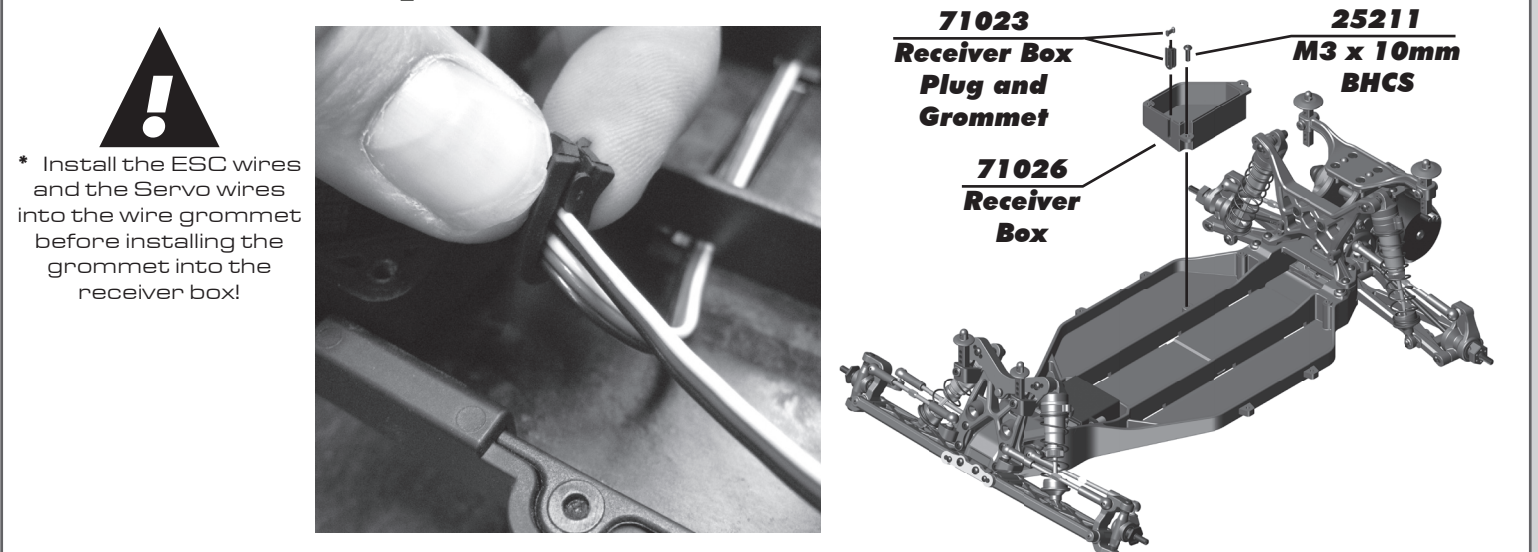
**:: Electronics Build - Step 3**



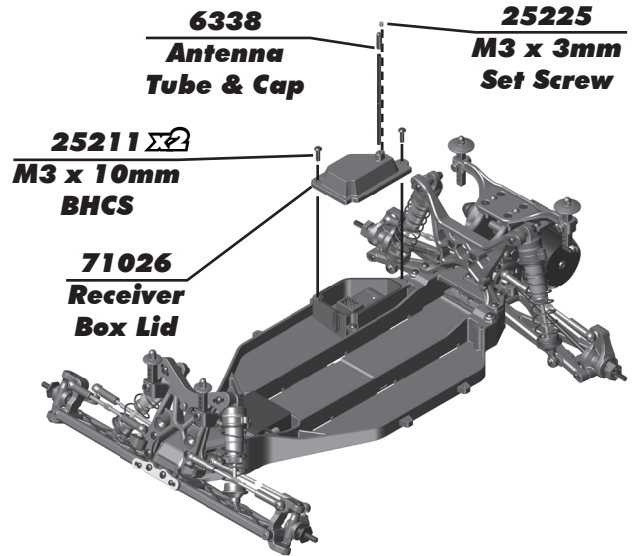
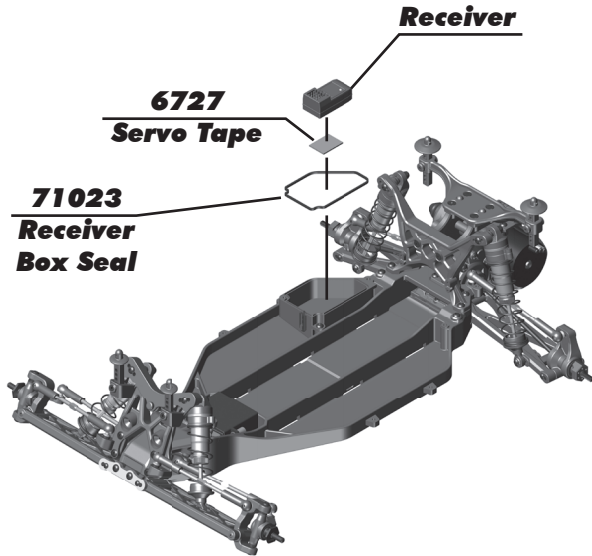
**:: Electronics Build - Step 4**



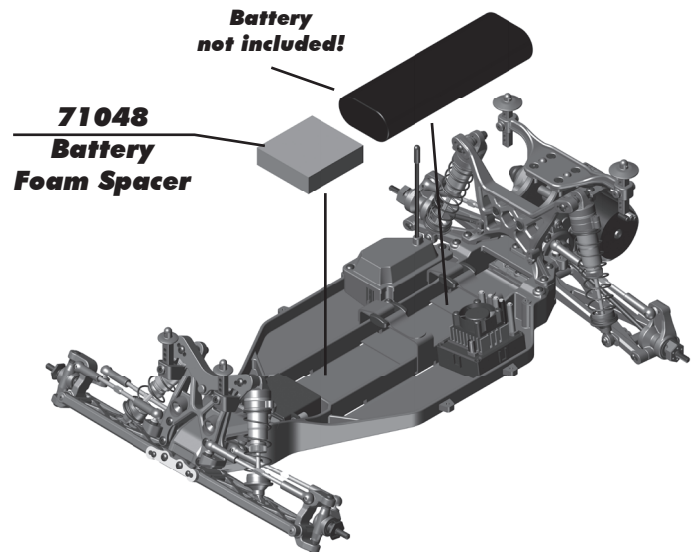
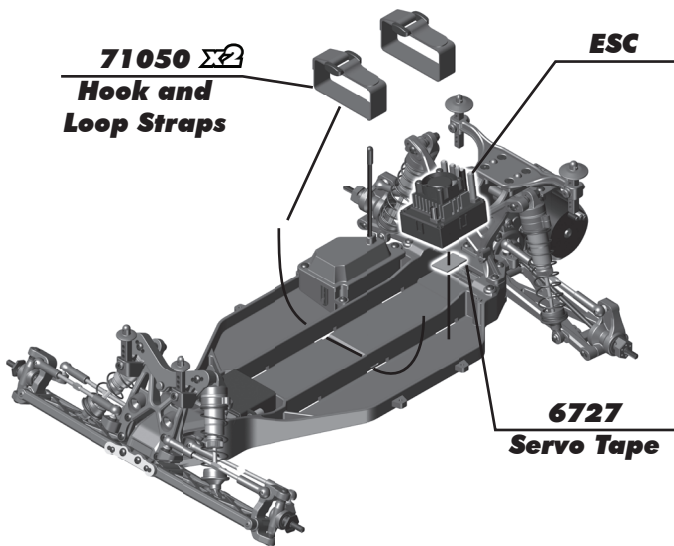
**:: Electronics Build - Step 5**



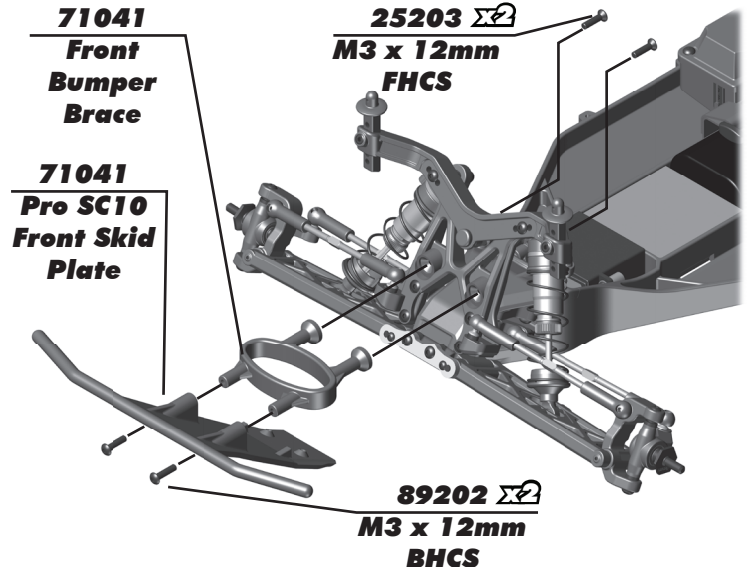
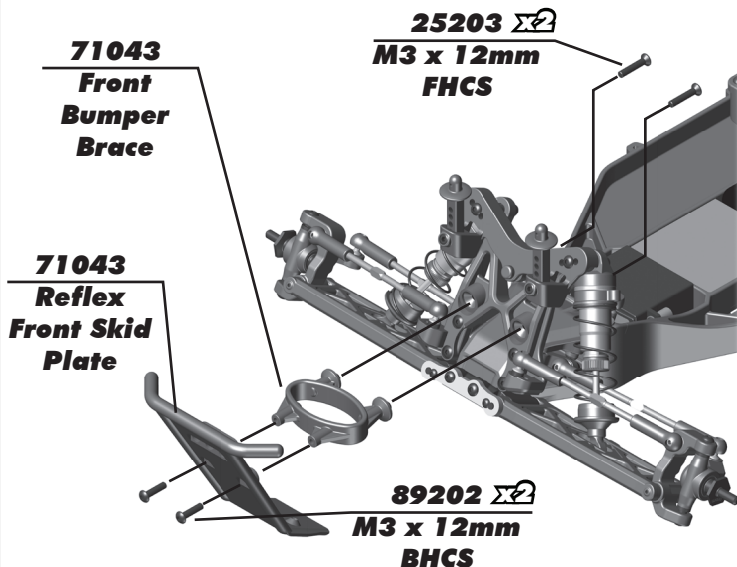
**:: Electronics Build - Step 6**



**:: Electronics Build - Step 7**



**:: Bumper and Chassis Braces Build - Step 1**



**:: Bumper and Chassis Braces Build - Step 2**

**25204**  $\times 2$   
M3 x 16mm  
FHCS

**71043**  
Front Bumper  
(Trophy Rat)

**25204**  $\times 2$   
M3 x 16mm  
FHCS

**25204**  $\times 2$   
M3 x 16mm  
FHCS

**:: Bumper and Chassis Braces Build - Step 3**

**91478**  
M3 x 30mm  
BHCS

**89204**  
M3 x 24mm  
BHCS

**71042**  
Rear Bumper  
Brace  
(PRO SC10)

**71042**  
Rear Bumper  
Pivot  
(PRO SC10)

**25187**  $\times 4$   
M3 x 14mm  
BHCS

**71042**  
Rear Bumper  
(PRO SC10)

**:: Bumper and Chassis Braces Build - Step 4**

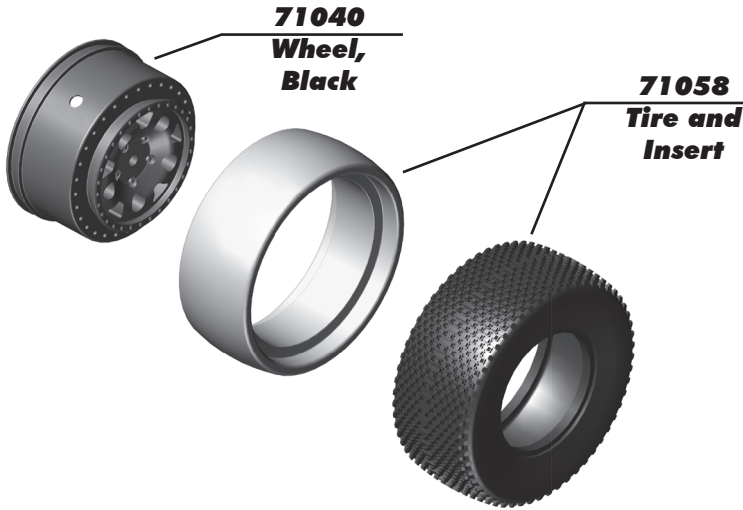
**25211**  $\times 4$   
M3 x 10mm  
BHCS

**71043**  
Nerf Bar  
(Reflex)  
(Trophy Rat)

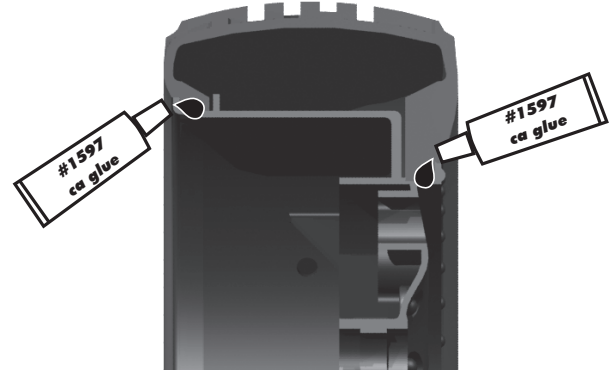
**25211**  $\times 4$   
M3 x 10mm  
BHCS

**71041**  
Nerf Bar  
(PRO SC10)

**:: Tires and Body Build - Step 1**

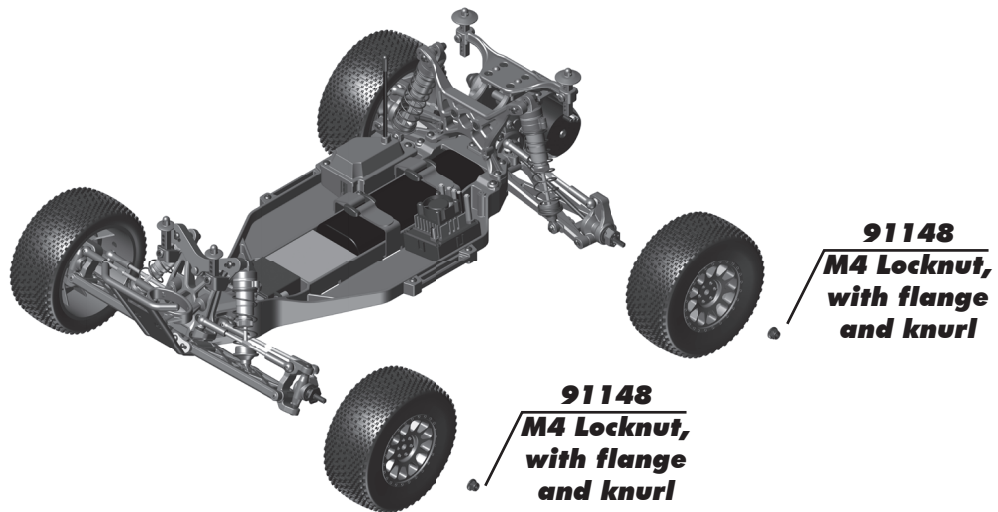


Clean the tire and wheel bead. Carefully apply CA glue (tire adhesive) to the tire bead on both sides. Do one side at a time, allow it to dry before gluing the other side!  
**CA glue not included!**

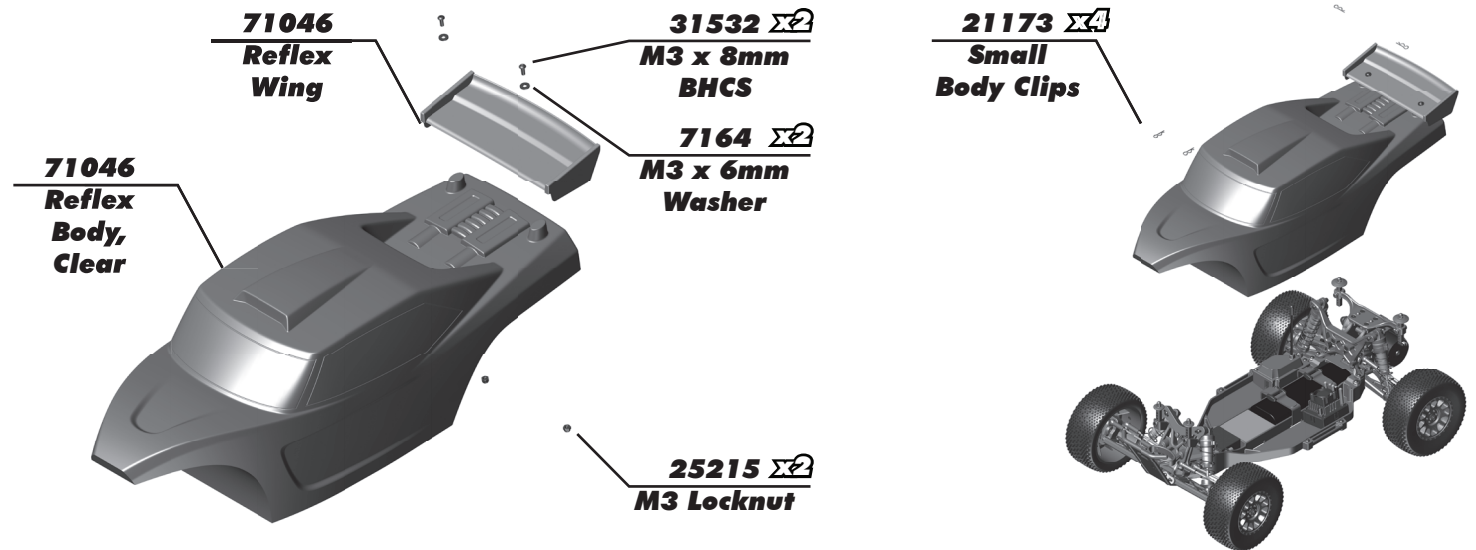


**Build x4**

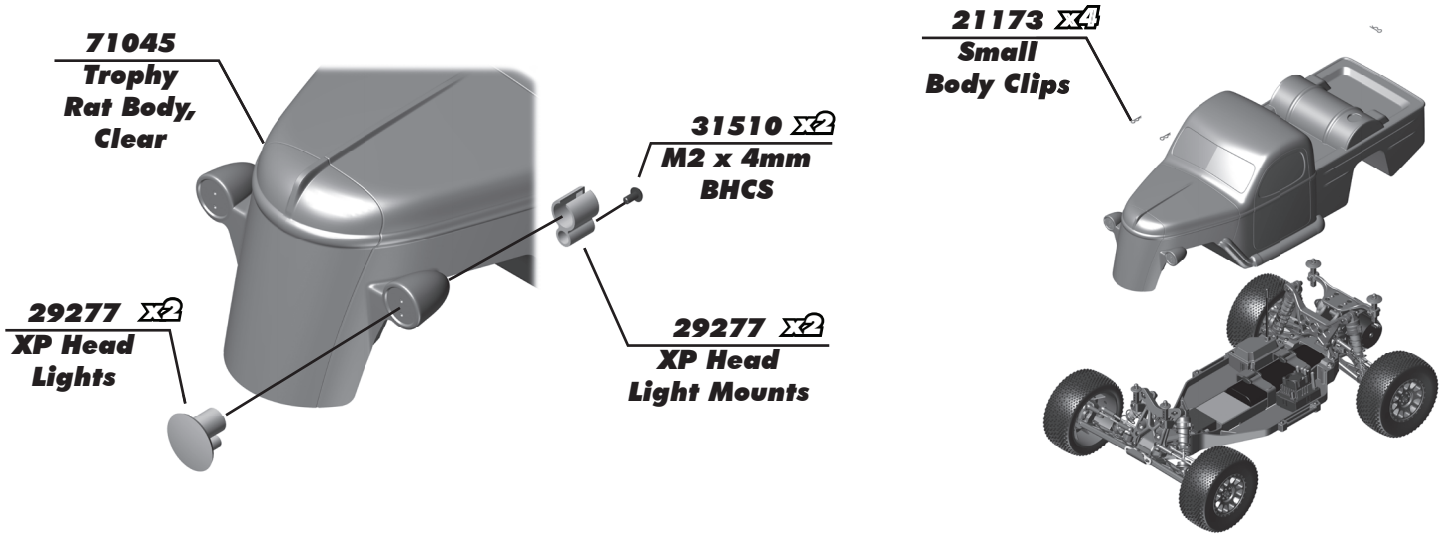
**:: Tires and Body Build - Step 2**



**:: Tires and Body Build - Step 3**



**:: Tires and Body Build - Step 4**



**:: Tuning Tips**

**Tips for Beginners:**

Before making any changes to the standard setup, make sure you can get around the track without crashing. Changes to your vehicle will not be beneficial if you can't stay on the track. Your goal is consistent laps.

Once you can get around the track consistently, start tuning your vehicle. Make only ONE adjustment at a time, testing it before making another change. If the result of your adjustment is a faster lap, mark the change on the included setup sheet (make additional copies of the sheet before writing on it). If your adjustment results in a slower lap, revert back to the previous setup and try another change.

When you are satisfied with your vehicle, fill in the setup sheet thoroughly and file it away. Use this as a guide for future track days or conditions. Periodically check all moving suspension parts. Suspension components must be kept clean and move freely without binding to prevent poor and/or inconsistent handling.

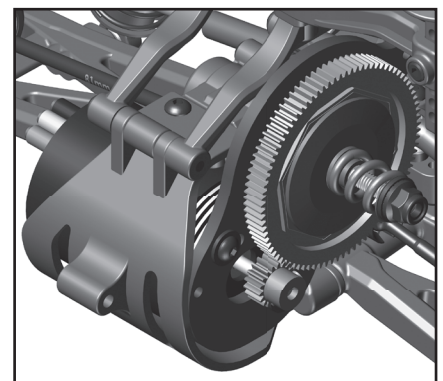
**Motor Gearing:**

Proper motor gearing will result in maximum performance and run time while reducing the chance of overheating and premature motor failure. The gear ratio chart lists recommended **starting gear ratios** for the most widely used motor types. Gear ratios will vary depending upon motor brand, wind, and electronic speed control. Consult your motor and electronic speed control manufacturers for more information. Team Associated is not responsible for motor damage due to improper gearing.

**Gear Ratio Chart (Internal Gear Ratio 2.60:1)**

Motor	Pinion	Spur	Final Drive Ratio
17.5 Reedy Sonic Brushless	*28	*75	6.96:1
13.5 Reedy Sonic Brushless	*26	*75	7.50:1
10.5 Reedy Sonic Brushless	*24	87	9.42:1
3300kV Brushless	18	87	12.57:1

**\* Optional spur gear / pinion used**



**Set The Gear Mesh:**

You should be able to rock the spur gear back and forth in the teeth of the pinion gear without making the pinion gear move. If the spur gear mesh is tight, then loosen the #31532 screws and move the motor away, then try again. A gear mesh that is too tight or too loose will reduce power and damage the gear teeth.

## :: Tuning Tips (cont.)

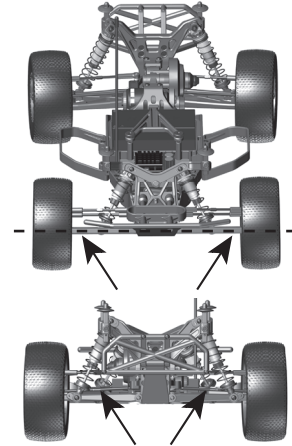
### Slipper Clutch:

The assembly instructions give you a base setting for your clutch. Turn the nut on the shaft so that the end of the top shaft is flush with the nut. At the track, tighten or loosen the nut in 1/8 turn increments until you hear a faint slipping sound for 1-2 feet on takeoffs. Another popular way to set the clutch is to hold both rear tires firmly in place and apply short bursts of throttle. If the clutch is properly set, the front tires should lift slightly up off the surface.

### Ride Height:

Ride height is the distance from the ground to the bottom of the chassis. The standard front ride height setting is with the front arms level (referred to as "arms level") or 30mm (Ride Height Gauge # 1449). Check the ride height by lifting up the entire car about 8-12 inches off the bench and drop it. After the suspension "settles" into place, measure ride height (Ride Height Gauge # 1449). Add or Remove pre-load spacers as necessary so that the left & right arms appear to be level.

The rear ride height setting you should use most often is with the outdrive, driveshaft, and axles all on the same imaginary horizontal line (referred to as "bones level") or 28mm (Ride Height Gauge # 1449). Check the ride height by lifting up the entire car about 8-12 inches off the bench and drop it. After the suspension "settles" into place, measure ride height (Ride Height Gauge # 1449). Add or Remove pre-load spacers as necessary so that the left & right driveshafts appear to be level.

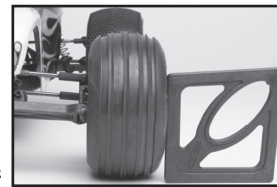


**!**  
\*Front arms inner and outer hinge pins should be in a imaginary horizontal line when ride height is set

**!**  
\*CVA bones should be in a straight line when ride height is set at "CVA bones level"

### Front Camber:

Camber describes the angle at which the tire and wheel rides when looked at from the front. Negative camber means that the tire leans inward at the top. A good starting camber setting is -1°. Positive camber, where the top of the tire is leaning out, is not recommended. Optional # 1719 camber gauge can be used to more accurately set camber.



**!**  
\*Testing camber with camber gauge

### Rear Camber:

Camber describes the angle at which the tire and wheel rides when looked at from the back. Negative camber means that the tire leans inward at the top. A good starting camber setting is -1°. Adding a small amount of positive camber, where the top of the tire is leaning out, will tend to improve straight-line acceleration on loose tracks. Optional # 1719 camber gauge can be used to more accurately set camber.

### Front Camber Links:

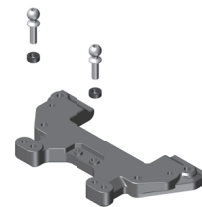
Changing the length of the camber link is considered a bigger step than adjusting the ball end height on the tower. Shortening the camber link (or lowering the ball end) will give the front end less roll and quicken steering response. Lengthening the camber link (or raising the ball end) will give the front more roll and slower steering response. Longer camber links are typically used on high grip tracks and shorter links tend to work better on medium-grip loose tracks.



**!**  
\*Raise or lower the ball end by adding or subtracting washers here

### Rear Camber Link:

Changing the length of the camber link is considered a bigger step than adjusting the ball end height on the rear chassis brace. Shortening the camber link (or lowering the ball end) will give the rear end less roll and the car will tend to accelerate or "square up" better. Lengthening the camber link (or raising the ball end) will give the rear more roll and more cornering grip. Longer camber links are typically used on high grip tracks, while shorter links tend to work better on medium grip loose tracks. The kit setting is the best compromise of cornering grip and acceleration.



**!**  
\*Raise or lower the ball end by adding or subtracting washers here

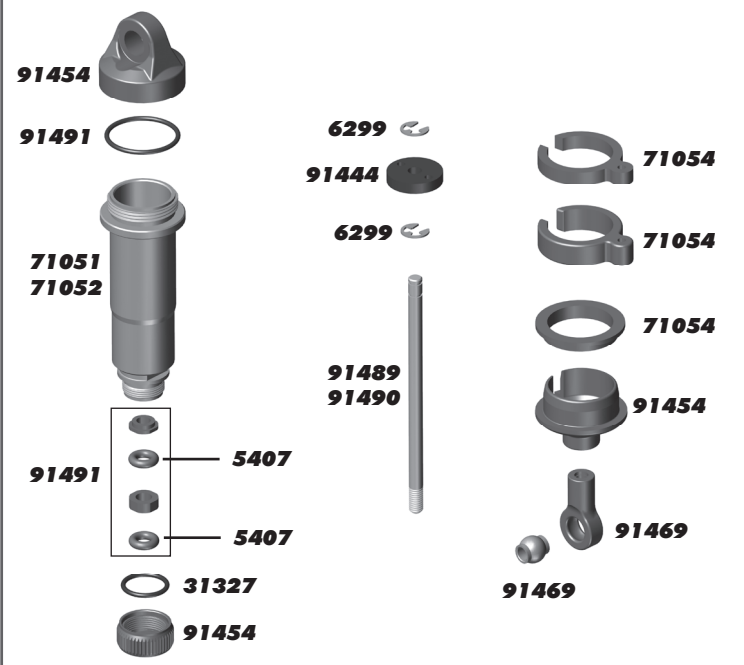
### Ackermann:

Ackermann is the angle difference between the front wheels when they are turned to steer the car. For minimal tire slip, it is standard for the inside wheel to steer to a greater angle than the outside wheel. The SC5M allows ackermann adjustments by changing the washer thickness used behind the steering rack ballstuds. The kit setup uses 2mm washers and is most common for racing conditions. If corner entry steering is too aggressive, try increasing the ackermann by removing shims from behind the steering rack ballstuds. Increasing the ackermann will increase the angle difference of the front wheels when steered, resulting in a more stable car on corner entry.



**:: Shocks**

5407	Red O-Rings	8
6299	E-Clip	12
31327	FT VCS3 Shock Bottom Caps	2
71051	Shock Body 12 x 27.5mm	2
71052	Shock Body 12 x 36mm	2
71054	Spring Clips and Retainer	1
91444	Shock Accessories Set	1
91454	Shock Caps and Spring Cups	4 ea.
91469	Shock Pivot Ball and Rod End	4
91489	27.5 x 3MM Shock Shaft	2
91490	35 x 3MM Shock Shaft	2
91491	12MM V2 Shock Rebuild Kit	1



**:: Shock Springs**

91635	12mm Front Spring (54mm) GRN 3.75	2
91636	12mm Front Spring (54mm) WHT 4.10	2
91637	12mm Front Spring (54mm) GRY 4.45	2
91639	12mm Rear Spring (72mm) GRN 2.20	2
91640	12mm Rear Spring (72mm) WHT 2.40	2
91641	12mm Rear Spring (72mm) GRY 2.60	2



**:: Shock Fluid**

5420	10 Weight Silicone Shock Fluid	2oz.
5421	20 Weight Silicone Shock Fluid	2oz.
5422	30 Weight Silicone Shock Fluid	2oz.
5423	40 Weight Silicone Shock Fluid	2oz.
5424	22.5 Weight Silicone Shock Fluid	2oz.
5425	80 Weight Silicone Shock Fluid	2oz.
5426	27.5 Weight Silicone Shock Fluid	2oz.
5427	15 Weight Silicone Shock Fluid	2oz.
5428	25 Weight Silicone Shock Fluid	2oz.
5429	35 Weight Silicone Shock Fluid	2oz.
5430	45 Weight Silicone Shock Fluid	2oz.
5431	55 Weight Silicone Shock Fluid	2oz.
5432	32.5 Weight Silicone Shock Fluid	2oz.
5433	37.5 Weight Silicone Shock Fluid	2oz.
5434	42.5 Weight Silicone Shock Fluid	2oz.
5435	50 Weight Silicone Shock Fluid	2oz.
5436	60 Weight Silicone Shock Fluid	2oz.
5437	70 Weight Silicone Shock Fluid	2oz.
5438	47.5 Weight Silicone Shock Fluid	2oz.



**:: Lubes & Adhesives / Misc.**

1105	FT Green Slime Shock Lube	1
1596	FT Locking Adhesive	1
1597	FT Tire Adhesive	1
6588	Black Grease - 4cc	1
6591	Diff Lube - 4cc	1
6636	Silicone Grease - 4cc	1
6727	Servo Tape	2

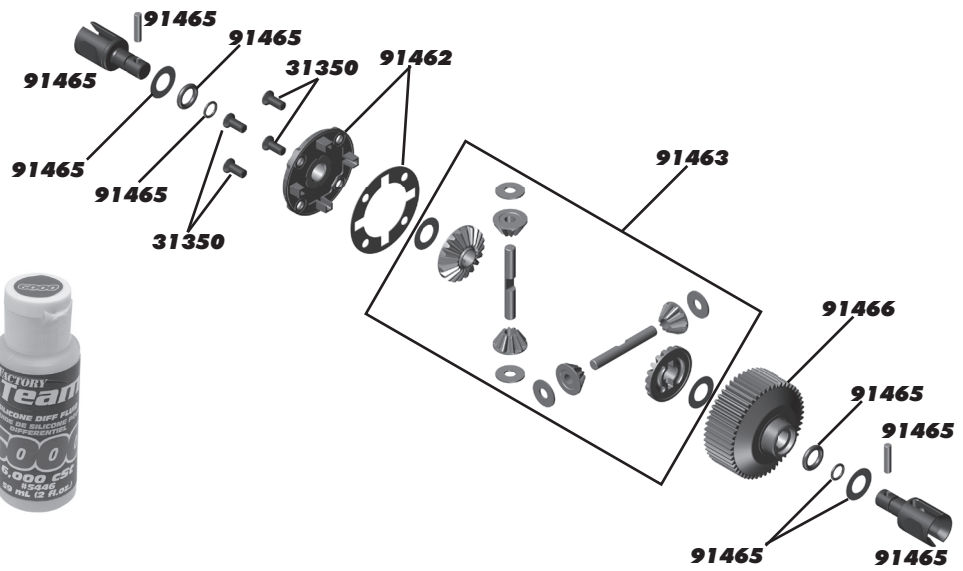


**:: Gear Differential**

31350	M2.5 x 10 FHCS	6
91462	Gear Diff Gear, Cover	1
91463	Gear Diff Rebuild	1
91465	Gear Diff Outdrives, B5	2
91466	Diff and Idler Gears	1

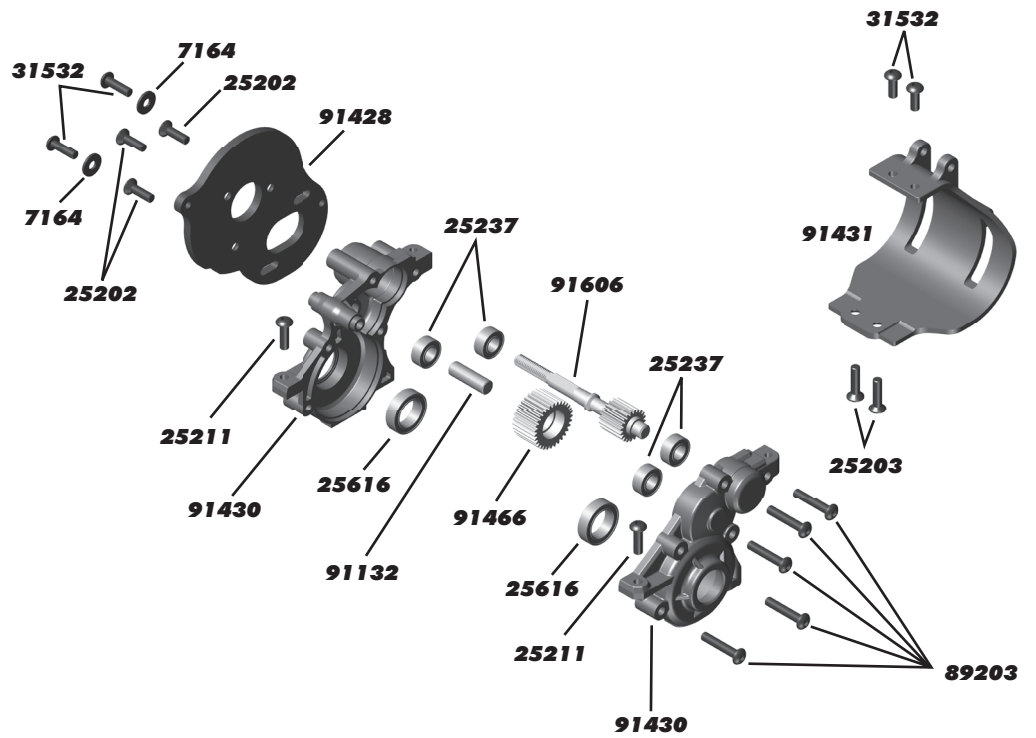
**:: Differential Fluids**

5444	Silicone Diff Fluid 4,000CST	1
5446	Silicone Diff Fluid 6,000CST	1
5447	Silicone Diff Fluid 15,000CST	1
5448	Silicone Diff Fluid 80,000CST	1
5450	Silicone Diff Fluid 1,000CST	1
5451	Silicone Diff Fluid 2,000CST	1
5452	Silicone Diff Fluid 3,000CST	1
5453	Silicone Diff Fluid 5,000CST	1
5454	Silicone Diff Fluid 7,000CST	1
5455	Silicone Diff Fluid 10,000CST	1
5456	Silicone Diff Fluid 20,000CST	1
5457	Silicone Diff Fluid 30,000CST	1
5458	Silicone Diff Fluid 60,000CST	1
5459	Silicone Diff Fluid 100,000CST	1
5461	Silicone Diff Fluid 200,000CST	1
5463	Silicone Diff Fluid 500,000CST	1
5464	Silicone Diff Fluid 1,000,000CST	1



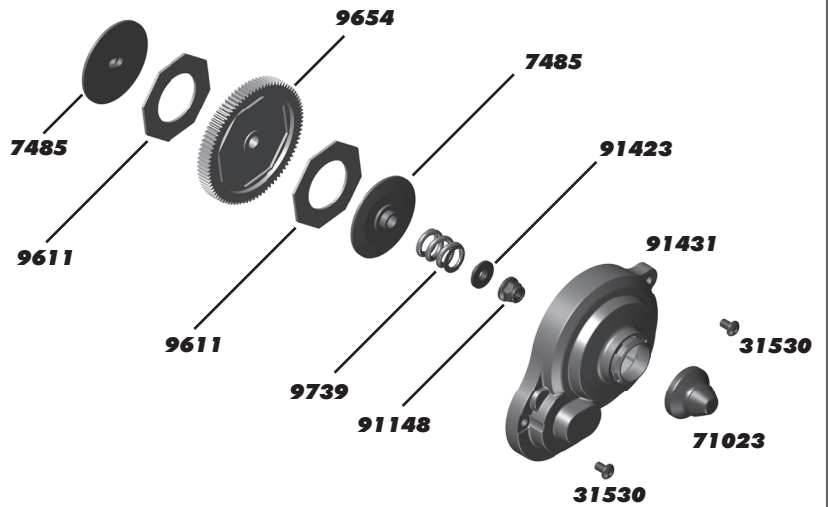
**:: Transmission**

7164	M3 x 6mm Washer	10
25202	M3 x 10mm FHCS	10
25203	M3 x 12mm FHCS	10
25211	M3 x 10mm BHCS	10
25237	Bearing, 5 x 10 x 4	2
25616	Bearing, 10 x 15 x 4	2
31532	M3 x 8mm BHCS	10
89203	M3 x 16mm BHC	10
91132	4x4 Idler Gear Shaft	1
91428	Motor Plate (Blue), B5	1
91430	Gearbox	Pr.
91431	Gear Cover / Motor Guard	1
91466	Diff and Idler Gear	1
91606	Aluminum Top Shaft V2	1



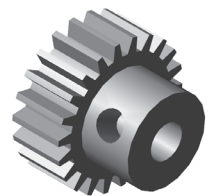
**:: Slipper Clutch**

7485	FT V2 Slipper Hubs	2
9611	Slipper Pad	2
9648	69T 48P Spur Gear	1
9649	72T 48P Spur Gear	1
9650	75T 48P Spur Gear	1
9651	81T 48P Spur Gear	1
9652	78T 48P Spur Gear	1
9653	84T 48P Spur Gear	1
9654	87T 48P Spur Gear (Kit)	1
9739	Slipper Spring	1
31530	M3 x 5 BHCS	10
71023	Belt Cover Cap	2
91148	M4 Locknut, w/flange and knurl	4
91423	Slipper Spring Adapter	2
91431	Gear Cover (Black)	1



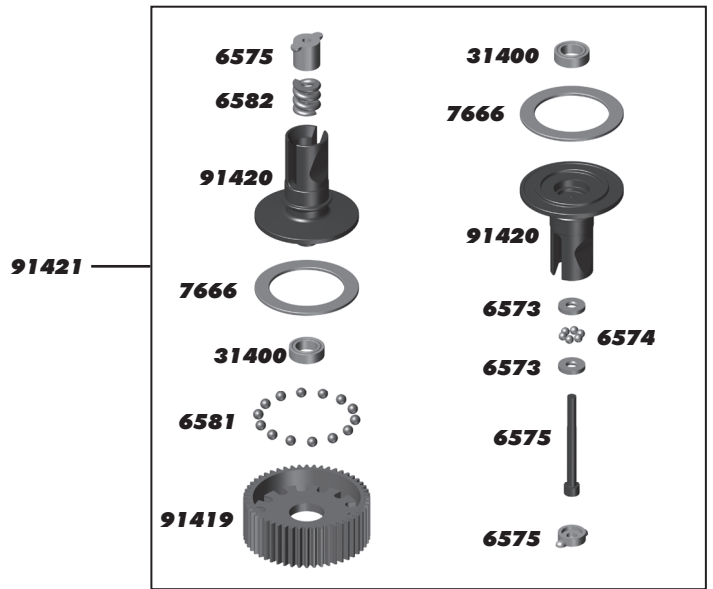
**:: Pinion Gears**

1335	17T 48P Aluminum Pinion Gear	1	1349	31T 48P Aluminum Pinion Gear	1
1336	18T 48P Aluminum Pinion Gear	1	1350	32T 48P Aluminum Pinion Gear	1
1337	19T 48P Aluminum Pinion Gear	1	1351	33T 48P Aluminum Pinion Gear	1
1338	20T 48P Aluminum Pinion Gear	1	1352	34T 48P Aluminum Pinion Gear	1
1339	21T 48P Aluminum Pinion Gear	1	1353	35T 48P Aluminum Pinion Gear	1
1340	22T 48P Aluminum Pinion Gear	1	25225	M3 x 3mm Set Screw	20
1341	23T 48P Aluminum Pinion Gear	1			
1342	24T 48P Aluminum Pinion Gear	1			
1343	25T 48P Aluminum Pinion Gear	1			
1344	26T 48P Aluminum Pinion Gear	1			
1345	27T 48P Aluminum Pinion Gear	1			
1346	28T 48P Aluminum Pinion Gear	1			
1347	29T 48P Aluminum Pinion Gear	1			
1348	30T 48P Aluminum Pinion Gear	1			



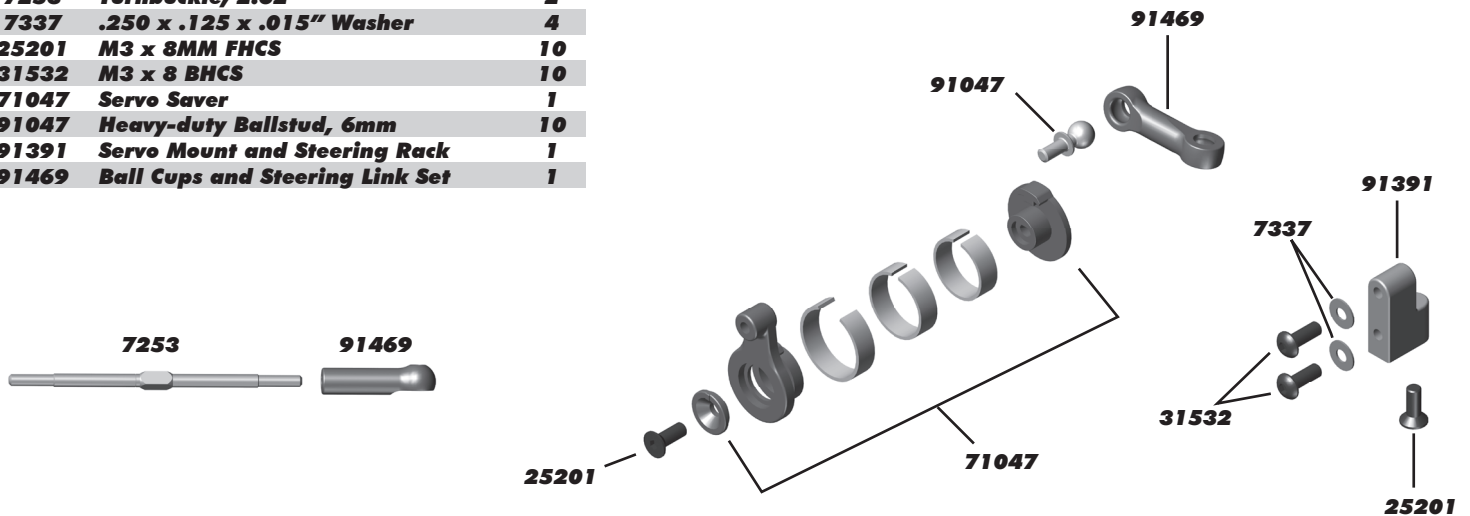
### :: Optional Ball Differential

6573	Diff Thrust Washer & Bolt	2
6574	Precision Diff Thrust Balls, 5/64"	6
6575	Locking T-Nut, Diff Thrust Bolt, & Cover	1
6581	3/32" Carbide Diff Balls	14
6582	Diff Thrust Spring	1
7666	Diff Drive Rings, 2.60:1	2
7677	Ball Diff Rebuild Kit	1
31400	Bearing, 5 x 8mm	2
91419	Diff Gear, B5	1
91420	Ball Diff Outdrive, B5	1 ea.
91421	Ball Diff Kit, B5	1



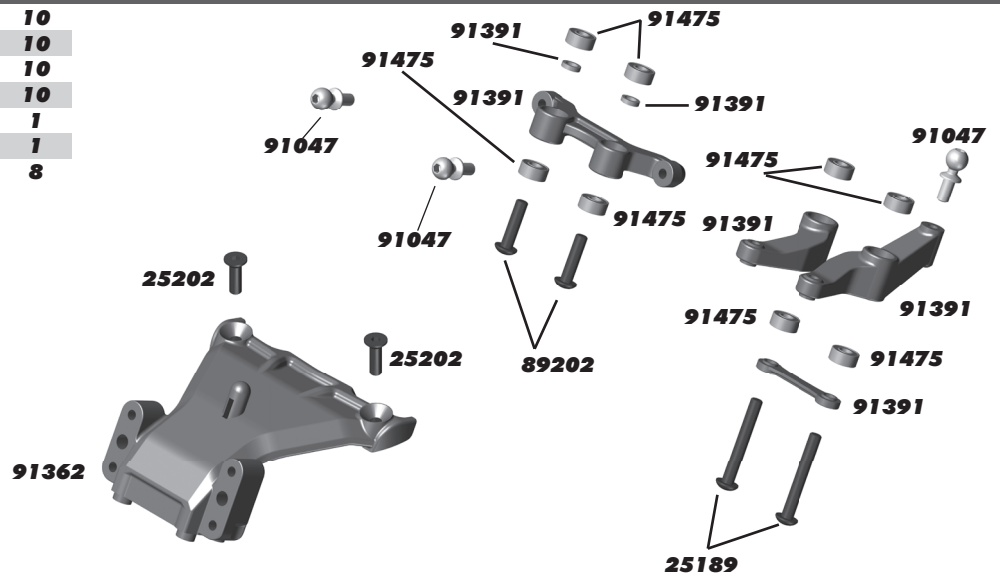
### :: Turnbuckles and Servo Mounts

7253	Turnbuckle, 2.62"	2
7337	.250 x .125 x .015" Washer	4
25201	M3 x 8MM FHCS	10
31532	M3 x 8 BHCS	10
71047	Servo Saver	1
91047	Heavy-duty Ballstud, 6mm	10
91391	Servo Mount and Steering Rack	1
91469	Ball Cups and Steering Link Set	1



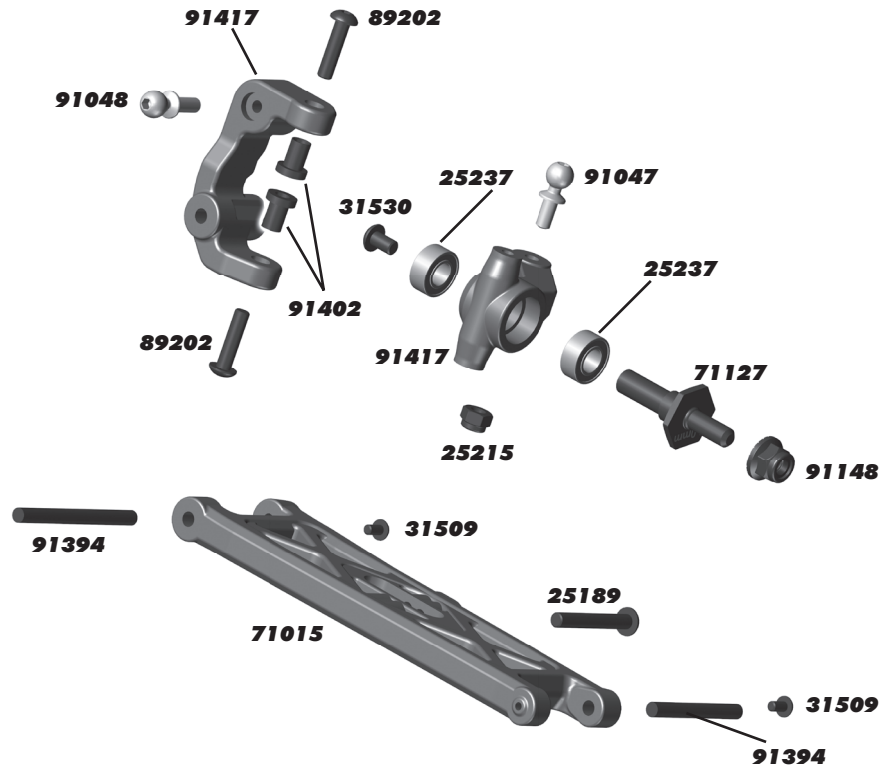
### :: Front Bulkhead / Steering

25189	M3 x 22mm BHCS	10
25202	M3 x 10mm FHCS	10
89202	M3 x 12mm BHCS	10
91047	Heavy-duty Ballstud, 6mm	10
91362	Top Plate	1
91391	Steering Set, B5	1
91475	3x7x3 Ball Bearing	8



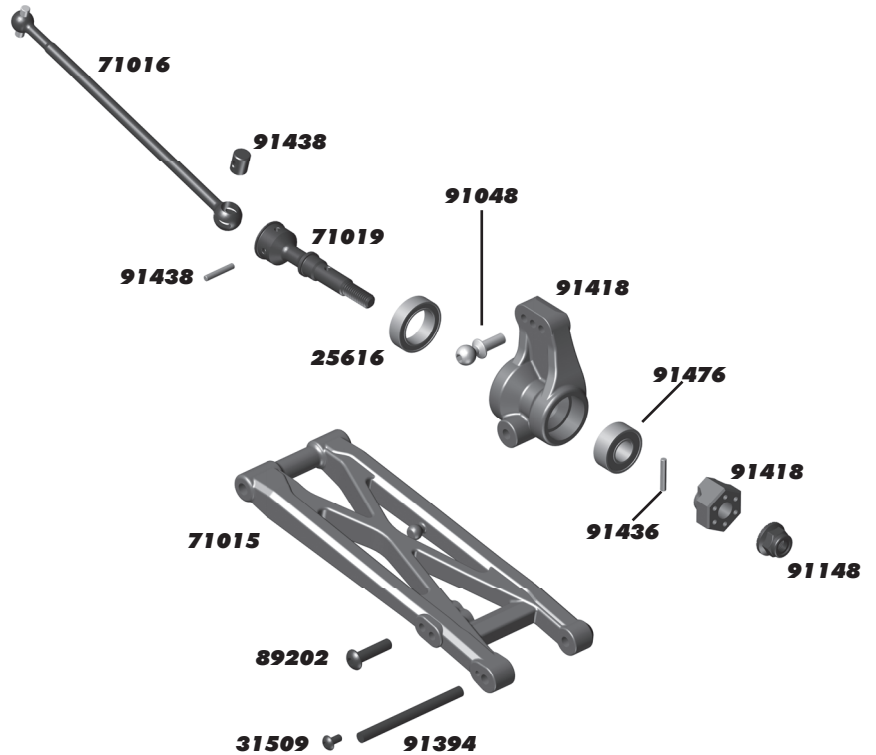
**:: Front Arm**

25189	M3 x 22mm BHCS	10
25215	M3 Locknut, Black	20
25237	Bearing, 5 x 10 x 4	2
31509	M2 x 3mm BHCS	10
31530	M3 x 5mm BHCS	10
71015	Suspension Arm Set	1
71127	Front Axle	2
89202	M3 x 12mm BHCS	10
91047	Heavy-duty Ballstud, 6mm	10
91048	Heavy-duty Ballstud, 8mm	10
91148	M4 Locknut, with flange and knurl	8
91394	Hinge Pin Set, B5	1
91402	Caster Block Bushing, B5	4
91417	Caster and Steering Blocks	Pr.



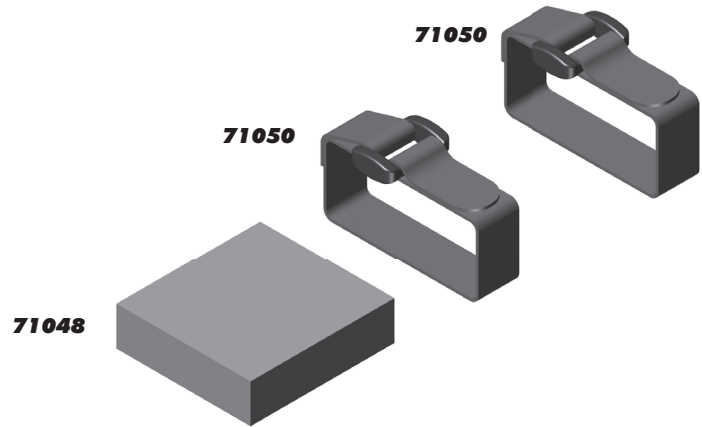
**:: Rear Arm**

25616	Bearing, 10 x 15 x 4	2
31509	M2 x 3mm BHCS	10
71015	Suspension Arm Set	1
71016	RC10T5M CVA Bone	2
71019	RC10T5M HD CVA Axle	2
89202	M3 x 12mm BHCS	10
91048	Heavy-duty Ballstud, 8mm	10
91148	M4 Locknut, with flange and knurl	8
91394	Hinge Pin Set, B5	1
91418	Rear Hubs and Wheel Hexes	Pr.
91436	CVA/Wheel Hex Pin, B5	4
91438	CVA Rebuild Kit, B5	1
91476	6x13x5 Ball Bearing	2



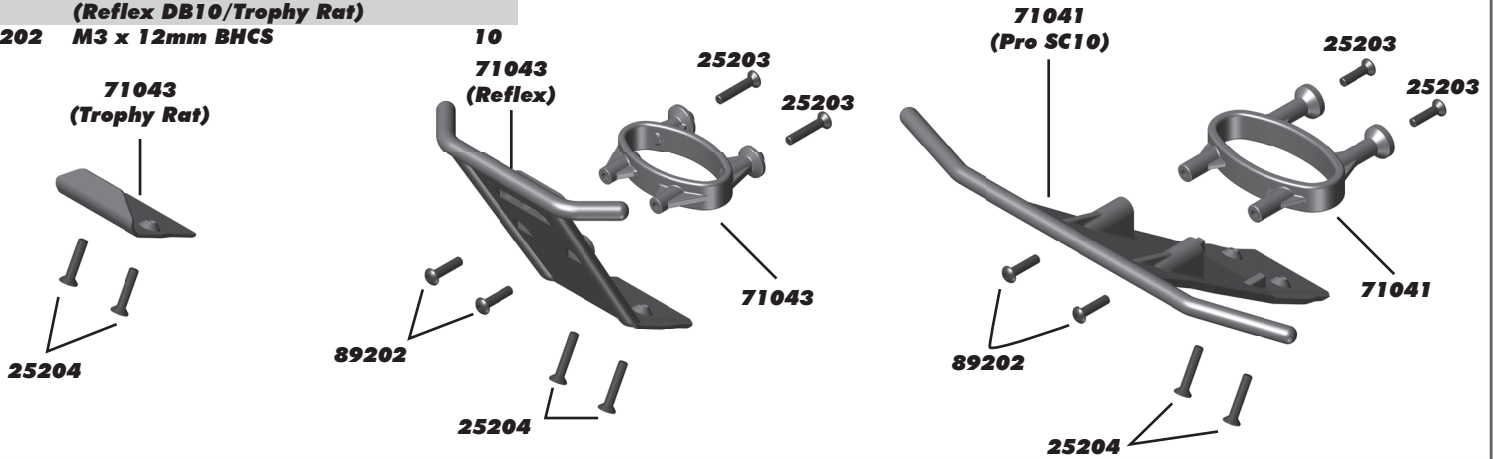
**:: Battery Strap**

<b>71048</b>	<b>Battery Foam</b>	<b>1</b>
<b>71050</b>	<b>Hook and Loop Straps</b>	<b>2</b>



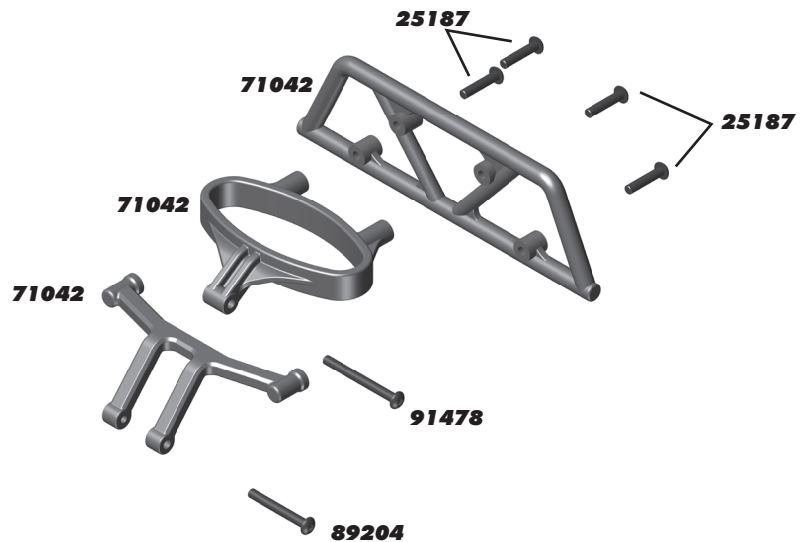
**:: Front Bumpers**

<b>25203</b>	<b>M3 x 12mm FHCS</b>	<b>10</b>
<b>25204</b>	<b>M3 x 16mm FHCS</b>	<b>10</b>
<b>71041</b>	<b>Front Bumper (Pro SC10)</b>	<b>1</b>
<b>71043</b>	<b>Front Bumper (Reflex DB10/Trophy Rat)</b>	<b>1</b>
<b>89202</b>	<b>M3 x 12mm BHCS</b>	<b>10</b>



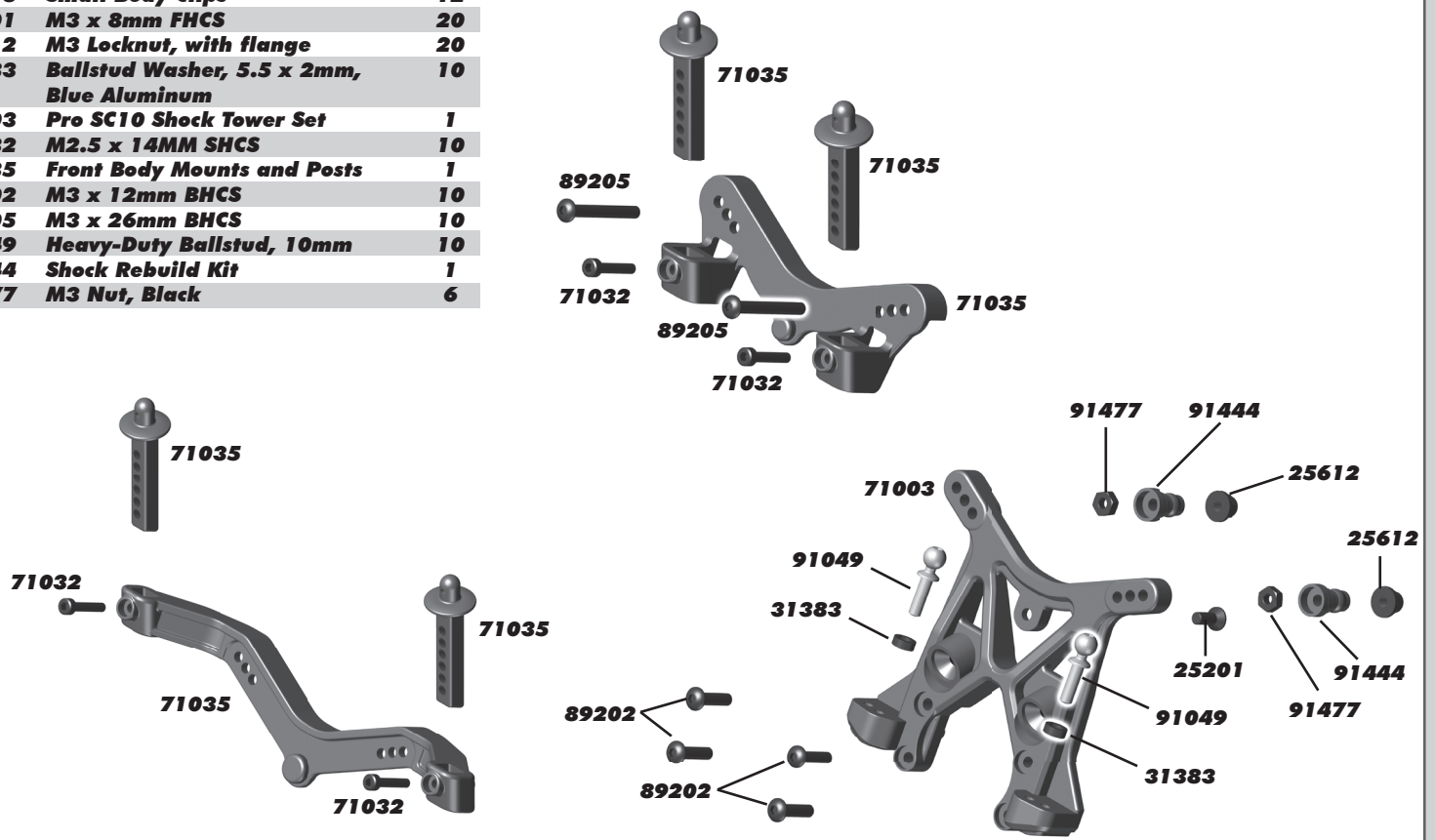
**:: Rear Bumper**

<b>25187</b>	<b>M3 x 14mm BHCS</b>	<b>10</b>
<b>71042</b>	<b>Rear Bumper</b>	<b>1</b>
<b>89204</b>	<b>M3 x 24mm BHCS</b>	<b>10</b>
<b>91478</b>	<b>M3 x 30mm BHCS</b>	<b>10</b>



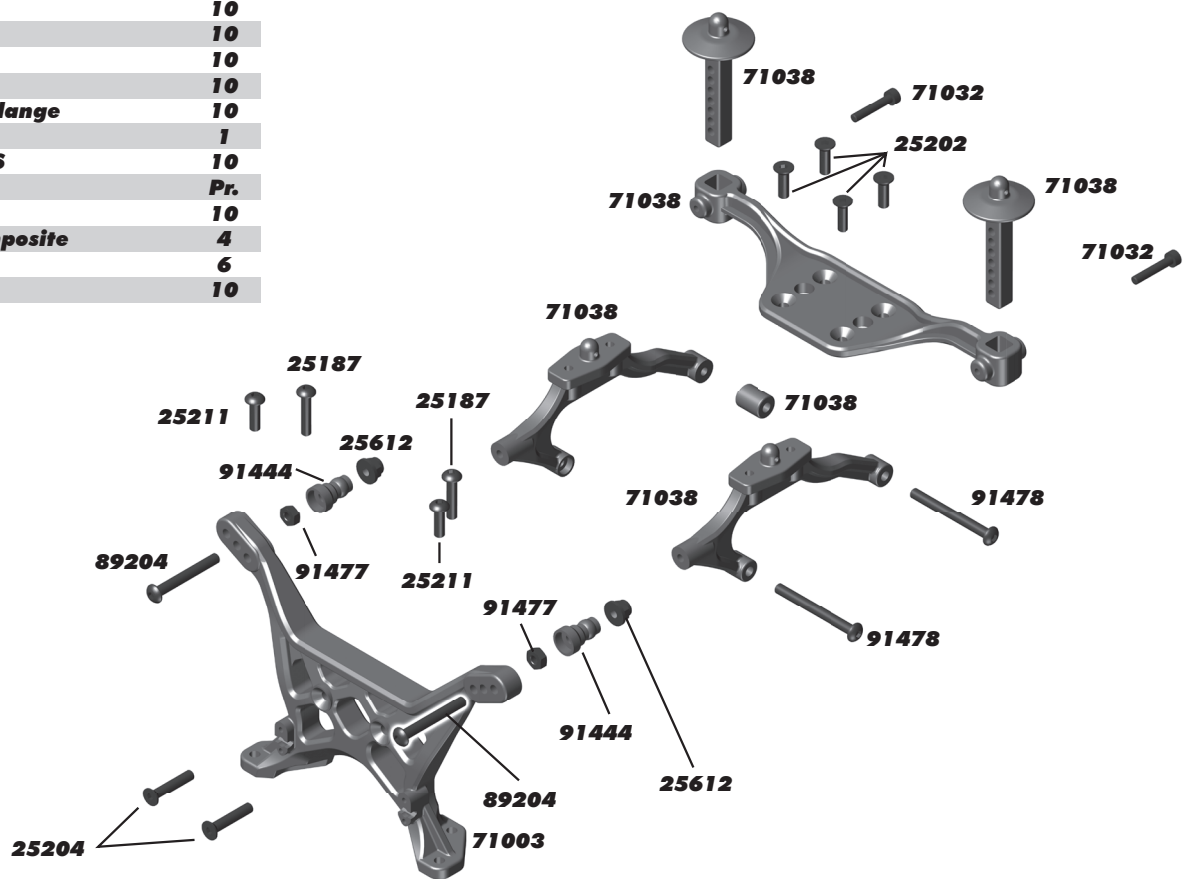
## :: Front Shock Tower

<b>21173</b>	<b>Small Body Clips</b>	<b>12</b>
<b>25201</b>	<b>M3 x 8mm FHCS</b>	<b>20</b>
<b>25612</b>	<b>M3 Locknut, with flange</b>	<b>20</b>
<b>31383</b>	<b>Ballstud Washer, 5.5 x 2mm, Blue Aluminum</b>	<b>10</b>
<b>71003</b>	<b>Pro SC10 Shock Tower Set</b>	<b>1</b>
<b>71032</b>	<b>M2.5 x 14MM SHCS</b>	<b>10</b>
<b>71035</b>	<b>Front Body Mounts and Posts</b>	<b>1</b>
<b>89202</b>	<b>M3 x 12mm BHCS</b>	<b>10</b>
<b>89205</b>	<b>M3 x 26mm BHCS</b>	<b>10</b>
<b>91049</b>	<b>Heavy-Duty Ballstud, 10mm</b>	<b>10</b>
<b>91444</b>	<b>Shock Rebuild Kit</b>	<b>1</b>
<b>91477</b>	<b>M3 Nut, Black</b>	<b>6</b>



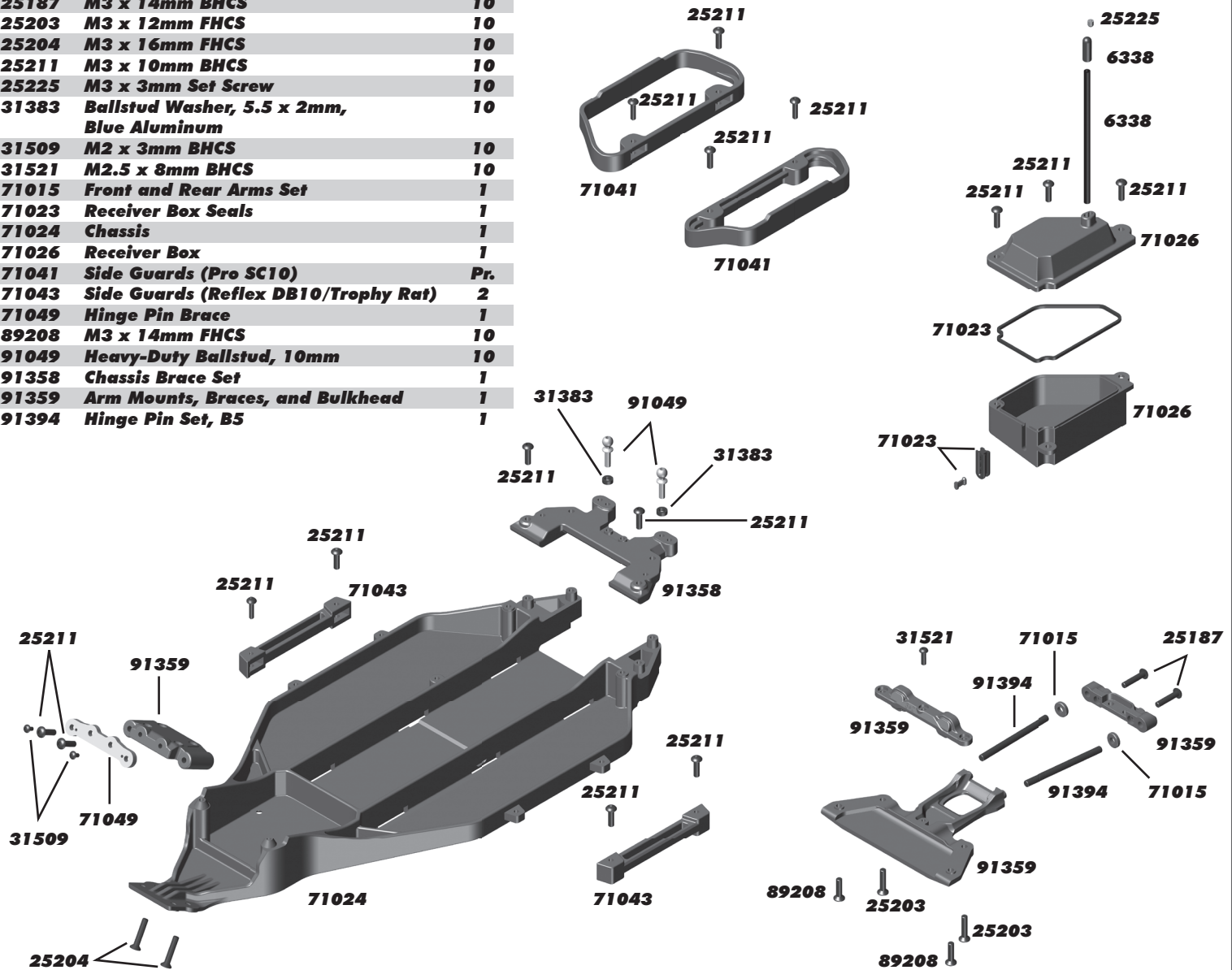
## :: Rear Shock Tower

<b>25187</b>	<b>M3 x 14mm BHCS</b>	<b>10</b>
<b>25202</b>	<b>M3 x 10mm FHCS</b>	<b>10</b>
<b>25204</b>	<b>M3 x 16mm FHCS</b>	<b>10</b>
<b>25211</b>	<b>M3 x 10mm BHCS</b>	<b>10</b>
<b>25612</b>	<b>M3 Locknut, with Flange</b>	<b>10</b>
<b>71003</b>	<b>Shock Tower Set</b>	<b>1</b>
<b>71032</b>	<b>M2.5 x 14MM SHCS</b>	<b>10</b>
<b>71038</b>	<b>Rear Body Mounts</b>	<b>Pr.</b>
<b>89204</b>	<b>M3 x 24mm BHCS</b>	<b>10</b>
<b>91444</b>	<b>Shock Bushing Composite</b>	<b>4</b>
<b>91477</b>	<b>M3 Nut, Black</b>	<b>6</b>
<b>91478</b>	<b>M3 x 30mm BHCS</b>	<b>10</b>



**:: Chassis**

6338	Antenna Tube & Cap (black)	1
25187	M3 x 14mm BHCS	10
25203	M3 x 12mm FHCS	10
25204	M3 x 16mm FHCS	10
25211	M3 x 10mm BHCS	10
25225	M3 x 3mm Set Screw	10
31383	Ballstud Washer, 5.5 x 2mm, Blue Aluminum	10
31509	M2 x 3mm BHCS	10
31521	M2.5 x 8mm BHCS	10
71015	Front and Rear Arms Set	1
71023	Receiver Box Seals	1
71024	Chassis	1
71026	Receiver Box	1
71041	Side Guards (Pro SC10)	Pr.
71043	Side Guards (Reflex DB10/Trophy Rat)	2
71049	Hinge Pin Brace	1
89208	M3 x 14mm FHCS	10
91049	Heavy-Duty Ballstud, 10mm	10
91358	Chassis Brace Set	1
91359	Arm Mounts, Braces, and Bulkhead	1
91394	Hinge Pin Set, B5	1

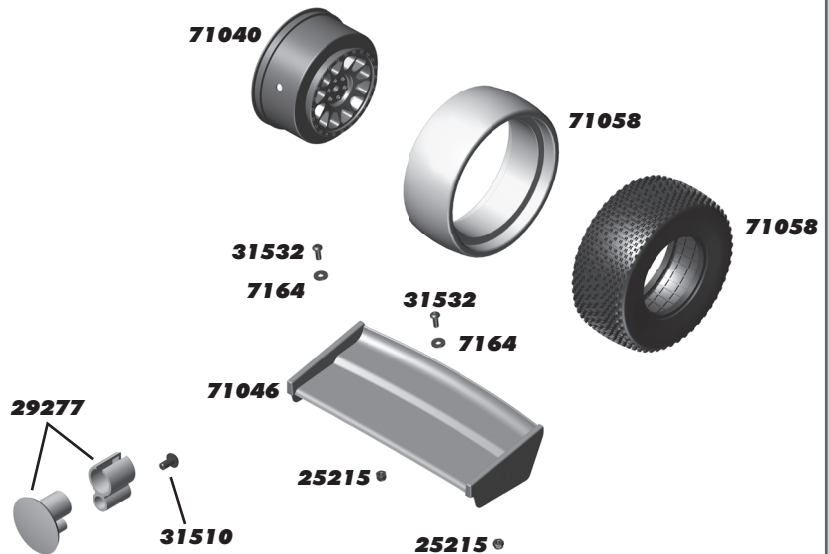


**:: Bodies and Wheels**

71040	Method 12mm Hex Wheel, Black	2
71058	Multi-Terrain Tire w/ Inserts	2

**:: Body and Decals**

7164	Washers, 3x6x0.5mm	10
9876	SC10 Contender Body, Clear	1
25215	Locknuts, M3	20
29277	XP Head Lights and Mounts	1
31510	M2 x 4mm BHCS	10
31532	M3 x 8mm BHCS	10
71045	Trophy Rat Body, Clear	1
71046	Reflex DB Body, Clear	1
71056	Trophy Rat Body, Painted	1
71057	Reflex DB10 Body, Painted	1
71059	RJ / Rockstar Energy Body, Painted	1
71060	AE Team Body, Painted	1
72000	PRO2 SC10 Contender Body, Painted	1



**:: Lubes & Adhesives / Decals / Misc.**

1105	FT Green Slime Shock Lube	1
1596	FT Locking Adhesive	1
1597	FT Tire Adhesive	1
6588	Black Grease - 4cc	1
6591	S.Diff Lube - 4cc	1
6636	Silicone Grease - 4cc	1
6727	Servo Tape	2



726	Reedy 2016 Sticker Set	1
3840	2016 Team Associated Decal Sheet	1

**:: MyLaps Transponders**

MLP10R120	MyLaps RC4 (3-wire) Transponder	1
MLP10R147	MyLaps RC4 (3 wire) Transponder, black	1
MLP40R222	MyLaps Transponder Holder	1

**:: Factory Team and Option Parts**

1408	FT Ti Turnbuckle, 2.65"/67mm (blue)	Pr.
1409	FT Ti Turnbuckle, 1"/25.5mm (sway bar) (blue)	Pr.
1734	FT Blue Body Clip, 4 long, 6 short	10
1736	FT Blue Body Clip, short	6
7495	Vented V2 Slipper Hubs	2
25392	FT Locknuts, 3mm Aluminum, Blue	10
27128	Servo Washers, Aluminum, Black	4
31381	FT Ballstud Washer, Aluminum (0.5mm)	10
31382	FT Ballstud Washer, Aluminum (1.0mm)	10
31383	FT Ballstud Washer, Aluminum (2.0mm)	10
71014	Clamping Wheel Hex (8.5mm)	2
71019	HD CVA Axle, T5M	2
91179	FT VTS Slipper Hub, outer	1
91387	FT Aluminum Arm Mount (D)	1
91389	Arm Mount Insert (D), B5	1
91392	Aluminum Steering Set, B5	1
91447	Shock Bushing Ball, B5 - Req. #91446	4
91464	FT Aluminum Gear Diff Cover	1
91492	12mm V2 Bleeder Gasket/Screw	1
91493	FT Low Friction X-Rings	8
91495	12mm V2 X-Ring Rebuild Kit (4 clear x rings, 2 spacers, 4 hat bushings)	1
91548	RC10B5 Aluminum Rear Hubs (Blue)	Pr.
91550	RC10B5 Rear Hub Bearing Inserts	2 ea.
91553	Factory Team Bearing Kit, B5, B5M, T5M, SC5M	1
91560	5x10x4mm Factory Team Bearings	4
91562	6x13x5mm Factory Team Bearings	4
91563	10x15x4mm Factory Team Bearings Titanium	4
91579	FT 12 x 36 Shock Body (V2), threaded	2
91609	Clamping Wheel Hex, (5.0mm offset)	2
91610	Clamping Wheel Hex, (7.0mm offset)	2
91619	3 x 27.5 Shock Shafts (V2), TiN	2
91623	3 x 35 Shock Shafts (V2), TiN	2
91624	FT 3 x 35 Shock Shafts (V2), Chrome	2
91626	FT 12mm Pistons (V2), 2 x 1.6, flat	4
91627	FT 12mm Pistons V2, 2 x 1.7, flat	4
91628	FT 12mm Pistons (V2), 3 x 1.4, flat	4
91630	FT 12mm Pistons (V2), Blank, flat	4
91631	FT 12mm Pistons (V2), 3 x 1.4, tapered	4
91633	FT 12mm Pistons (V2), Blank, tapered	4

**:: Reedy Electronics****SERVOS AND SERVO ACCESSORIES**

27100	RS1206 Digital HV Hi-Speed Competition Servo	1
27101	RT1508 Digital HV Hi-Torque Competition Servo	1
27102	RS1206 Servo Case Set w/screws	1
27103	RS1206 Servo Gear Set	1
27105	RT1508 Servo Gear Set	1
27111	1514MG Digital RTR Servo	1
27114	RT2406 Digital HV Brushless Competition Servo	1
27115	RT2706A Digital HV Alum. Brushless Comp. Servo	1
27130	1514MG Servo Gear Set	1
27135	RT2406 Gear Set	1
27136	RT2706A Gear Set	1
27139	RT2406 Case Set	1

**SPORTS MOTOR**

907	540-SL4 3300kv 4-pole Sensorless Brushless Motor	1
-----	---	---

**ELECTRONIC SPEED CONTROLS**

29180	SC800-BL ESC	1
29184	SC800-BL/SC1000-BL/SC1000-DB/SC600-BL Switch	1
29185	SC600-BL Brushless ESC	1
29186	SC600-BL Fan	1

**:: XP/AE Electronics**

29203	AE XP120 2.4GHz 2CH Radio System	1
29204	AE XP-R4 2.4GHz 4CH Receiver	1
29257	AE XP130 2.4GHz 3CH Radio System	1

**:: Reedy Batteries**

302	AA Alkaline 1.5V (4)	1
751	Wolfpack LiPo 3300mAh 30C 7.4V w/T-Plug	1
752	Wolfpack LiPo 4000mAh 35C 7.4V w/T-Plug	1
753	Wolfpack LiPo 5400mAh 35C 7.4V w/T-Plug	1
755	Wolfpack LiPo 4500mAh 35C 11.1V w/T-Plug	1
758	Wolfpack LiPo 3000mAh 30C 7.4V w/T-Plug	1
759	Wolfpack LiPo 3000mAh 30C 11.1V w/T-Plug	1
27313	LiPo Pro TX/RX 2400mAh 7.4V Flat	1
27315	LiFe Pro TX/RX 1600mAh 6.6V Flat	1

**:: Reedy Chargers / Accessories****CHARGERS**

27200	1216-C2 Dual AC/DC Competition Battery Charger	1
27201	324-S AC LiPo/LiFe Compact Balance Charger	1
27201C2	324-S Charger w/3300mAh 7.4V LiPo Battery	1
27201C2	324-S Charger w/4500mAh 11.1V LiPo Battery	1
27202	123-S AC LiPo Compact Balance Charger	1
27220	7-in-1 Universal Charge Lead (4mm)	1
27221	T-plug Charge Lead (4mm)	1
27222	XH 2-6S Balance Board (4mm)	1
27223	RX Charger Lead FUT (4mm)	1
27224	US to IEC 320 C5 angle 1M AC Power Cord	1

**ACCESSORIES**

647	Silicone Wire 12AWG-Black (1m)	1
648	Silicone Wire 14AWG-Black (1m)	1
650	Shrink Tubing - 15pcs 4.5mm x 20mm	1
747	Silicone Wire 12AWG-Black (30m)	1
790	Silicone Wire 13AWG-Black (1m)	1
791	Silicone Wire 13AWG-Black (30m)	1



**:: Apparel / Promotional****TEE SHIRTS**

SP124*	AE 2017 Worlds Tee, Black (S, M, L, XL-5XL)	1
SP126*	Team Associated Tri T-Shirt, Black, (S, M, L, XL-5XL)	1
SP128*	Team Associated Womens Tri T-Shirt, Black, (S, M, L)	1
SP129*	Team Associated Youth Tri T-Shirt, Black, (S, M, L)	1
SP143*	Reedy W19 T-Shirt, Black, (S, M, L, XL-3XL)	1
SP200*	Element RC Logo T-Shirt, Gray, (S, M, L, XL-5XL)	1
SP201*	Element RC Rhombus T-Shirt, Black, (S, M, L, XL-5XL)	1

**HOODIES/JACKETS**

SP125*	AE 2017 Worlds Pullover, Black, (S, M, L, XL-3XL)	1
SP127*	Team Associated Tri Zip-Up, Black, (S, M, L, XL-3XL)	1
SP231*	Element RC Logo Pullover, Black, (S, M, L, XL-5XL)	1
SP142*	Reedy W19 Pullover, Black, (S, M, L, XL-3XL)	1
SP160*	Factory Team Logo Lightweight "Medal" Zip Up Streaked, Black, (S, M, L, XL-4XL)	1

**HATS**

SP20	AE Patch Trucker Hat	1
SP260	Element RC Hat, Curved Bill, Black	1
SP261	Element RC Hat, Flat Bill, Black	1
SP430	Reedy Trucker Hat 2018	1
SP431	Team Associated Tri Trucker Hat, Flat Bill, Black	1
SP432	Team Associated Tri Trucker Hat, Curved Bill, Black	1
SP434	Factory Team Logo Trucker Hat, Flat Bill	1
SP435	Factory Team Logo Trucker Hat, Curved Bill	1

**BANNERS/MATS CARRIERS**

SP115	Reedy Circuit Cloth Banner	1
SP116	Reedy Power Vinyl Banner, 48x24	1
SP117	Reedy power Cloth Banner, 96x24	1
SP118	Reedy Power Cloth Banner, 48x24	1
SP300	Team Associated Vinyl Banner, 48x24	1
SP301	Factory Team Vinyl Banner, 48x24	1
SP302	Team Associated Cloth Banner, 96x24	1
SP303	Team Associated Cloth Banner, 48x24	1
SP304	Factory Team Cloth Banner, 96x24	1
SP305	Factory Team Cloth Banner, 48x24	1
SP425	FT Fluid Carrier	1

\* Use part number plus the desired size when ordering!

**:: Tools**

1111	FT Turnbuckle Wrench	1
1112	FT 4mm Turnbuckle Wrench	1
1114	FT Dual Turnbuckle Wrench	1
1449	Off Road Ride Height Gauge	1
1452	FT TC Ride Height Gauge	1
1498	FT Universal Tire Balancer	1
1499	FT Body Reamer	1
1500	FT 1.5mm Hex Driver	1
1501	FT 2.0mm Hex Driver	1
1502	FT 2.0mm Ball Hex Driver	1
1503	FT 2.5mm Hex Driver	1
1504	FT 2.5mm Ball Hex Driver	1
1505	FT 3.0mm Hex Driver	1
1506	FT 5.0mm Hex Driver	1
1507	FT 5.5mm Nut Driver	1
1508	FT 7.0mm Nut Driver	1
1518	FT Hex Driver Tool Set, 3pc (1.5, 2.0, 2.5)	1
1519	FT Hex/Nut Driver Tool Set, 5pc.	1
1522	FT Professional Mini Digital Scale	1
1545	FT 5/64" Blue Hex Driver	1
1555	FT Clutch Gauge, 4 Shoe	1
1568	FT 5.5mm Short Nut Driver	1
1569	FT 7mm Nut Driver, T-Handle	1
1570	FT 5.5mm Short Nut Driver	1
1571	FT 1:8 Wheel Nut Wrench, 17mm Hex	1
1579	FT Ball Cup Wrench	1
1657	FT 1/4" Hex Drive .050" Tip	1
1658	FT 1/4" Hex Drive 1/16" Tip	1
1659	FT 1/4" Hex Drive 5/64" - 2.0mm Tip	1
1660	FT 1/4" Hex Drive 3/32" Tip	1
1661	FT 1/4" Hex Drive 1.5mm Tip	1
1662	FT 1/4" Hex Drive 2.5mm Tip	1
1663	FT 1/4" Hex Drive 3/16" Nut Driver Tip	1
1664	FT 1/4" Hex Drive 1/4" Nut Driver Tip	1
1665	FT 1/4" Hex Drive 11/32" Nut Driver Tip	1
1666	FT 1/4" Hex Drive 5.5mm Nut Driver Tip	1
1667	FT 1/4" Hex Drive 7.0mm Nut Driver Tip	1
1668	FT 1/4" Hex Drive 8.0mm Nut Driver Tip	1
1669	FT 1/4" Hex Drive 5/64" - 2.0mm Ball End Tip	1
1670	FT 1/4" Hex Drive 3/32" Ball End Tip	1
1671	FT 1/4" Hex Drive Standard Screwdriver Tip	1
1672	FT 1/4" Hex Drive Phillips Screwdriver Tip	1
1674	FT 1/4" 5 Piece Power Tool Tips Set (5/64-2.0mm, 1.5mm, 2.5mm, 5/64"- 2.0mm ball, 2.5mm ball)	1
1675	FT Shock Shaft Pliers	1
1679	FT T-Handle Ratchet Driver	1
1719	FT Camber + Track Width Tool	1
1737	FT Body Scissors	1
3718	12 Inch Nylon Wire Ties	12
3987	FT Droop Gauge	1

# **TEAM ASSOCIATED**

WORLD CHAMPION R / C CARS

**Associated Electrics, Inc.**  
**21062 Bake Parkway Lake Forest, CA 92630 USA**

**call: (949) 544-7500 - fax: (949) 544-7501**

**Check out the following web sites for all of our kits,  
current products, new releases, setup help, tips, and racing info!**

**[www.AssociatedElectrics.com](http://www.AssociatedElectrics.com)**

## **FOLLOW US ON SOCIAL MEDIA**



**TeamAssociated**  
**ReedyPower**  
**ElementRC**



**@TeamAssociatedRC**  
**@ReedyPower**  
**@Element\_RC**



**@Team\_Associated**  
**@ReedyPower**



**AEFactoryTeam**