

For Immediate Release: July 17, 2023

#30127 Apex2 Sport ST550 RTR
#30127C Apex2 Sport ST550 RTR LiPo Combo



ELECTRIC ■ ON ROAD ■ 1:10 SCALE ■ 4 WHEEL DRIVE ■ RTR

Team Associated's all-new ST550 Super Touring Race Car is a highly detailed and fun-to-drive Ready-to-Run RC car. Built on a budget-friendly Apex2 Sport chassis, the ST550 includes some of the latest features in racing. A front and rear independent suspension with coil-over shocks and active rear toe give the Apex2 Sport the ultimate in handling on uneven tarmac. This makes it a perfect platform for the Super Touring race class!

The **#30127C LiPo Combo** includes a Reedy Compact Balance Charger and Reedy 7.4V 2S LiPo Battery with T-plug.

Super Touring Racing

Super Touring is a segment of motorsports that got its start in the mid-90s. These cars were based on production road cars with extensive modifications made for racing. It quickly became popular among motorsport enthusiasts and RC racers alike. Many RC manufacturers jumped on the popularity of this new class of racing, with Team Associated's entry being the TC3 back in 1999.

Fast-forward to today and the Super Touring class, now called "New Generation V8 Supercar," is still popular. Once again Team Associated has jumped into this popular class, this time with the Apex2 Sport ST550 Super Touring Car chassis. The ST550 features realistic modern-day race car looks, such as injection-molded disk brakes, spoiler, mirrors, and race-inspired graphics.

HIGHLIGHTS

APEX² SPORT



For better handling, A-arm front and rear independent suspension keeps the Apex2 chassis under control during the closest of racing conditions



Coil-over shock absorbers smooth out the bumps when ripping around the track



The Apex2 Sport comes equipped with Reedy SC500X programmable brushed ESC (program card sold separately) with T-plug connector and Reedy's 550 15-turn 3-slot motor



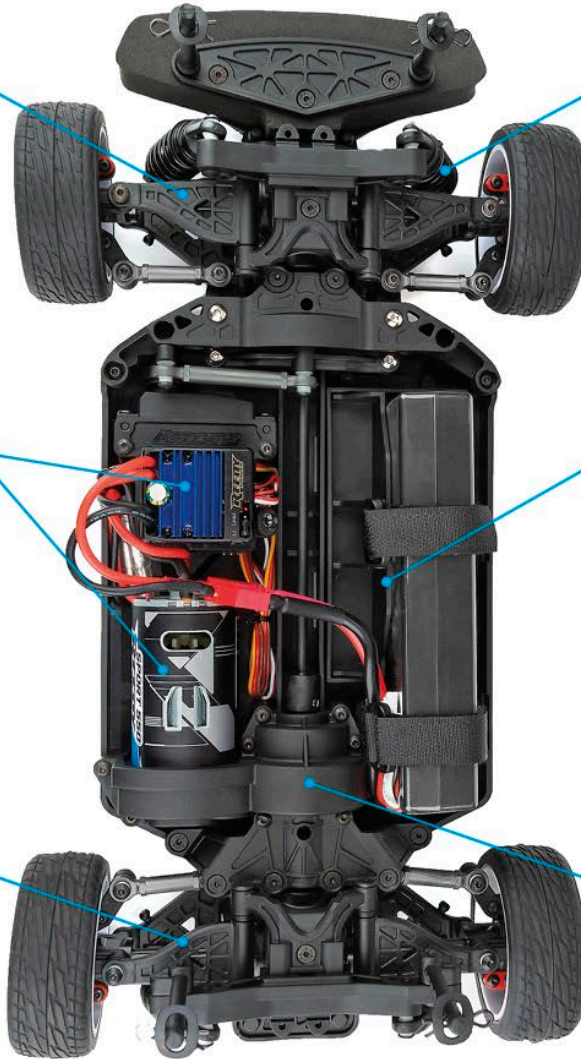
Redesigned chassis layout allows for either a shorty or standard battery configuration to be used for maximum performance or runtime



Active rear suspension allows the amount of toe change to be adjusted through the suspension cycle, increasing or decreasing rear grip



A sealed center driveline keeps dirt and debris out for smooth and reliable power delivery



Injection-molded brake calipers and rotors give the Apex2 Sport chassis scale looks



The injection-molded spoiler and accessories add scale realism to the ST550



Race-inspired radial tires wrapped around 1.9" (41mm) white turbine-style wheels give the ST550 plenty of traction on the track

Due to ongoing R&D, photos may not match final kit. Vehicle shown on these pages equipped with items NOT included in #30127: Reedy battery.

MORE FEATURES

- Steel dog bones and drive axles
- Sealed front and rear gear differentials
- Adjustable hook and loop battery straps
- Injection-molded brake calipers and rotors
- Aluminum motor plate
- Adjustable shock mounting locations
- Bolt-on steering plates
- Molded one-piece tie rods and steering links
- Adjustable body post height locations
- Plastic tub main chassis
- POM-filled injection-molded pivot balls
- Oilite bushings



SPECIFICATIONS

Scale	1:10
Power	Electric
Length	458mm (18.03")
Width	190mm (7.48")
Weight	Varies
Wheelbase	259mm (10.2")
Transmission Ratio	2.6:1
Drive:	4WD

ITEMS NEEDED TO COMPLETE

- **#30127 and 30127C:** Four (4) AA batteries used in the transmitter
- **#30127:** LiPo Shorty battery with High Current T-Plug (#751 Reedy 7.4V 2S LiPo Battery with T-plug)
- **#30127:** Charger for battery used (#27201 Reedy balance Charger for LiPo, LiFe)

CATALOG INFORMATION

UPC	Part No.	Description	MSRP	MAP	Available
784695301276	30127	Apex2 Sport ST550 RTR	\$489.99	\$329.99	August 2023
784695983793	30127C	Apex2 Sport ST550 RTR LiPo Combo	\$589.99	\$399.99	August 2023

COMPARISON CHART

Model version		Electronics Included			
Part No.	Description	Motor	Radio, Servo, ESC, Receiver	Charger	Battery
30127	Apex2 Sport ST550 RTR	brushed	included	none	none
30127C	Apex2 Sport ST550 RTR LiPo Combo	brushed	included	included	LiPo

Download all zipped photos here: <https://tinyurl.com/asc30127zip> (10MB). Link is active for 30 days.



21062 Bake Pkwy
Lake Forest CA 92630
www.AssociatedElectrics.com

