



For Immediate Release: April 20, 2023

#30128 Apex2 Sport, Nissan Z RTR
#30128C Apex2 Sport, Nissan Z LiPo Combo



ELECTRIC ▪ ON ROAD ▪ 1:10 SCALE ▪ 4 WHEEL DRIVE ▪ RTR

Introducing Team Associated's latest addition to their Apex2 Sport lineup -- the Nissan Z car. Designed for true enthusiasts, this highly detailed and fun-to-drive Ready-to-Run RC car is built on the budget-friendly Apex2 Sport chassis. Every detail of the Nissan Z car has been carefully crafted to capture the essence of its full-sized counterpart. From the sleek lines of the body to the performance-oriented chassis, Team Associated's Area 51 applied their engineering expertise to create a true replica of the iconic sports car.

The Apex2 Sport chassis provides exceptional stability and control. The front and rear independent suspension with coil-over shocks ensures smooth handling and precise cornering, while the active rear toe give the Apex2 Sport the ultimate in handling on uneven tarmac. Team Associated's Nissan Z car is a must-have for RC car enthusiasts who crave the excitement and performance of Nissan's iconic sports car.

The **#30128C LiPo Combo** has the added benefit of a Reedy Compact Balance Charger and Reedy LiPo battery pack included!

The Power of the 2023 Nissan Z

I had one. I have one. I will have one. For every enthusiast there is a time when the call is too great to resist. Since 1969, Nissan has been rewriting the rules of sports cars. The distinct styling, the relentless thrust of six cylinders pointing that long nose toward the horizon, a responsive suspension, a cockpit that wraps around you, and jaw-dropping looks – the Nissan Z has always been an enthusiast's dream come true.

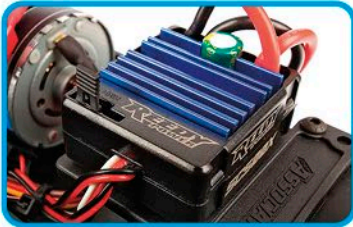
People are naturally inclined to want to win, so performance will always be important. Nissan will always continue that as a goal. It's all about creating that Z heritage total balance -- excitement, performance, pure and true. That's the power of the Nissan Z.

WATCH THE VIDEO!
https://youtu.be/dqKrgi_oP1g

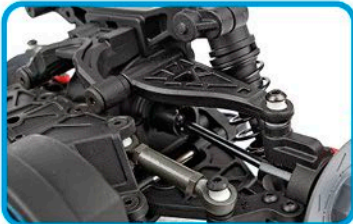
HIGHLIGHTS



For better handling, A-arm front and rear independent suspension keeps the Apex2 chassis under control during the closest of racing conditions



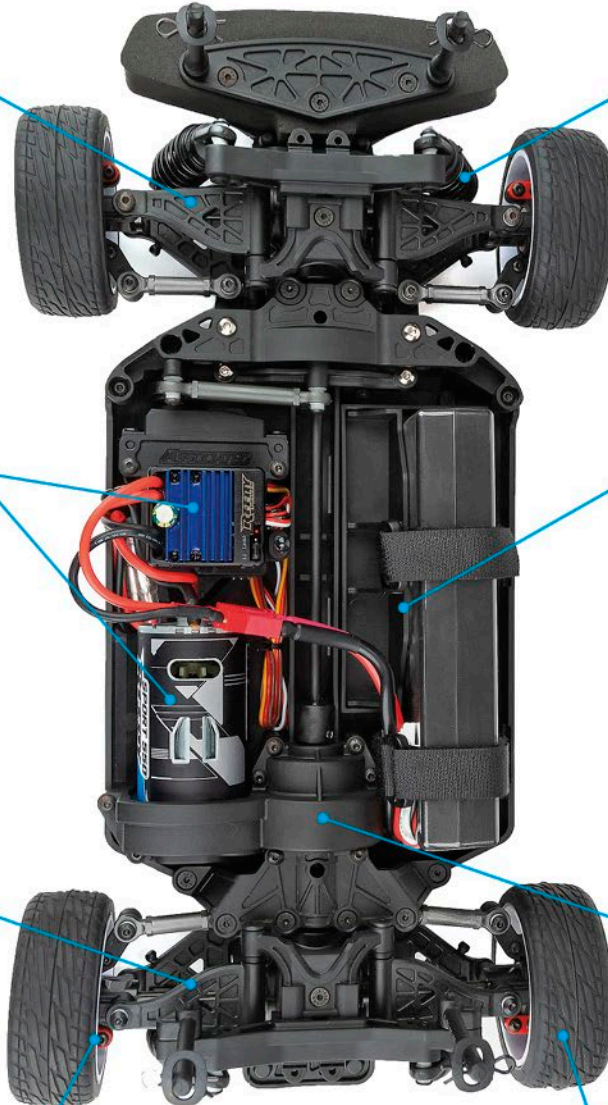
The Apex2 Sport comes equipped with Reedy SC500X programmable brushed ESC (program card sold separately) with T-plug connector and Reedy's 550 15-turn 3-slot motor



Active rear suspension allows the amount of toe change to be adjusted through the suspension cycle, increasing or decreasing rear grip



Injection-molded brake calipers and rotors give the Apex2 Sport chassis scale looks



Coil-over shock absorbers smooth out the bumps when ripping around the track



Redesigned chassis layout allows for either a shorty or standard battery configuration to be used for maximum performance or runtime



A sealed center driveline keeps dirt and debris out for smooth and reliable power delivery



Race-inspired radial tires wrapped around 1.9" (41mm) wheels give the Nissan Z plenty of traction on the track

APEX2 SPORT

Due to ongoing R&D, photos may not match final kit. #31028 shown on these pages equipped with items NOT included in kit: Reedy battery.

MORE FEATURES

- Steel dog bones and drive axles
- Sealed front and rear gear differentials
- Adjustable hook and loop battery straps
- Injection-molded brake calipers and rotors
- Aluminum motor plate
- Adjustable shock mounting locations
- Bolt-on steering plates
- Molded one-piece tie rods and steering links
- Adjustable body post height locations
- Plastic tub main chassis
- POM-filled injection molded pivot balls
- Oilite bushings

SPECIFICATIONS

Scale	1:10
Power	Electric
Length	444mm (17.5")
Width	190mm (7.48")
Weight	varies
Wheelbase	259mm (10.2")
Transmission Ratio	2.6:1

ITEMS NEEDED TO COMPLETE

- 4 AA batteries for transmitter
- Suitable NiMH or 2S/3S LiPo battery
- Battery charger for above battery

CATALOG INFORMATION

UPC	Part No.	Description	MSRP	MAP	Available
784695301283	#30128	Apex2 Sport, Nissan Z RTR	\$489.99	\$329.99	May 2023
784695983779	#30128C	Apex2 Sport, Nissan Z RTR LiPo Combo	\$599.99	\$399.99	May 2023

COMPARISON CHART

Model version		Electronics Included			
Part No.	Description	Motor	Radio, Servo, ESC, Receiver	Charger	Battery
#30128	Apex2 Sport, Nissan Z RTR	brushed	included	none	none
#30128C	Apex2 Sport, Nissan Z RTR LiPo Combo	brushed	included	included	LiPo

Nissan Motor Co., Ltd. trademarks, designs, copyrights and/or other intellectual property rights are used under license.

Download all zipped photos here: <https://tinyurl.com/asc30128zip> (7.94MB). Link is active for 30 days.

See the next page for hop-ups and support parts already available as of this date!



21062 Bake Pkwy
Lake Forest CA 92630
www.AssociatedElectrics.com



Already released: HOP-UP AND SUPPORT PARTS

UPC	Part No.	Description	MSRP	MAP
784695318472	31847	Apex2 FT Shock Tower, carbon fiber (requires #31857)	17.99	15.30
784695318489	31848	Apex2 FT Top Plates, carbon fiber	28.99	24.64
784695318496	31849	Apex2 FT Steering Arms, carbon fiber	17.99	15.30
784695914797	91479	FT Ball Bearings, 7x14x3.5mm	9.99	9.99
784695215573	21557	FT 10mm Front Spring Set	17.99	15.29
784695016507	1650	FT 7-Piece 1/4" Hex Driver Set	62.99	53.54
784695420540	42054	FT Enduro Pivot Balls, steel	17.99	15.29
784695921641	92164	RC10B74 Anti-roll Bar Hardware (requires #92289)	16.99	14.44
784695922891	92289	RC10B74.1 Anti-roll Bar Set, 1.0-1.3mm	15.99	13.59
784695013681	1368	FT Aluminum Clamping Servo Horn 25T, 20mm	17.99	15.29
784695013391	1339	FT Aluminum Pinion Gear, 21T 48P, 1/8 shaft	7.99	7.99
784695013407	1340	FT Aluminum Pinion Gear, 22T 48P, 1/8 shaft	7.99	7.99

