



PRODUCT BULLETIN:
Spektrum™ A6300 HV
Ultra Torque
Brushless Aircraft
Servo MG
(SPMSA6300)



July 10, 2018

[Download English PDF Version Here \[Document attached below main article\]](#)

Product: Spektrum™ A6300 HV Ultra Torque Brushless Aircraft Servo MG (SPMSA6300) purchased after May 1, 2018 with PID number **SH804N**. **This bulletin only applies to servos with the above PID number. Servos with a different PID number are not affected.**

Issue: The servo may fail when used in conjunction with some receivers.

What To Do: Please fill out the [Shipping Label Request \[Document attached below main article\]](#) Form Found Here:

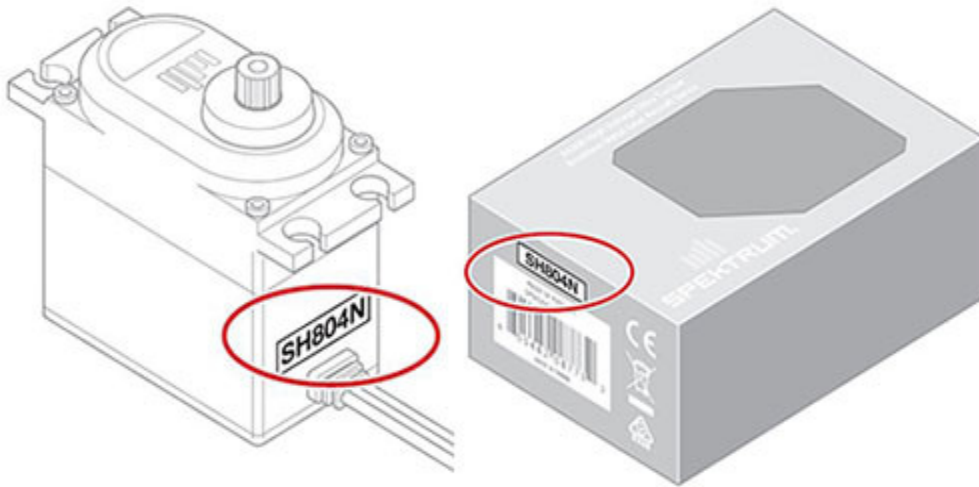
https://www.spektrumrc.com/ProdInfo/Files/59221_SPMSA6300_request_form.pdf

. After completing and submitting the Shipping Label Request Form, Horizon Hobby will e-mail a shipping label for you to use to return the servo.

A refund will be issued for the purchase price of the servo(s).

Finding the PID number:

The PID number is a manufactured identification number located on the servo case as well as the product box, as shown.



Corrective Action:

1. Wrap and pack the servo(s) into a strong cardboard box.
2. Attach the provided shipping label and return address to the outside of the box.
3. Ship the servo(s) to Horizon Hobby

If you purchased your product outside of the US and Canada, please see the retailer or distributor you purchased your product from for assistance.

Horizon Hobby, LLC disclaims all liability and warranties for any consumer who does not act upon this bulletin. We apologize for this inconvenience. If you have any questions, please call Horizon Hobby Product Support at 877-504-0233.

Contact Information

Country of Purchase	Horizon Hobby	Contact Information	Address
United States of America	Product Support	productsupport@horizonhobby.com 877-504-0233	4105 Fieldstone Drive Champaign, Illinois, 61822 USA

***For the most up-to-date customer service contact information, please visit:**
www.horizonhobby.com/content/service-center-render-service-center

©2018 Horizon Hobby, LLC. PowerSafe, DSMX, Horizon Hobby and the Horizon Hobby logo are trademarks or registered trademarks of Horizon Hobby, LLC.

The Spektrum trademark is used with permission of Bachmann Industries, Inc. 58653 (55436)

Product Bulletin

July 10, 2018

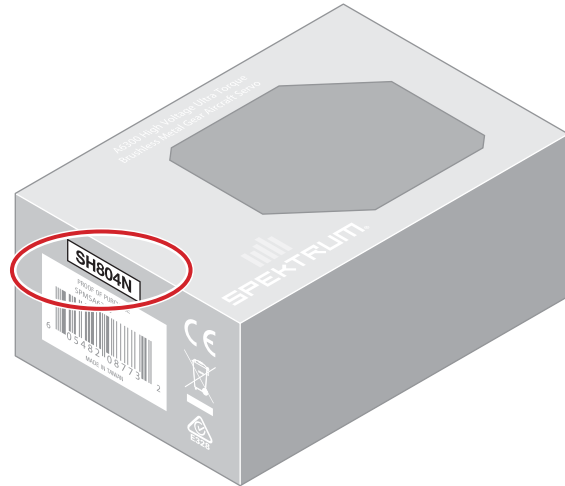
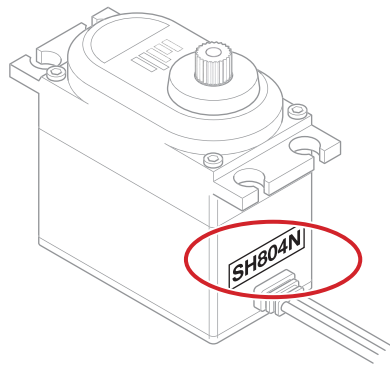
Products: Spektrum™ A6300 HV Ultra Torque Brushless Aircraft Servo MG (SPMSA6300) purchased after May 1, 2018 with PID number **SH804N**.

Issue: The servo may fail when used in conjunction with some receivers.

What to Do: Please fill out the Shipping Label Request Form. After completing and submitting the Shipping Label Request Form, Horizon Hobby will e-mail a shipping label for you to use to return the servo.
A refund will be issued for the purchase price of the servo(s).

Finding the PID Number

The PID number is a manufactured identification number located on the servo case as well as the product box, as shown.



Corrective Action

1. Wrap and pack the servo(s) into a strong cardboard box.
2. Attach the provided shipping label and return address to the outside of the box.
3. Ship the servo(s) to Horizon Hobby.

Contact Information*

Country of Purchase	Horizon Hobby	Contact Information	Address
United States of America	Product Support	productsupport@horizonhobby.com 877-504-0233	4105 Fieldstone Drive Champaign, Illinois, 61822 USA

*For the most up-to-date customer service contact information, please visit: www.horizonhobby.com/content/service-center-render-service-center

Horizon disclaims all liability and warranties for any consumer who fails to act upon this bulletin. We apologize for this inconvenience.

If you have any questions, please call Horizon Hobby Product Support at 877-504-0233.

If you purchased your product outside of the US and Canada, please see the retailer or distributor you purchased your product from for assistance.



Spektrum A6300 HV Ultra Torque Brushless Aircraft Servo MG (SPMSA6300) Shipping Label Request Form

Consumer Shipping Address

Name:

Street:

City:

State/Province:

Postal/Zip Code:

Phone Number:

E-mail:

Quantity:

Notes:

US and Canada Instructions:

Complete this form and send it via e-mail to HHPs@horizonhobby.com. Upon receipt of the completed form, Horizon Hobby will e-mail you a prepaid shipping label. Please use the shipping label provided to return your servo(s), along with a copy of this form, to Horizon Hobby.

Outside the US and Canada Instructions:

For anyone outside of the US and Canada, please contact the local retailer or distributor where you purchased the product.