

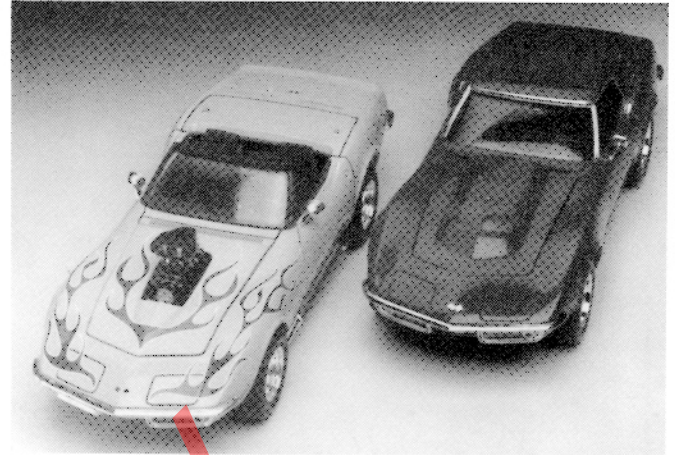
'68 Corvette L-88 Roadster

2 IN 1

The 1968 Corvette introduced the fifth generation of the famous line, and remains the longest lived of all Corvettes to date. Its dramatic design, inspired largely by the Mako Shark show car, featured spectacular styling for the late 1960's, and its wasp-waisted "Coke bottle" shape was widely admired. It did retain the original Stingray chassis however, with many important performance enhancements.

Seven-inch wide Rally wheels were now standard, and a big selection of final drive ratios were offered, for drag-strip acceleration or road race style top speed. A 435 horsepower big-block engine was added to the top of the line. This 427 CID V8 powerplant was fed by a single four-barrel carburetor that took in fresh air through a cowl-induction scooped hood. The interior featured bucket seats standard of course, with a wood-rimmed steering wheel and fully instrumented dashboard and console, including gauges for engine RPM, fuel, water temp, clock, oil pressure and battery.

Your Revell-Monogram kit replicates the famous roadster in its fifth form. The model has an opening hood, full chassis and engine detail, plus an optional hard top or soft top, which may be cemented in place or left removable. All of the standard Corvette features are included, along with aftermarket accessories for a second street machine version. A pair of chromed teardrop mirrors, a set of plated billet wheels, and dual finned side pipes take care of the exterior, while a GMC 6-71 supercharger with twin four barrel carburetors and "bug catcher" funny-car style air intake complete a blown, big-block engine variation. "2 'n' 1" means two ways to build it!



* REPEAT SEVERAL TIMES
* A REPETER PLUSIEURS FOIS



* OPTIONAL PARTS
* PIECES EN OPTION



* DECAL
* DECAL COMANIE



* ALTERNATIVE ASSEMBLY
* ENSEMBLAGE ALTERNATIVE



* CEMENT TOGETHER
* A COLLER



* REMOVE AND THROW AWAY
* A RETIRER ET JETER



* DO NOT CEMENT
* NE PAS COLLER

READ THIS BEFORE YOU BEGIN

- Study the assembly drawings.
- Each plastic part is identified by a number.
- In the assembly drawings, some parts will be marked by a star (★) to indicate chrome plated plastic.
- For better paint and decal adhesion, wash the plastic parts in a mild detergent solution. Rinse and let air dry.
- Check the fit of each piece before cementing in place.
- Use only cement for polystyrene plastic.
- Scrape plating and paint from areas to be cemented.
- Allow paint to dry thoroughly before handling parts.
- Any unused parts may be discarded

DECAL APPLICATION INSTRUCTIONS (If Applicable)

1. Cut desired decal from sheet.
2. Dip decal in water for a few seconds.
3. Place wet decal on paper towel.
4. Wait until decal is movable on paper backing.
5. Place decal in position on model, face up and slide backing away.
6. Press out air bubbles with a soft damp cloth.
7. Milkyness that may appear is for better decal adhesion and will dry clear. Wipe away any excess adhesive.
8. Do not touch decal until fully dry.
9. Allow the decals 48 hours to dry before applying clear coat.

NOTE: Decals are not compatible with setting solutions or solvents.

LIRE CE QUI SUIT AVANT DE COMMENCER

- Etudier les schémas de montage.
- Chaque pièce en plastique est identifiée par un numéro.
- Sur les schémas de montage, certaines pièces sont marquées d'une étoile (★) pour indiquer qu'elles sont en plastique chromé.
- Pour une meilleure prise de la peinture et des autocollants, laver les pièces en plastique avec une solution détergente peu concentrée. Les rincer et les laisser sécher à l'air.
- Vérifier que chaque pièce s'ajuste bien avant de la coller en place.
- N'utiliser que de la colle pour polystyrène.
- Gratter les parties à coller pour enlever le chrome et la peinture.
- Laisser la peinture bien sécher avant de manipuler les pièces.
- Toute pièce inutilisée peut être jetée.

DIRECTIVES D'APPLICATION DES AUTOCOLLANTS

1. Découper l'autocollant désiré de la feuille.
2. Tremper l'autocollant dans de l'eau pendant quelques secondes.
3. Placer l'autocollant mouillé sur une serviette en papier.
4. Attendez que l'autocollant puisse être déplacé sur son support en papier.
5. Mettre l'autocollant en position sur le modèle face sur le dessus et faire glisser le support pour l'enlever.
6. Appuyer avec un chiffon doux humide pour éliminer les bulles d'air.
7. La substance laiteuse qui peut apparaître est destinée à améliorer l'adhésion de l'autocollant et devient incolore au séchage. Essuyer pour enlever tout excédent d'adhésif.
8. Ne pas toucher l'autocollant tant qu'il n'est pas bien sec.
9. Laisser l'autocollant sécher pendant 48 heures avant d'appliquer une couche transparente.

REMARQUE: Les autocollants sont incompatibles avec les solutions de fixation ou les solvants.

This paint guide is provided to complete this kit as shown on the box.

Ce guide de peinture est fourni pour reproduire le modèle réduit qui apparaît sur la boîte.

Gloss Black	Noir Brillant
Gloss Red	Rouge Brillant
Gloss Yellow	Jaune Brillant
Light Brown	Brun Foncé
Gold	Doré
Silver	Argenté
Steel	Acier
Turn Signal Amber	Ambré
Engine Orange	Rouge Orangé
Flat Black	Noir Mat
Flat White	Blanc Mat
Satin Black	Noir Satine

We recommend ProModeler™ or Revell-Monogram paints.

If you have any questions or comments, call our hotline at: **(800) 833-3570** or, please write to:

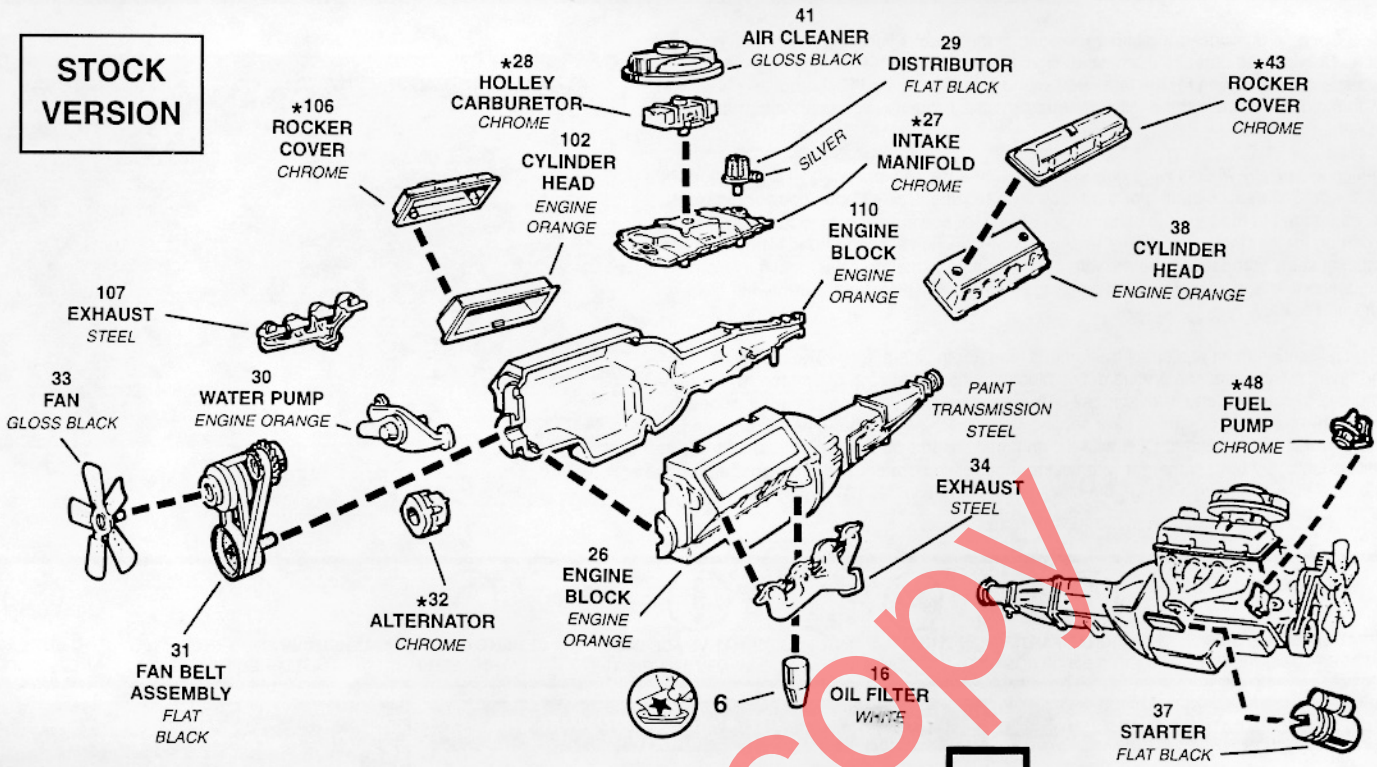
Revell-Monogram Consumer Service Department, 8601 Waukegan Road, Morton Grove, Illinois 60053
Be sure to include the kit number, part number, description, your return address and phone number.

Visit our website: www.revell-monogram.com

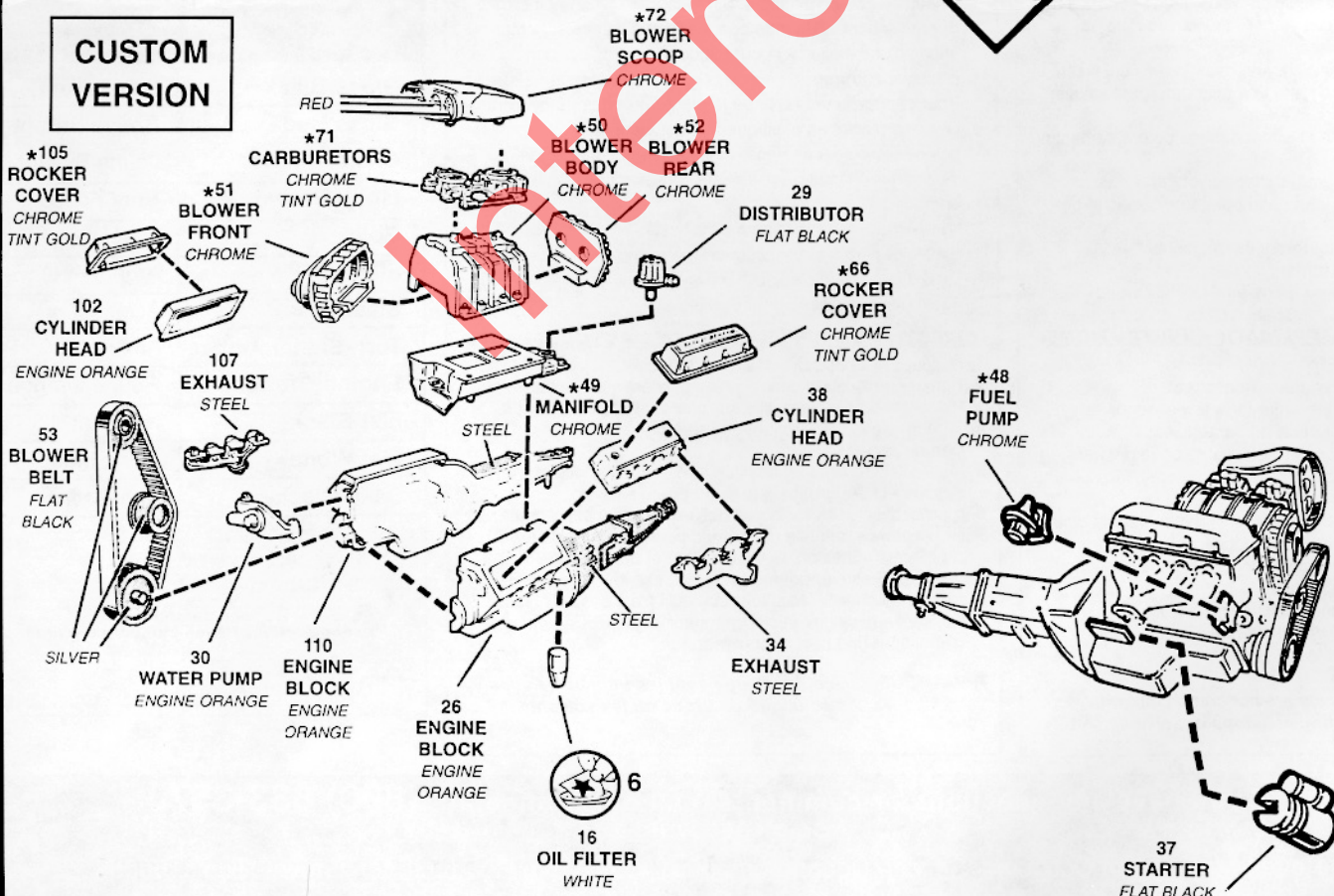
1

ENGINE ASSEMBLY

STOCK VERSION



CUSTOM VERSION



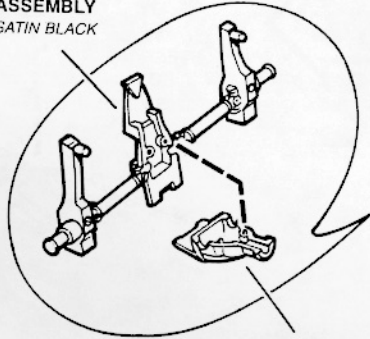
2

SUSPENSION ASSEMBLY

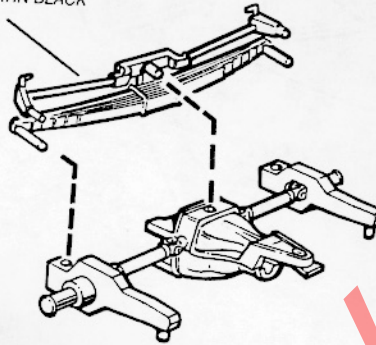
A

62 TRAILING ARM ASSEMBLY SATIN BLACK

63 REAR SPRING ASSEMBLY SATIN BLACK



60 DIFFERENTIAL TOP SATIN BLACK



B

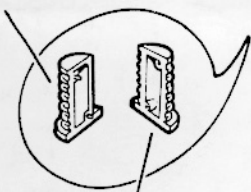
*113 COIL SPRING HALF CHROME

56 LOWER SUSPENSION SATIN BLACK

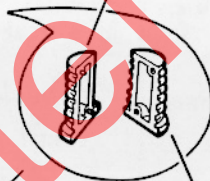
*82 COIL SPRING HALF CHROME

61 REAR SHOCK GLOSS BLACK

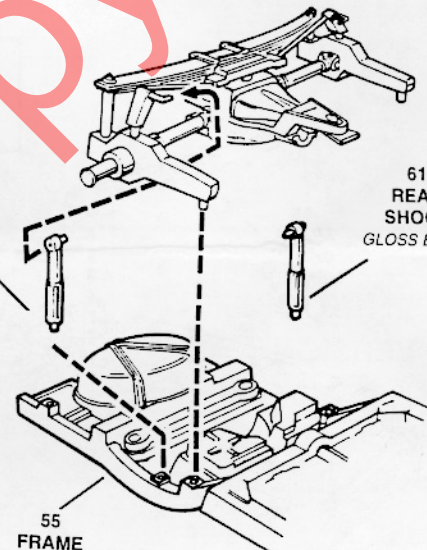
61 REAR SHOCK GLOSS BLACK



*58 COIL SPRING HALF CHROME



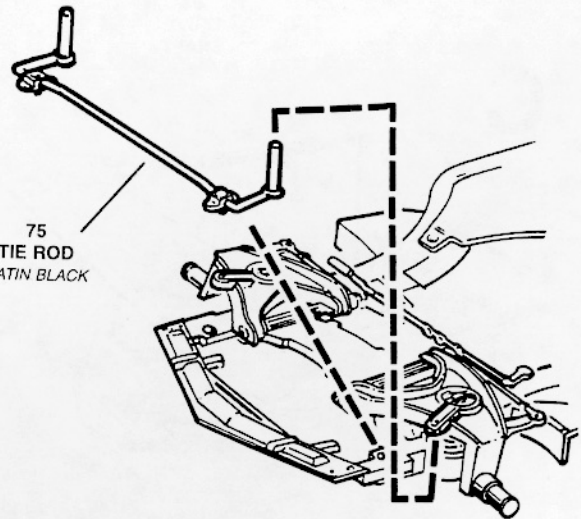
*81 COIL SPRING HALF CHROME



55 FRAME FLAT BLACK

C

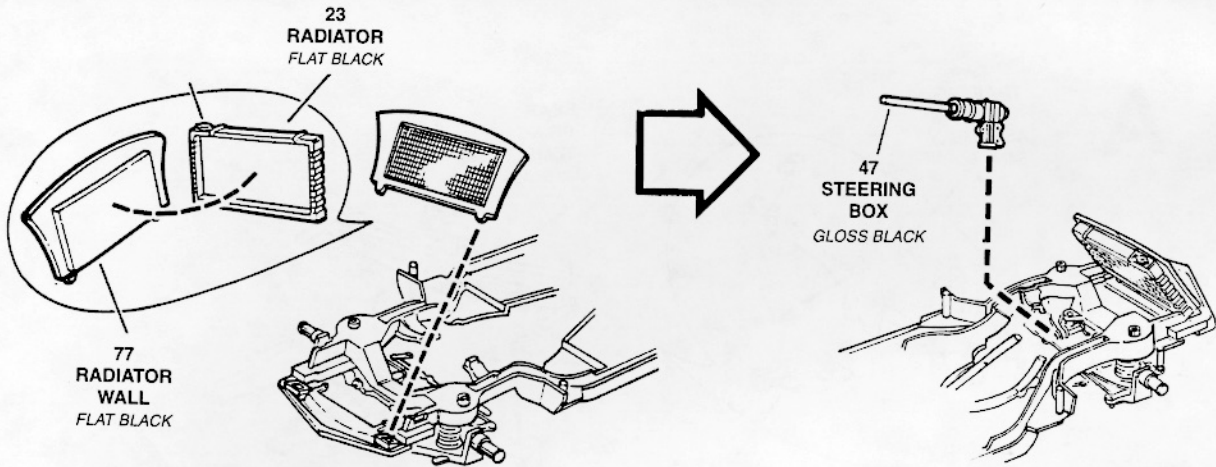
75 TIE ROD SATIN BLACK



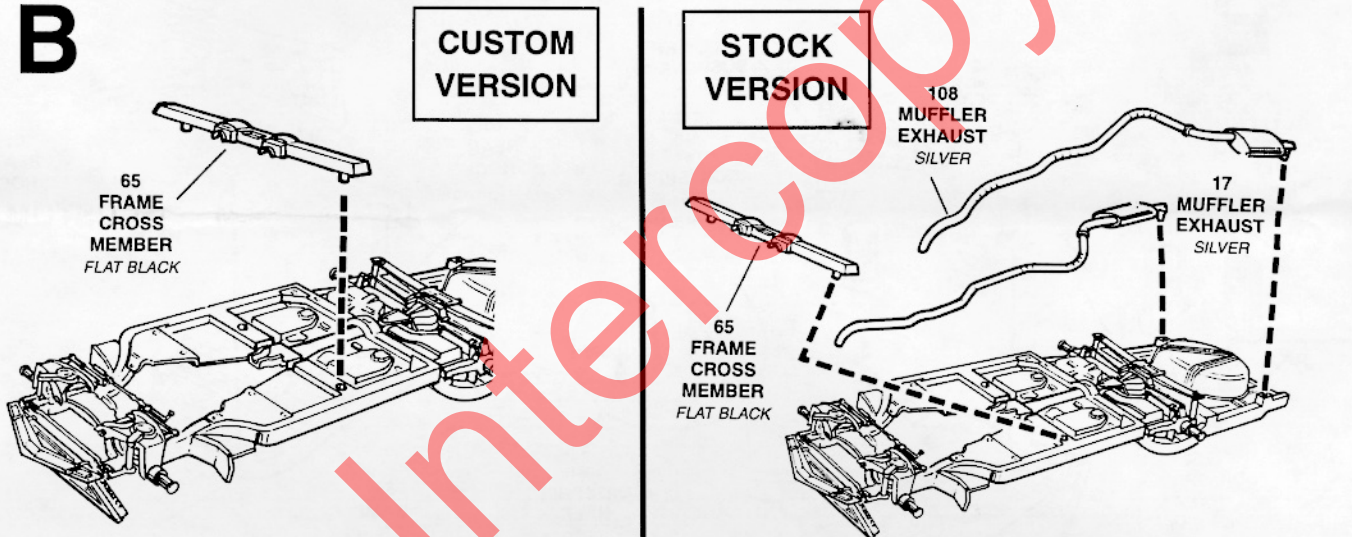
3

CHASSIS ASSEMBLY

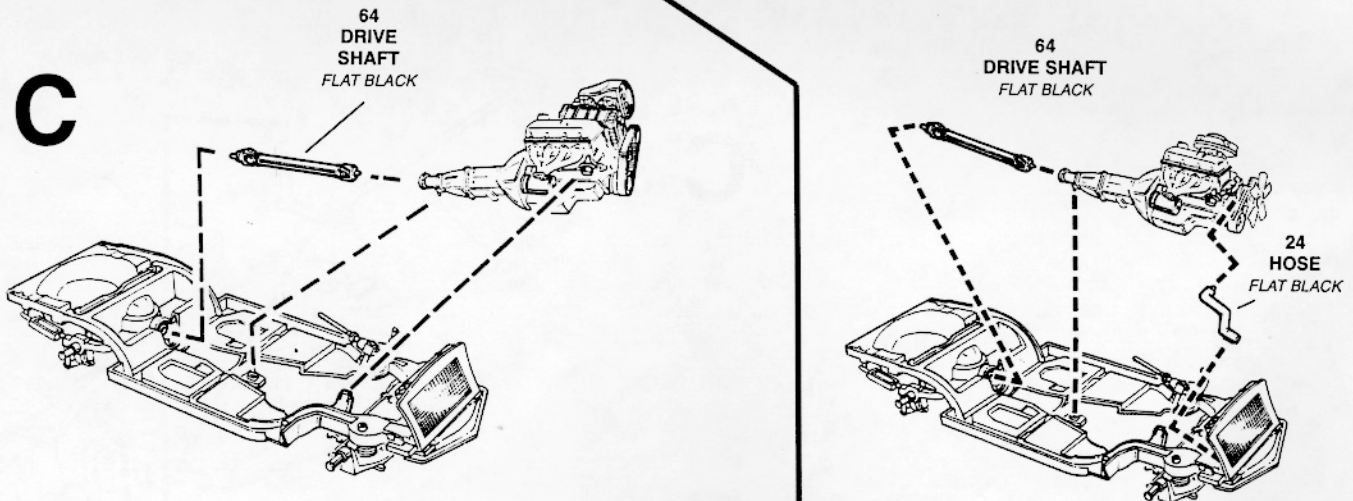
A



B



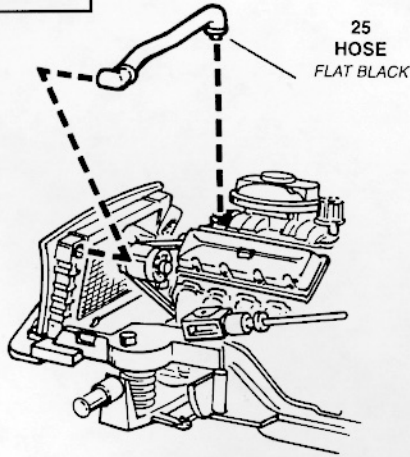
C



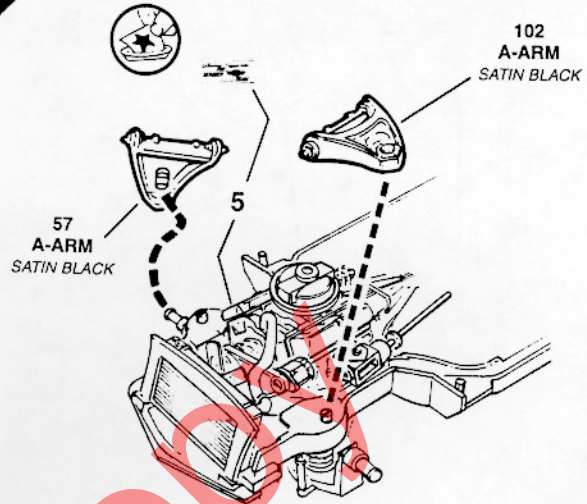
4

SUSPENSION / WHEEL ASSEMBLY

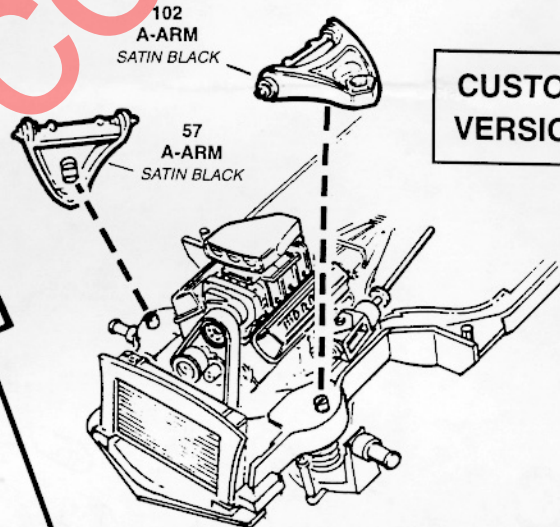
STOCK
VERSION



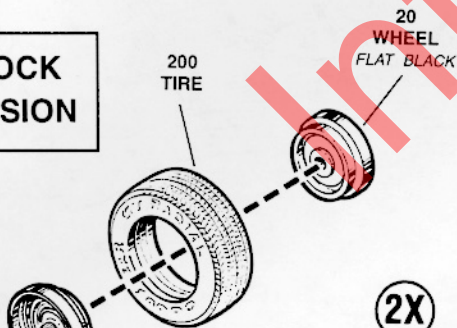
STOCK
VERSION



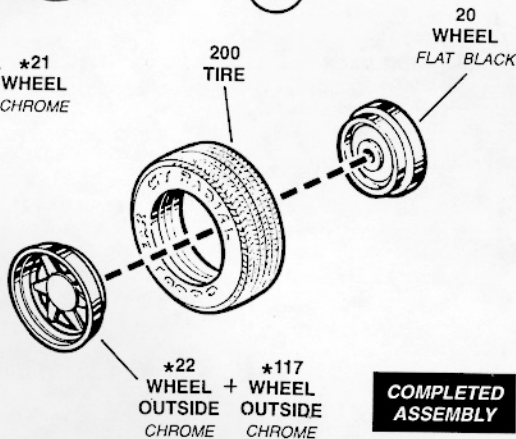
CUSTOM
VERSION



STOCK
VERSION



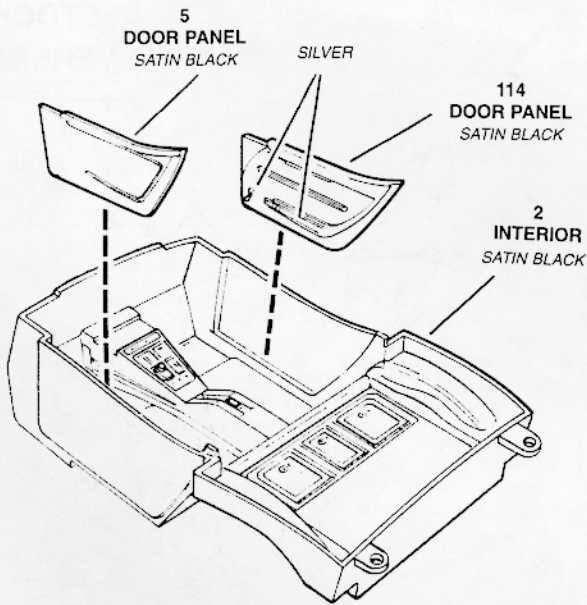
CUSTOM
VERSION



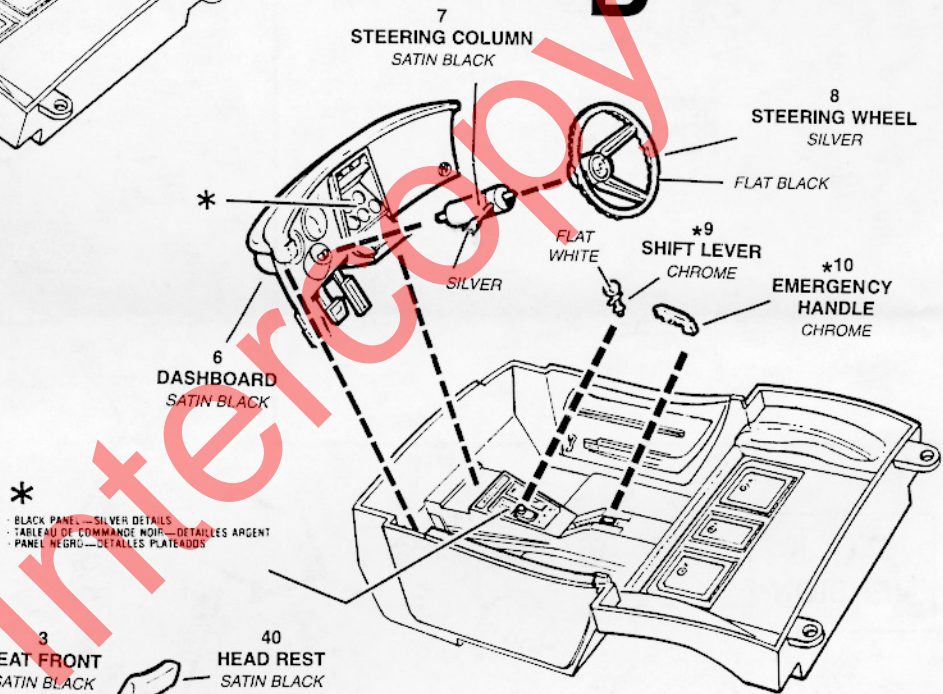
5

INTERIOR ASSEMBLY

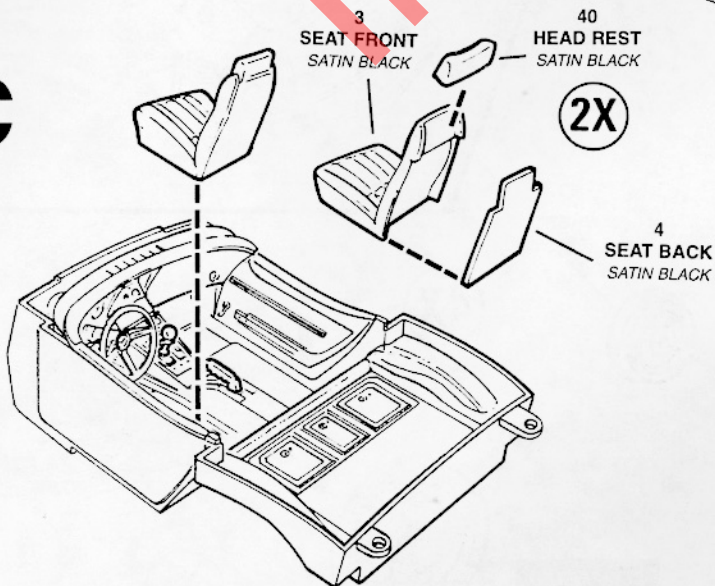
A



B



C



6

BODY ASSEMBLY

STOCK
VERSION

NOTE
CUT OUT NOTCHED AREAS
AS SHOWN ON BOTH SIDES.

1
BODY
GLOSS RED

*100
TAILLIGHT
BEZEL
CHROME

*70
TAILLIGHT
BEZEL
CHROME

95
TAILLIGHT
CLEAR RED

2X

*73
REAR
LICENSE
PLATE
CHROME

CUSTOM
VERSION

1
BODY
GLOSS YELLOW

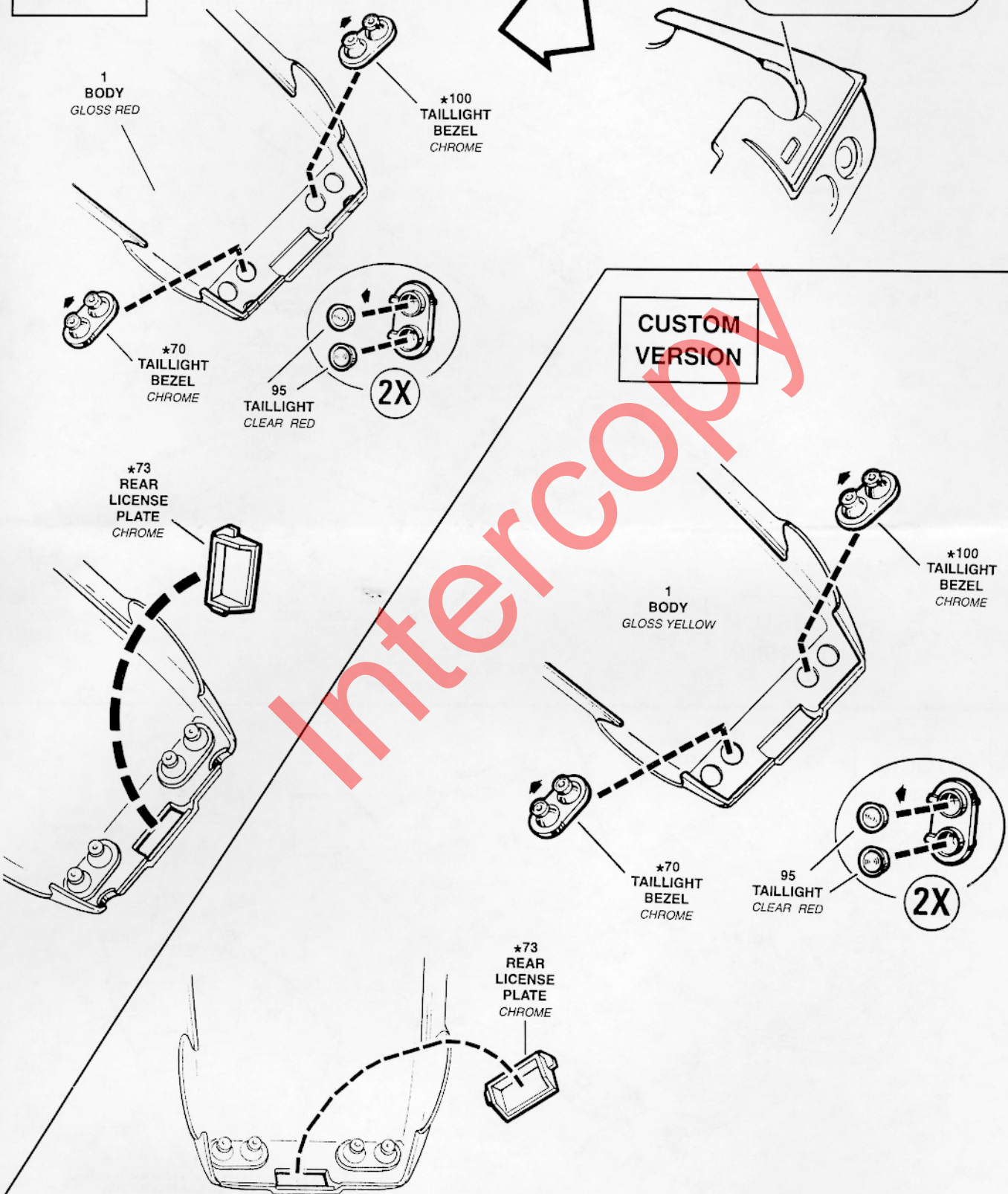
*100
TAILLIGHT
BEZEL
CHROME

*70
TAILLIGHT
BEZEL
CHROME

95
TAILLIGHT
CLEAR RED

2X

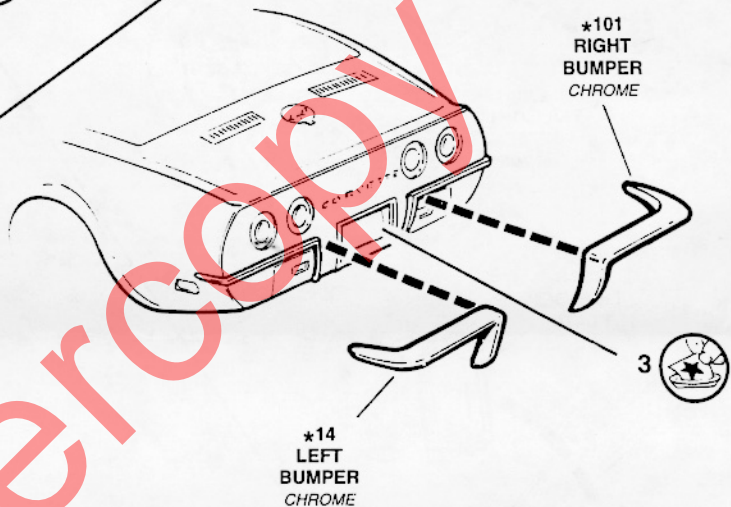
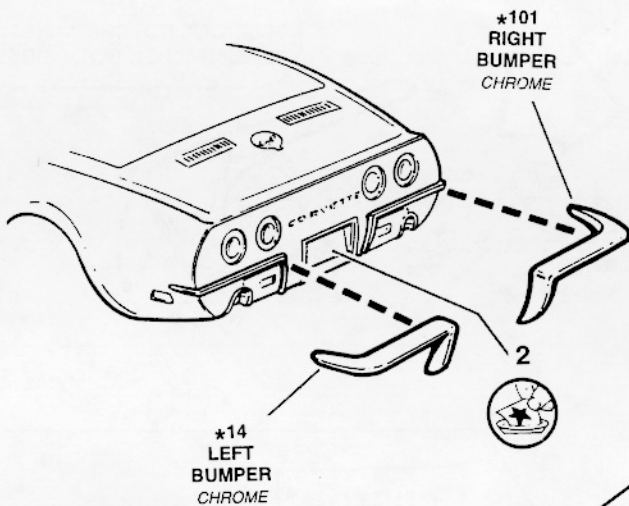
*73
REAR
LICENSE
PLATE
CHROME



7

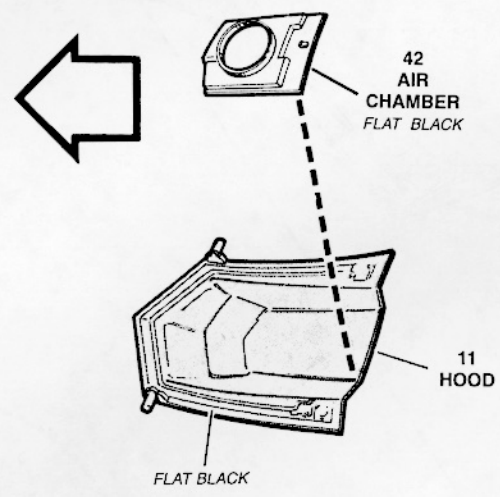
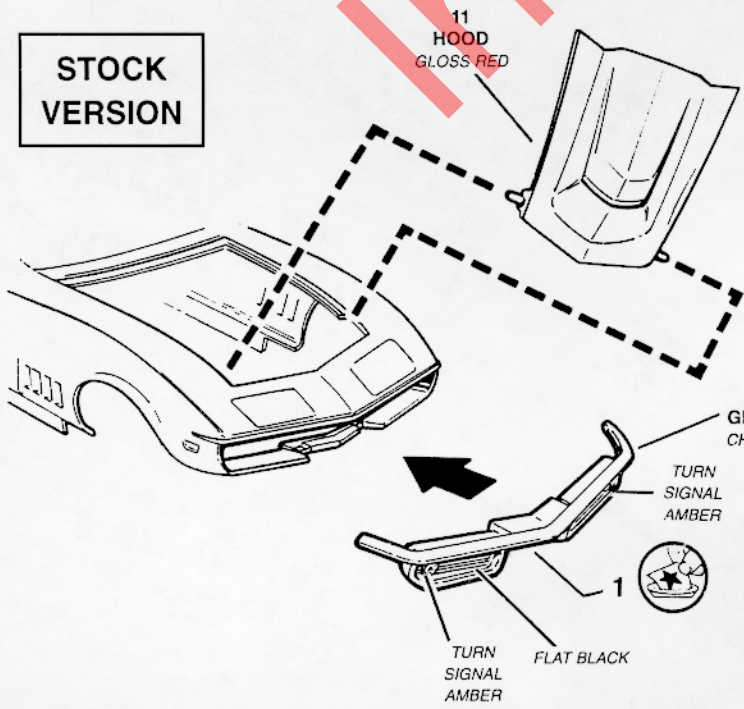
BUMPER / HOOD ASSEMBLY

STOCK
VERSION



CUSTOM
VERSION

STOCK
VERSION



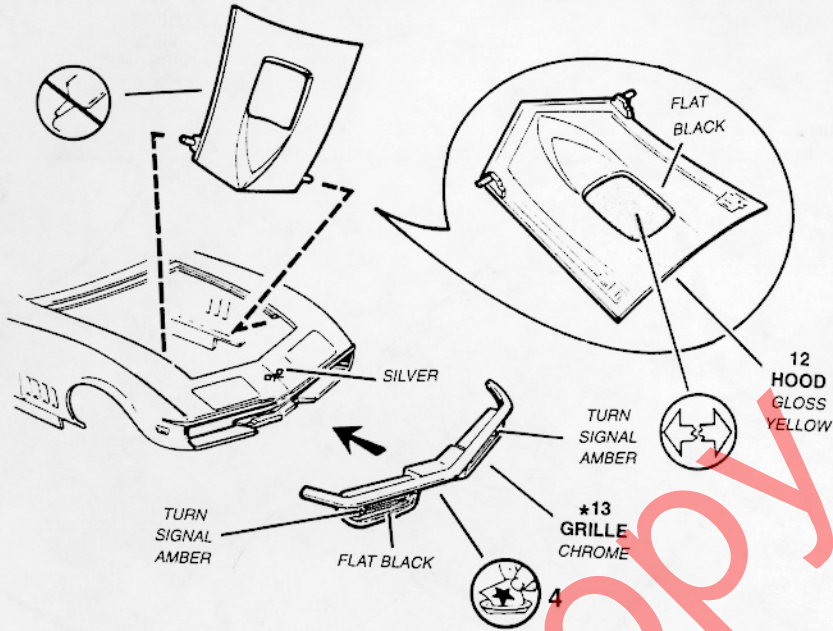
- APPLY TAPE TO HOLD HOOD.
- APPLIQUER RUBAN ADHESIF POUR MAINTENIR CAPOT.
- APLIQUESE CINTA ADHESIVA PARA SOSTENER EL CAPO.

8

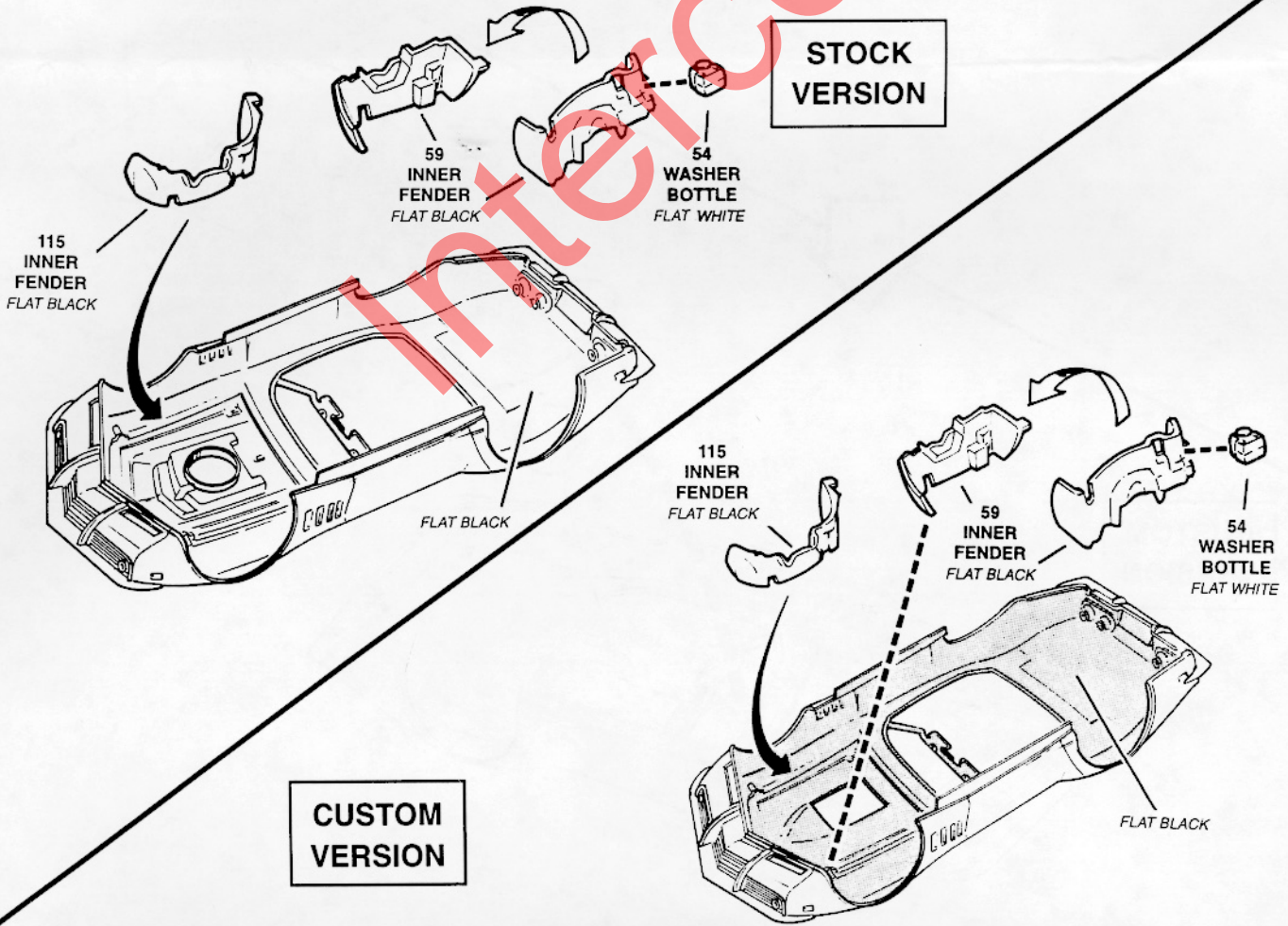
HOOD / FENDERWELL ASSEMBLY

CUSTOM
VERSION

- APPLY TAPE TO HOLD HOOD.
- APPLIQUER RUBAN ADHESIF POUR MAINTENIR CAPOT.
- APLIQUESE CINTA ADHESIVA PARA SOSTENER EL CAPO.



STOCK
VERSION

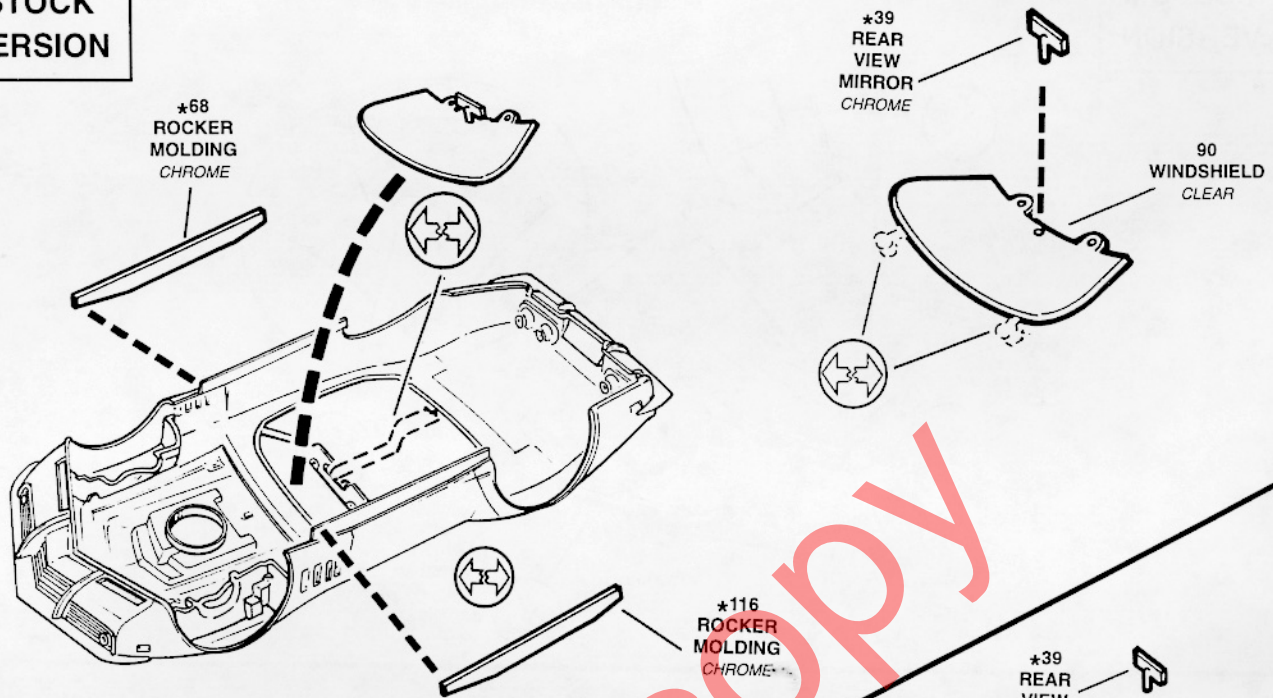


CUSTOM
VERSION

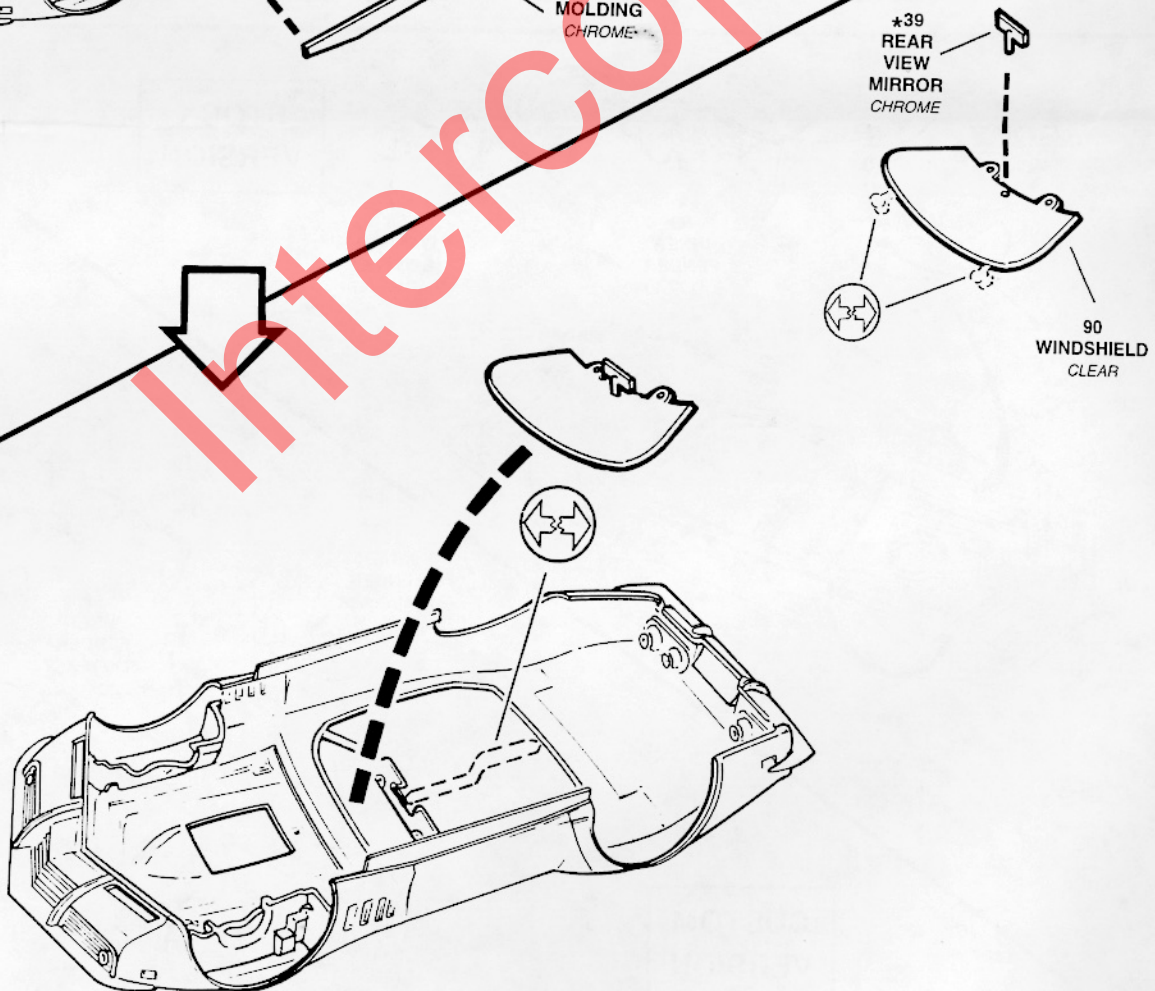
9

WINDOWS AND FINAL DETAILS

STOCK
VERSION



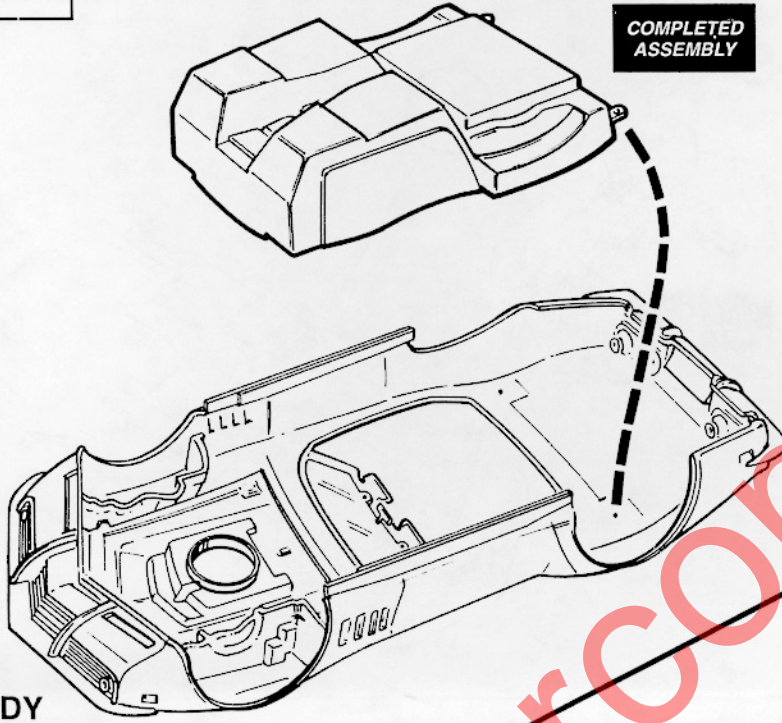
CUSTOM
VERSION



10

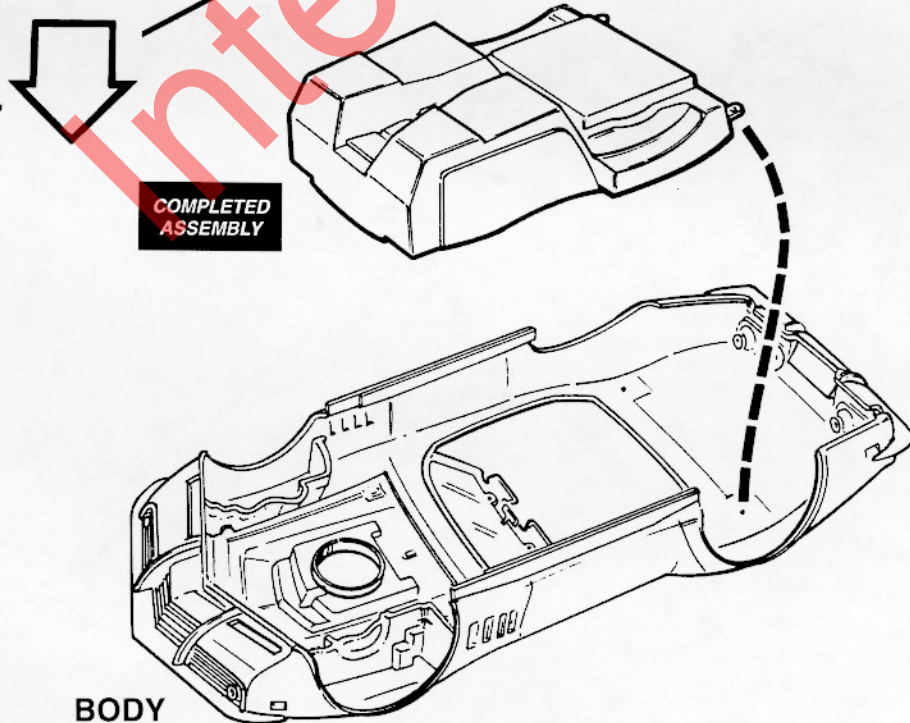
INTERIOR TO BODY

STOCK
VERSION



BODY

CUSTOM
VERSION



BODY

FIREWALL ASSEMBLY

76
WIPER
CANISTER
SATIN BLACK

44
FIREWALL
FLAT BLACK

STOCK
VERSION

GOLD

45
MASTER
CYLINDER
SILVER

46
BRAKE
BOOSTER
SATIN
BLACK

COMPLETED
ASSEMBLY

44
FIREWALL
FLAT BLACK

SILVER

SILVER

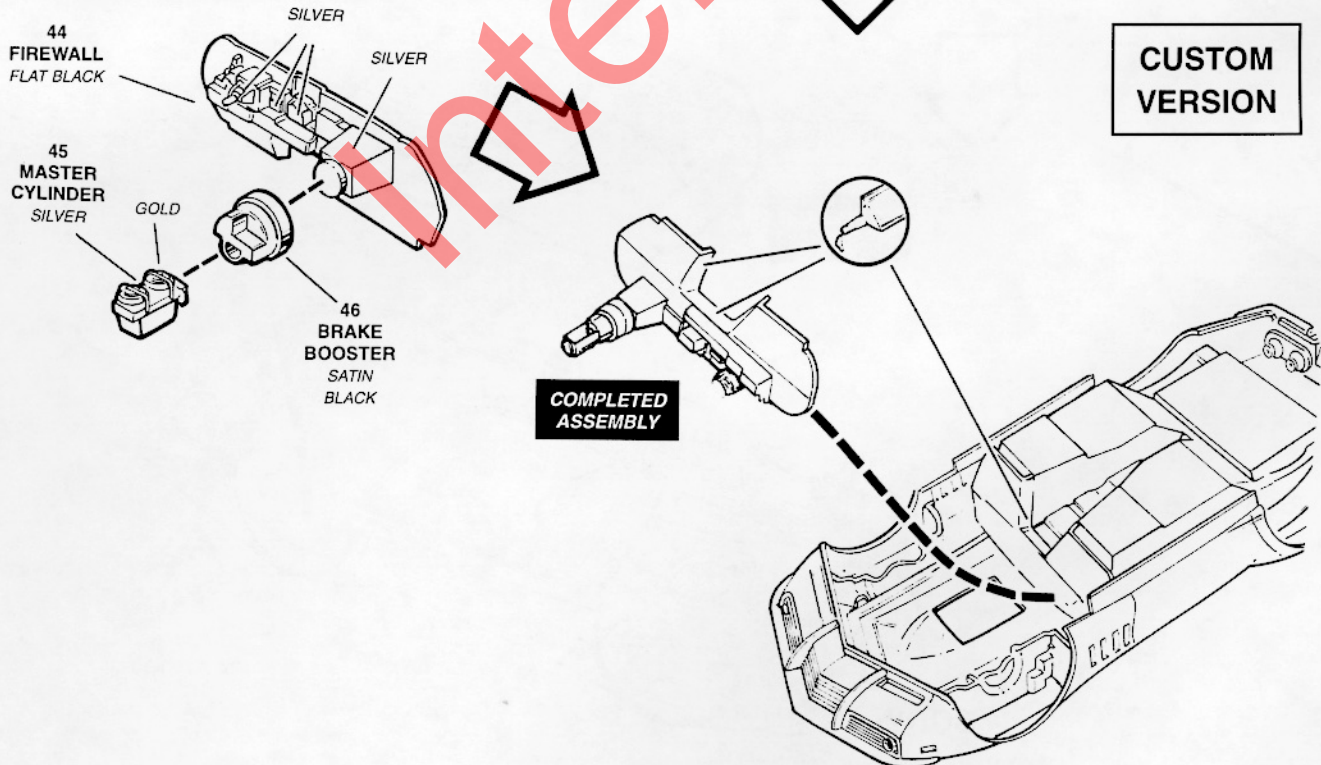
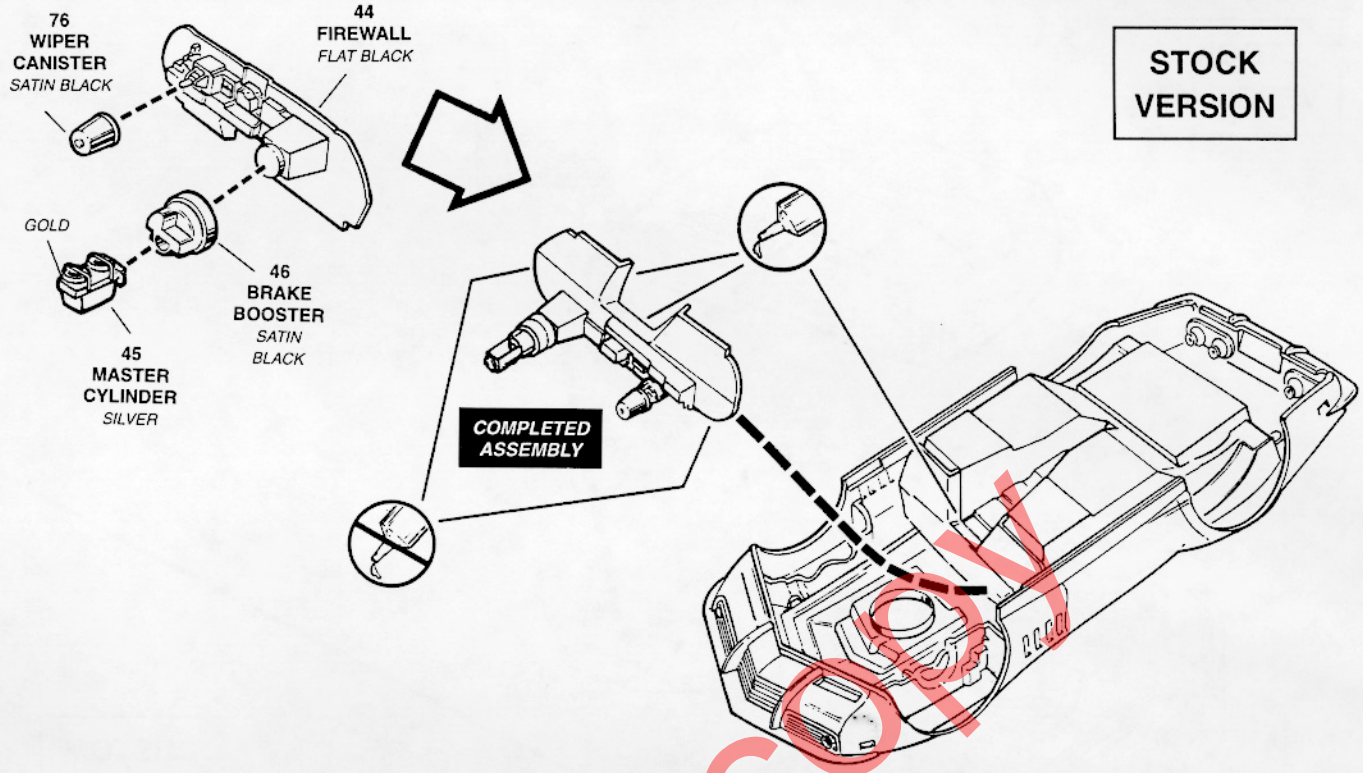
CUSTOM
VERSION

45
MASTER
CYLINDER
SILVER

GOLD

46
BRAKE
BOOSTER
SATIN
BLACK

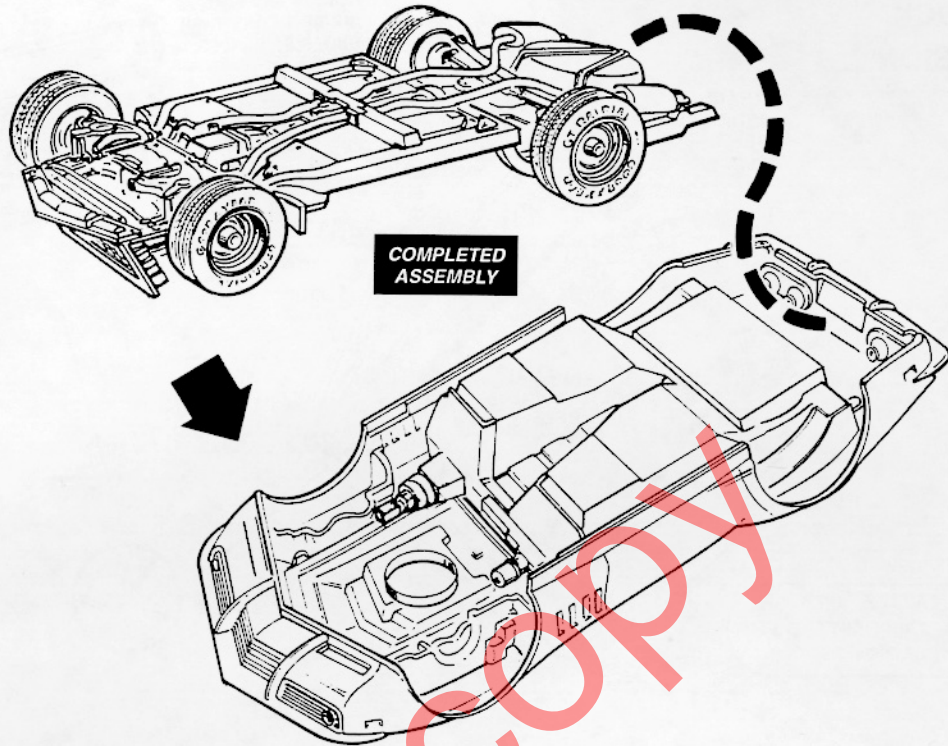
COMPLETED
ASSEMBLY



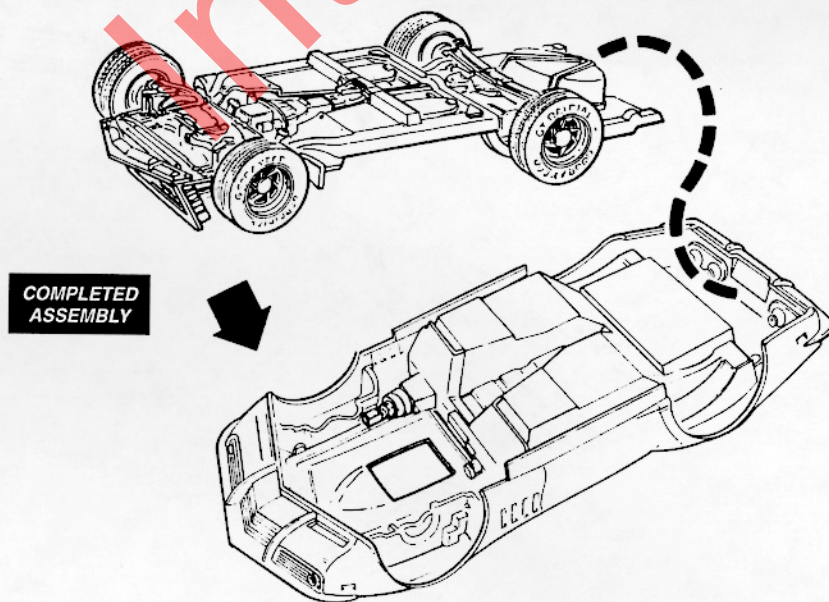
12

CHASSIS TO BODY

STOCK
VERSION



CUSTOM
VERSION



STOCK
VERSION

*74
EXHAUST
TIP
BEZEL
CHROME

- REMOVE AND SAVE
- QUITAR Y CONSERVAR
- QUITER ET GARDER

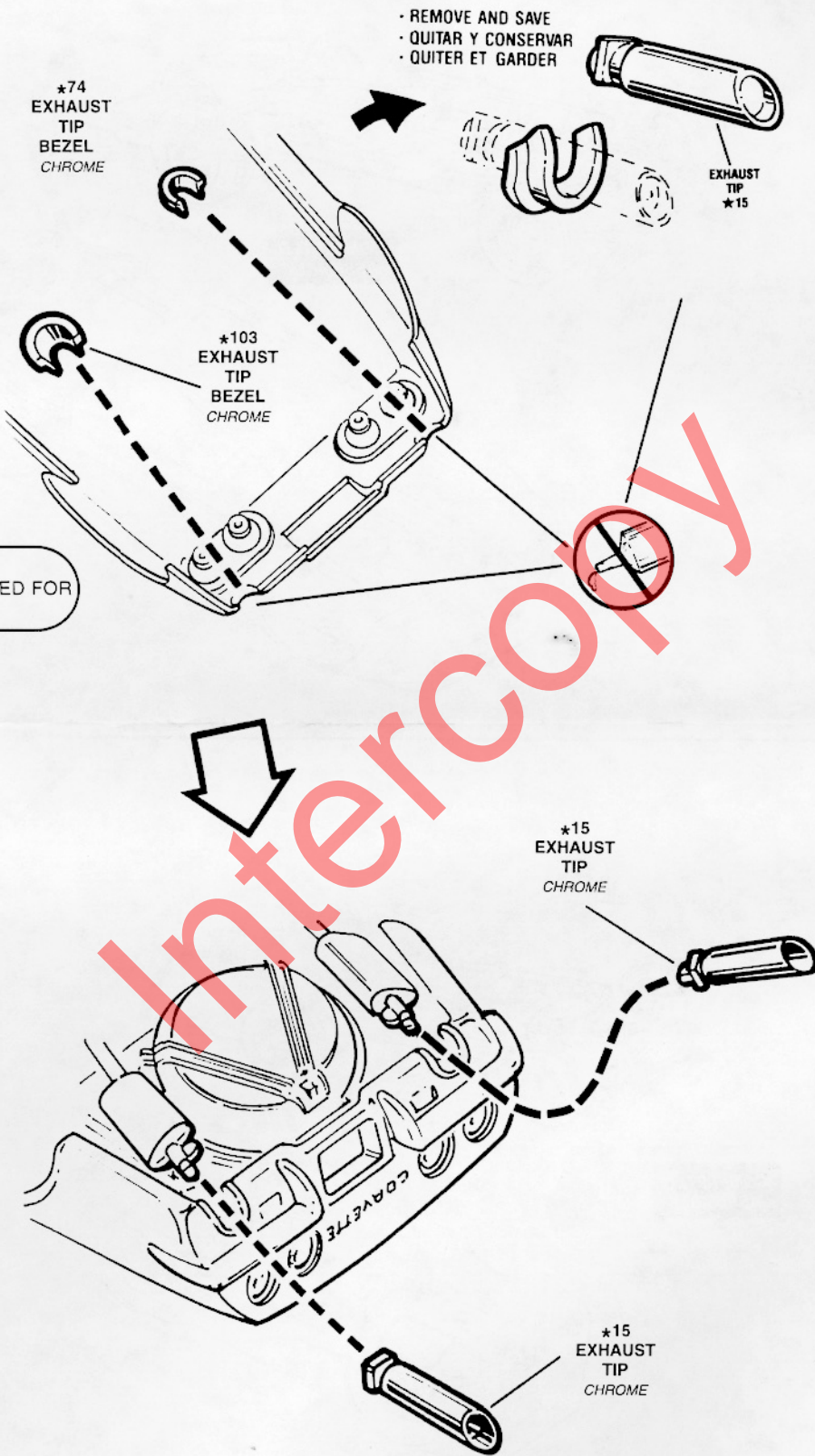
EXHAUST
TIP
★15

*103
EXHAUST
TIP
BEZEL
CHROME

NOTE
CHASSIS DETAIL OMITTED FOR
CLARITY

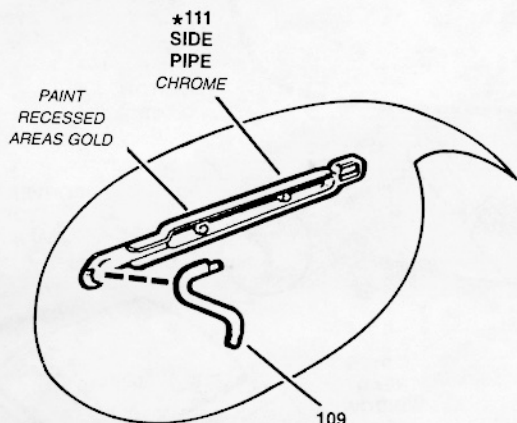
*15
EXHAUST
TIP
CHROME

*15
EXHAUST
TIP
CHROME

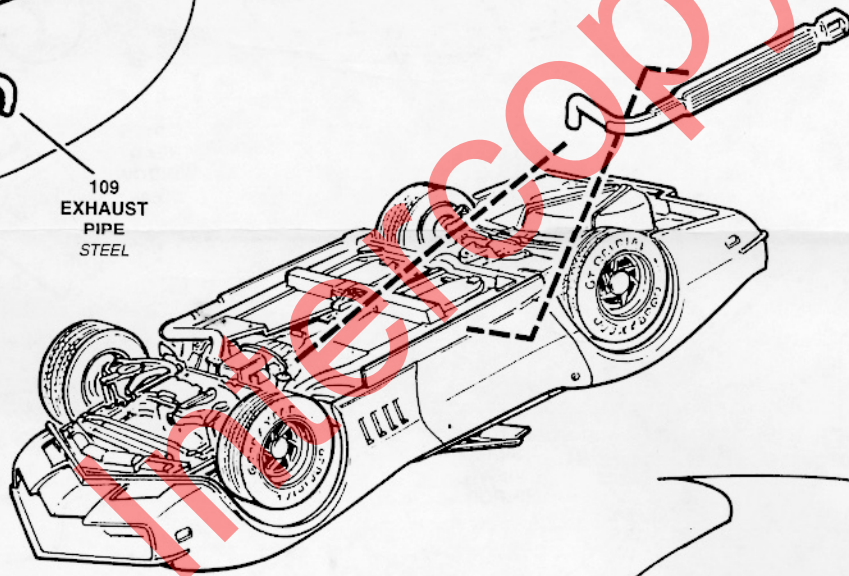


EXHAUST ASSEMBLY

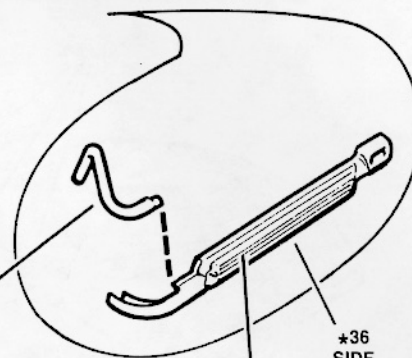
CUSTOM
VERSION
ONLY



109
EXHAUST
PIPE
STEEL

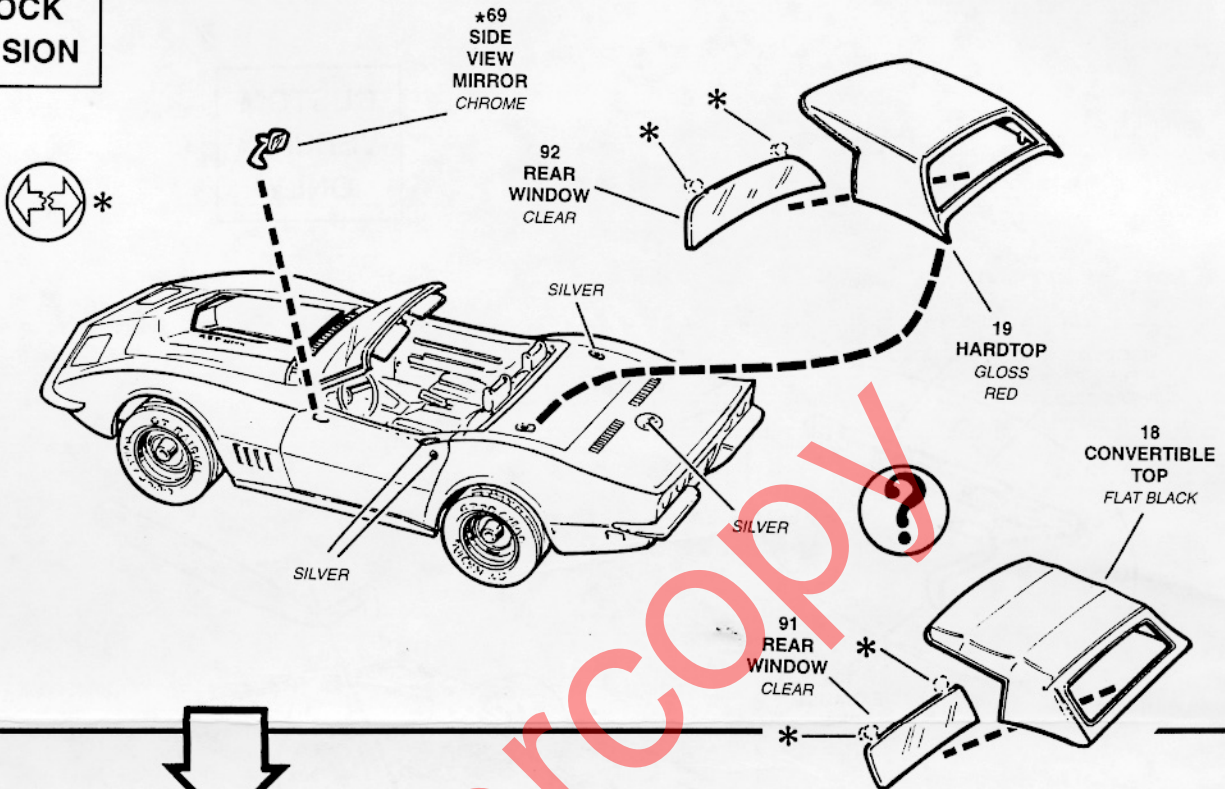


35
EXHAUST
PIPE
STEEL

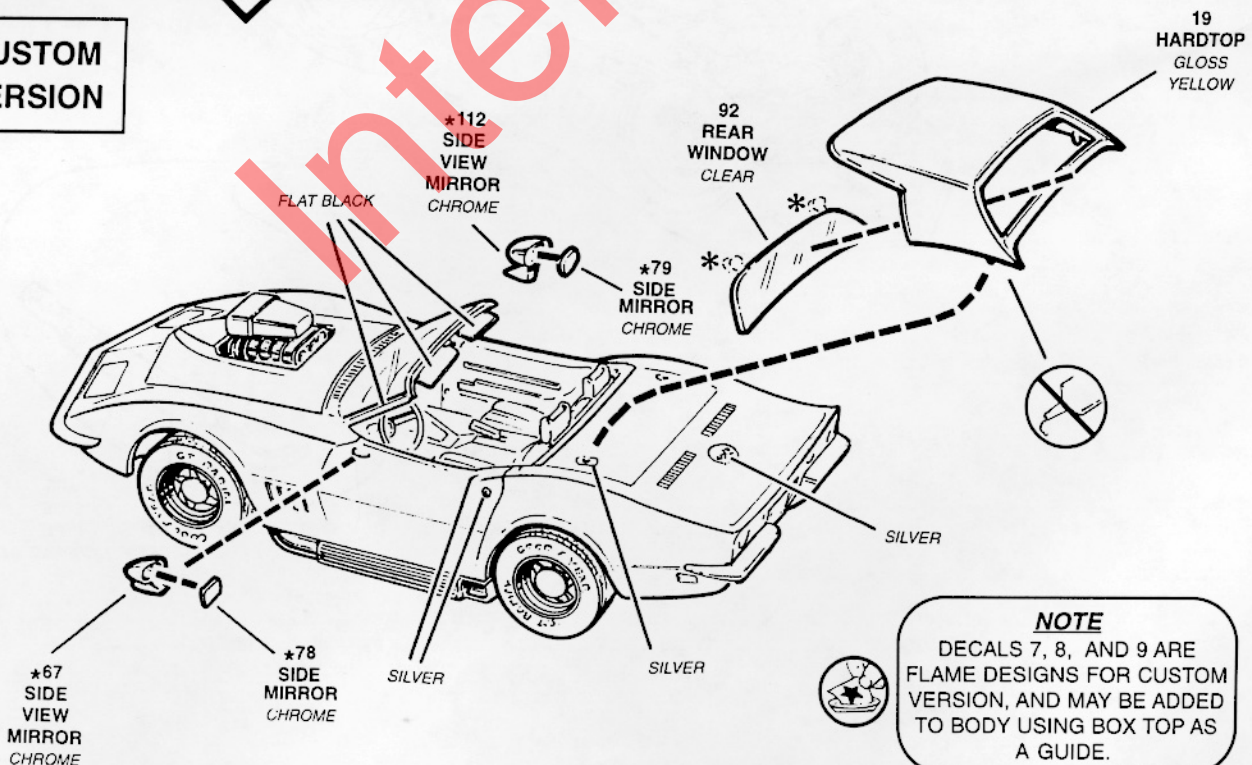


PAINT
RECESSED
AREAS GOLD

STOCK VERSION



CUSTOM VERSION



NOTE
DECALS 7, 8, AND 9 ARE FLAME DESIGNS FOR CUSTOM VERSION, AND MAY BE ADDED TO BODY USING BOX TOP AS A GUIDE.

• REMAINING PARTS MAY BE DISCARDED.
• SE DEFAIRE DES PIÈCES RESTANTES.
• LAS PIEZAS QUE SOBREN PUEDEN DESCARTARSE.

85254400200