



KIT 2053

85205300200

DONK '86 CHEVY MONTE CARLO™

“DONKS” are the hottest new car culture! Originating with ‘70’s vintage Impalas and Caprices, now it’s “anything goes”! The name of the high-riser game is BIGGER IS BETTER! You can’t be caught rollin’ on 20’s...all that matters is who has the biggest and the baddest...it’s all about the braggin’ rights. Each of the Revell® DONK series kits feature at least two sets of rims-the factory stockers and those outrageous twenty-plus-plus inches, optional raised suspension set-up, detailed V-8 engines (once you get it up, you gotta get it going), and authentic factory stock plus wild custom interior graphic decals.



* REPEAT SEVERAL TIMES
* A REPETER PLUSIEURS FOIS



* OPTIONAL PARTS
* PIECES EN OPTION



* DECAL
* DECAL COMANIE



* ALTERNATIVE ASSEMBLY
* ENSEMBLAGE ALTERNATIVE



* CEMENT TOGETHER
* A COLLER



* REMOVE AND THROW AWAY
* A RETIRER ET JETER



* DO NOT CEMENT
* NE PAS COLLER

READ THIS BEFORE YOU BEGIN

- * Study the assembly drawings.
- * Each plastic part is identified by a number.
- * In the assembly drawings, some parts will be marked by a star (★) to indicate chrome plated plastic.
- * For better paint and decal adhesion, wash the plastic parts in a mild detergent solution. Rinse and let air dry.
- * Check the fit of each piece before cementing in place.
- * Use only cement for polystyrene plastic.
- * Scrape plating and paint from areas to be cemented.
- * Allow paint to dry thoroughly before handling parts.
- * Any unused parts may be discarded.

DECAL APPLICATION INSTRUCTIONS

1. Cut desired decal from sheet.
2. Dip decal in water for a few seconds.
3. Place wet decal on paper towel.
4. Wait until decal is movable on paper backing.
5. Place decal in position on model, face up and slide backing away.
6. Press out air bubbles with a soft damp cloth.
7. Milkiness that may appear is for better decal adhesion and will dry clear. Wipe away any excess adhesive.
8. Do not touch decal until fully dry.
9. Allow the decals 48 hours to dry before applying clear coat.

NOTE: Decals are compatible with setting solutions or solvents.

LIRE CE QUI SUIT AVANT DE COMMENCER

- * Etudier les schémas de montage.
- * Chaque pièce en plastique est identifiée par un numéro.
- * Sur les schémas de montage, certaines pièces sont marquées d'une étoile (★) pour indiquer qu'elles sont en plastique chromé.
- * Pour une meilleure prise de la peinture et des autocollants, laver les pièces en plastique avec une solution détergente peu concentrée. Les rincer et les laisser sécher à l'air.
- * Vérifier que chaque pièce s'ajuste bien avant de la coller en place.
- * N'utiliser que de la colle pour polystyrène.
- * Gratter les parties à coller pour enlever le chrome et la peinture.
- * Laisser la peinture bien sécher avant de manipuler les pièces.
- * Toute pièce inutilisée peut être jetée.

DIRECTIVES D'APPLICATION DES AUTOCOLLANTS

1. Découper l'autocollant désiré de la feuille.
2. Tremper l'autocollant dans de l'eau pendant quelques secondes.
3. Placer l'autocollant mouillé sur une serviette en papier.
4. Attendez que l'autocollant puisse être déplacé sur son support en papier.
5. Mettre l'autocollant en position sur le modèle face sur le dessus et faire glisser le support pour l'enlever.
6. Appuyer avec un chiffon doux humide pour éliminer les bulles d'air.
7. La substance laiteuse qui peut apparaître est destinée à améliorer l'adhésion de l'autocollant et devient incolore au séchage. Essuyer pour enlever tout excédent d'adhésif.
8. Ne pas toucher l'autocollant tant qu'il n'est pas bien sec.
9. Laisser l'autocollant sécher pendant 48 heures avant d'appliquer une couche transparente.

REMARQUE: Les autocollants sont compatibles avec les solutions de fixation ou les solvants.

This paint guide is provided to complete this kit as shown on the box.

Ce guide de peinture est fourni pour reproduire le modèle réduit qui apparaît sur la boîte.

Aluminum	Aluminum
Flat brown	Brun mat
Semigloss black	Noir satiné
Semigloss white	Noir lustré
Gloss green	Vert lustré
Silver	Argent
Turn signal amber	Ambre
Flat Black	Noir mat

If you have any questions or comments, call our hotline at: **(800) 833-3570**
or, please write to:

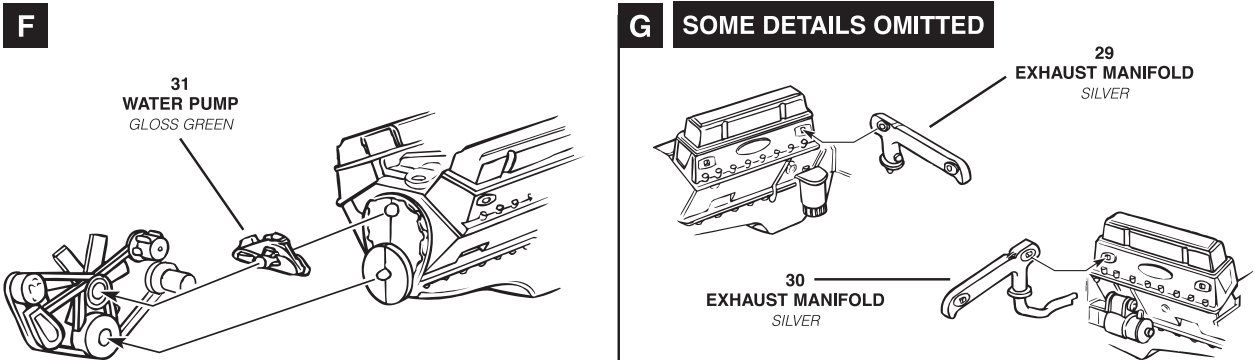
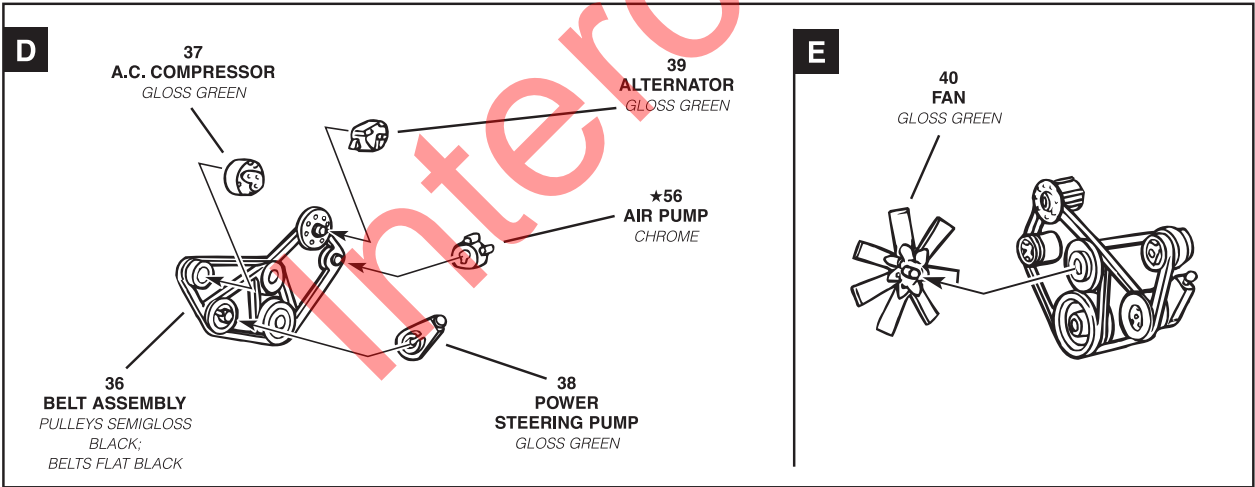
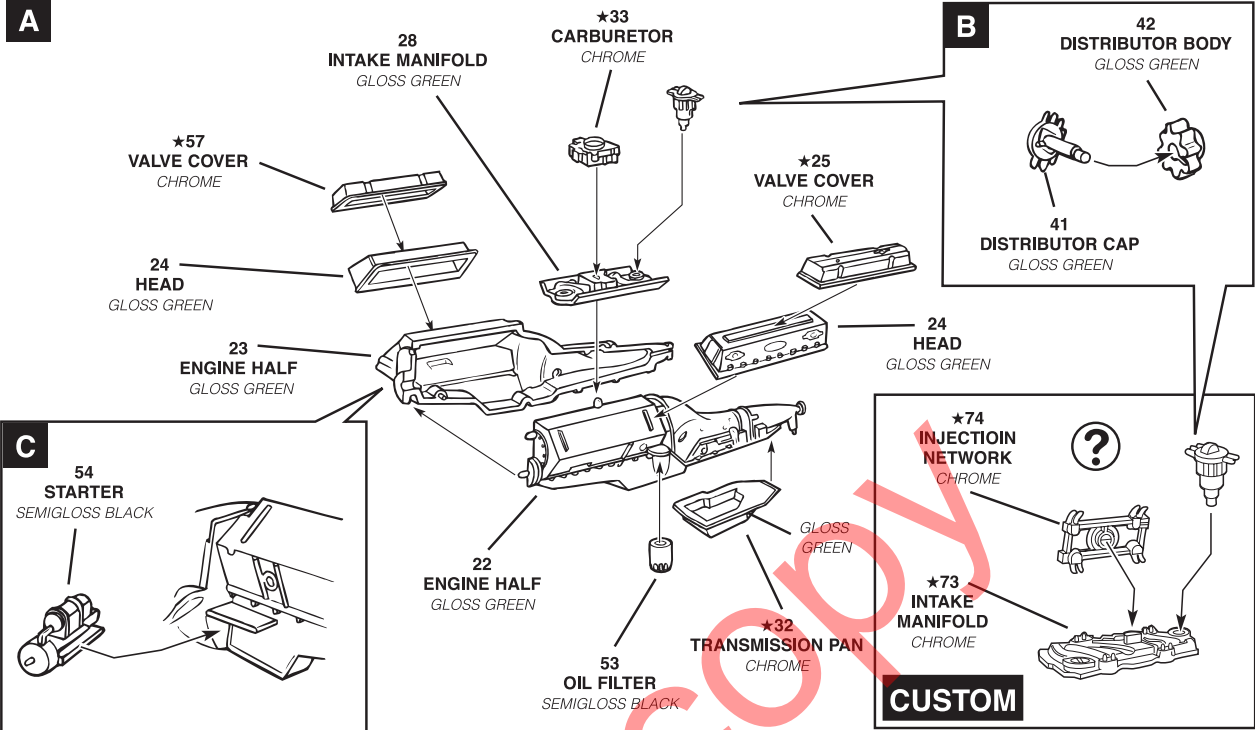
Revell-Monogram Consumer Service Department, 725 Landwehr Road, Northbrook, Illinois 60062

Be sure to include the plan number (85205300200), part number, description, your return address and phone number.

Visit our website: www.revell.com

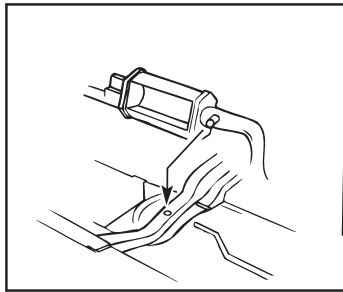
1

ENGINE ASSEMBLY

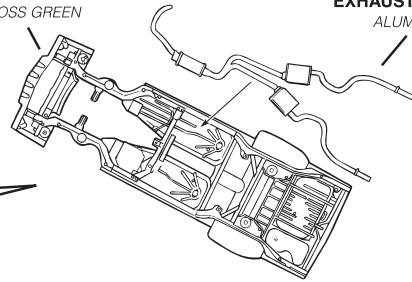


2

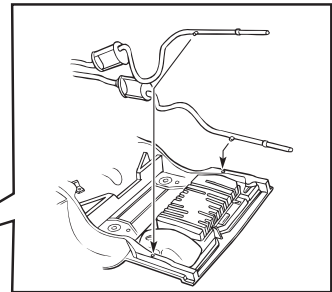
CHASSIS ASSEMBLY



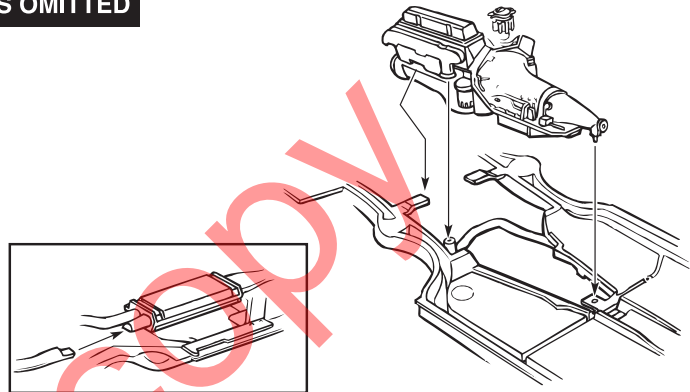
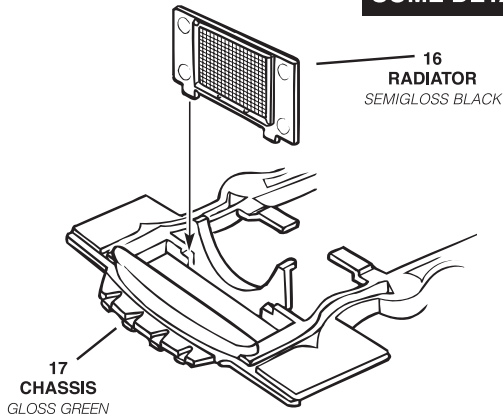
17
CHASSIS
GLOSS GREEN



35
EXHAUST SYSTEM
ALUMINUM



SOME DETAILS OMITTED



3

WHEEL ASSEMBLY

4X

?

117
BRAKE DUST
SHIELD
GLOSS GREEN

118
INNER WHEEL
FLAT BLACK

★119
OUTER WHEEL
CHROME

CUSTOM

?

84
CUSTOM
INNER WHEEL
FLAT BLACK

★83
OUTER WIRE
WHEEL
CHROME

STOCK

?

★21
OUTER WHEEL
CHROME

PAINT CENTER
AREA ALUMINUM

20
INNER WHEEL
FLAT BLACK

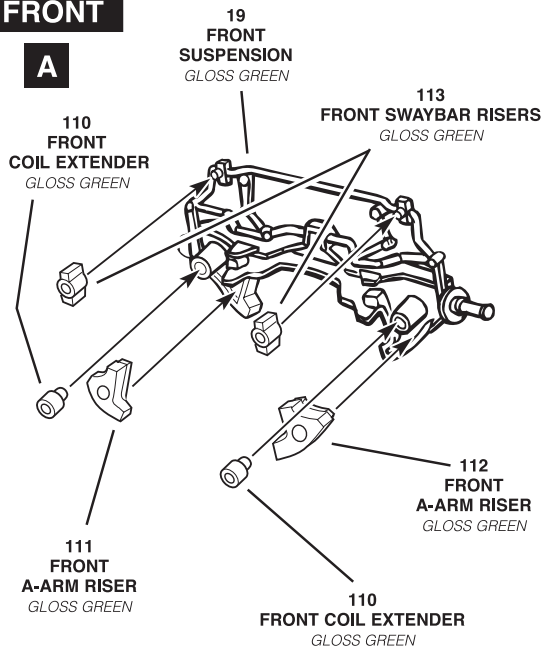
4

RAISED SUSPENSION ASSEMBLY

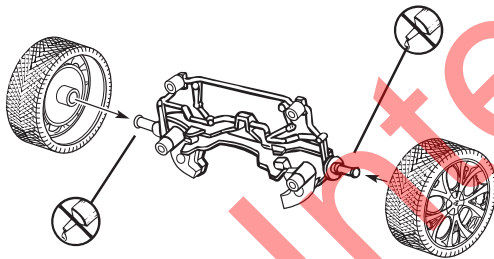
NOTE : FOR STOCK VERSION OMIT PARTS 110, 111, 112, 113, 114, 115 AND 116

FRONT

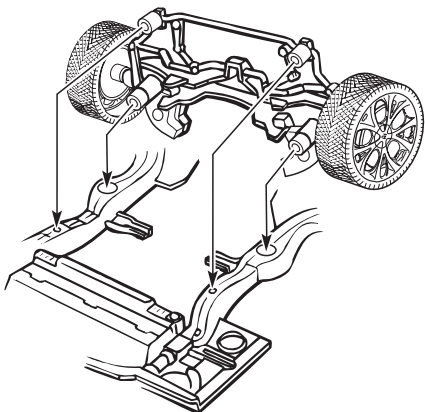
A



B

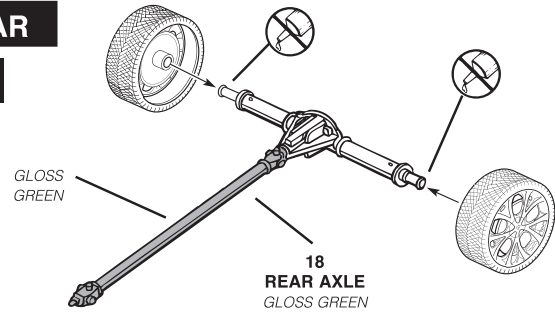


C



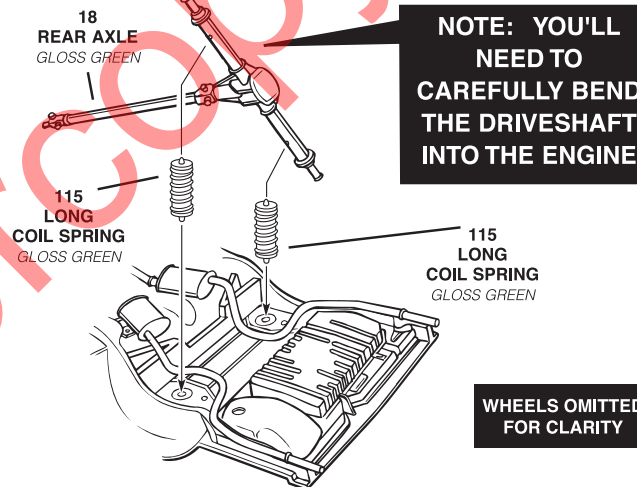
REAR

A

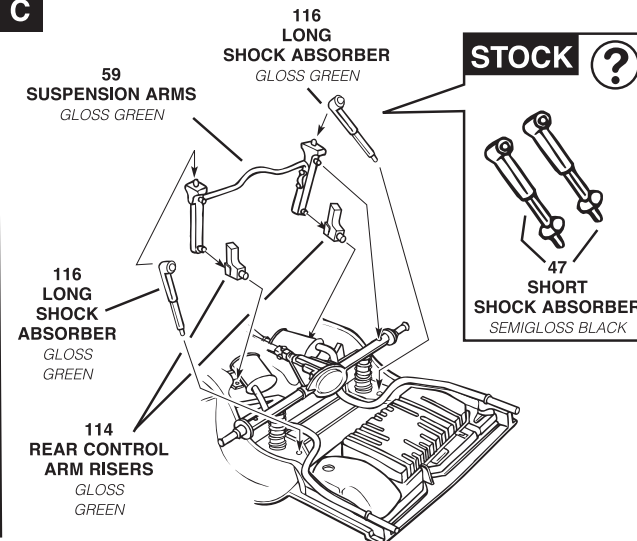


B

STOCK

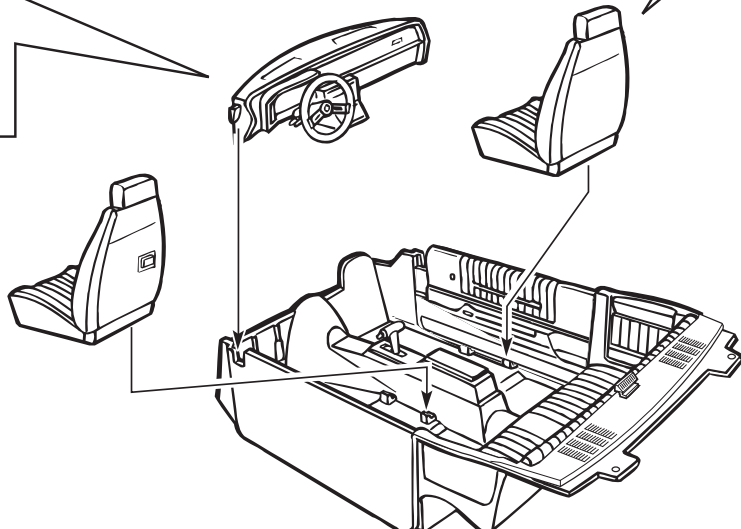
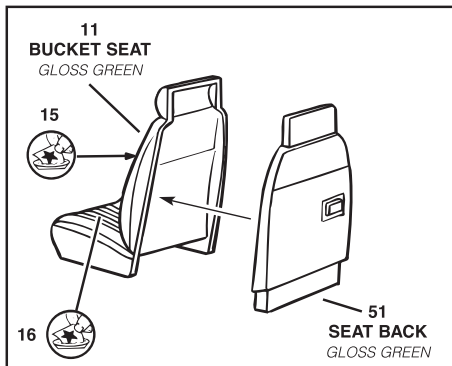
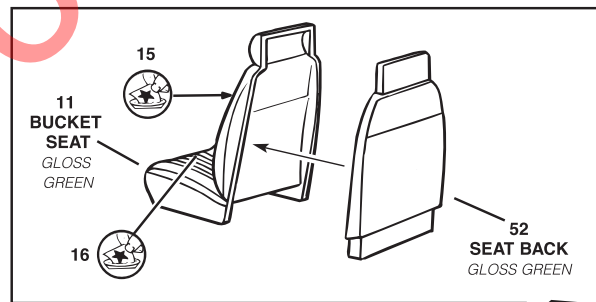
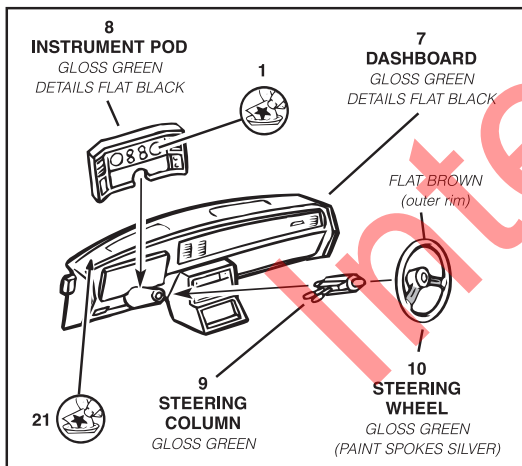
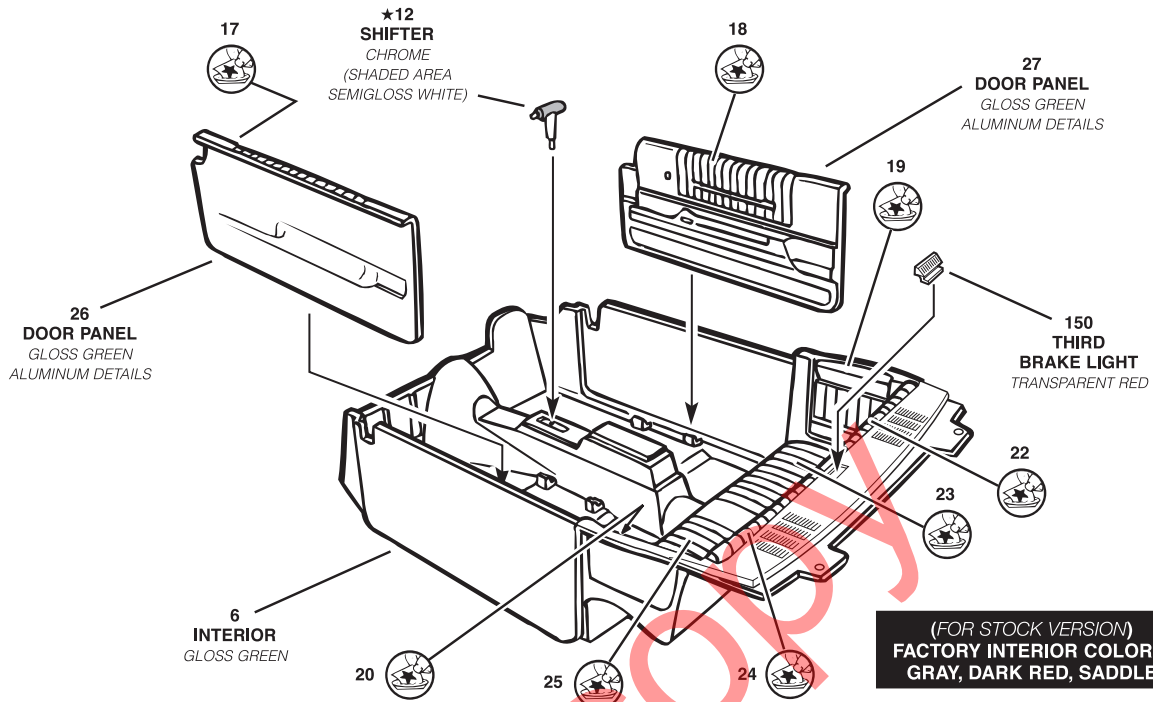


C



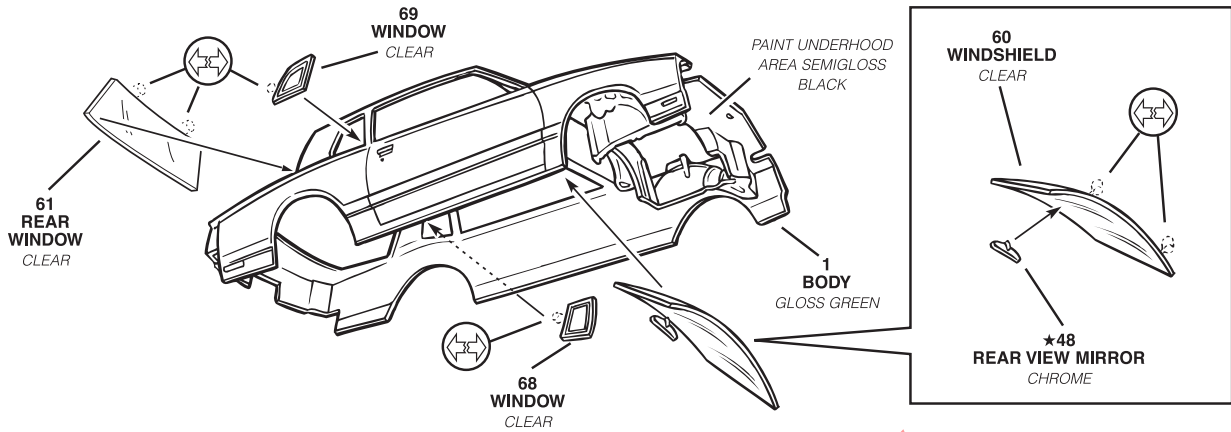
5

INTERIOR ASSEMBLY



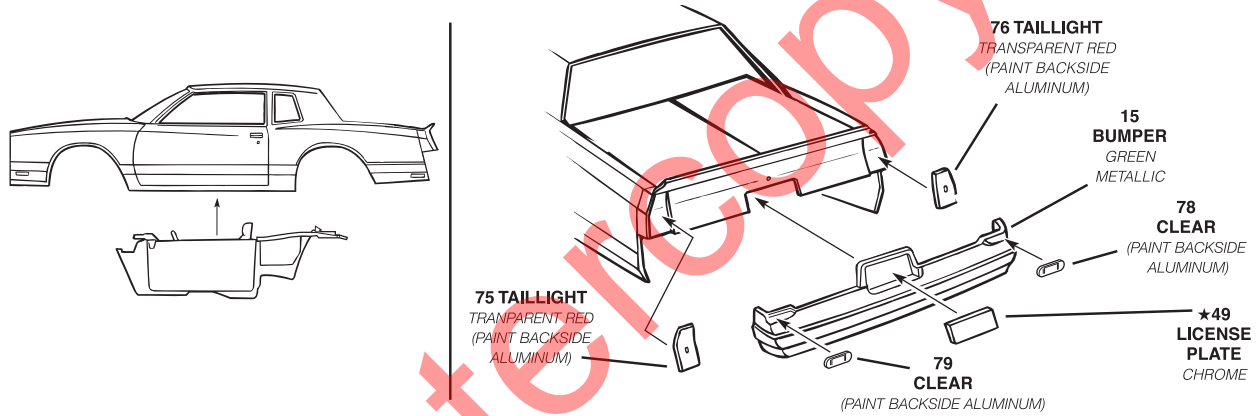
6

WINDOW ASSEMBLY



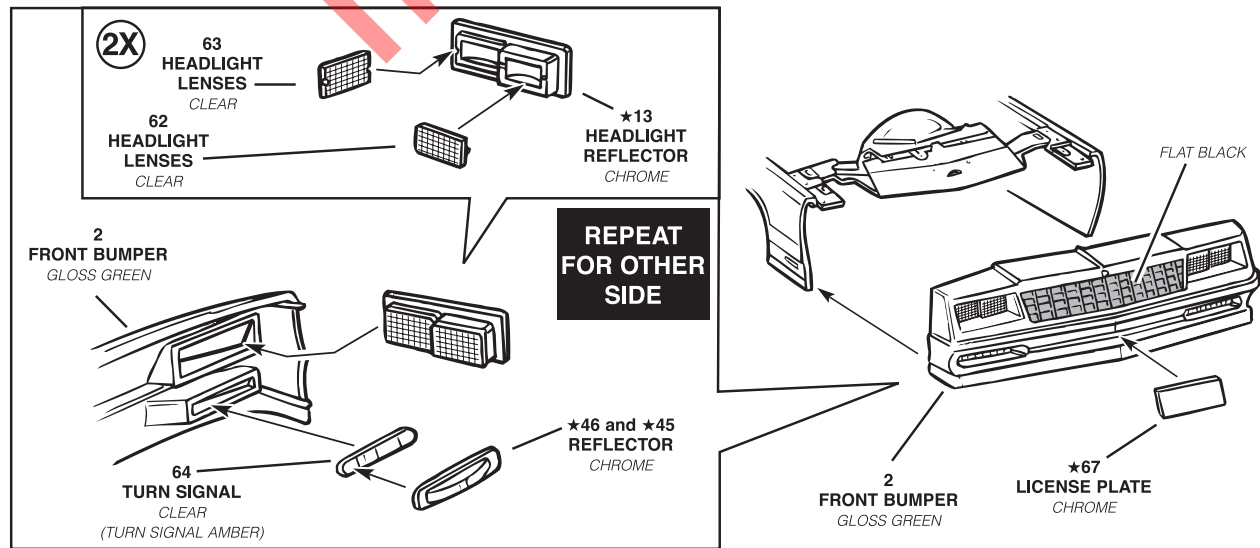
7

INTERIOR / REAR ASSEMBLY



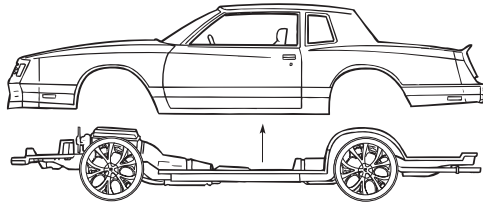
8

FRONT ASSEMBLY



9

BODY TO CHASSIS ASSEMBLY



10

UNDER HOOD ASSEMBLY

ENGINE NOT SHOWN

★55 MASTER CYLINDER CHROME

SEMIGLOSS WHITE

50 HOSE FLAT BLACK

2

★34 AIR CLEANER CHROME

FLAT BLACK

★82 INDUCTION PIPES CHROME

SEMIGLOSS BLACK

★71 INTAKE PLENUM CHROME

★72 INDUCTION PIPES CHROME

SEMIGLOSS BLACK

APPLY DECALS TO BATTERY TOP

5

3

4

?

?

This section contains several diagrams for under-hood assembly. The first diagram shows the master cylinder (★55) being installed on the brake lines, with a note that the engine is not shown. The second diagram shows a hose (50) being connected to a component (2). The third diagram shows the air cleaner (★34) being installed. The fourth diagram shows the induction pipes (★82) and intake plenum (★71) being installed. The fifth diagram shows the induction pipes (★72) being installed. The sixth diagram shows the battery top with decals being applied. The seventh diagram shows the induction pipes (★72) and intake plenum (★71) being installed. There are also question marks indicating further steps or options.

11

FINAL ASSEMBLY

3 HOOD GLOSS GREEN

★43 MIRROR CHROME (REPEAT FOR OTHER SIDE USING PART 44)

4 SIDE VIEW MIRROR GLOSS GREEN (REPEAT FOR OTHER SIDE USING PART 5)

REPEAT FOR OTHER SIDE

This section contains diagrams for the final assembly. The first diagram shows the hood (3) being installed on the car. The second diagram shows the side view mirror (4) being installed on the door. The third diagram shows the chrome mirror (★43) being installed on the door. A note indicates to repeat for the other side using part 44. A fourth diagram shows the side view mirror (4) being installed on the door. A note indicates to repeat for the other side using part 5. A final diagram shows the chrome mirror (★43) being installed on the door. A note indicates to repeat for the other side.

DECAL PLACEMENT

