

# Revell

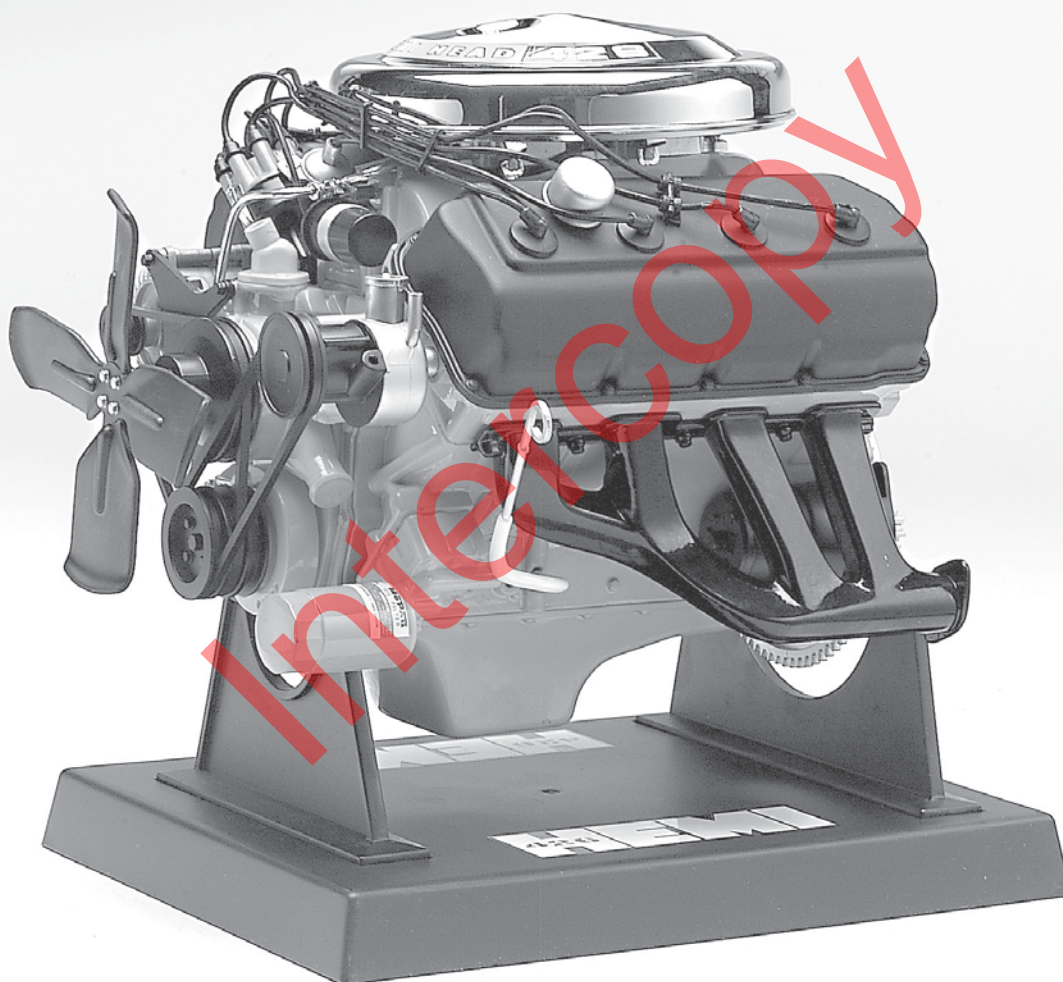
KIT 1564

85156400200

## DODGE® 426 HEMI STREET ENGINE

When the 426 Dodge® Hemi was introduced in 1964, it was designed strictly as a race engine. The street version differed from its racing cousin by virtue of a lower compression ratio (10.25:1), milder valve timing and different intake and exhaust manifolds. For everyday reliability, cast iron heads were used instead of aluminum. Throughout its eight year production life, very little changed inside the powerful 426 Hemi as the Chrysler Corp. never made any changes. The advertised horsepower and torque ratings, which stood at 425 hp at 5000 rpm and 490 foot-pounds of torque at 4000 rpm. Thanks largely to its exciting track record, the original 426 Hemi remains one of the most famous engines in automotive history.

Your 1/6th Revell kit includes rubber belts to connect all moving parts, so that when you turn the flywheel, the starter, alternator, fan and pulleys all rotate at the time! It's so true to life you'll almost want to put gas in it and fire it up!



\* REPEAT SEVERAL TIMES  
\* A REPETER PLUSIEURS FOIS



\* CEMENT TOGETHER  
\* A COLLER



\* DO NOT CEMENT  
\* NE PAS COLLER

If you have any questions or comments, call our hotline at: **(800) 833-3570**  
or, please write to:

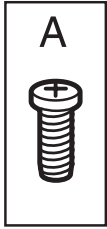
**Revell-Monogram Consumer Service Department, 725 Landwehr Road, Northbrook, Illinois 60062**

*Be sure to include the plan number (85156400200), part number, description, your return address and phone number.*

Visit our website: [www.revell.com](http://www.revell.com)

# 1

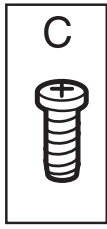
# ENGINE ASSEMBLY



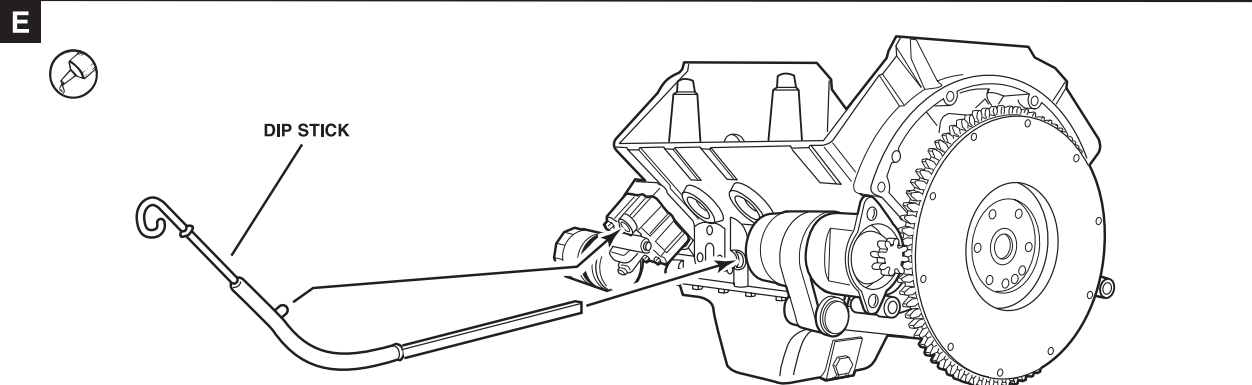
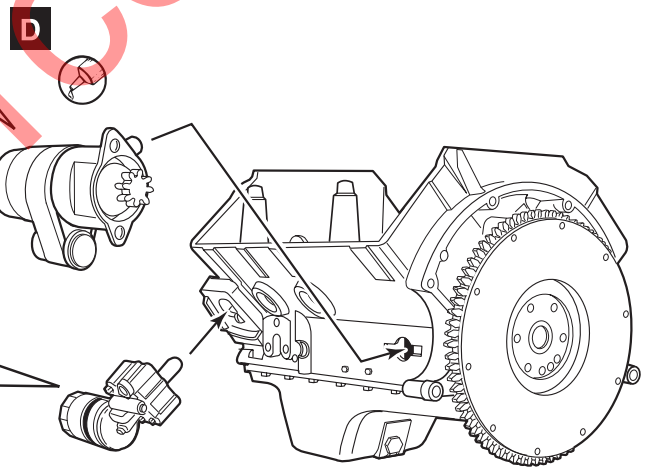
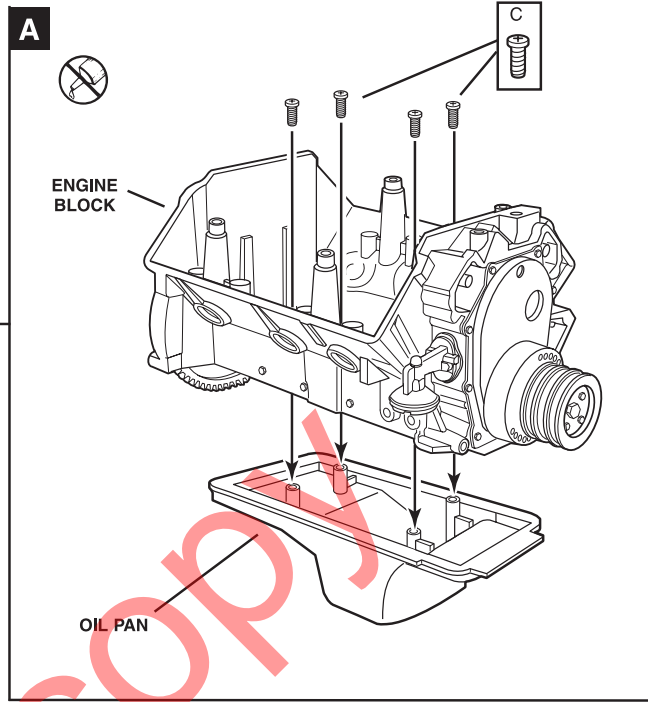
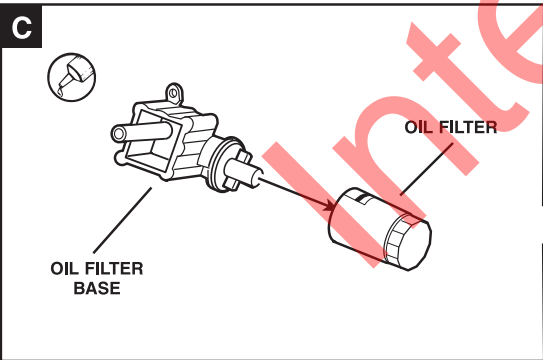
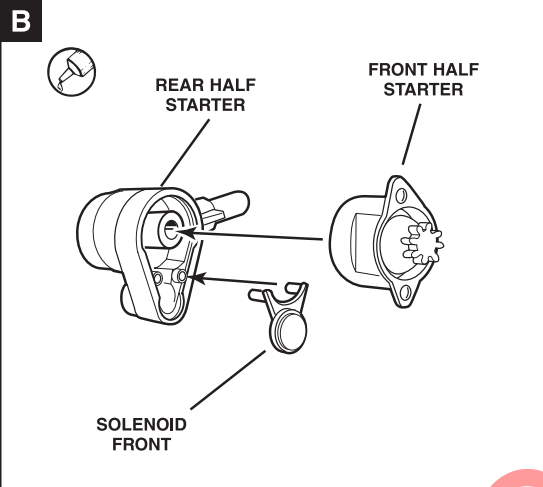
FINE  
THREAD



THICK  
COURSE

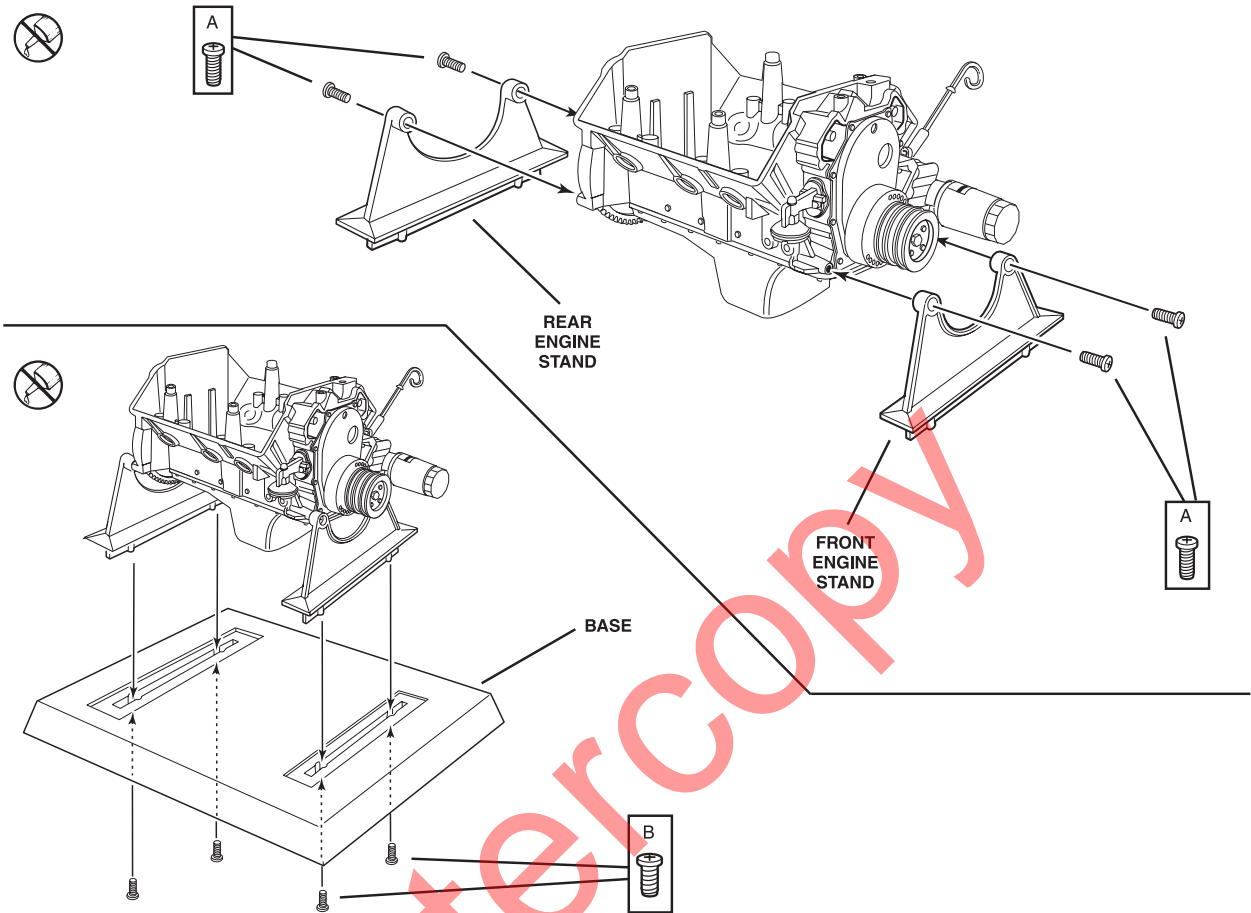


THIN  
COURSE



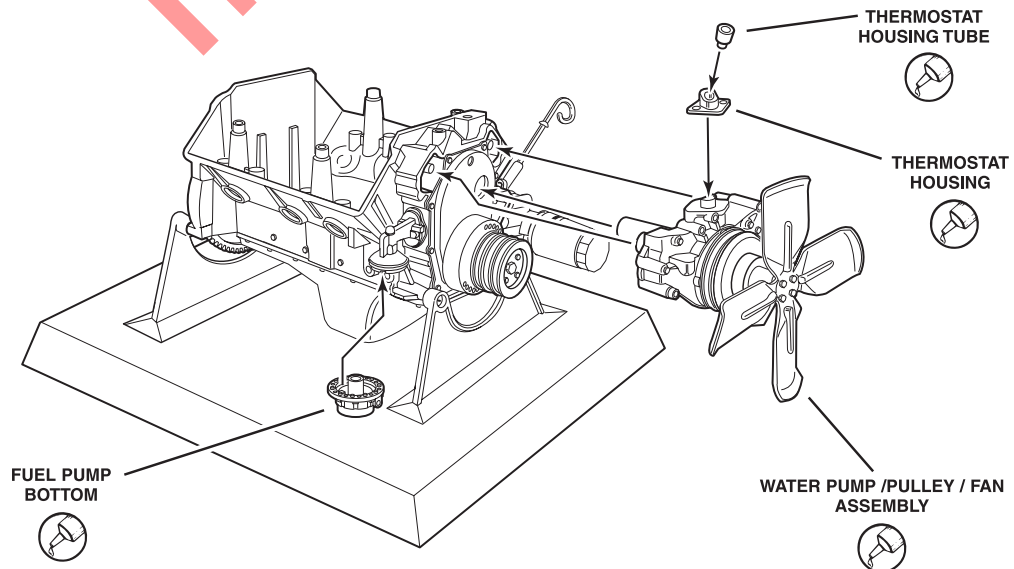
**2**

# BASE ASSEMBLY



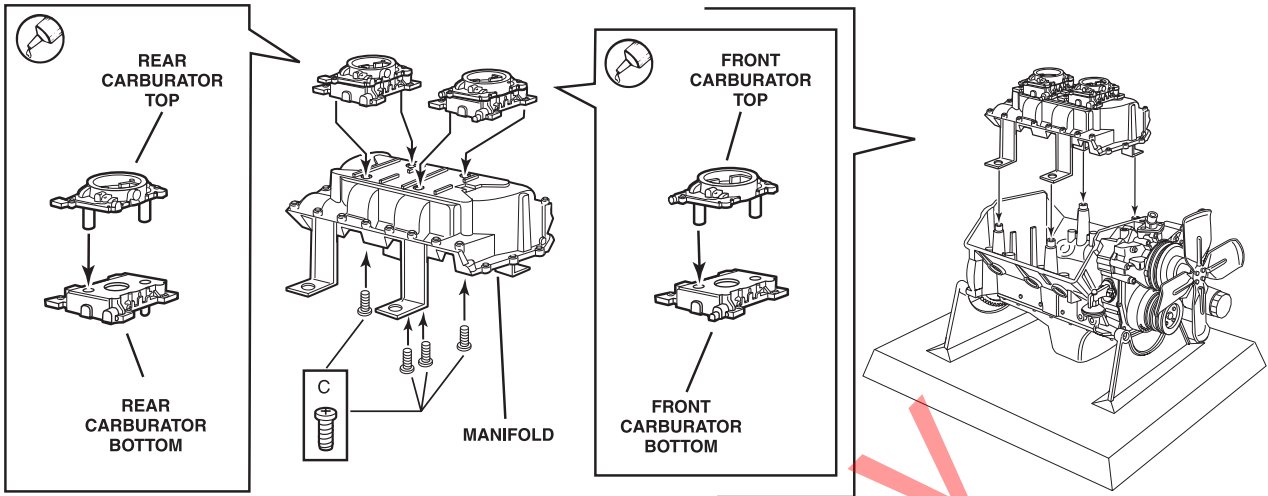
**3**

# FRONT ENGINE ASSEMBLY



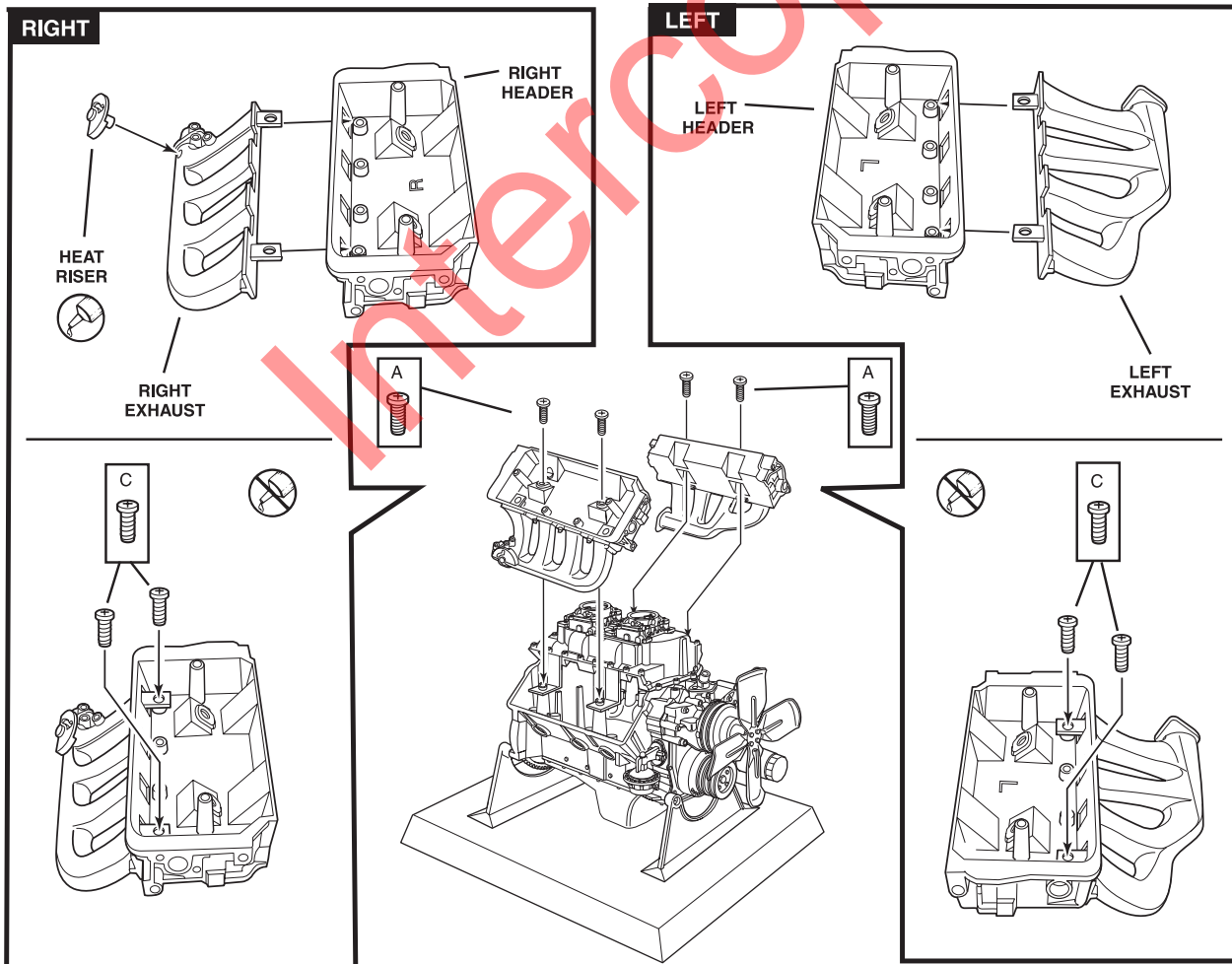
# 4

# CARBURATOR ASSEMBLY



# 5

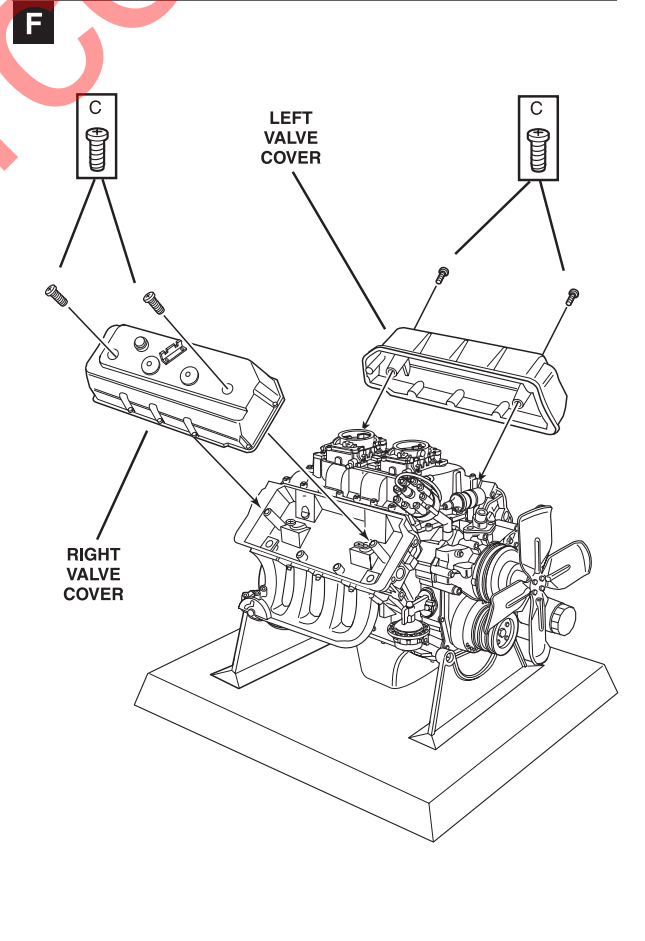
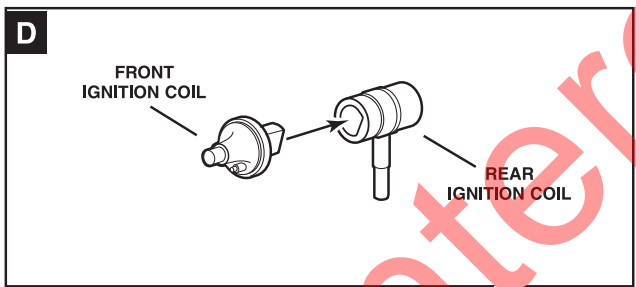
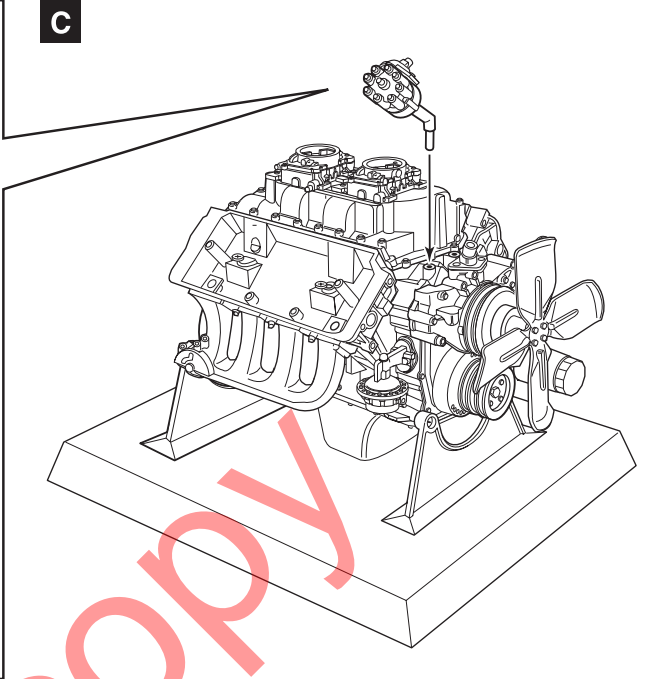
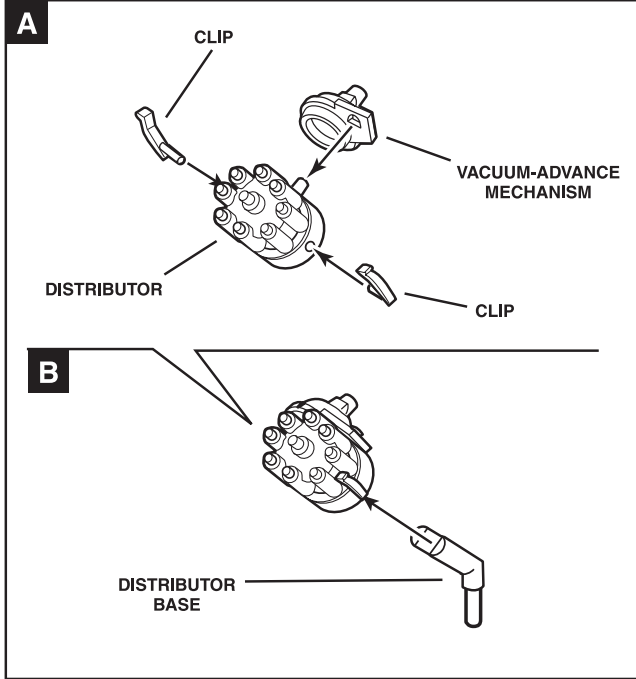
# HEADS / EXHAUST ASSEMBLY





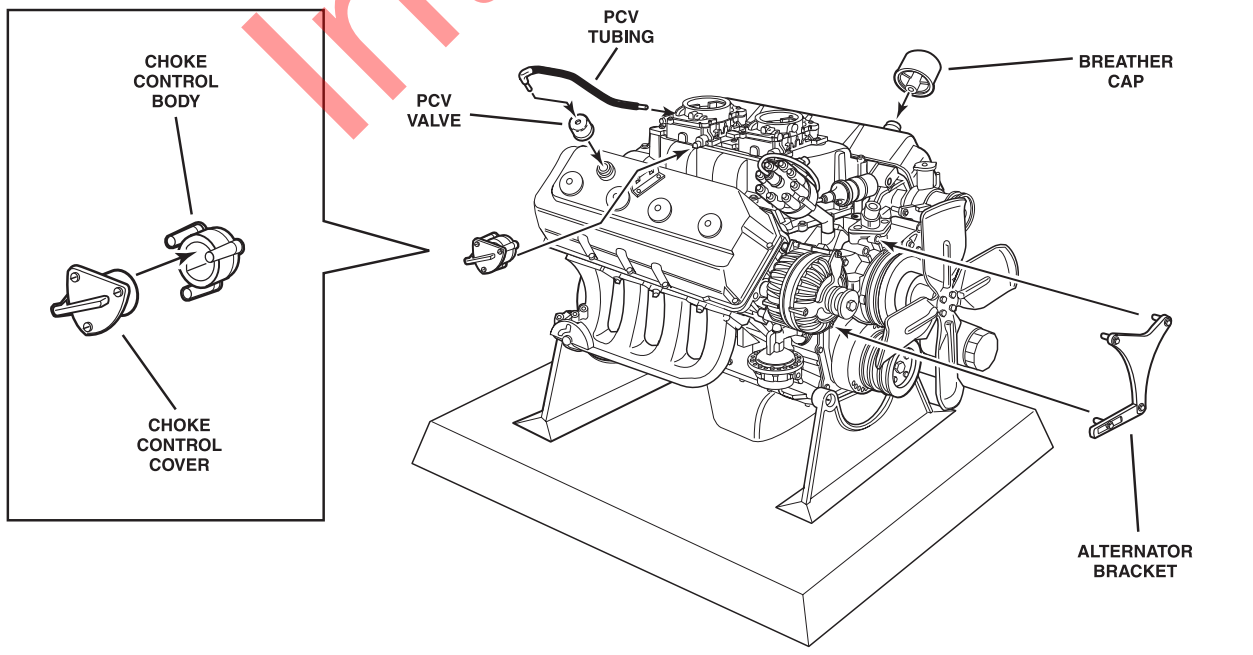
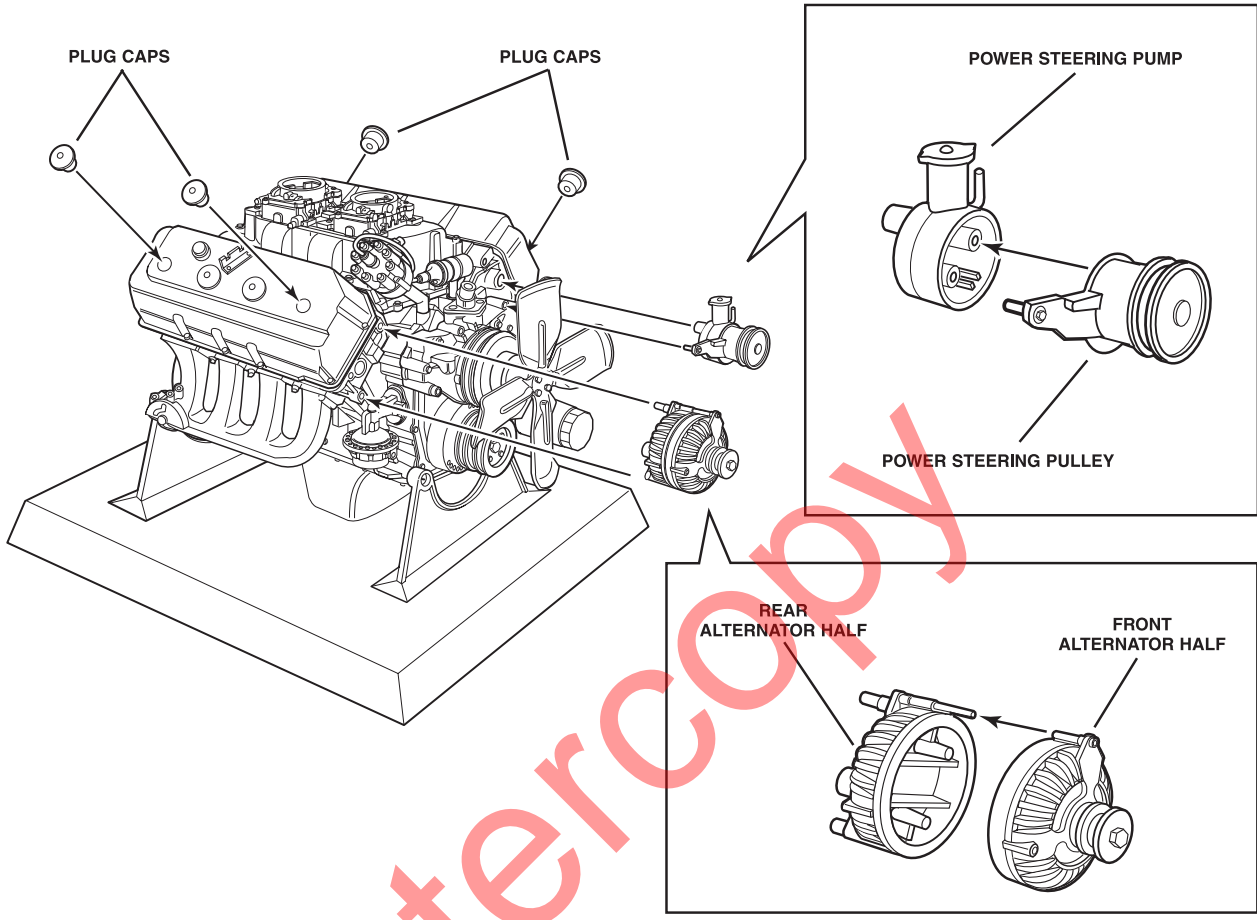
# 6

# DISTRIBUTOR / COIL ASSEMBLY



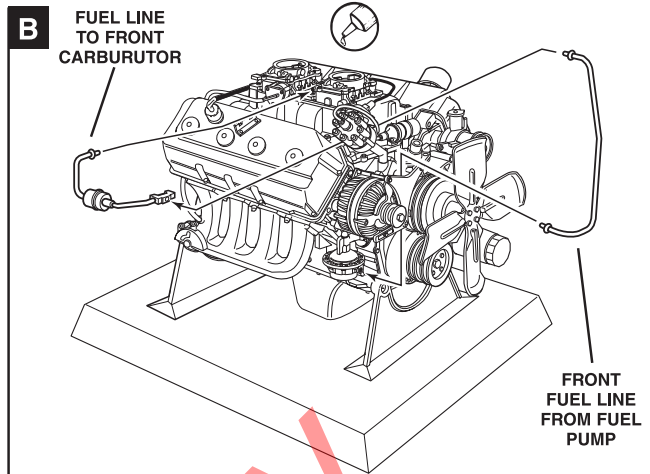
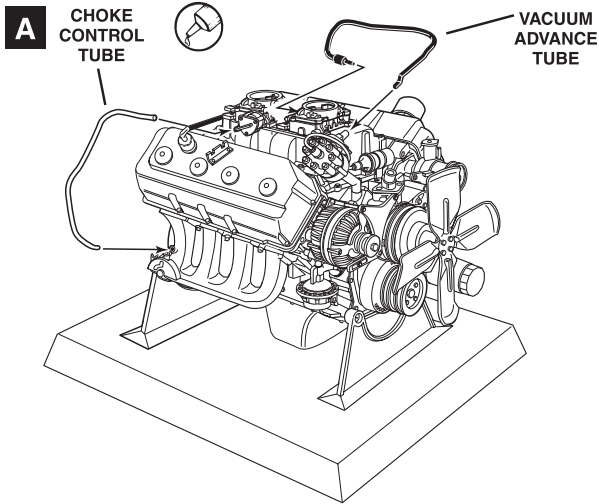
# 7

# GENERATOR / PUMP ASSEMBLY

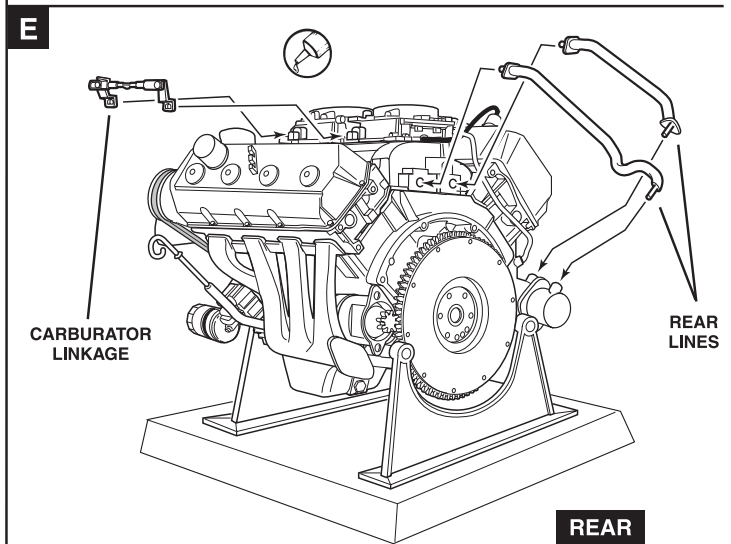
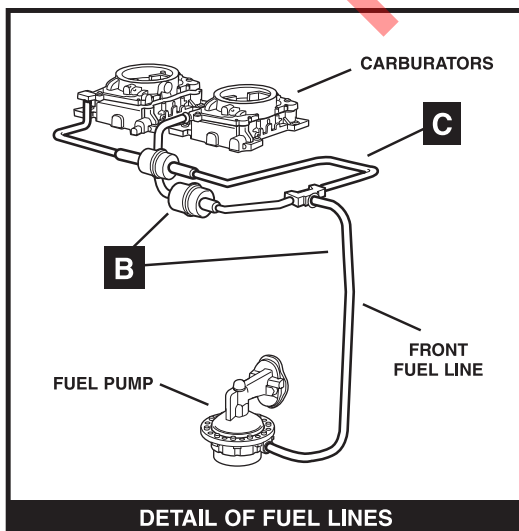
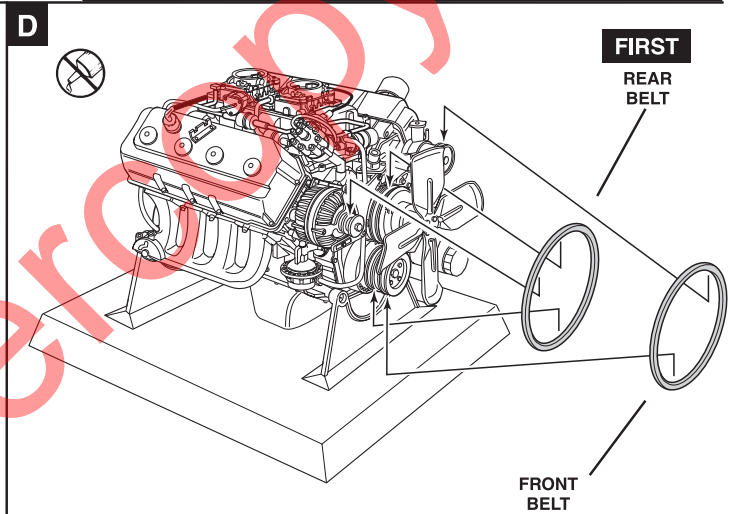
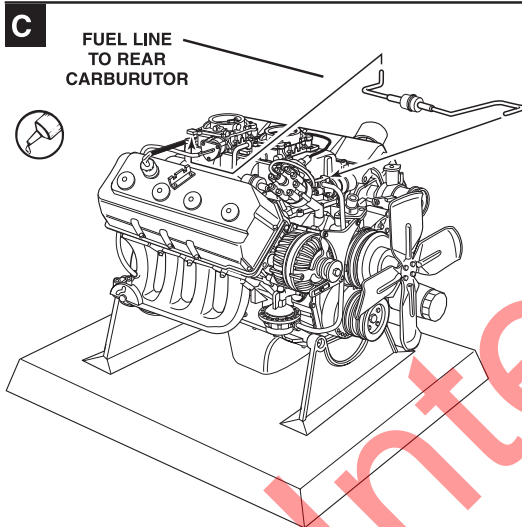


# 8

# TUBING / FUEL LINE ASSEMBLY



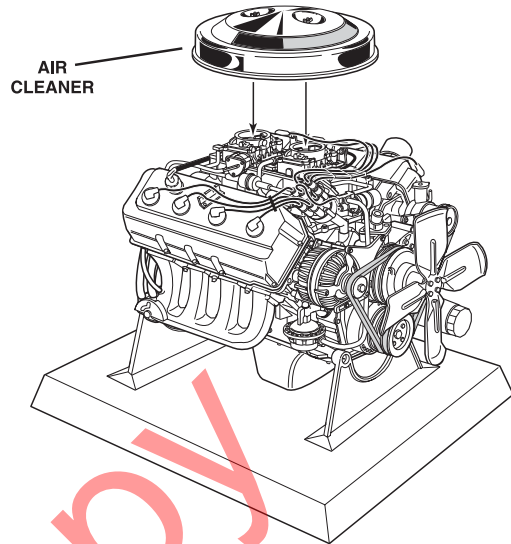
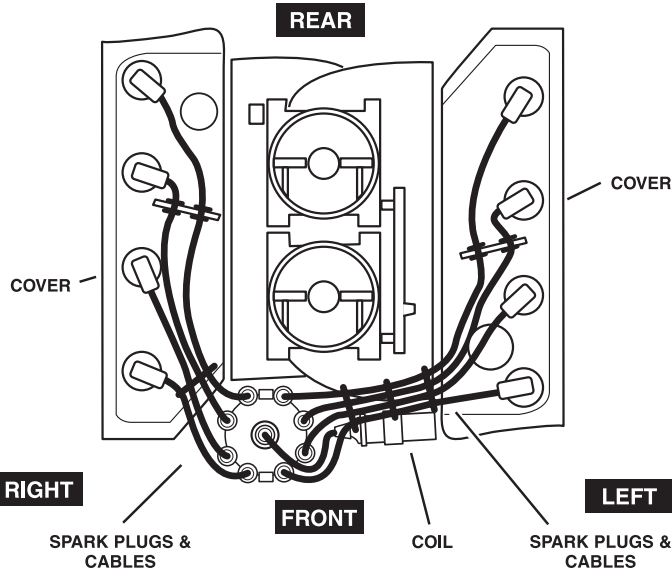
SEE CLOSE-UP OF FUEL LINES BELOW IN DETAIL



9

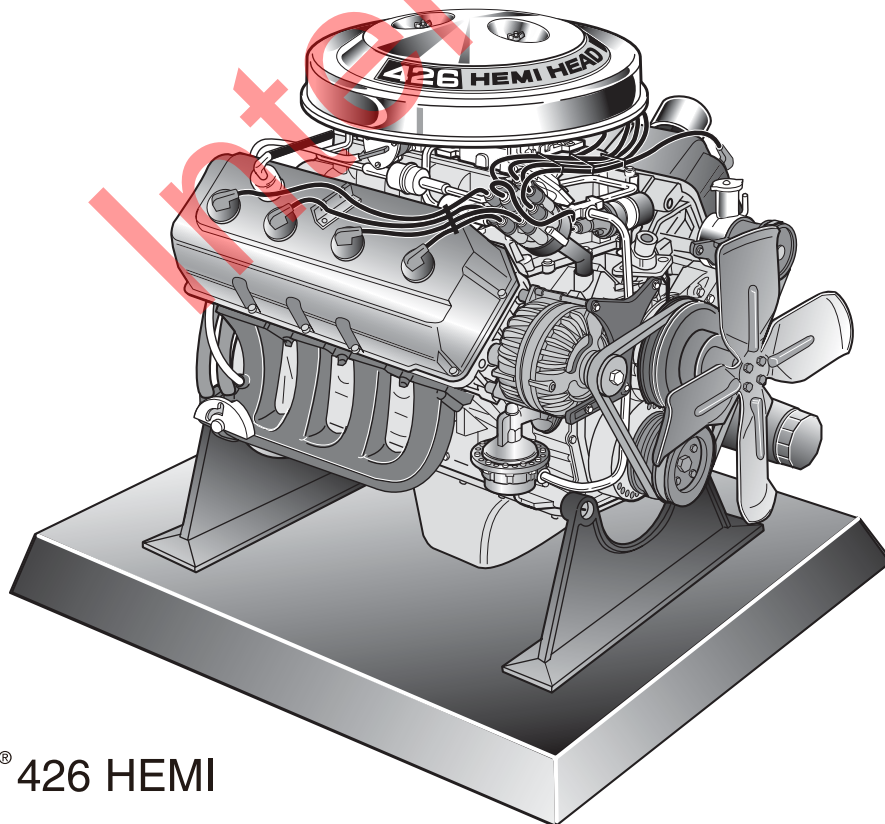
# FINAL ASSEMBLY

TOP VIEW SPARK PLUG DIAGRAM



10

# COMPLETED ENGINE



DODGE® 426 HEMI