



XP100 2.4GHz 2CH RADIO SYSTEM

OWNER'S MANUAL

#29208

FEATURES

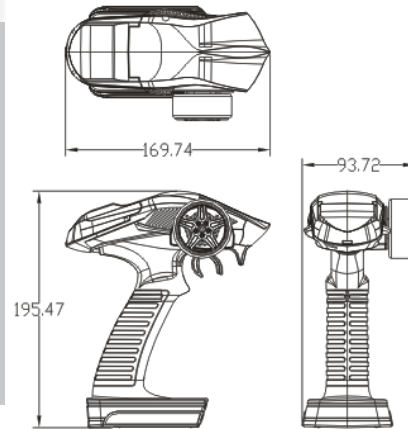
- Steering/Throttle trim adjustment
- Steering/Throttle servo reversing
- Steering/Throttle dual-rate adjustment
- LED on/off indicator
- Low battery warning
- Integrated antenna
- Ergonomic Pistol-grip & steering wheel

Congratulations on your purchase of Team Associated's XP100 2-Channel Radio System. Designed using advanced wireless technology, The XP100 will advance and simplify control of your surface model and minimize interference while providing many years of enjoyment.

Before installing and operating your new radio system, please take a few minutes to familiarize yourself with the various features of the system by reading this instruction manual thoroughly.

SPECIFICATIONS

Model	Team Associated XP100	
Part #	29208	
Configuration	Pistol grip	
Frequency Band	2.4 GHz	
Channels	2	
Input voltage	AA x4	
Dimensions	Length (mm)	169.74
	Height (mm)	195.47
	Width (mm)	93.72

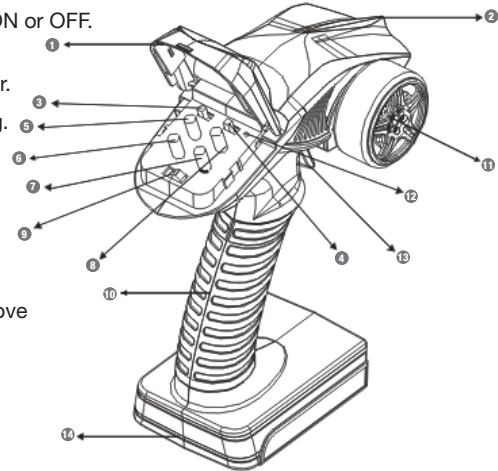


WARRANTY

Your Team Associated XP100 2-Channel Radio System is warranted to the original purchaser for 30 days from the date of purchase, verified by the sales receipt, against defects in material and workmanship. Product that has been mishandled, abused, used incorrectly, used for an application other than intended or damaged by the user is not covered under warranty. Associated Electrics Inc. is not liable for any loss or damage, whether direct or indirect, incidental or consequential, or from any special situation, arising from the use, misuse, or abuse of this product.

TRANSMITTER CONTROLS/FUNCTIONS

- 1. Control Box:** Lifting the lid allows access to the ON/OFF switch and various adjustments.
- 2. 2.4GHz Antenna:** The internal antenna is housed within the radio's plastic housing.
- 3. Steering Reverse Switch:** Reverses the steering servo's direction of rotation.
- 4. Throttle Reverse Switch:** Reverses the throttle servo's direction of rotation.
- 5. Throttle Dual-Rate (TH D/R):** Adjust to add or reduce the amount of throttle throw.
- 6. Steering Dual-Rate (ST D/R):** Adjust to add or reduce the amount of steering throw.
- 7. Steering Trim:** Allows small adjustments to the steering so that your model will travel straight when the steering wheel is in its neutral position.
- 8. Throttle Trim:** Allows small adjustments to the throttle to shift the neutral position.
- 9. ON/OFF Switch:** Slide to turn the transmitter ON or OFF.
- 10. Pistol Grip Handle:** An ergonomic grip allows easy access to the throttle/brake/reverse trigger.
- 11. Steering Wheel:** Controls the vehicle's steering.
- 12. LED Power Indicator:** Indicates whether the radio is powered ON or OFF.
- 13. Throttle/Brake/Reverse Trigger:** Pull or push to control the vehicle's movement forward or backward.
- 14. Battery Box:** Slide to remove the cover to remove or install batteries.



INSTALLATION

Transmitter Batteries Replacement/Installation

- 1) Slide the battery box cover to access the batteries.
- 2) Install four (4) alkaline or rechargeable AA size batteries into the battery box holder.
- 3) Slide the battery box cover back into place making sure it is completely closed and secure.
- 4) Turn the power ON. If the power indicator LED fails to light, check the batteries for insufficient contact or incorrect polarity.

Check:

- a) Use only new alkaline cells all of the same brand.
- b) Make certain that the contacts in the battery box holder stay clean by using a pencil eraser to gently remove any corrosion or dirt that may accumulate on them. Clean the tabs each time new batteries are installed.
- c) If using a rechargeable batteries, be sure to follow the battery manufacturer's charging instructions.

Caution:

- a) Do not attempt to charge alkaline batteries. They may EXPLODE!
- b) Always be sure the batteries are installed in the correct polarity order. If the batteries are installed incorrectly, damage to the radio may result.
- c) When the radio is not in use for more than one week, remove the batteries from the radio.

Using Caution While Operating

- Do not operate the model or use the radio in the rain, in the presence of lightning, or at night.
- Do not operate the model or use the radio if you have been drinking alcohol or are under the influence of any other substance that will affect your skills.
- Always confirm that the radio has sufficient battery power before operating.
- Keep out of reach of children.
- Do not store the radio in temperatures below -10° C (14° F) or above 40° C (104° F) or in humid, dusty, or in high-vibration environments. Keep the radio away from direct sunlight.
- To prevent corrosion, remove the batteries from the radio if it will be stored for more than one week.



SC200-D

ESC/RECEIVER UNIT OWNER'S MANUAL

#29205

FEATURES

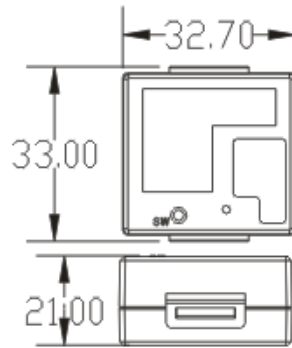
- Integrated receiver
- Water-resistant
- Forward w/brakes and reverse
- Durable case with heat sink
- Compact size
- Silicone power wires

INTRODUCTION

Reedy's SC200-D is an easy to use ESC designed for your Team Associated 1/18 scale RTR vehicle. The compact lightweight case houses a reversing brushed motor ESC and a built in receiver that pairs exclusively with Team Associated's XP100 Radio System.

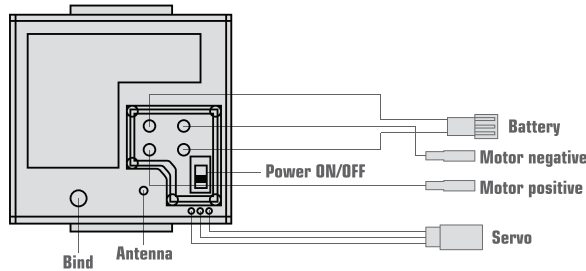
SPECIFICATIONS

Cells	NiMH 7.2V/ 6-cell 2/3A
Suggested Application	Team Associated 1/18
Brakes	Proportional
Reversible	Yes
Dimensions (mm)	33.0 x 32.7 x 21.0
Weight	90g (3.2oz)
Power Wires	Silicone
Connector	Battery/Micro, Motor/AE Blade, Receiver/FUT



INSTALLATION

- Mount your SC200-D securely using high quality double-sided tape.
- Insert the antenna into the vehicles antenna tube.
- Connect your servo, motor, and battery.
- ALWAYS power ON your transmitter before the ESC and power OFF the ESC before the transmitter.
- Bind your SC200-D to your XP100 Radio*.



*If you have purchased an RTR vehicle, your SC200-D and XP100 radio will already be bound. If you replace one or both components, bind the system by turning both components ON and pressing the "Bind" button with a small screwdriver.

CAUTION! ALWAYS switch the power OFF and unplug the battery after every use.

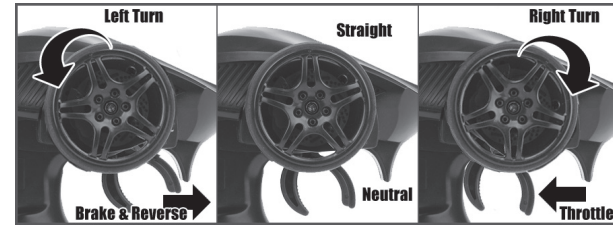
WARRANTY

Your Reedy Electronic Speed Control is warranted to the original purchaser for 30 days from the date of purchase, verified by the sales receipt, against defects in material and workmanship. Product that has been mishandled, abused, used incorrectly, used for an application other than intended or damaged by the user is not covered under warranty. Associated Electrics Inc. is not liable for any loss or damage, whether direct or indirect, incidental or consequential, or from any special situation, arising from the use, misuse, or abuse of this product.

OPERATION

Steering:

Turn the steering wheel left and right to move the vehicle left and right.



Throttle:

- From stopped to forward** -> from the neutral position, pull the trigger towards the pistol grip handle until you achieve the desired throttle level.
- From forward to neutral** -> return the trigger to the neutral position and the car will coast to a stop
- From forward to brakes** -> while the vehicle is moving forward, move the trigger away from the pistol grip handle beyond the neutral position until the desired braking is achieved.
- From forward to reverse** -> engage maximum brake until the car comes to a complete stop. Return the trigger to neutral and then move the trigger toward the brake position to move the car in reverse.
- From neutral to reverse** -> while stopped, engage maximum brake momentarily and return the trigger to the neutral position. Now move the trigger toward the brake position to move the car in reverse.
- From reverse to forward** -> while moving in reverse, apply forward throttle to bring the car to a stop. Once stopped, return the trigger to neutral and then pull the trigger to engage forward throttle.

SAFETY PRECAUTIONS

This product is a sophisticated hobby product and not a toy. It must be operated with caution and common sense and requires some basic mechanical ability. Failure to operate this product in a safe and responsible manner could result in injury or damage to the product or property. This product is not intended to be used by children without direct adult supervision. It is essential to read and follow all instructions and warnings found in this manual prior to installation, set up, and use, in order for the product to operate properly and to avoid damage or injury.



R0119 MICRO SERVO OWNER'S MANUAL

#29206

SPECIFICATIONS

Input (V)	6.0
Speed	.19 sec/60°
Torque	1.0 kg-cm
Dimensions (mm)	23.2 x 12.5 x 25.0
Weight (g)	9

INTRODUCTION

Reedy's R0119 is designed for small scale applications and is the standard servo in Team Associated's latest line of RTR 1/18 vehicles. A powerful motor means high torque and speed resulting in more positive driver input and immediate response.

Note: When installing the R0119 in older 1/10 RTR vehicles, the following Team Associated parts are required:
#21039 – 1:18 Servo Mount V2
#21043 – 1:18 Servo Saver Set V2

WARRANTY

Your Reedy servo is warranted to the original purchaser for 30 days from the date of purchase, verified by the sales receipt, against defects in material and workmanship. Product that has been mishandled, abused, used incorrectly, used for an application other than intended or damaged by the user is not covered under warranty. Associated Electrics Inc. is not liable for any loss or damage, whether direct or indirect, incidental or consequential, or from any special situation, arising from the use, misuse, or abuse of this product.

26021 Commercentre Dr., Lake Forest, CA 92630 USA • www.ReedyPower.com