

MST OFF ROAD

1/10 RC 4WD

HIGH PERFORMANCE OFF ROAD CAR

MST
MAX SPEED TECHNOLOGY



ASSEMBLY KIT



INSTRUCTION MANUAL



WHEELBASE : 242 / 252 / 267mm [adjustable]

WIDTH : 195mm

GEAR RATIO = 1:31.7~ 1:46.7

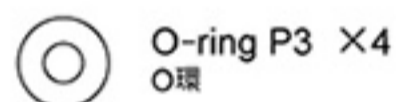
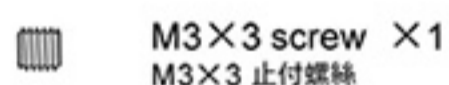
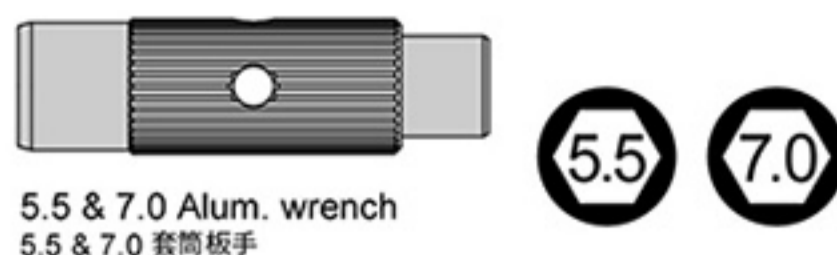
TIRE WIDTH / DIAMETER : 30x90mm

Shaft-Driven Full-Time 4WD

Front and Rear Solid-axle

WWW.RC-MST.COM

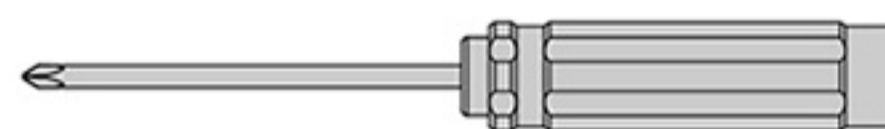
※SPECIFICATION ARE SUBJECT TO CHANGE WITHOUT NOTICE



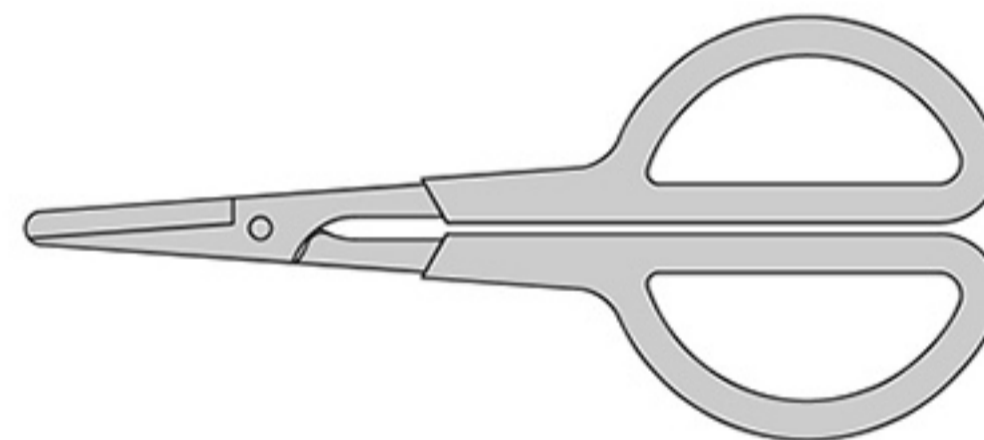
NECESSARY TOOLS FOR ASSEMBLY 工具需求
 (NOT INCLUDED IN KIT) [另購]



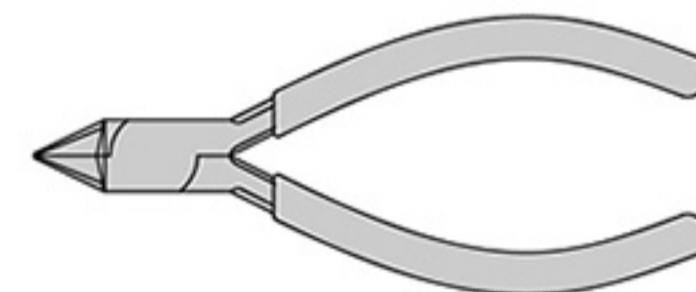
Hobby knife
美工刀



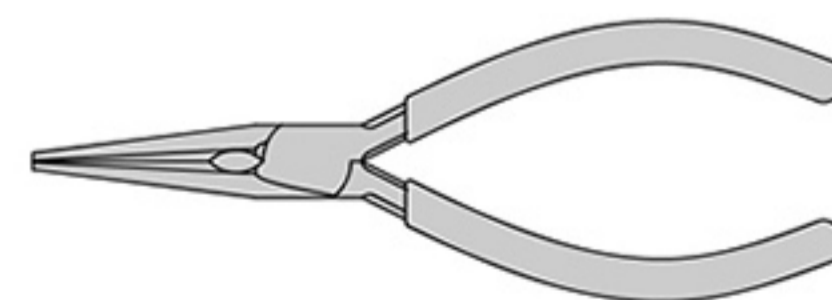
Screwdriver
螺絲起子



Scissors
剪刀






















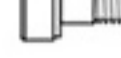
Side cutter
斜口鉗





















Needle nose pliers
尖嘴鉗









Please follow the assembling figures and instructions closely
 for your [CFX] best performance!
 請依照說明書圖示步驟安裝以發揮 [CFX] 最好效能!



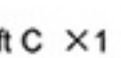
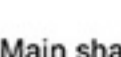

PARTS














-  M2×6 screw ×2
圓頭螺絲
110044
-  M2×10 screw ×6
圓頭螺絲
110084
-  M2×16 screw ×6
圓頭螺絲
110085
-  M2.5×10 screw ×3
圓頭螺絲
110064
-  M2.5×14 screw ×1
圓頭螺絲
110010
-  2.6×10 screw ×1
自攻螺絲
110025
-  M3×5 screw ×1
圓頭螺絲
110049
-  M3×6 screw ×10
圓頭螺絲
110001
-  M3×8 screw ×20
圓頭螺絲
110002
-  M3×10 screw ×15
圓頭螺絲
110026
-  M3×14 screw ×9
圓頭螺絲
110061
-  M3×16 screw ×10
圓頭螺絲
110086
-  M3×18 screw ×16
圓頭螺絲
110087
-  M3×20 screw ×1
圓頭螺絲
110088
-  M3×25 screw ×2
圓頭螺絲
110076
-  M3×30 screw ×2
圓頭螺絲
110089
-  M3×8 screw ×4
沉頭螺絲
110005
-  M3×14 screw ×4
沉頭螺絲
110081
-  M3×6 Cap screw ×2
有頭螺絲
110011
-  M3×40 Cap screw ×2
有頭螺絲
110091

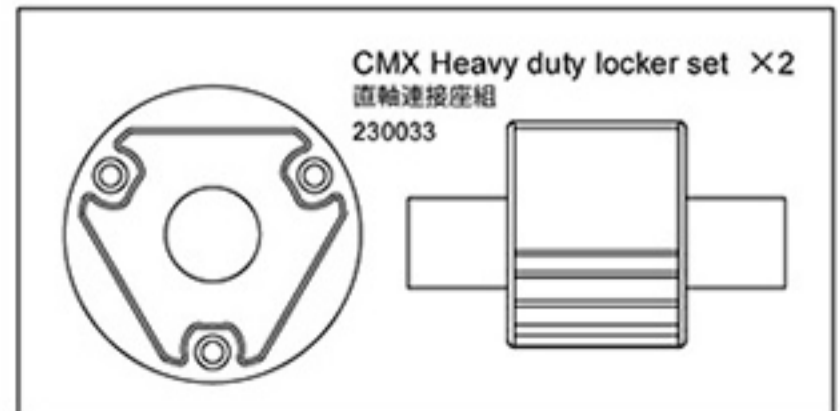
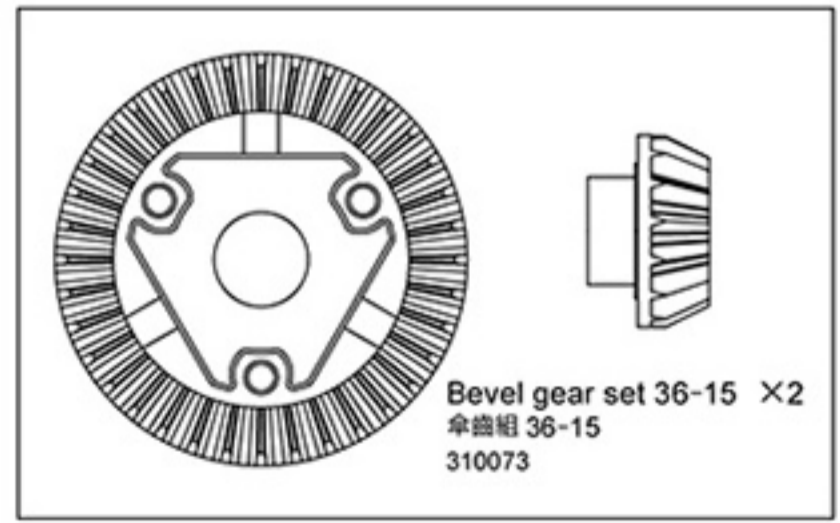
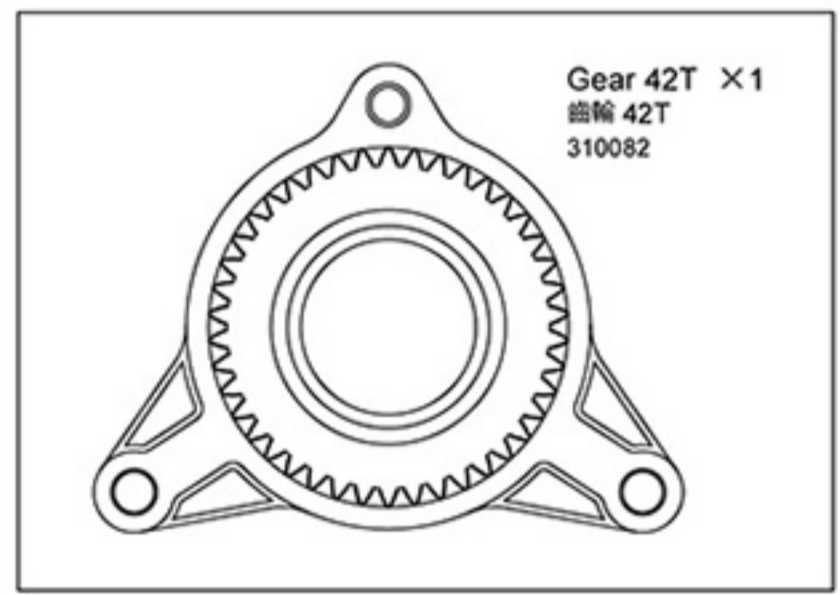
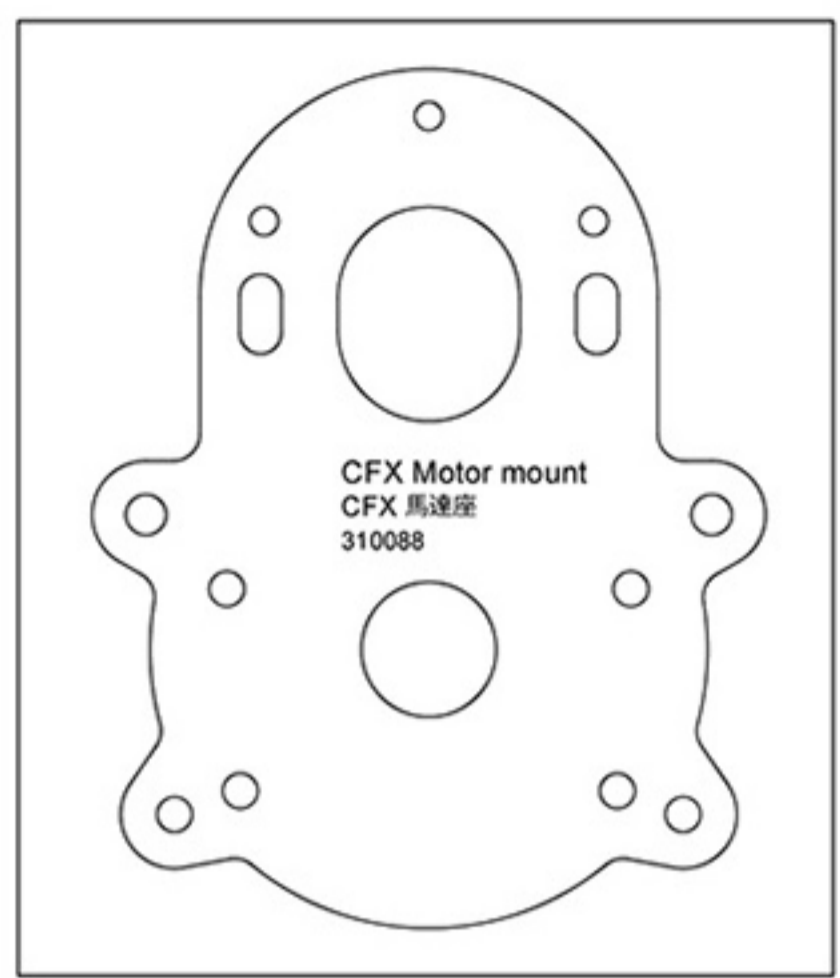
-  King pin screw ×4
大王螺絲
110092
-  Shaft screw ×4
銷釘螺絲
110090
-  M3×3 screw ×3
止付螺絲
110035
-  M3×16 screw ×16
止付螺絲
110023
-  M3×20 screw ×10
止付螺絲
110009
-  2×9.8 Shaft ×13
插銷
110017
-  2×11.8 Shaft ×2
插銷
110019
-  2×13.8 Shaft ×1
插銷
110018
-  3×6×0.5 Spacer ×7
墊片
110047
-  3×8×0.5 Spacer ×3
墊片
110048
-  5×7×0.3 Spacer ×3
墊片
820020
-  4×10×1 Spacer ×1
墊片
310087
-  Slipper spacer ×1
扭限墊片
310087

-  Bevel gear shaft ×2
傘齒軸
310066
-  Gear Shaft B ×1
齒輪軸心 B
310091
-  Gear Shaft A ×1
齒輪軸心 A
310090
-  Gear Shaft C ×1
齒輪軸心 C
310092
-  Main shaft ×1
主齒軸
310087

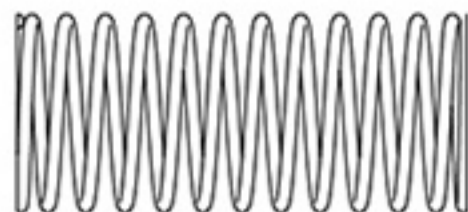
-  Spring ×1
扭限彈簧
310087
-  R-clip ×9
R形扣
110016
-  E-clip 4.0 ×5
E扣
110037
-  G-clip 10.0 ×2
G扣
110055
-  Lock nut M3 ×21
防鬆螺帽
110021
-  Nut M3 ×2
螺帽
110093
-  Lock nut M4 ×5
防鬆螺帽
110096
-  Gear A 14T ×1
齒輪 A 14T
310086

-  Gear A 24T ×1
齒輪 A 24T
310085
-  Gear Shaft B ×1
齒輪軸心 B
310091
-  Gear Shaft A ×1
齒輪軸心 A
310090
-  Gear Shaft C ×1
齒輪軸心 C
310092
-  Main shaft ×1
主齒軸
310087

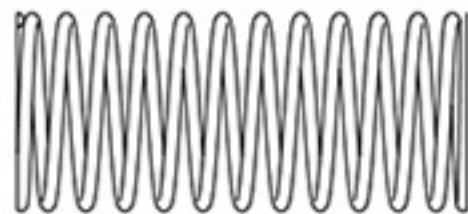
-  5×8×2.5 Bearing ×1
軸承
120017
-  5×10×4 Bearing ×10
軸承
120021
-  8×12×3.5 Bearing ×2
軸承
120022
-  10×15×4 Bearing ×4
軸承
120023
-  5×8×2.5 Ball bearing ×1
培林
120003
-  5×10×4 Ball bearing ×7
培林
120002
-  4×10×4 Ball bearing ×1
培林
120018
-  10×15×4 Ball bearing ×1
培林
120001
-  Gear B 14T ×4
齒輪 B 14T
310081
-  Gear B 24T ×1
齒輪 B 24T
310084
-  Gear 32T ×1
齒輪 32T
310083
-  Wheel axle ×2
萬向接杯
310065
-  Solid axle ×1
直軸輪軸
310071



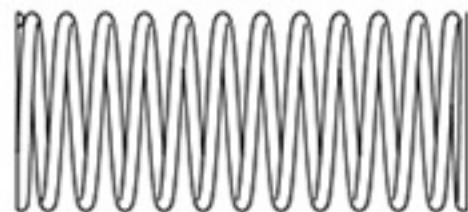
PARTS



Coil spring 45mm (hard)(silver) ×4
避震彈簧 45mm (硬)(銀)
210529



Coil spring 45mm (medium)(gold) ×4
避震彈簧 45mm (中)(金)
210530



Coil spring 45mm (soft)(red) ×4
避震彈簧 45mm (軟)(紅)
210531



Piston rod ×4
避震軸心
310072



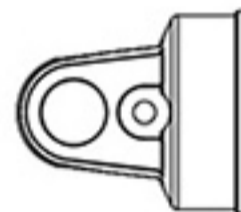
E-clip ×10
E扣
110013



Damper cylinder ×4
避震筒身
230015



Piston ×4
活塞
230015



Cylinder cap ×4
避震器上蓋
210057



Spring spacer ×4
彈簧調整扣 1mm
230015



Rod guide cap ×4
避震器下蓋
210057



Spring spacer ×4
彈簧調整扣 2mm
230015



Damper retainer ×4
避震器彈簧座
230015



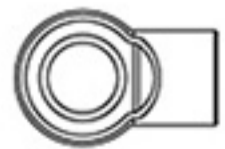
Spring spacer ×4
彈簧調整扣 4mm
230015



Spring holder ×4
彈簧托環
230015



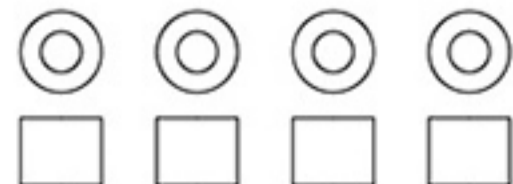
Damper adjuster ×4
避震器拉桿
230015



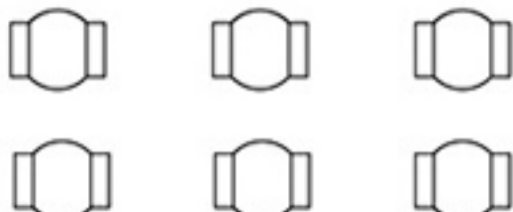
10.8×0.9 O-ring ×4
O環
130032



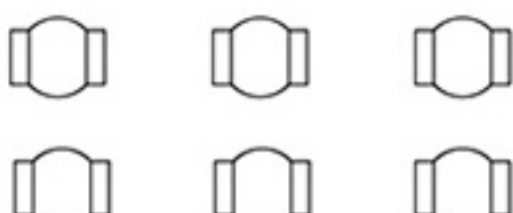
Damper O-ring P3 ×8
避震器O環
130001



CMX Ball connector set ×2
CMX 球頭組
230016



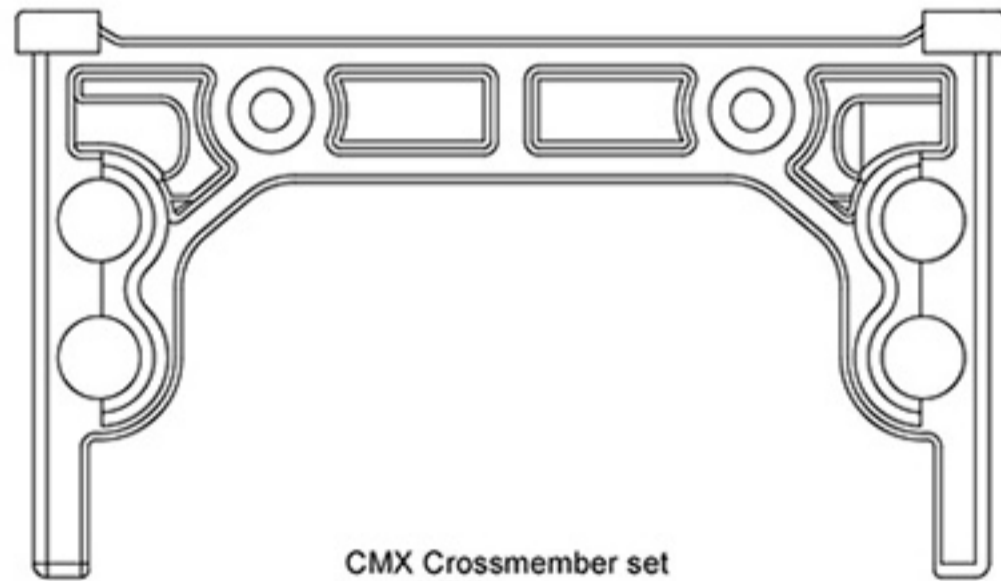
CMX Driveshaft ×2
CMX 傳動軸
230018



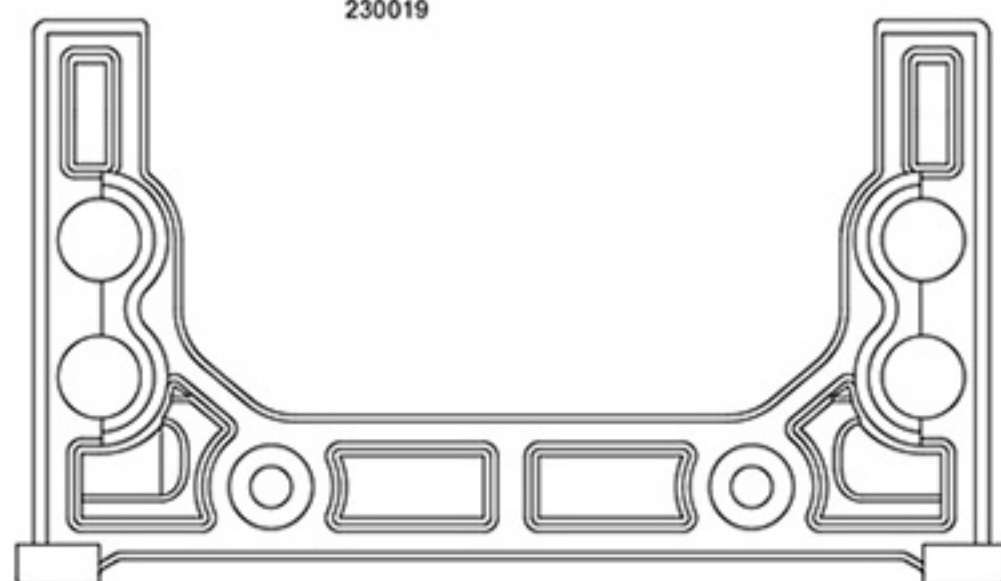
CMX Link set ×2
CMX 拉桿組
230017

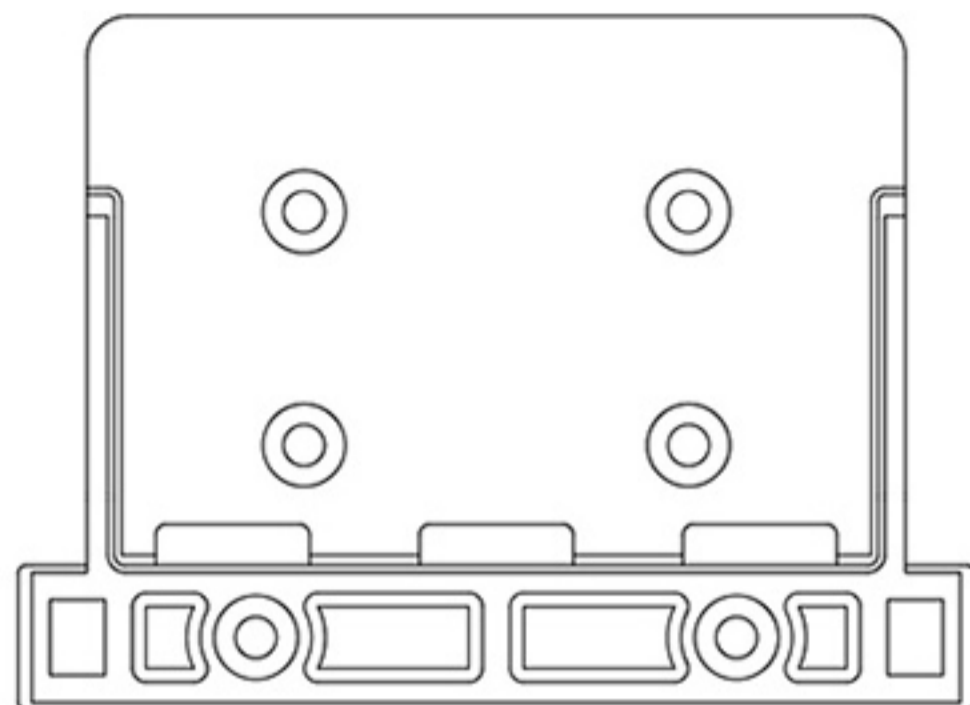


CMX Crossmember set
CMX 橫樑組
230019

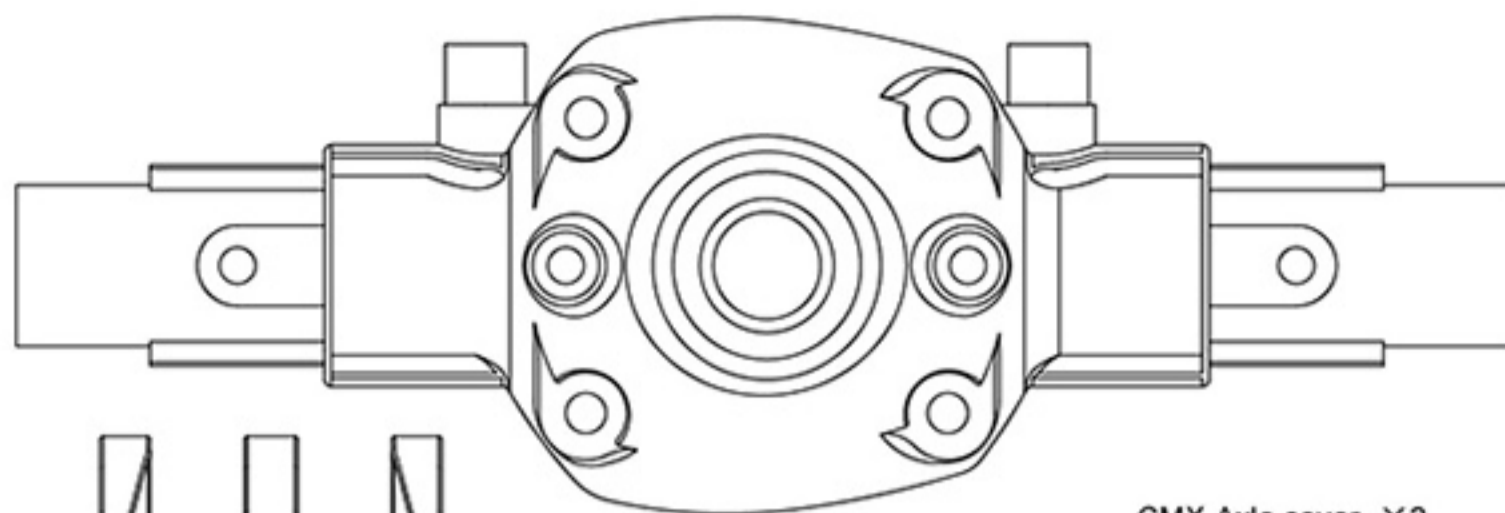


CMX Gear box chassis set
CMX 減速箱底盤組
230020

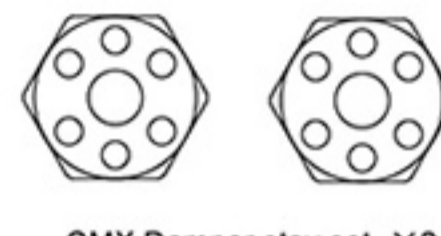
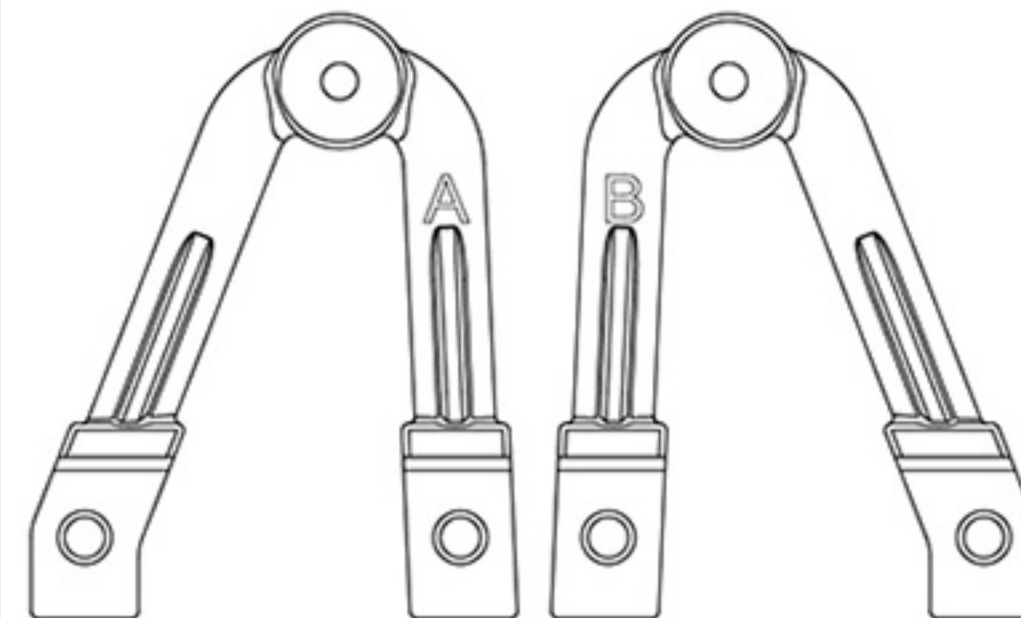
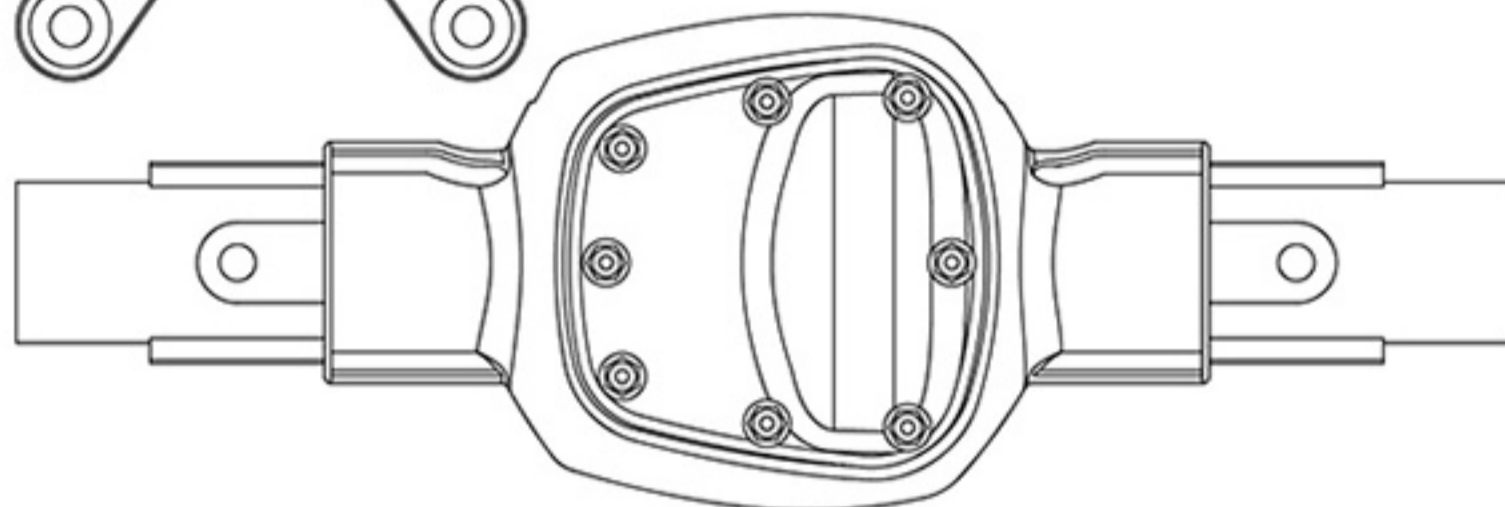
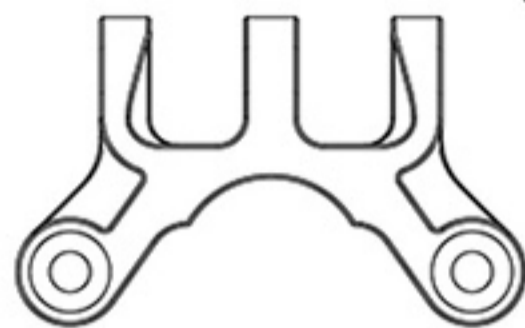




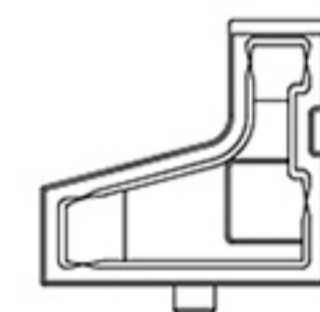
CMX Receiver case set
CMX 接收機盒組
230021



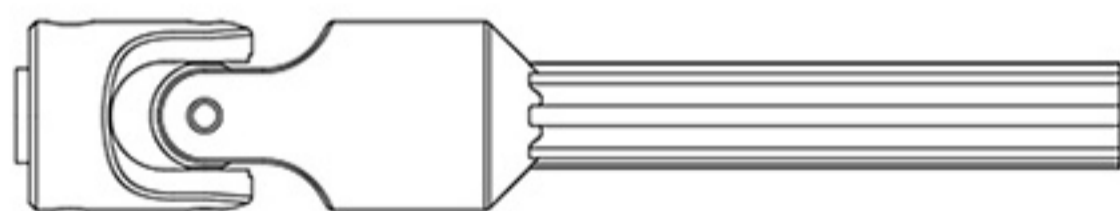
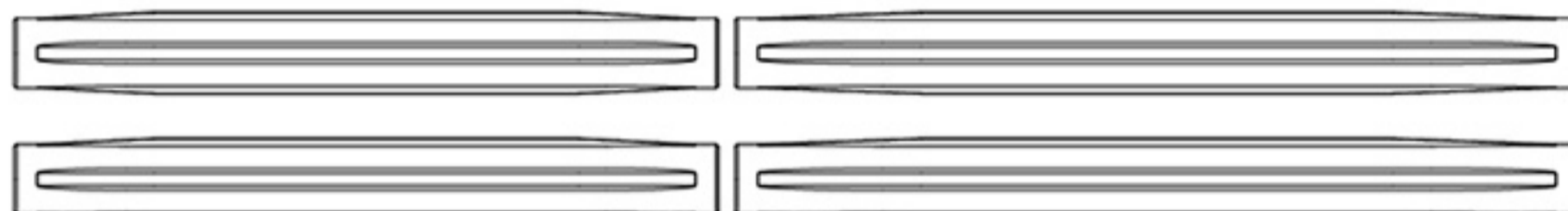
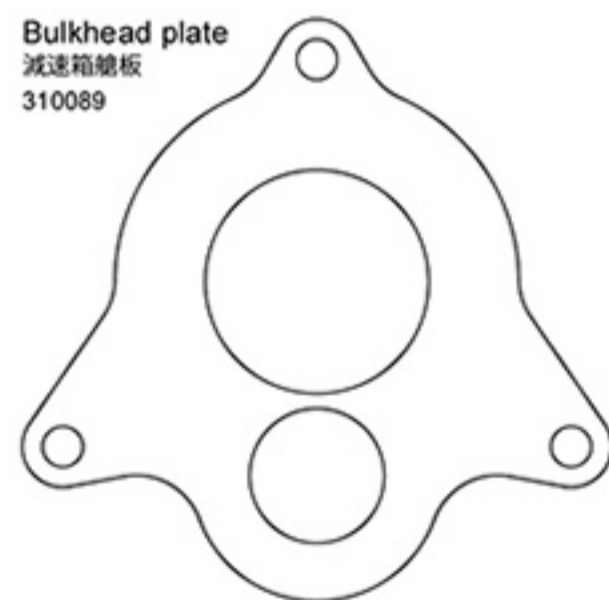
CMX Axle cover ×2
CMX 車軸殼
230022



CMX Damper stay set ×2
CMX 避震架組
230023

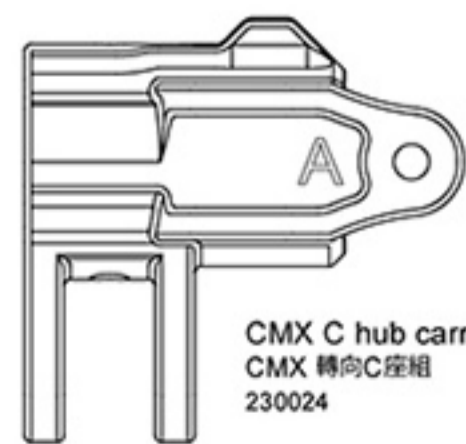
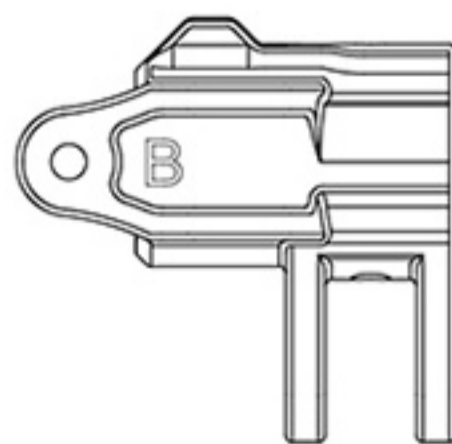
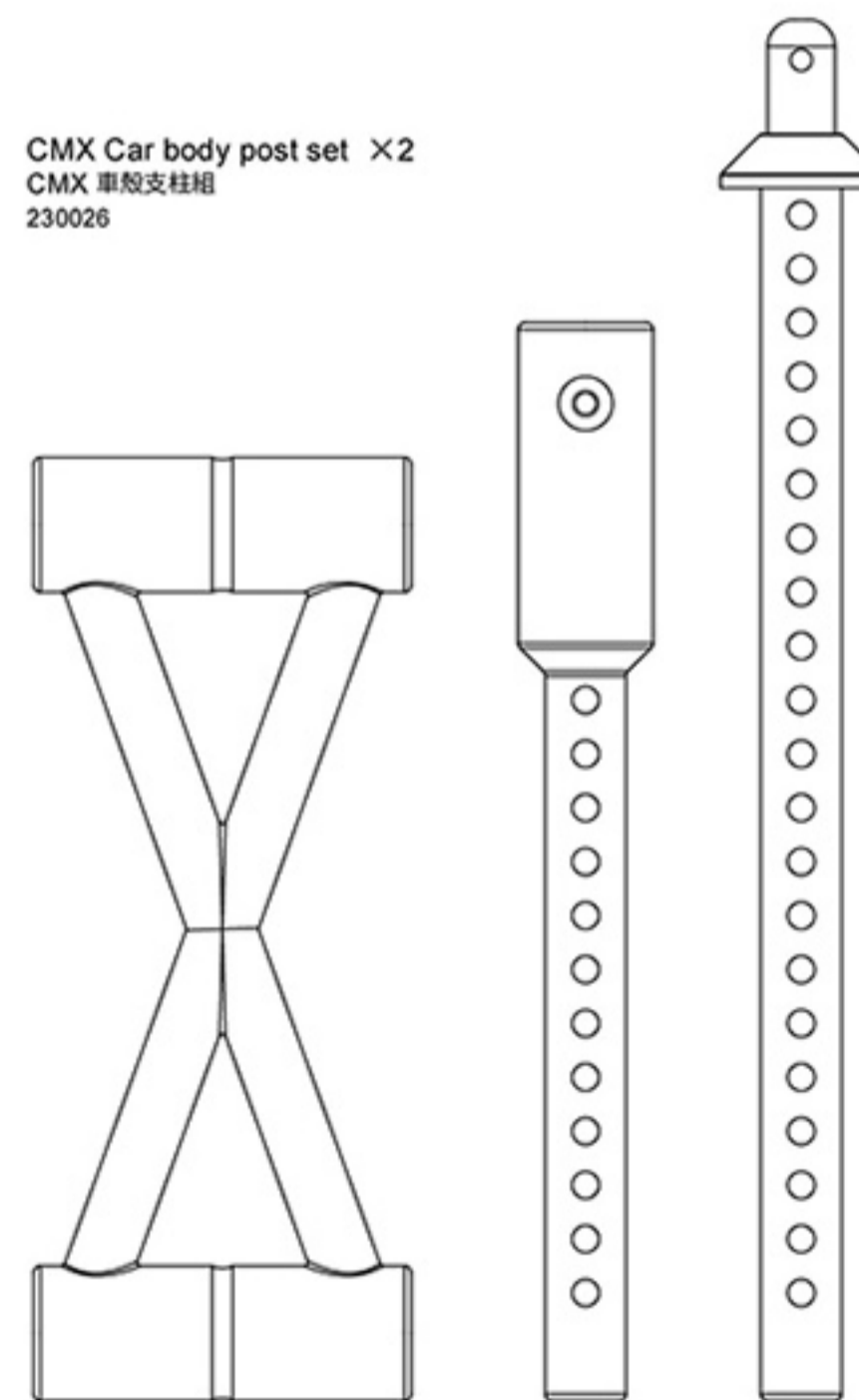


Bulkhead plate
減速箱殼板
310089

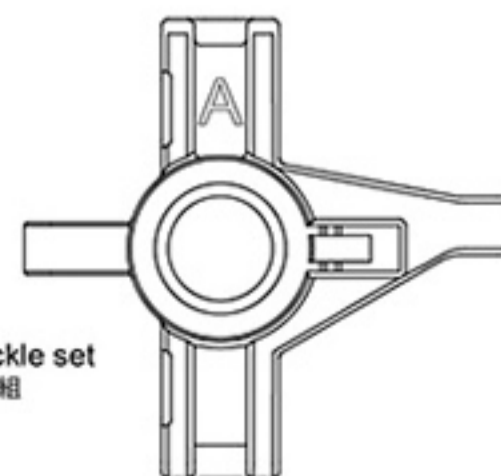
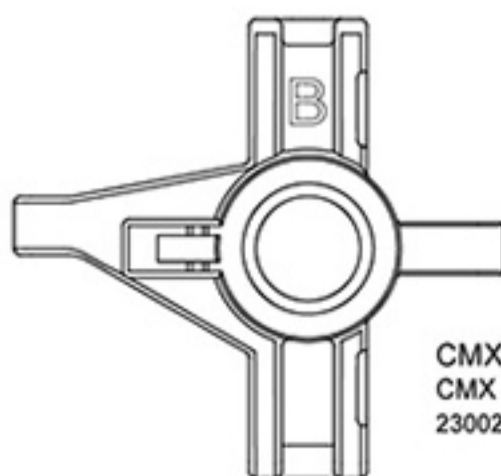


CMX Wheelbase 267mm accessories
CMX 軸距267mm配件
230039

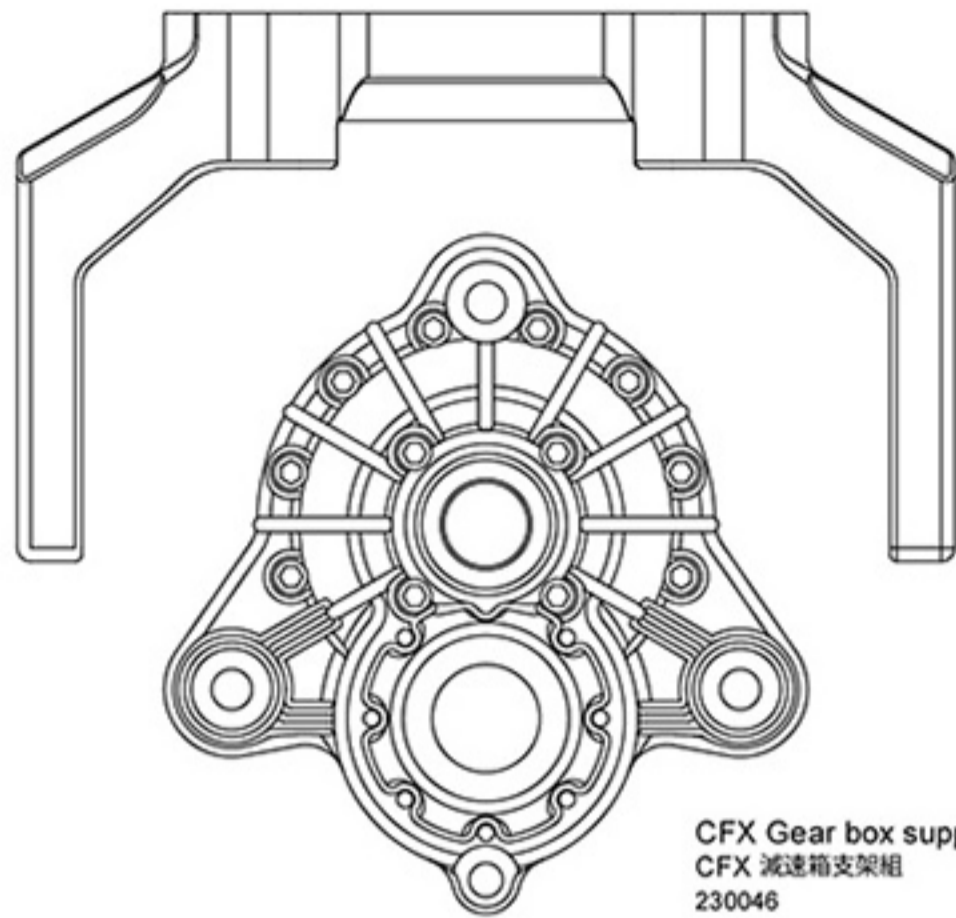
CMX Car body post set ×2
CMX 車殼支柱組
230026



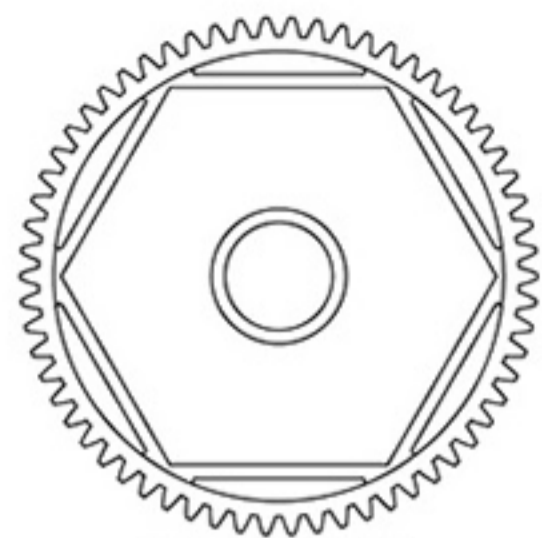
CMX C hub carrier set
CMX 轉向C座組
230024



CMX Knuckle set
CMX 轉向座組
230025



CFX Gear box support
CFX 減速箱支架組
230046



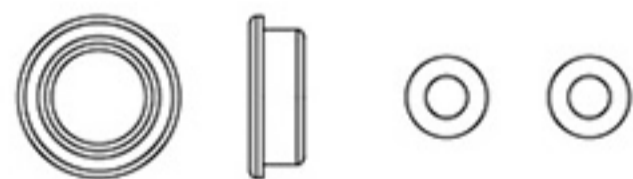
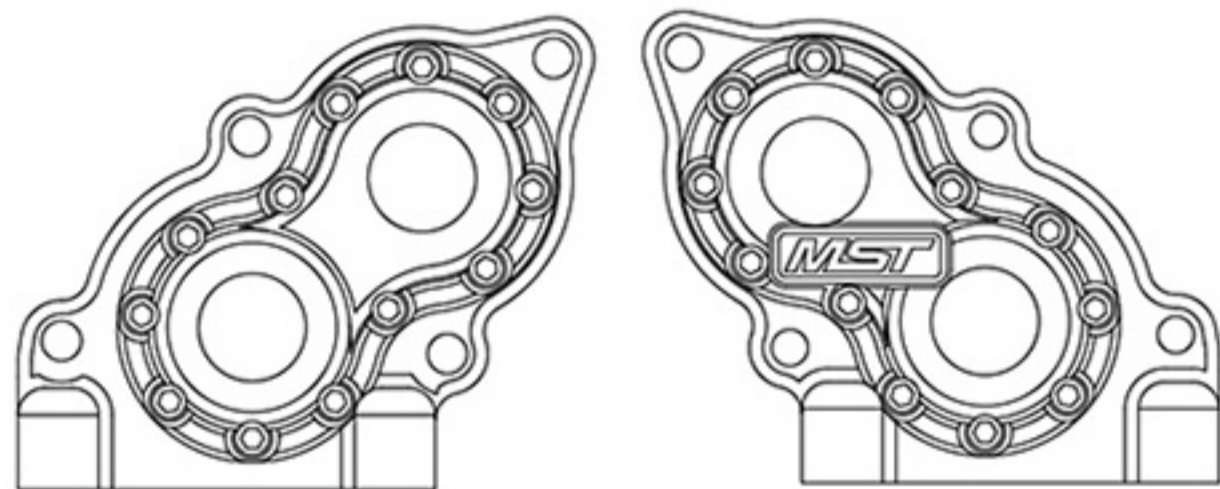
M06 Spur gear 62T
M06 大齒盤 62T
230044



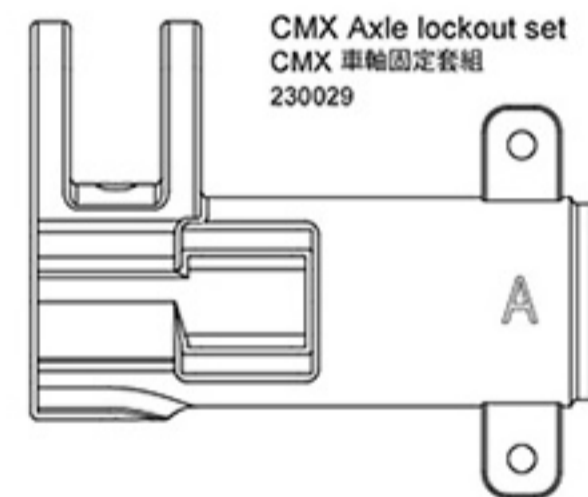
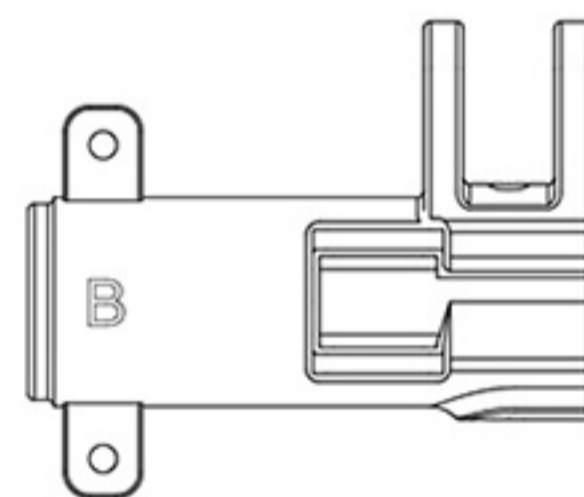
KM Crawler tire 30×90-1.9" ×4
KM 攀岩胎 30×90-1.9"
101034



CFX Deceleration gear box set
CFX 減速箱組
230045



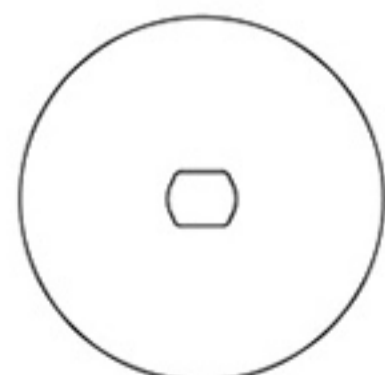
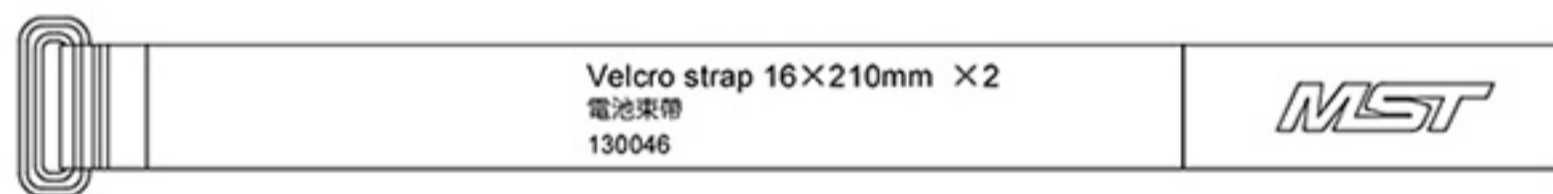
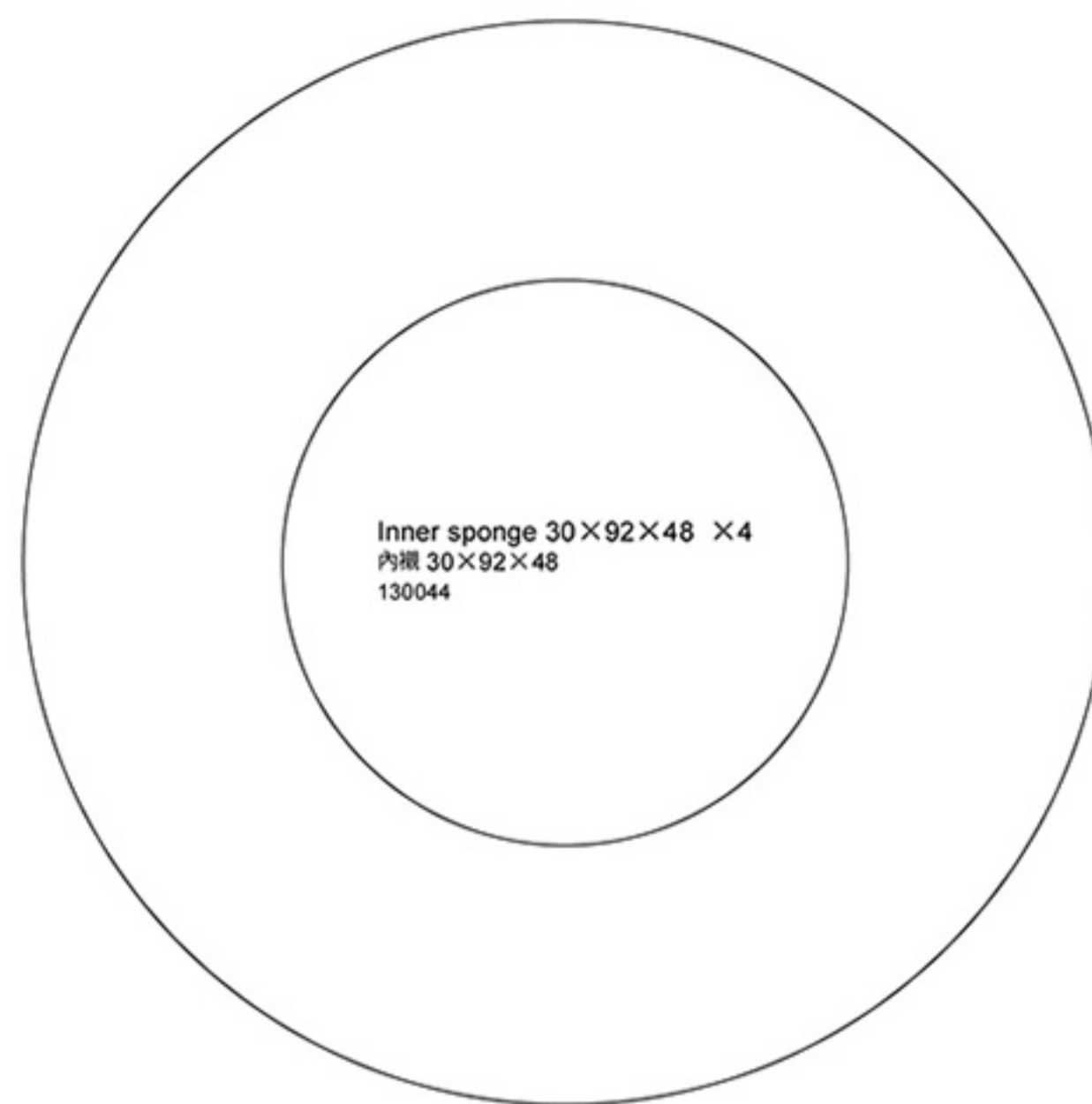
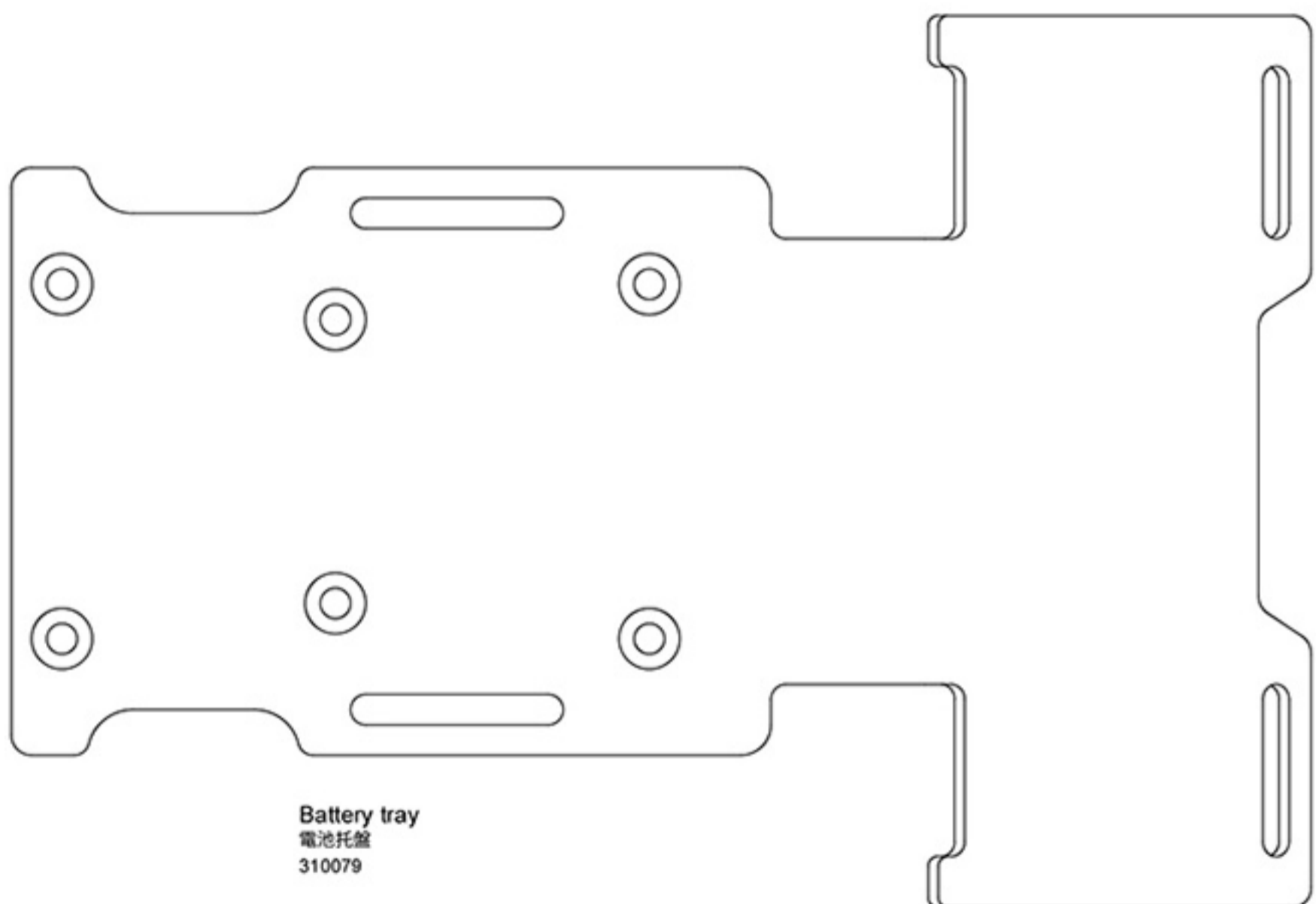
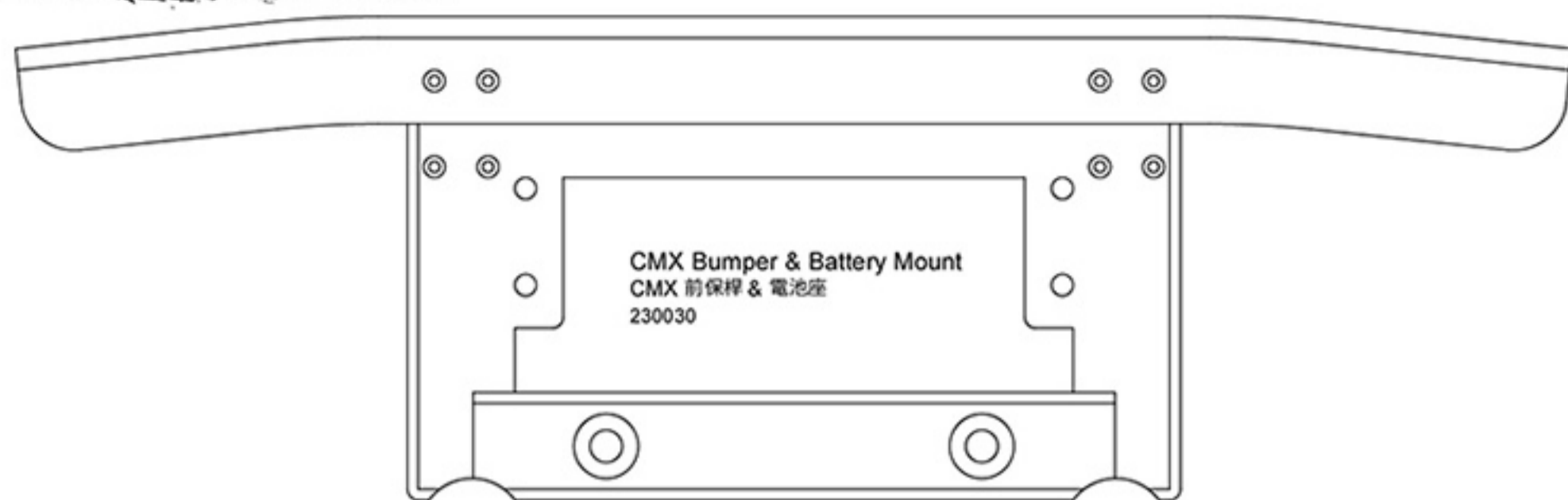
CFX Transfer case set
CFX 分動箱組
230047



CMX Axle lockout set
CMX 車輪固定套組
230029



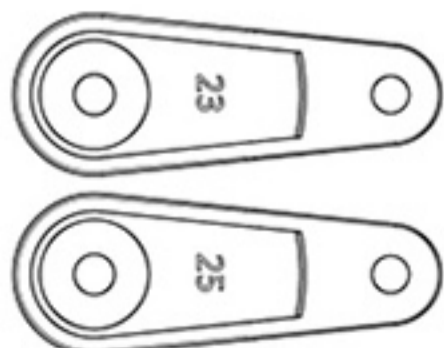
CMX Chassis rail ×2
CMX 大樑
310075



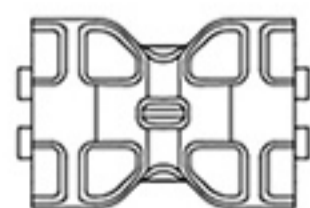
Slipper Plate
扭限壓盤
310080



Slipper Pad
扭限摩擦片
130045

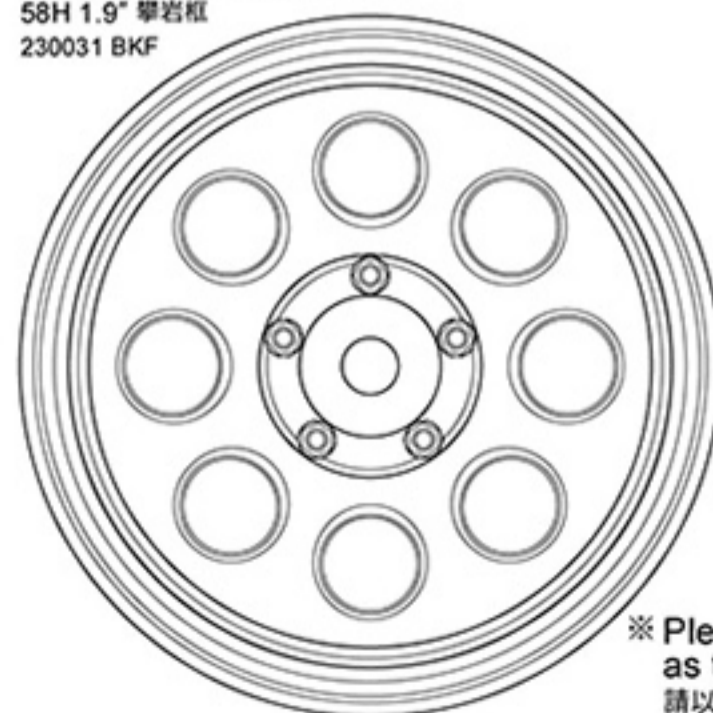


Servo horn set (long) (23T/25T)
伺服機舵片組-長 (23T/25T)
210033

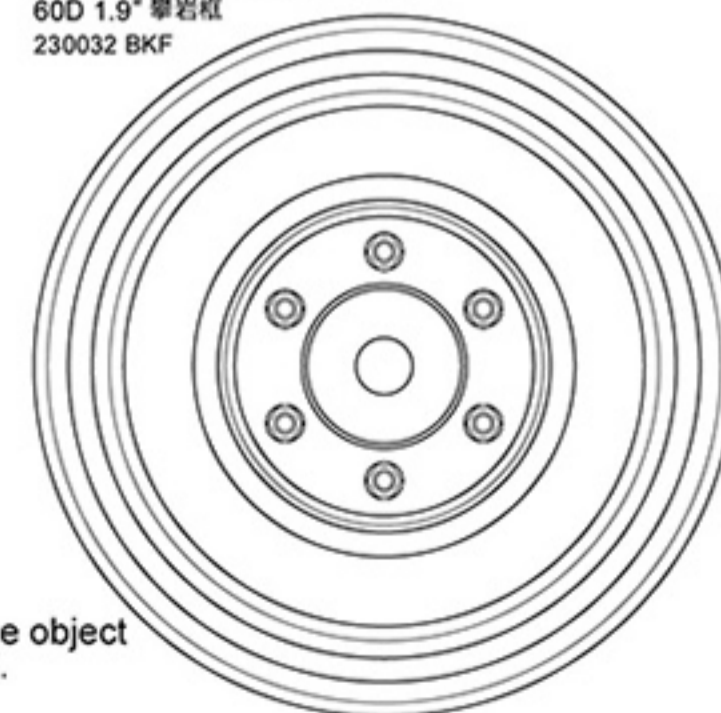


CFX Driveshaft set
CFX 驅動軸組
230048

58H 1.9" Crawler wheel ×4
58H 1.9" 攀岩框
230031 BKF



60D 1.9" Crawler wheel ×4
60D 1.9" 攀岩框
230032 BKF



※ Please make the object
as the standard.
請以實物為主。

TRANSMISSION

減速箱

M2.5×10 screw ×3
圓頭螺絲

M2.5×14 screw ×1
圓頭螺絲

M3×10 screw ×6
圓頭螺絲

M3×16 screw ×1
圓頭螺絲

M3×6 cap screw ×2
有頭螺絲

M3×40 cap screw ×2
有頭螺絲

M3×40 cap screw ×2
有頭螺絲

5×8×2.5 Bearing ×1
軸承

5×8×2.5 Ball bearing ×1
培林

4×10×4 Ball bearing ×1
培林

5×10×4 Ball bearing ×3
培林

10×15×4 Ball bearing ×1
培林

2×9.8 Shaft ×2
插銷

Gear shaft A ×1
齒輪軸心 A

Main shaft ×1
主齒軸

3×6×0.5 Spacer ×2
墊片

5×7×0.3 Spacer ×1
墊片

4×10×1 Spacer ×1
墊片

Slipper spacer ×1
扭限墊片

E-clip 4.0 ×1
E扣

Bearing holder ×1
軸承套

Lock nut M4 ×1
防鬆螺帽

Spring ×1
扭限彈簧

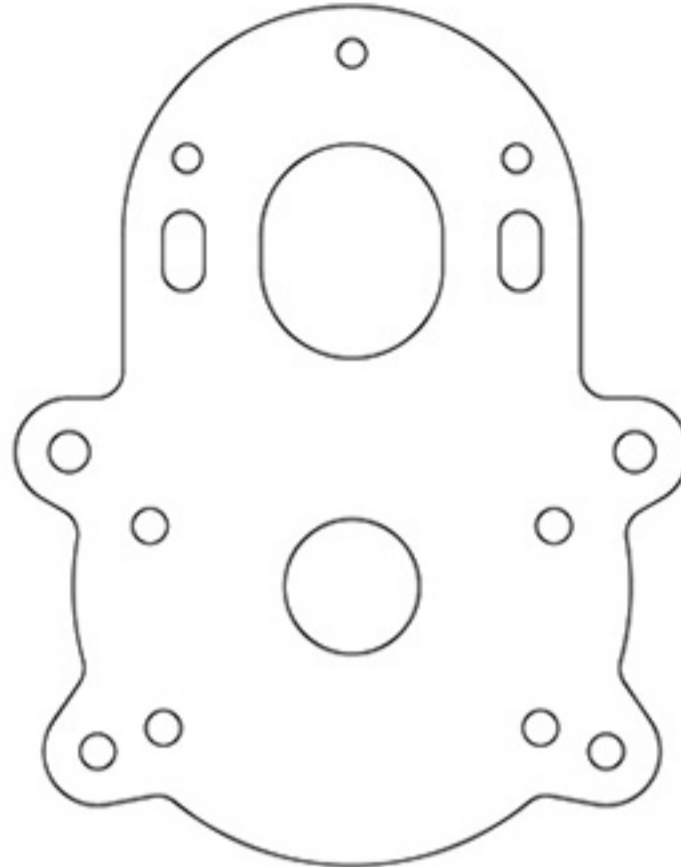
Gear B 14T ×4
齒輪 B 14T

Gear B 24T ×1
齒輪 B 24T

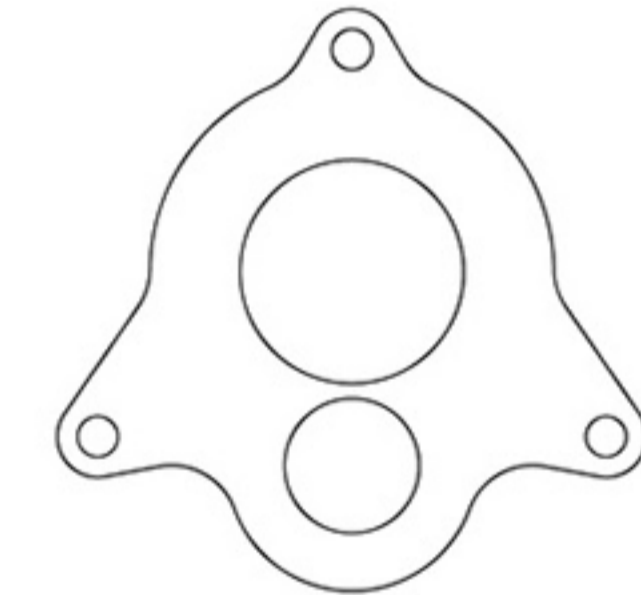
Gear A 14T ×1
齒輪 A 14T

Gear A 24T ×1
齒輪 A 24T

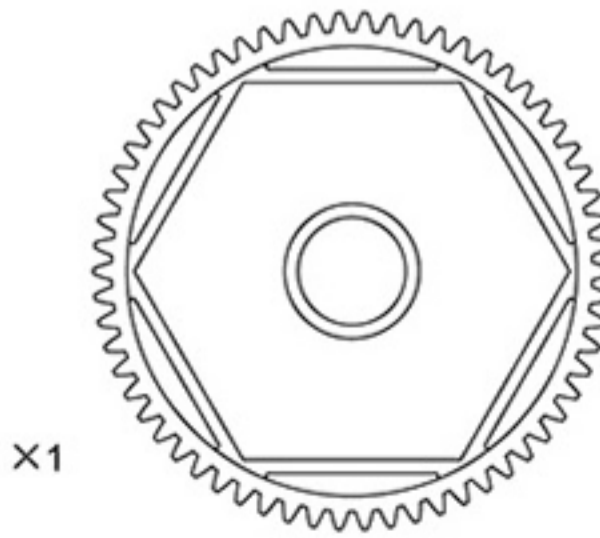
Gear A 24T ×1
齒輪 A 24T



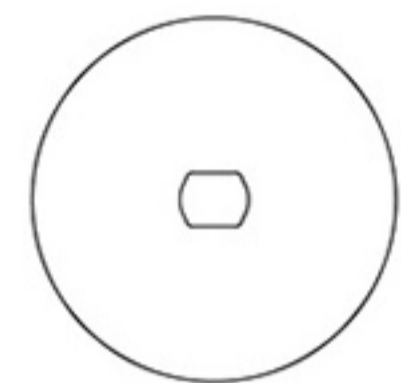
Motor mount ×1
馬達座



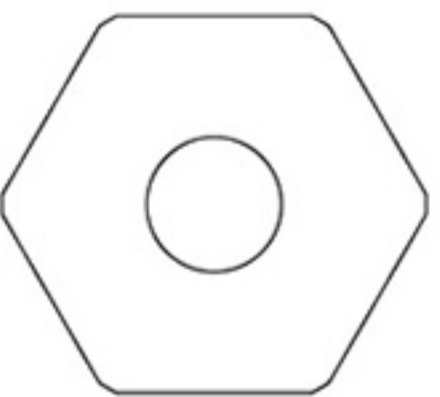
Bulkhead plate ×1
減速箱膾板



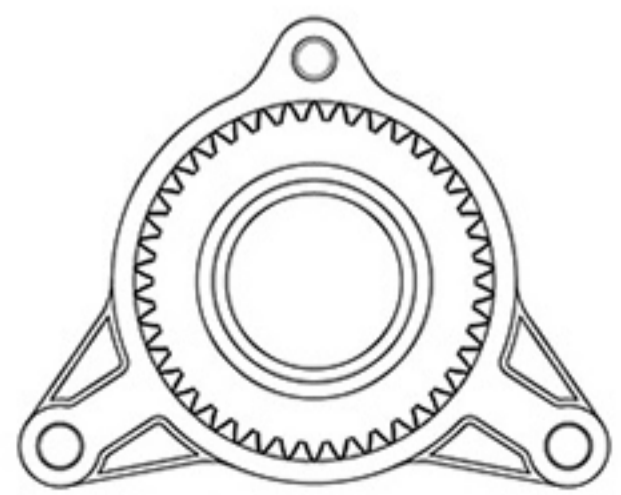
M06 Spur gear 62T ×1
M06 大齒盤 62T



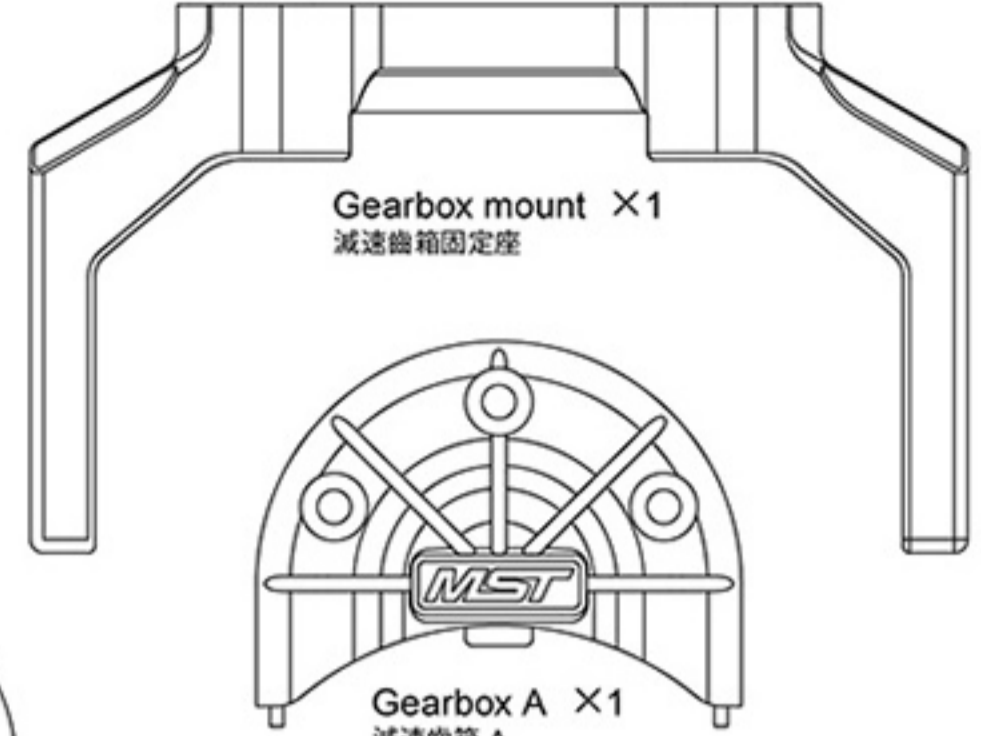
Slipper plate ×2
扭限壓盤



Slipper pad ×2
扭限摩擦片

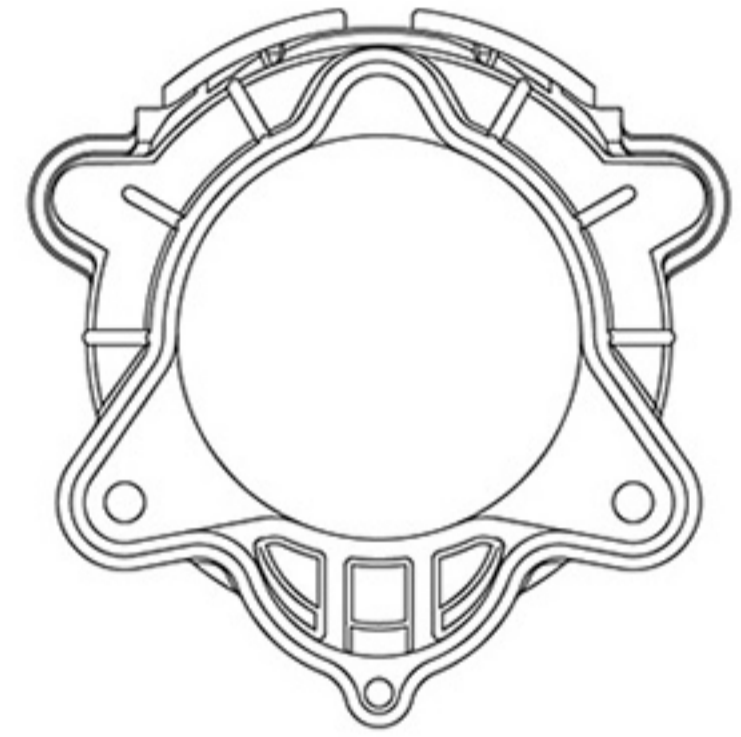


Gear 42T ×1
齒輪 42T

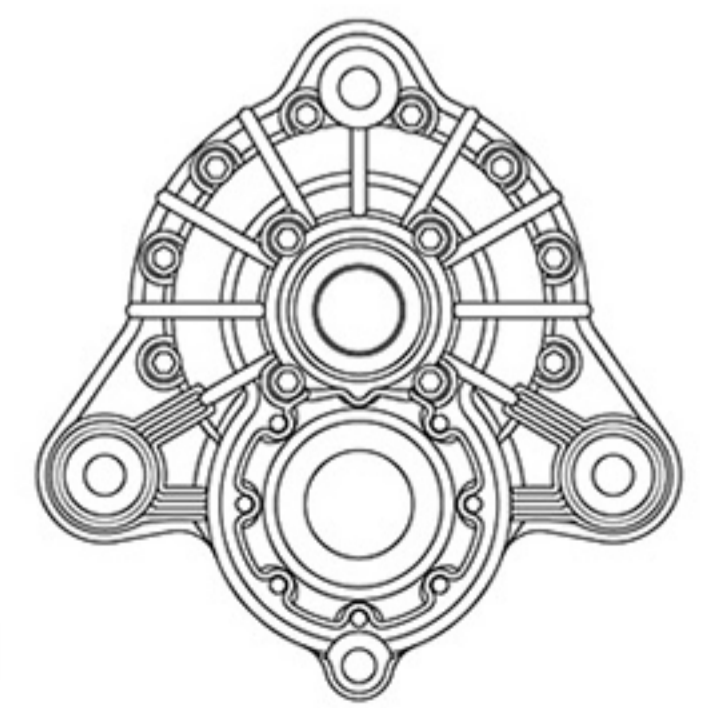


Gearbox mount ×1
減速齒箱固定座

Gearbox A ×1
減速齒箱 A

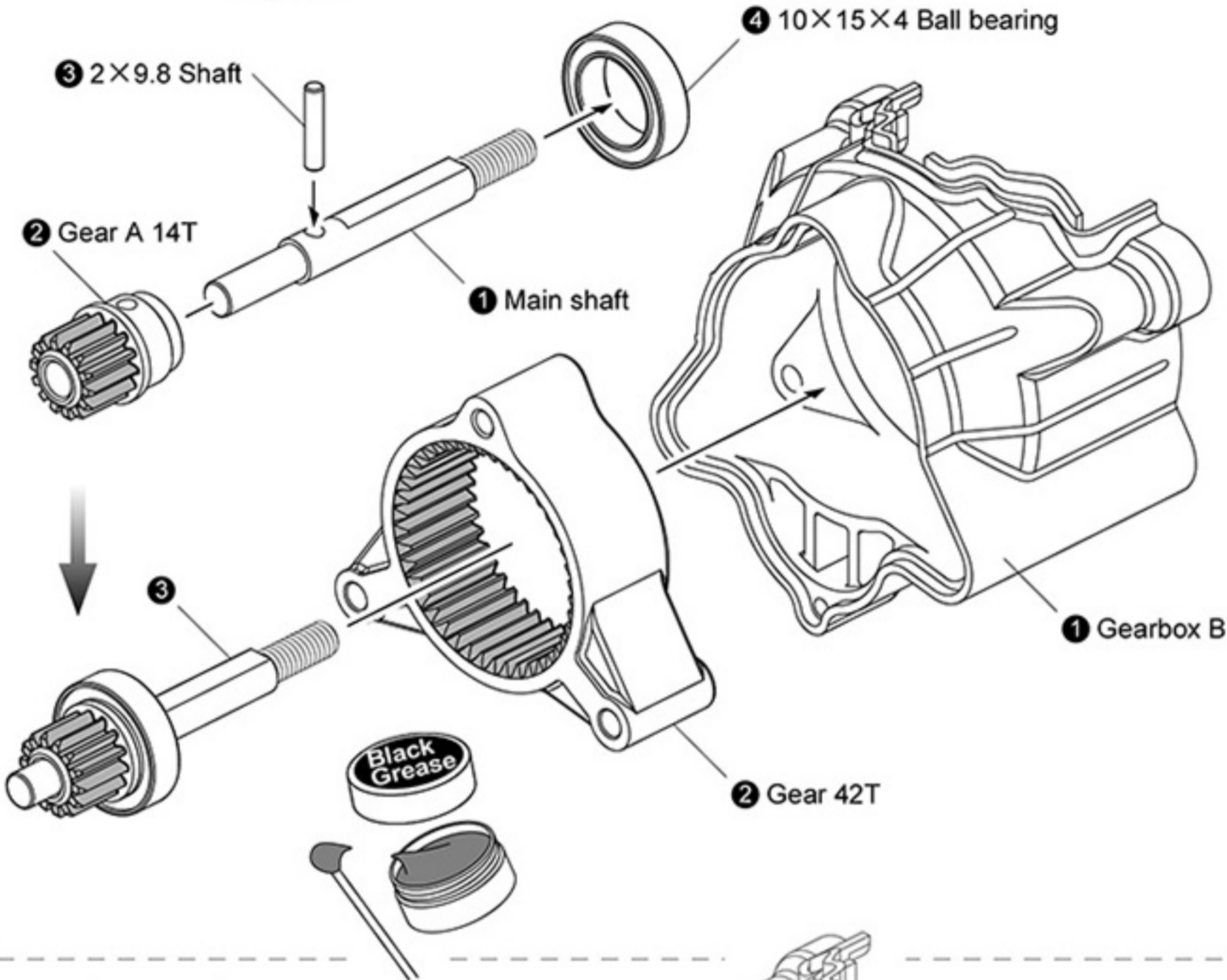


Gearbox B ×1
減速齒箱 B

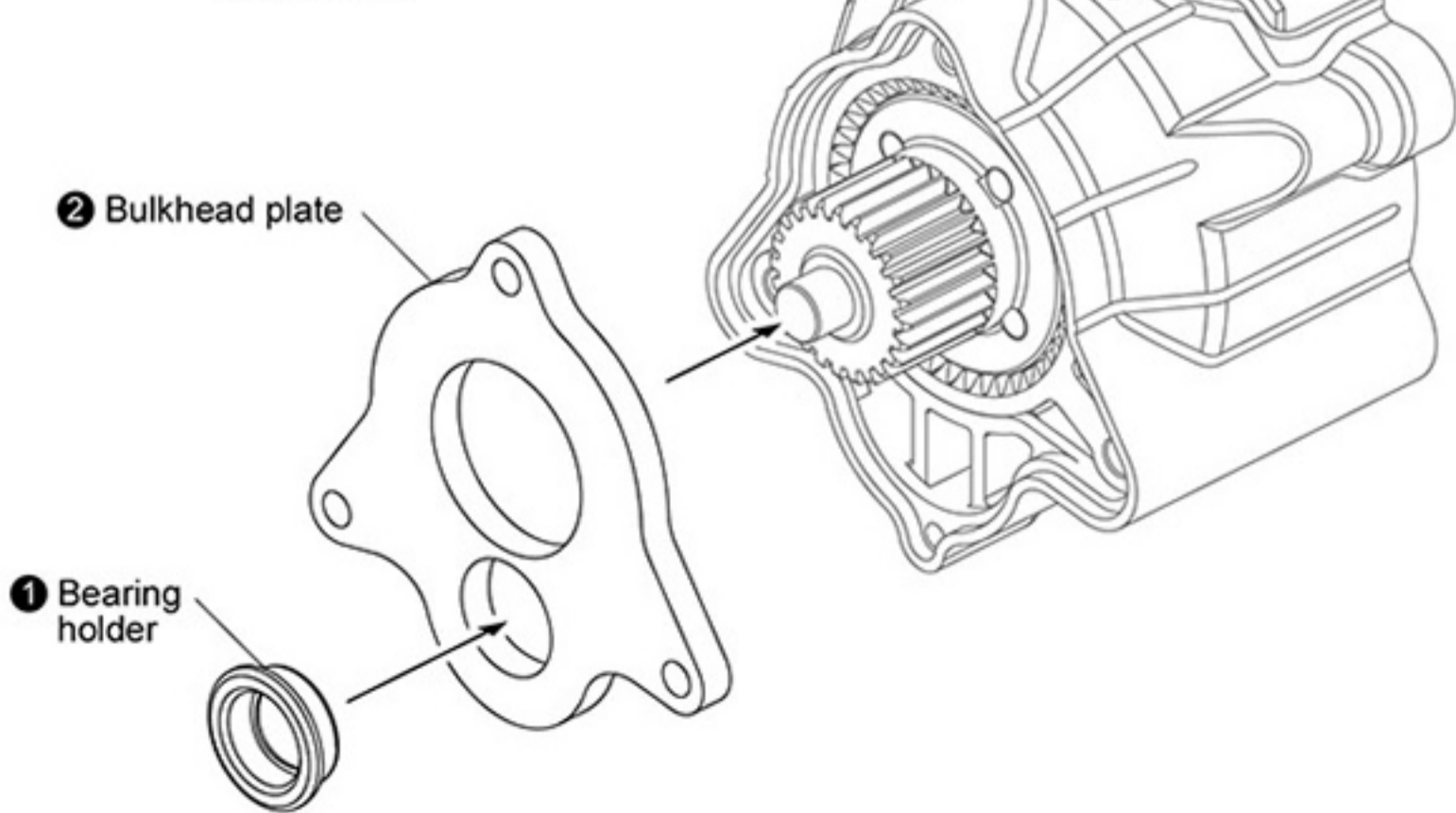


Gearbox C ×1
減速齒箱 C

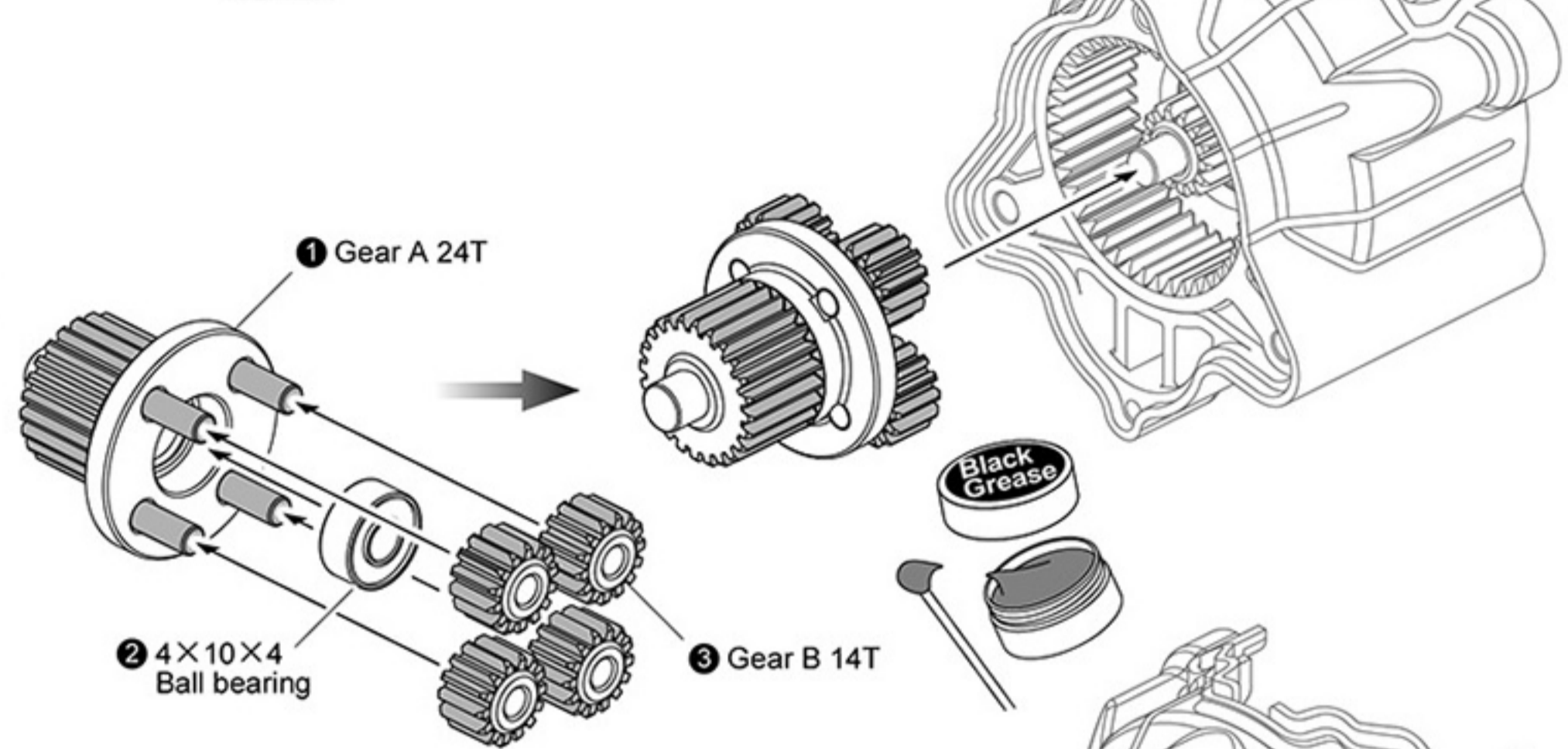
STEP 1 Deceleration gear assembly
減速齒組裝



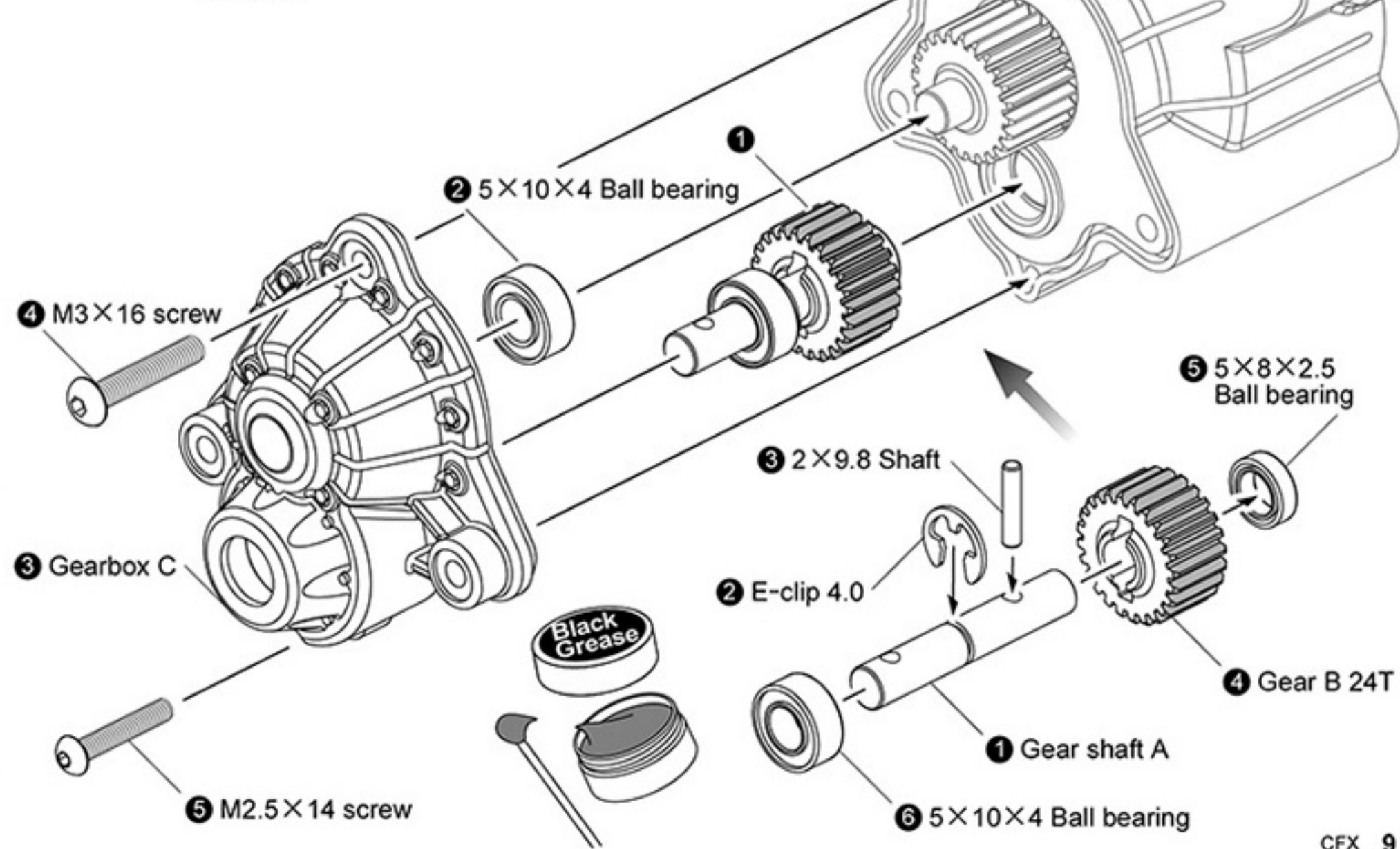
STEP 3 Attaching bulkhead plate
安裝減速箱艙板



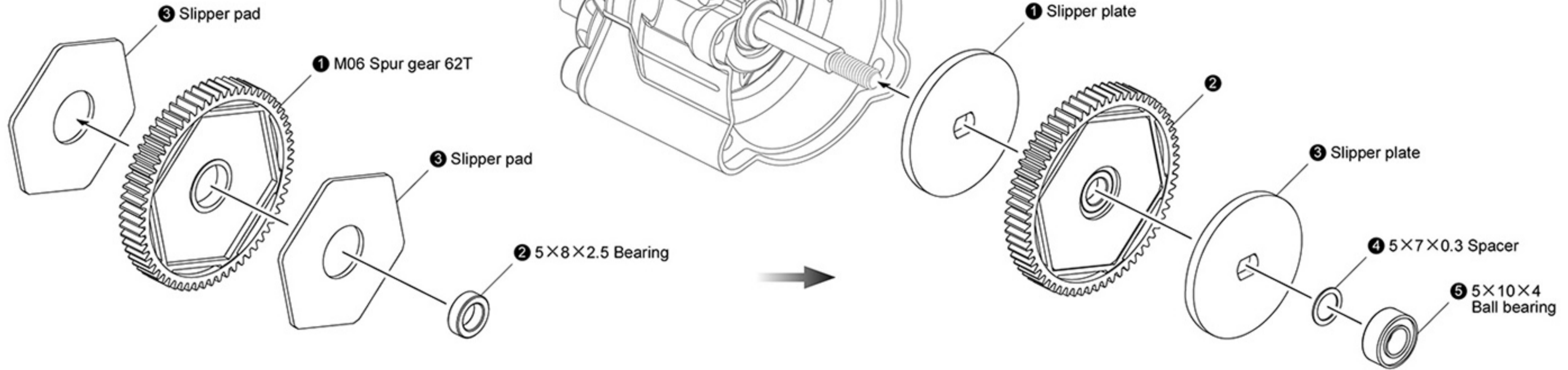
STEP 2 Deceleration gear assembly
減速齒組裝



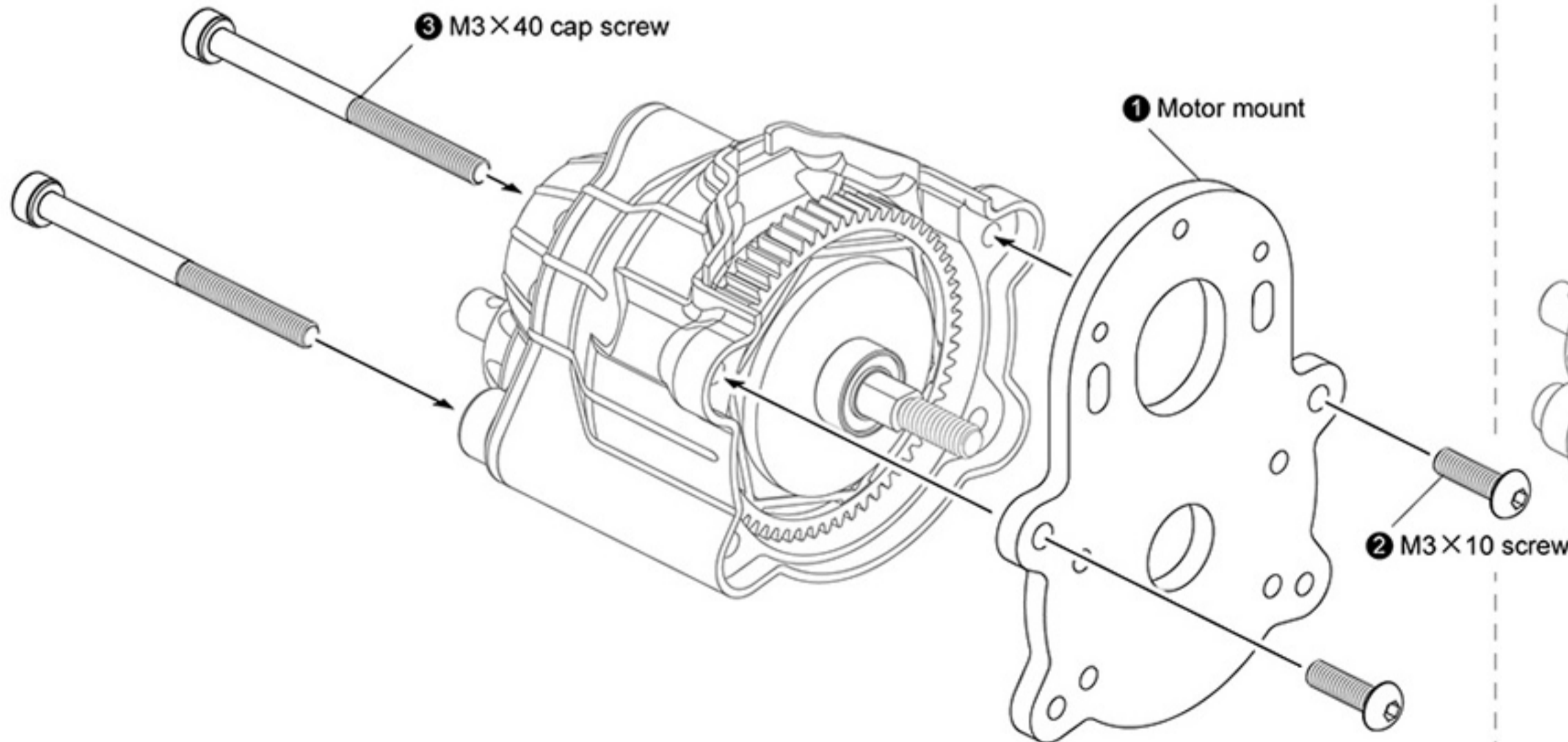
STEP 4 Deceleration gear assembly
減速齒組裝



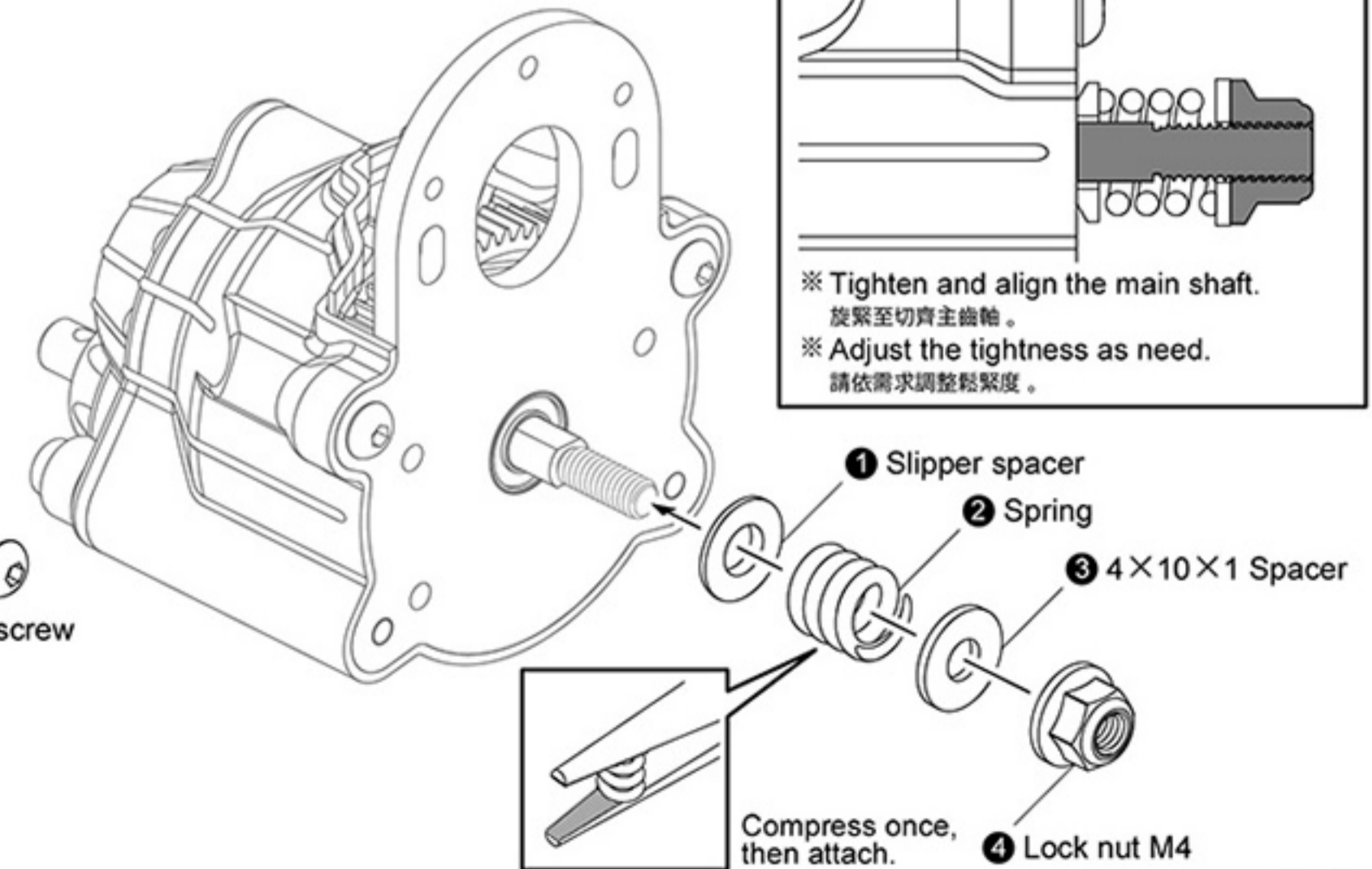
STEP 5 Attaching spur gear
安裝大齒盤



STEP 6 Attaching motor mount
安裝馬達座



STEP 7 Attaching spring
安裝扭限彈簧

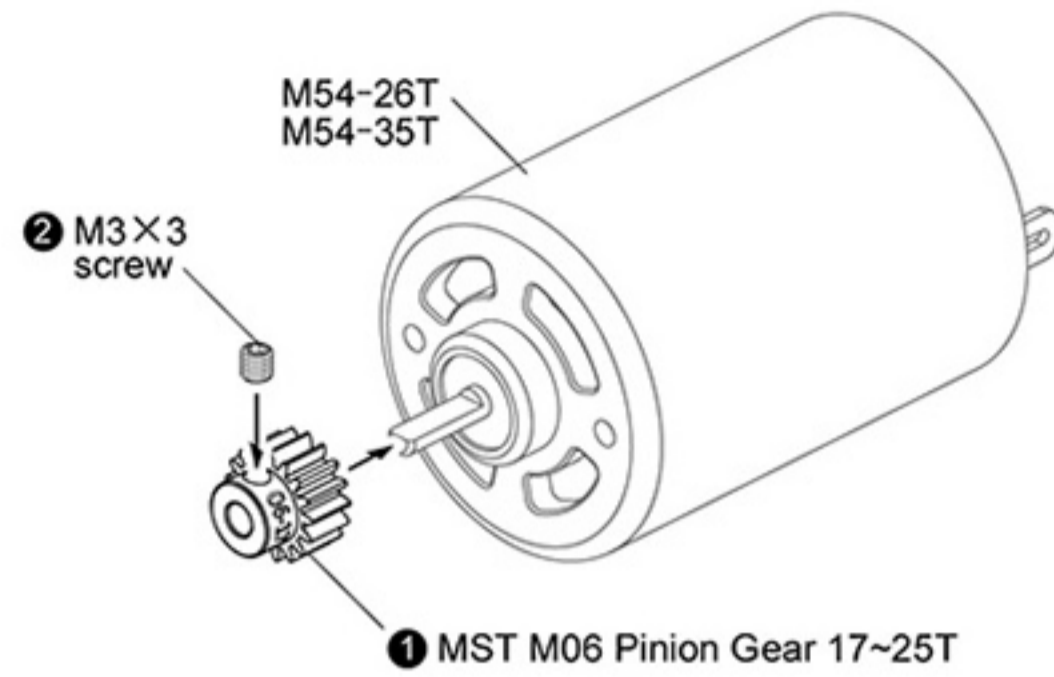


⚠ Please note the overtightening slipper clutch may cause the drivetrain broken.
請注意如過度旋緊，將會使得動件毀損。

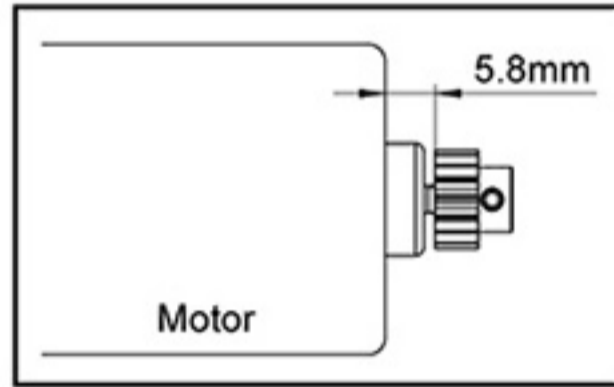
※ Tighten and align the main shaft.
旋緊至切齊主齒輪。
※ Adjust the tightness as need.
請依需求調整鬆緊度。

Compress once, then attach.

STEP 8 Attaching pinion gear
安裝馬達齒



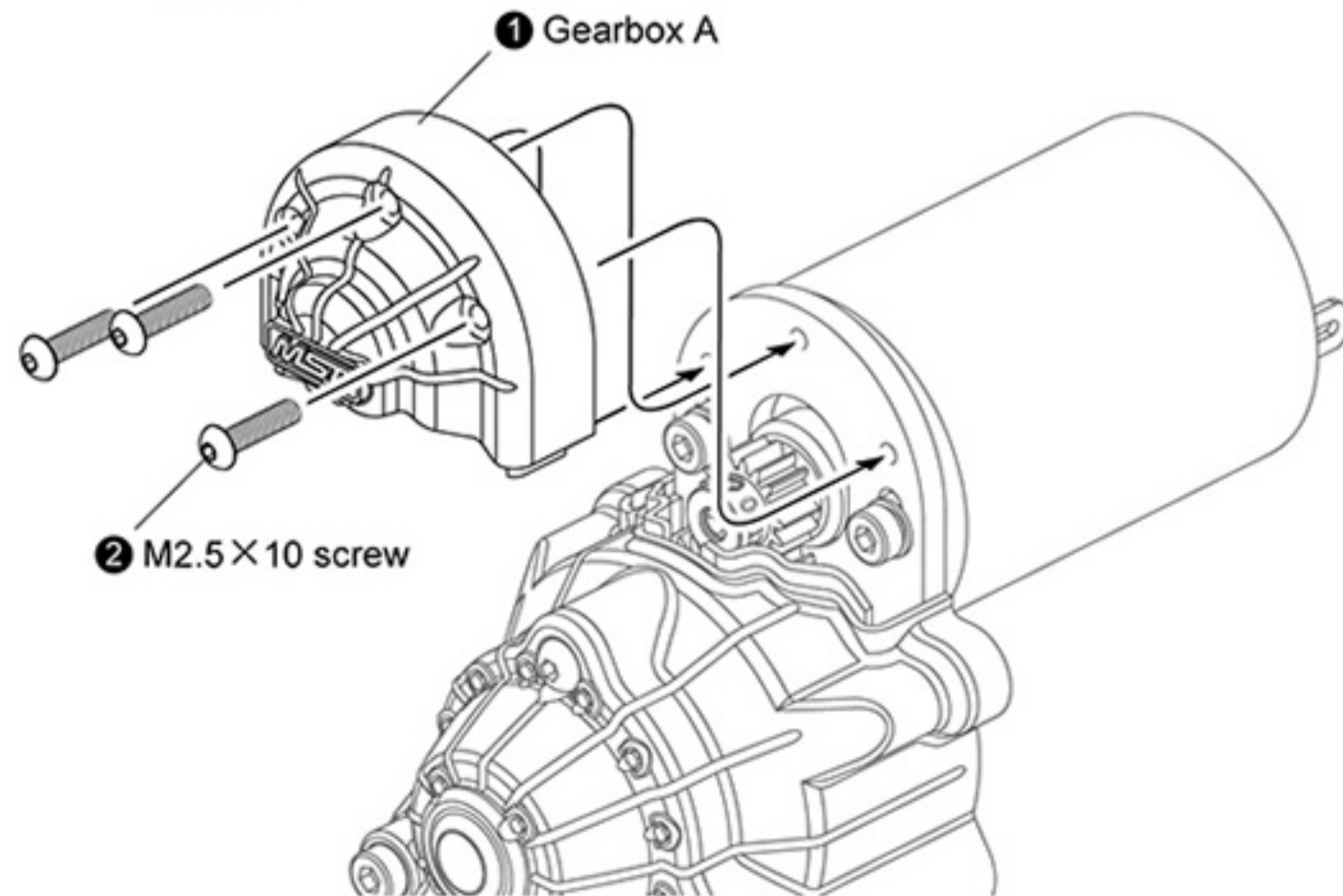
GEAR RATIO	
Pinion Gear	Spur Gear 62T
17	46.68
18	44.09
19	41.77
20	39.69
21	37.79
22	36.07
23	34.50
24	33.06
25	31.74



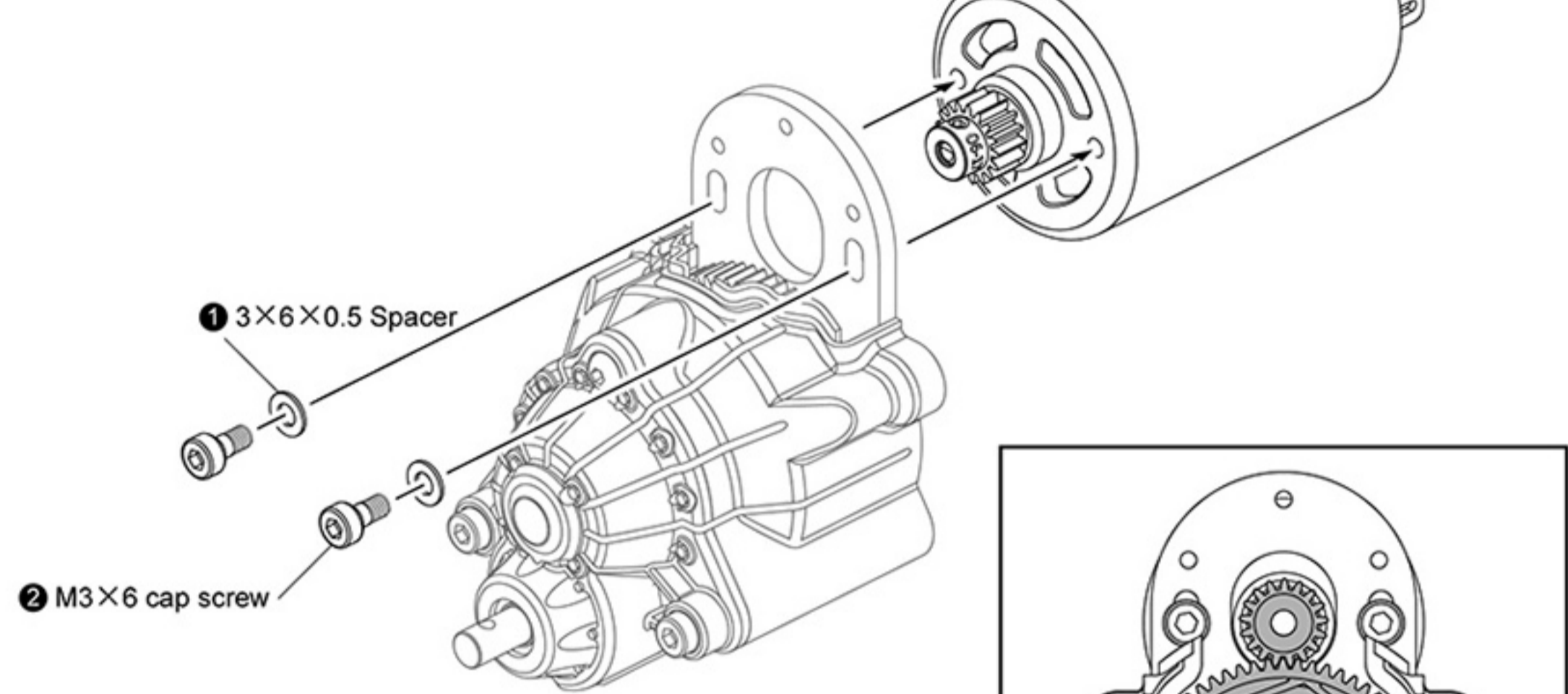
※ Please set the gear ratio according to motor specifications, environments, and personal requirements.
齒比的選擇會因馬達規格、場地形態、車手手感，而有不同選擇。可先參考當地配置後再選擇齒比！

※ Please refer to MST office website for completed pinion specifications.
如須另購馬達齒，請上官網查詢！ [www.rc-mst.com]

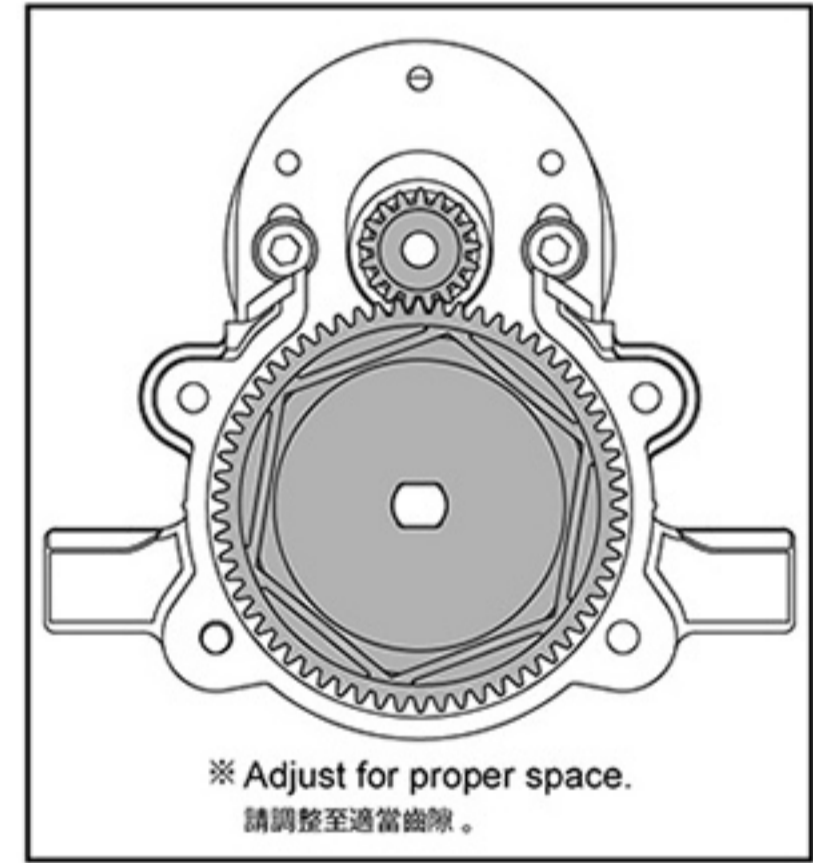
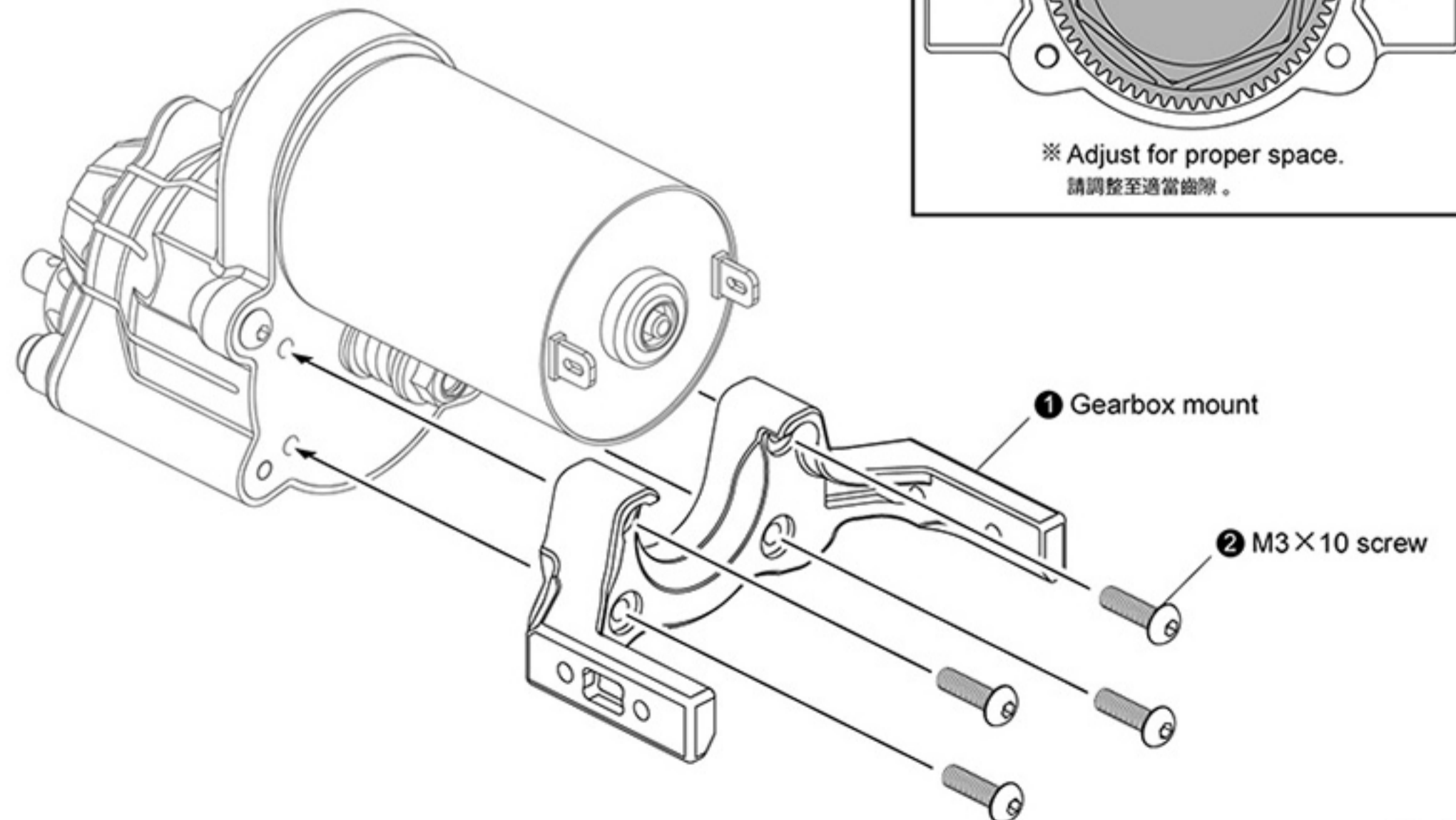
STEP 10 Attaching dust cover
安裝防塵蓋



STEP 9 Attaching motor
安裝馬達



STEP 11 Attaching gearbox mount
安裝減速箱固定座



TRANSFER CASE

分動箱

M3×5 screw ×1
圓頭螺絲

3×6×0.5 Spacer ×1
墊片

E-clip 4.0 ×2
E扣

M3×14 screw ×4
圓頭螺絲

5×10×4 Ball bearing ×4
培林

Gear B 24T ×1
齒輪 B 24T

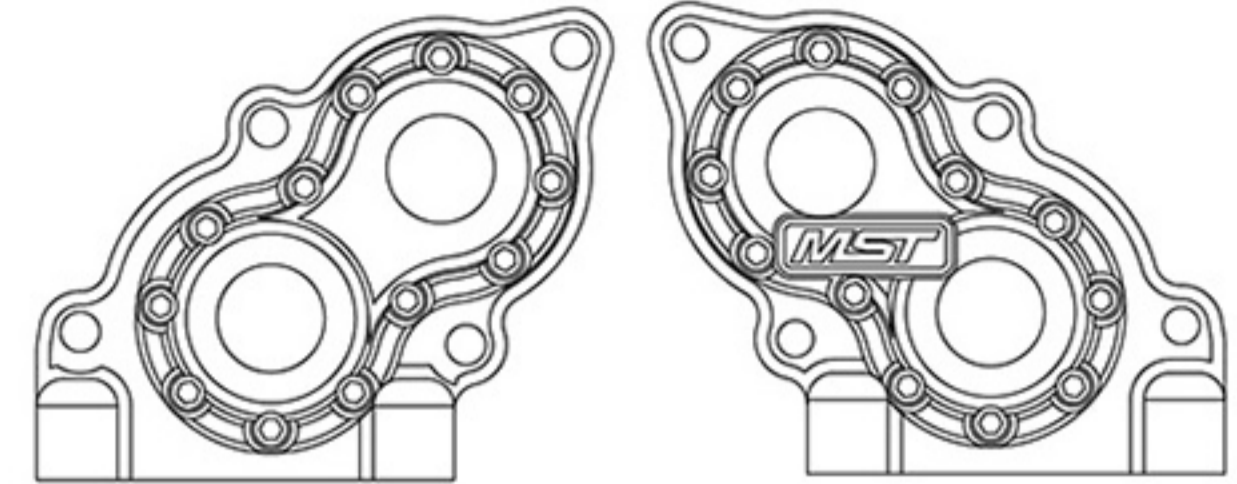
2×9.8 Shaft ×1
插銷

Gear shaft B ×1
齒輪軸心 B

Gear 32T ×1
齒輪 32T

2×13.8 Shaft ×1
插銷

Gear shaft C ×1
齒輪軸心 C

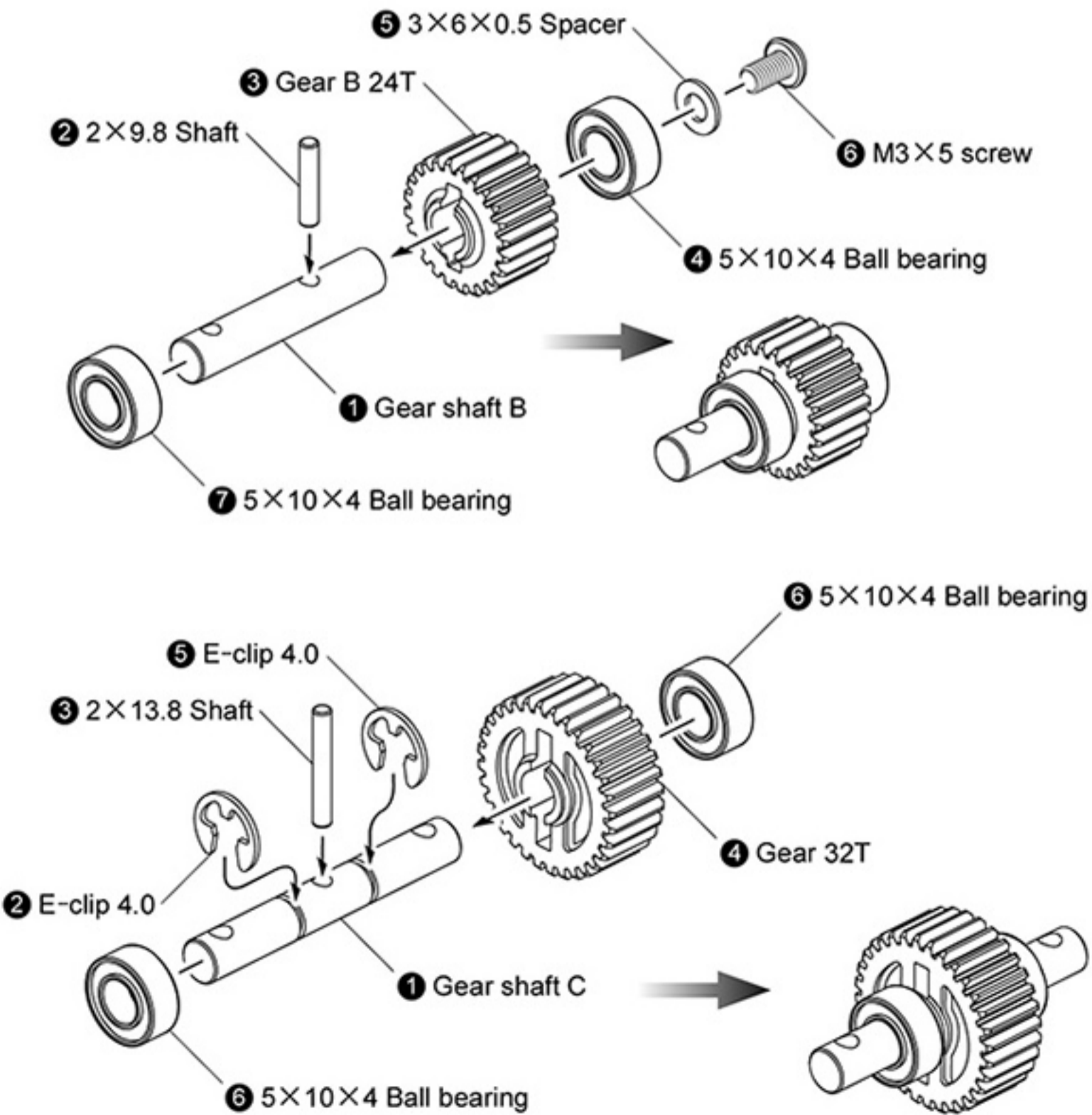


Gear box A ×1
分動箱 A

Gear box B ×1
分動箱 B

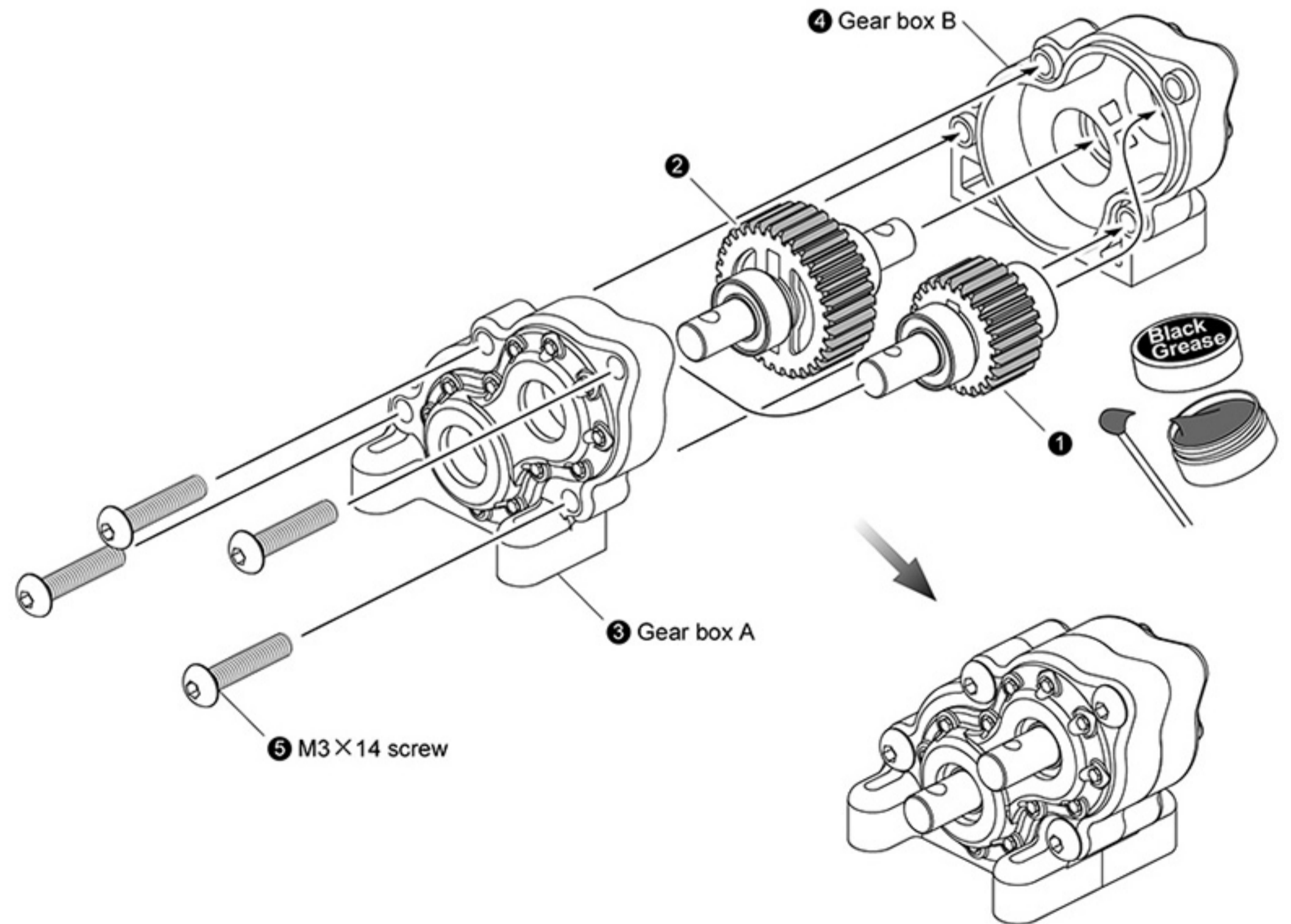
STEP 1 Deceleration gear assembly

減速齒組裝



STEP 2 Attaching gear

安裝減速齒



FRAME RAIL

車架

M3×6 screw ×2
圓頭螺絲

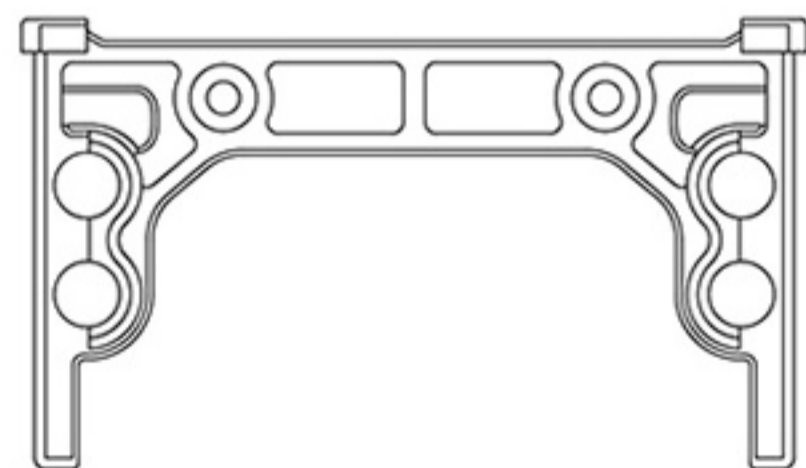
M3×8 screw ×12
圓頭螺絲

M3×10 screw ×4
圓頭螺絲

M3×14 screw ×4
沉頭螺絲

2×11.8 Shaft ×2
插銷

Nut M3 ×2
螺帽



Crossmember A ×1
橫樑 A

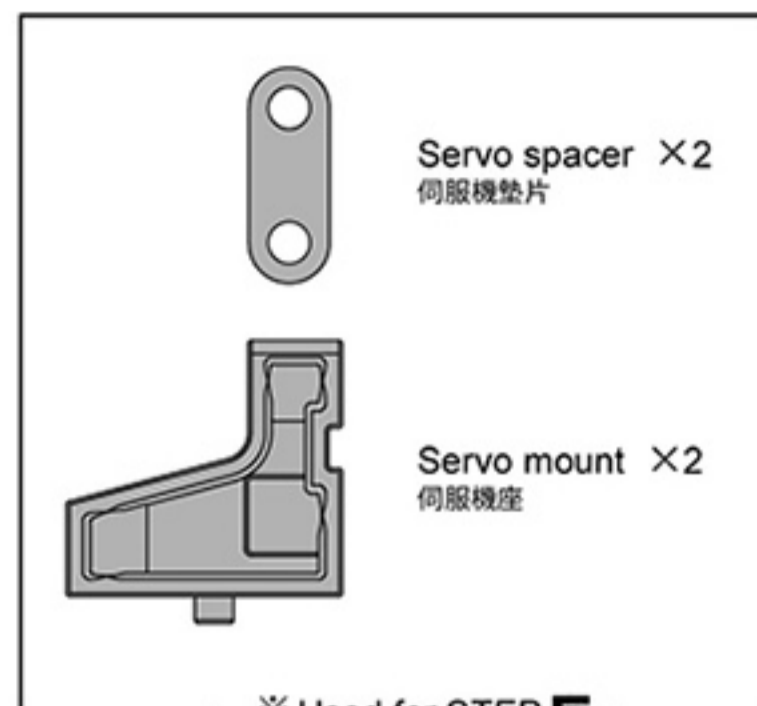


Driveshaft
傳動軸



Hex. wheel hubs ×4
六角輪座

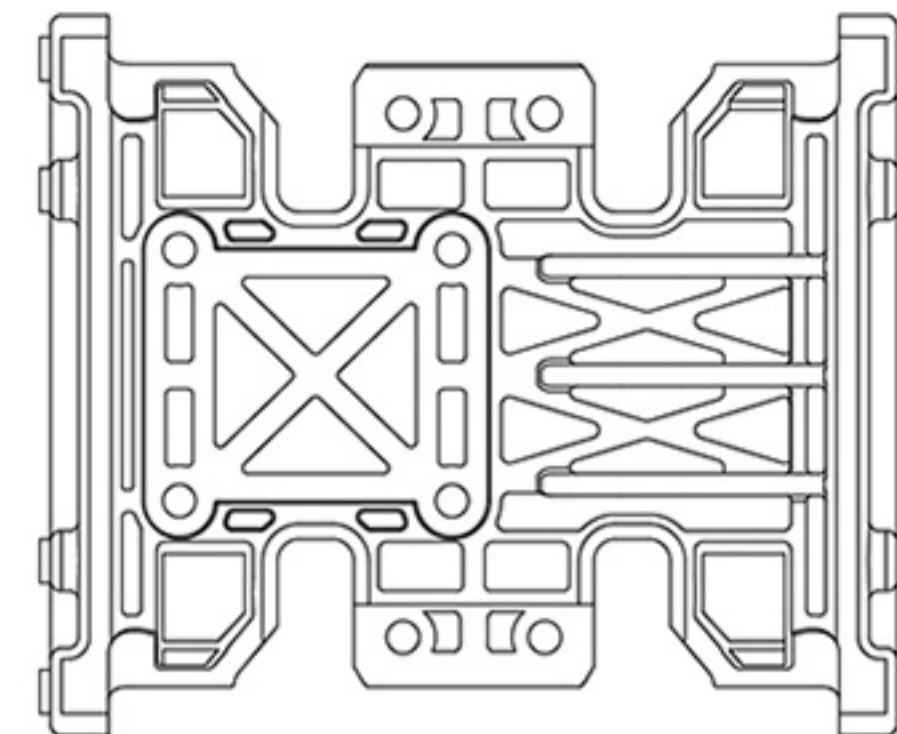
※ Used for STEP 10
保留零件到第10步驟



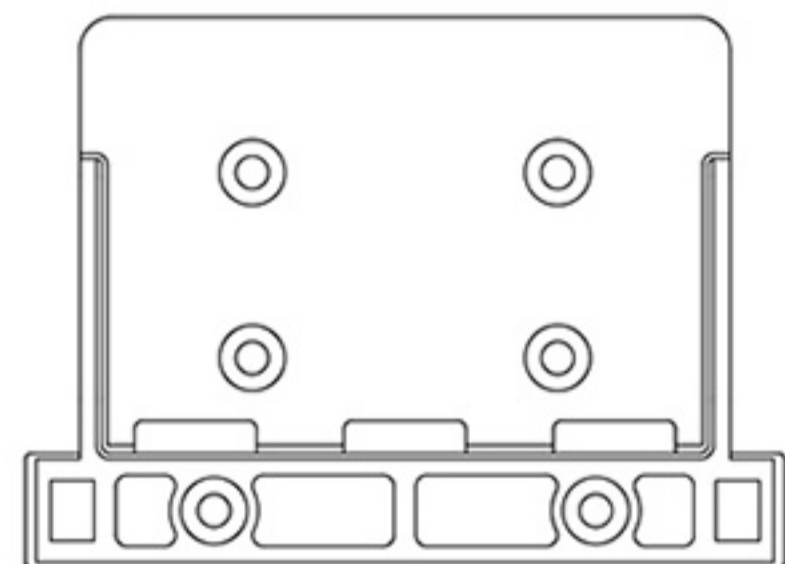
Servo spacer ×2
伺服機墊片

Servo mount ×2
伺服機座

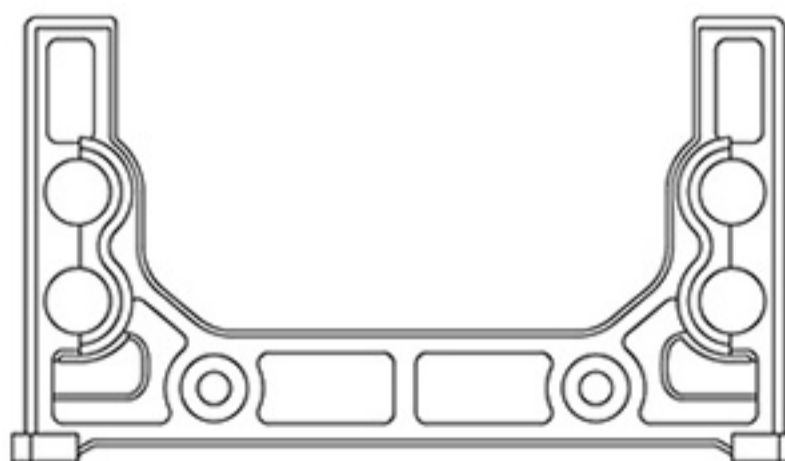
※ Used for STEP 5
保留零件到第5步驟



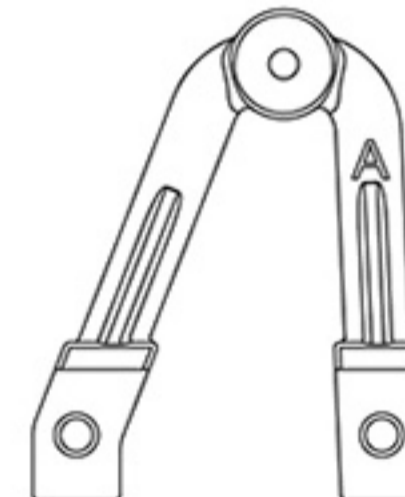
Gearbox chassis ×1
減速箱底座



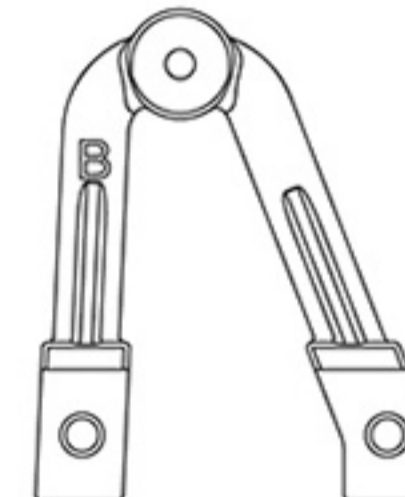
Crossmember C ×1
橫樑 C



Crossmember D ×1
橫樑 D



Damper stay A ×2
避震架



Damper stay B ×2
避震架

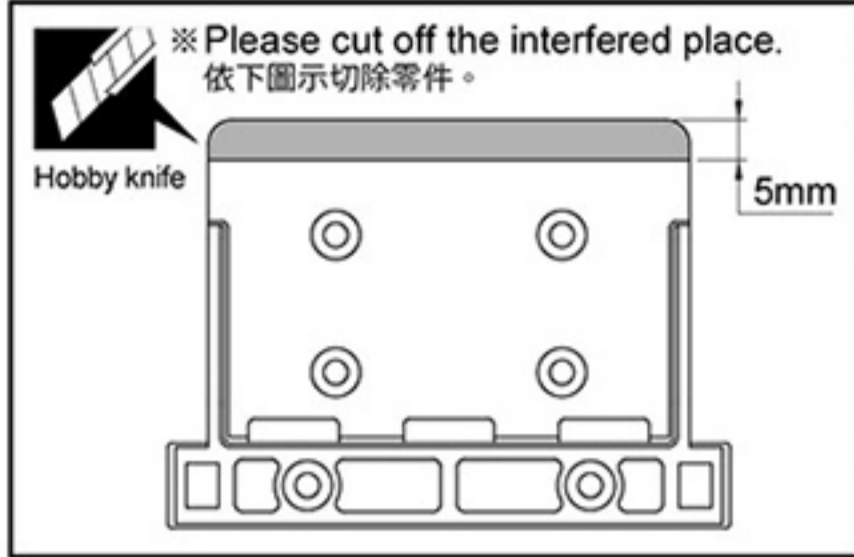


Chassis rail ×2
大樑



STEP 1 Frame rail assembly

車架組裝



Damper stay A

Damper stay B

※ Install the Damper stay A for wheelbase 252mm.
軸距252時，請安裝避震架A

For 242 wheelbase
For 252 wheelbase

REAR

Damper stay A

※ Install the Damper stay B for wheelbase 252mm.
軸距252時，請安裝避震架B

M3 X 8 screw

M3 X 10 screw

Gearbox chassis

Crossmember C

For 267 wheelbase

Damper stay A

Damper stay B

M3 X 8 screw

M3 X 8 screw

M3 X 6 screw

M3 X 8 screw

Damper stay B

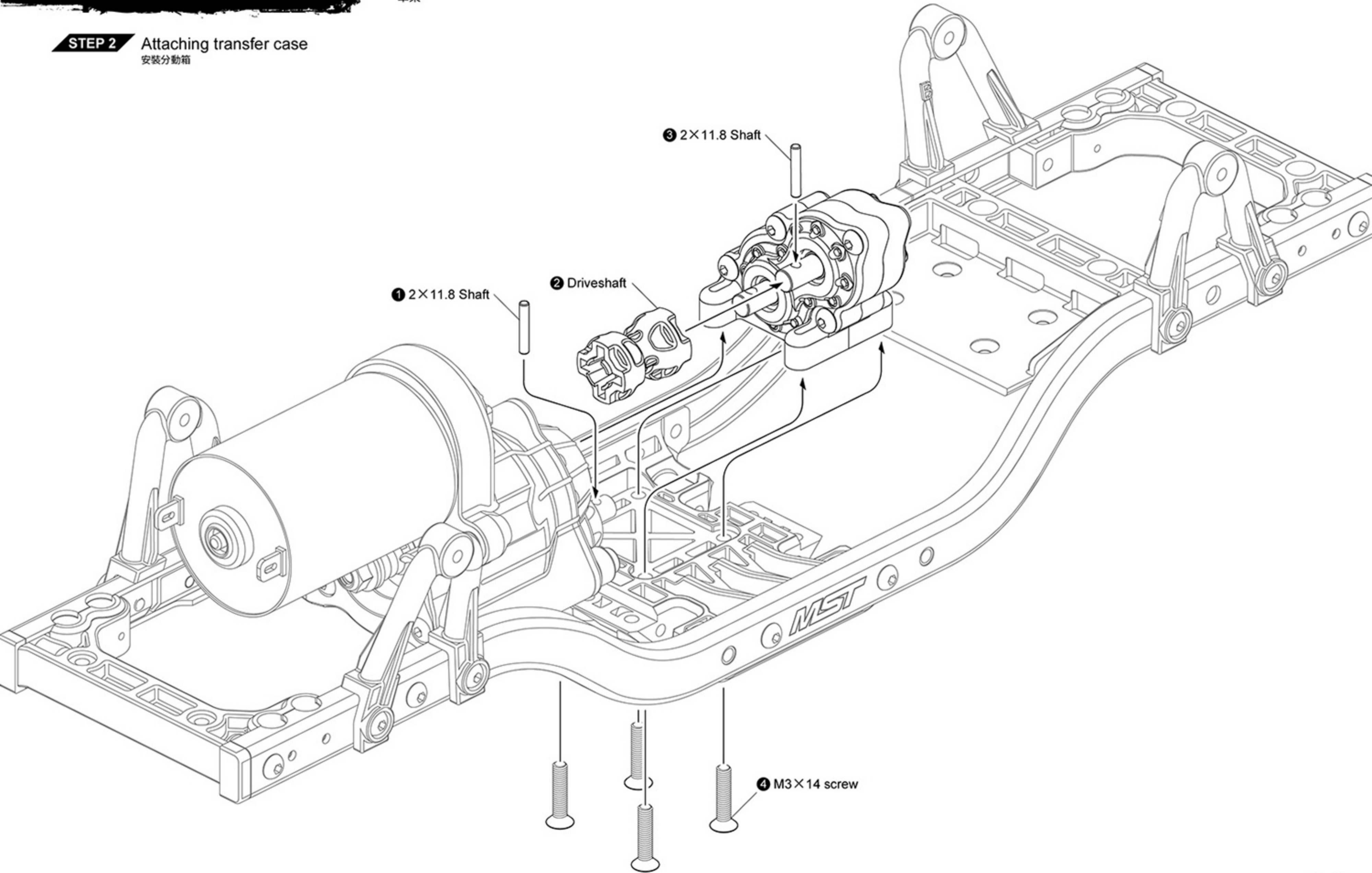
FRONT

Crossmember A

M3 X 10 screw

M3 X 8 screw

STEP 2 Attaching transfer case
安裝分動箱



5.8 Ball connector × 24
球頭

3×6×5 Spacer × 8
墊片

M3×16 screw × 16
止付螺絲

M3×20 screw × 10
止付螺絲

M3×16 screw × 4
圓頭螺絲

M3×18 screw × 4
圓頭螺絲

Spacer × 4
轉向襯套

※ Used for STEP 5
保留零件到第5步驟

4.8 Ball connector × 4
球頭

※ Used for STEP 8
保留零件到第8步驟

Lock nut M3 × 4
防鬆螺帽

5.8×25 Adjuster × 16
拉桿頭

Adjuster × 2
伺服拉桿頭

Adjuster × 2
轉向拉桿頭

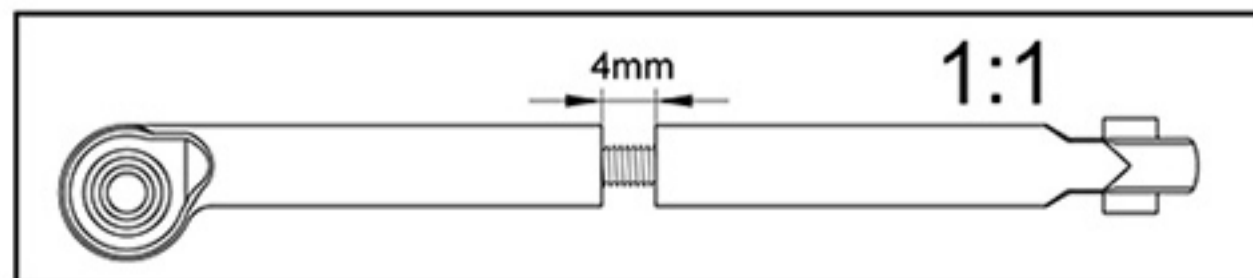
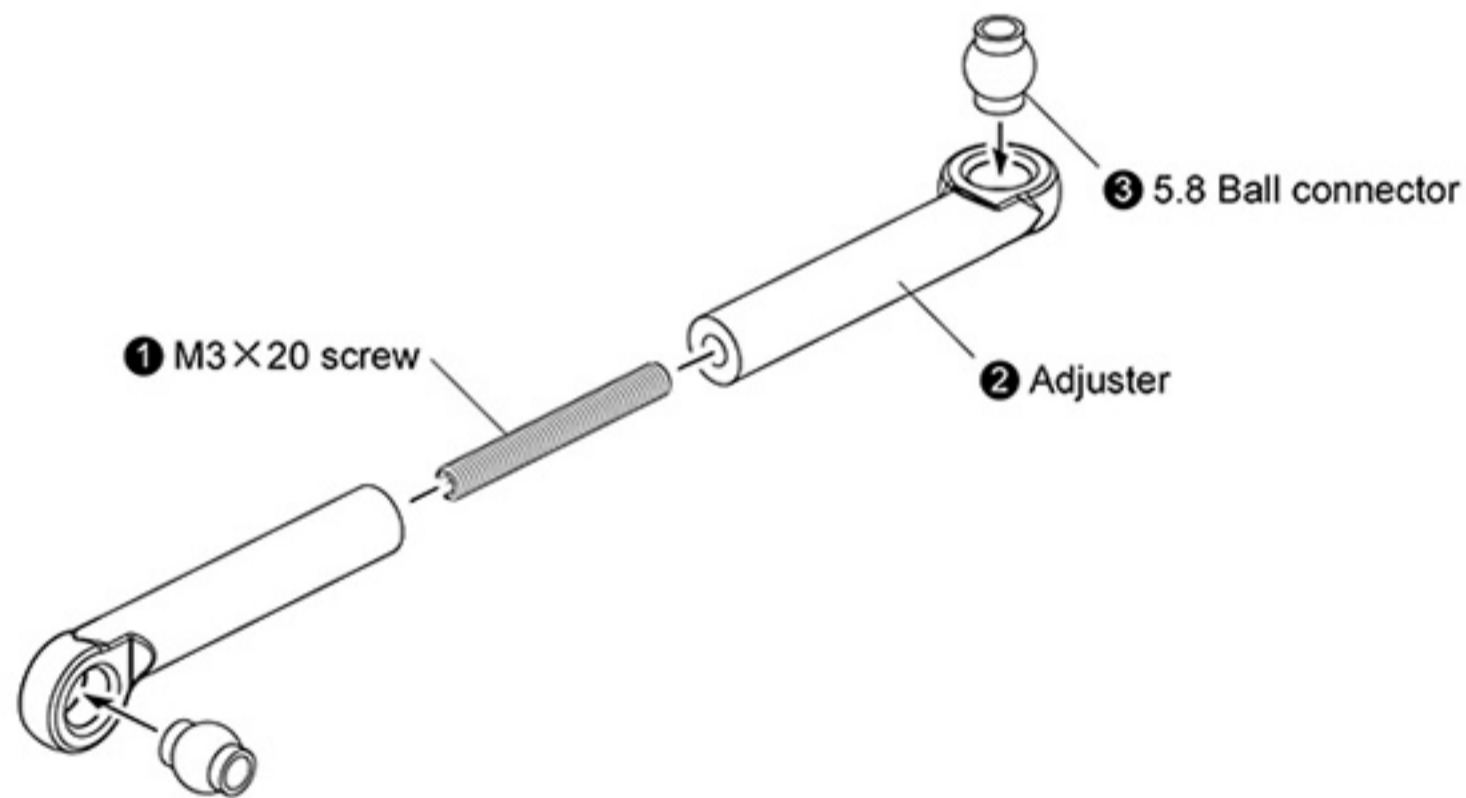
Upper link × 4
上拉桿 (36.5mm)

Lower link × 4
下拉桿 (48.5mm)

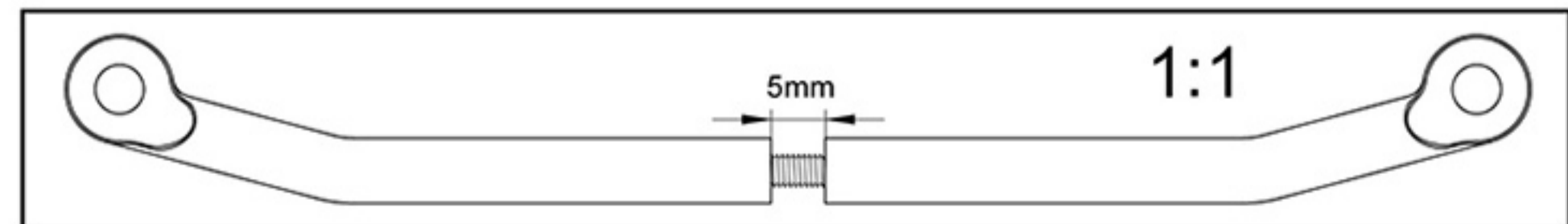
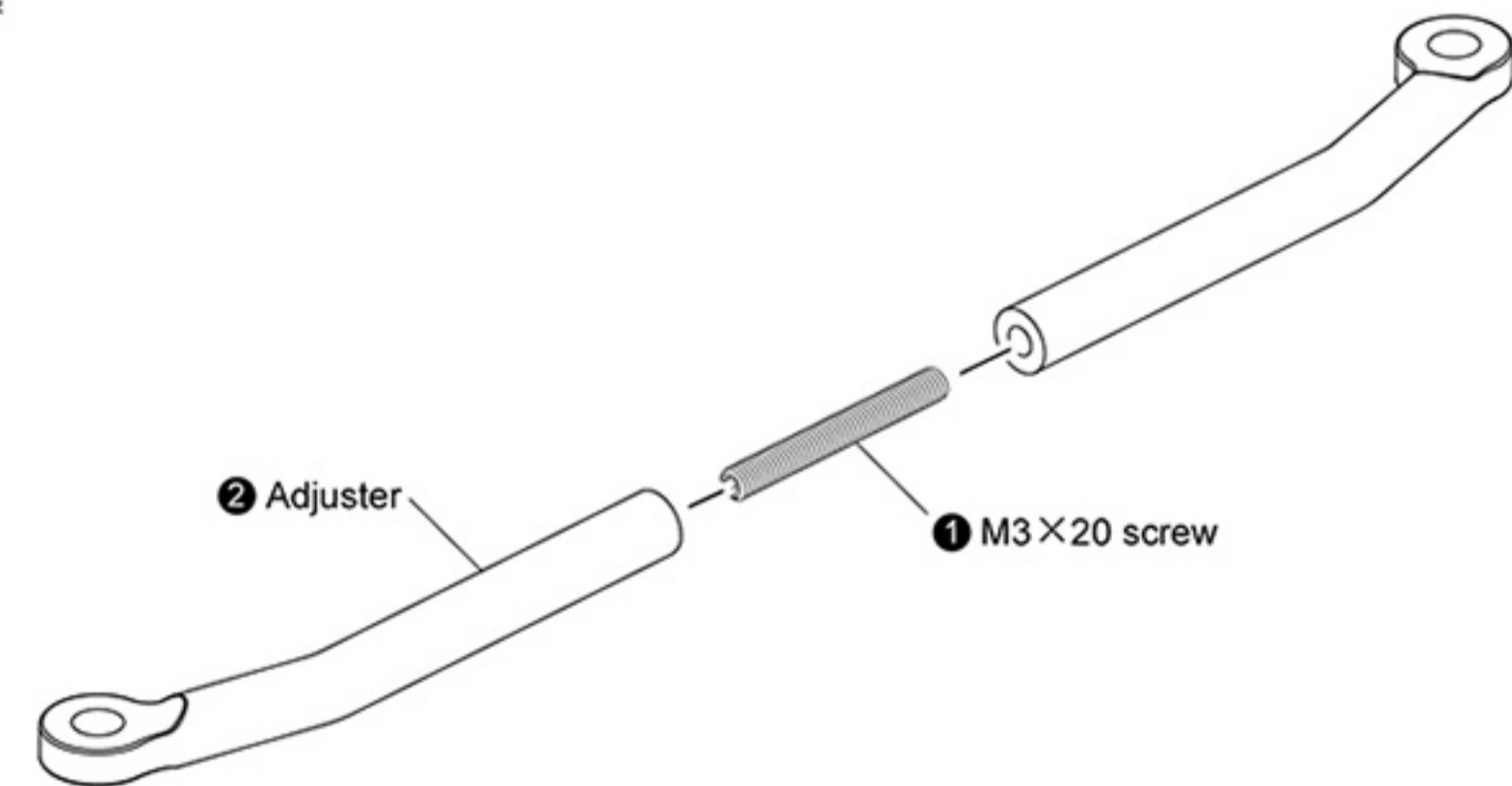
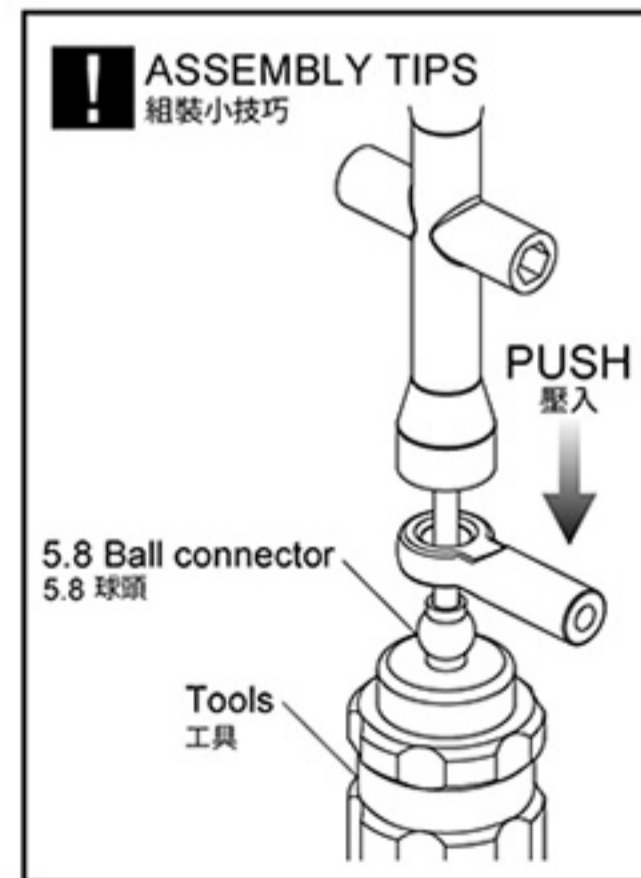
Upper link × 2
上拉桿 (60.5mm)

Lower link × 2
下拉桿 (72.5mm)

STEP 1 Servo link assembly
伺服拉桿組裝



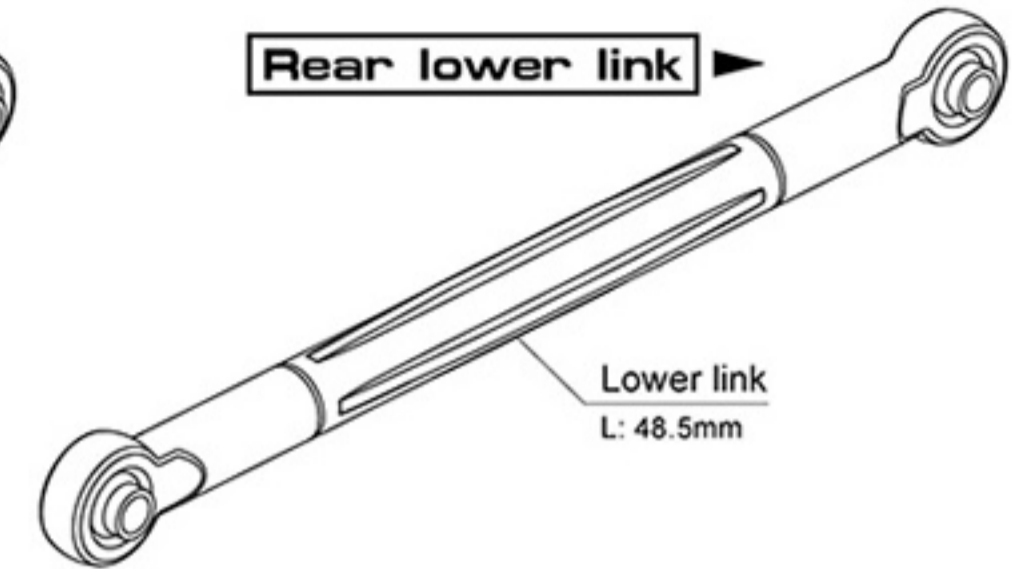
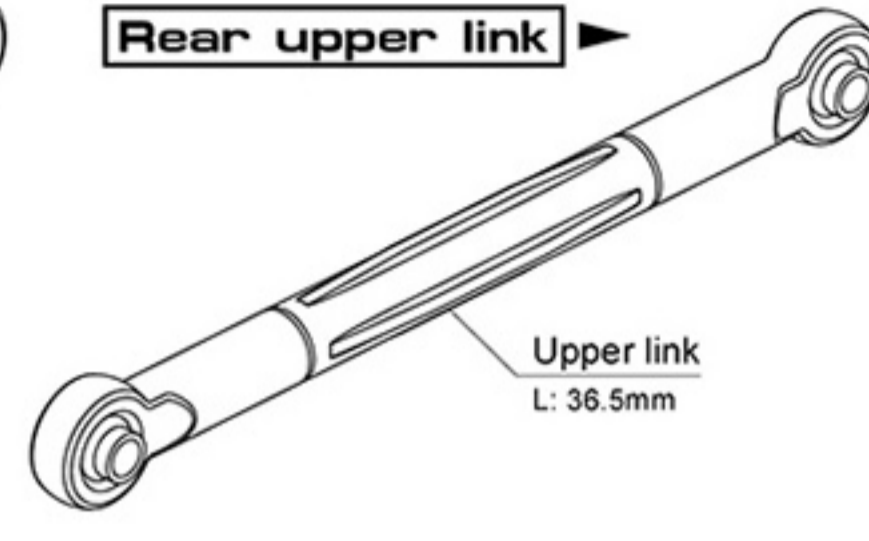
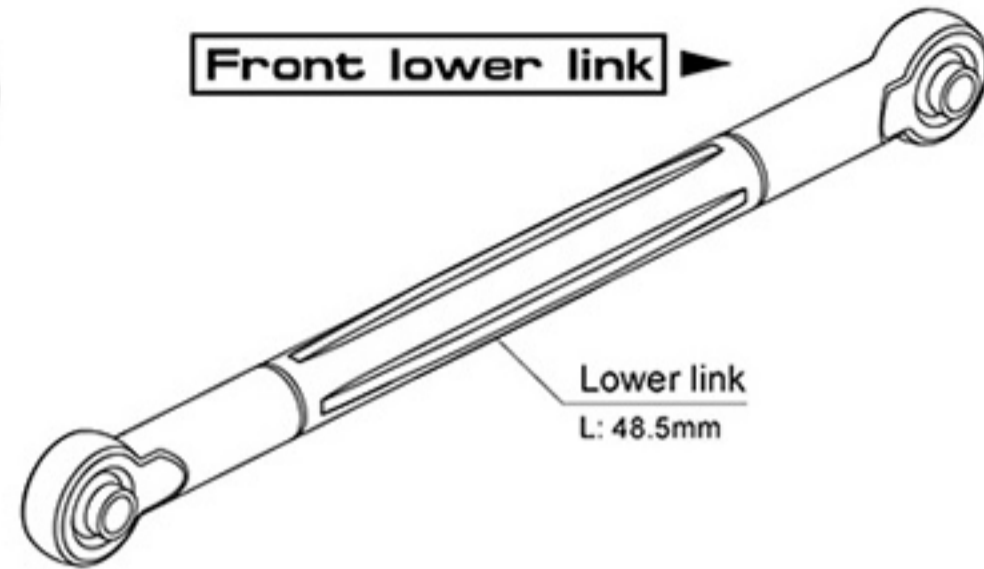
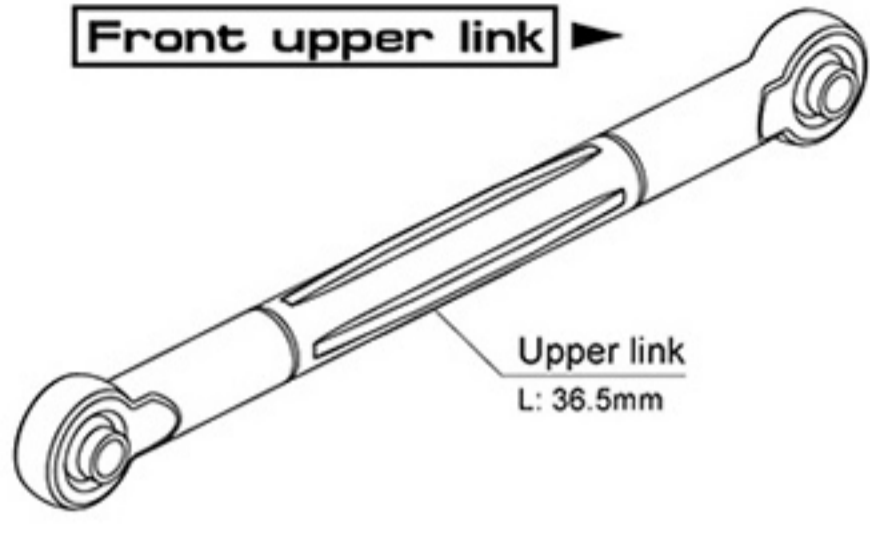
STEP 2 Steering link assembly
轉向拉桿組裝



LINKS — Link lengths for different wheelbase
拉桿組 各軸距上&下拉桿長度參考

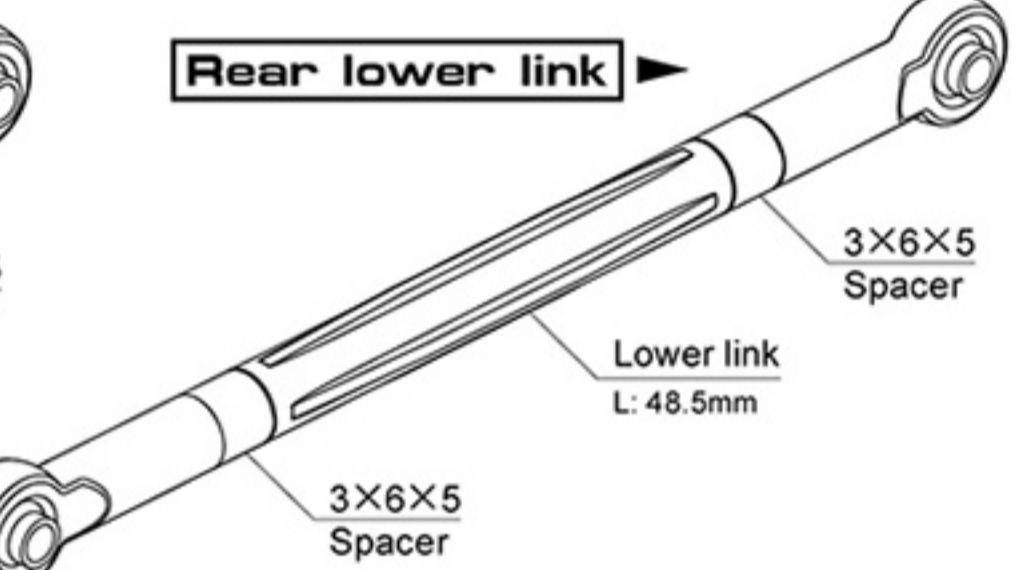
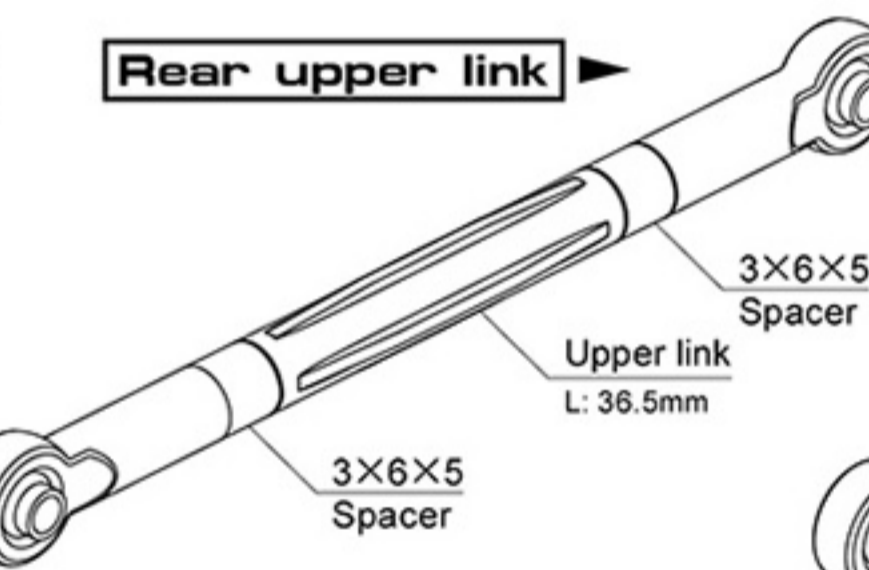
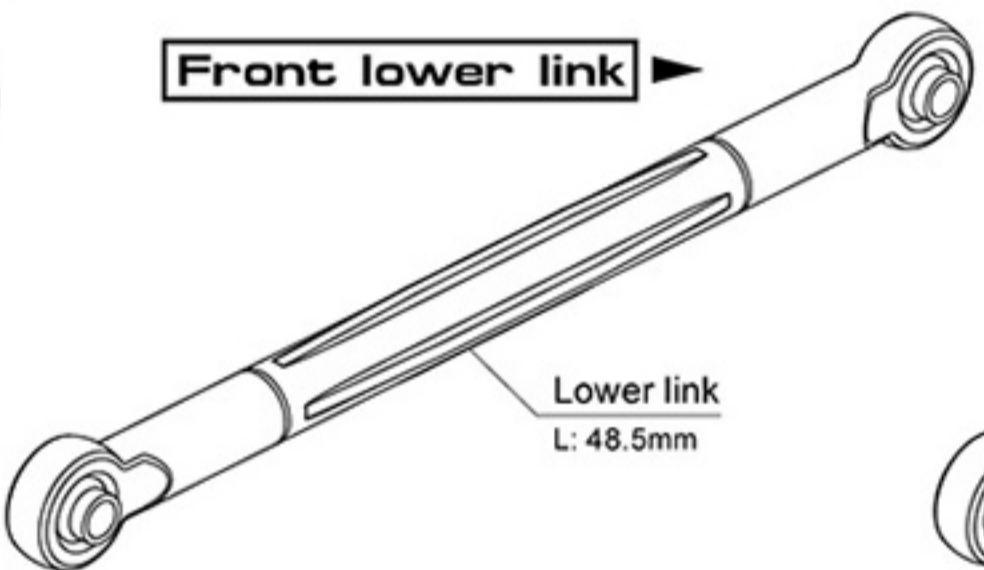
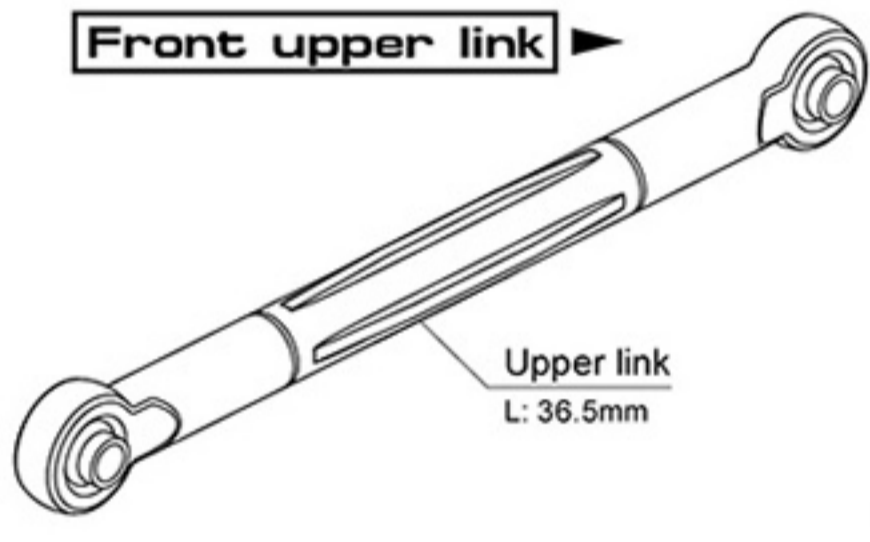
For 242mm wheelbase

※ Please refer to P.18.
請參閱P.18。



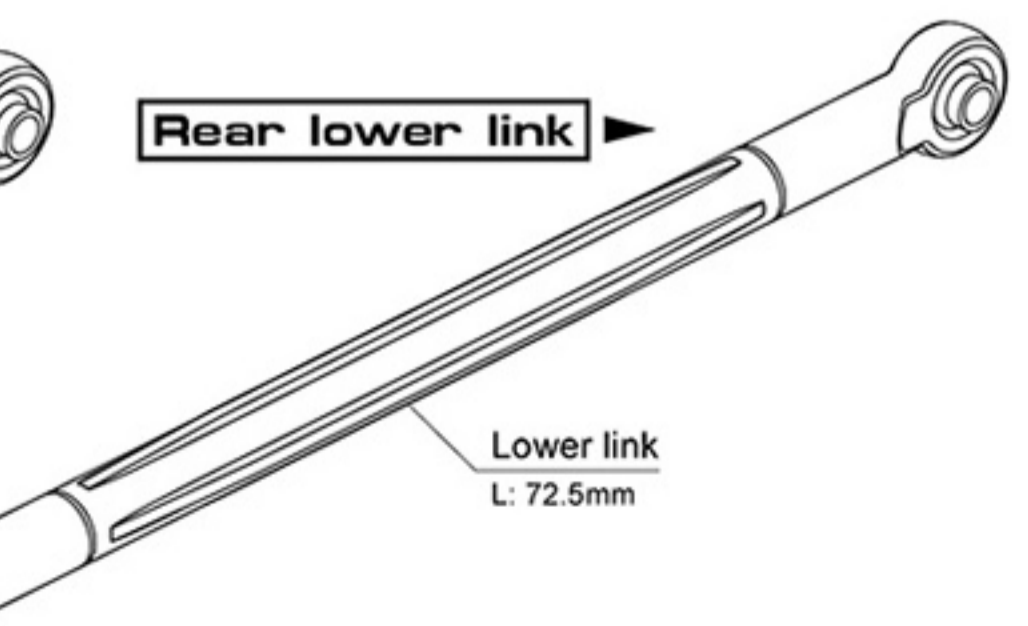
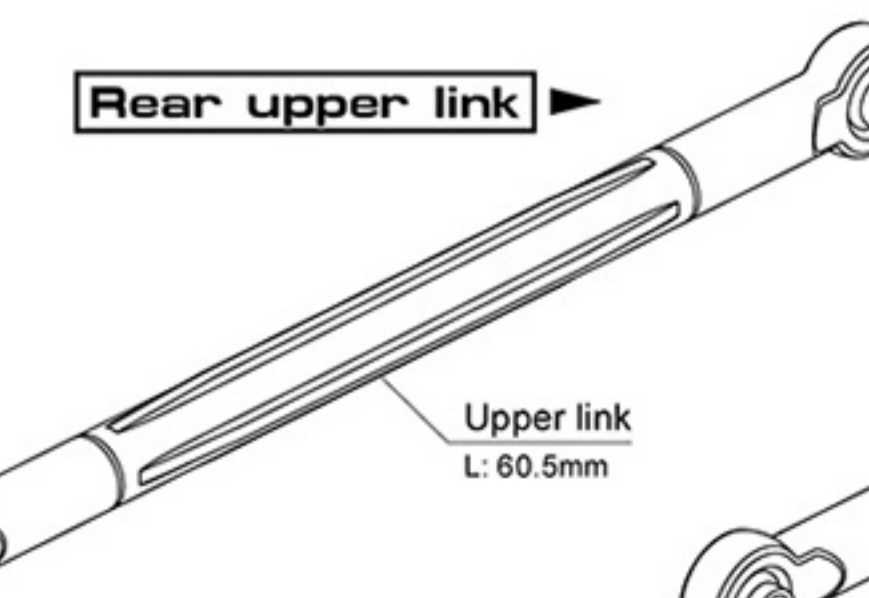
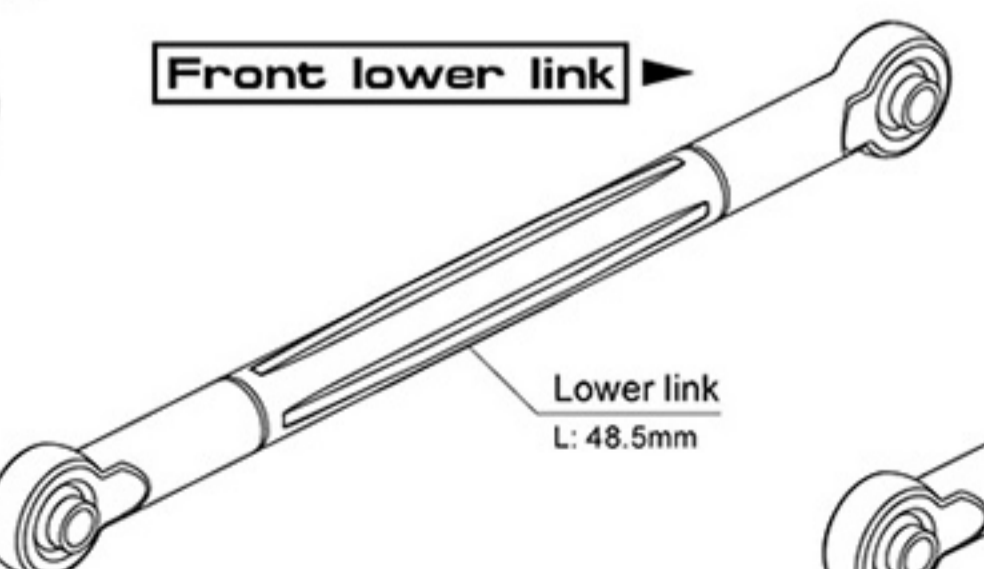
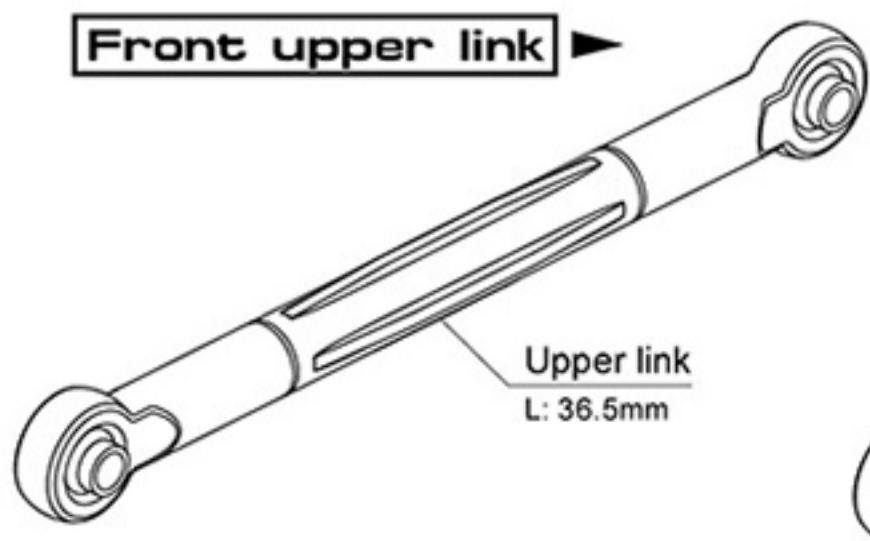
For 252mm wheelbase

※ Please refer to P.19.
請參閱P.19。



For 267mm wheelbase

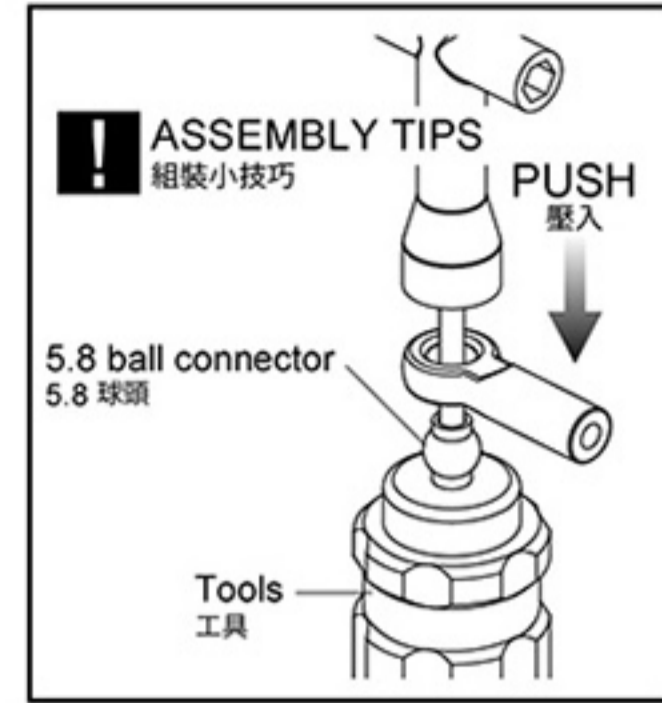
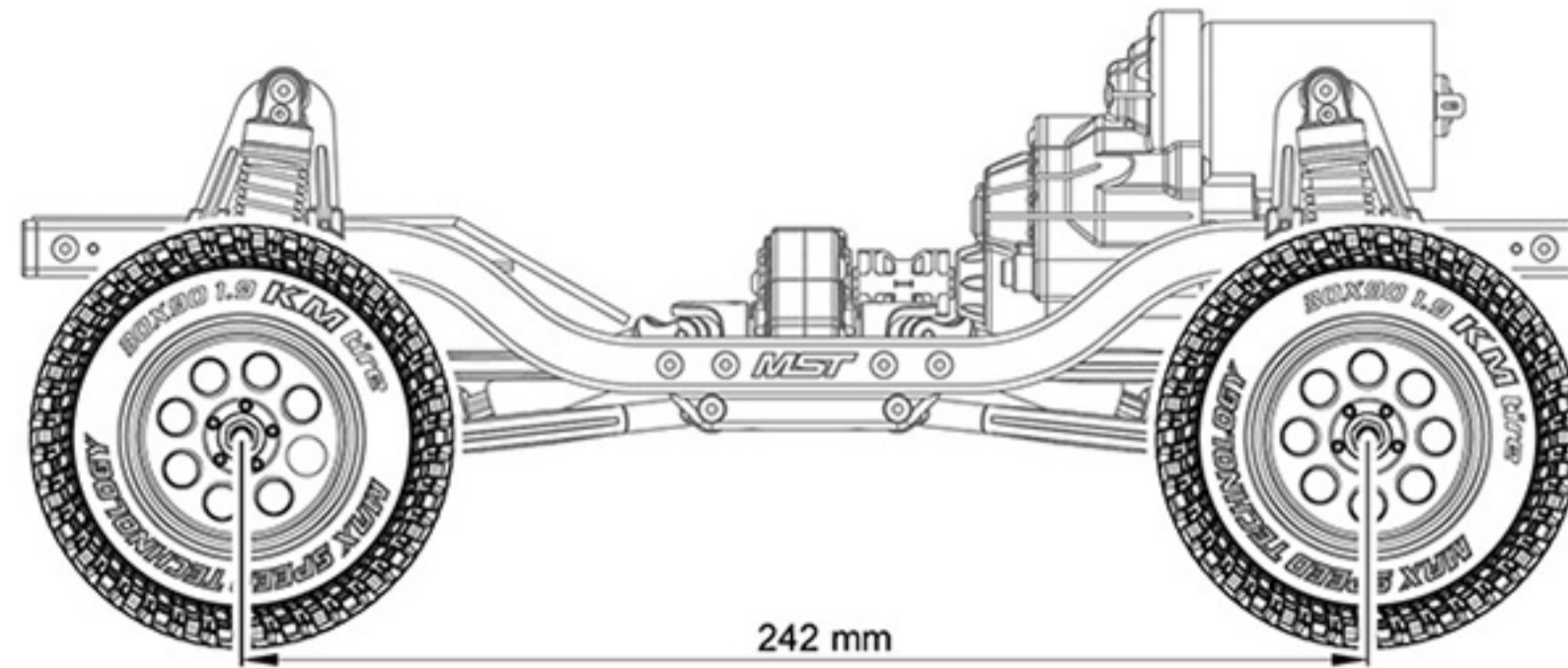
※ Please refer to P.20.
請參閱P.20。



LINKS For 242 wheelbase
拉桿組

FORD Bronco	242 mm
TOYOTA LC40	252 mm
M-BENZ Unimog 406	242 mm
TOYOTA FJ	267 mm

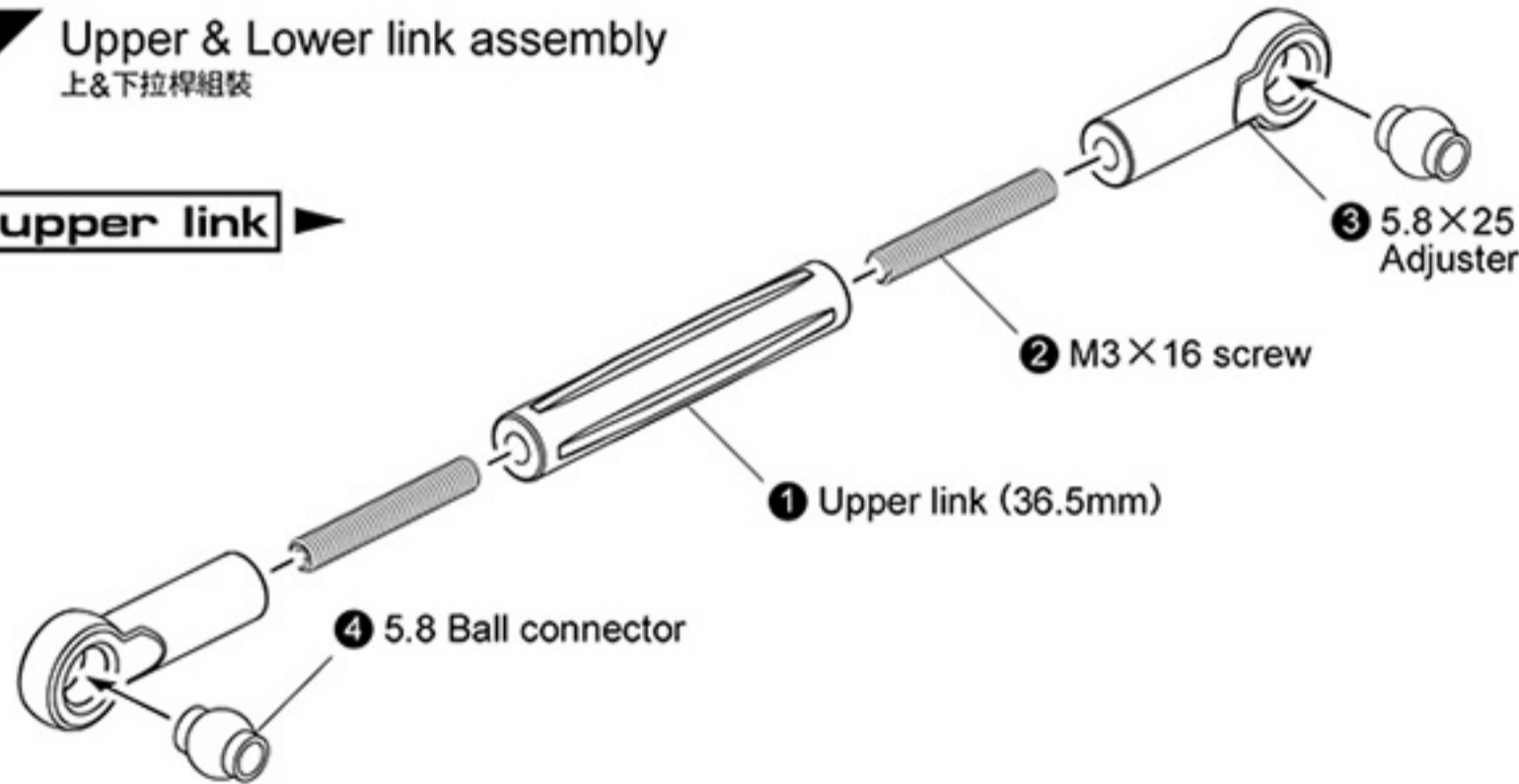
※ Please follow the link assembly for wheelbase.
(242/ 252/ 267mm)
請依軸距組裝所需拉桿。(242mm/ 252mm/ 267mm)



STEP 3 Upper & Lower link assembly
上&;下拉桿組裝

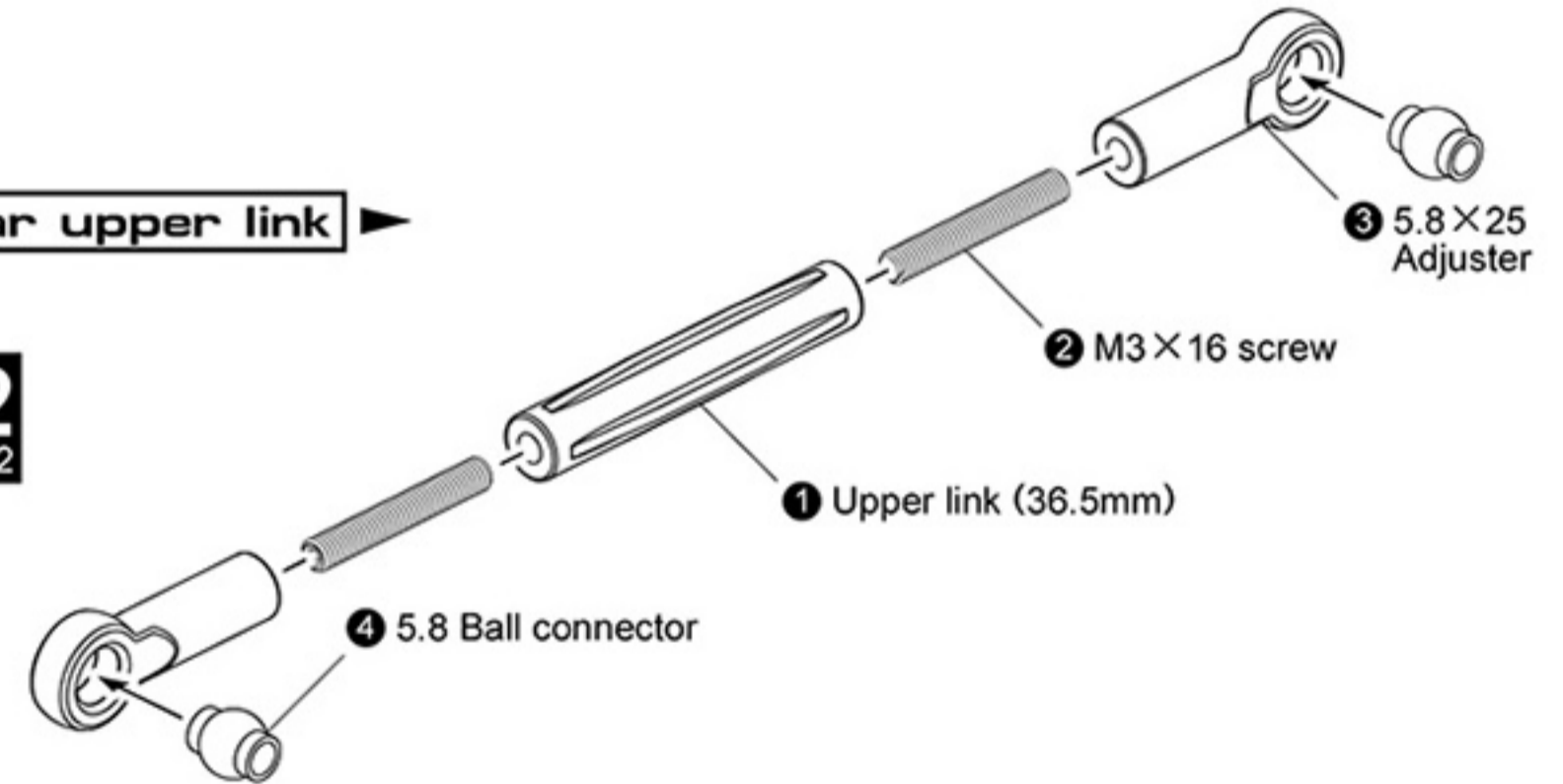
Front upper link

X2
Make 2



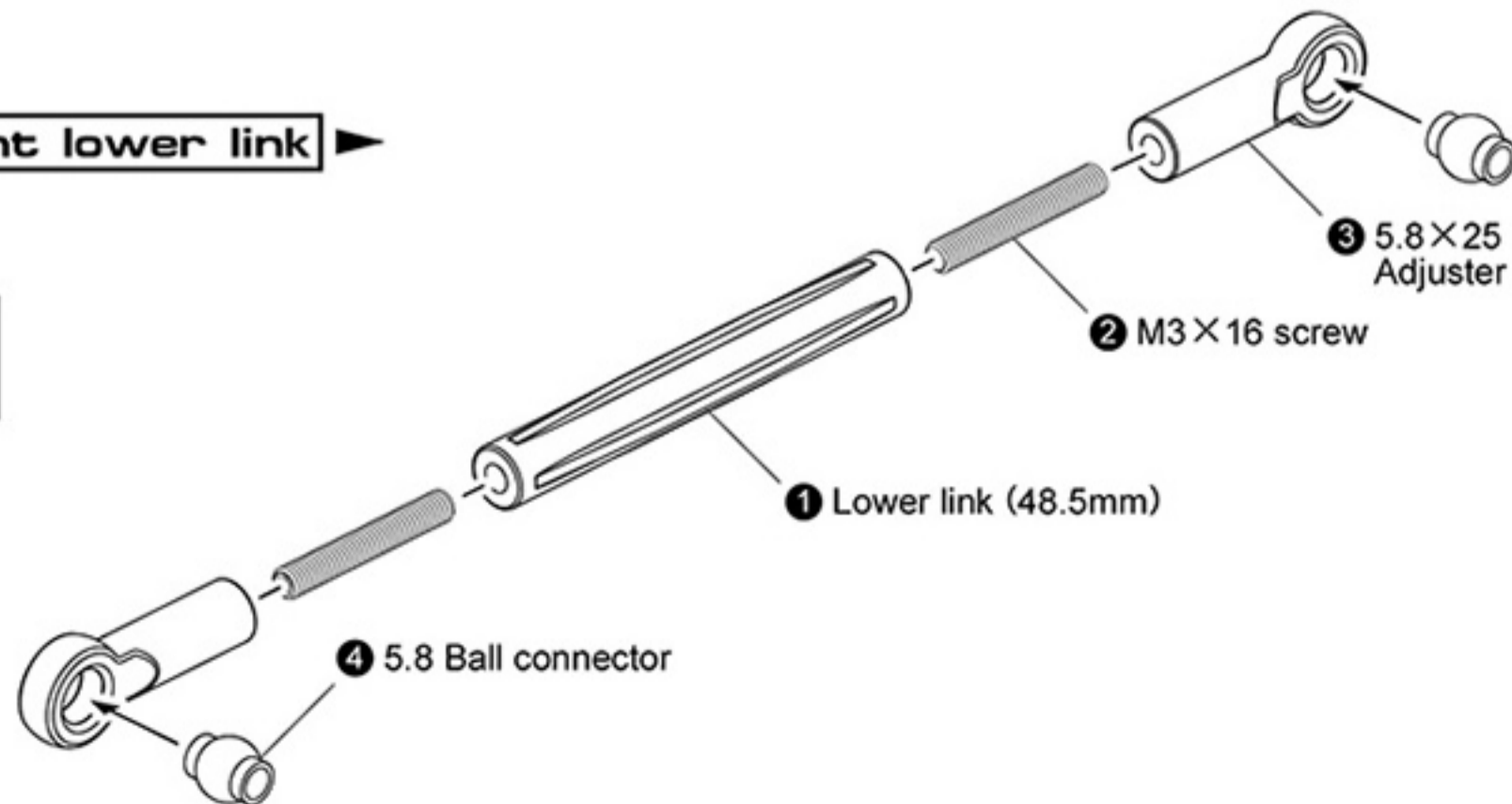
Rear upper link

X2
Make 2



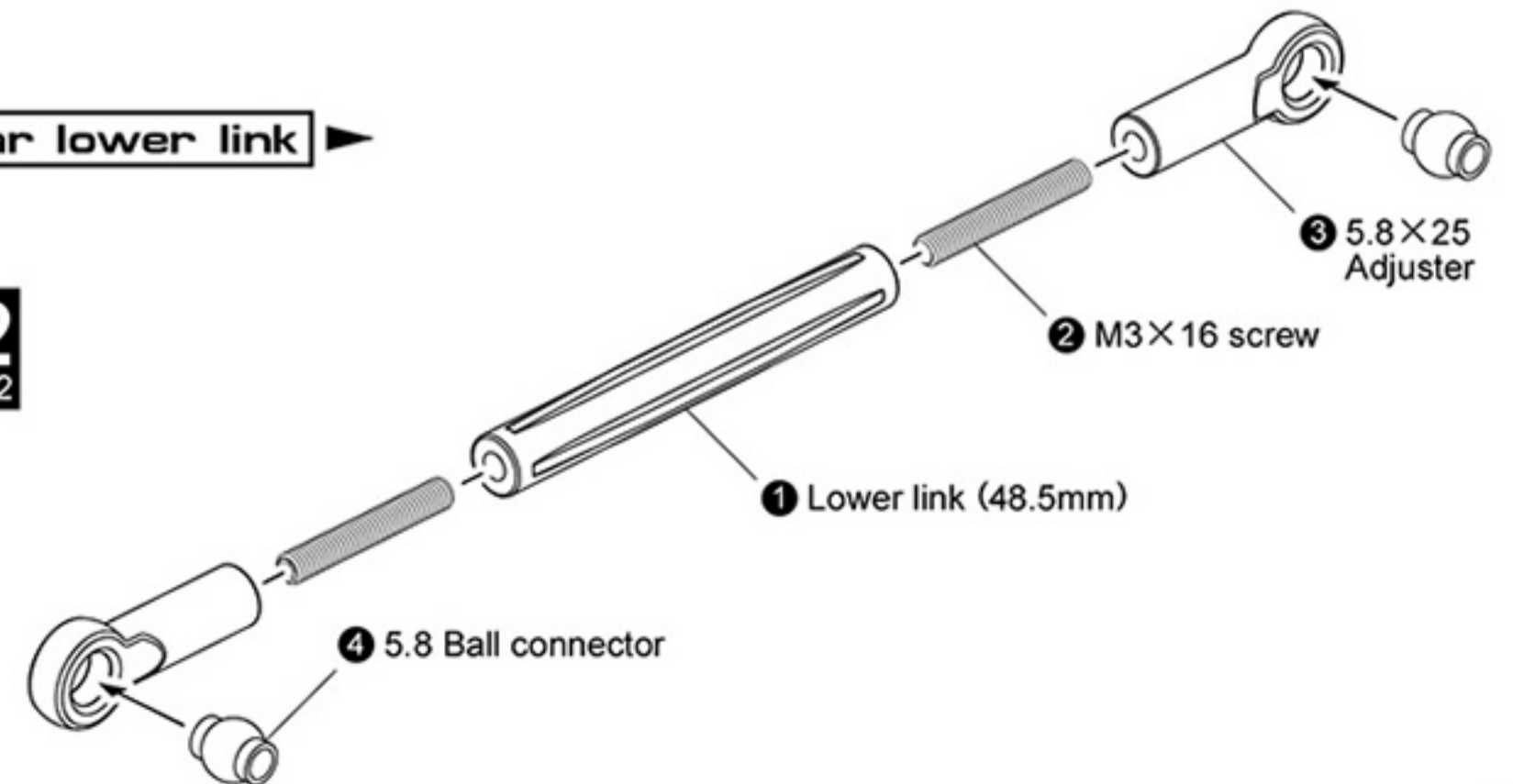
Front lower link

X2
Make 2



Rear lower link

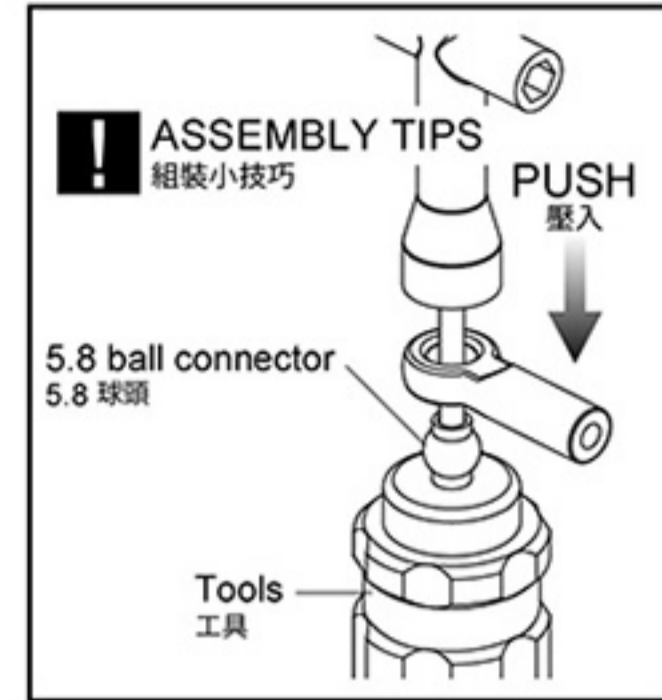
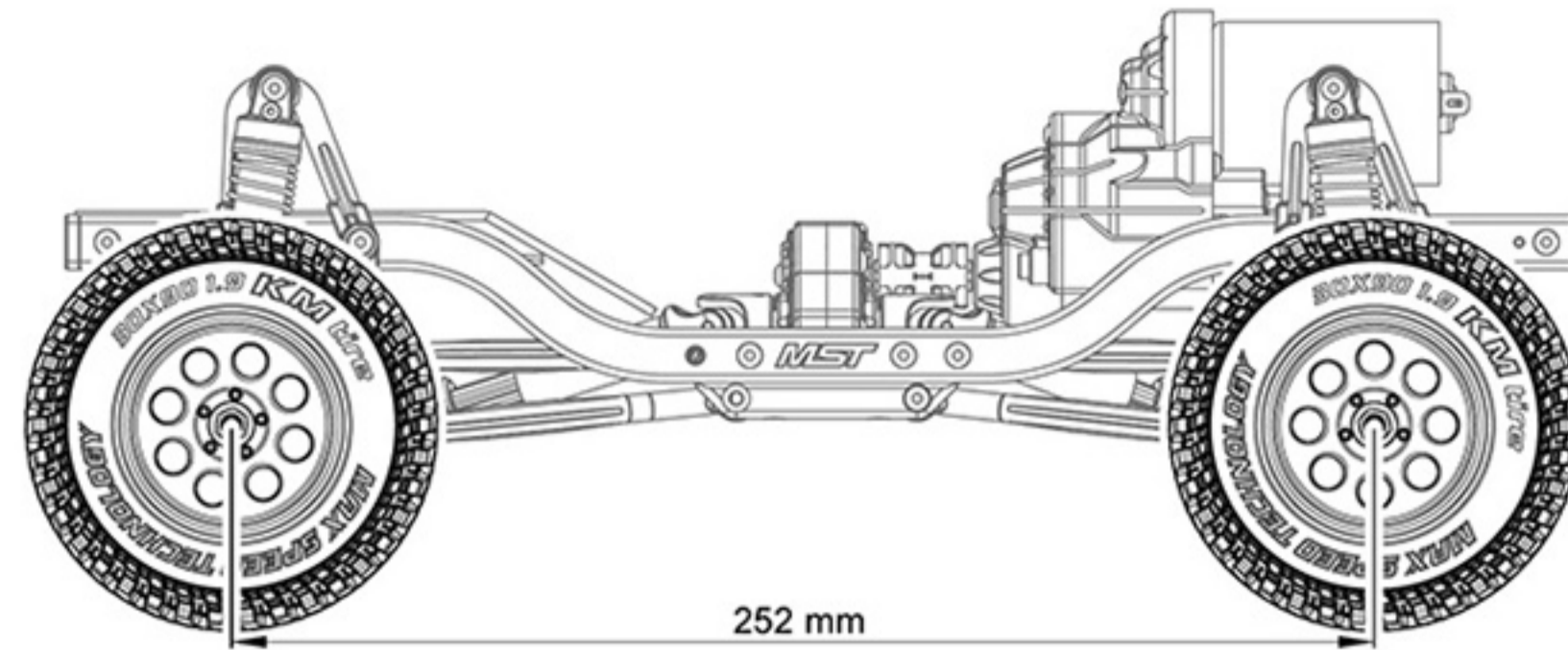
X2
Make 2



LINKS For 252 wheelbase
拉桿組

FORD Bronco	242 mm
TOYOTA LC40	252 mm
M-BENZ Unimog 406	242 mm
TOYOTA FJ	267 mm

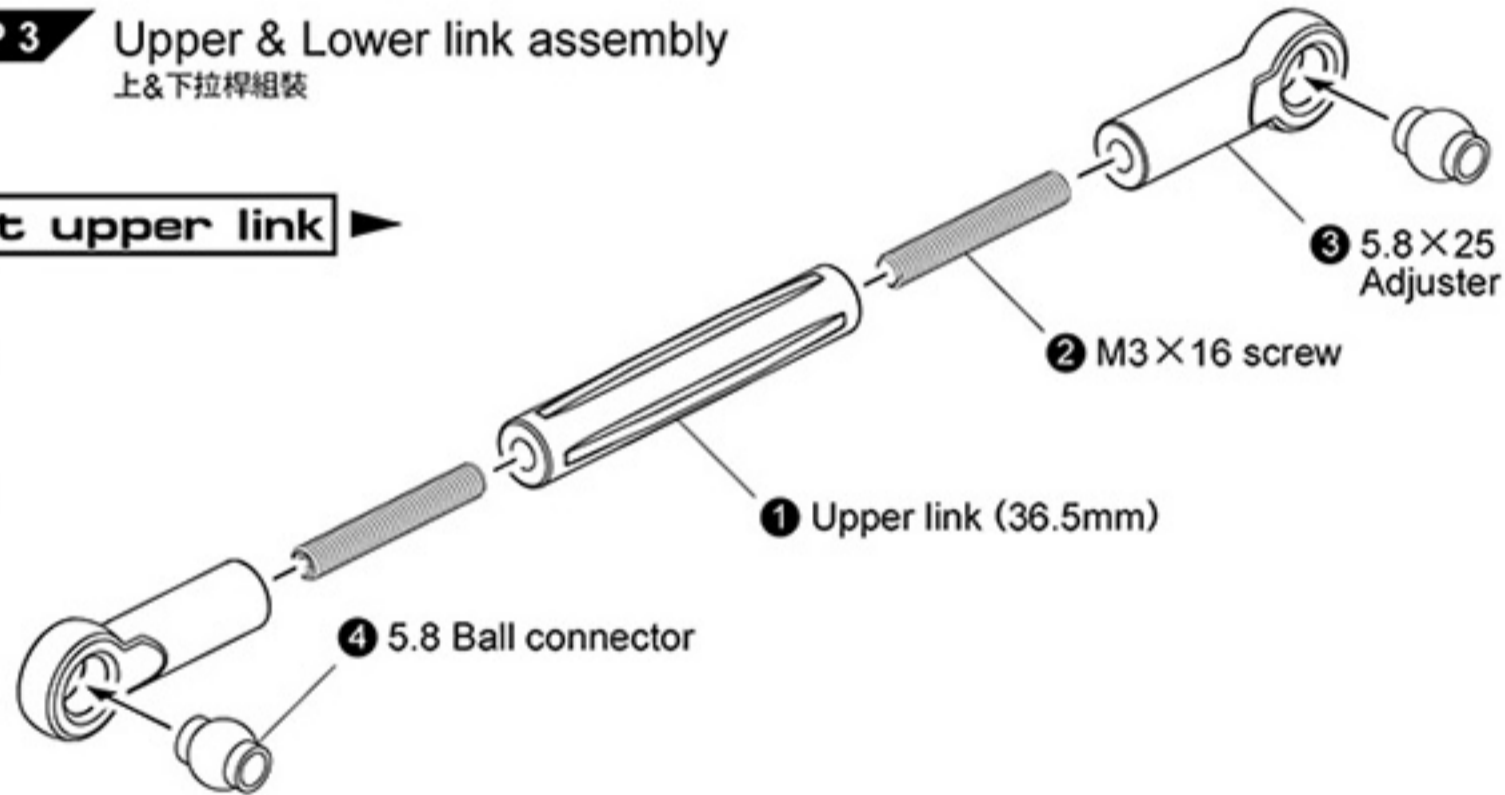
※ Please follow the link assembly for wheelbase.
(242/ 252/ 267mm)
請依軸距組裝所需拉桿。(242mm/ 252mm/ 267mm)



STEP 3 Upper & Lower link assembly
上&下拉桿組裝

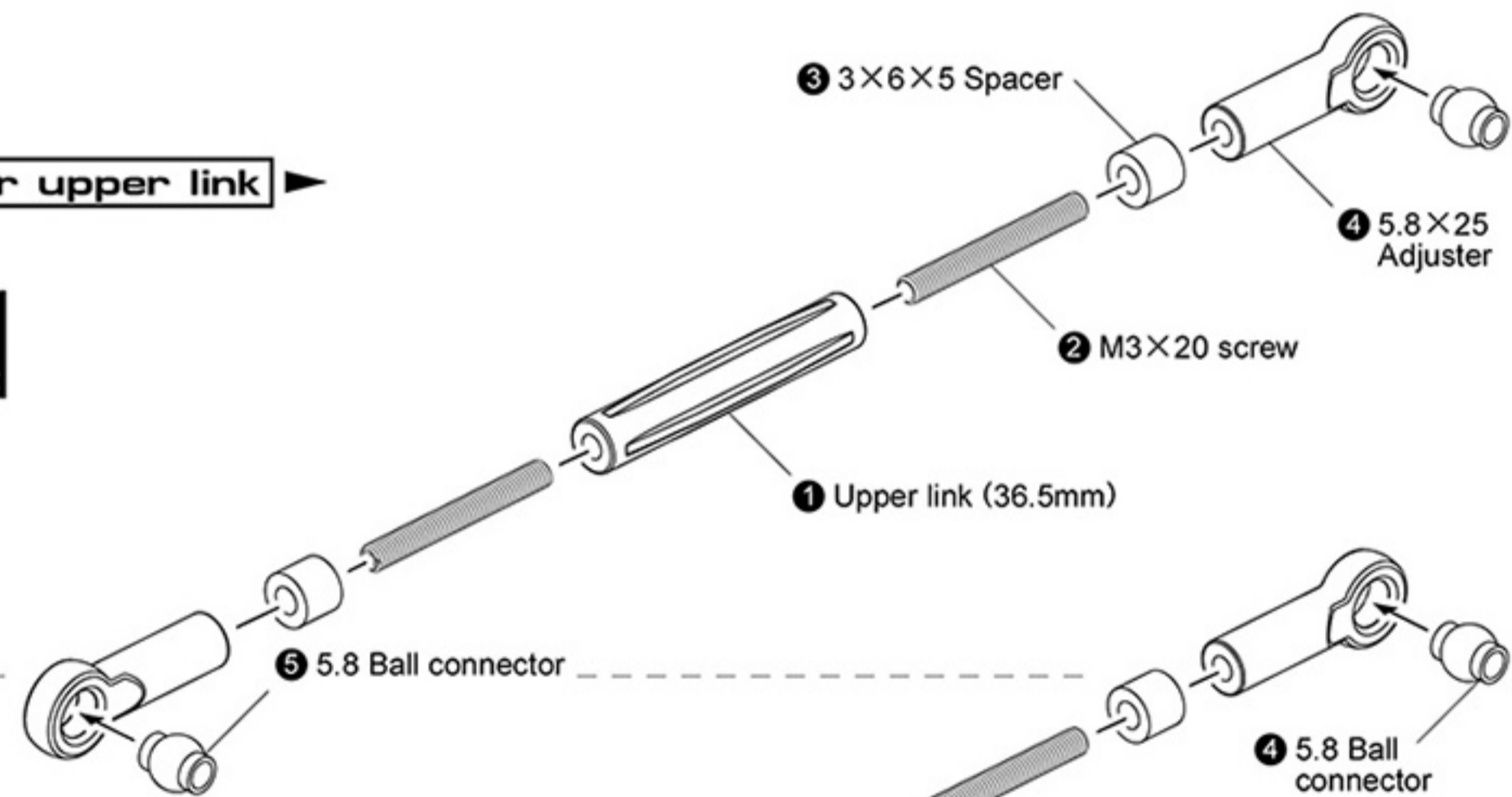
Front upper link

X2
Make 2



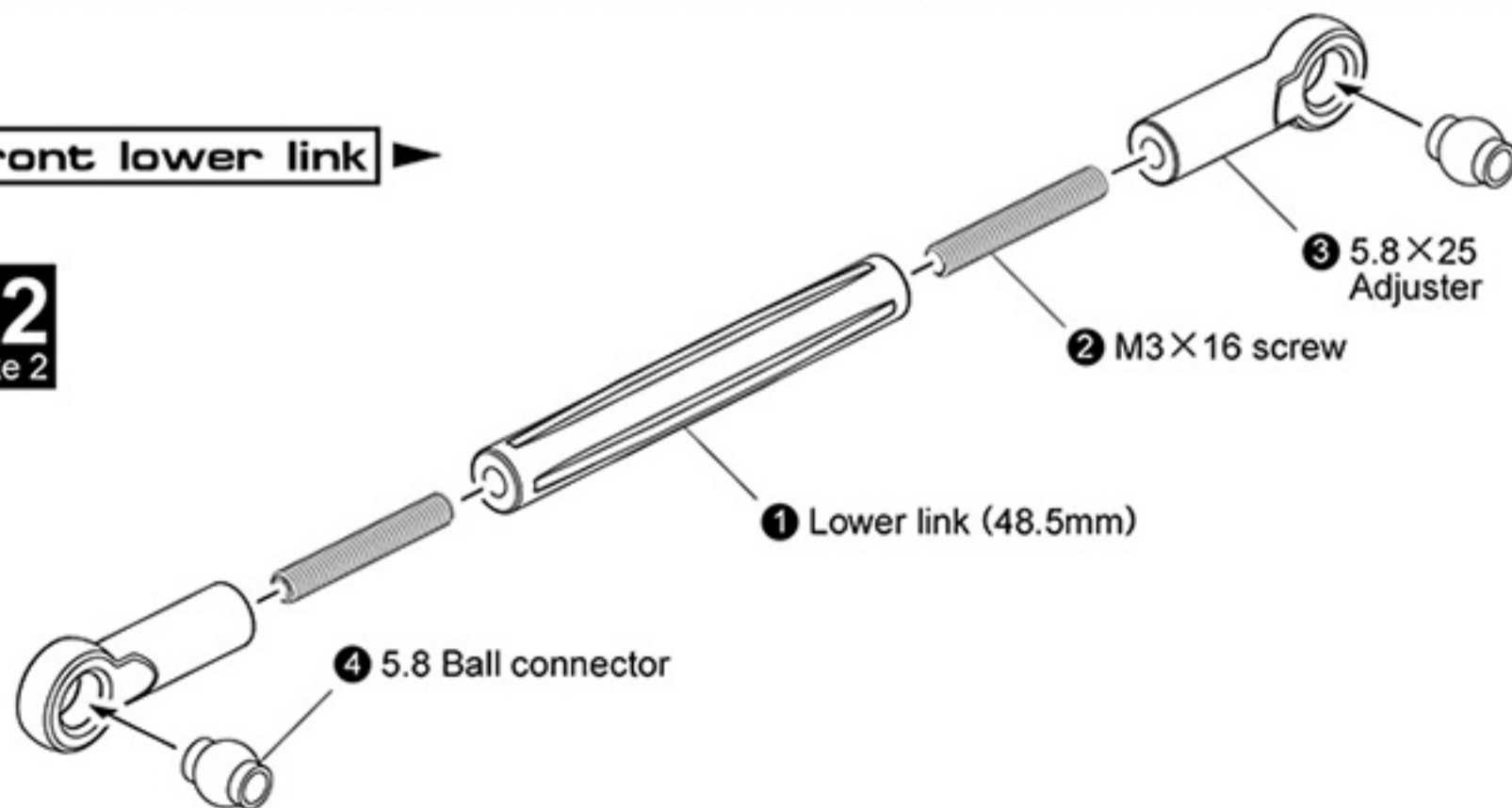
Rear upper link

X2
Make 2



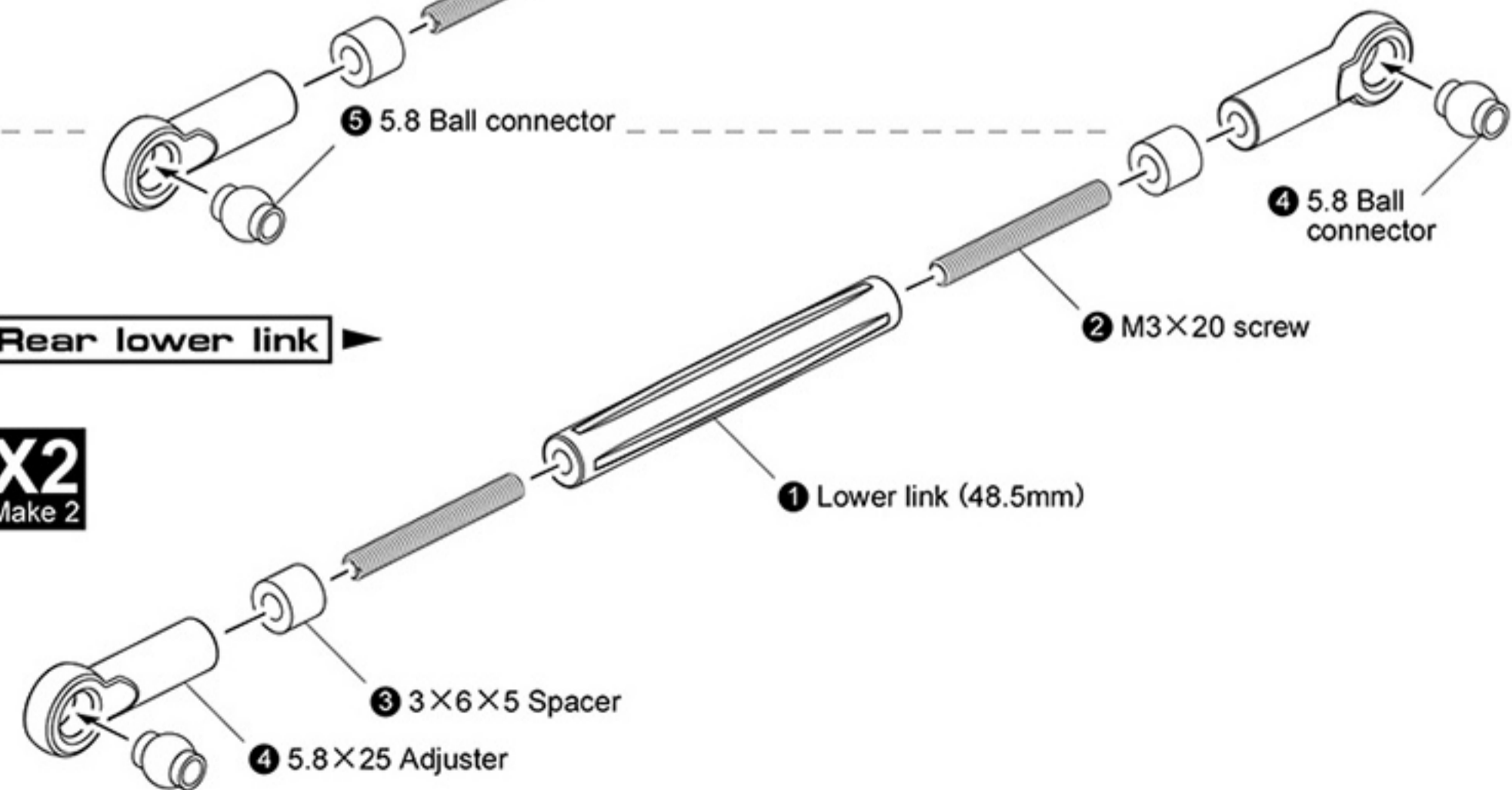
Front lower link

X2
Make 2



Rear lower link

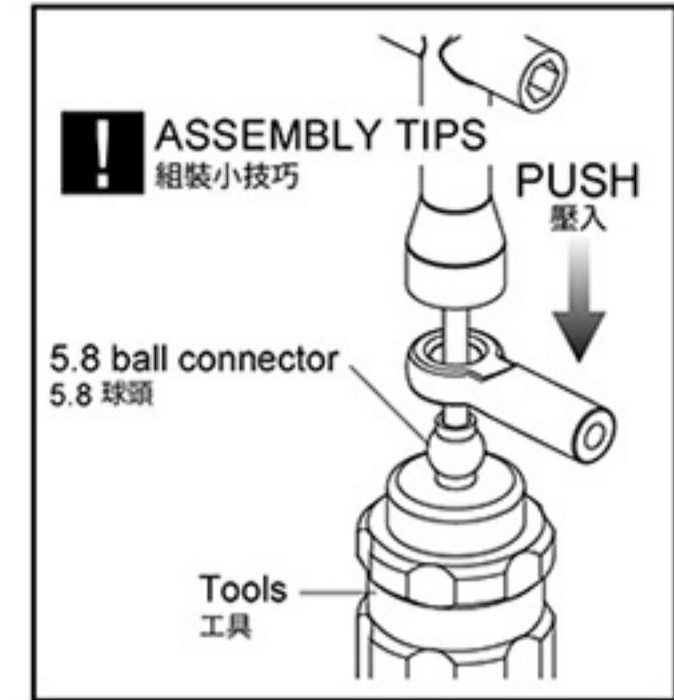
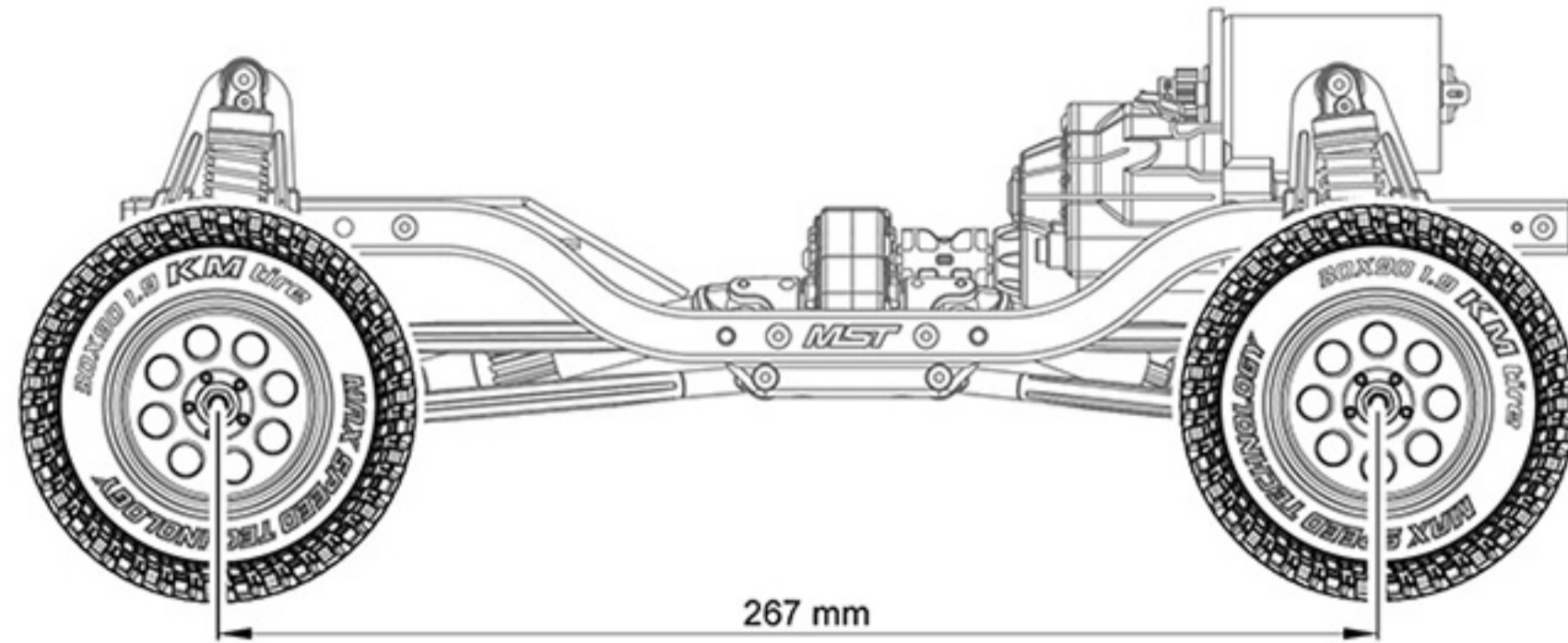
X2
Make 2



LINKS For 267 wheelbase
拉桿組

FORD Bronco	242 mm
TOYOTA LC40	252 mm
M-BENZ Unimog 406	242 mm
TOYOTA FJ	267 mm

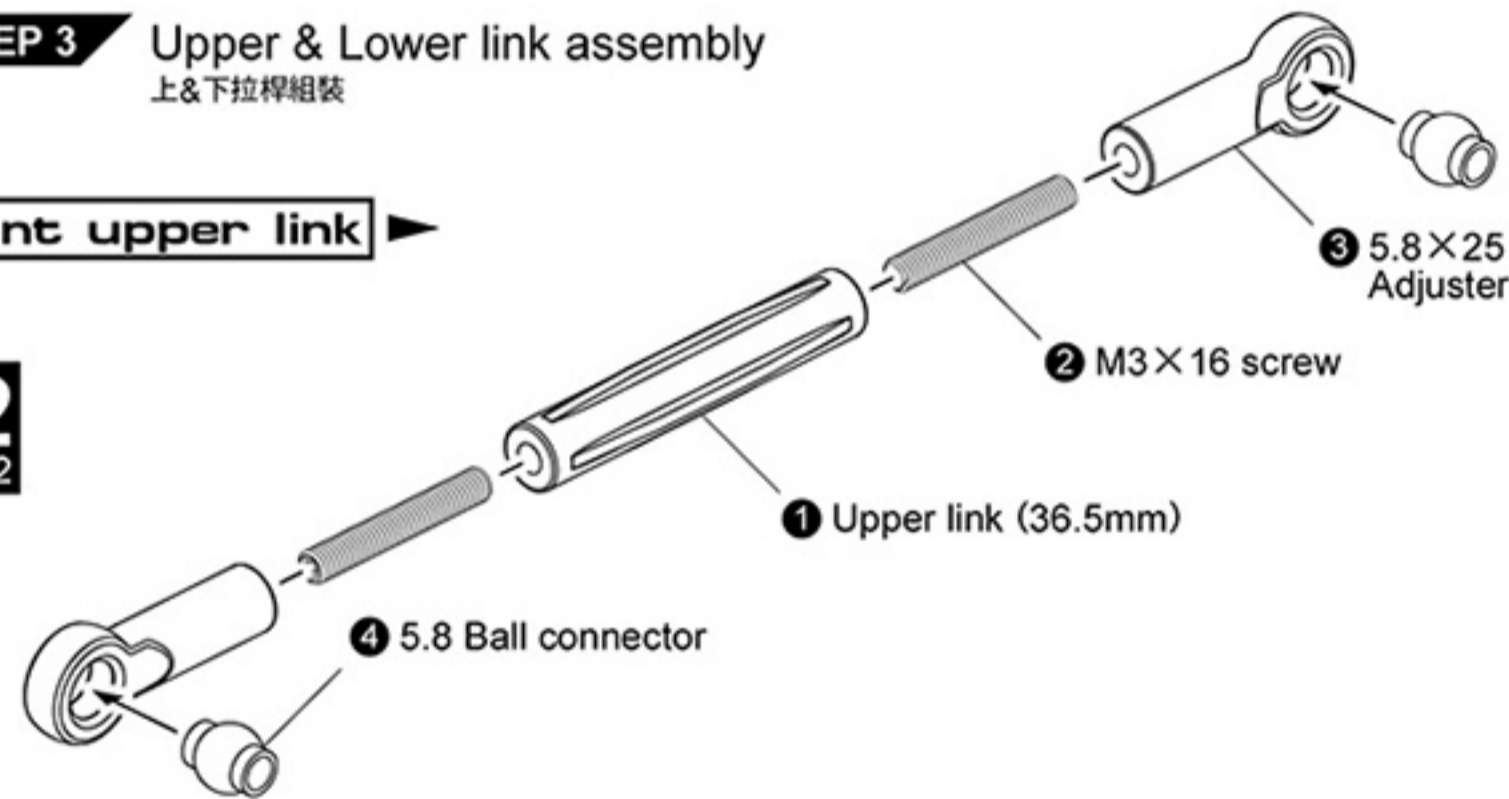
※ Please follow the link assembly for wheelbase.
(242/ 252/ 267mm)
請依軸距組裝所需拉桿。(242mm/ 252mm/ 267mm)



STEP 3 Upper & Lower link assembly
上&下拉桿組裝

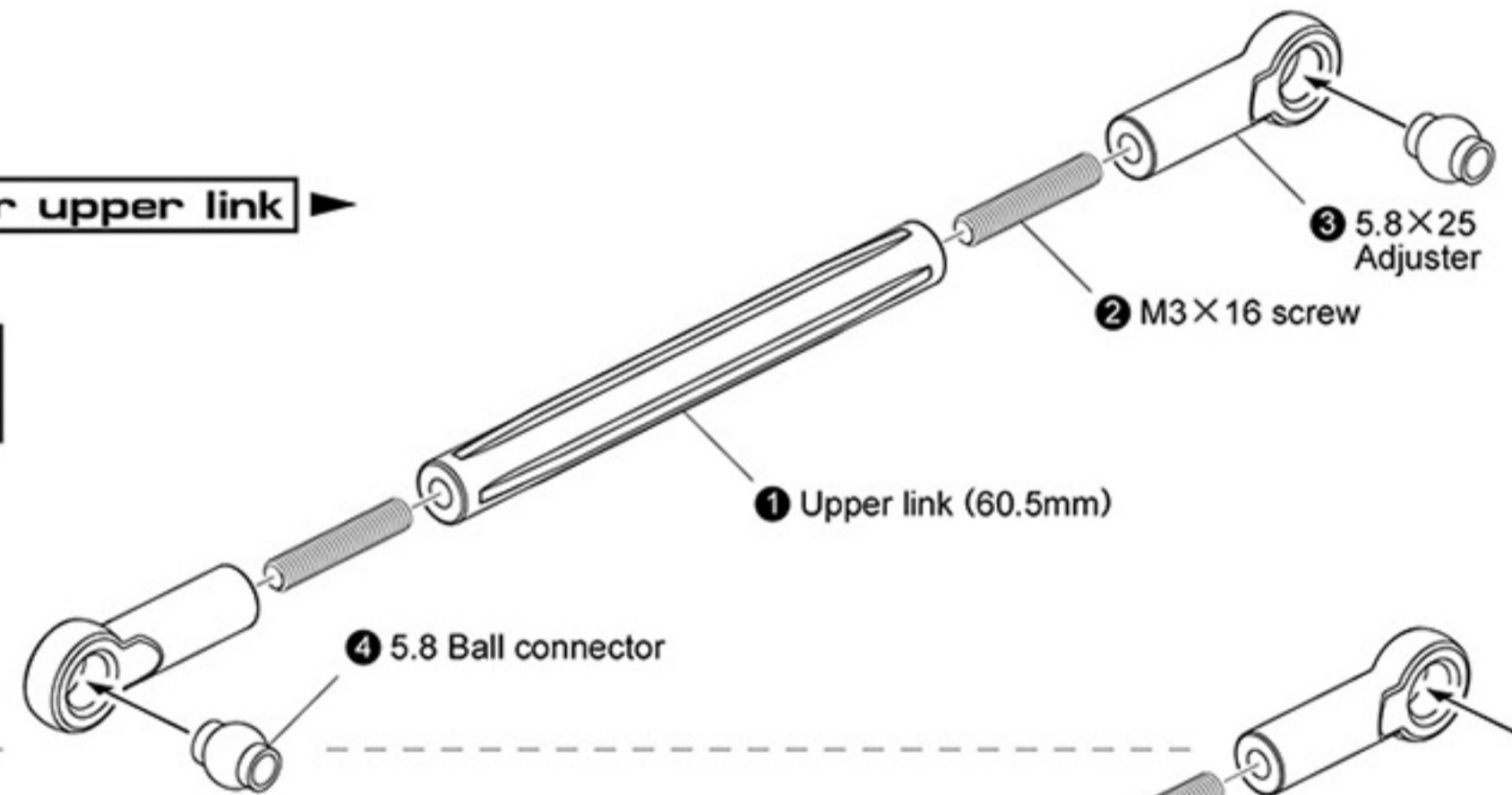
Front upper link

X2
Make 2



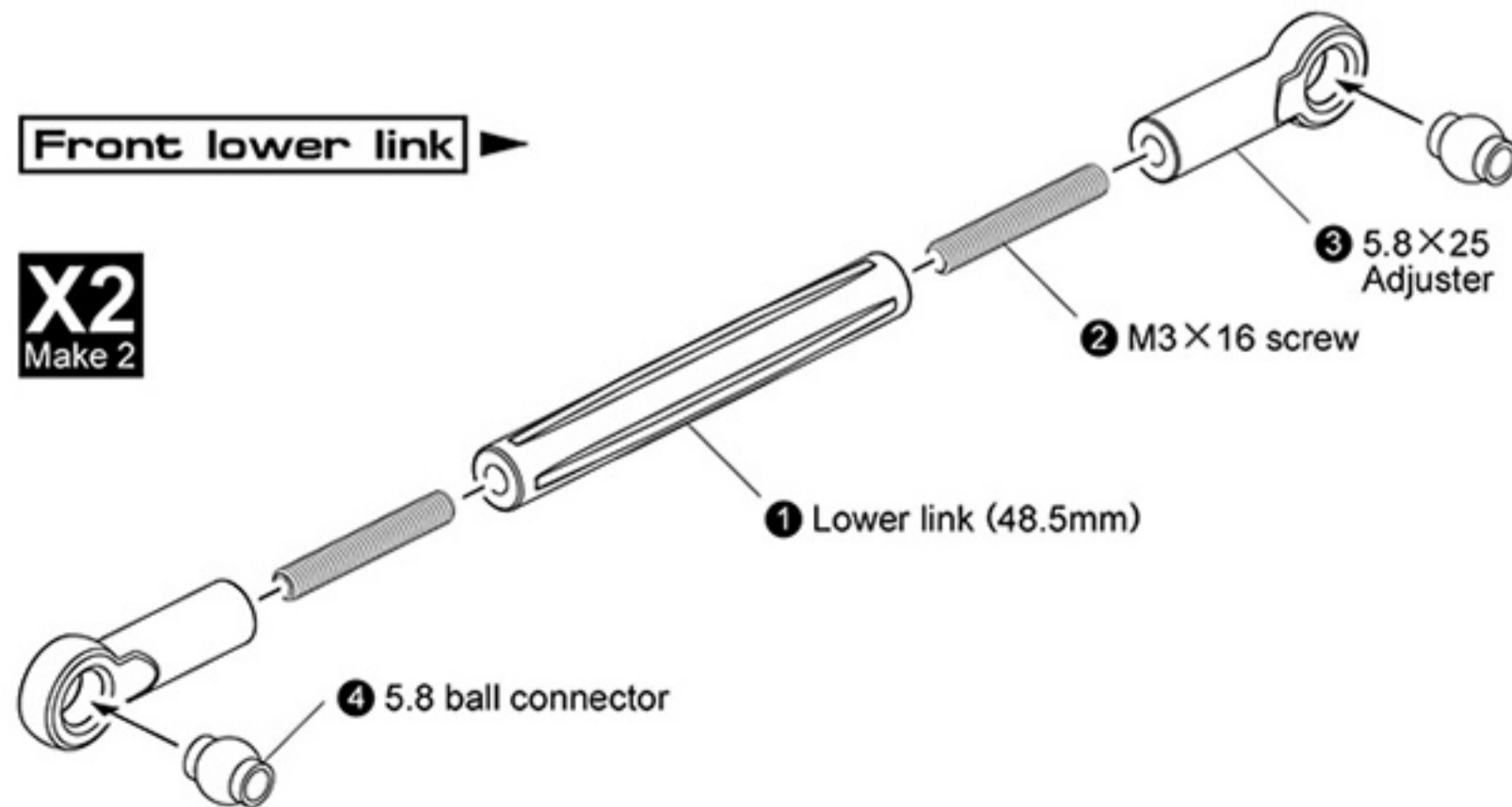
Rear upper link

X2
Make 2



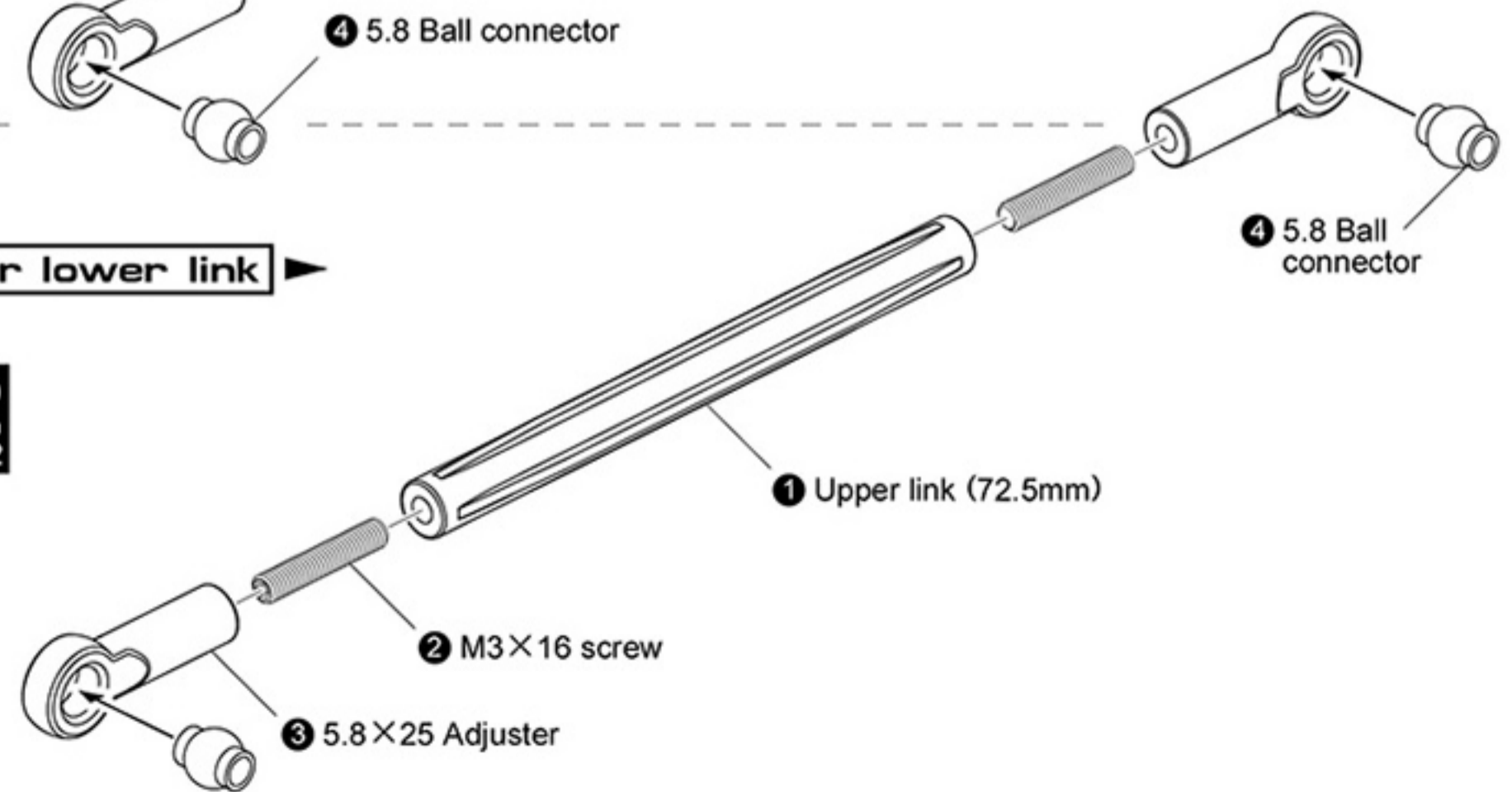
Front lower link

X2
Make 2

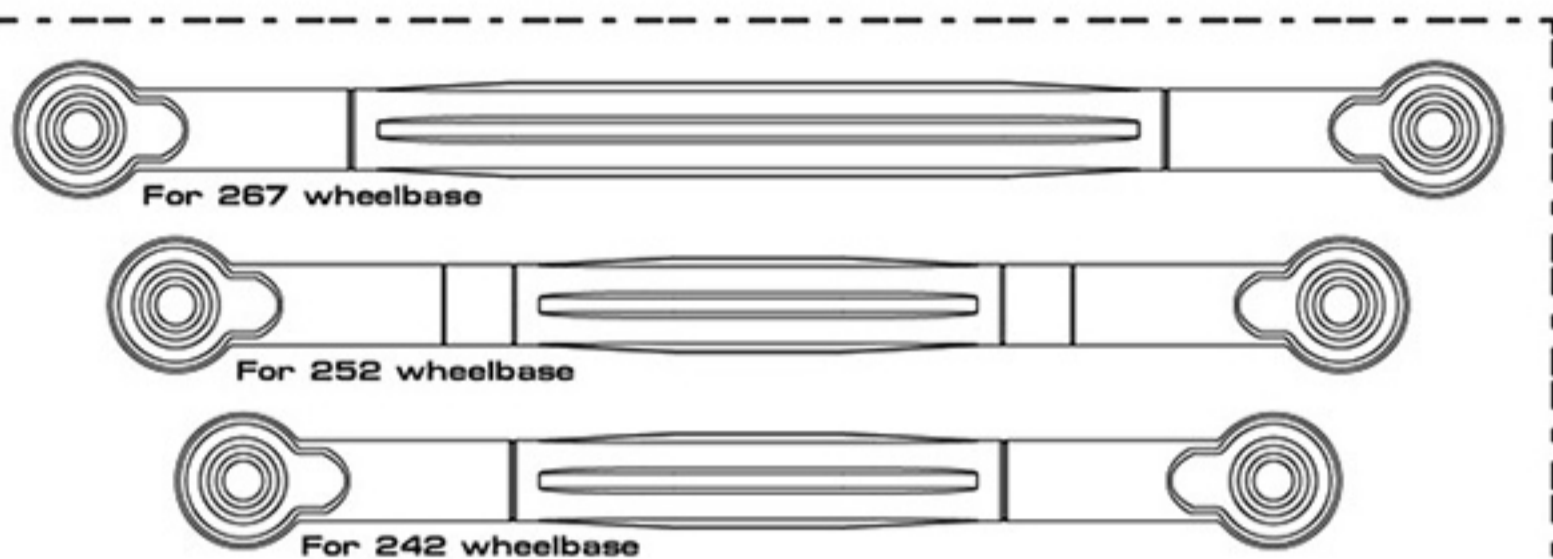


Rear lower link

X2
Make 2

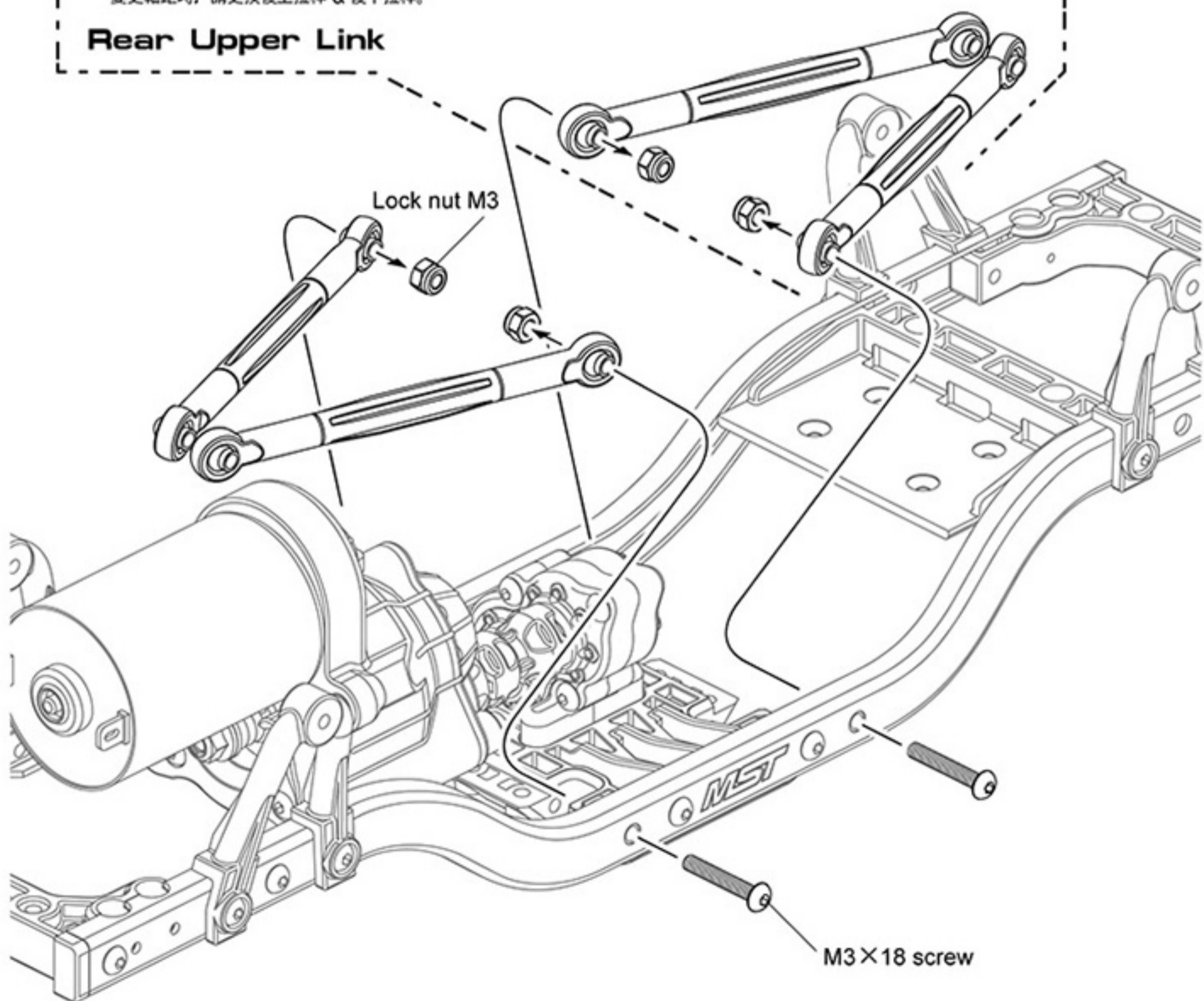


STEP 4 Attaching upper link
安裝上拉桿

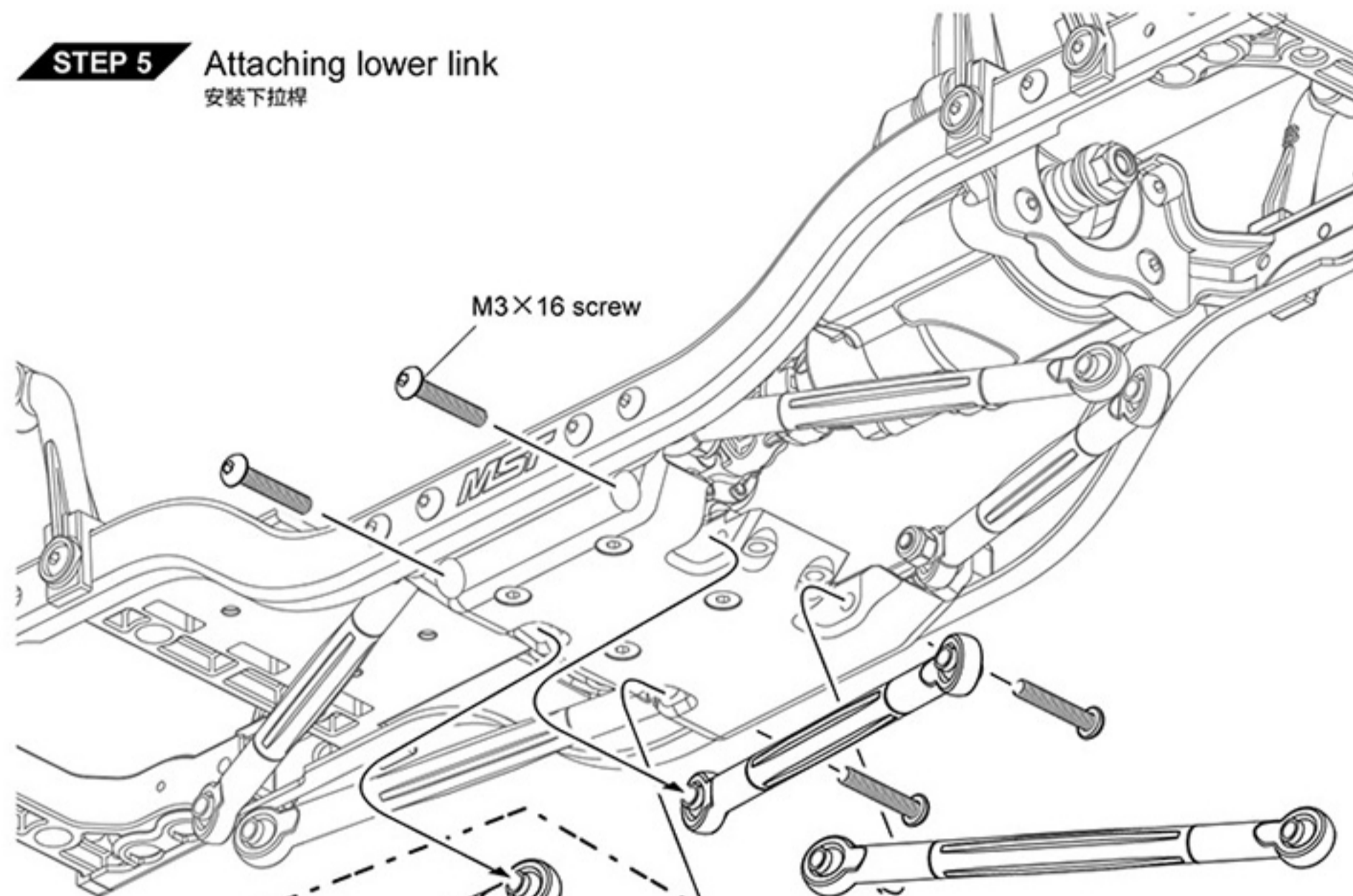


※ Please change the rear upper & lower links for different wheelbase.
變更軸距時，請更換後上拉桿 & 後下拉桿。

Rear Upper Link

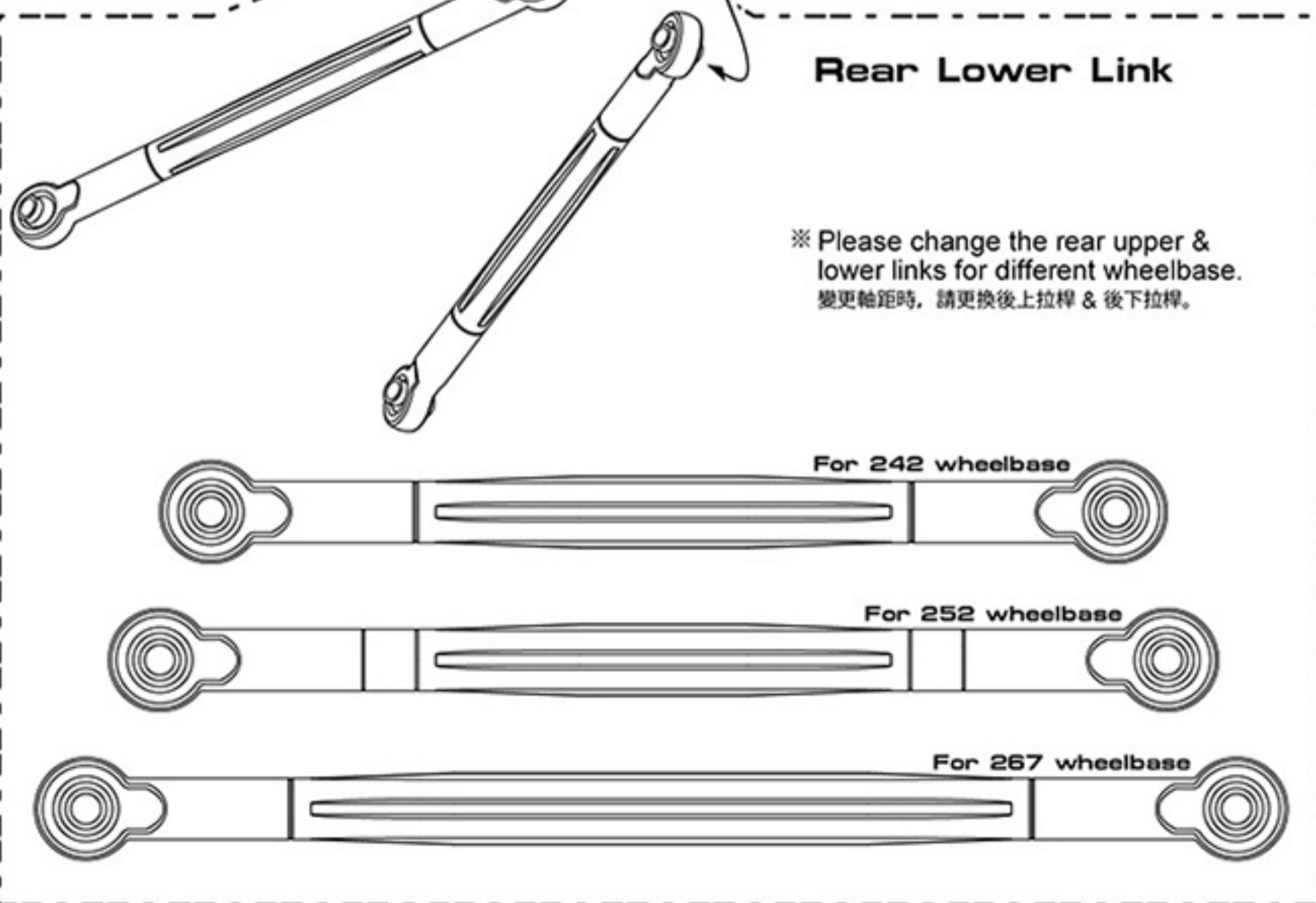


STEP 5 Attaching lower link
安裝下拉桿



Rear Lower Link

※ Please change the rear upper & lower links for different wheelbase.
變更軸距時，請更換後上拉桿 & 後下拉桿。



M2×6 screw ×1
圓頭螺絲

M2×16 screw ×3
圓頭螺絲

M3×8 screw ×4
沉頭螺絲

M3×6 screw ×4
圓頭螺絲

M3×8 screw ×6
圓頭螺絲

M3×10 screw ×5
圓頭螺絲

M3×14 screw ×1
圓頭螺絲

M3×16 screw ×1
圓頭螺絲

M3×18 screw ×4
圓頭螺絲

M3×20 screw ×1
圓頭螺絲

King pin screw ×4
大王螺絲

2.6×10 Screw ×1
自攻螺絲

2×9.8 Shaft ×4
插銷

Lock nut M3 ×3
防鬆螺帽

3×6×0.5 spacer ×4
墊片

3×8×0.5 spacer ×1
墊片

5×10×4 Bearing ×7
軸承

8×12×3.5 Bearing ×1
軸承

10×15×4 Bearing ×2
軸承

G-clip 10.0 ×2
G扣

Bevel gear shaft ×1
傘齒軸

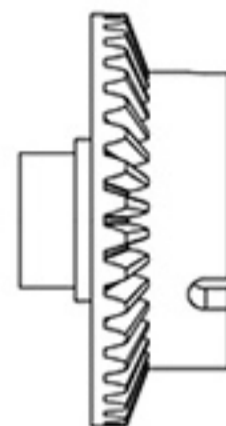
Wheel axle ×2
萬向接杯

Link mount ×1
上拉桿座

CVA axle ×2
輪軸



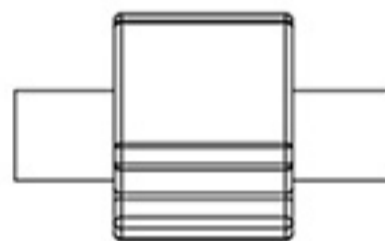
Bevel gear 15T ×1
小傘齒



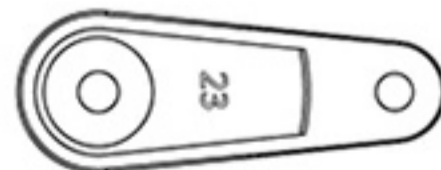
Bevel gear 36T ×1
大傘齒



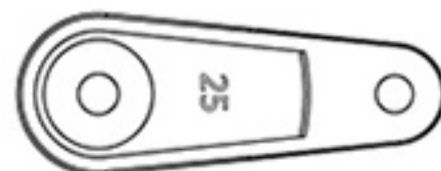
Bevel gear case ×1
大傘齒殼



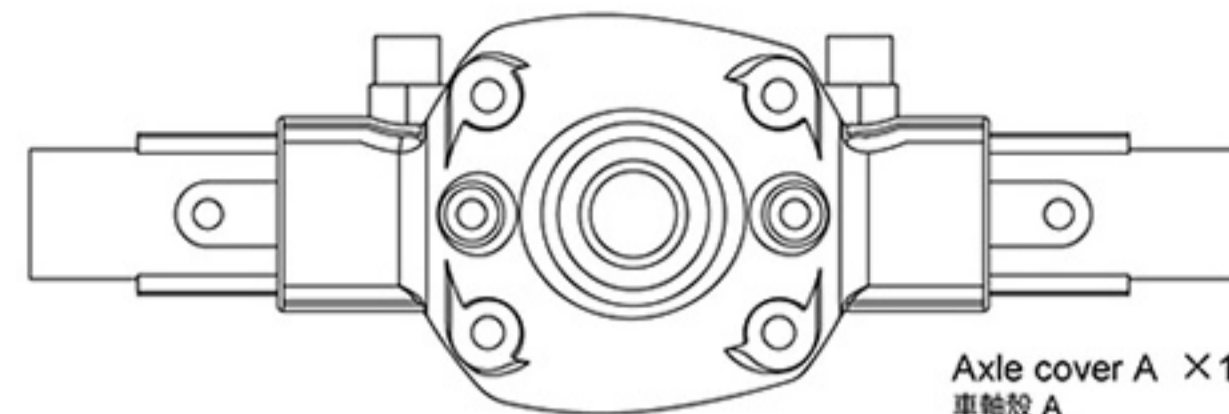
Heavy Duty Locker ×1
直軸連接座



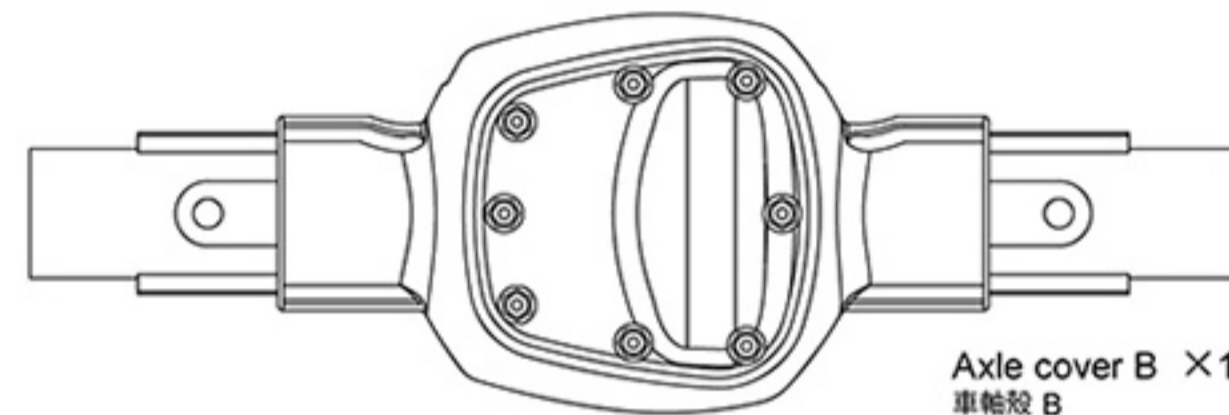
23T Servo horn ×1
伺服機片



25T Servo horn ×1
伺服機片



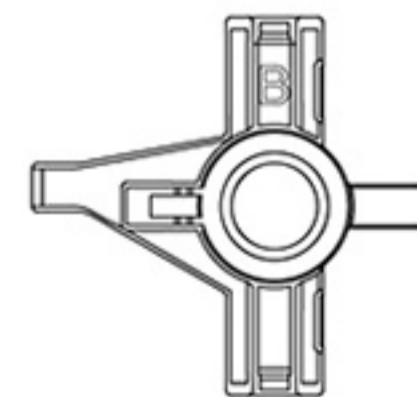
Axle cover A ×1
車軸殼 A



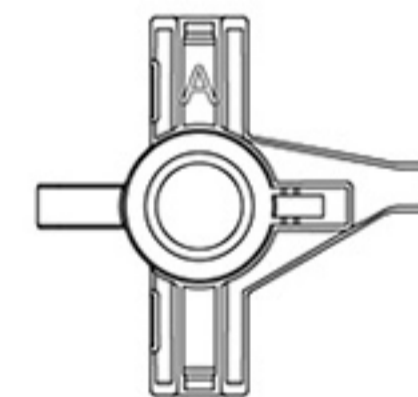
Axle cover B ×1
車軸殼 B



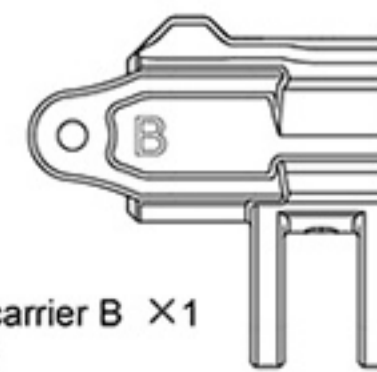
Servo holder ×1
伺服機底座



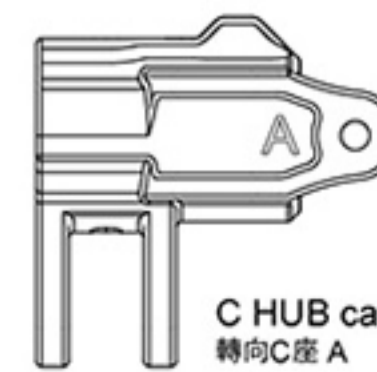
Knuckle B ×1
轉向座



Knuckle A ×1
轉向座

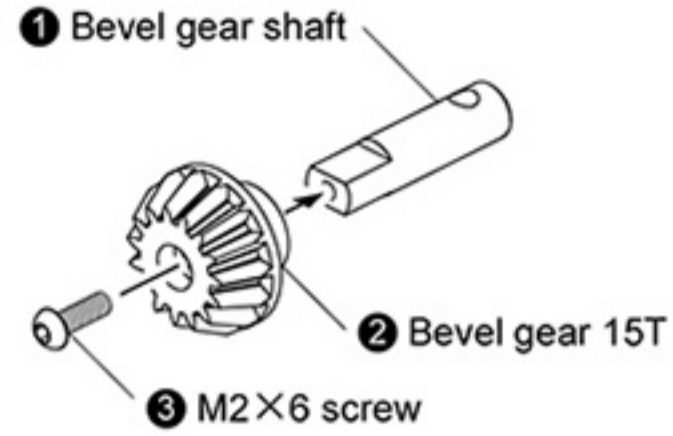


C HUB carrier B ×1
轉向C座 B

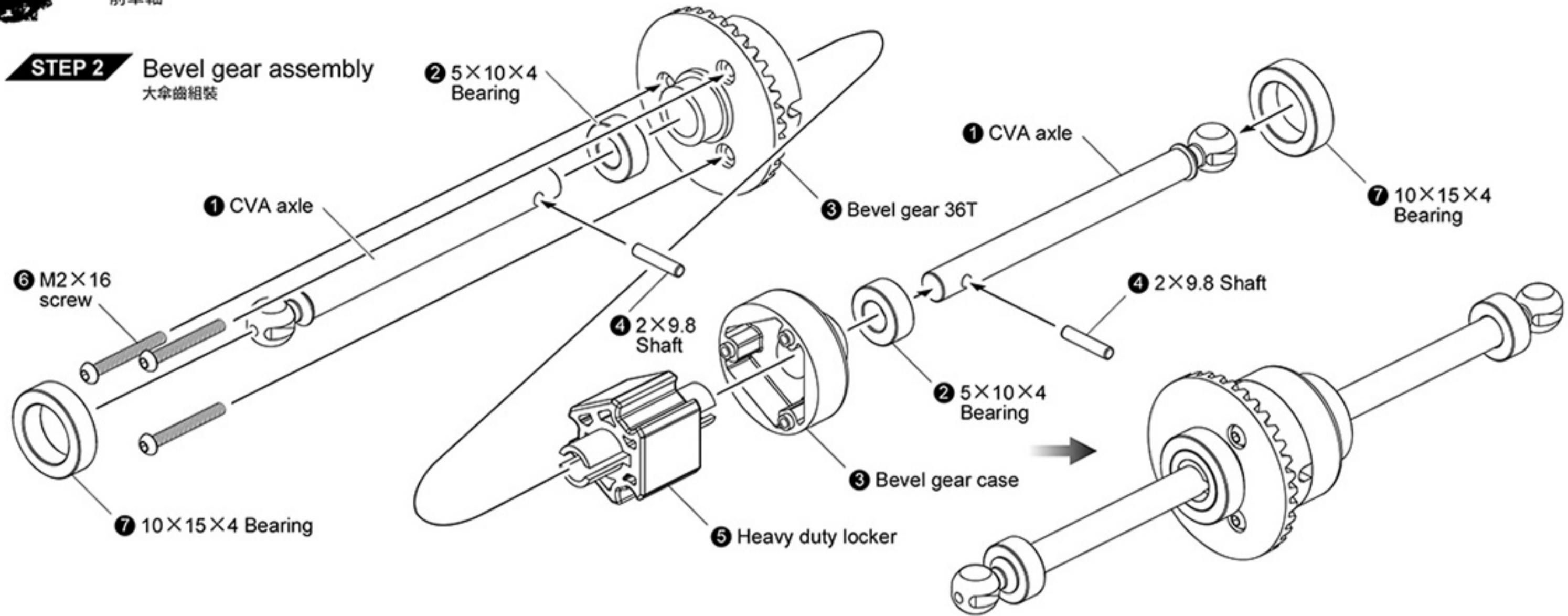


C HUB carrier A ×1
轉向C座 A

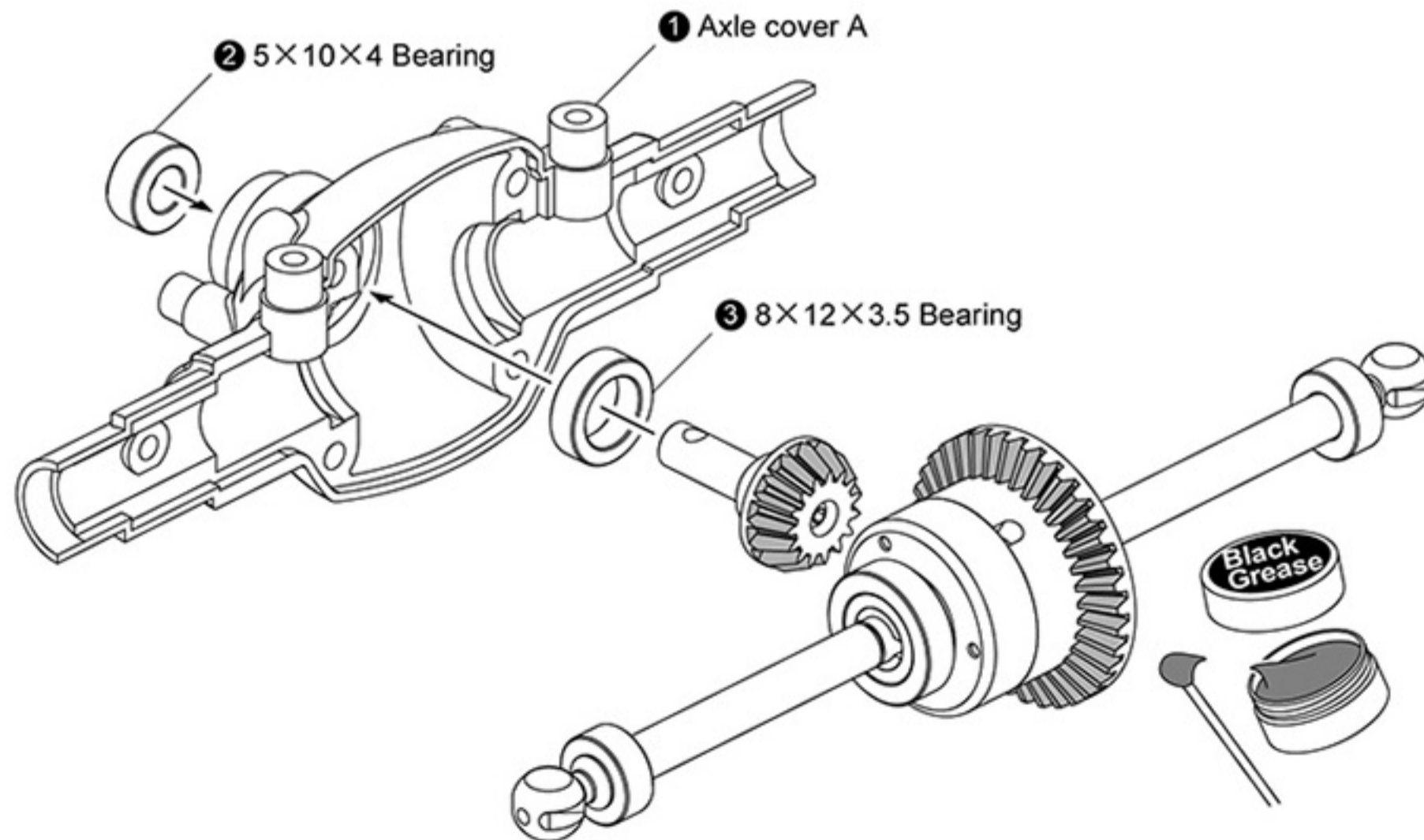
STEP 1 Bevel gear assembly
小傘齒組裝



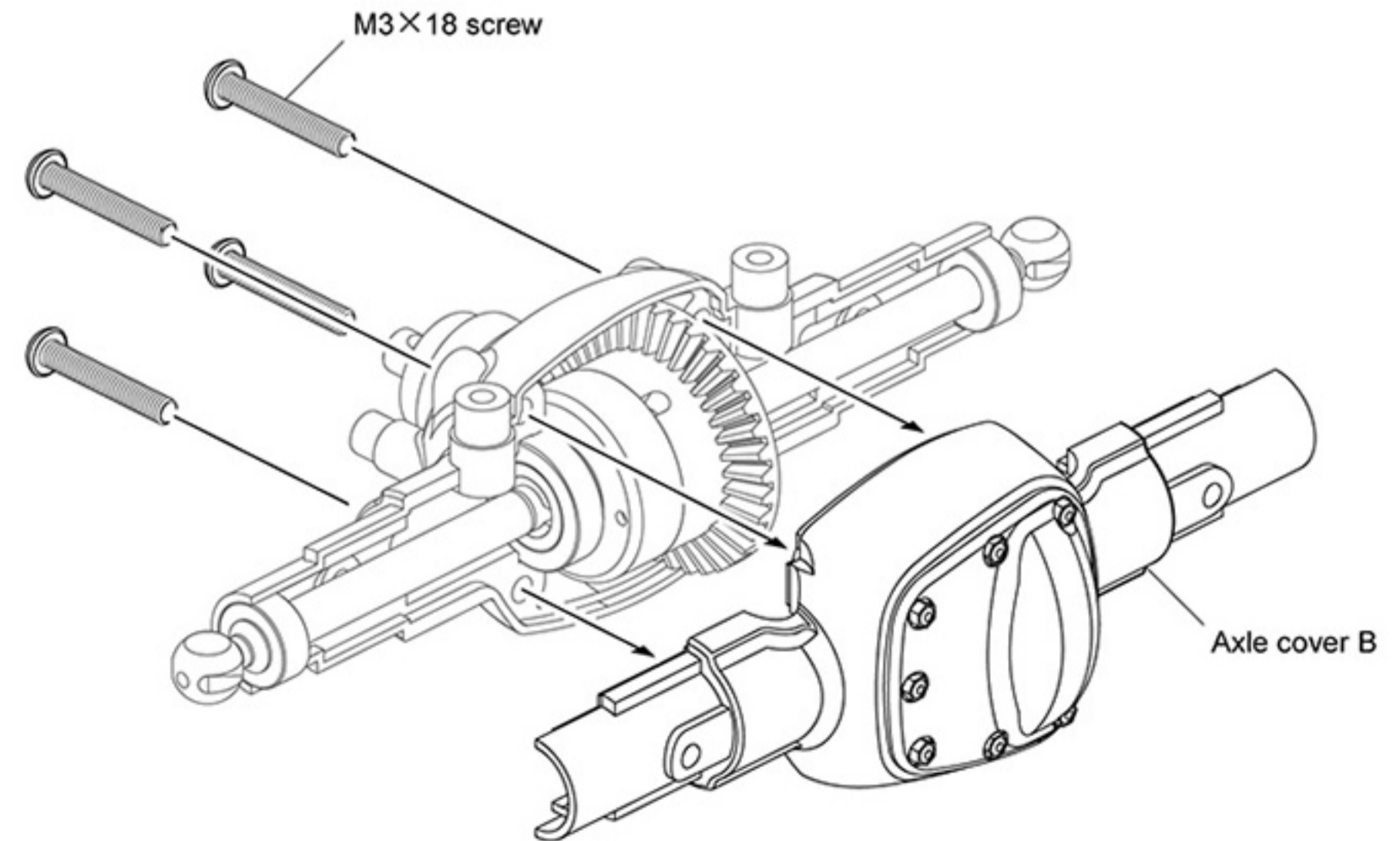
STEP 2 Bevel gear assembly
大傘齒組裝



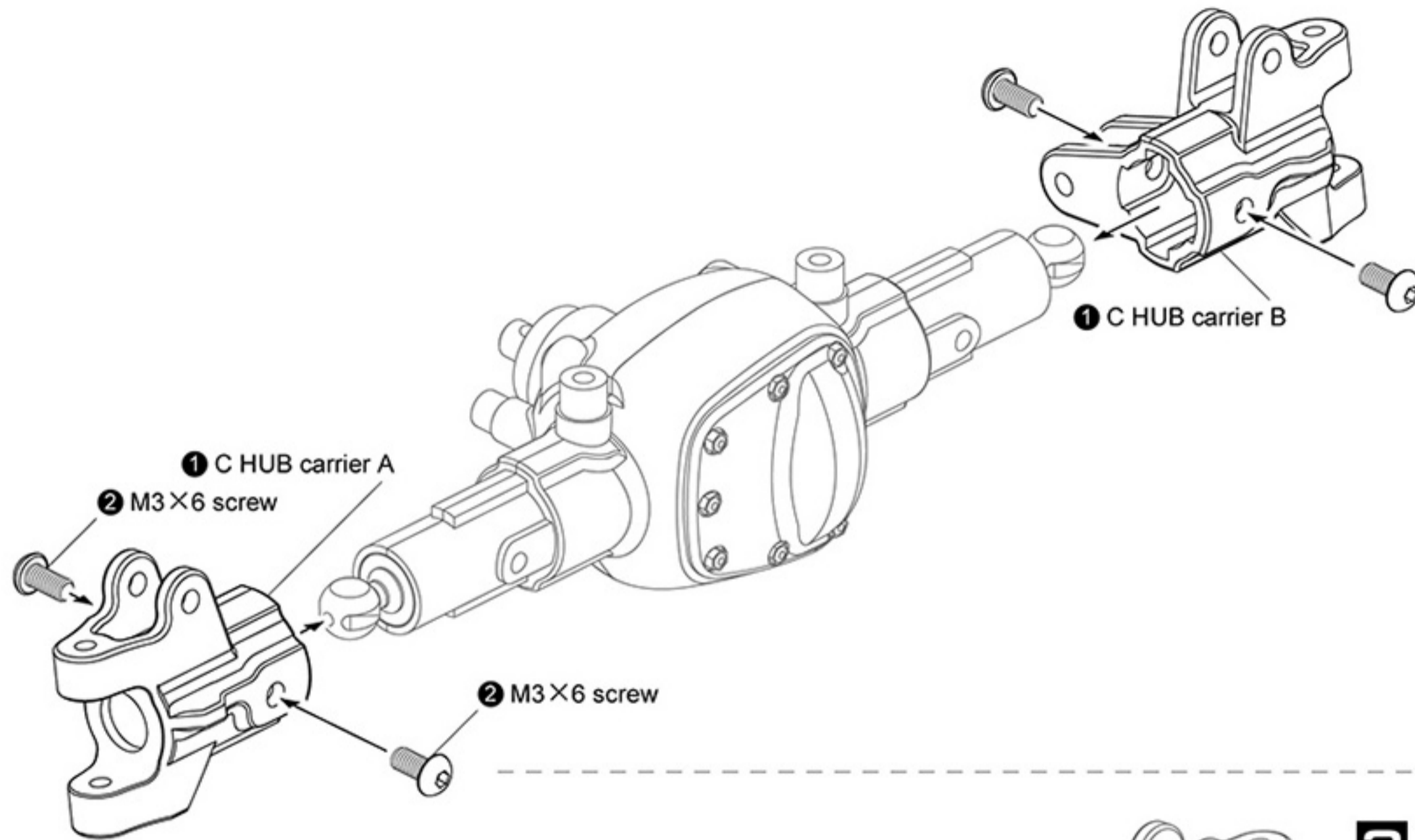
STEP 3 Attaching bevel gear
安裝傘齒



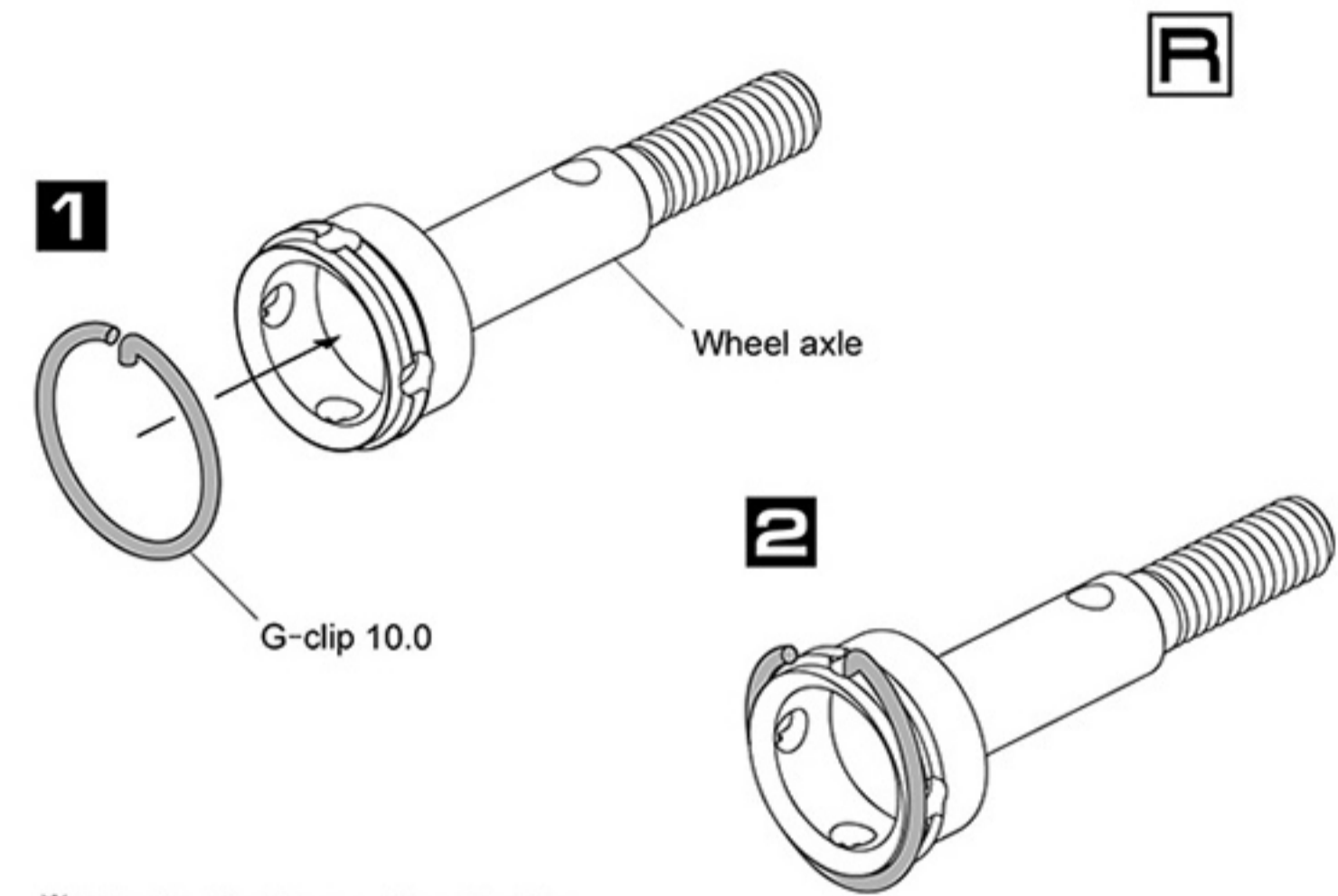
STEP 4 Axle cover assembly
車輪殼組裝



STEP 5 C HUB carrier assembly
C座組裝



STEP 6 Wheel axle assembly
萬向接杯組裝



※ Note the G-clip mounting direction.
注意G扣安裝方向

