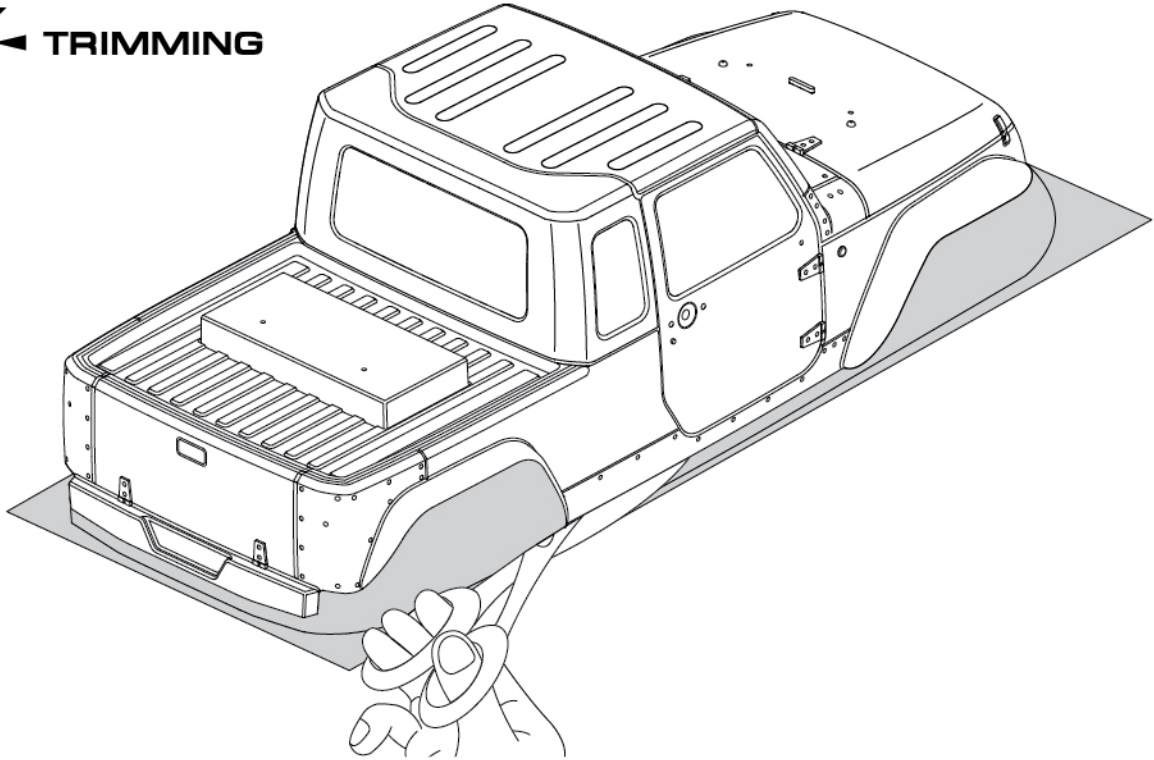


JP1 BODY

WHEELBASE : 313MM
FOR CFX-W SERIES

1

◀ TRIMMING



Make 5.5mm holes

Make 2mm holes

Make 5.5mm holes

Make 2.5mm holes

Make 2.5mm holes

Make 5.5mm holes

Make 14.5mm holes

※ Please match the tail light mount in trimming.

2

◀ WASH THE BODY

※ Wash the body thoroughly with detergent in order to remove oil completely rinse and place to air dry.

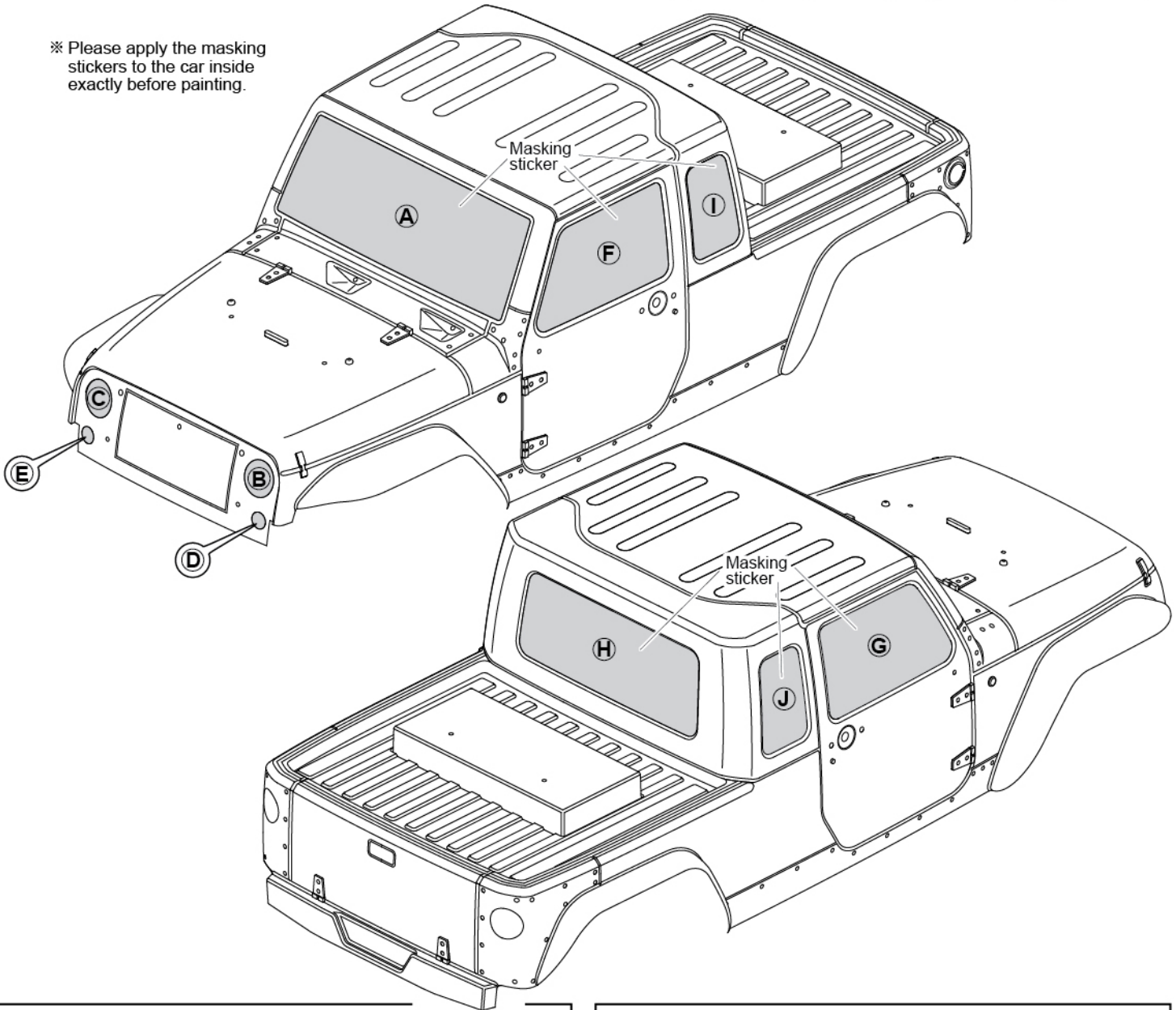


3

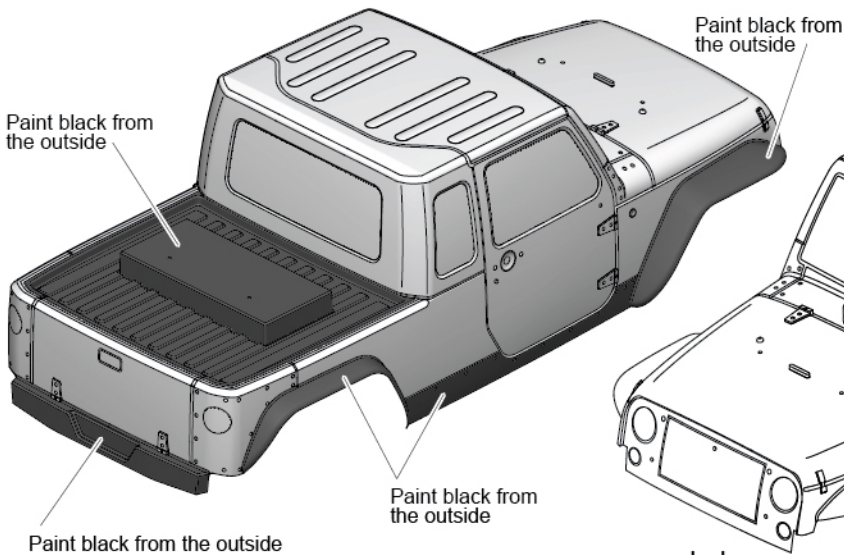
MASKING AND PAINTING



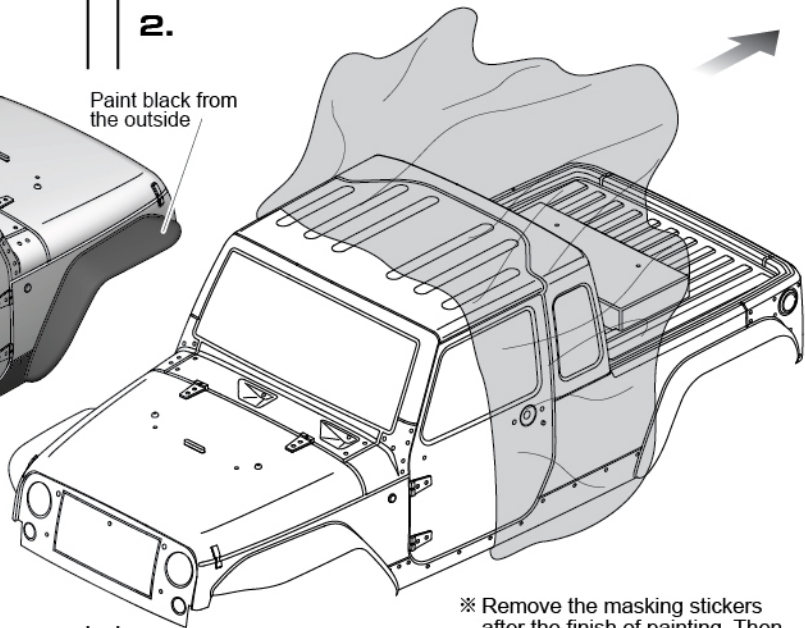
※ Please apply the masking stickers to the car inside exactly before painting.



1. Remove the black painting region masking

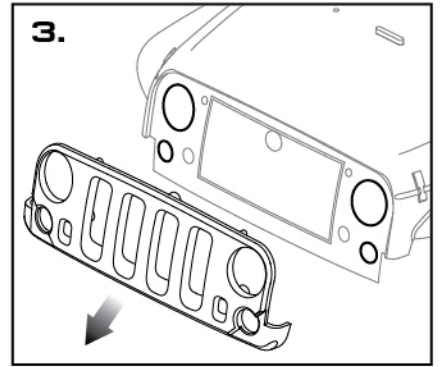
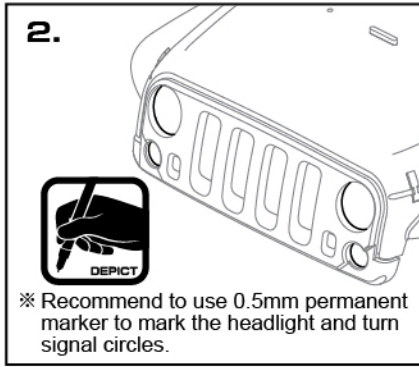
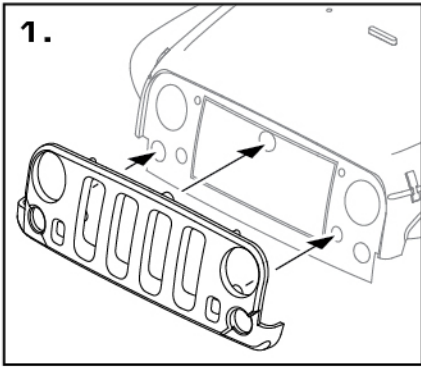


2.



4

MARKINGS

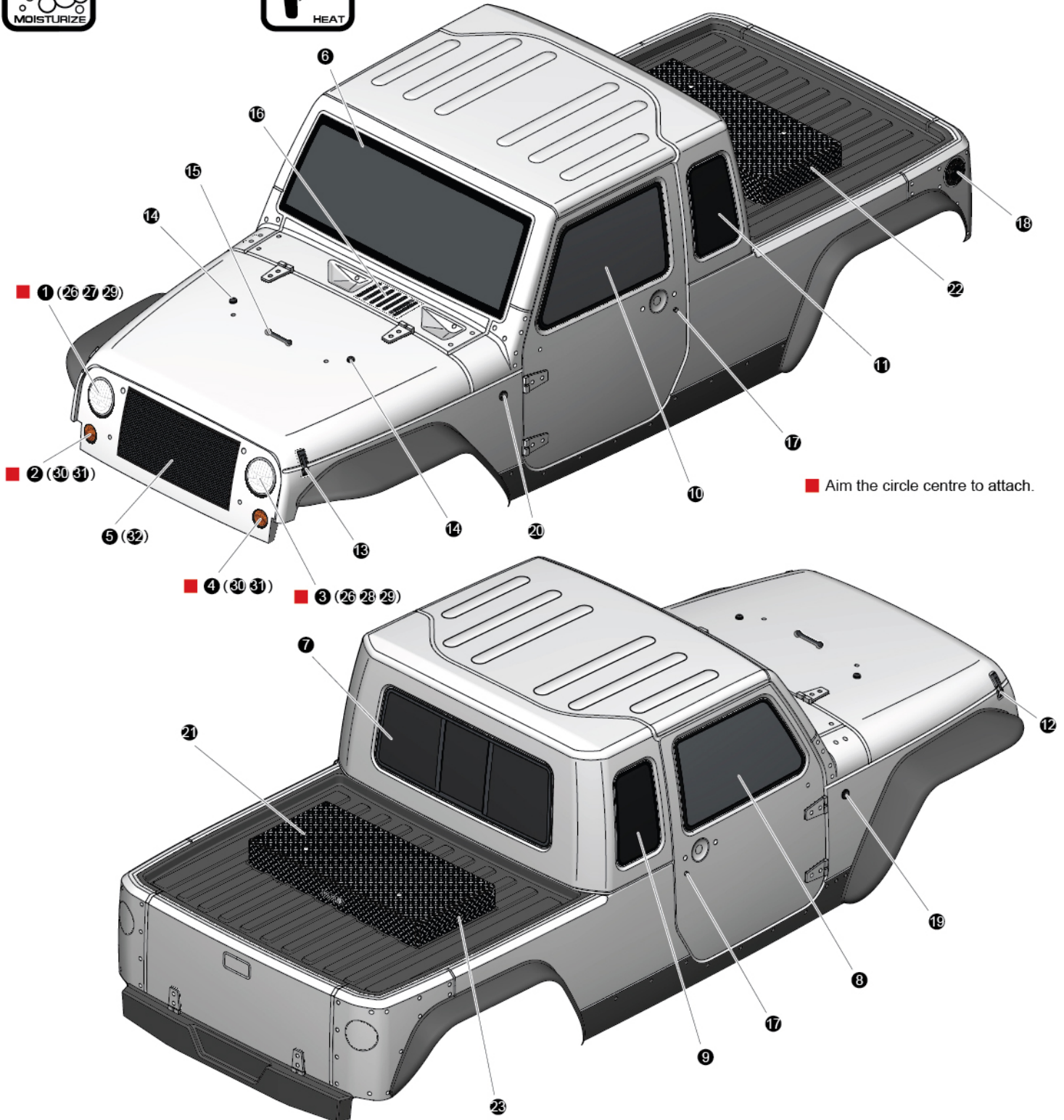


※ Please moisturize the sticker by the suds in advanced.



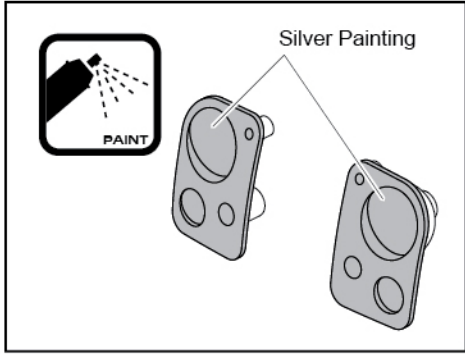
※ Then use a hair dryer for heating when sticking.

⚠ Apply stickers in numbered order.

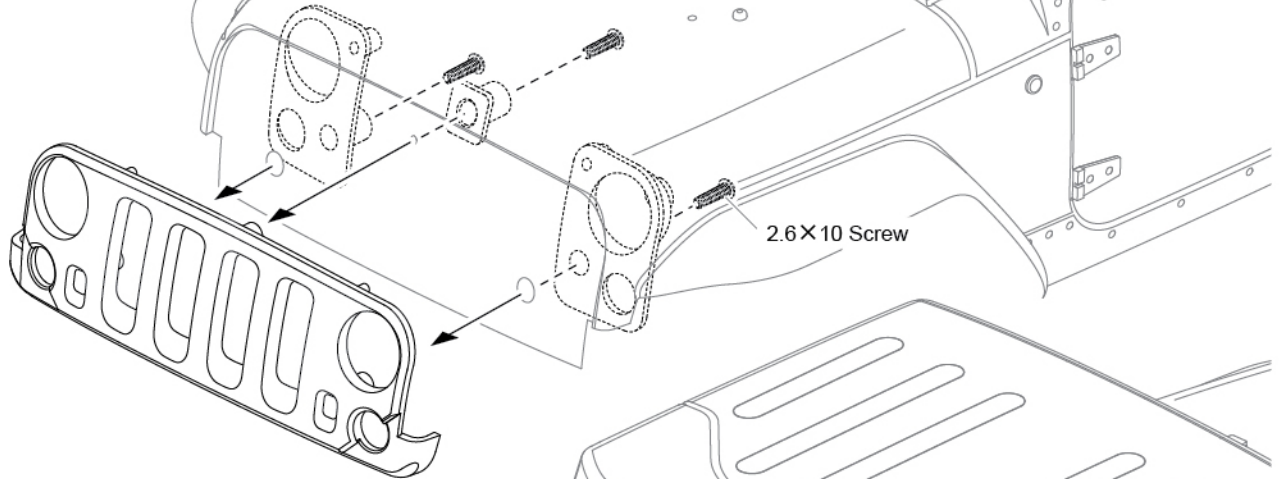


5

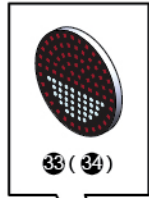
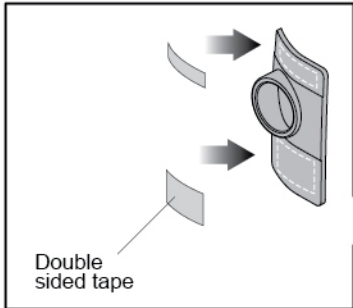
◀ MOUNTING ACCESSORIES



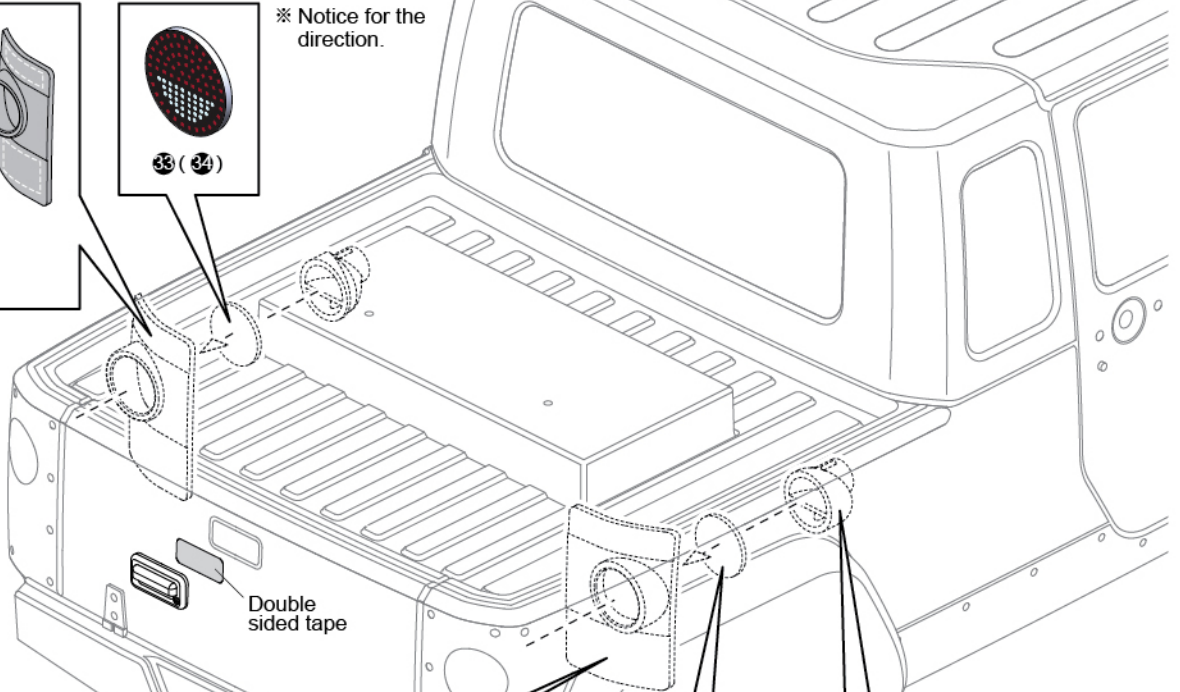
HEADLIGHT- R&L



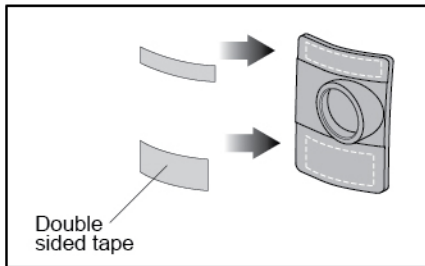
TAILLIGHT- L



※ Notice for the direction.

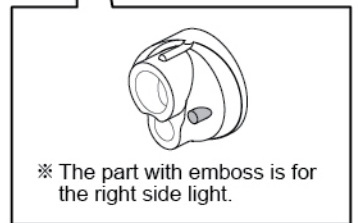
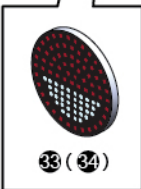


TAILLIGHT- R



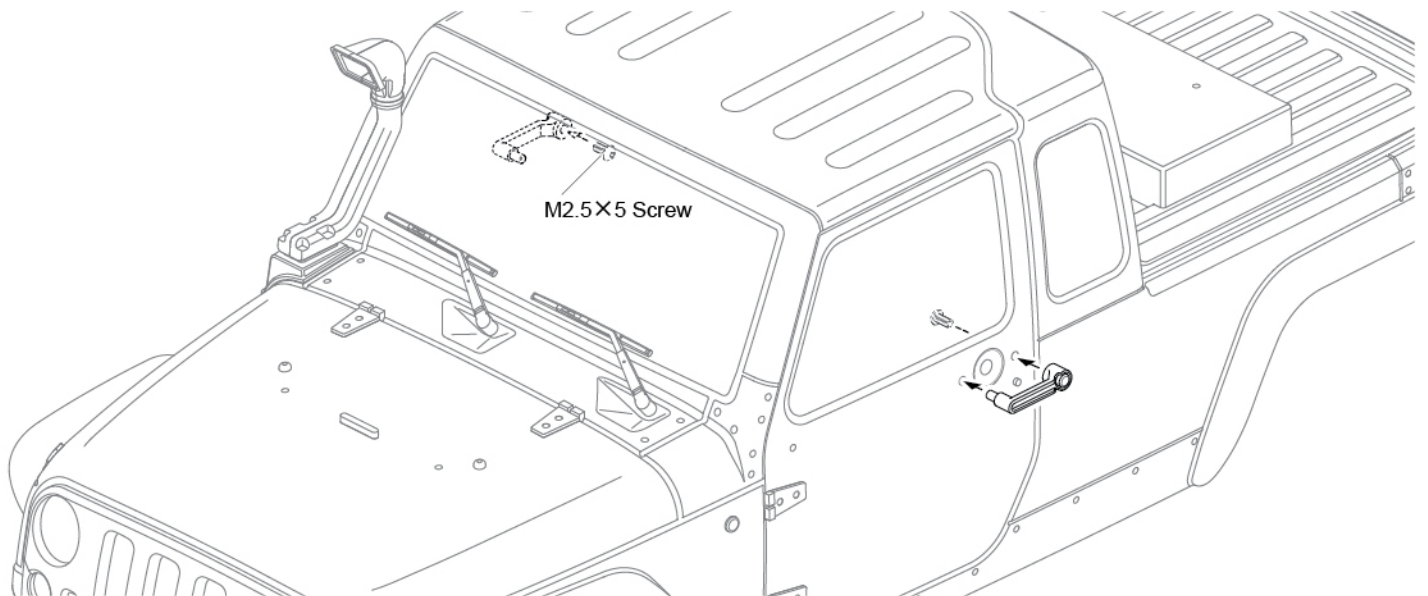
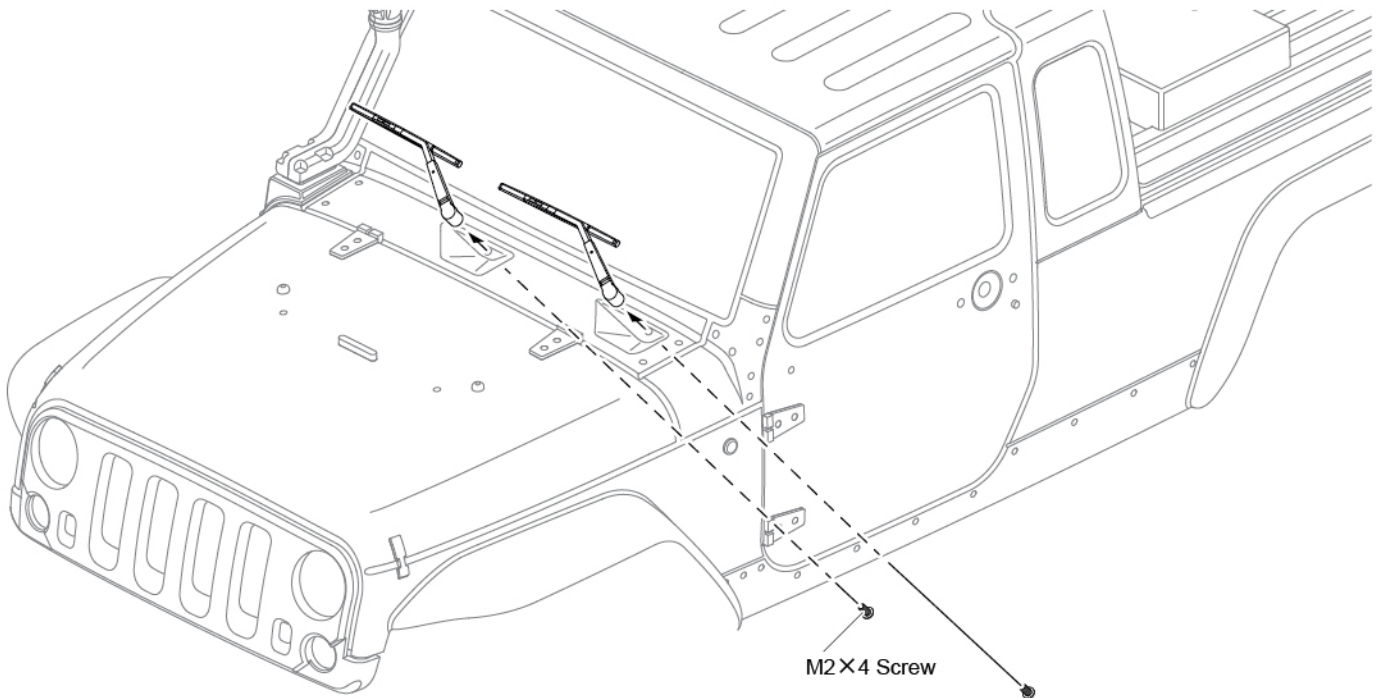
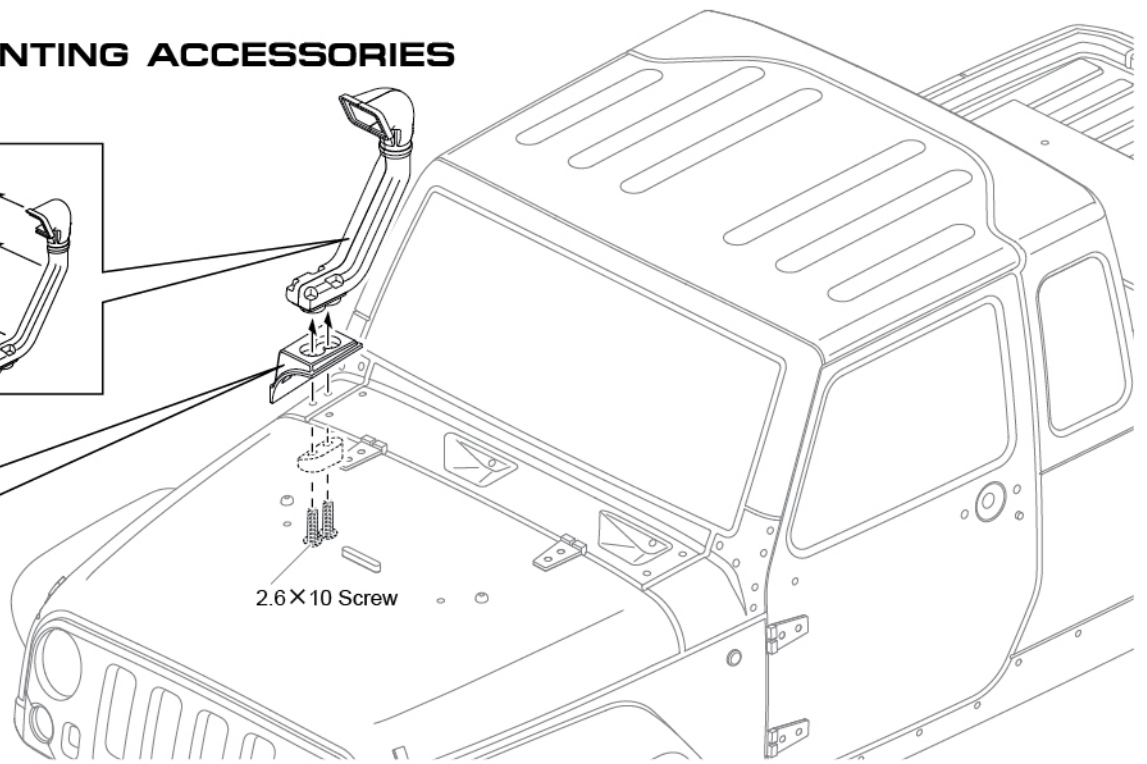
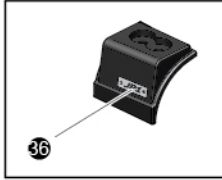
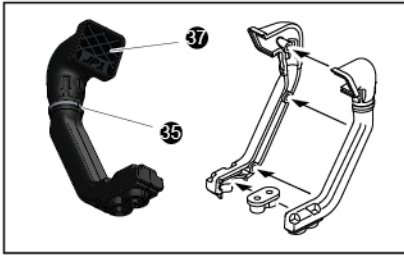
Attach the accessories from inside.

※ Notice for the direction.



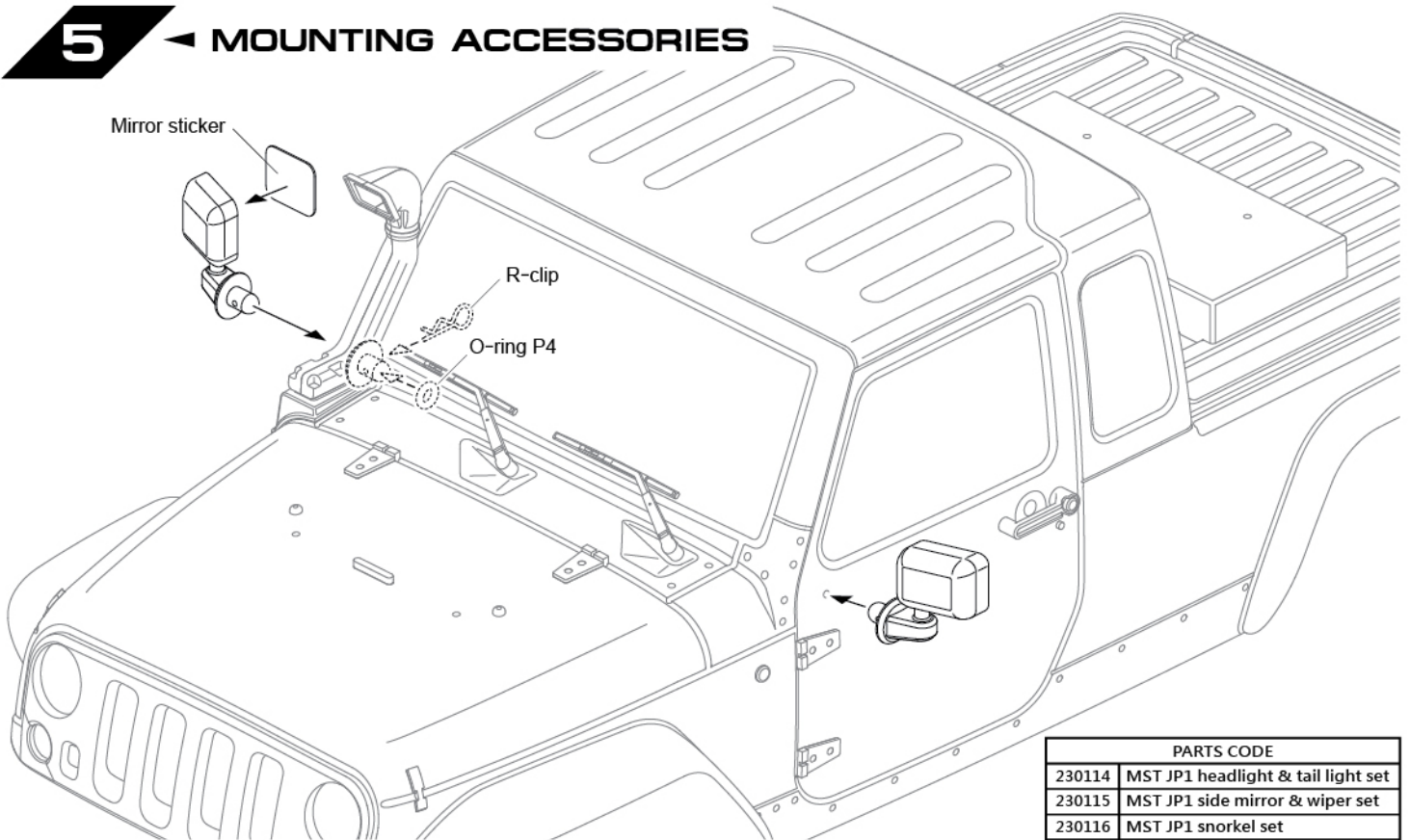
5

◀ MOUNTING ACCESSORIES



5

◀ MOUNTING ACCESSORIES



6

◀ ATTACHING BODY

