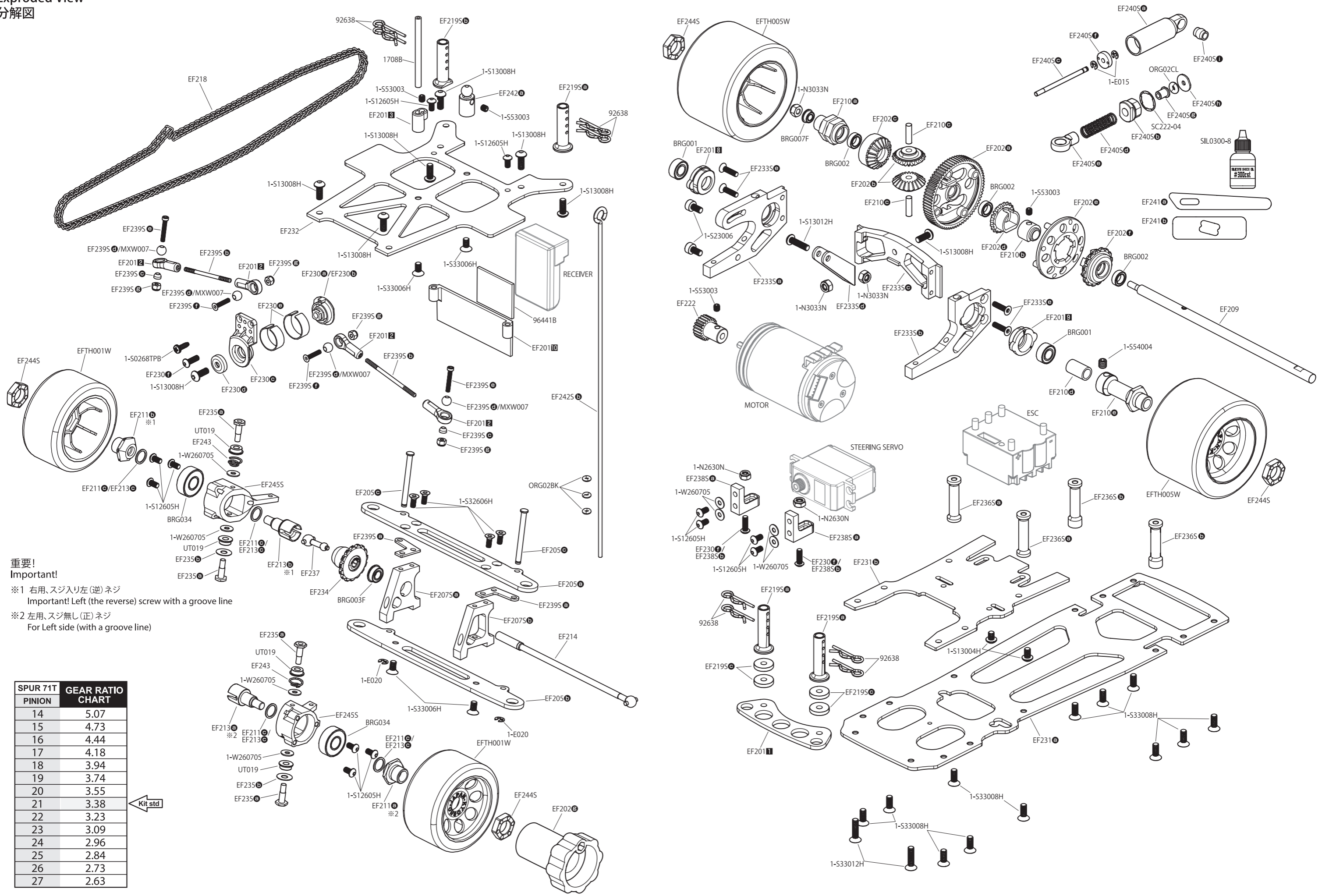


Exproded View
分解図



重要!
Important!

※1 右用、スジ入り左(逆)ネジ
Important! Left (the reverse) screw with a groove line

※2 左用、スジ無し(正)ネジ
For Left side (with a groove line)

SPUR 71T PINION	GEAR RATIO CHART
14	5.07
15	4.73
16	4.44
17	4.18
18	3.94
19	3.74
20	3.55
21	3.38
22	3.23
23	3.09
24	2.96
25	2.84
26	2.73
27	2.63

Kit std