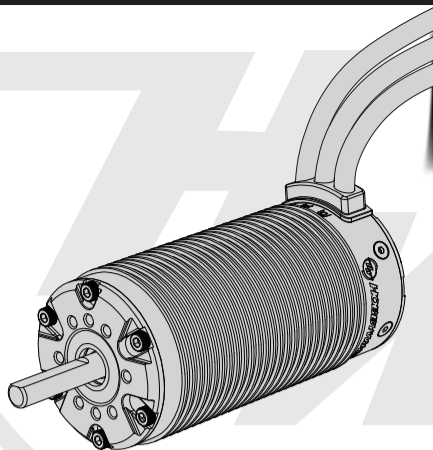


EZRUN USER MANUAL

Sensorless Brushless Motor
EZRUN 4985/5687/56113



20181025



Thank you for purchasing the EZRUN 4985/5687/56113, HOBBYWING's high performance sensorless brushless motor! Brushless power systems can be very dangerous, any improper use may cause personal injury and damage to the product and related devices. We strongly recommend reading through this user manual before use. Because we have no control over the use, installation, or maintenance of this product, no liability may be assumed for any damages or losses resulting from the use of this product. We do not assume responsibility for any losses caused by unauthorized modifications to our product.

01 Warnings



- Never leave this product unsupervised when it is powered on.
- Ensure all wires and connections are well insulated before connecting the motor to related devices, as short circuit will damage your motor.
- Read through the manuals of all power devices and chassis and ensure the power configuration is rational before using this unit.
- Never hit full throttle before installing the pinion, as high speed rotation may cause damage to the motor in circumstances of no load.
- Ensure all devices are well connected, in order to prevent poor connection that may cause your vehicle to lose control or other unpredictable issues such as damage to the device.
- Stop using the motor when its shell temperature exceeds 100°C/212°F; otherwise the rotor may be demagnetized and cause irreversible damage to your motor.

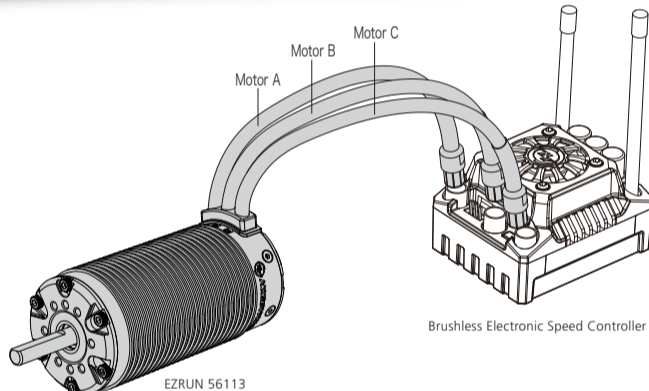
02 Features

- 4 pole rotor for high torque, fast acceleration response and stable power output.
- Special technology for temperature control implemented by this motor guarantees less heat more efficiency (efficiency rate of up to 90%).
- CNC machined aluminum housing, high purity copper windings, advanced rotor structure, 0.2mm silicon steel laminations, high-quality stainless steel output shaft, high-precision bearings for high durability and smoothness.
- Rebuild-able design (partially rebuild-able) for routine maintenance effectively prolongs the motor life and raises the motor efficiency.
- This EZRUN motor is a perfect match for the HOBBYWING EZRUN MAX6/5 ESC.
- Temperature sensor port provides all-round protection to the power system (Hobbywing will develop some ESCs with the motor thermal protection function to pair these motors in future).

03 Specifications

PN	Model	KV (No-load)	LiPos	Resistance (Ω)	No-load Current	Operating Current (A)	Output Power (W)	O.D./Length (mm)	Shaft Diameter/ Length (mm)	Poles	Weight (g)	Applications
30402900	EZRUN-56113SL-800KV	800	3-8S	0.0049	3.2	200	5800	Ø=56mm (2.20in) L=113mm (4.45in)	Ø=8.0mm (0.31in) L=31.0mm (1.22in)	4	1210g (42.68oz)	1/5 th RC Vehicles
30402550	EZRUN-5687SL-1100KV	1100		0.0041	4.1	200	5800	Ø=56mm (2.20in) L=87mm (3.43in)			916g (32.31oz)	1/5 th Light-duty & 1/6 th RC Vehicles
30402950	EZRUN-4985SL-1650KV	1650	3-6S	0.0053	5.4	160	5700	Ø=49mm (1.92in) L=86.5mm (3.41in)	Ø=5.0mm (0.20in) L=21.5mm (0.85in)		587g (20.71oz)	1/6 th & 1/7 th RC Vehicles

04 Installation & Connection



1. How to Mount the Motor into a RC vehicle

M4 mounting screws are needed there (four for the 4985 motor, eight for the 5687/56113 motor), as the mounting holes are 8mm in depth, so we don't recommend using the M4 screws with the length exceeds 10mm to mount the motor into your vehicle.

Please choose the right mounting screws as per your chassis.

2. How to Connect the Motor to an ESC

There is no polarity on the A/B/C three ESC-to-motor wires, so do not worry about how you connect them initially. You may find it necessary to swap two wires if the motor runs in reverse.

3. Recheck the Installation & Connections

Recheck the installation and all the connections before turning on the power.

05 FDR/Gear Ratio Selection

It's important to select the FDR/gear ratio properly, as improper FDR/gear ratio may cause you great loss. Therefore, please choose the gear ratio by referring to the following points!

1. Operating Temperature of the Motor

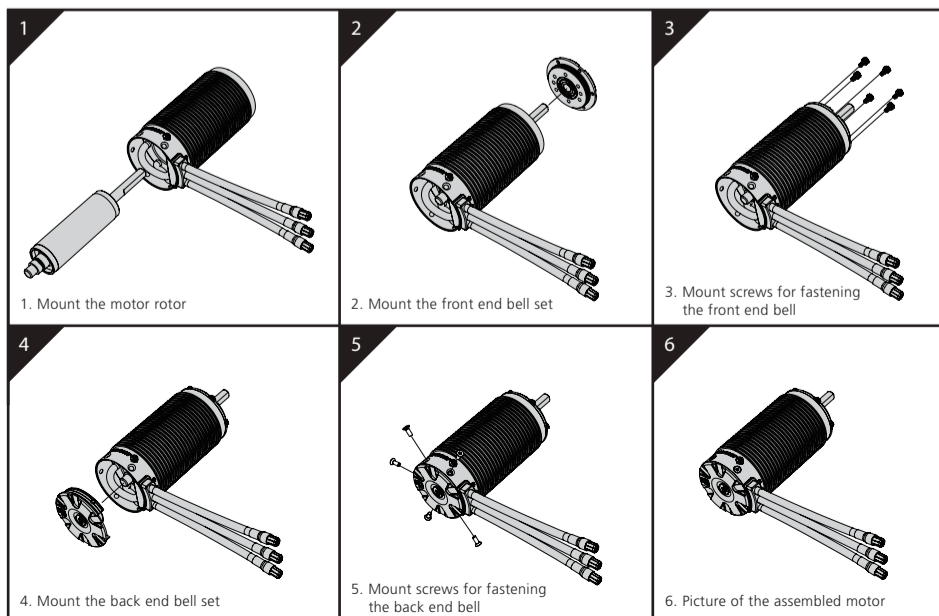
The motor temperature should be lower than 100°C (212°F) during the operation. Temperatures above 100°C will weaken the magnet and may partly melt the coils and eventually damage the ESC (because of strong current). Therefore, the most effective way to prevent overheating is to select the right gear ratio.

2. Principle of Gear Ratio Selection

To avoid potential risks such as ESC/motor damage or malfunction caused by overheating, please start with a very small pinion first and check the ESC & motor temperatures regularly throughout the run. This is the only way to guarantee that your motor won't overheat. If the motor and ESC temperatures remain stable and low in the running, then you can slowly increase the pinion size while monitoring temperatures to determine the safe gearing for your vehicle, climate and track condition. Because these elements may change, so please keep monitoring the ESC & motor temperatures to protect your electronics from damage.

06 Assembly/Disassembly

For prolonging the motor life and raising its efficiency, we recommend checking and cleaning the motor regularly. About the frequency, it depends on the times you use the motor and the track condition. Please refer to the following diagrams to assemble your motor and dismantle it in the reverse order if necessary.



Parts List

