

SAWBACK

1/10th SCALE ELECTRIC 4WD VEHICLE

SPORTS

Instruction Manual

SPEC

Width : 220 mm

Height : 270 mm

Length : 442 mm


Wheel Base : 287 mm

Ground Clearance : 64 mm

Weight (no electronics) : 1.9 kg



Cautions

 In order to avoid personal injury or property damage, you have to act in a responsible manner and follow these directions. RC models can operate at over 40Km/h but can not stop immediately.

■ Safety Precautions

- Check the surrounding area before you operate RC model.
- Choose a good place to operate your RC model.
- Do not operate your RC model on the street or highway. It can cause a serious damage or a serious accident.
- Do not operate your RC model in confined or crowded areas, in order to avoid accident.
- Never operate your RC model near people or animals, and never use people or animals as an obstacle.
- A collision between your RC model and stationary objects can cause damage to either.
- Do not operate RC model in public places like hospital and residential areas. It can cause great noise.
- Never operate RC model indoors. There is a higher possibility of fire or damage.

■ Safety Precautions (Before assembling)

- Before you start assembling this model, read the instructions carefully and make sure you understand them thoroughly.
- If a child assembles this model, an adult must also read the instructions carefully and understand them thoroughly.
- Always be careful when using tools like knives. Extra care should be taken to prevent injuries.
- If you use paint or cement (not included in the RC model), read the instructions supplied with them.
- Keep the parts out of reach of children, small parts can cause choking and vinyl bags can suffocate.

■ Safety Precautions (Before you operate RC model, check the following.)

- Check to ensure nuts and bolts are tightened appropriately.
- Check that no one else is using your radio frequency.
- Use new batteries to avoid losing control of the transmitter and receiver.
- You will need a 2 channel radio system which includes a servo, a receiver, an ON/OFF switch, and an electronic speed control.
- Be sure to use a radio frequency for ground models – Do not use airplane frequencies.
- Always check the brakes and throttle before you operate your RC model, in order to avoid losing control of the model.
- To prevent unexpected movements of your RC model, do not connect the batteries to receiver before turning on the transmitter.

Always turn on the transmitter first, and then connect the batteries to the receiver.

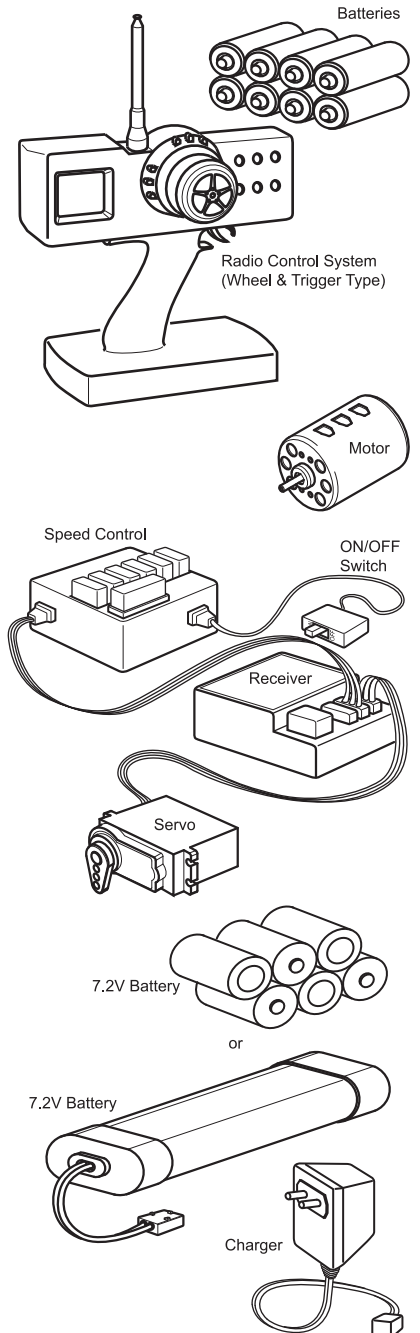
1. Switch on the transmitter.
2. Check that the speed control, the transmitter control, and trims are set to the neutral position.
3. Connect the RC model to the receiver's batteries.
4. Switch on the model and the receiver.

When you using rechargeable batteries, make sure you read and follow the instructions carefully. Inappropriate handling or usage of rechargeable batteries can cause serious injuries or accidents.

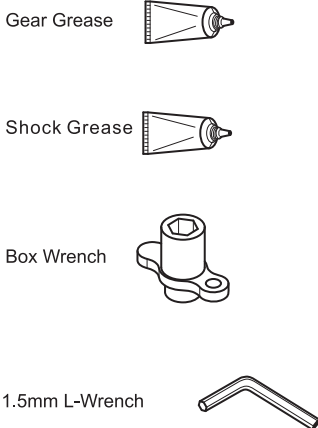
■ Cautions While Operating

- When the RC model is operating, do not touch the moving parts like the drive shaft and wheels. The moving parts can cause serious injuries.
- Always turn the model or receiver off and disconnect the batteries before turning off the transmitter, in order to avoid unexpected movements of your RC model.
 1. Turn off the model or receiver.
 2. Disconnect the batteries.
 3. Turn off the transmitter.
- Do not touch the vehicle's speed control resistor while operating of the RC model. The resistor may be very hot, especially after running at lower speeds.
- To prevent damage to the RC model, remove the batteries from the model and transmitter when you don't intend to run the RC model for some time.
- After operating your RC model, batteries become hot, so please be careful when handling.
- In order to prolong the life of your RC model, please keep it free from dirt and grease.
- Before you start assembling this model, read the instruction carefully and make sure you understand them fully.
- If a child assembles this model, an adult must also read the instructions carefully and understand them thoroughly.

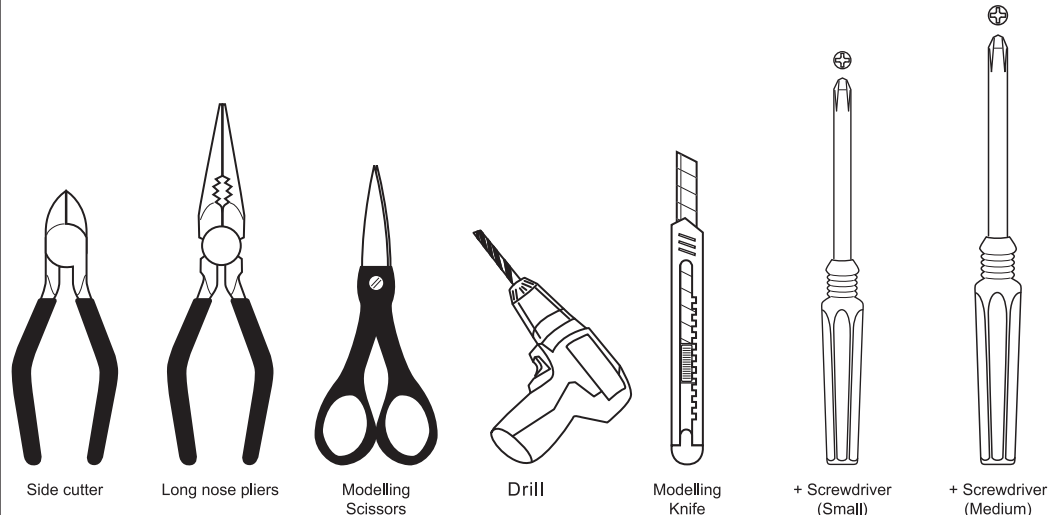
Equipment Needed



Tools Included

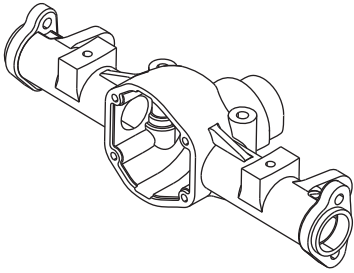


Tools Needed

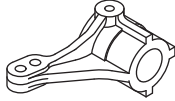


Part Reference

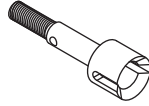
52101 X2
GS01 Axle Housing



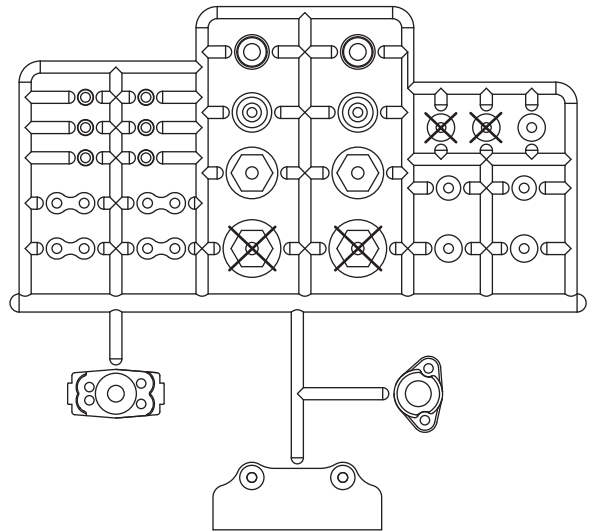
51105 X2
Knuckle Arm



51117 X2
Wheel Axle Shaft



52102 X2
GS01 Axle Parts Tree



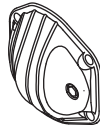
52105 X2
14T Bevel Gear



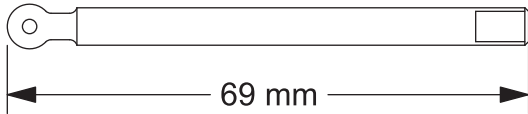
52104 X2
32T Bevel Gear



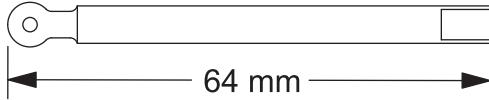
52103 X2
Differential Cover



52108 X1
69mm Drive Shaft



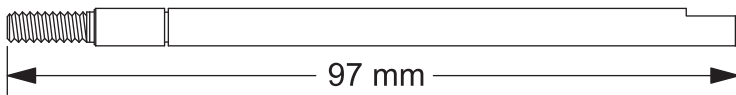
52107 X1
64mm Drive Shaft



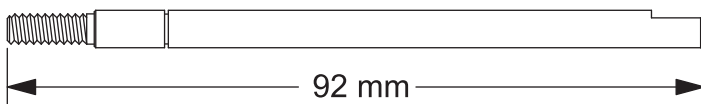
52113 X2
14T Bevel Gear Shaft



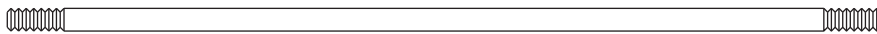
52111 X1
97mm Straight Drive Shaft



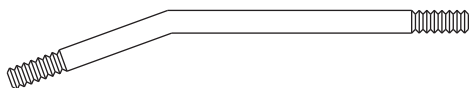
52110 X1
92mm Straight Drive Shaft



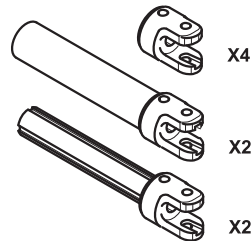
52115 X1
116mm Threaded Shaft



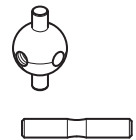
52114 X1
64mm Steering Rod



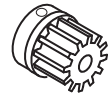
51301
Universal Shaft set



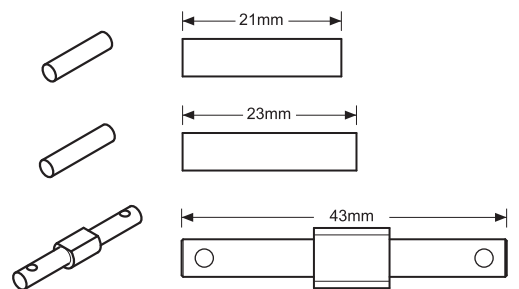
51302
U-Joint set X4



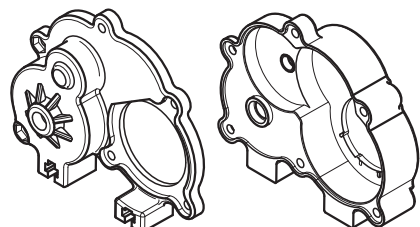
20142 X1
32Pitch 12T Pinion Gear



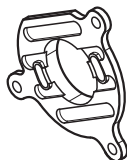
51207 X1
Counter Gear Shaft set



51201 X1
Transmission Housing set



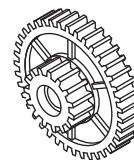
51202 X1
Motor Plate



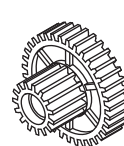
51203 X1
Pinion Gear Cap



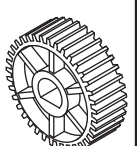
51204 X1
39/15T
Counter Gear



51205 X1
35/15T
Counter Gear



51206 X1
37T
Counter Gear



Part Reference



52404 X4 Shock Stay



52301 X4 Shackle Bracket



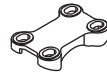
52302 X4 Shackle



52303 X4 Leaf Spring Hanger



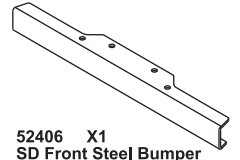
52405 X4 Side Step Bracket



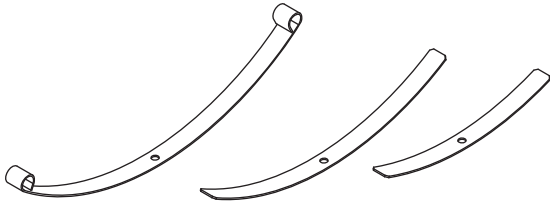
52305 X4 Leaf Spring Perch



52310 X8 U-Bolt



52406 X1 SD Front Steel Bumper



52306 X4 Leaf Spring A

52307 X4 Leaf Spring B

52308 X4 Leaf Spring C



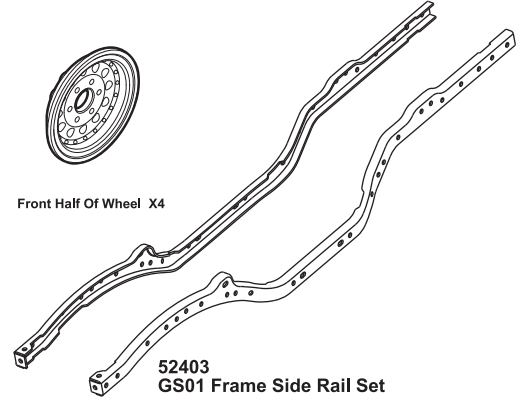
Inner Beadlock Ring X4



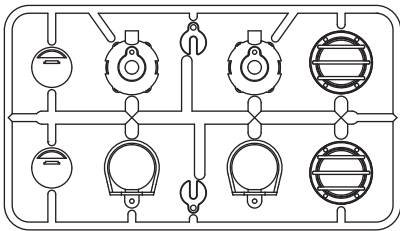
Back Half Of Wheel X4



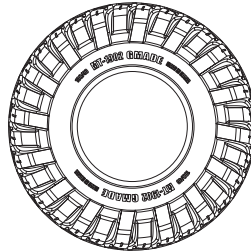
Front Half Of Wheel X4



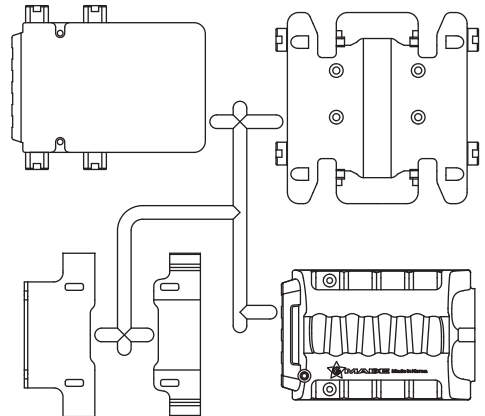
52403 GS01 Frame Side Rail Set



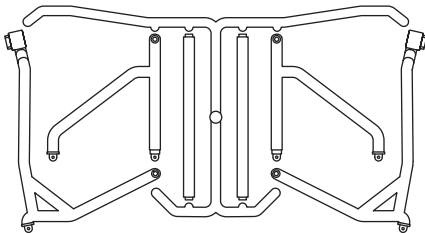
49013 X1 Fog LED Light & Accessories Parts Tree



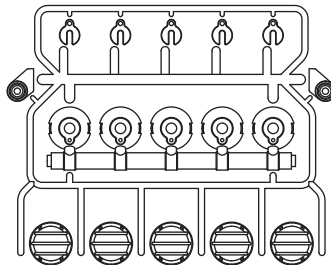
70244 X4 MT1902 Tire



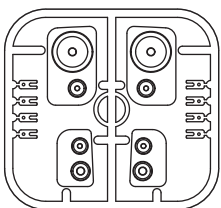
52407 X1 GS01 Cross Member Parts Tree



49009 X1 Sawback Roll Bar Parts Tree



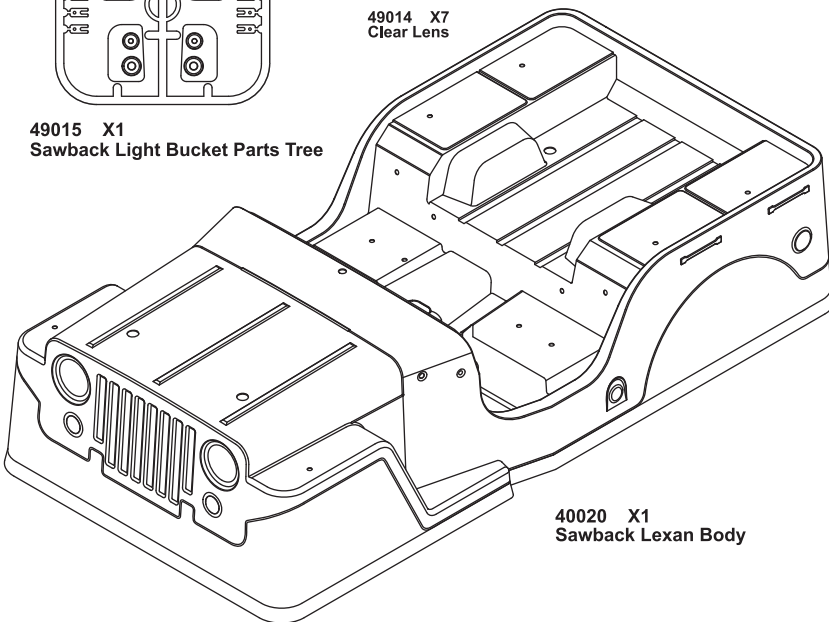
49011 X1 LED Light Bar Parts Tree



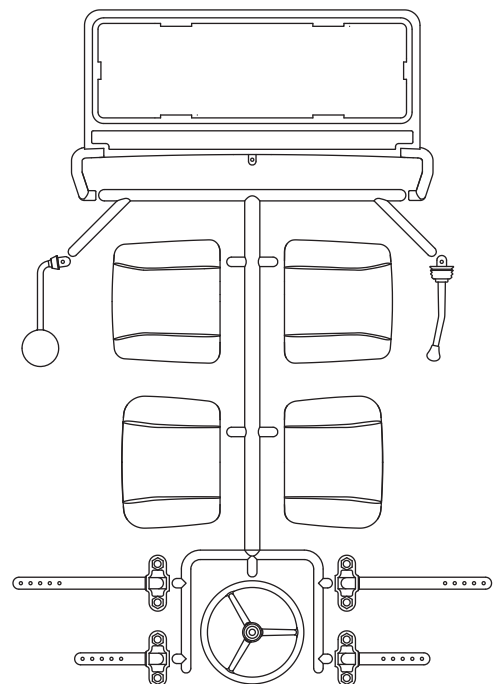
49015 X1 Sawback Light Bucket Parts Tree



49014 X7 Clear Lens
















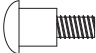
40020 X1 Sawback Lexan Body







49001 X1 Sawback Accessory Parts Tree

Part Reference

Round Head Screw

- 2.6X5mm X2 
- 2.6X6mm X8 
- 2.6X10mm X24 
- 2.6X16mm X2 
- 3X6mm X12 
- 3X8mm X23 
- 3X10mm X12 
- 3X12mm X13 
- 3X16mm X22 
- 3X18mm X4 
- 3X20mm X12 
- 3X25mm X3 
- 3X35mm X1 
- 3X10mm Step Screw X4 

Round Head Tapping Screw

- 2X6mm X15 
- 3X6mm X8 
- 3X8mm X6 
- 3X25mm X4 






Flat Head Screw

- 3X10mm X4 



Socket Set Screw

- 3X3mm X4 
- 3X4mm X1 
- 3X15mm Screw Pin X4 



Nut

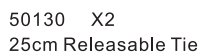
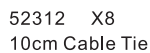
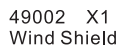
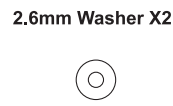
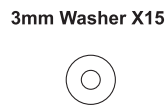
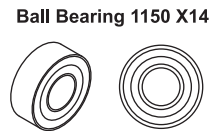
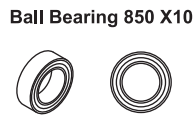
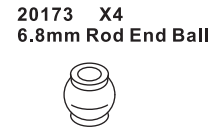
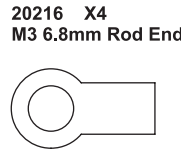
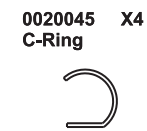
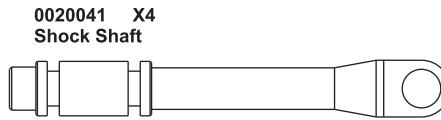
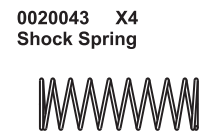
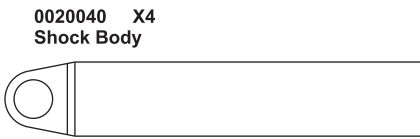
- M3 Nut X11 
- M2.6 Nut X26 
- M3 Nylon Lock Nut X77 
- M3 Flange Nut X26 
- M4 Nylon Lock Nut X4 

Snap Pin

- R5 Snap Pin X11 
- R6 Snap Pin X8 

E-Ring






- 2.5mm E-ring X2 
- 4mm E-ring X2 



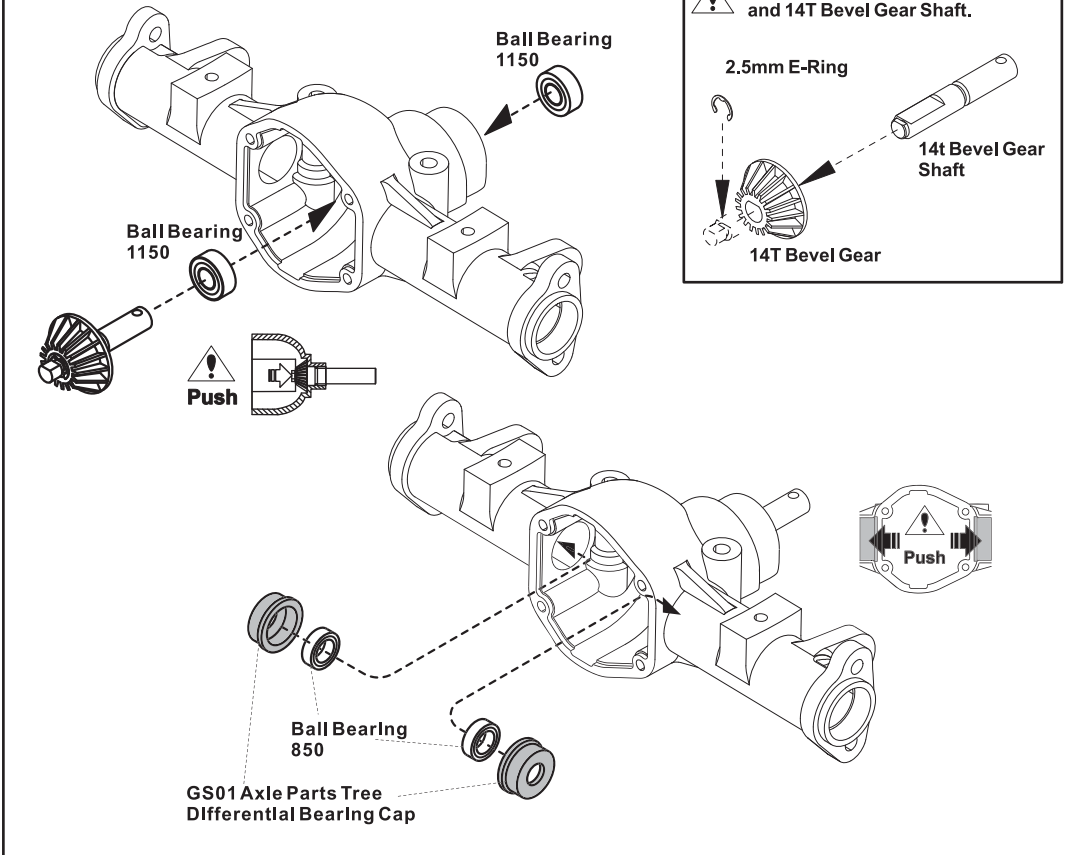
- Gear Grease X1
- Shock Grease X1
- 1.5mm L-Wrench X1
- Box Wrench X1

Main Axle Assembly

1

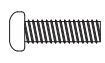


-  2.5mm X2 E-ring
-  Ball Bearing X4 1150
-  Ball Bearing X4 850
-  14T Bevel Gear Shaft X2
-  GS01 Axle Parts Tree Differential Bearing Cap X4

1 Make 2.

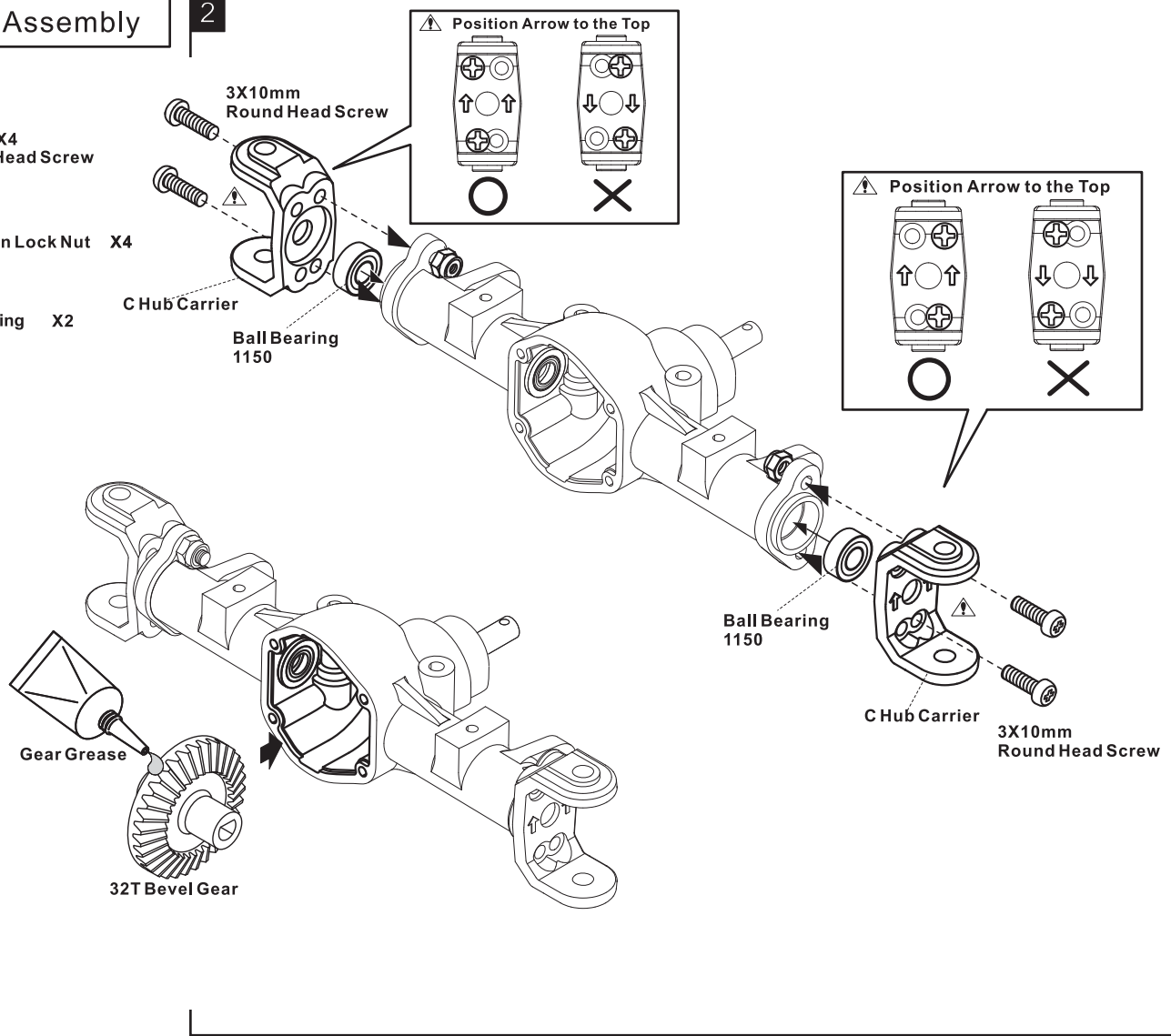


Front Axle Assembly

2

-  3X10 X4 Round Head Screw
-  M3 Nylon Lock Nut X4
-  Ball Bearing X2 1150

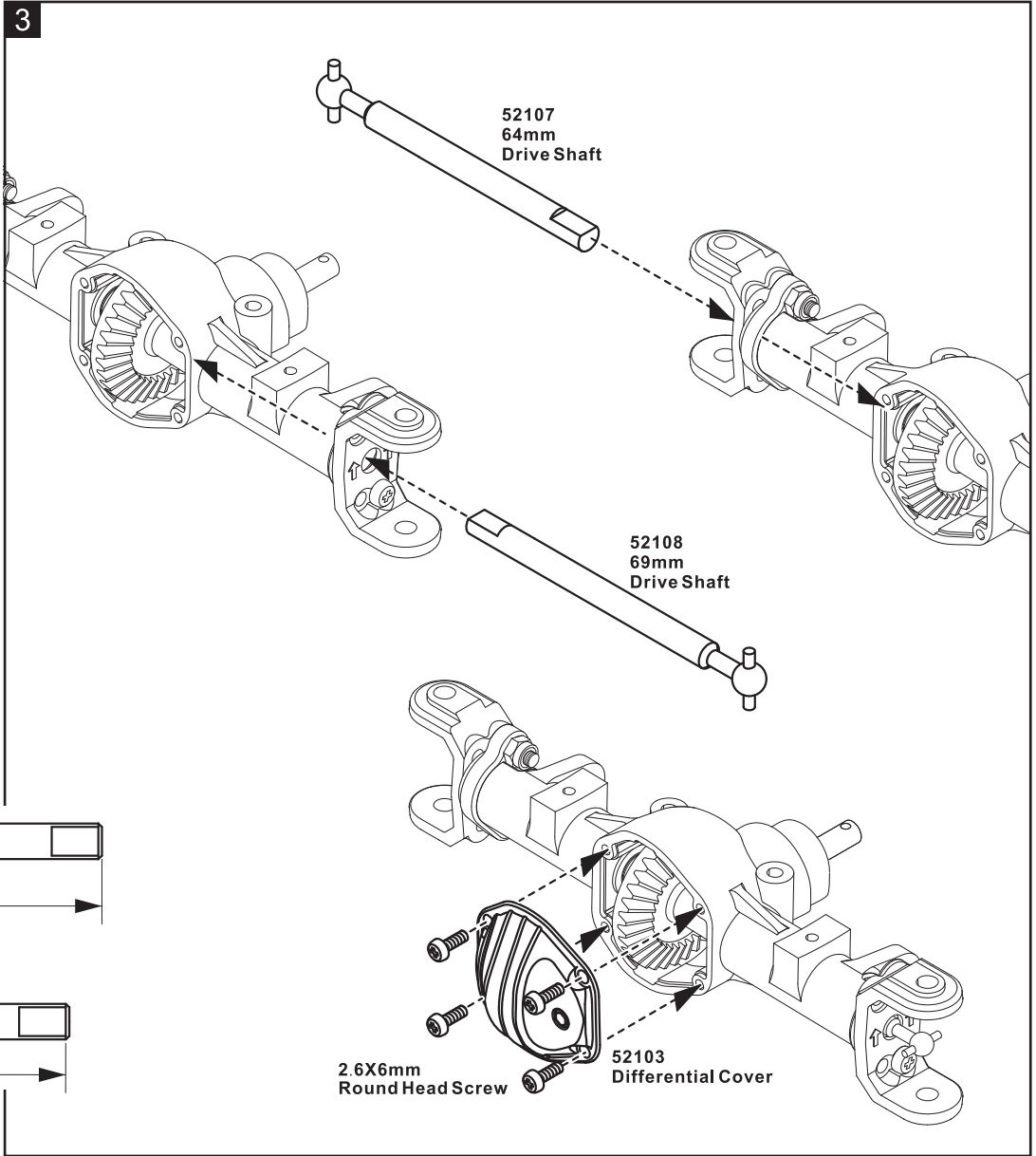
2



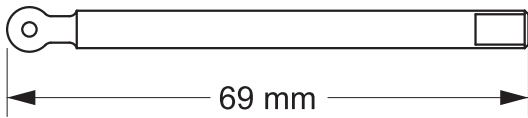
Front Axle Assembly

3

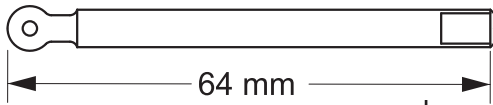
2.6X6mm X4
Round Head Screw



52108
69mm
Drive Shaft



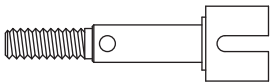
52107
64mm
Drive Shaft



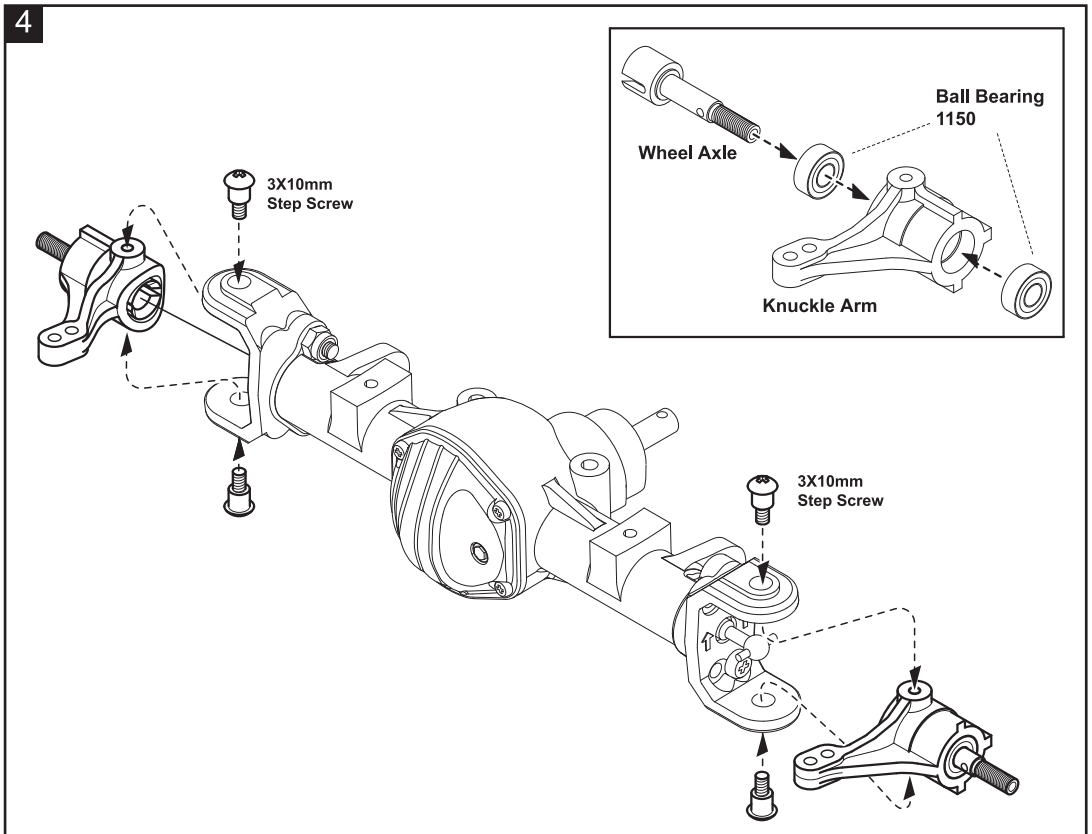
4

Ball Bearing X4
1150

3X10mm X4
Step Screw



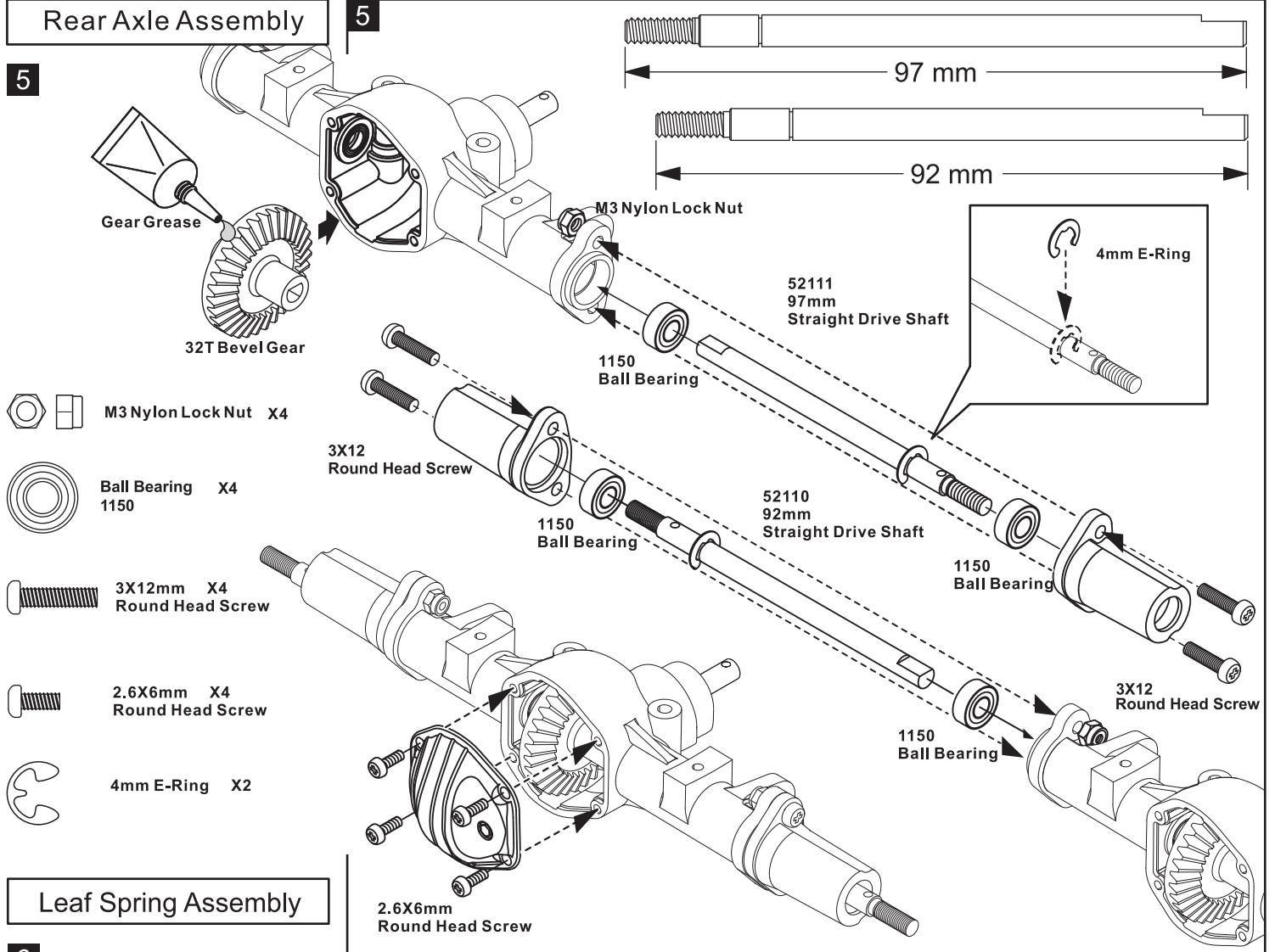
51117 X2
Wheel Axle



Rear Axle Assembly

5

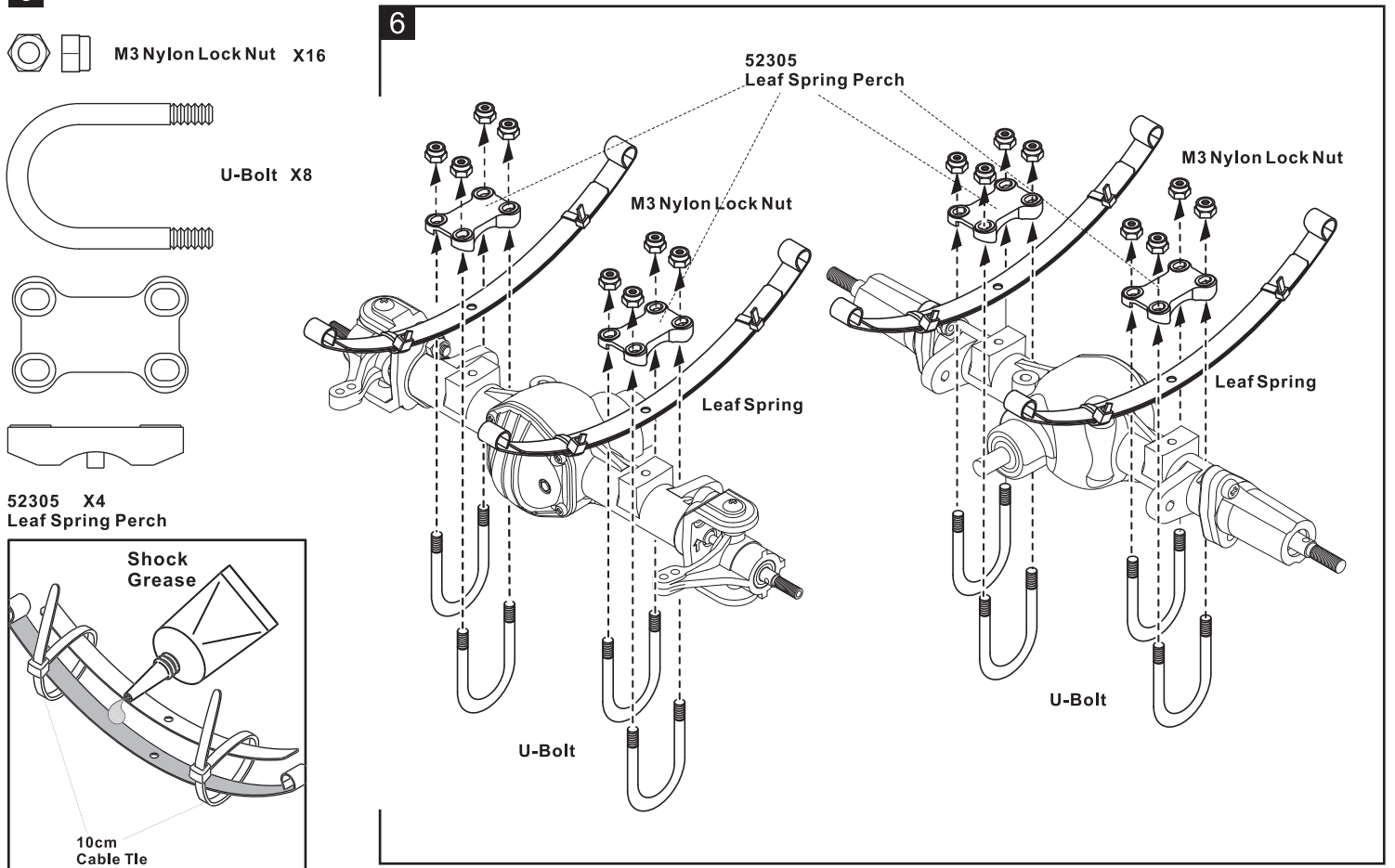
5



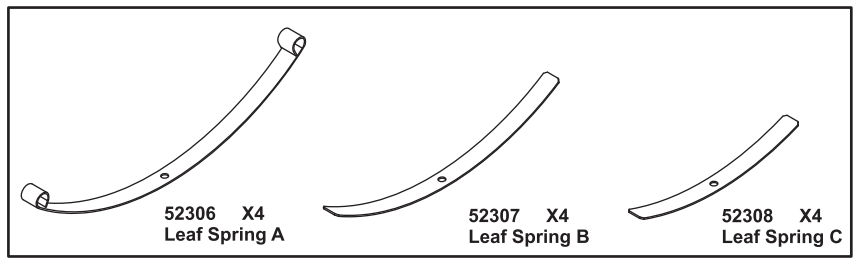
Leaf Spring Assembly

6

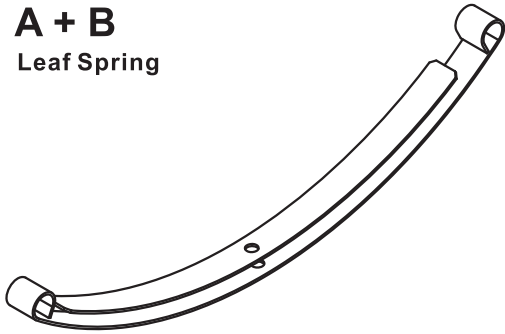
6



Leaf Spring Setup Guide



A + B Leaf Spring



Soft Type Suspension

Low Speed & high traction Driving. Soft type leaf-spring setup can be used when vehicle needs high tractions and provides sooth suspension movements with maximum wheel travel level, it is recommend to us at trail courses.



Coution : Do not us this setup when high speed driving and hardcore drive, it will causing the Leaf-spring become deformed

Recommend Motor use :Over 35T Brushed motor



Rock Pile



Mountain



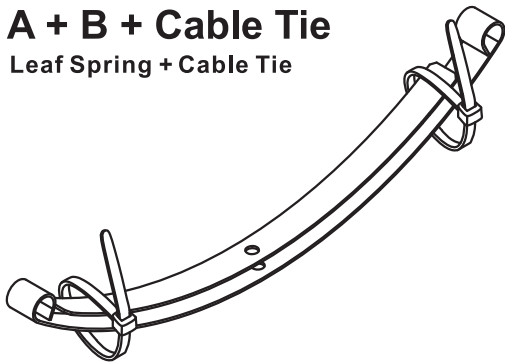
Off Road



On Road



A + B + Cable Tie Leaf Spring + Cable Tie



Standard Type Suspension

Normal Driving

Recommend Motor use :25T~30T Brushed motor



Rock Pile



Mountain



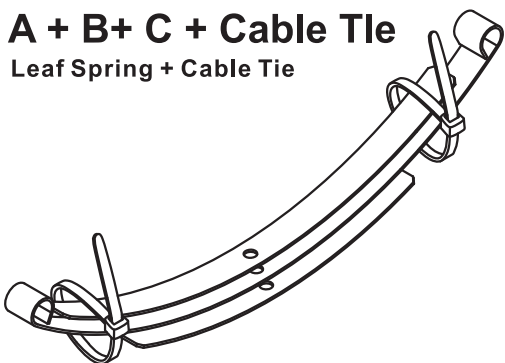
Off Road



On Road



A + B + C + Cable Tie Leaf Spring + Cable Tie



Hard Type suspension

Hard type leaf-spring setup provides stable handling works during high speed driving

Recommend Motor use :19T~23T Brushed motor



Rock Pile



Mountain



Off Road



On Road



Servo Mount

7

M3 Nylon Lock Nut X2

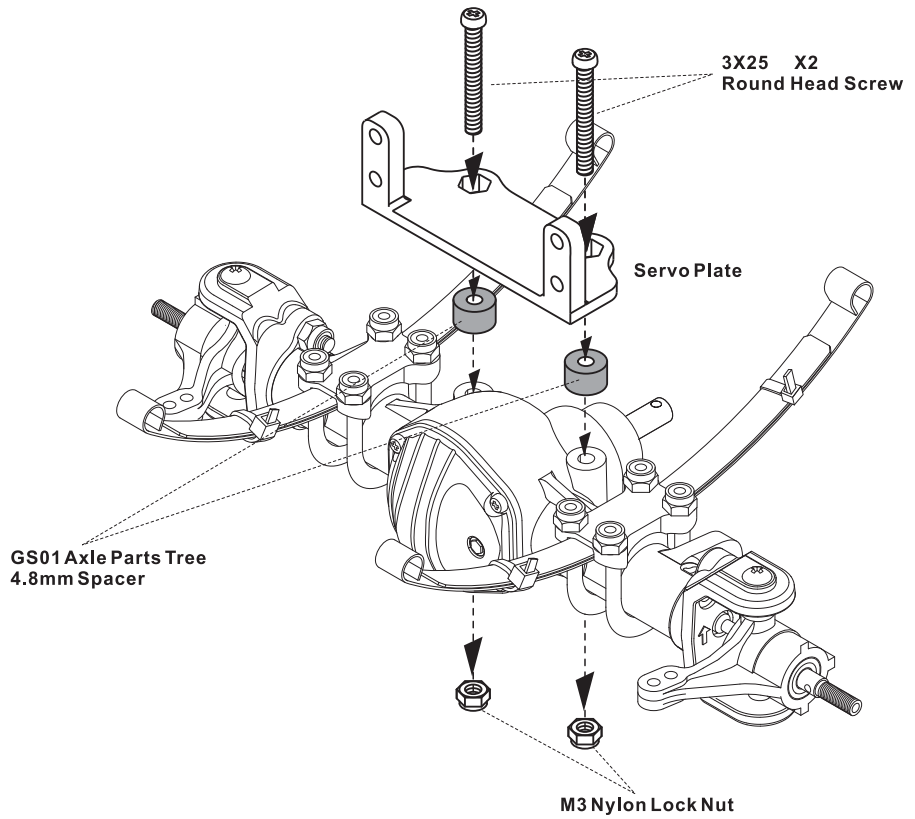


3X25 X2
Round Head Screw



GS01 Axle Parts Tree
4.8mm Spacer X2

7



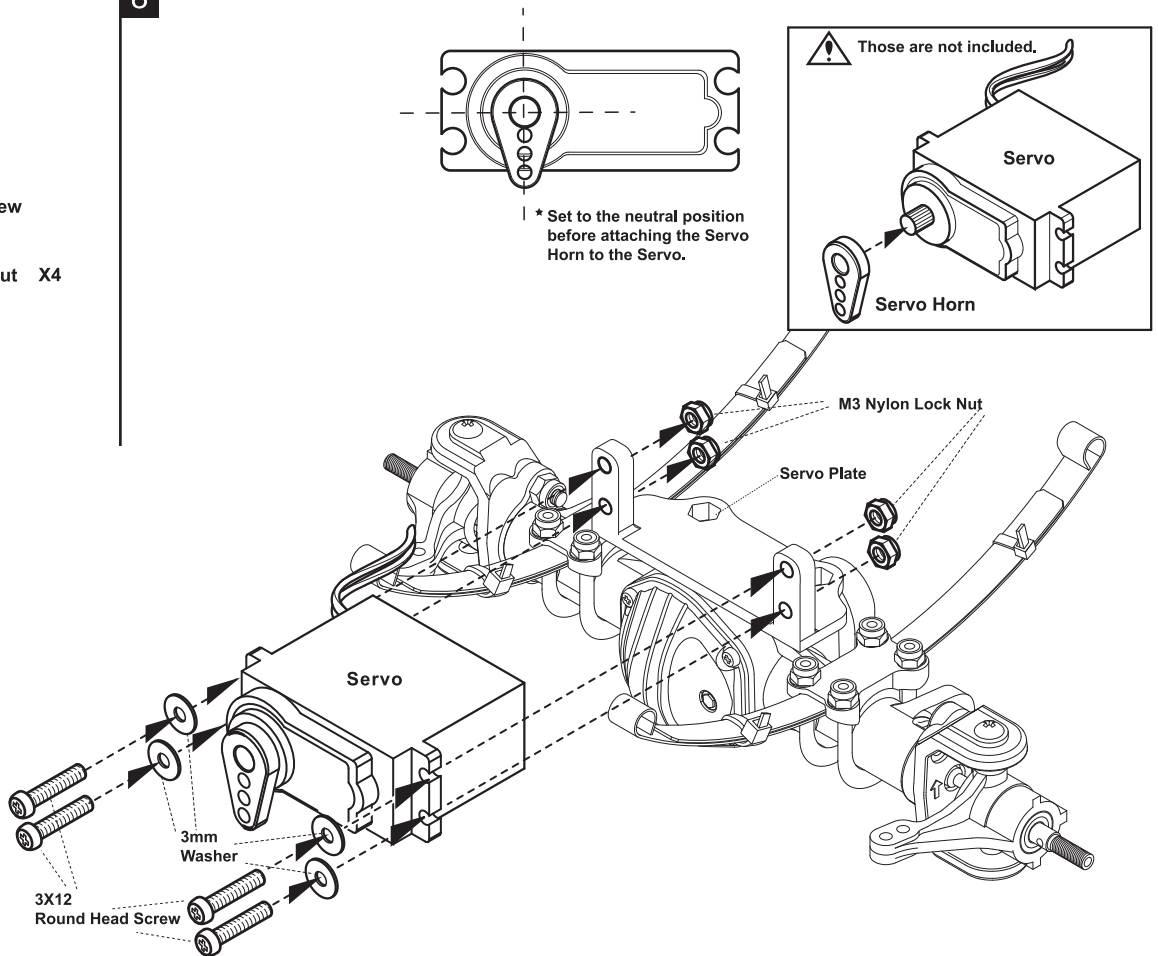
8

3mm X4
Washer

3X12mm X4
Round Head Screw

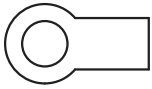
M3 Nylon Lock Nut X4

8



Steering Linkage

9

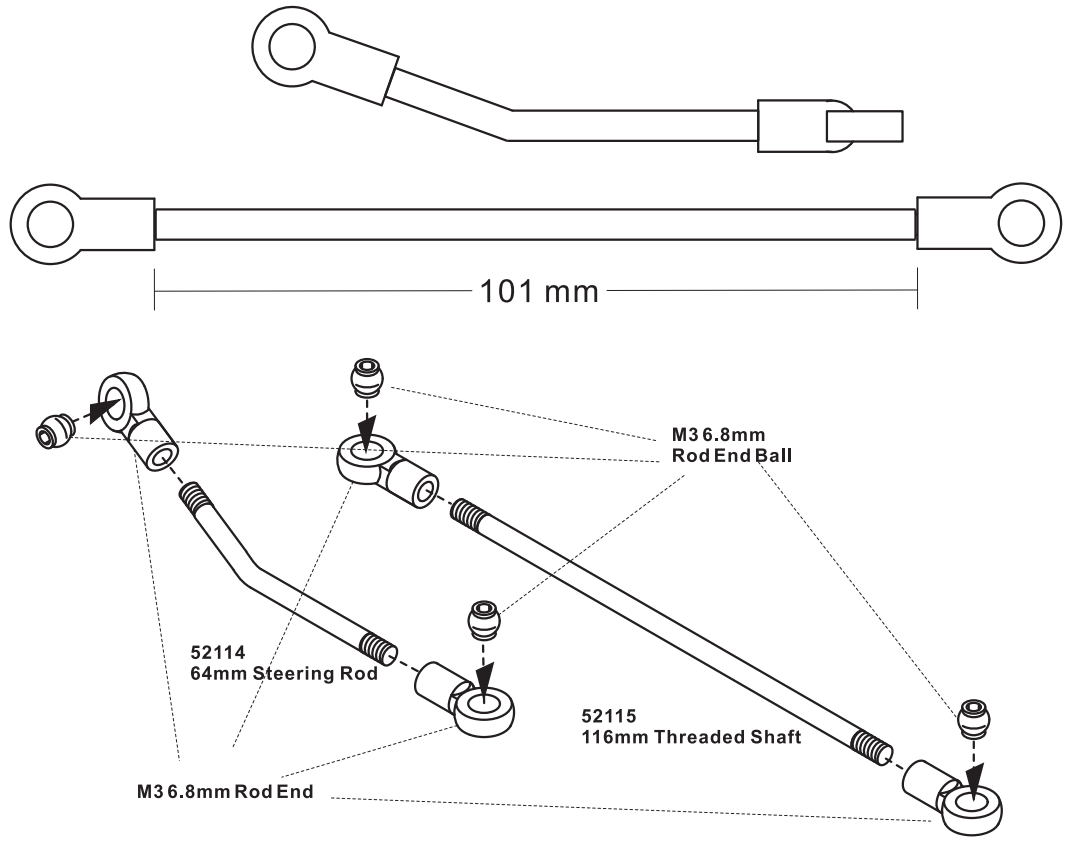


M36.8mm Rod End X4



M36.8mm Rod End Ball X4

9



10



3X16mm Round Head Screw X1



3X20mm Round Head Screw X1



3X25mm Round Head Screw X1

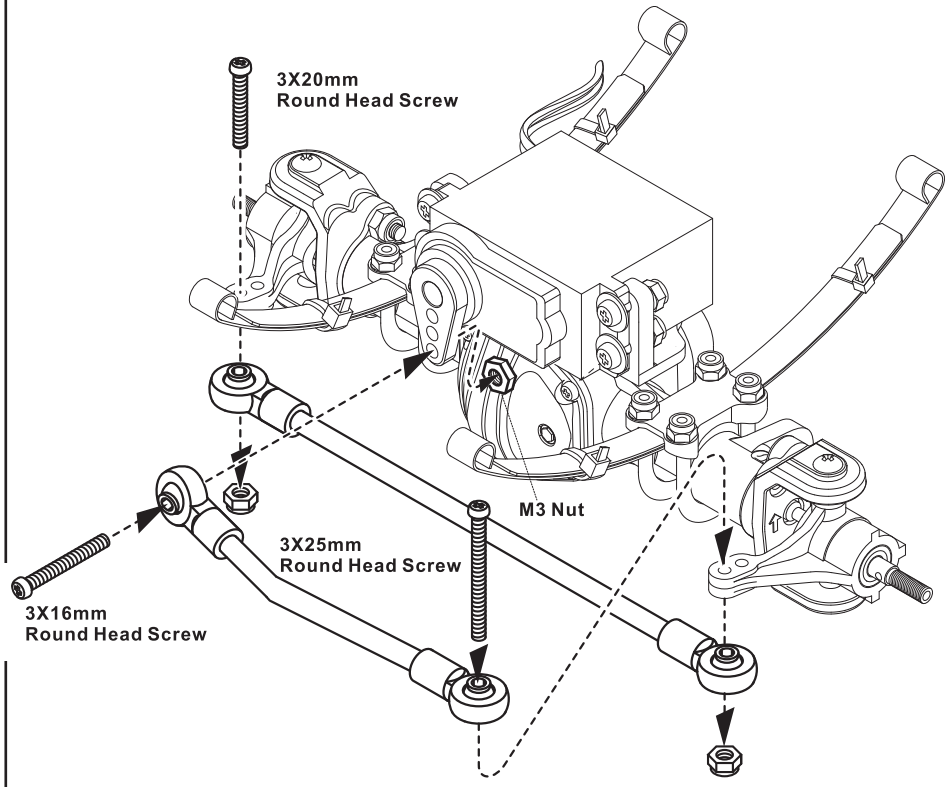


M3 Nylon Lock Nut X2



M3 Nut X1

10

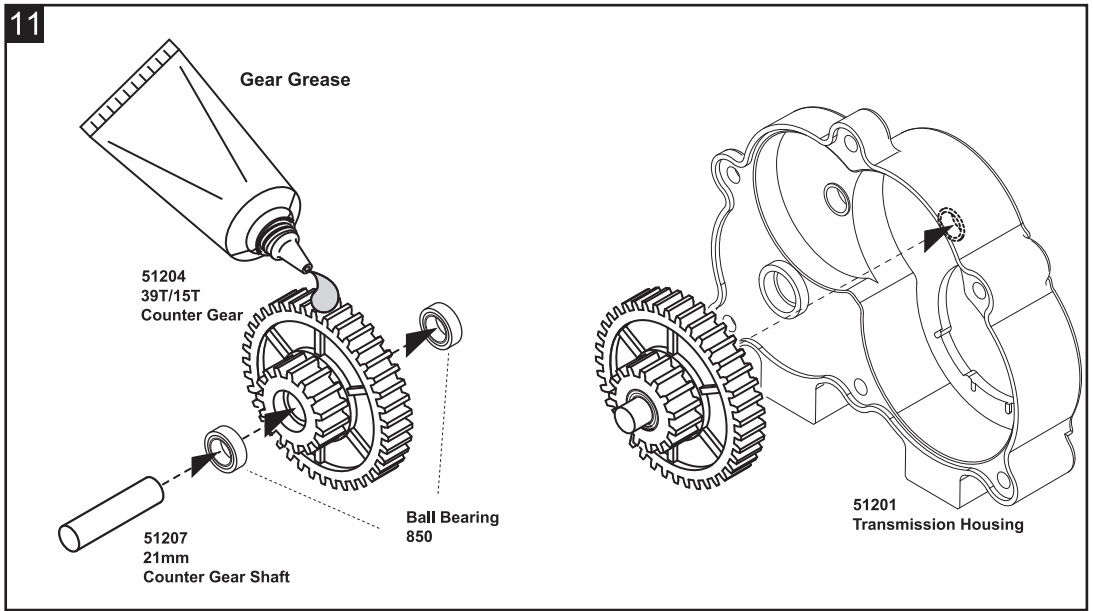
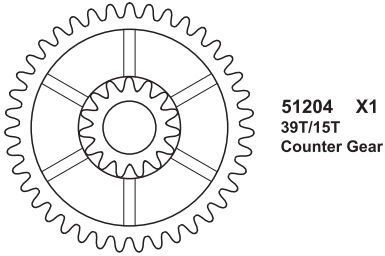


Transmission Assembly

11

Ball Bearing X2
850

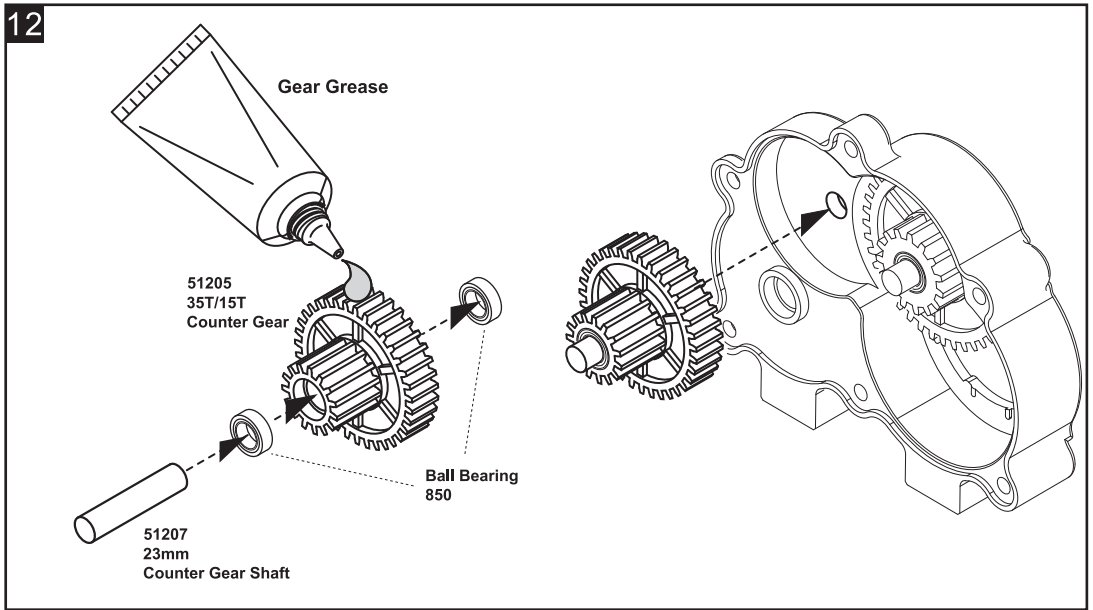
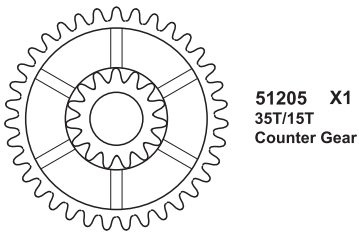
51207 X1
21mm
Counter Gear Shaft



12

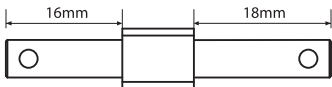
Ball Bearing X2
850

51207 X1
23mm
Counter Gear Shaft

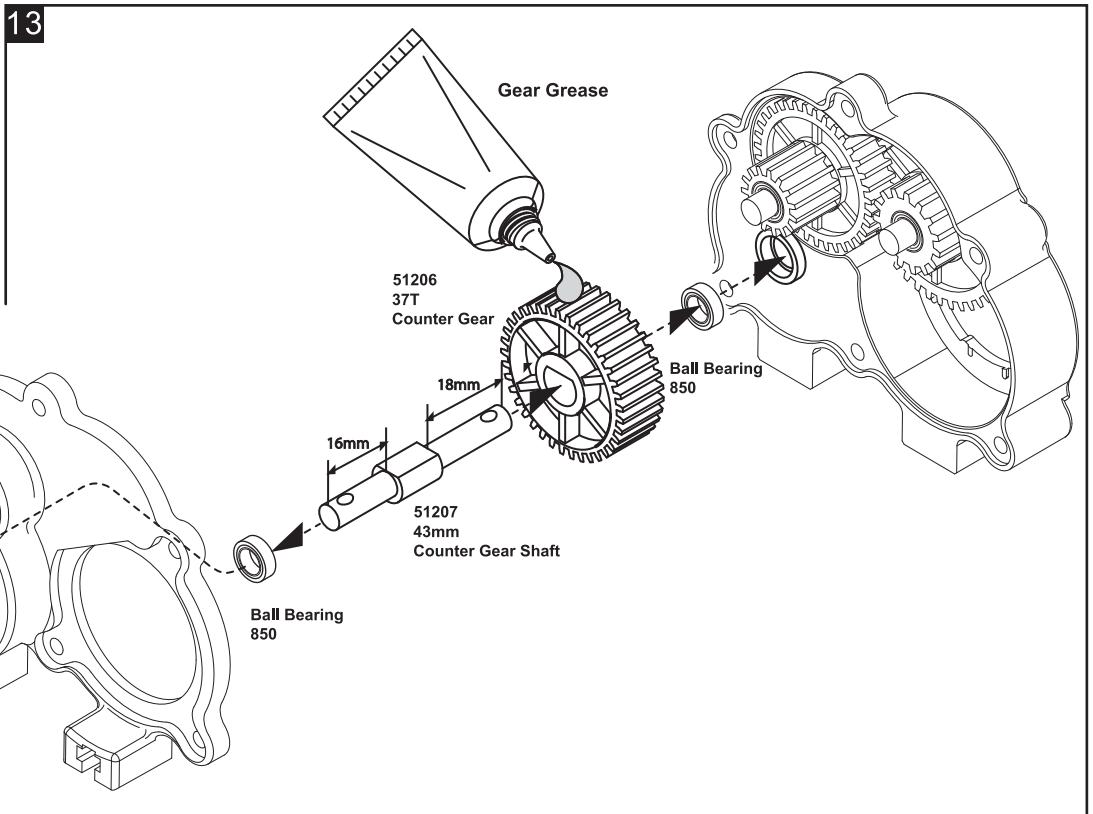
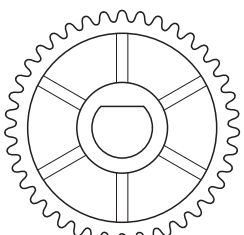


13

Ball Bearing X2
850



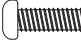





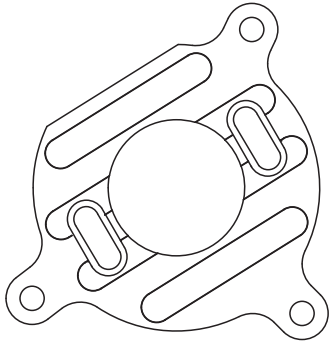
51207 X1
43mm
Counter Gear Shaft



Transmission Housing Assembly

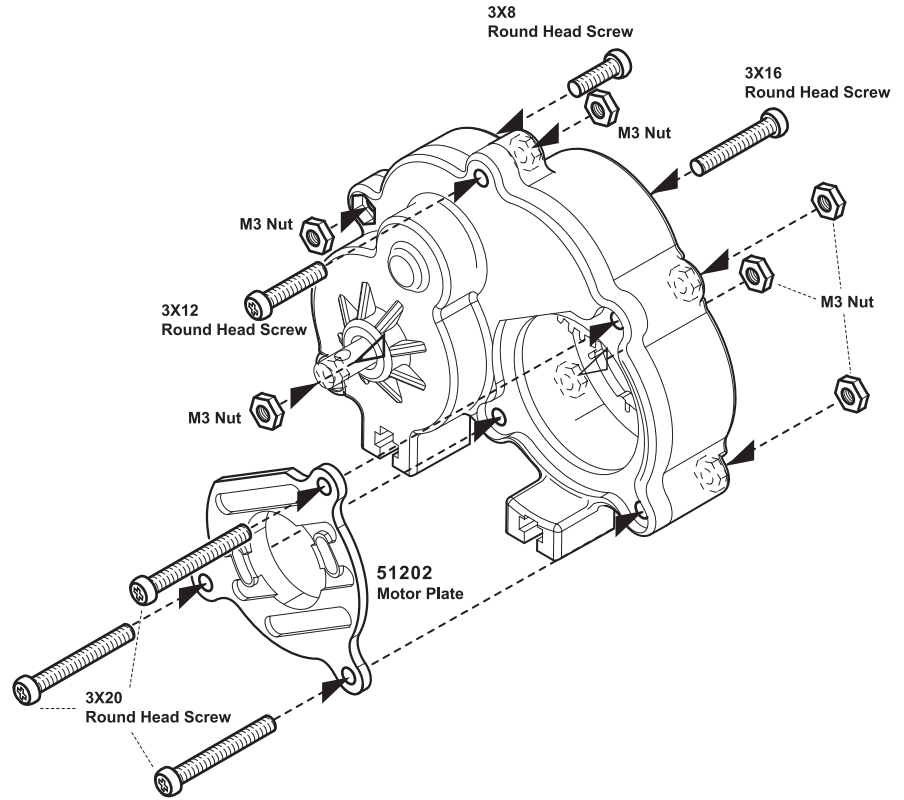
14

-  3X8mm X1 Round Head Screw
-  3X12mm X1 Round Head Screw
-  3X16mm X1 Round Head Screw
-  3X20mm X3 Round Head Screw
-   M3 Nut X6



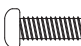


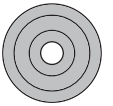
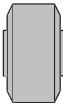
51202 X1 Motor Plate

14



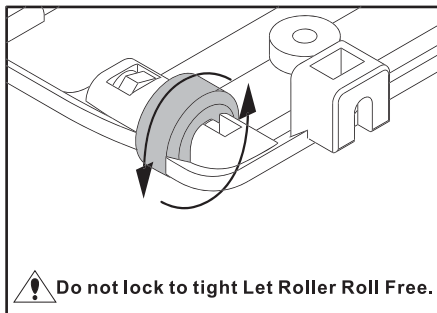
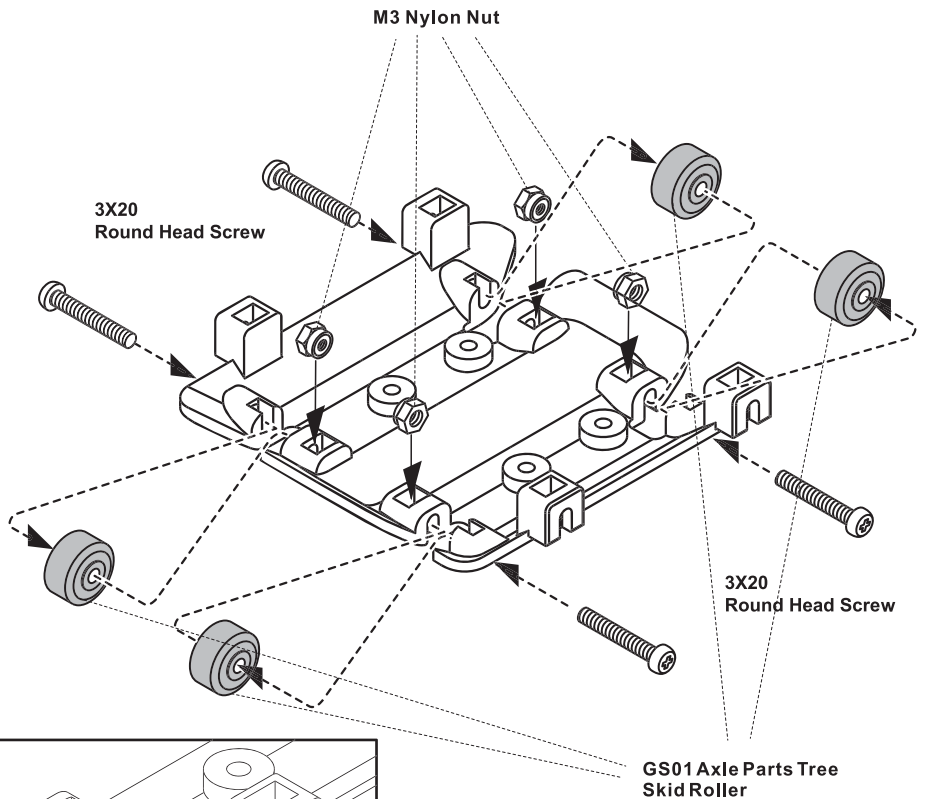
Skid Plate

15

-  3X20mm X4 Round Head Screw
-   M3 Nylon Nut X4
-   GS01 Axle Parts Tree Skid Roller X4

GS01 Axle Parts Tree Skid Roller X4

15



 Do not lock to tight Let Roller Roll Free.

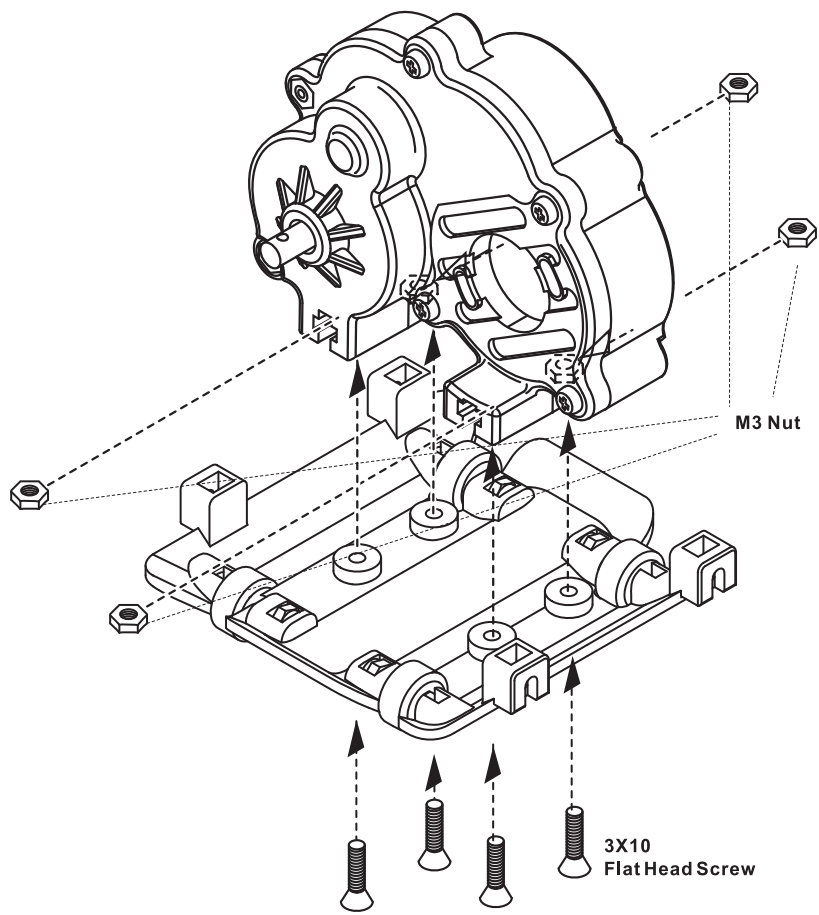
Transmission Housing Assembly

16

3X10mm X4 Flat Head Screw

M3 Nut X4

16



Motor

17

3X4mm X1 Socket Set Screw

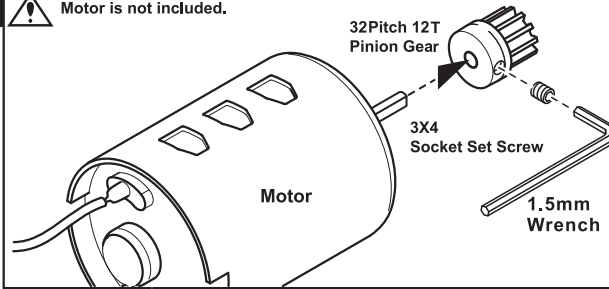
3mm X2 Washer

3X10mm X2 Round Head Screw

20142 X1 32Pitch 12T Pinion Gear

17

Motor is not included.



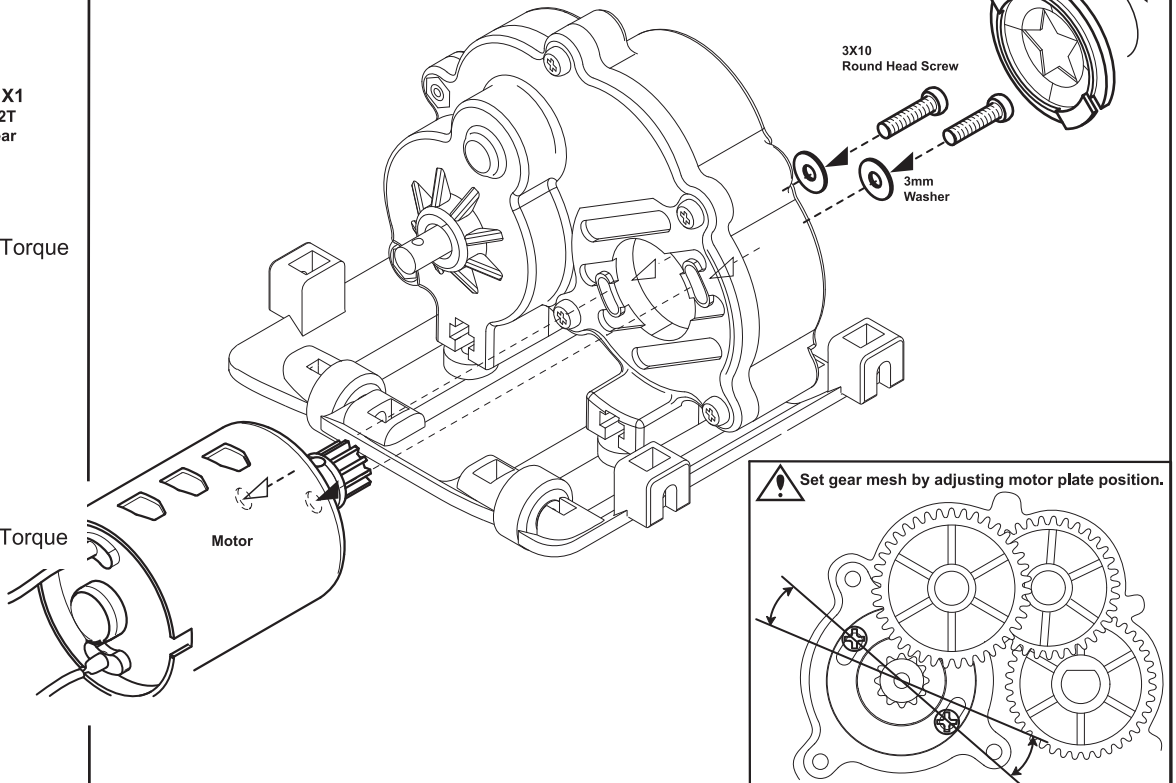
51203 Pinion Gear Cap

3X10 Round Head Screw

3mm Washer

Gear Ratio

9	57.0	Slower-More Torque
10	51.3	
11	46.6	
12	42.8	Stock
13	39.5	
14	36.6	
15	34.2	
16	32.1	
17	30.2	
18	28.5	
19	27.0	Faster-Less Torque




Set gear mesh by adjusting motor plate position.

Universal Shafts Assembly

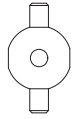
18 ⚠️ Make 2.

18

 3X3mm X4
Socket Set Screw

 Cross Pin X4

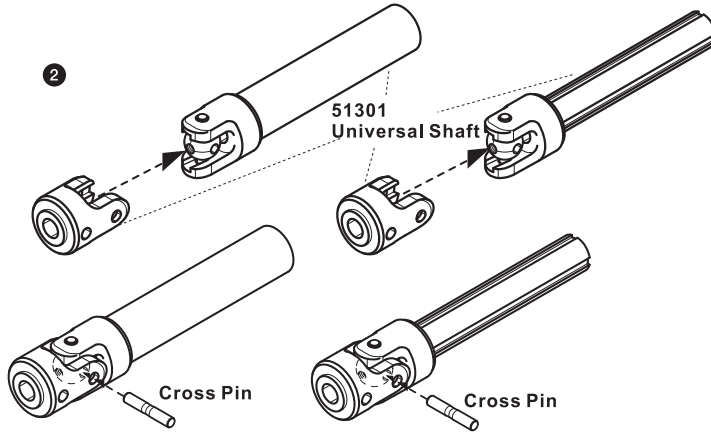
51301 X2
Universal Shaftset



51302 X4
U-Joint

51302
U-Joint

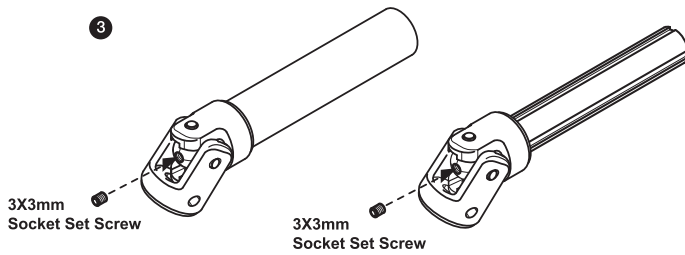
2



Cross Pin

Cross Pin

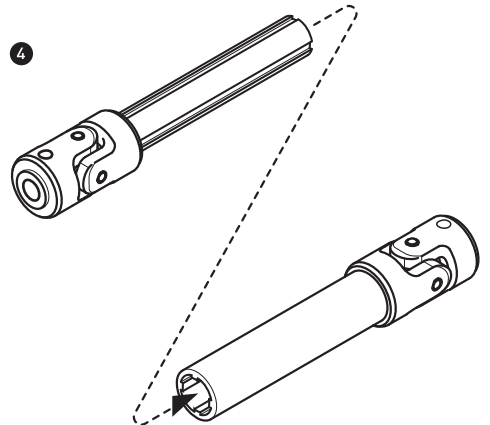
3



3X3mm
Socket Set Screw

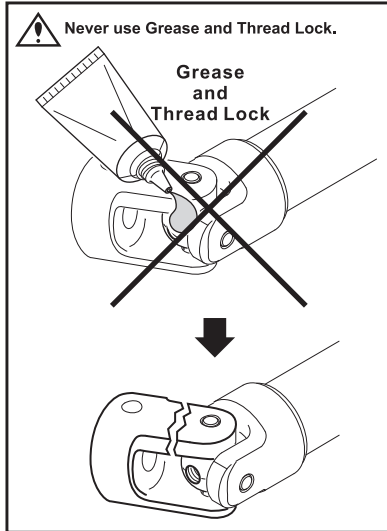
3X3mm
Socket Set Screw

4



⚠️ Never use Grease and Thread Lock.


~~Grease and Thread Lock~~



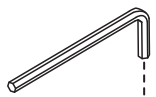
Universal Shafts

19 ⚠️ Double Check the Universal's direction.

19

 3X15mm X2
Screw Pin

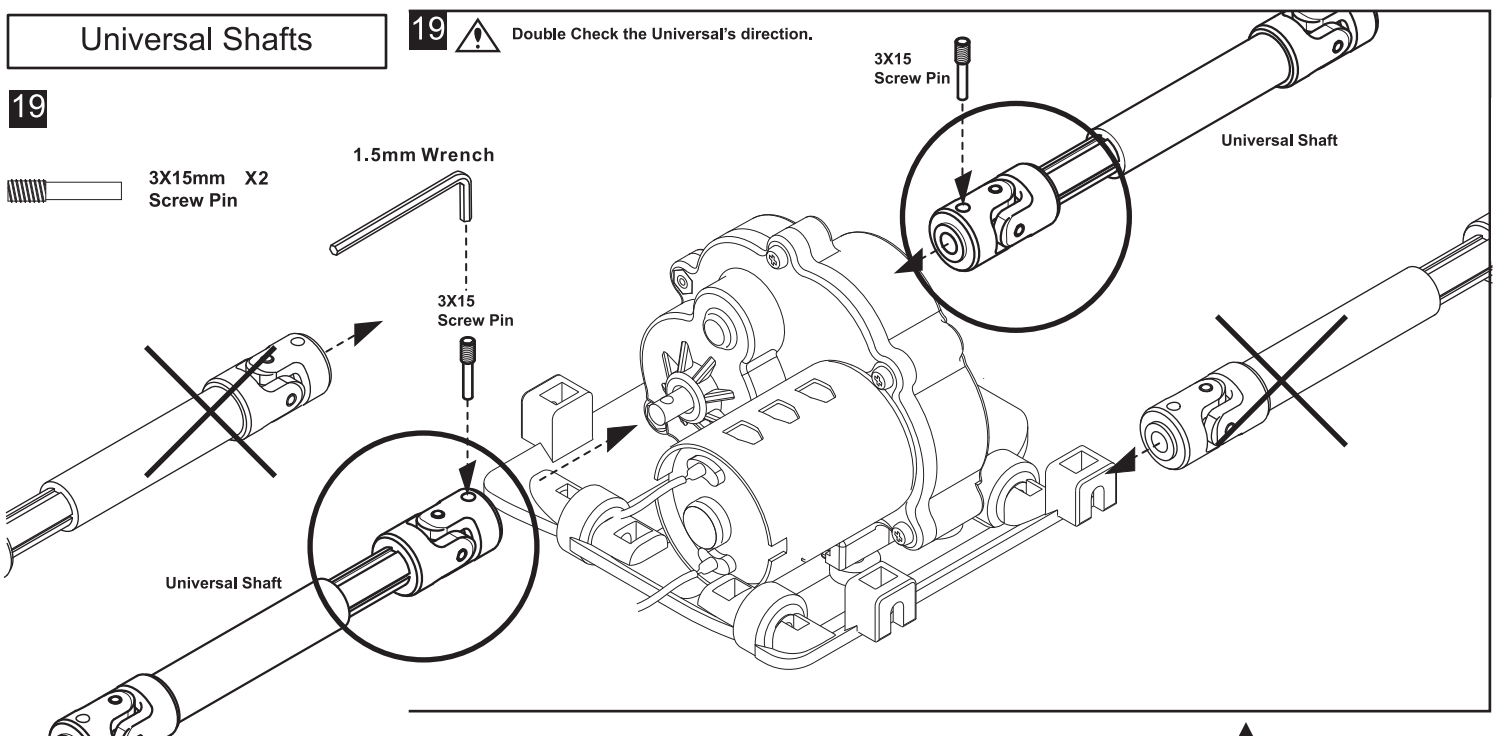
1.5mm Wrench



3X15
Screw Pin

3X15
Screw Pin

Universal Shaft



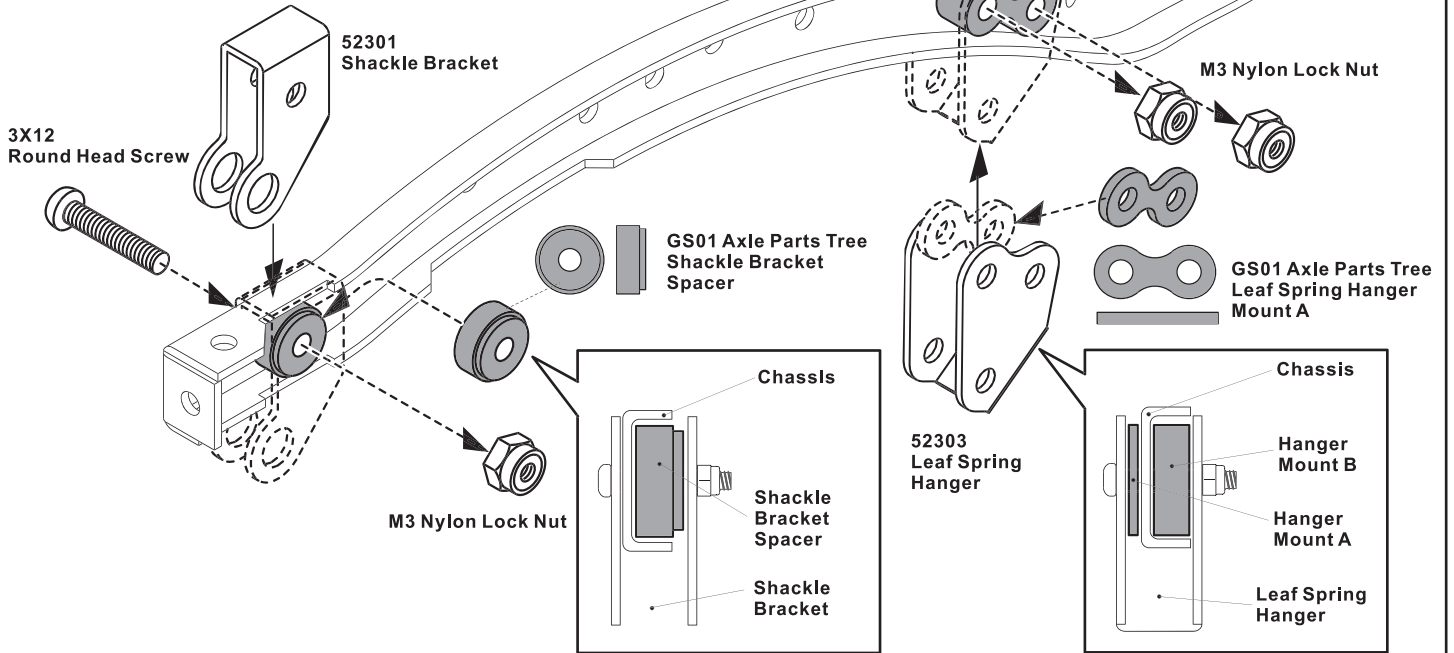
Universal Shaft

Front Leaf Spring Mount Assembly

20 3X16 X2 Round Head Screw

3X12 X1 Round Head Screw

M3 Nylon Lock Nut X3

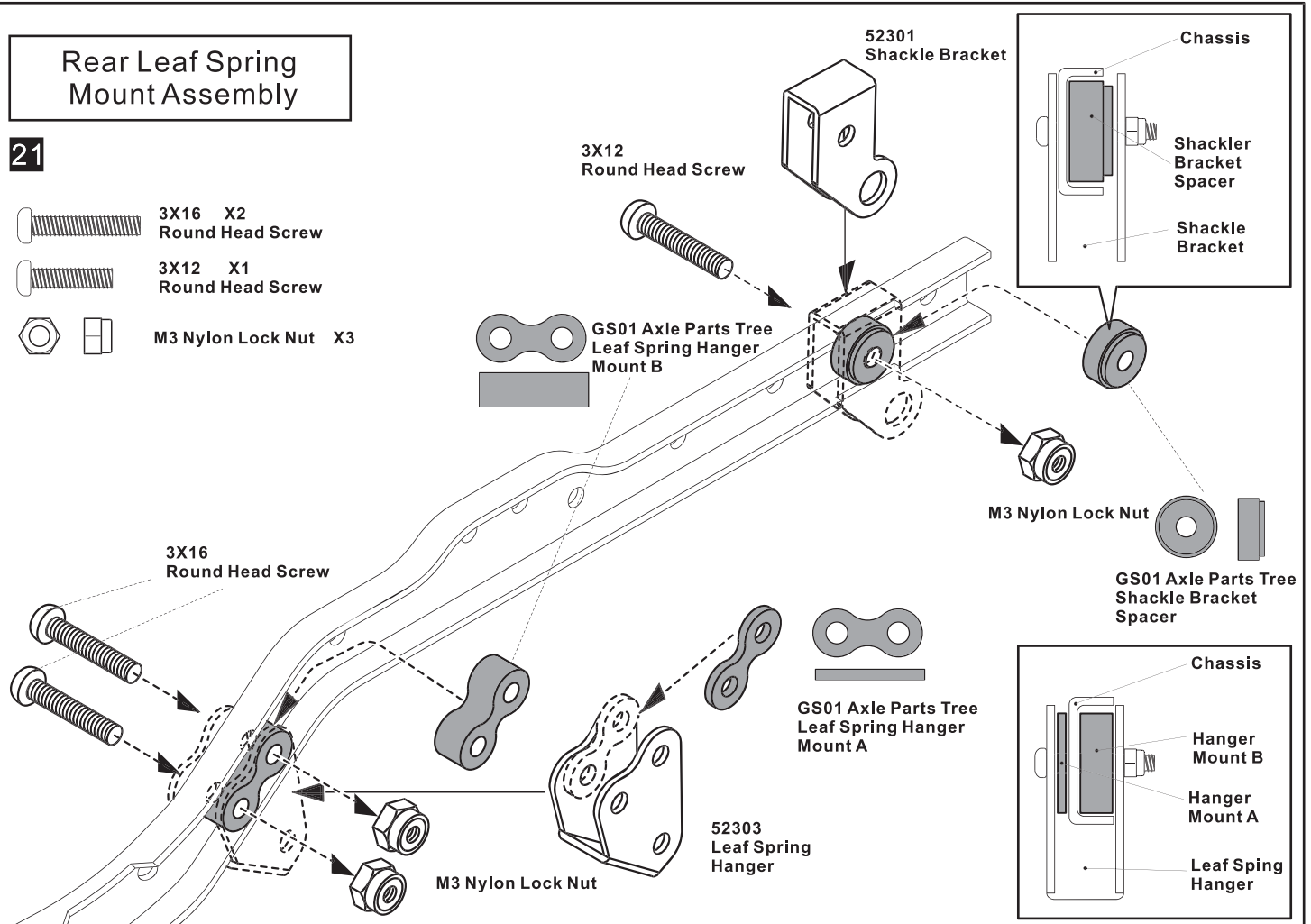


Rear Leaf Spring Mount Assembly

21 3X16 X2 Round Head Screw

3X12 X1 Round Head Screw

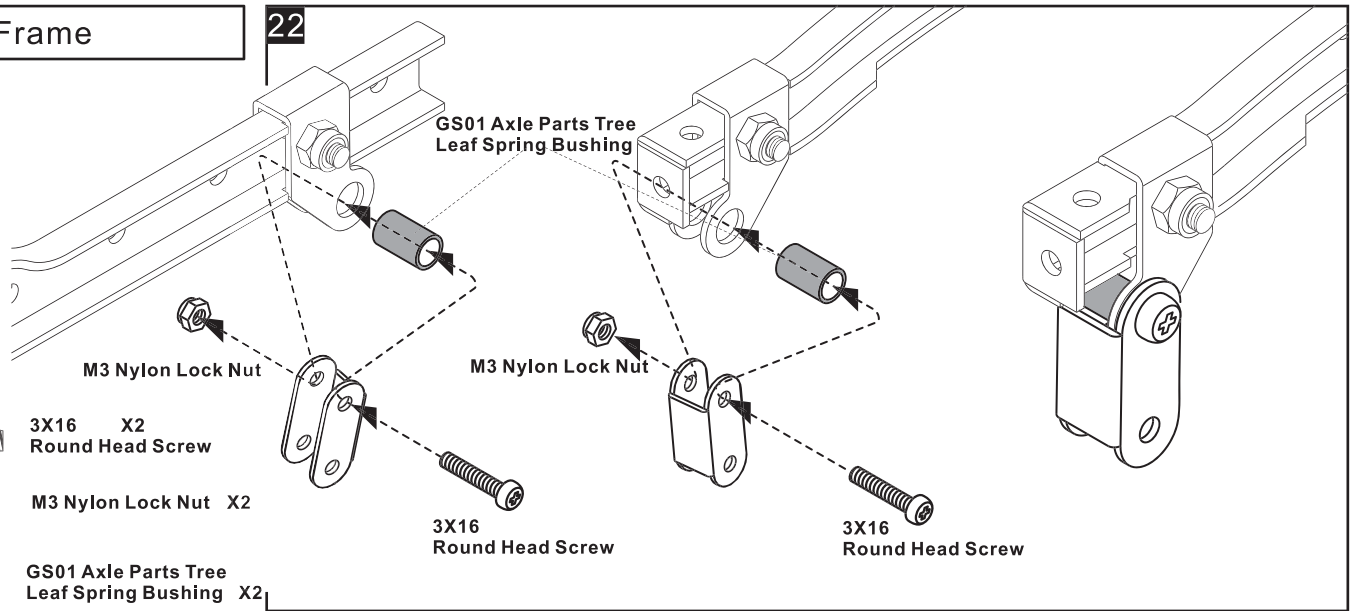
M3 Nylon Lock Nut X3



Frame




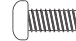
22

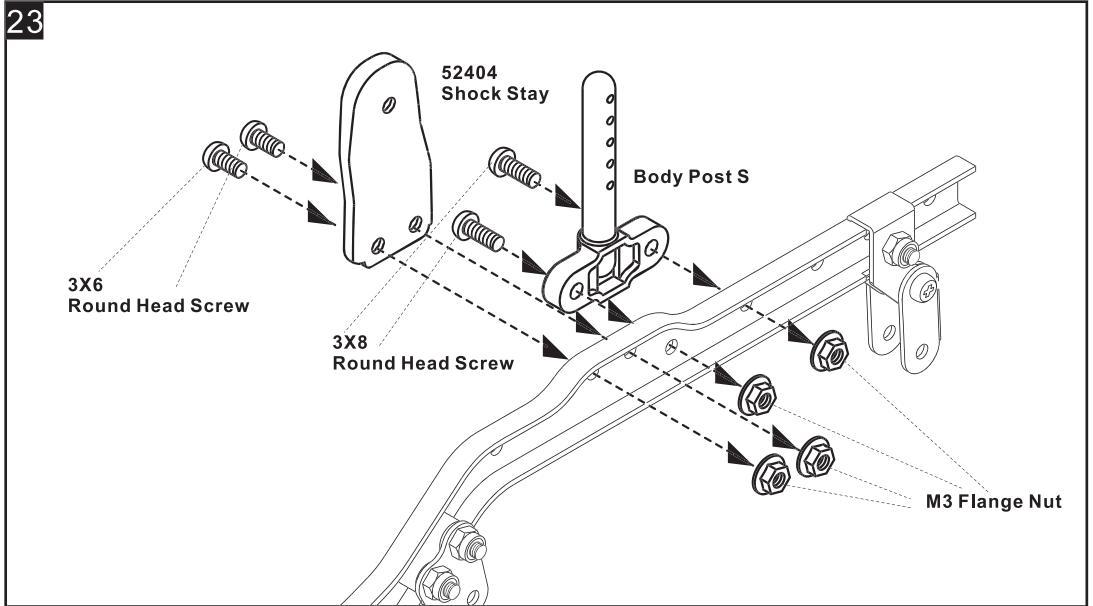
22



23




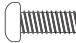
23

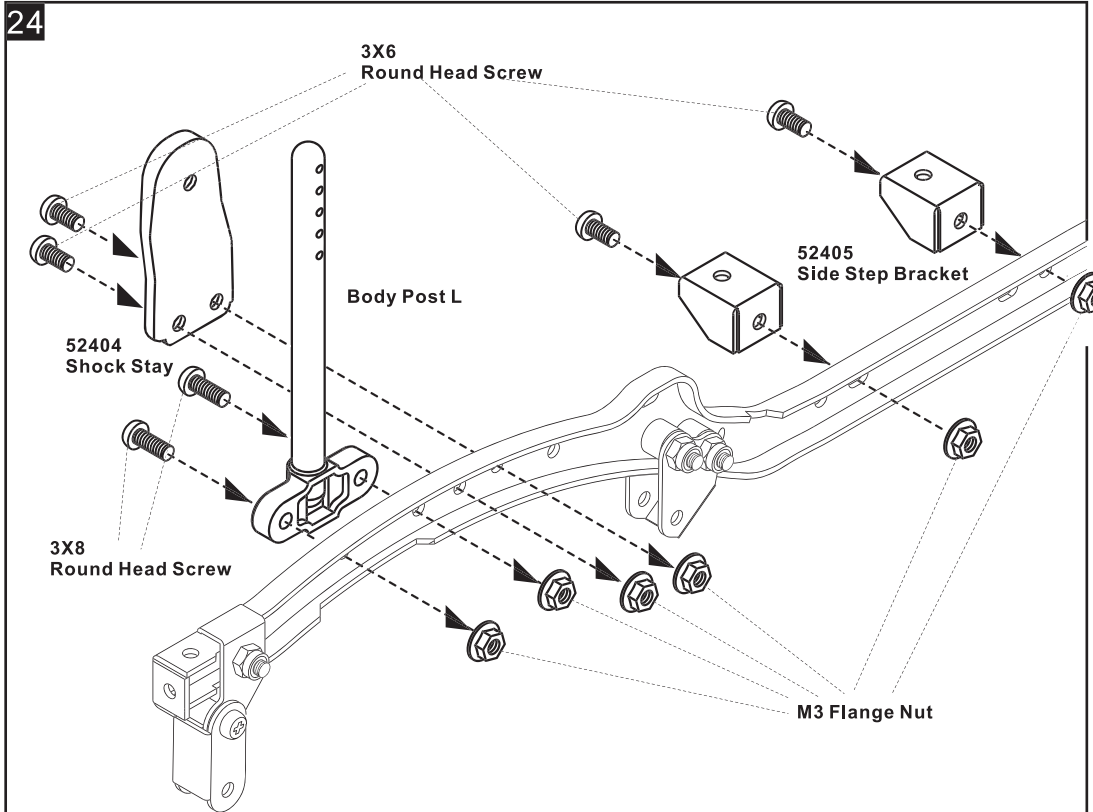
-   M3 Flange Nut X4
-  3X6 X2 Round Head Screw
-  3X8 X2 Round Head Screw

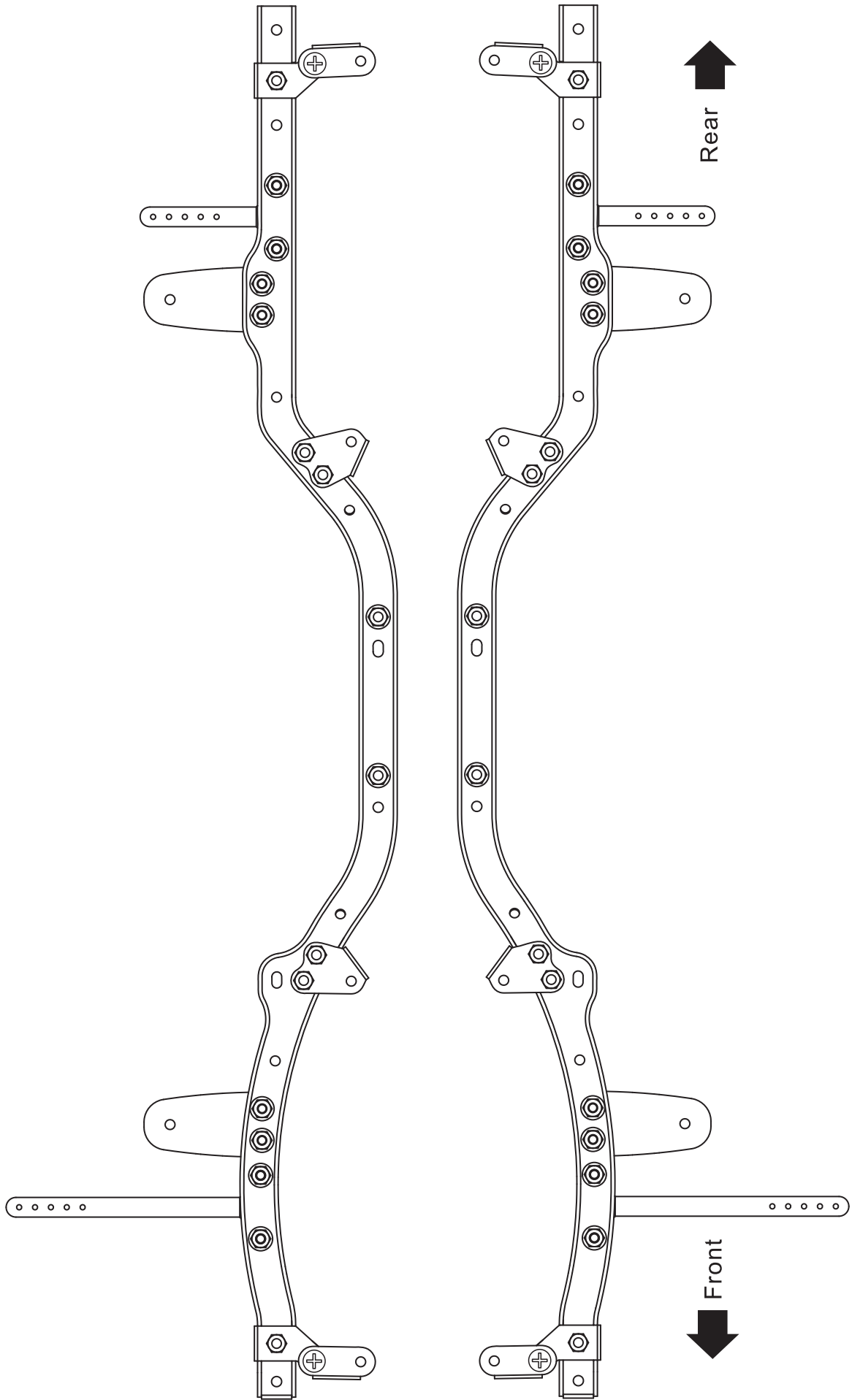


24

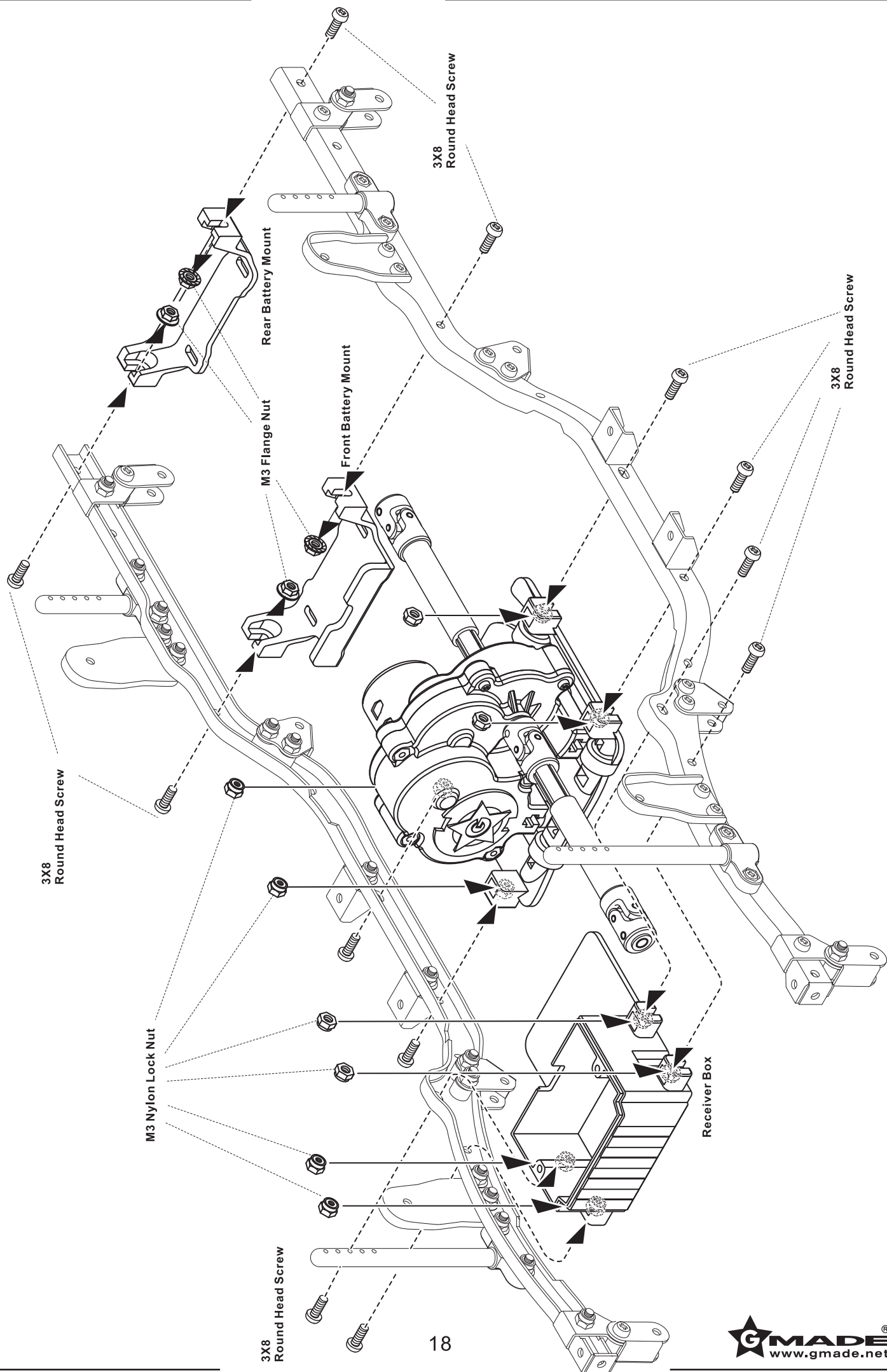
24

-   M3 Flange Nut X6
-  3X6 X4 Round Head Screw
-  3X8 X2 Round Head Screw





Assemble other Right side in same.



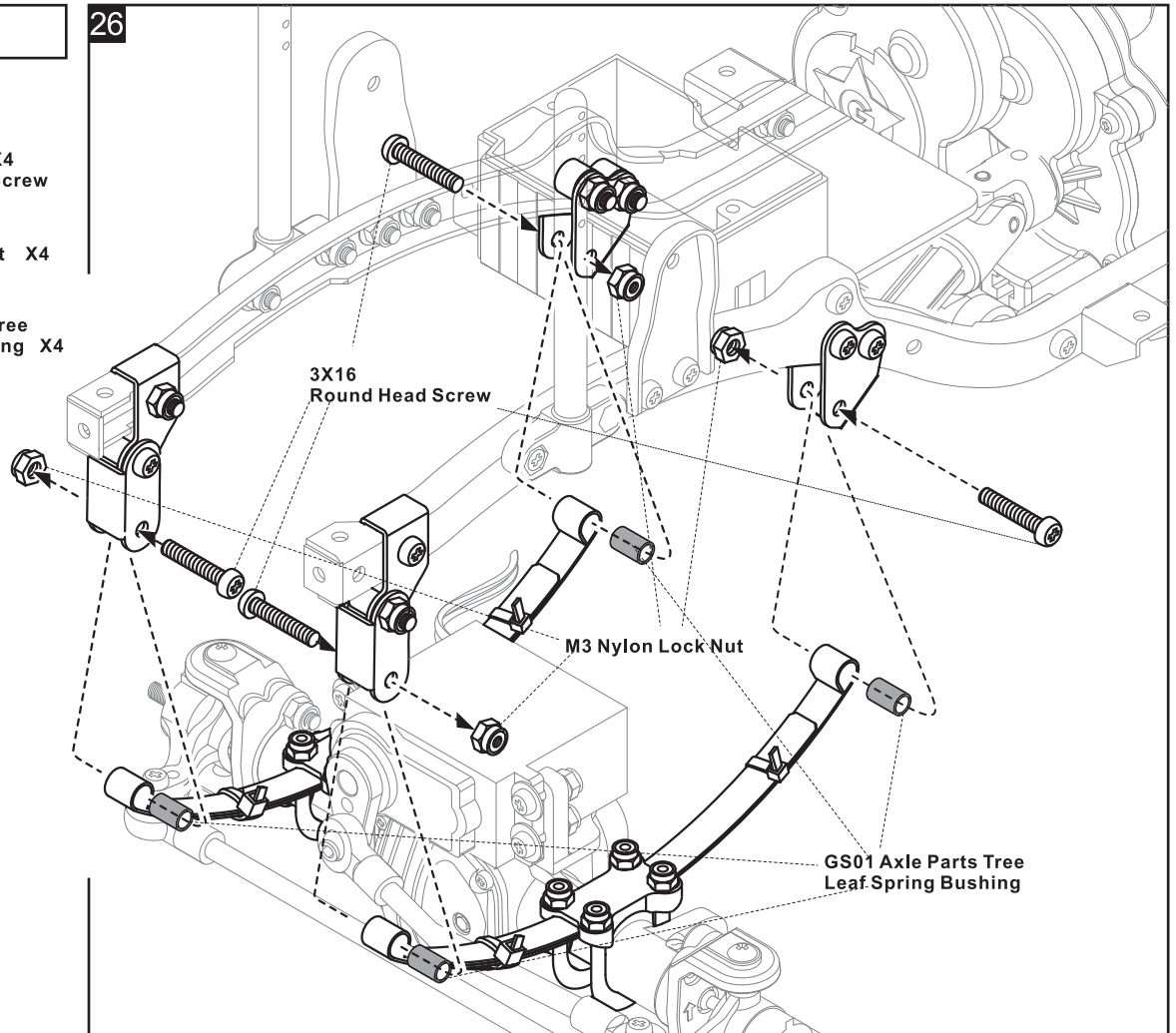
Chassis & Axles

26

 3X16mm X4
Round Head Screw

 M3 Nylon Lock Nut X4

 GS01 Axle Parts Tree
Leaf Spring Bushing X4



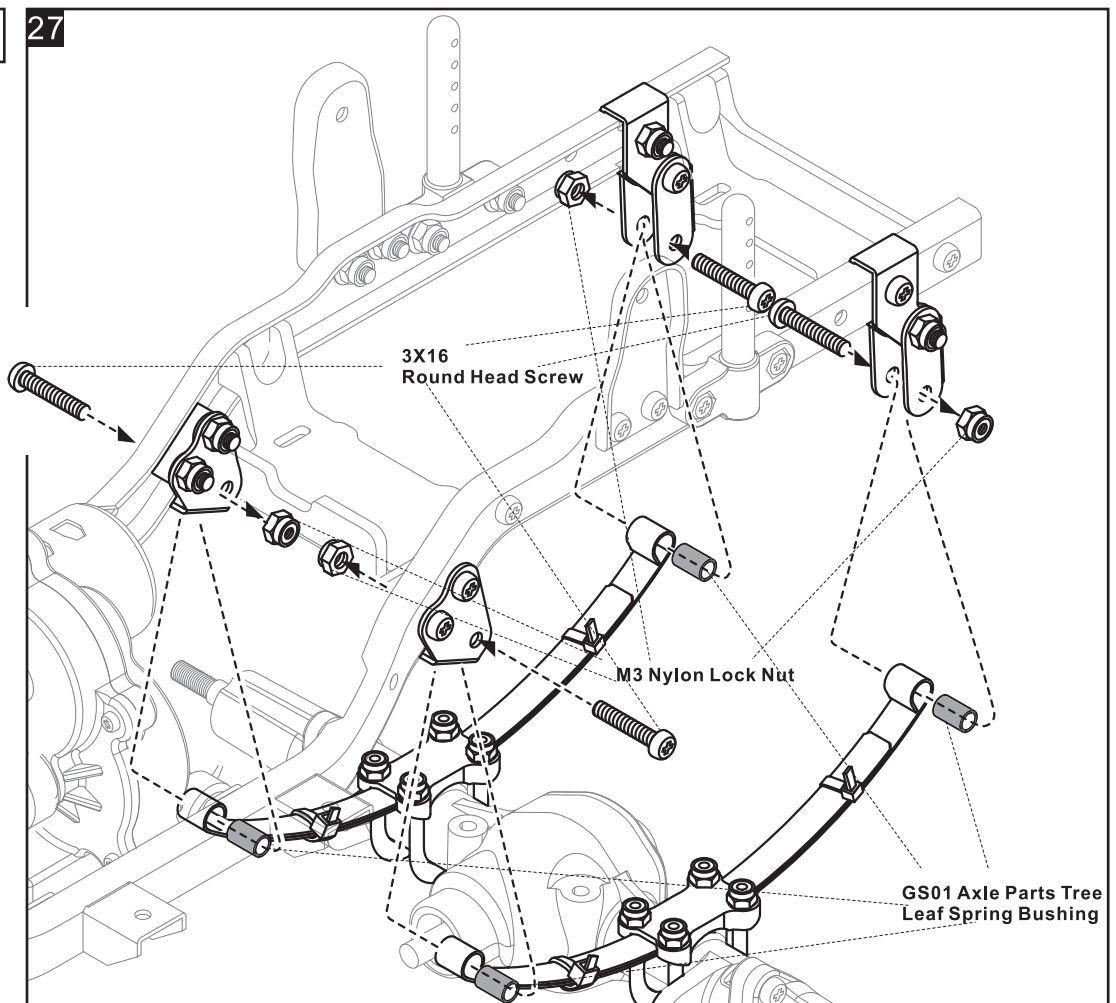
Chassis & Axles

27

 3X16mm X4
Round Head Screw

 M3 Nylon Lock Nut X4

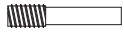
 GS01 Axle Parts Tree
Leaf Spring Bushing X4



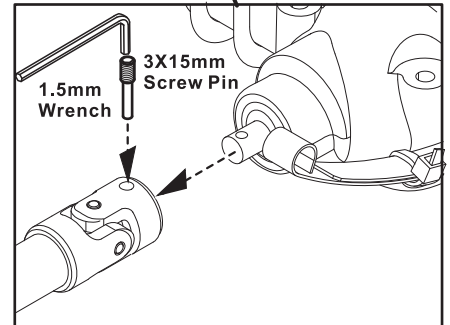
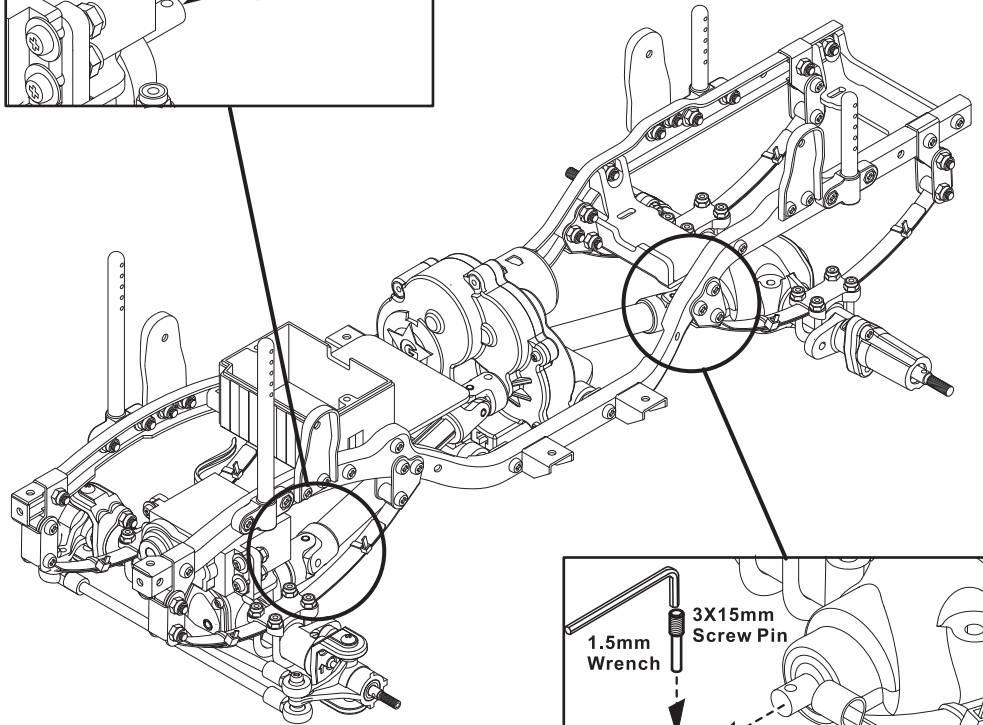
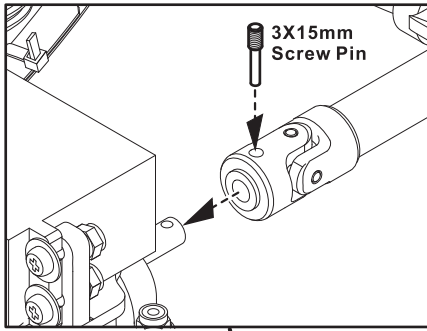
Universal Pin

28

3X15mm X2
Screw Pin



28



Shock Assembly

29

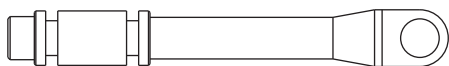
S5 O-Ring X8



0020045
C-Ring X4



0020043
Shock Spring X4

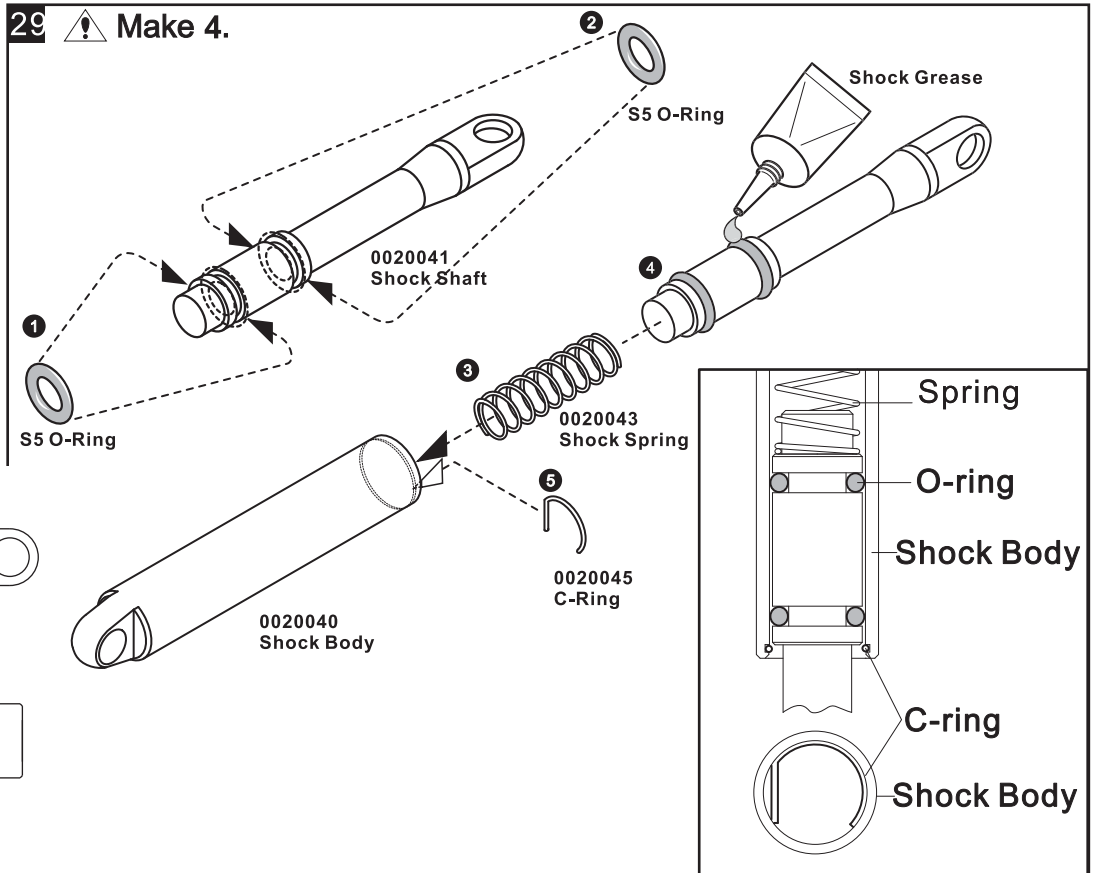


0020041
Shock Shaft X4



0020040
Shock Body X4

29 ⚠ Make 4.





Chassis & Shock

30

30

 3X20mm X4
Round Head Screw

 3X18mm X4
Round Head Screw

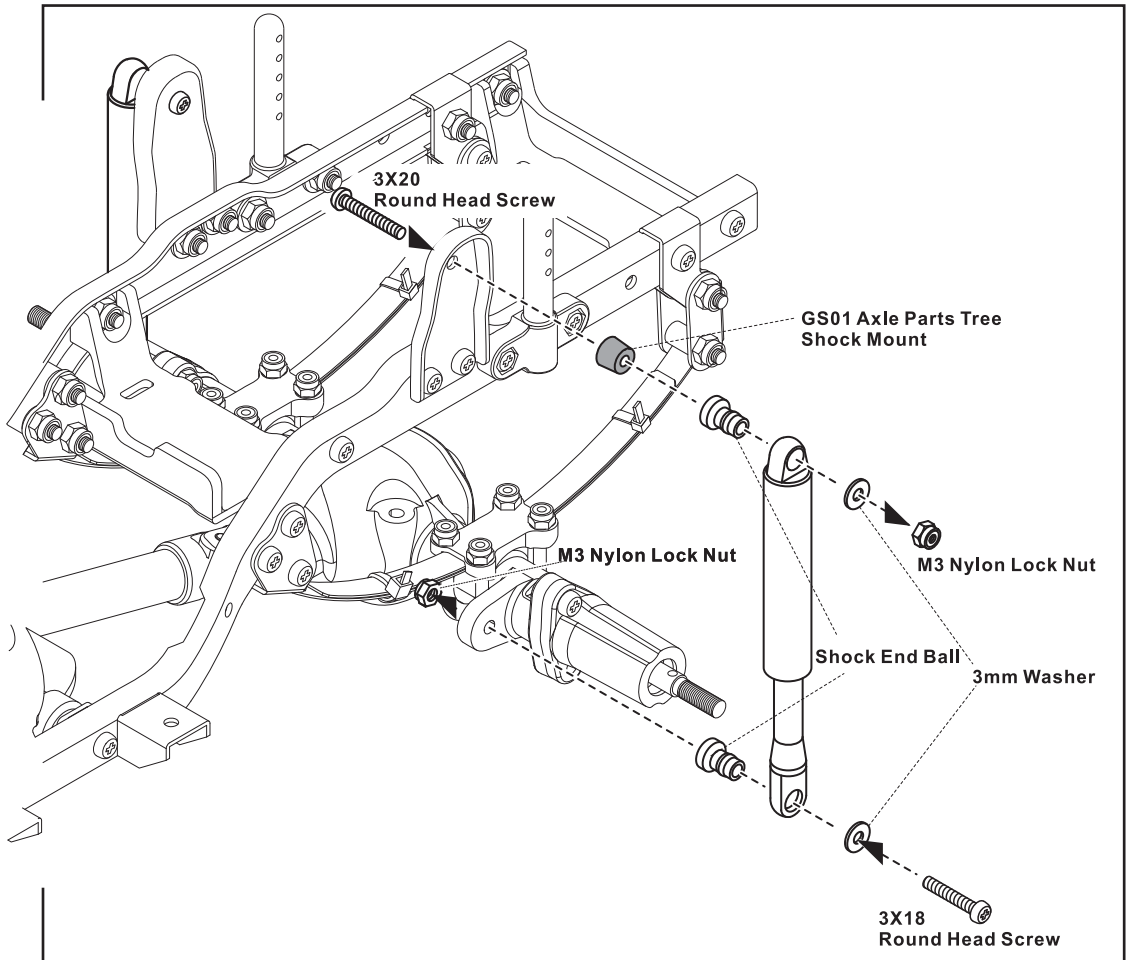
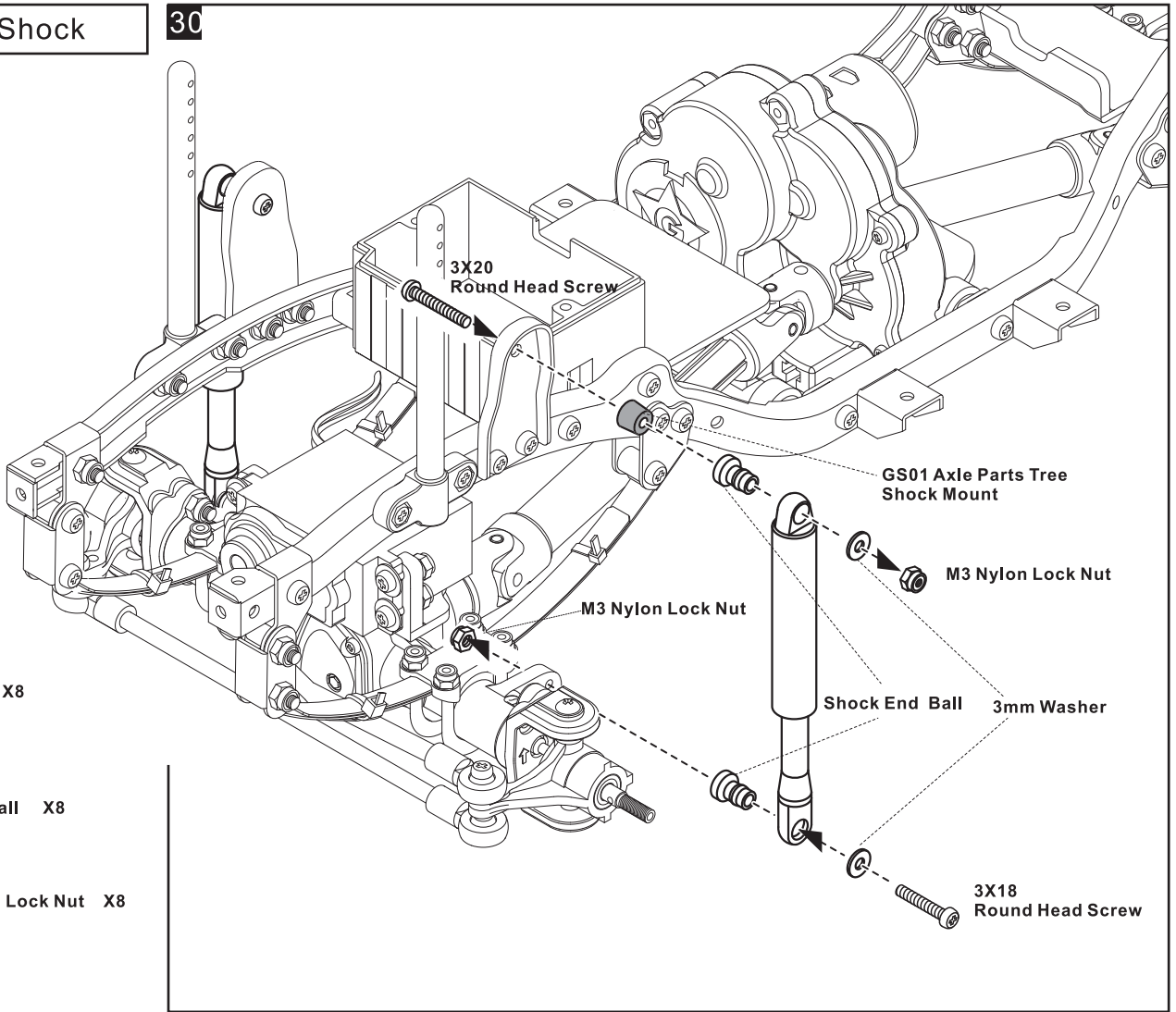
 3mm Washer X8

 0020042
Shock End Ball X8

 M3 Nylon Lock Nut X8



GS01 Axle Parts Tree
Shock Mount X4



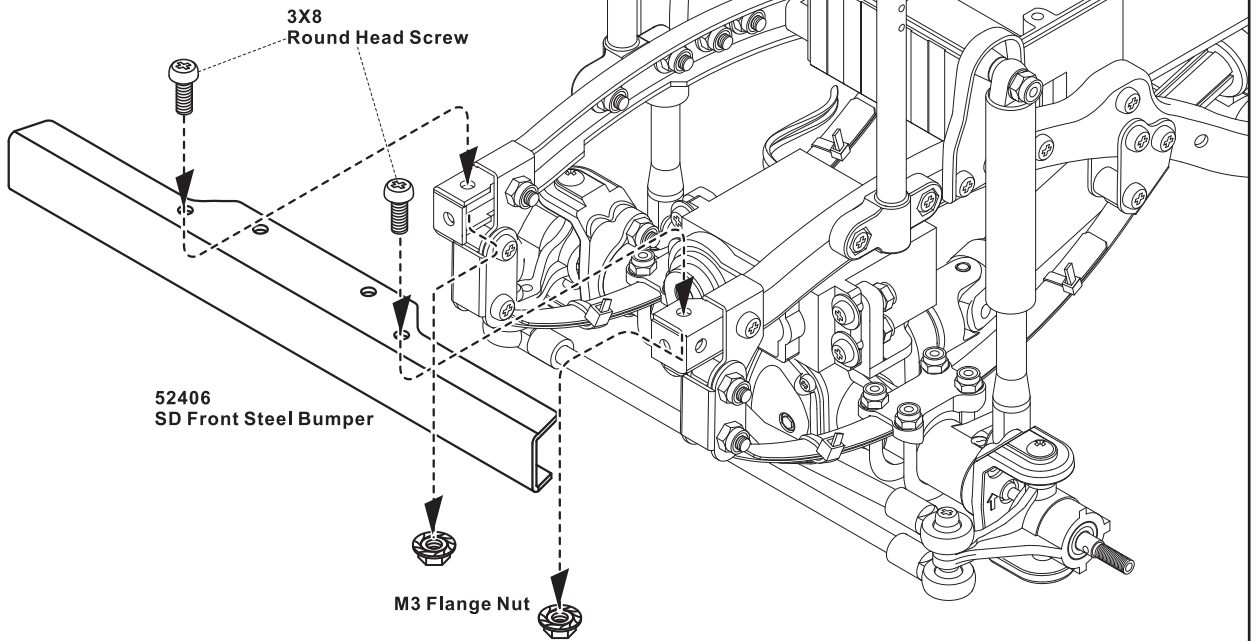
Bumper

31

31

3X8mm X2
Round Head Screw

M3 Flange Nut X2



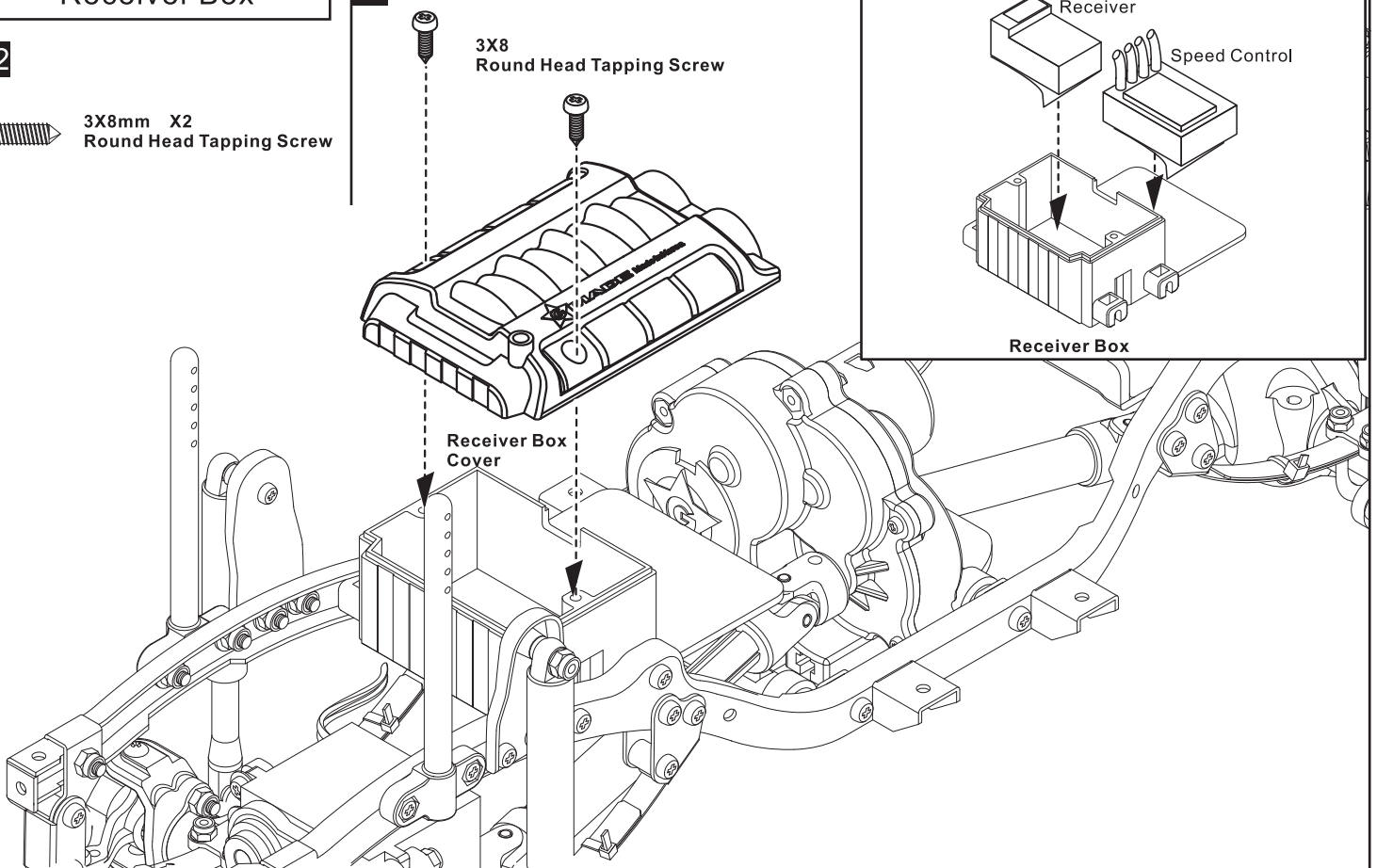
Receiver Box

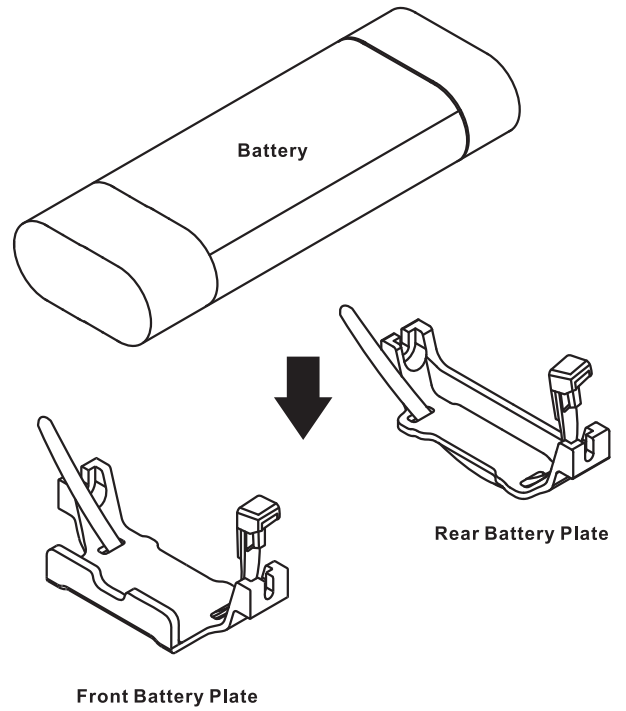
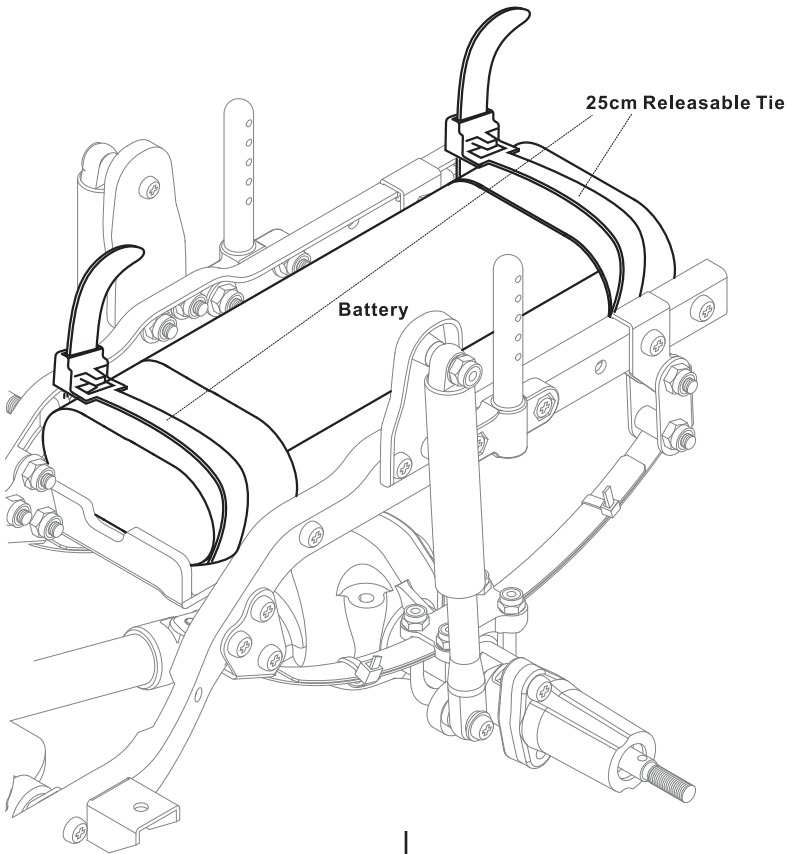
32

32

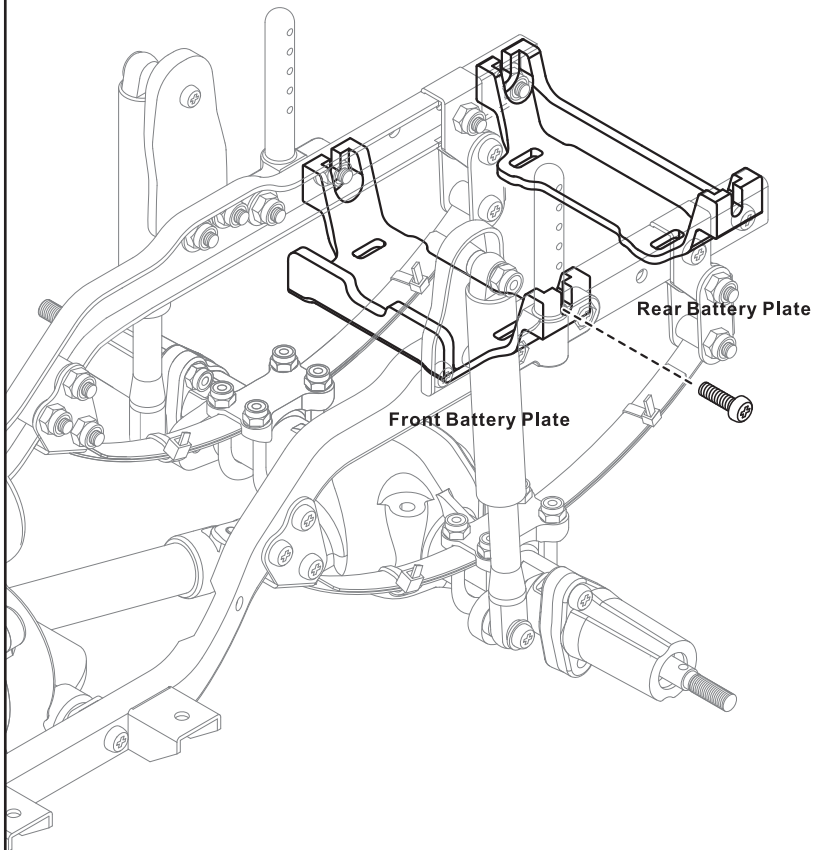
3X8mm X2
Round Head Tapping Screw

3X8mm X2
Round Head Tapping Screw





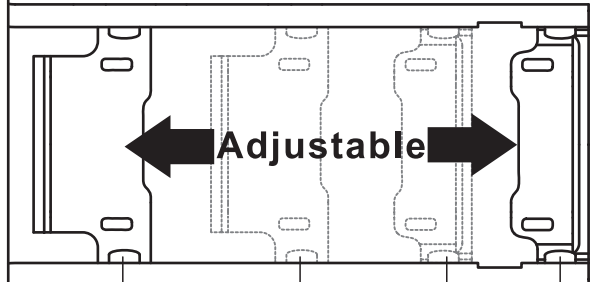
Adjustable Battery Plate Settings



Battery plate can be placed in each marked Holes.

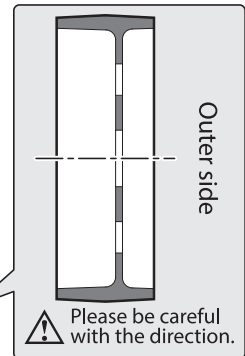
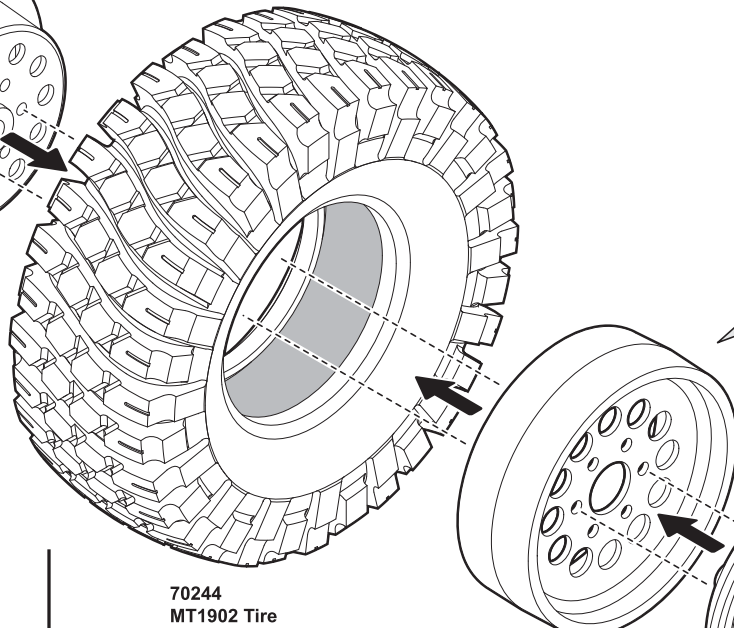
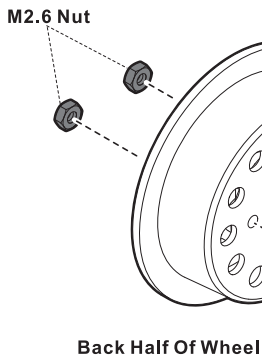
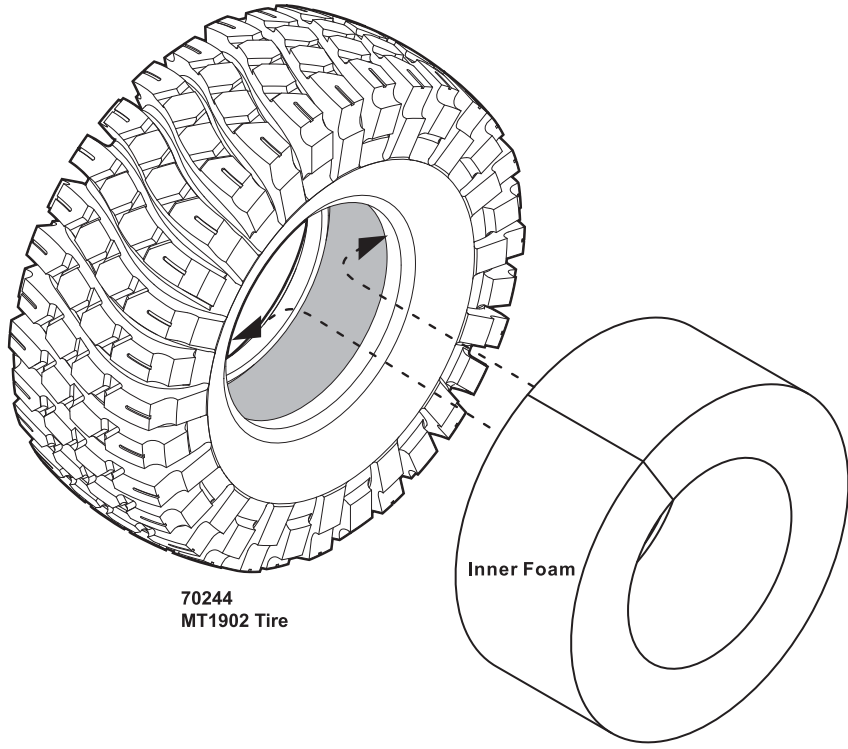
Front Battery Plate

Rear Battery Plate



3X10mm Round Head Screw

3X10mm bolts needed to used when adjusting battery plate & body post together in same position.



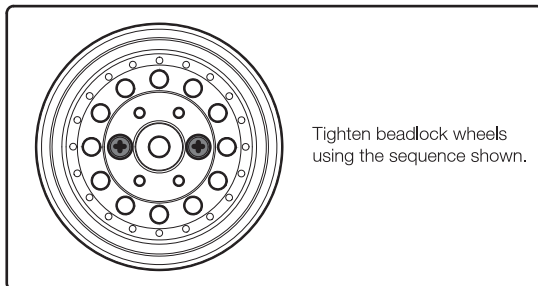
34

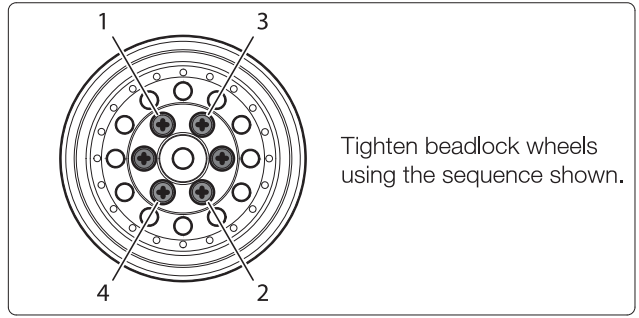
2.6X16mm X2
Round head screw

M2.6 Nut X2

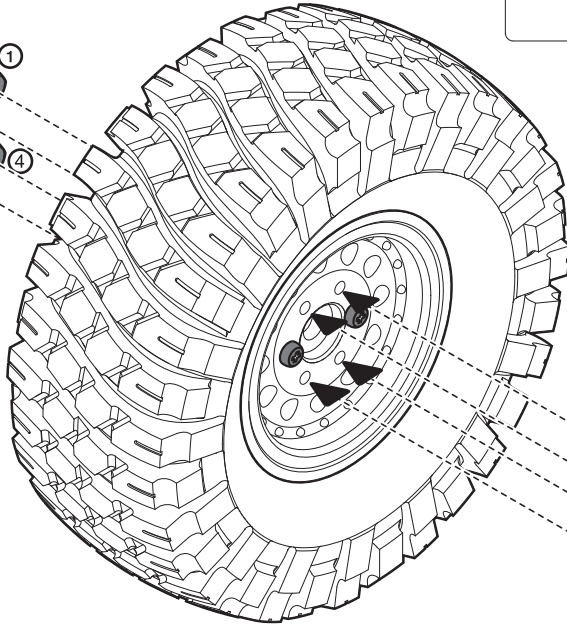
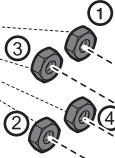
Front Half Of Wheel

2.6X16
Round Head Screw






M2.6 Nut



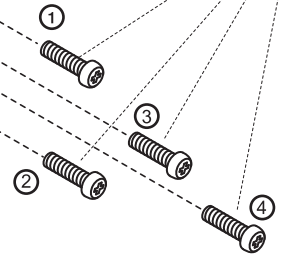
35


 2.6X10mm X6
 Round head screw

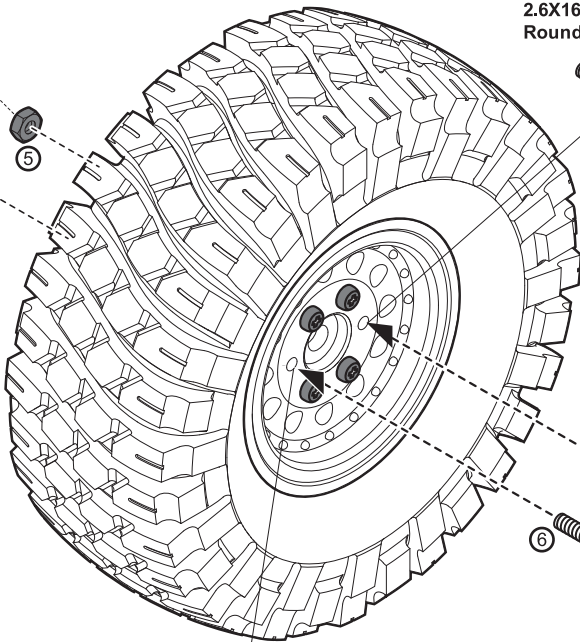
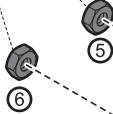


 M2.6 Nut X4

2.6X10mm Round head screw



M2.6 Nut

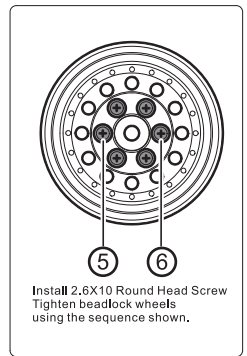
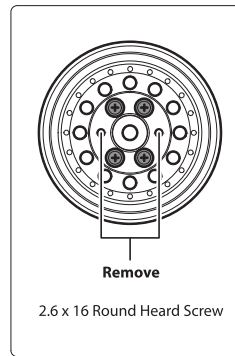


Remove
 2.6X16mm
 Round head screw



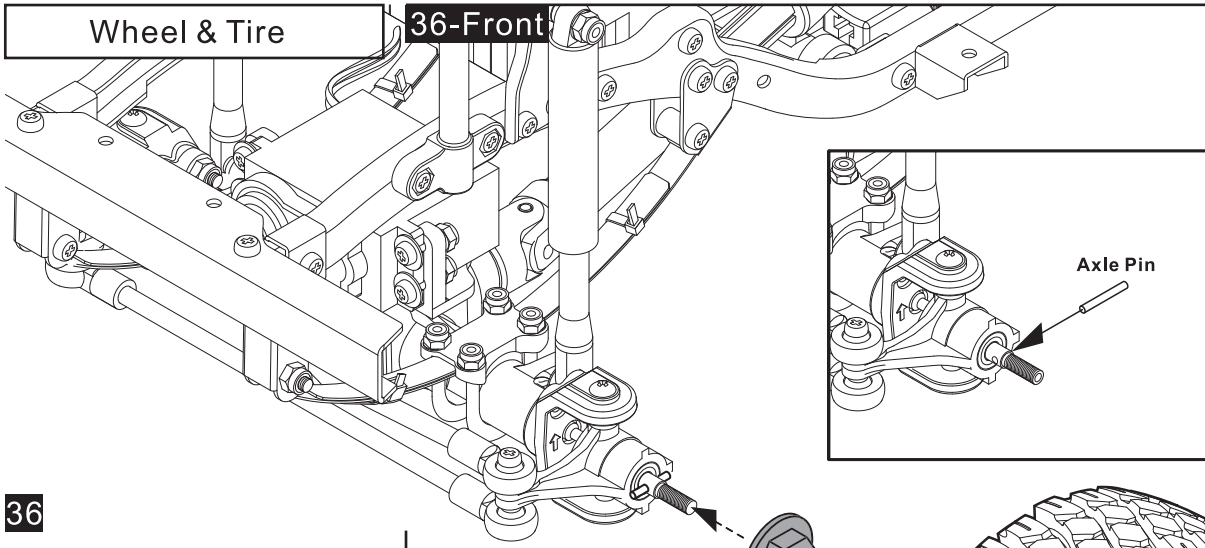
2.6X10mm
 Round head screw

Remove
 2.6X16mm
 Round head screw



Wheel & Tire

36-Front

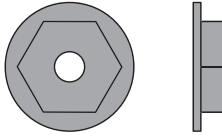


Axle Pin

36

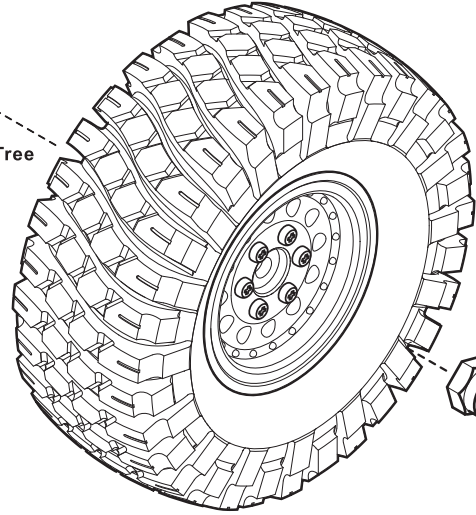
Axle Pin X4

M4 Wheel Nut X4



GS01 Axle Part Tree Wheel Hex Hub A X4

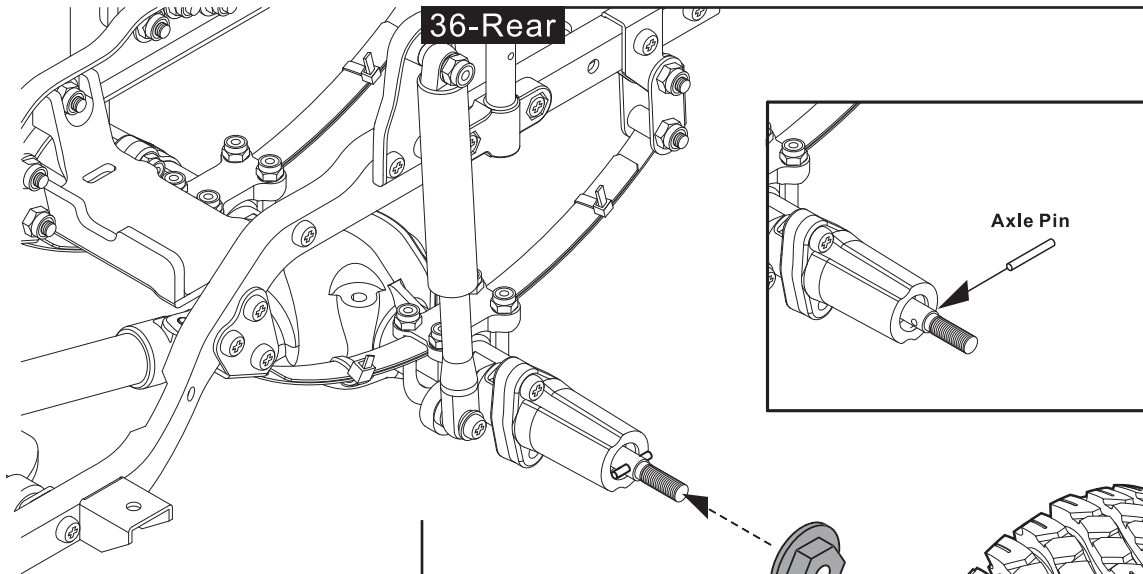
GS01 Axle Parts Tree Wheel Hex Hub A



M4 Wheel Nut

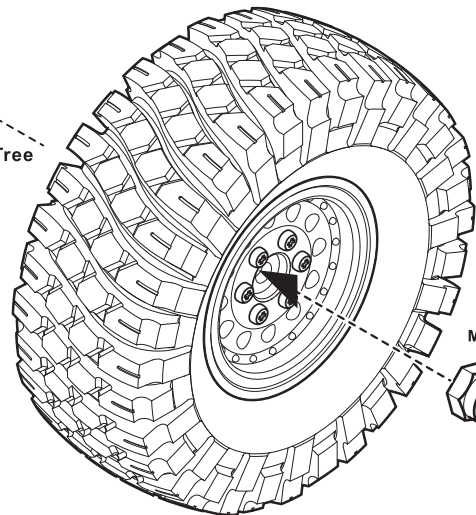
Box Wrench

36-Rear



Axle Pin

GS01 Axle Parts Tree Wheel Hex Hub A



M4 Wheel Nut

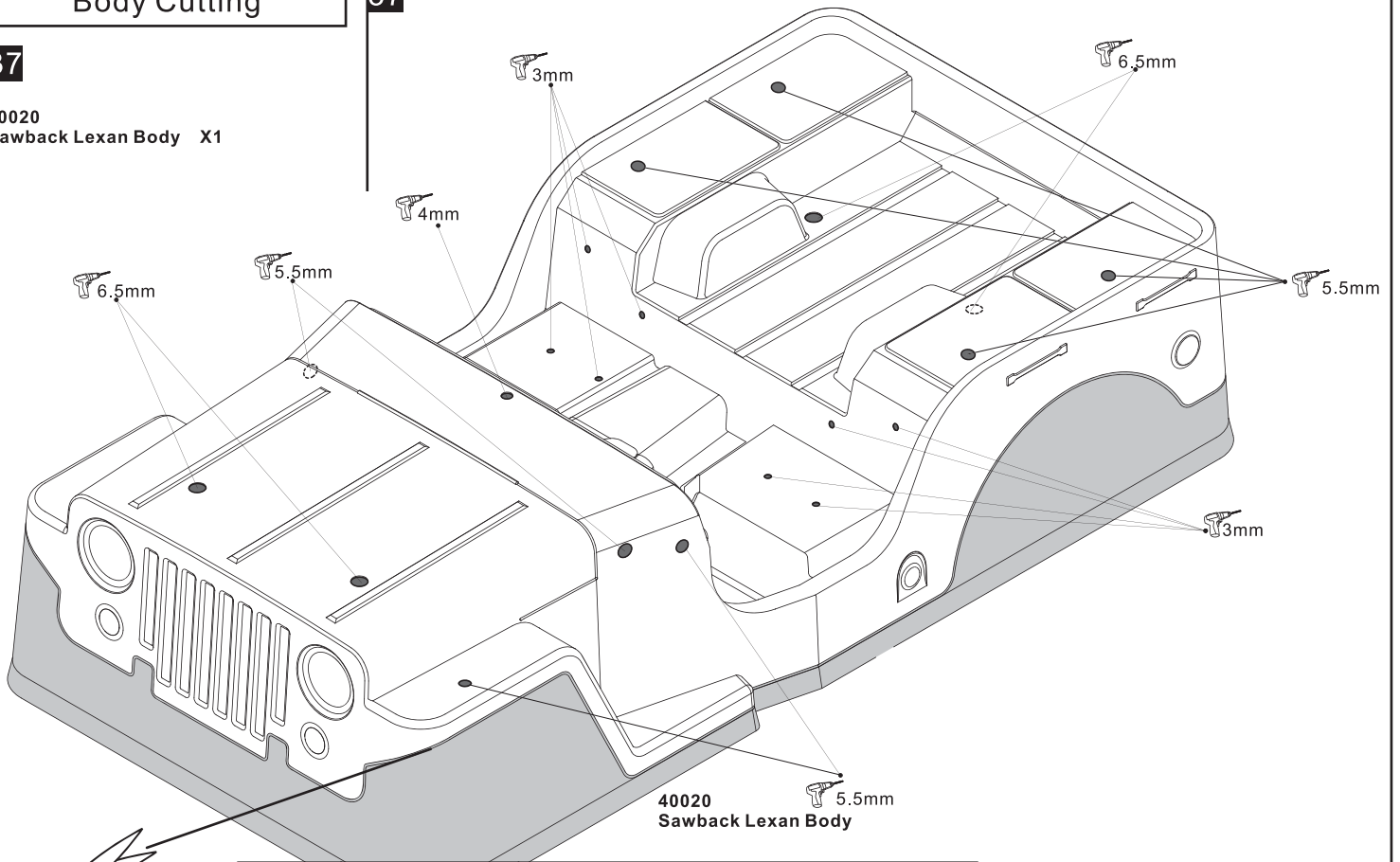
Box Wrench

Body Cutting

37

37

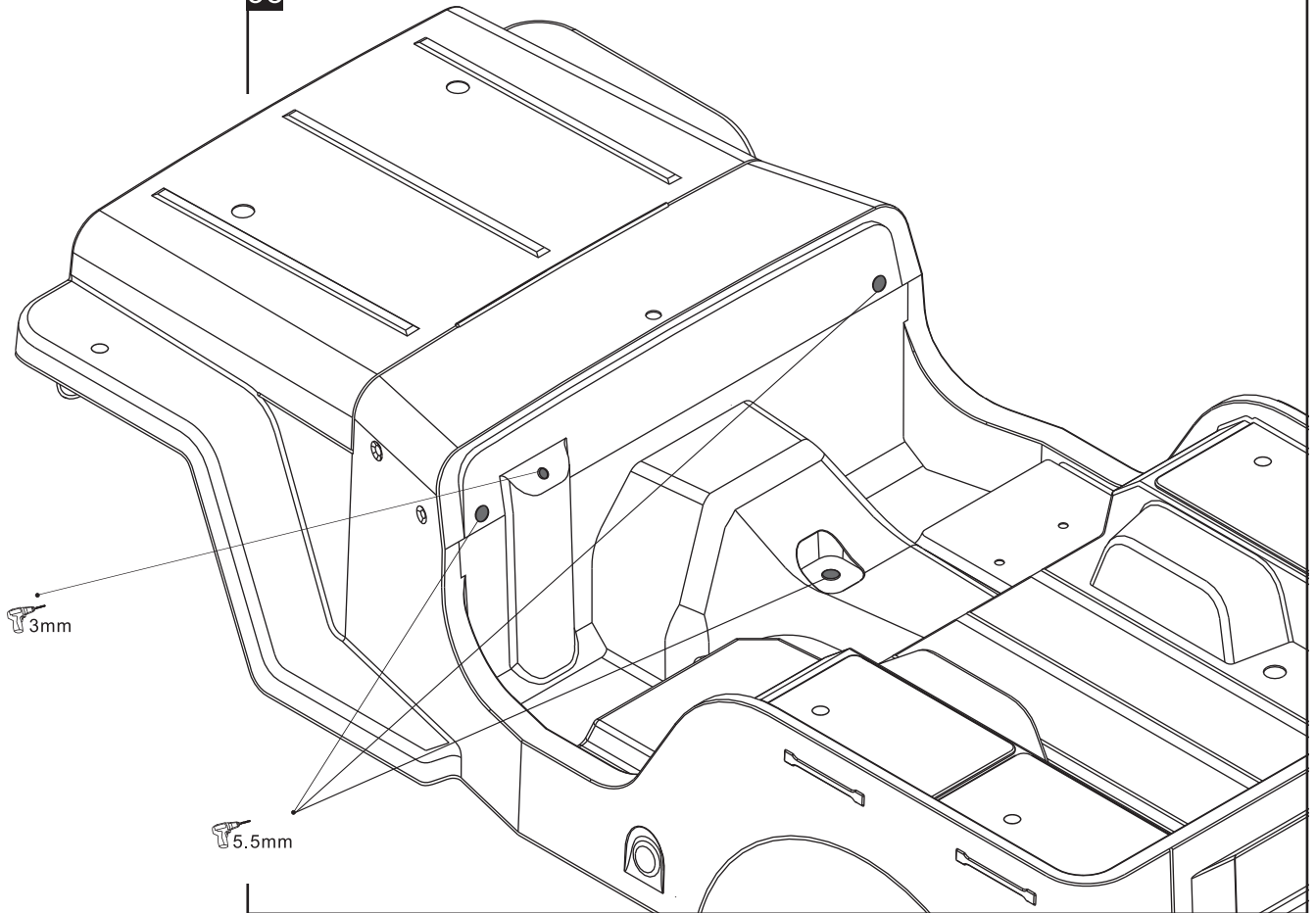
40020
Sawback Lexan Body X1



1:1
Size Hole

3mm 4mm 5.5mm 6.5mm

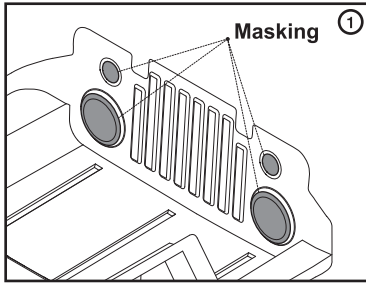
38



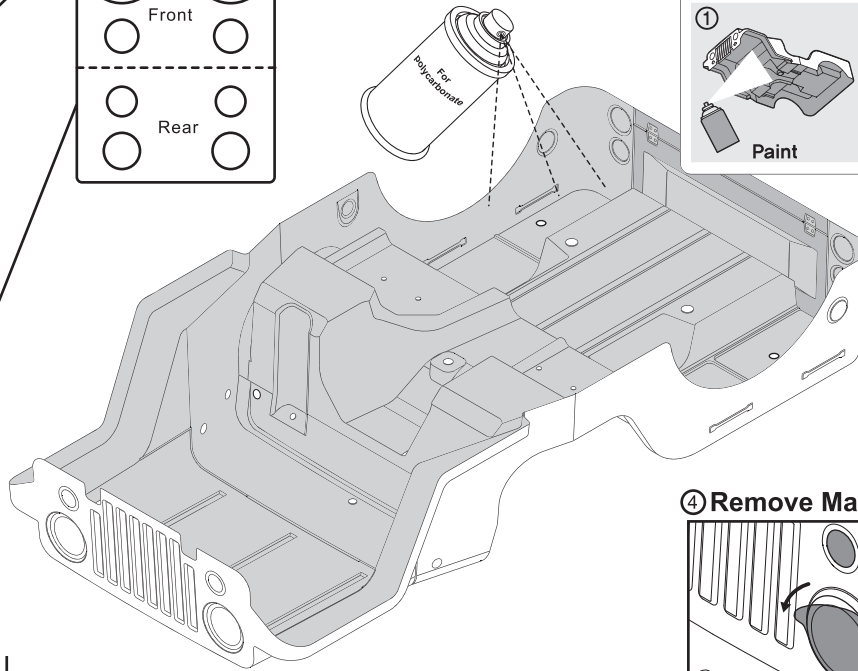
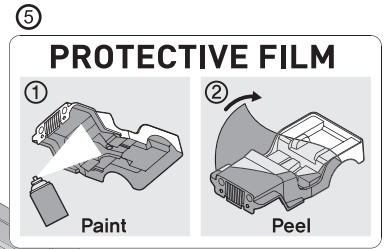
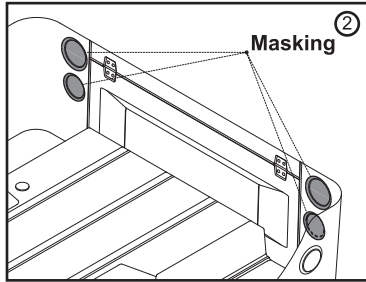
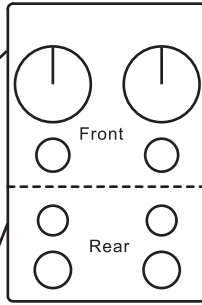
Body Painting

39

Wash the body Thoroughly with detergent in order to remove any oil, then rinse well and allow to air dry.



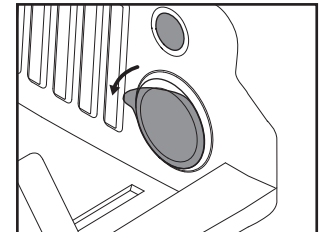
Masking Tape



40020 Sawback Lexan Body

③ Body Painting

④ Remove Masking Tape



Front L, Front R, Rear L, Rear R

39

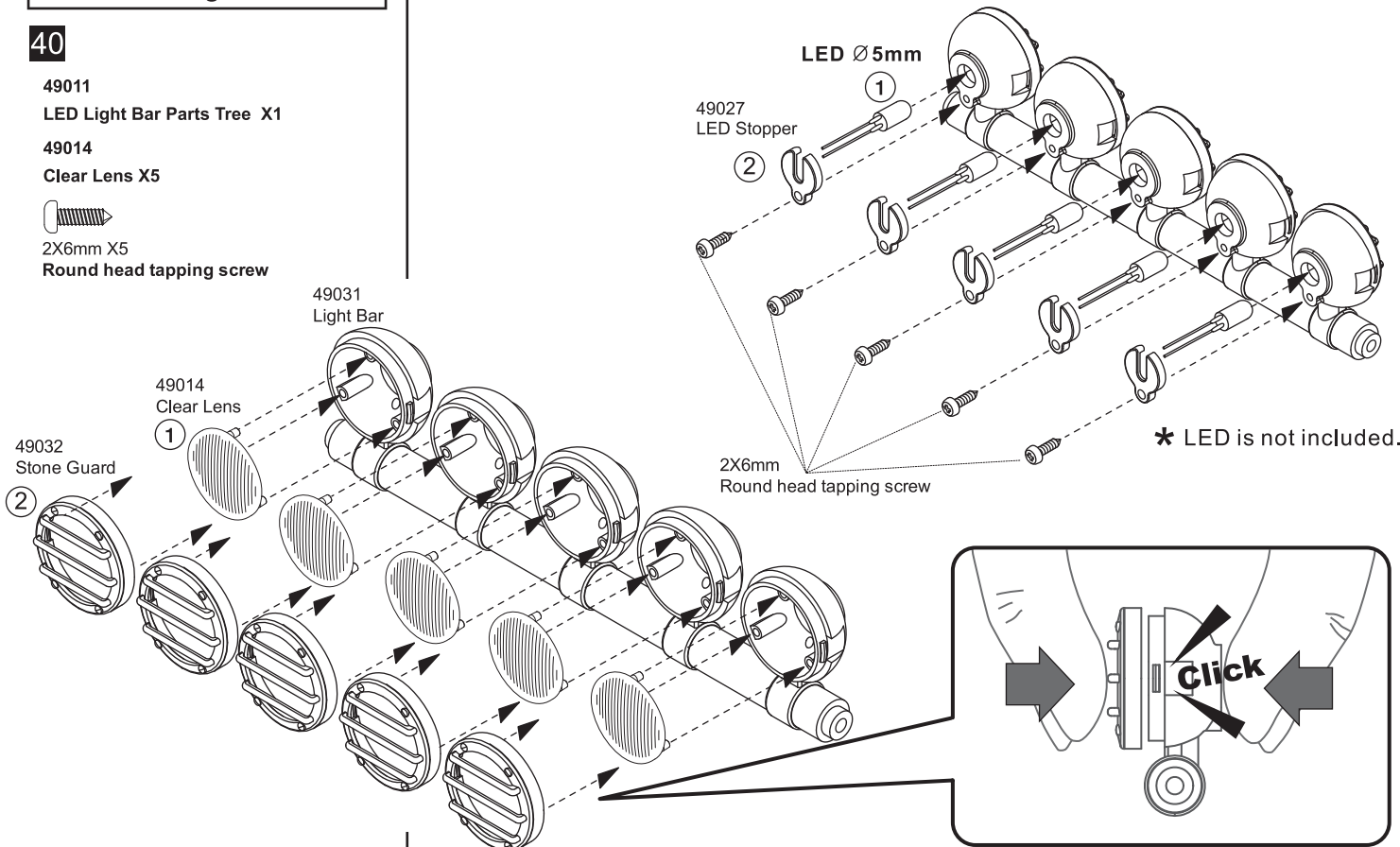
49017 X1
Masking Tape

LED Light Bar

40

40

49011
LED Light Bar Parts Tree X1
49014
Clear Lens X5
 2X6mm X5
Round head tapping screw



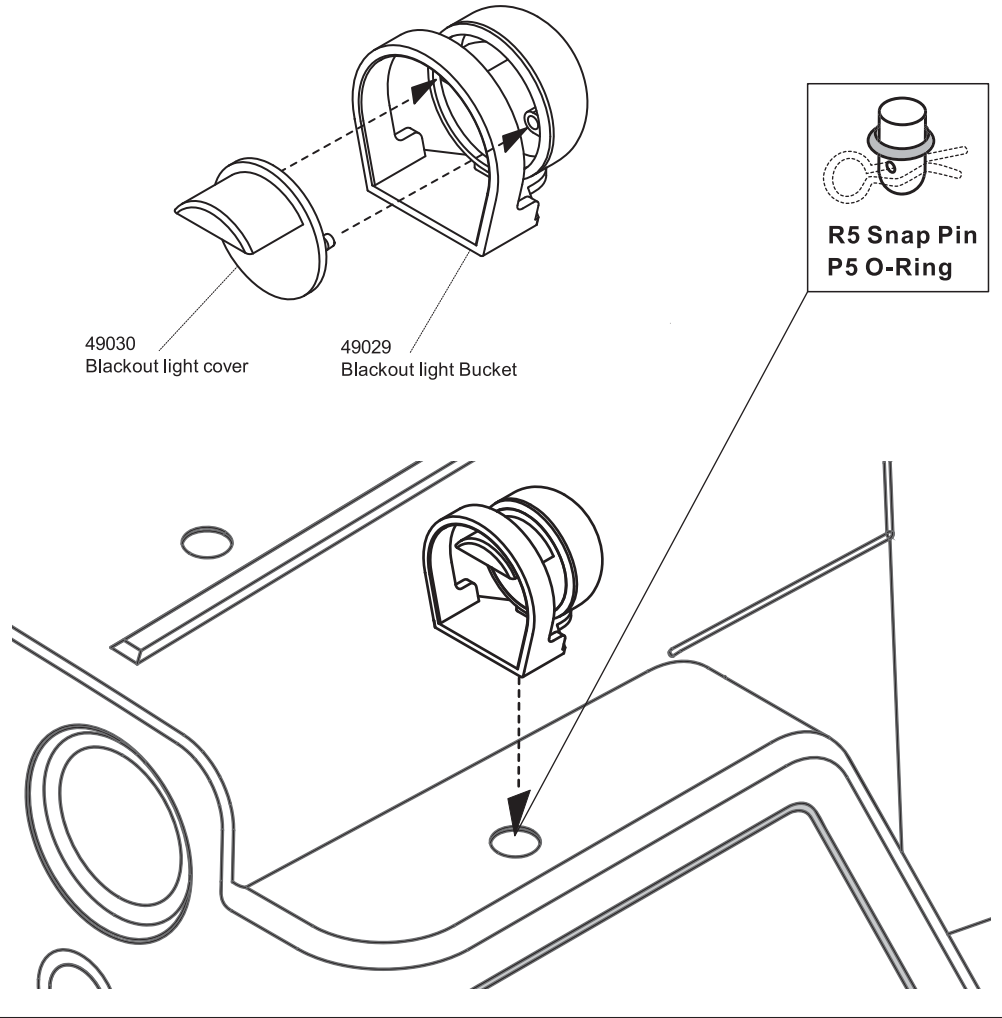
Blackout light Bucket

41

49013
Fog LED Light & Accessories Parts Tree



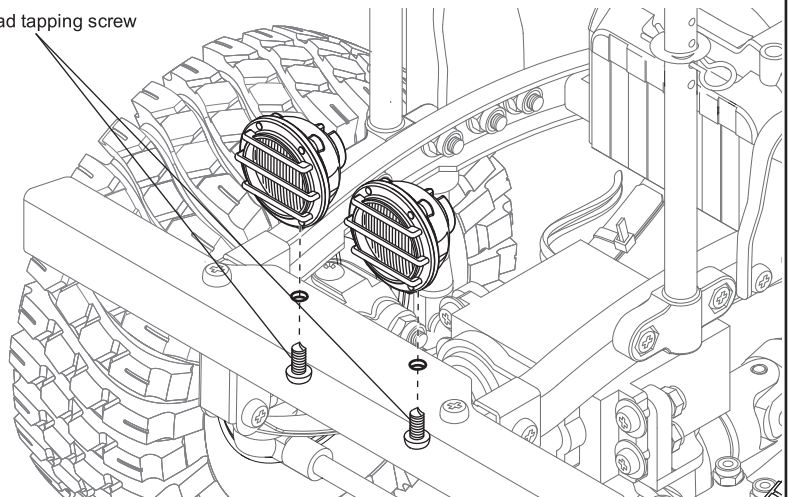
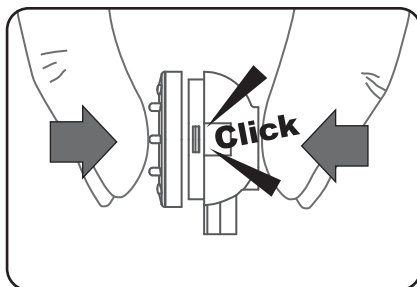
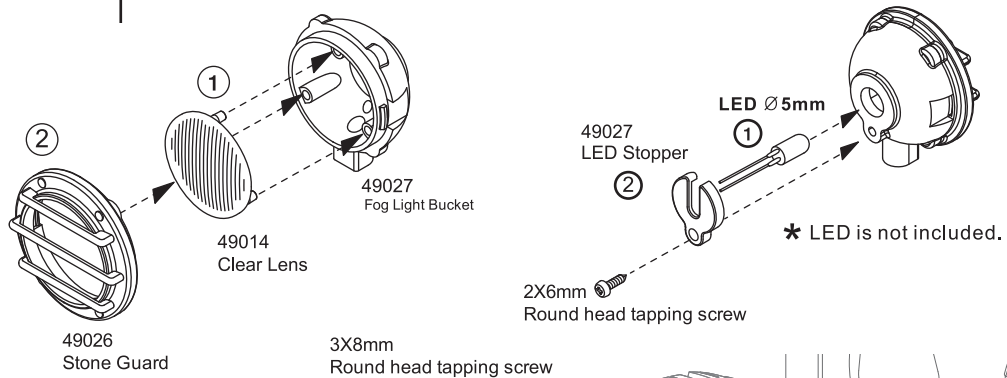
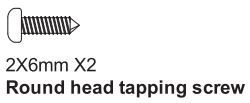
41



Fog Light Bucket

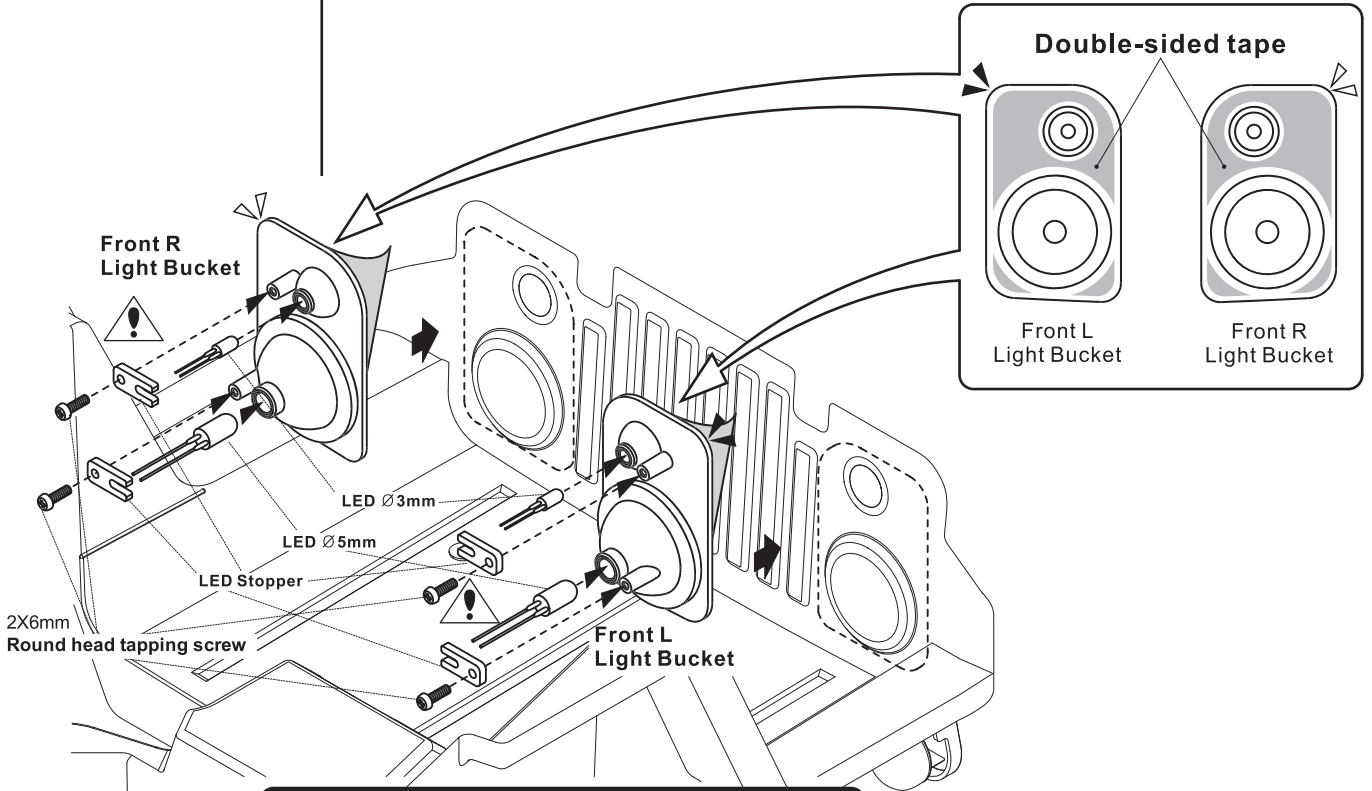
42

42 ⚠ Make 2.



Light Bucket

43



⚠ Please be ware of short. ⚠

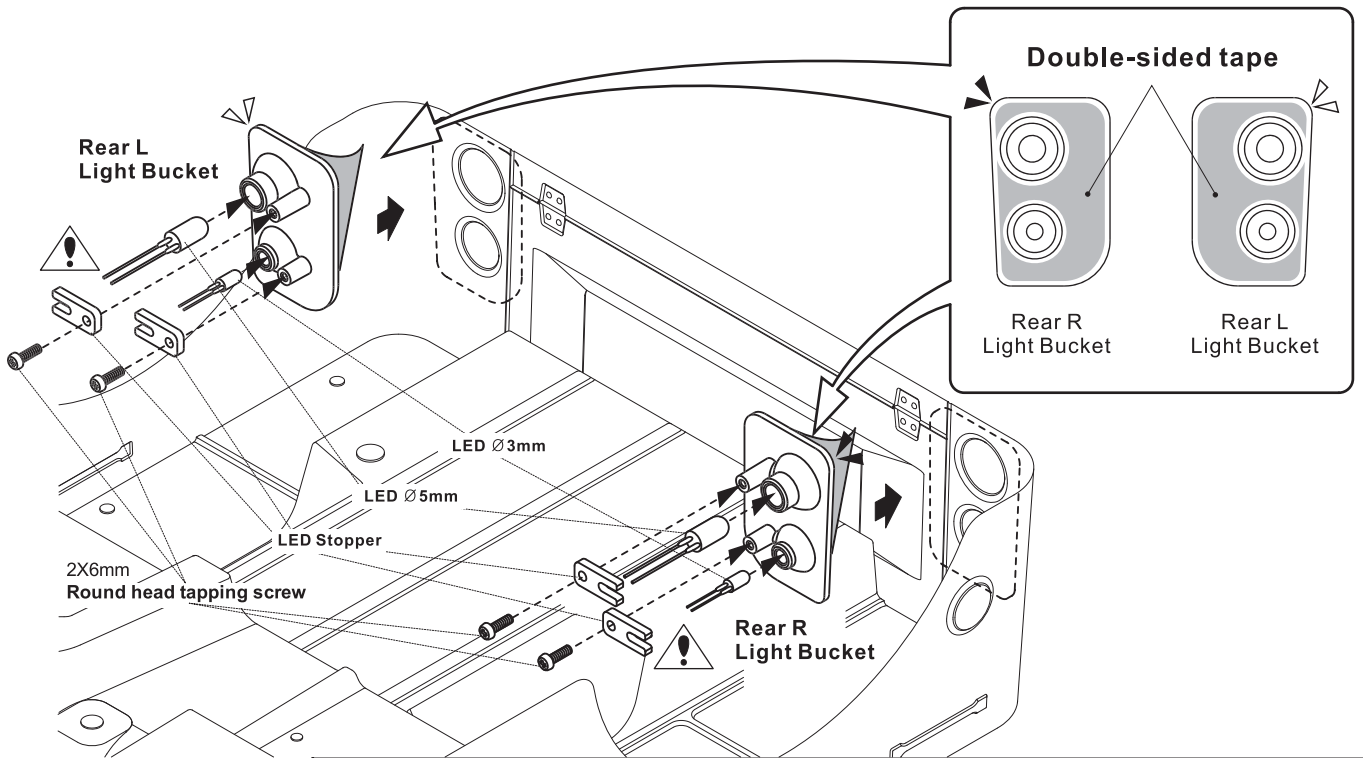
* LED is not included.

43

49015 X1
Sawback Light Bucket Parts Tree

2X6mm X8
Round head tapping screw

Double-sided tape



Body Assembly

44


44

49001
Sawback Accessory Parts Tree X1

 P5 O-Ring X3

 R5 Snap Pin X3

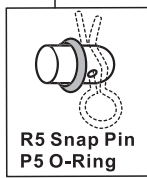
 Mirror

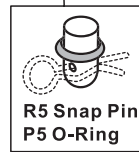
 3X35mm X1
Round Head Screw

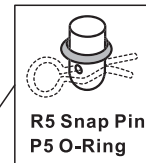
 M3 Nylon Lock Nut X1

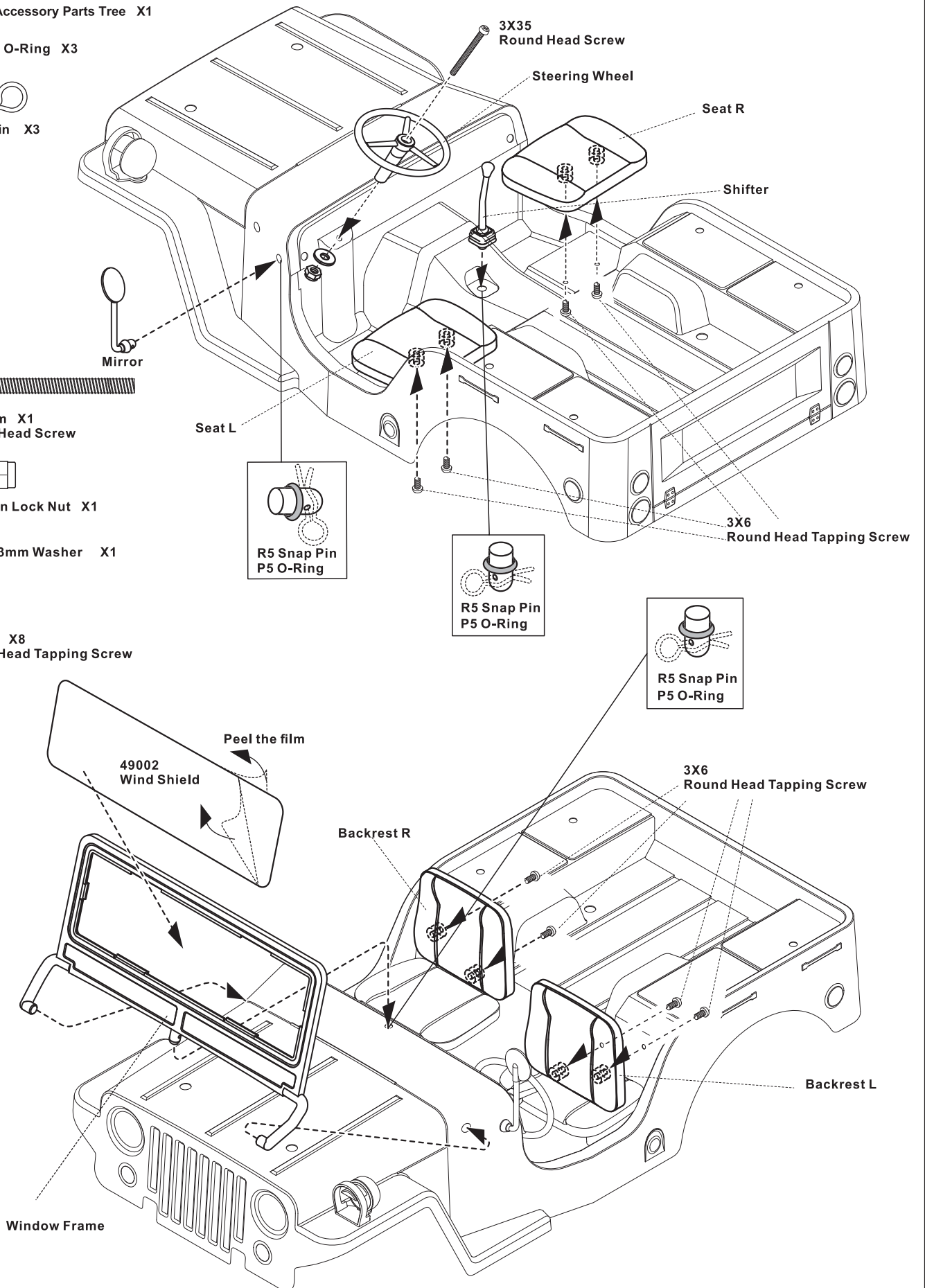
 3mm Washer X1

 3X6mm X8
Round Head Tapping Screw

 R5 Snap Pin
P5 O-Ring

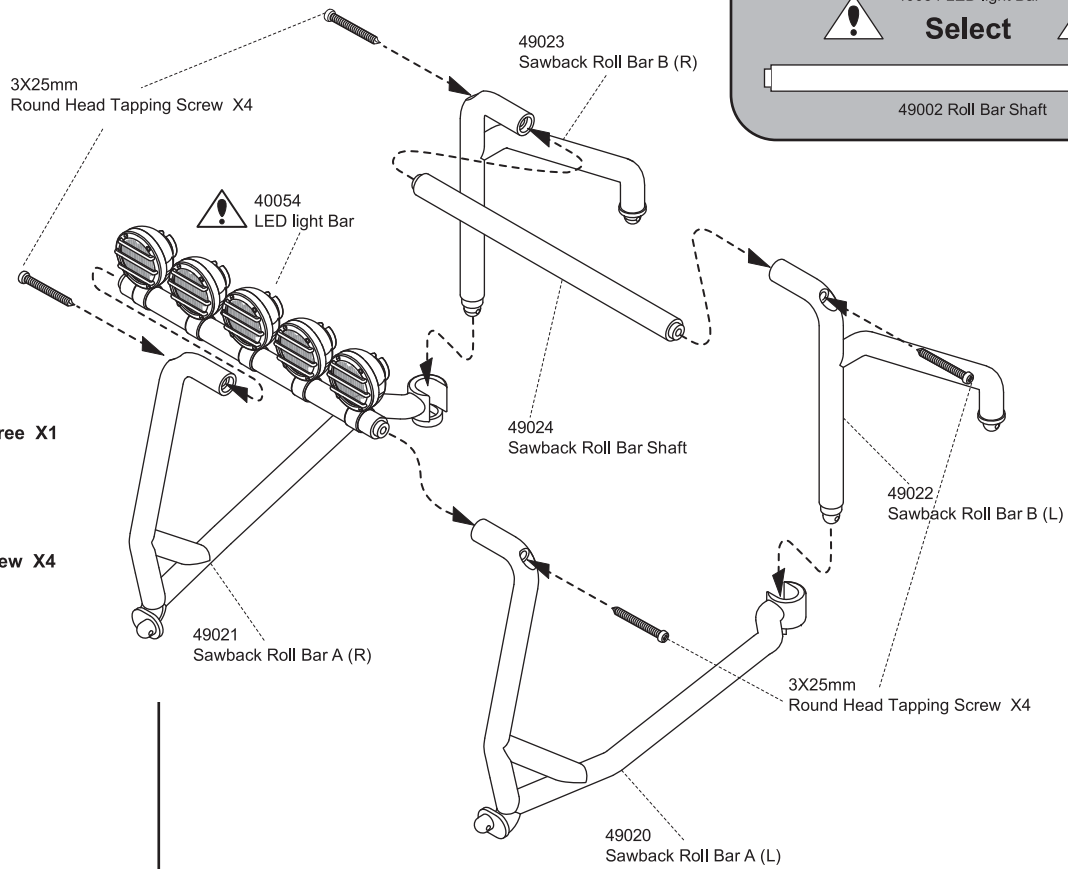
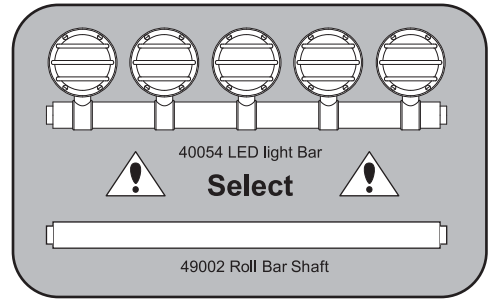
 R5 Snap Pin
P5 O-Ring

 R5 Snap Pin
P5 O-Ring



Roll Bar Assembly

45



45

49009
Sawback Roll Bar Parts Tree X1



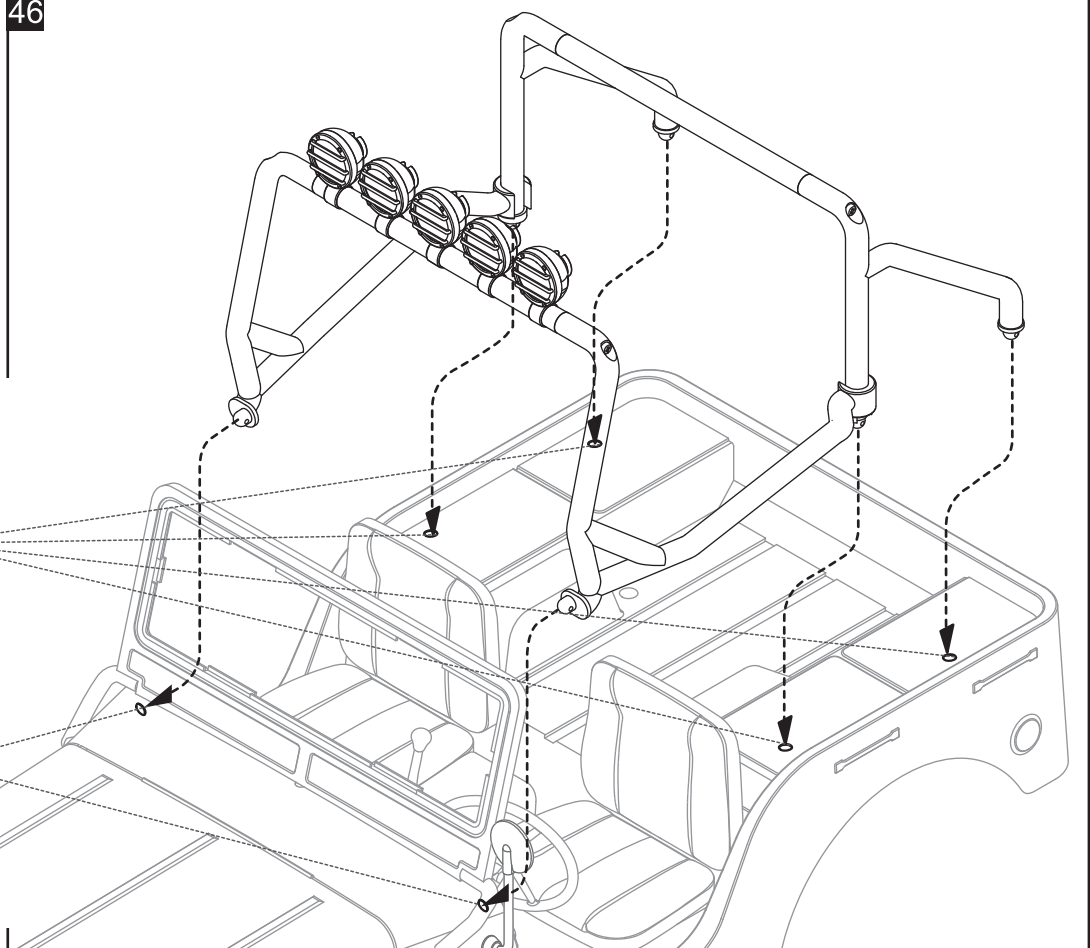
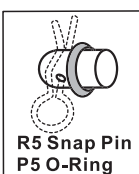
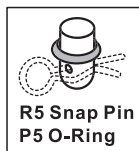
3X25mm
Round Head Tapping Screw X4

46

P5 O-Ring X 6

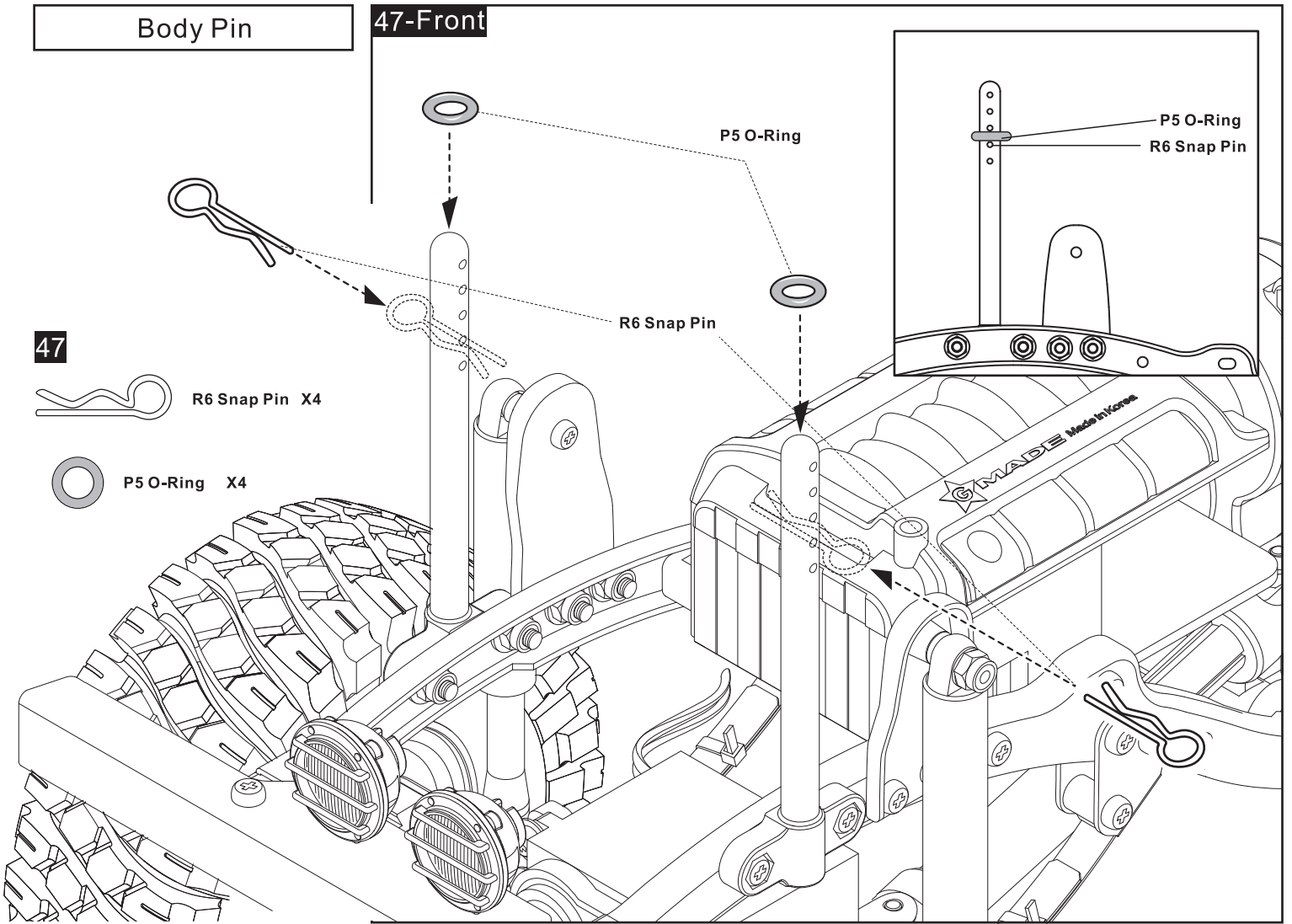
R5 Snap Pin X6

46

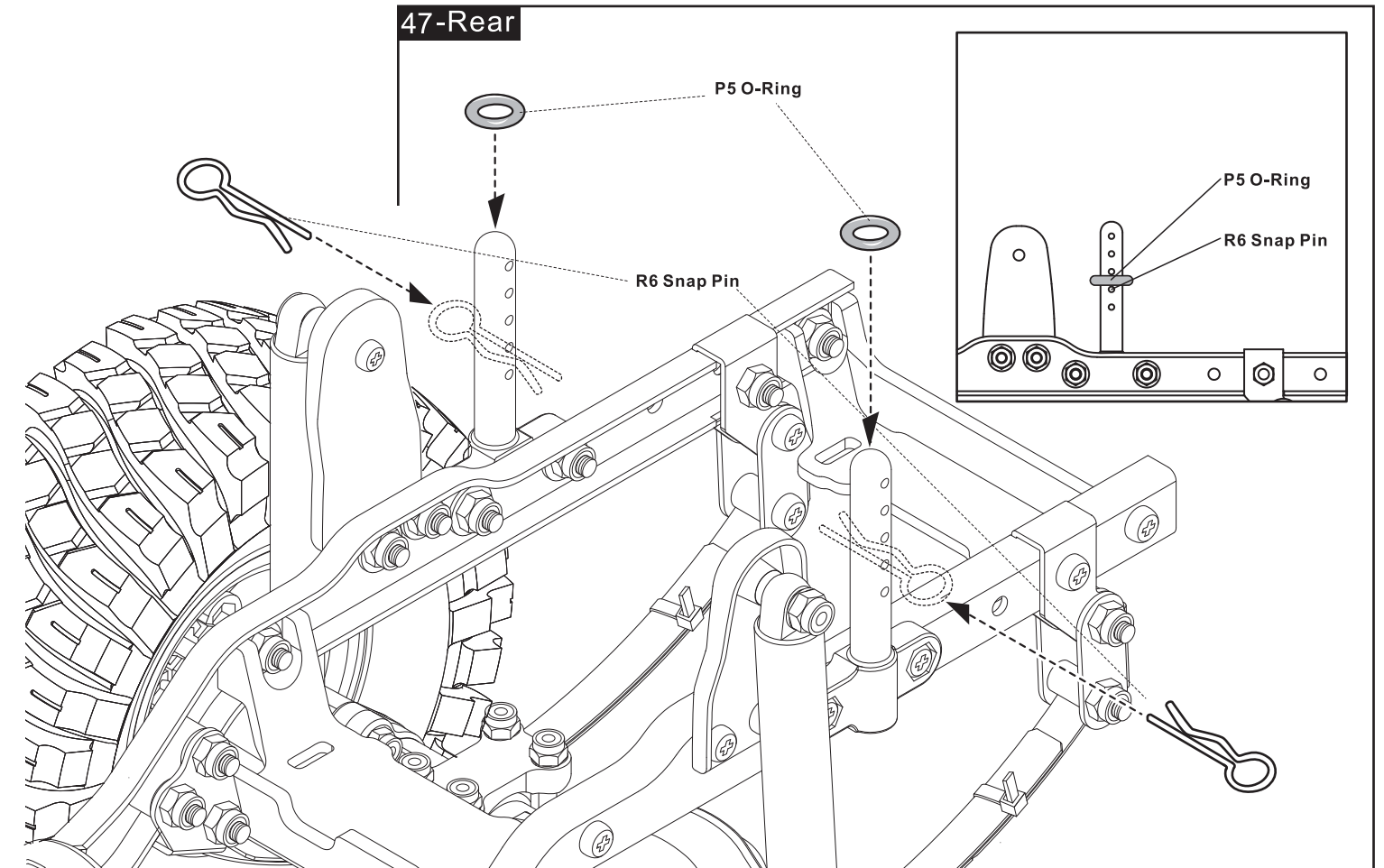


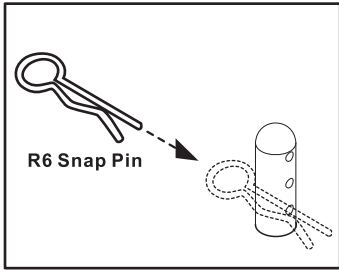
Body Pin

47-Front

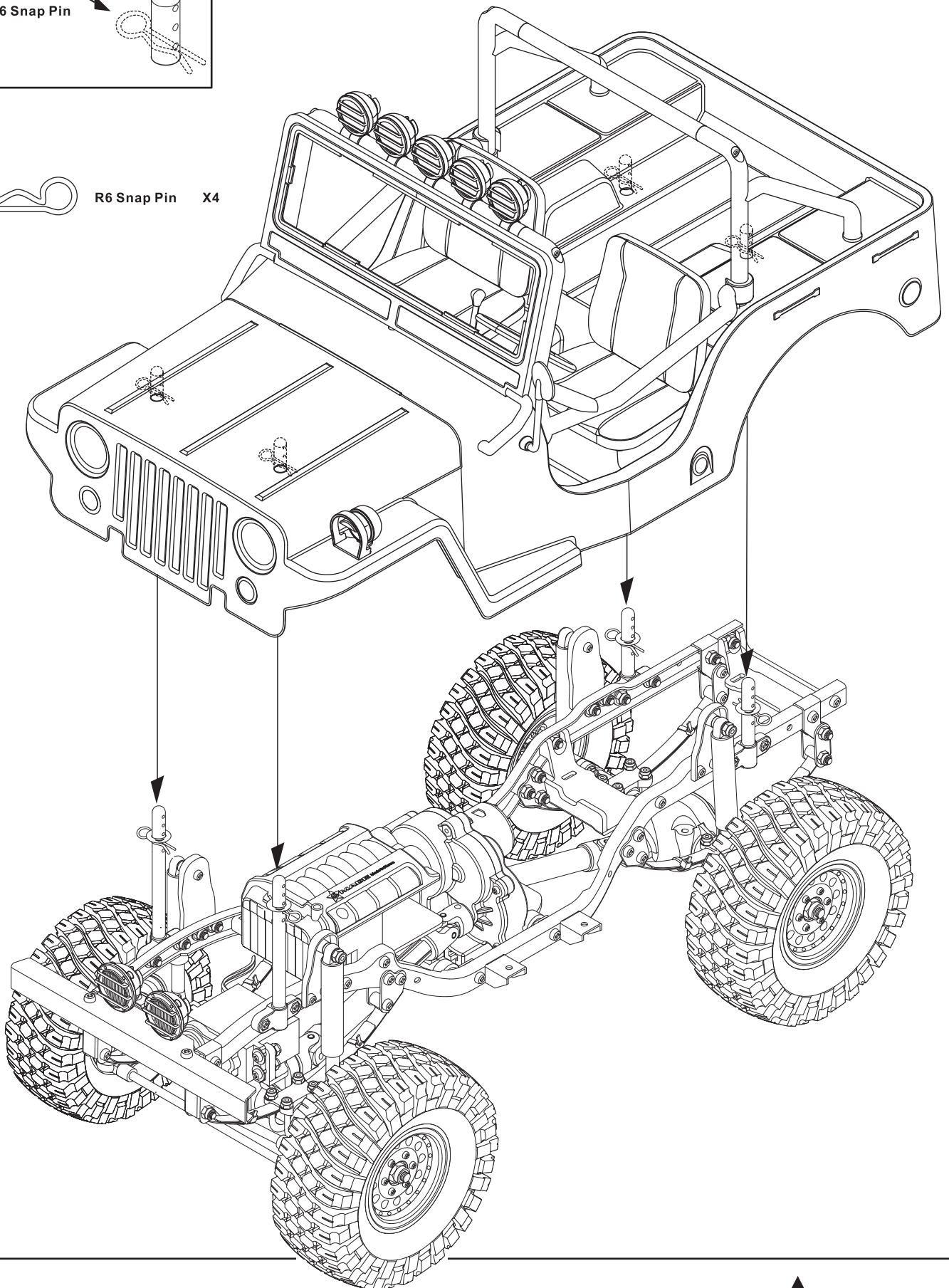


47-Rear





R6 Snap Pin X4



Parts Reference

52100

52101 GS01 Axle Housing (X2)
 52102 GS01 Axle Parts Tree (X2)
 52120 C Hub Carrier (X2)
 52121 Straight Axle Adapter (X2)
 52123 Servo plate (X2)
 52124 Differential Bearing Cap (X4)
 52125 Leaf Spring Bushing (X12)
 52126 12mm Wheel hex hub A (X4)
 52127 12mm Wheel hex hub B (X4)
 52128 Skid Roller (X4)
 52129 Shock Mount (X4)
 52130 4.8mm Spacer (X2)
 52131 6mm Spacer (X4)
 52132 Shackle Bracket Spacer (X4)
 52133 Leaf Spring Hanger Mount A (X4)
 52134 Leaf Spring Hanger Mount B (X4)
 51105 Knuckle Arm (X2)

52103 GS01 Differential Cover (X2)

52104 32T Bevel Gear (X2)
 52105 14T Bevel Gear (X2)

52108 69mm Drive Shaft (X1)
 52107 64.4mm Drive Shaft (X1)
 52111 97mm Straight Drive Shaft (X1)
 52110 92mm Straight Drive Shaft (X1)
 51117 Wheel Axle Shaft (X2)
 52113 14T Bevel Gear Shaft (X2)

52115 116mm Threaded Shaft (X1)
 52114 64mm Steering Rod (X1)
 20173 6.8mm Rod End Ball (X4)
 20216 M3 6.8mm Rod End (X4)
 52117 2.6X6mm Round head screw (X8)
 3X10mm Round head screw (X4)
 3X12mm Round head screw (X8)
 3X16mm Round head screw (X1)
 3X20mm Round head screw (X1)
 3X25mm Round head screw (X3)
 3X30mm Round head screw (X2)
 2.5mm E-Ring (X2)
 4mm E-Ring (X2)
 3mm Washer (X4)
 51120 3X10mm Step Screw (X4)
 M3 Nut (X1)
 M3 Nylon Lock Nut (X16)

Ball bearing 1150 (X14)
 Ball bearing 850 (X4)

51603 Axle Pin (X4)
 51602 M4 Wheel Nut (X4)

51200

51201 Transmission Housing Set (X1)
 51202 Motor Plate (X1)
 51203 Pinion Gear Cap (X1)
 51204 39T/15T Counter gear (X1)
 51205 35T/15T Counter gear (X1)
 51206 37T Counter gear (X1)

51207 21mm Counter Gear Shaft (X1)
 23mm Counter Gear Shaft (X1)
 43mm Counter Gear Shaft (X1)
 20142 32Pitch 12T Pinion gear (X1)

51208 3X8mm Round head screw (X1)
 52117 3X10mm Round head screw (X6)
 3X12mm Round head screw (X1)
 3X16mm Round head screw (X1)
 3X20mm Round head screw (X3)
 3X4mm Socket Set Screw (X1)
 M3 nut (X10)
 3mm Washer (X2)

Ball bearing 850 (X6)

70224

NR01 Front half of wheel (X4)
 NR01 Inner beadlock ring (X4)
 NR01 Back half of wheel (X4)

2.6X10mm Round head screw (X24)
 2.6X16mm Round head screw (X2)
 M2.6 nut (X24)

52300

52301 Shackle Bracket (X4)
 52302 Shackle (X4)
 52303 Leaf Spring Hanger (X4)
 52305 Leaf Spring Perch (X4)
 52306 Leaf Spring A (X4)
 52307 Leaf Spring B (X4)
 52308 Leaf Spring C (X4)
 52312 10cm Cable Tie (X8)

52310 U-Bolt (X8)
 3X12mm Round head screw (X4)
 3X16mm Round head screw (X20)
 M3 Nylon Lock Nut (X40)

51302 U-Joint (X4)
 51307 Cross pin (X4)
 3X3mm Socket Set Screw (X4)

51306 3X15mm Screw pin (X4)
 51301 Universal Shaft Set (X2)
 51308 Universal Drive Hub (X4)

52400

52401 GS01 Frame Side Rail R (X1)
 52402 GS01 Frame Side Rail L (X1)

52404 Shock Stay (X4)

52405 Side Step Bracket (X4)

52406 SD Front Steel Bumper (X1)
 52407 GS01 Cross Member Parts Tree (X1)
 Chassis Skid Plate (X1)
 Front Battery Mount (X1)
 Rear Battery Mount (X1)
 Receiver Box Cover (X1)
 Receiver Box (X1)
 50130 25cm Releasable Tie (X2)

52409 3X8mm Round head tapping screw (X2)
 3X10mm Flat head screw (X4)
 3X6mm Round head screw (X12)
 3X8mm Round head screw (X22)
 3X10mm Round head screw (X2)
 3X18mm Round head screw (X4)
 3X 20mm Round head screw (X8)
 3mm Washer (X8)
 M3 Flange Nut (X26)
 M3 Nylon Lock Nut (X20)

40020

40020 Sawback Lexan Body (X1)
 49001 Sawback Accessory Parts Tree (X1)
 Window Frame (X1)
 Seat L (X1)
 Seat R (X1)
 Backrest L (X1)
 Backrest R (X1)
 Mirror (X1)
 Shifter (X1)
 Steering wheel (X1)
 Body Post L (X2)
 Body Post S (X2)
 49002 Windshield (X1)

49005 3X 6mm Round head tapping screw (X8)
 3X35mm Round head screw (X1)
 3mm Washer (X1)
 49006 R5 Snap Pin (X3)
 P5 O-ring (X7)
 50116 R6 Snap Pin (X8)
 M3 Nylon Lock Nut (X1)

51504 Gear Grease (X1)
 51513 1.5mm L-Wrench (X1)
 51515 Box Wrench (X1)

23102

0020040 Shock Body (X4)
 0020041 Shock Shaft (X4)
 51512 Shock Grease (X1)

0020042 Shock End Ball (X8)
 0020043 Shock Spring (X4)
 0020046 S5 O-ring (X8)
 0020045 C-Ring (X4)

40044

49009 Sawback Roll Bar Parts Tree (X1)
 49020 Sawback Roll Bar A (L) (X1)
 49021 Sawback Roll Bar A (R) (X1)
 49022 Sawback Roll Bar B (L) (X1)
 49023 Sawback Roll Bar B (R) (X1)
 49024 Sawback Roll Bar Shaft (X2)

49010 R5 Snap Pin (X6)
 P5 O-ring (X6)
 3X25mm Round head tapping screw (X4)

49007

49015 Sawback Light Bucket Parts Tree (X1)
 49039 Front Light Bucket (L) (X1)
 49040 Front Light Bucket (R) (X1)
 49041 Rear Light Bucket (L) (X1)
 49042 Rear Light Bucket (R) (X1)
 49043 LED Stopper (X8)
 49016 Sawback Light Bucket Decal (X1)
 49017 Sawback Light Bucket Masking Tape (X1)
 49018 Sawback Light Bucket Double-sided Tape (X1)

49019 2X6mm Round head tapping screw (X10)

40034

49013 Fog LED Light & Accessories Parts Tree (X1)
 49026 Stone Guard (X2)
 49027 Fog Light Bucket (X2)
 49028 LED Stopper (X2)
 49029 Blackout light Bucket (X2)
 49030 Blackout light cover (X2)
 49014 Clear Lens (X2)
 49008 R5 Snap Pin (X2)
 2X6mm Round head tapping screw (X2)
 P5 O-ring (X2)
 3X8mm Round head tapping screw (X2)

40054

49011 LED Light Bar Parts Tree (X1)
 49031 Light Bar (X1)
 49032 Stone Guard (X5)
 49028 LED Stopper (X5)
 49034 Light Bar Mount (X2)

49014 Clear Lens (X5)
 49012 3X8mm Round head tapping screw (X2)
 2X6mm Round head tapping screw (X5)
 M2.6 nut (X2)
 2.6mm Washer (X2)
 2.6X5mm Round head screw (X2)

70244 MT1902 Tire (X4)

49038 Sawback Sports Manual (X1)
 49004 Sawback Decal Sheet (X1)
 49037 Sawback Sports Decal Sheet (X1)



Sinwol-3dong, 199-5
 GMADE building 1F.
 Yangcheon-gu, Seoul 158-830
 South Korea
 Tel. 02-2696-8170
 Fax. 02-2696-8171