

# SAWBACK

1/10th Scale Electric 4WD Vehicle

MADE IN KOREA  
© 2013 GMADE. All rights reserved.

Instruction Manual  
Width : 218 mm  
Height : 246 mm  
Length : 442 mm  
Wheel Base : 287 mm  
Ground Clearance : 60 mm  
Weight (no electronics) : 1.7 kg



## Cautions

 In order to avoid personal injury or property damage, you have to act in a responsible manner and follow these directions. RC models can operate at over 40Km/h but can not stop immediately.

### ■ Safety Precautions

- Check the surrounding area before you operate RC model.
- Choose a good place to operate your RC model.
- Do not operate your RC model on the street or highway. It can cause a serious damage or a serious accident.
- Do not operate your RC model in confined or crowded areas, in order to avoid accident.
- Never operate your RC model near people or animals, and never use people or animals as an obstacle.
- A collision between your RC model and stationary objects can cause damage to either.
- Do not operate RC model in public places like hospital and residential areas. It can cause great noise.
- Never operate RC model indoors. There is a higher possibility of fire or damage.

### ■ Safety Precautions (Before assembling)

- Before you start assembling this model, read the instructions carefully and make sure you understand them thoroughly.
- If a child assembles this model, an adult must also read the instructions carefully and understand them thoroughly.
- Always be careful when using tools like knives. Extra care should be taken to prevent injuries.
- If you use paint or cement (not included in the RC model), read the instructions supplied with them.
- Keep the parts out of reach of children, small parts can cause choking and vinyl bags can suffocate.

### ■ Safety Precautions (Before you operate RC model, check the following.)

- Check to ensure nuts and bolts are tightened appropriately.
- Check that no one else is using your radio frequency.
- Use new batteries to avoid losing control of the transmitter and receiver.
- You will need a 2 channel radio system which includes a servo, a receiver, an ON/OFF switch, and an electronic speed control.
- Be sure to use a radio frequency for ground models – Do not use airplane frequencies.
- Always check the brakes and throttle before you operate your RC model, in order to avoid losing control of the model.
- To prevent unexpected movements of your RC model, do not connect the batteries to receiver before turning on the transmitter.

Always turn on the transmitter first, and then connect the batteries to the receiver.

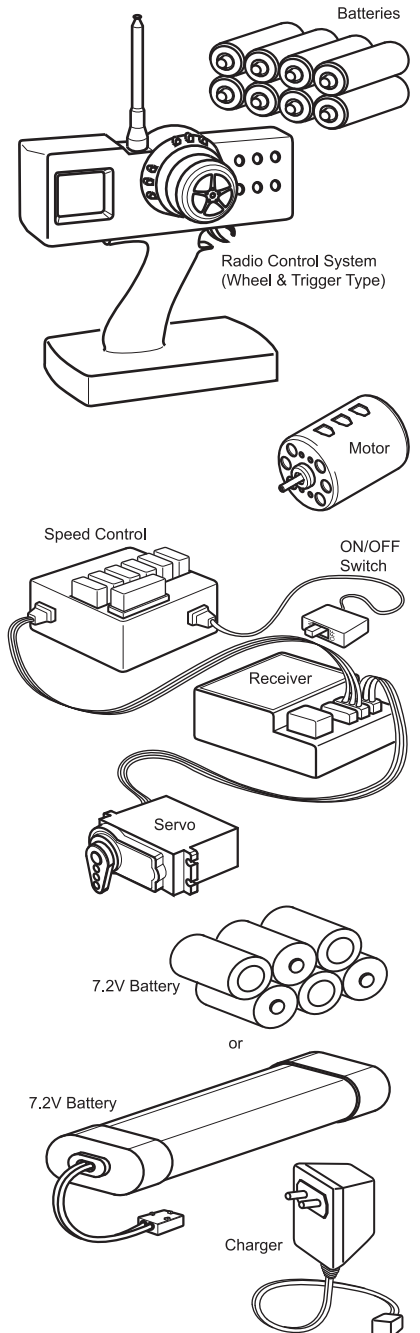
1. Switch on the transmitter.
2. Check that the speed control, the transmitter control, and trims are set to the neutral position.
3. Connect the RC model to the receiver's batteries.
4. Switch on the model and the receiver.

When you using rechargeable batteries, make sure you read and follow the instructions carefully. Inappropriate handling or usage of rechargeable batteries can cause serious injuries or accidents.

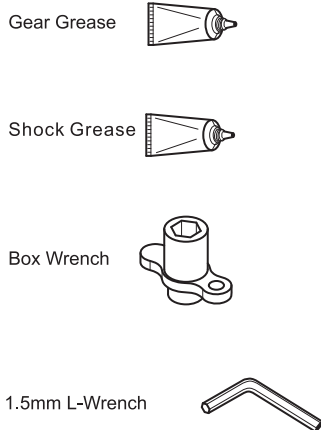
### ■ Cautions While Operating

- When the RC model is operating, do not touch the moving parts like the drive shaft and wheels. The moving parts can cause serious injuries.
- Always turn the model or receiver off and disconnect the batteries before turning off the transmitter, in order to avoid unexpected movements of your RC model.
  1. Turn off the model or receiver.
  2. Disconnect the batteries.
  3. Turn off the transmitter.
- Do not touch the vehicle's speed control resistor while operating of the RC model. The resistor may be very hot, especially after running at lower speeds.
- To prevent damage to the RC model, remove the batteries from the model and transmitter when you don't intend to run the RC model for some time.
- After operating your RC model, batteries become hot, so please be careful when handling.
- In order to prolong the life of your RC model, please keep it free from dirt and grease.
- Before you start assembling this model, read the instruction carefully and make sure you understand them fully.
- If a child assembles this model, an adult must also read the instructions carefully and understand them thoroughly.

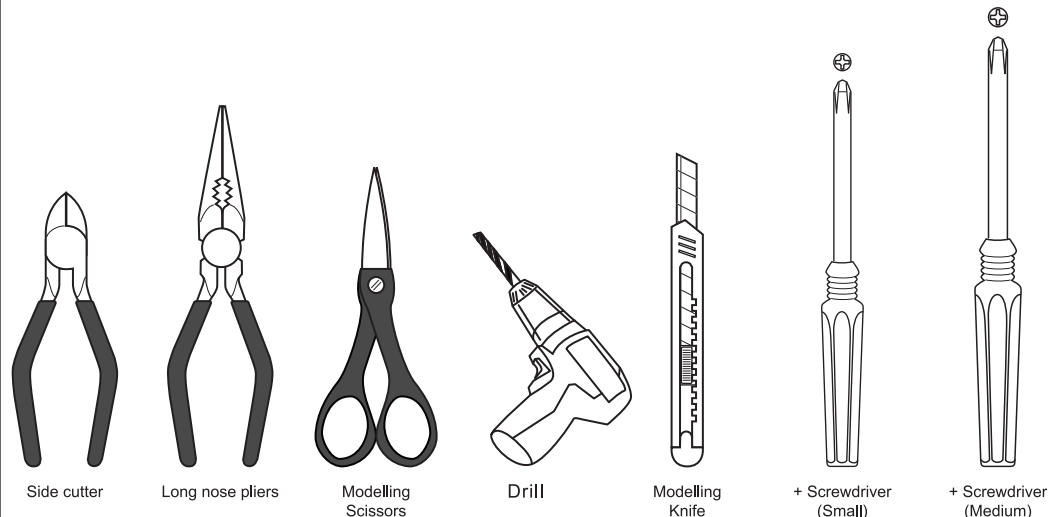
## Equipment Needed



## Tools Included

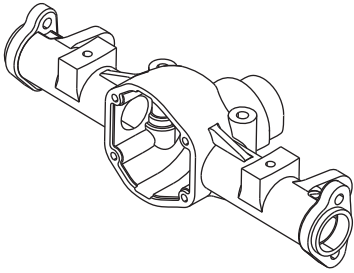


## Tools Needed

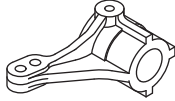


Part Reference

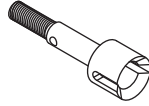
52101 X2  
GS01 Axle Housing



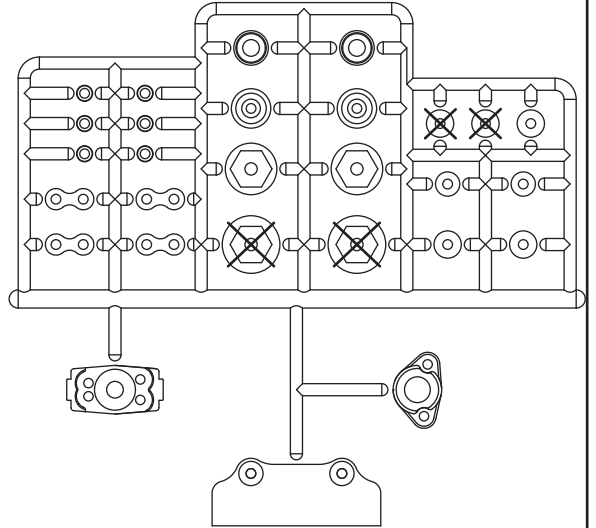
51105 X2  
Knuckle Arm



51117 X2  
Wheel Axle Shaft



52102 X2  
GS01 Axle Parts Tree



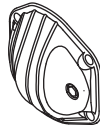
52105 X2  
14T Bevel Gear



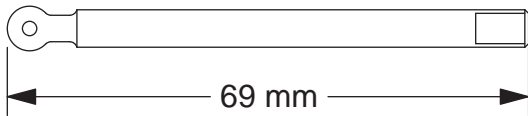
52104 X2  
32T Bevel Gear



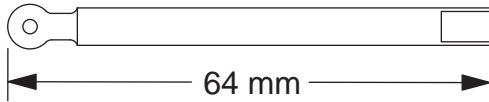
52103 X2  
Differential Cover



52108 X1  
69mm Drive Shaft



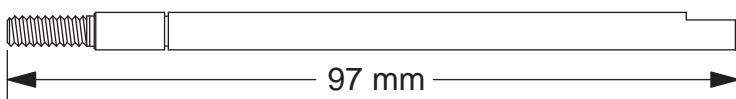
52107 X1  
64mm Drive Shaft



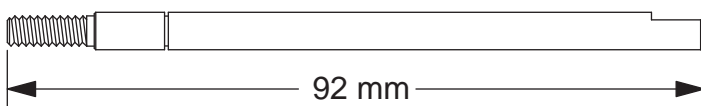
52113 X2  
14T Bevel Gear Shaft



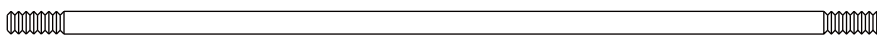
52111 X1  
97mm Straight Drive Shaft



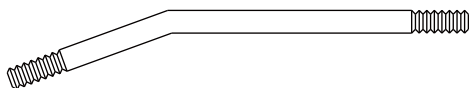
52110 X1  
92mm Straight Drive Shaft



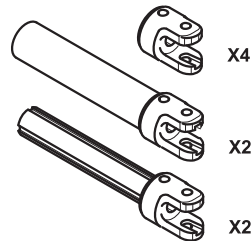
52115 X1  
116mm Threaded Shaft



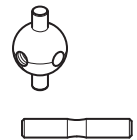
52114 X1  
64mm Steering Rod



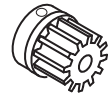
51301  
Universal Shaft set



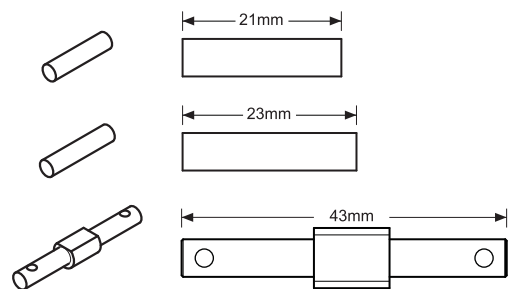
51302  
U-Joint set X4



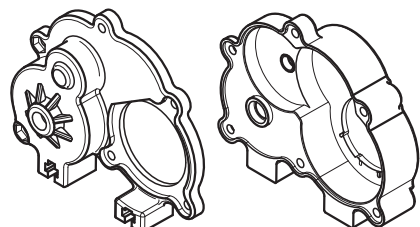
20142 X1  
32Pitch 12T Pinion Gear



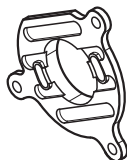
51207 X1  
Counter Gear Shaft set



51201 X1  
Transmission Housing set



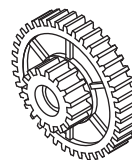
51202 X1  
Motor Plate



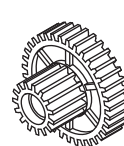
51203 X1  
Pinion Gear Cap



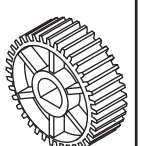
51204 X1  
39/15T  
Counter Gear



51205 X1  
35/15T  
Counter Gear



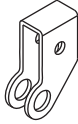
51206 X1  
37T  
Counter Gear



Part Reference



52404 X4 Shock Stay



52301 X4 Shackle Bracket



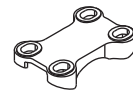
52302 X4 Shackle



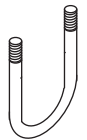
52303 X4 Leaf Spring Hanger



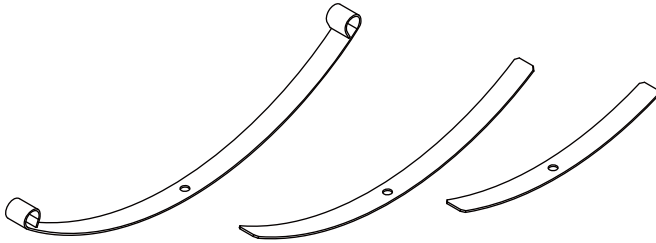
52405 X4 Side Step Bracket



52305 X4 Leaf Spring Perch



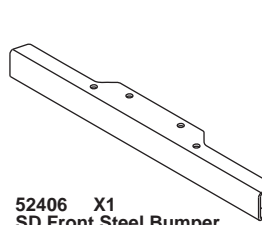
52310 X8 U-Bolt



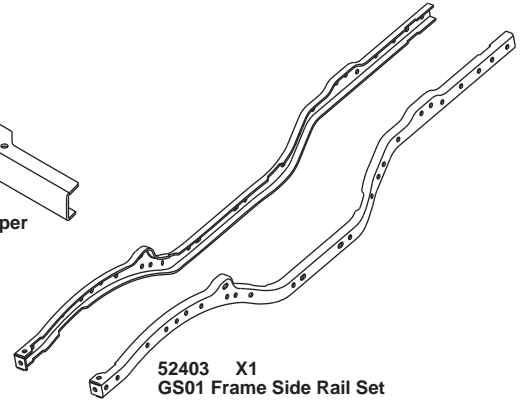
52306 X4 Leaf Spring A

52307 X4 Leaf Spring B

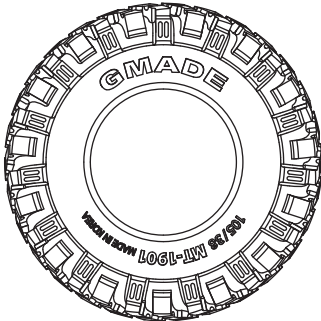
52308 X4 Leaf Spring C



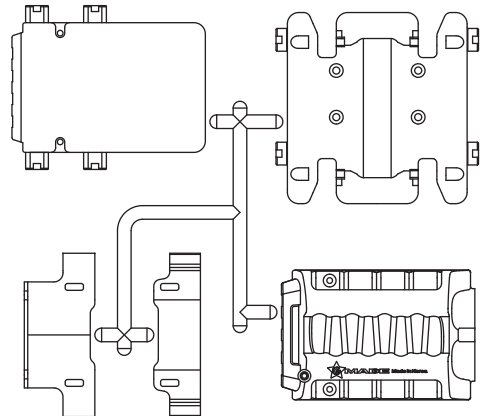
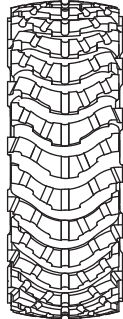
52406 X1 SD Front Steel Bumper



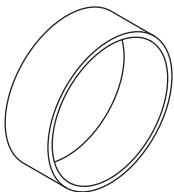
52403 X1 GS01 Frame Side Rail Set



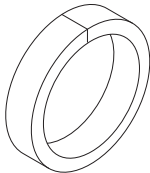
70164 X4 MT1091 Tire



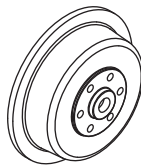
52407 X1 GS01 Cross Member Parts Tree



Inner Beadlock Ring X4



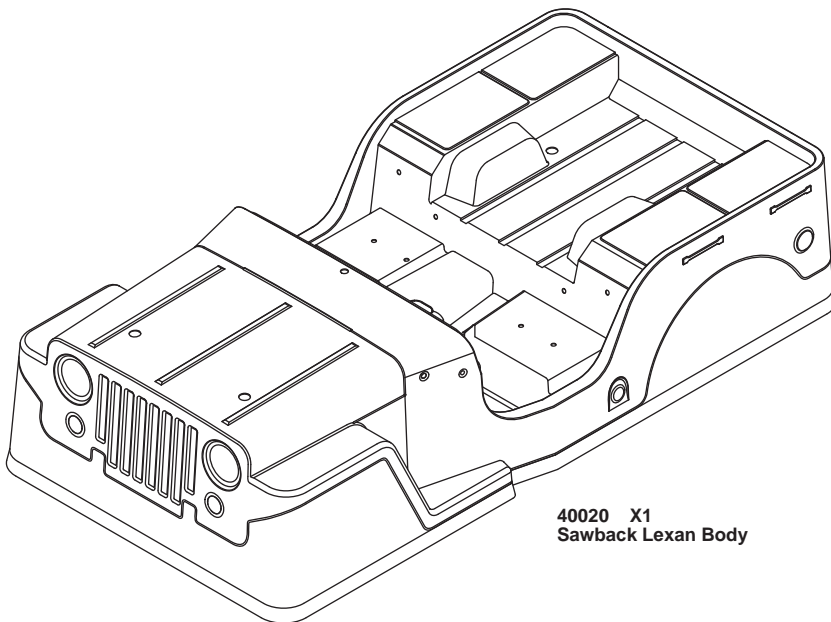
Wheel foam X4



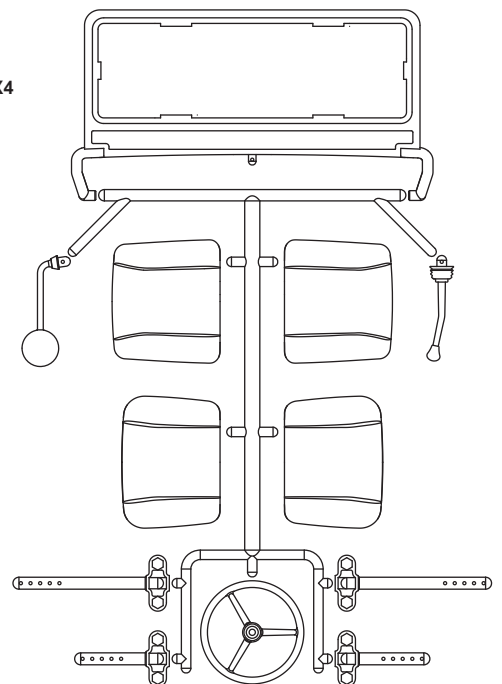
Back Half Of Wheel X4



Front Half Of Wheel X4



40020 X1 Sawback Lexan Body

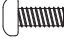











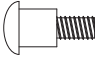


49001 X1 Sawback Accessory Parts Tree





# Part Reference

## Round Head Screw

- 2.6X6mm X8 
- 2.6X10mm X24 
- 2.6X16mm X2 
- 3X6mm X12 
- 3X8mm X22 
- 3X10mm X12 
- 3X12mm X13 
- 3X16mm X22 
- 3X18mm X4 
- 3X20mm X12 
- 3X25mm X3 
- 3X35mm X1 
- 3X10mm Step Screw X4 




## Round Head Tapping Screw

- 3X6mm X8 
- 3X8mm X2 






## Flat Head Screw

- 3X10mm X4 



## Socket Set Screw

- 3X3mm X4 
- 3X4mm X1 
- 3X15mm Screw Pin X4 



## Nut

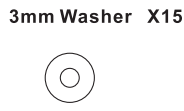
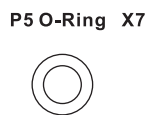
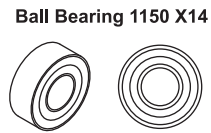
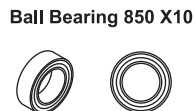
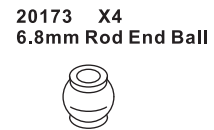
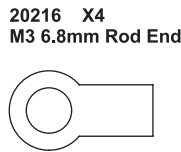
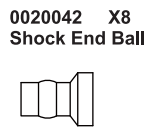
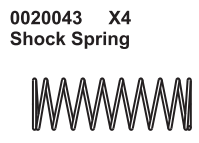
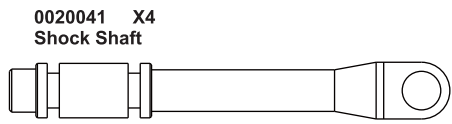
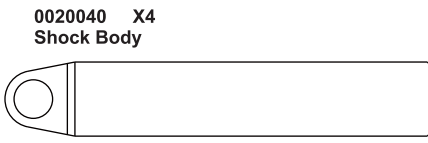
- M3 Nut X11 
- M2.6 Nut X24 
- M3 Nylon Lock Nut X78 
- M3 Flange Nut X26 
- M4 Nylon Lock Nut X4 

## Snap Pin

- R5 Snap Pin X3 
- R6 Snap Pin X8 

## E-Ring

- 2.5mm E-ring X2 
- 4mm E-ring X2 



**49002 X1 Wind Shield**






**52312 X8 10cm Cable Tie**

**50130 X2 25cm Releasable Tie**

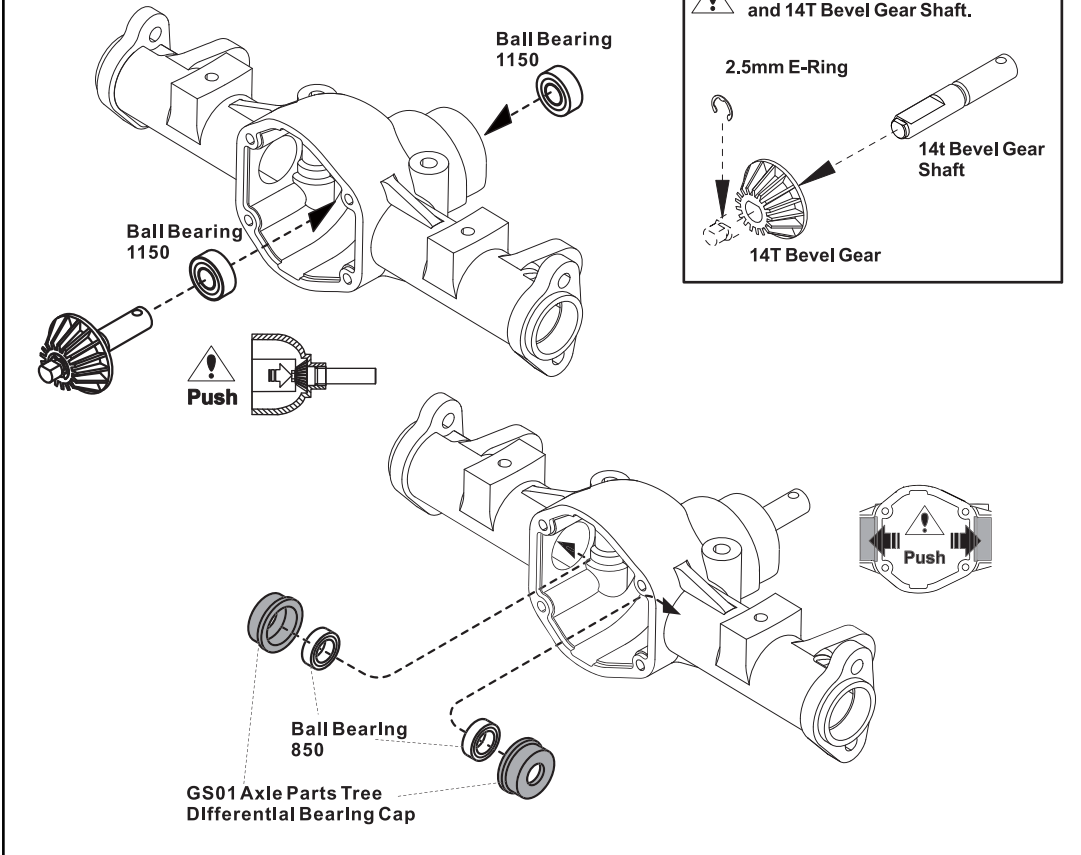
**Gear Grease X1  
Shock Grease X1  
1.5mm L-Wrench X1  
Box Wrench X1**

# Main Axle Assembly

1

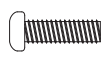


-  2.5mm X2 E-ring
-  Ball Bearing X4 1150
-  Ball Bearing X4 850
-  14T Bevel Gear Shaft X2
-  GS01 Axle Parts Tree Differential Bearing Cap X4

## 1 Make 2.

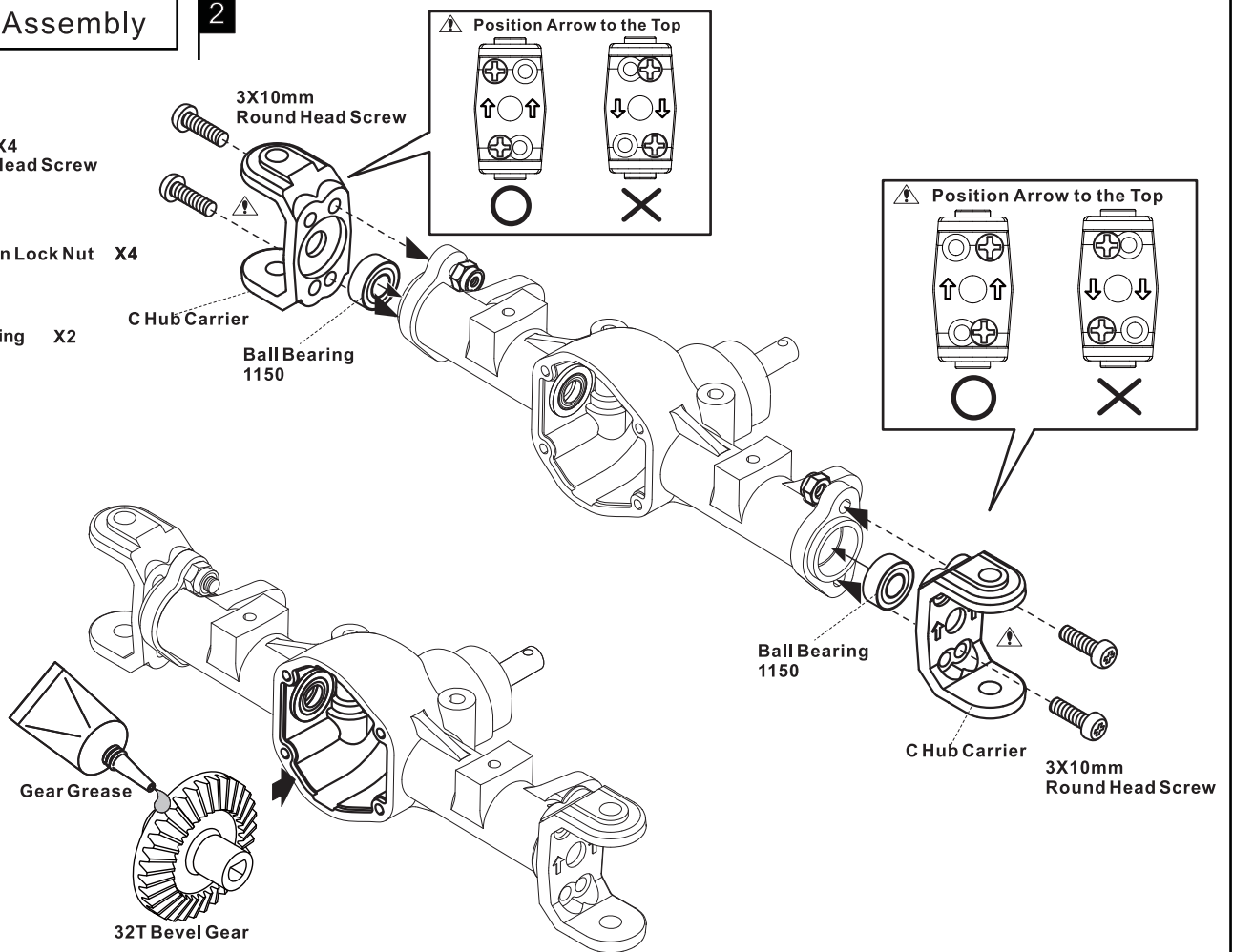


# Front Axle Assembly

2

-  3X10 X4 Round Head Screw
-  M3 Nylon Lock Nut X4
-  Ball Bearing X2 1150

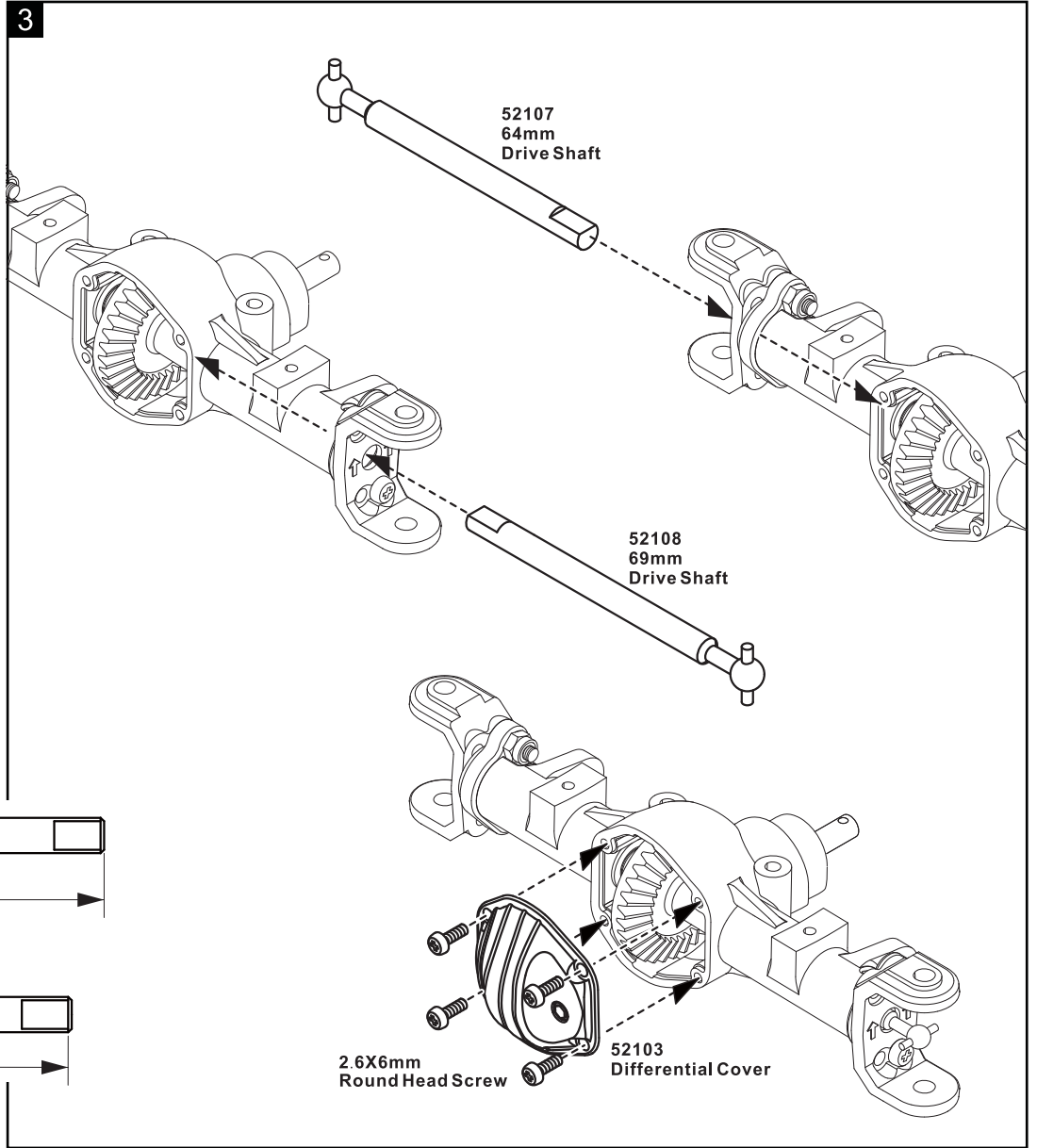
2



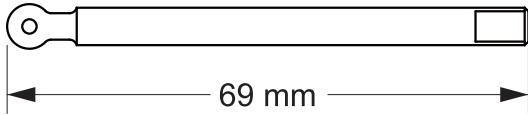
# Front Axle Assembly

3

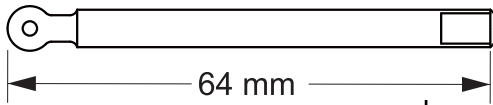
2.6X6mm X4  
Round Head Screw



52108  
69mm  
Drive Shaft



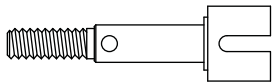
52107  
64mm  
Drive Shaft



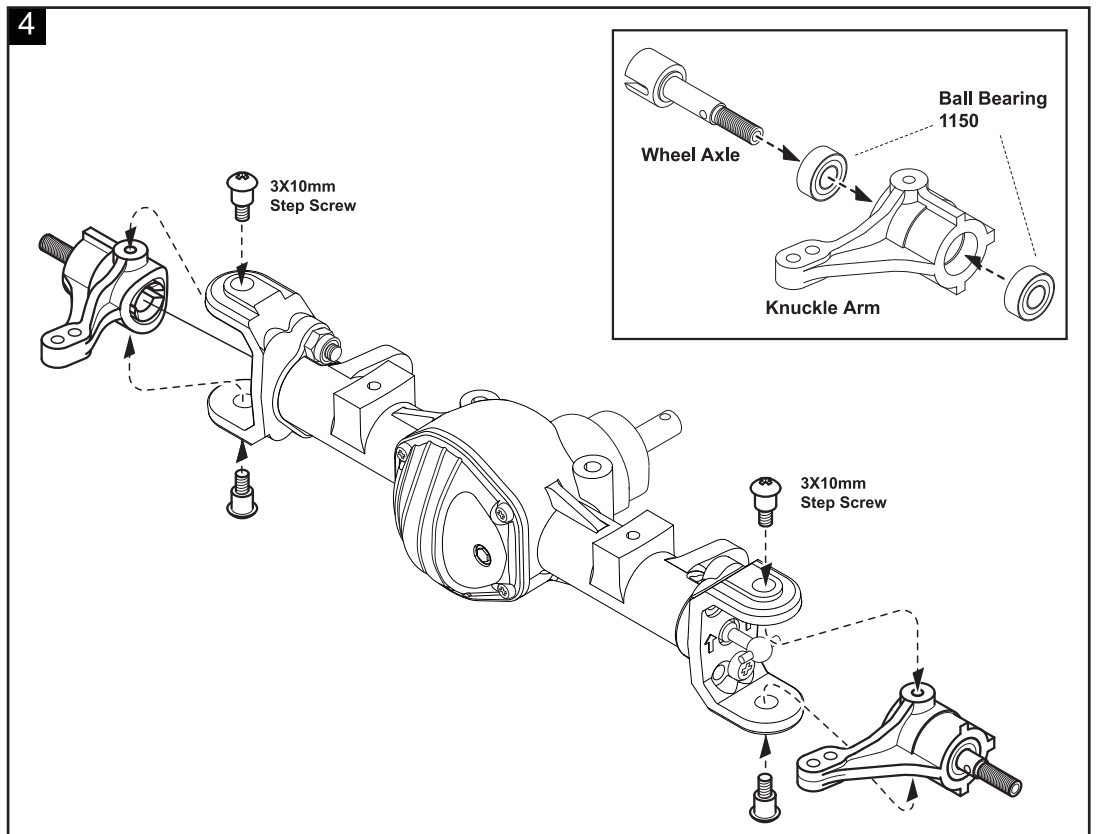
4

Ball Bearing X4  
1150

3X10mm X4  
Step Screw



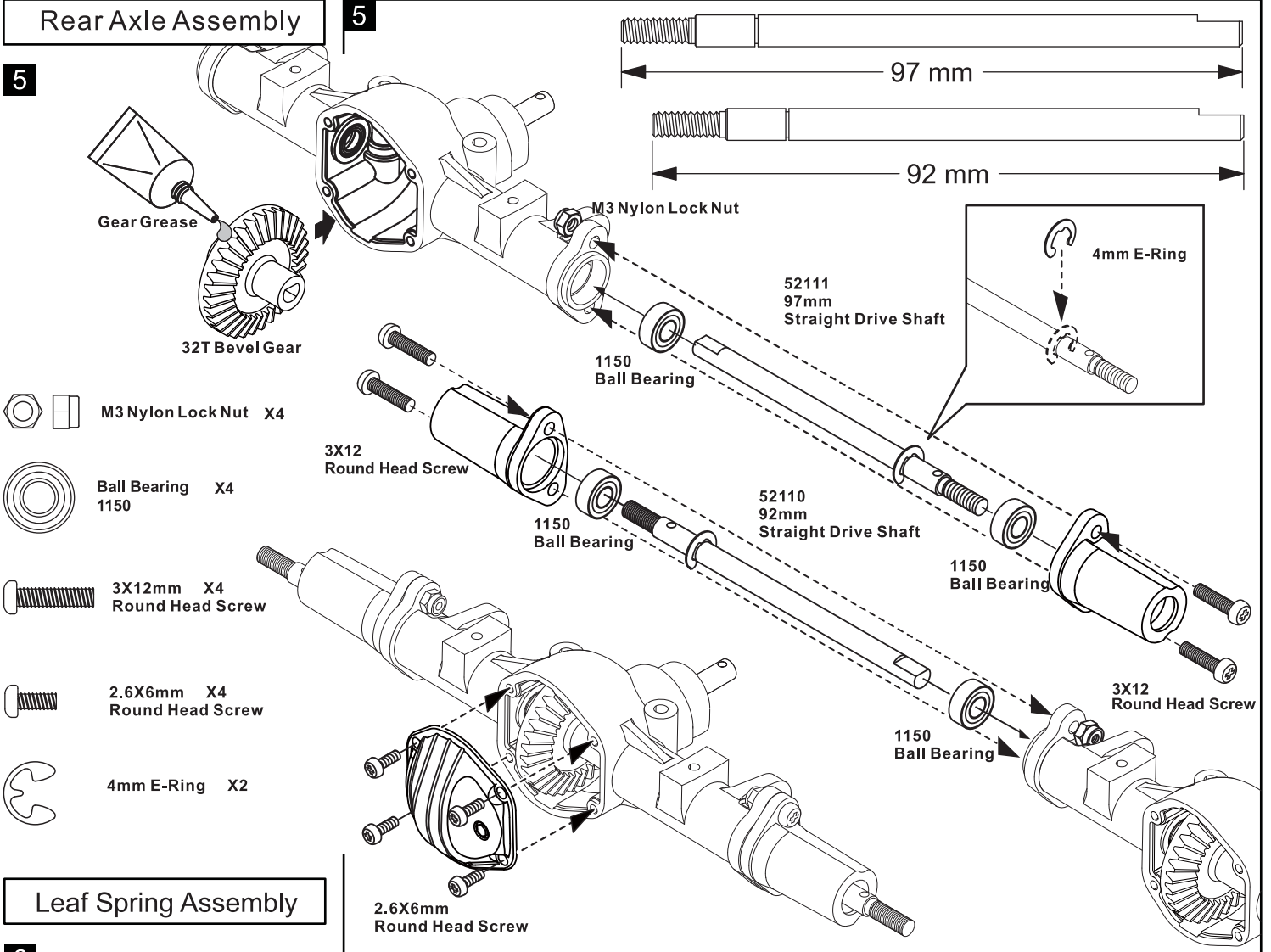
51117 X2  
Wheel Axle



## Rear Axle Assembly

5

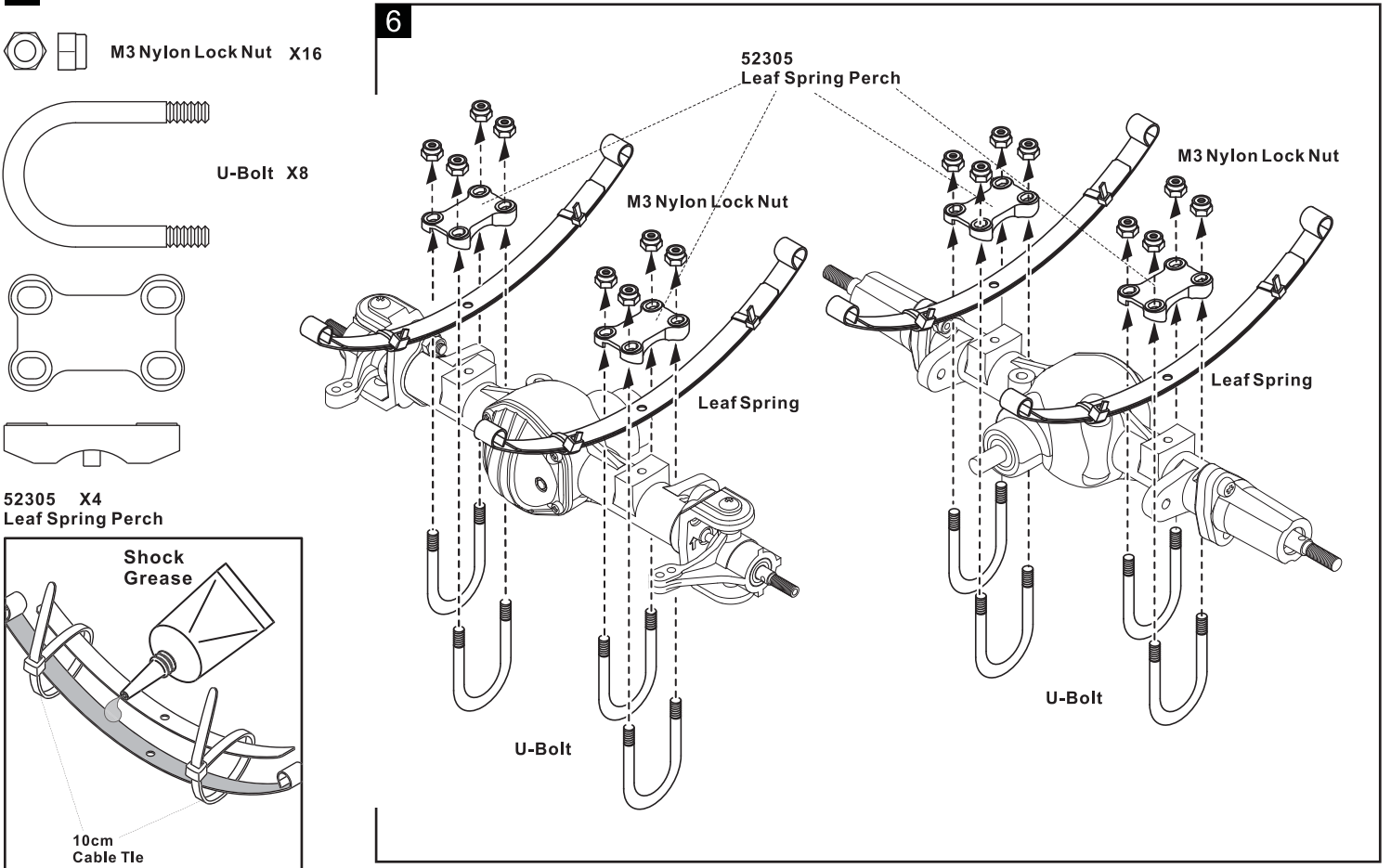
5



## Leaf Spring Assembly

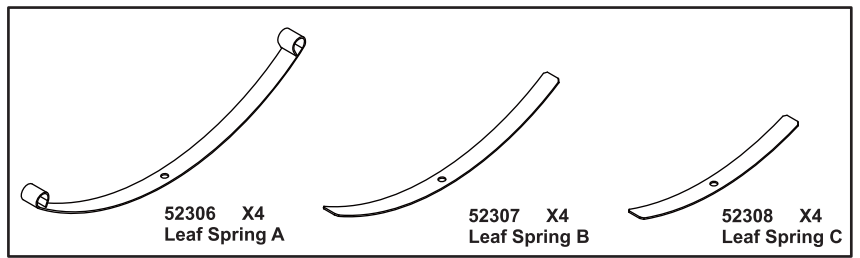
6

6

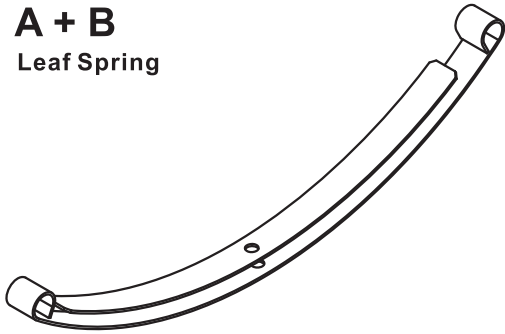




# Leaf Spring Setup Guide



## A + B Leaf Spring



## Soft Type Suspension

Low Speed & high traction Driving. Soft type leaf-spring setup can be used when vehicle needs high tractions and provides sooth suspension movements with maximum wheel travel level, it is recommend to us at trail courses.



Coution : Do not us this setup when high speed driving and hardcore drive, it will causing the Leaf-spring become deformed

Recommend Motor use :Over 35T Brushed motor



Rock Pile



Mountain



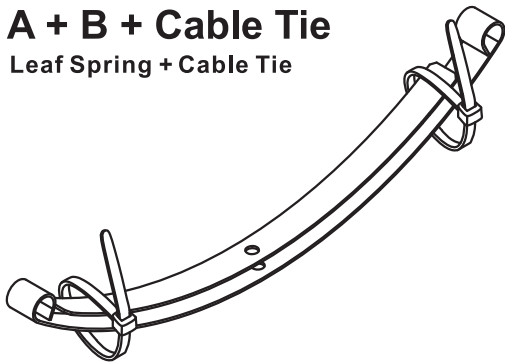
Off Road



On Road



## A + B + Cable Tie Leaf Spring + Cable Tie



## Standard Type Suspension

Normal Driving

Recommend Motor use :25T~30T Brushed motor



Rock Pile



Mountain



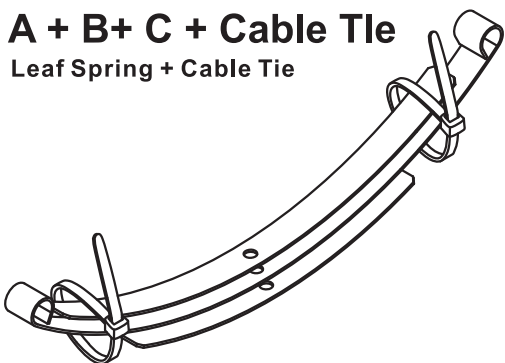
Off Road



On Road



## A + B + C + Cable Tie Leaf Spring + Cable Tie



## Hard Type suspension

Hard type leaf-spring setup provides stable handling works during high speed driving

Recommend Motor use :19T~23T Brushed motor



Rock Pile



Mountain



Off Road



On Road



# Servo Mount

7

M3 Nylon Lock Nut X4

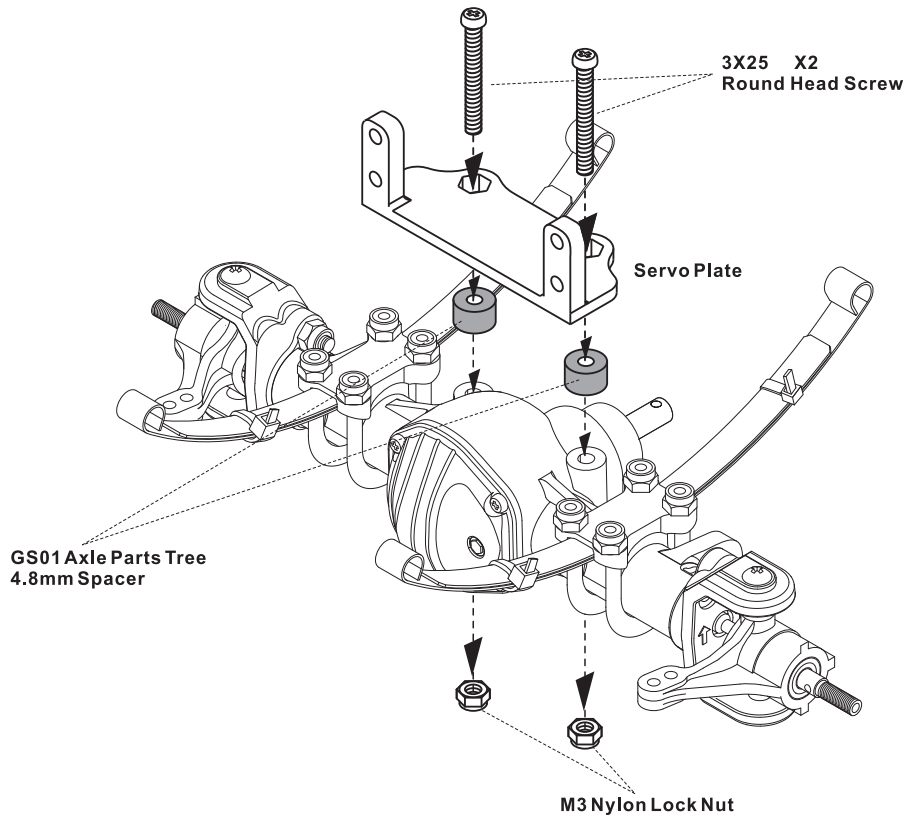


3X25 X2  
Round Head Screw



GS01 Axle Parts Tree  
4.8mm Spacer X2

7



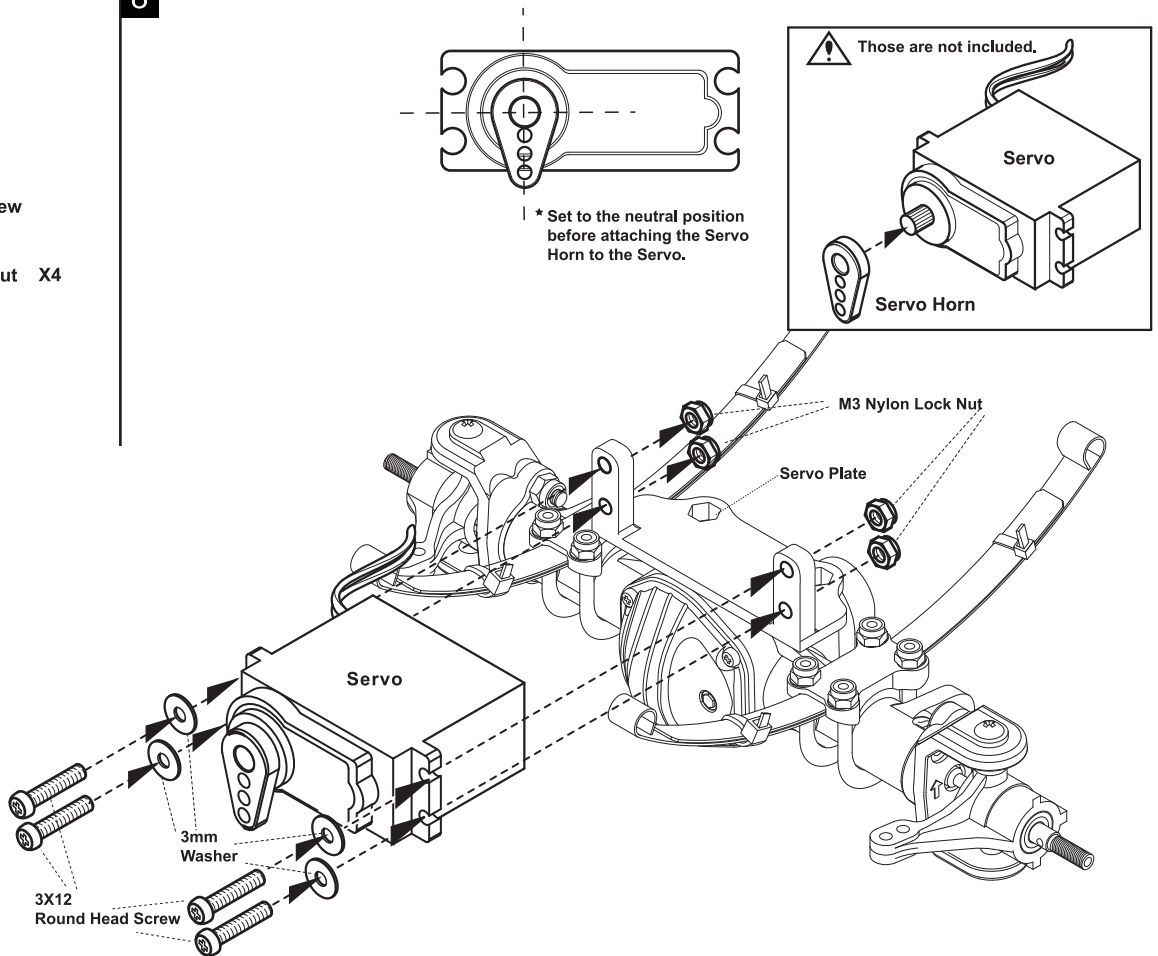
8

3mm X4  
Washer

3X12mm X4  
Round Head Screw

M3 Nylon Lock Nut X4

8



# Steering Linkage

9

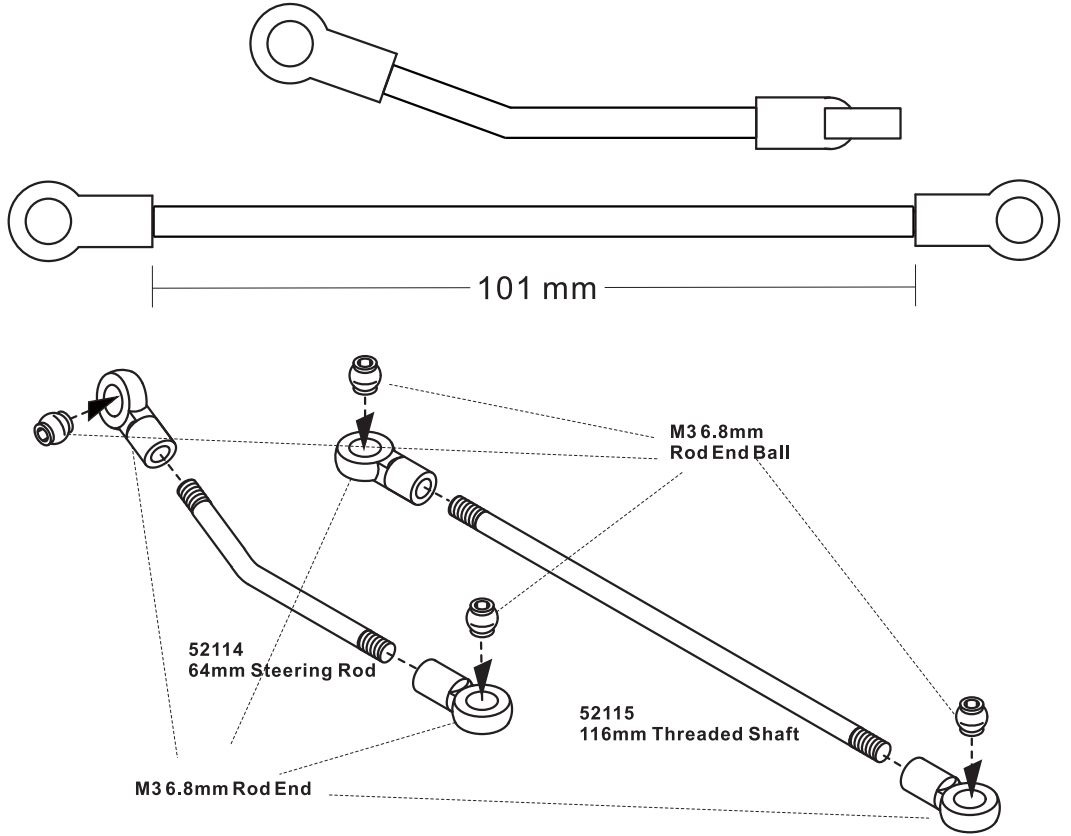


M36.8mm Rod End X4



M36.8mm Rod End Ball X4

9



10



3X16mm Round Head Screw X1



3X20mm Round Head Screw X1



3X25mm Round Head Screw X1

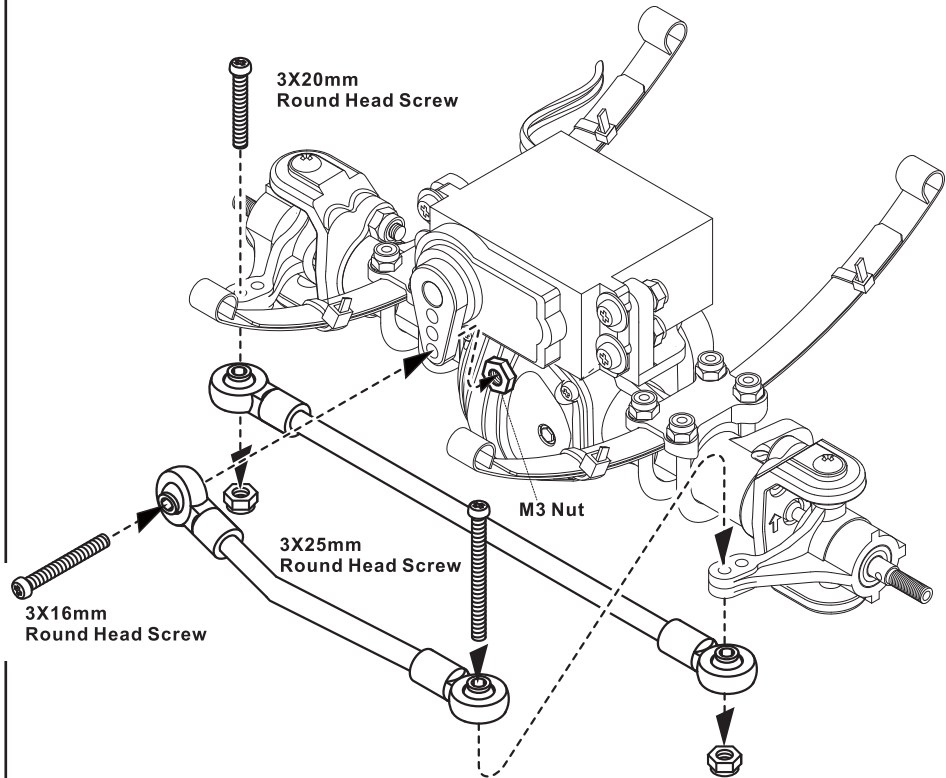


M3 Nylon Lock Nut X2



M3 Nut X1

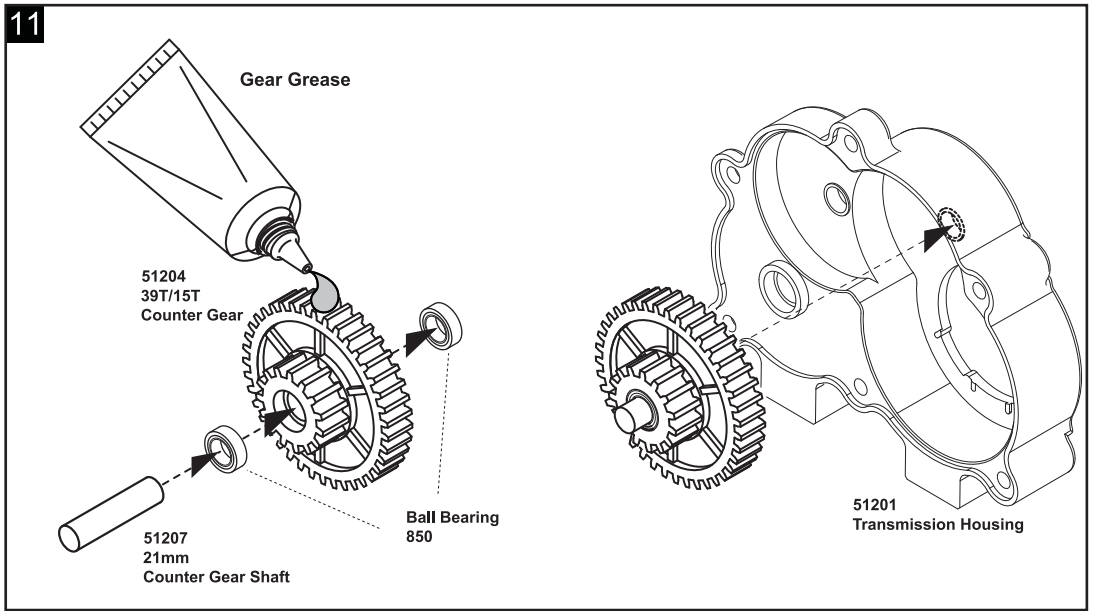
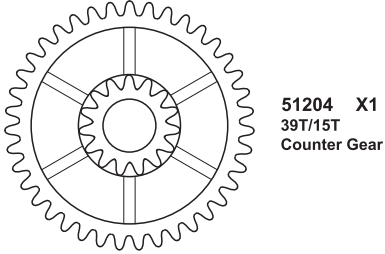
10



# Transmission Assembly

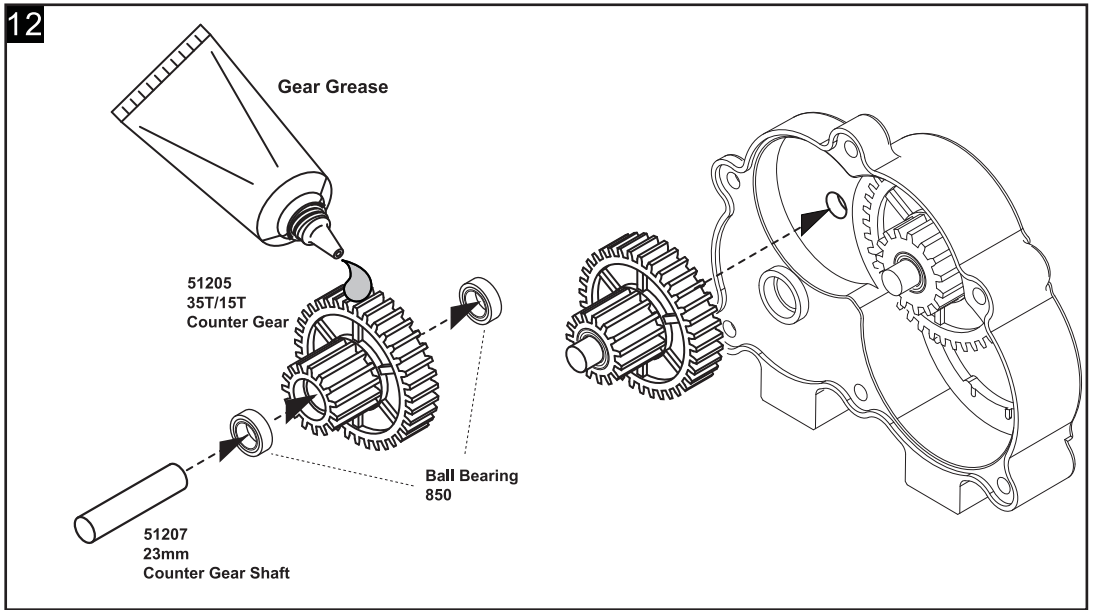
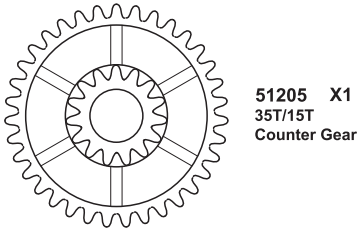
**11**

- Ball Bearing X2  
850
- 51207 X1  
21mm  
Counter Gear Shaft



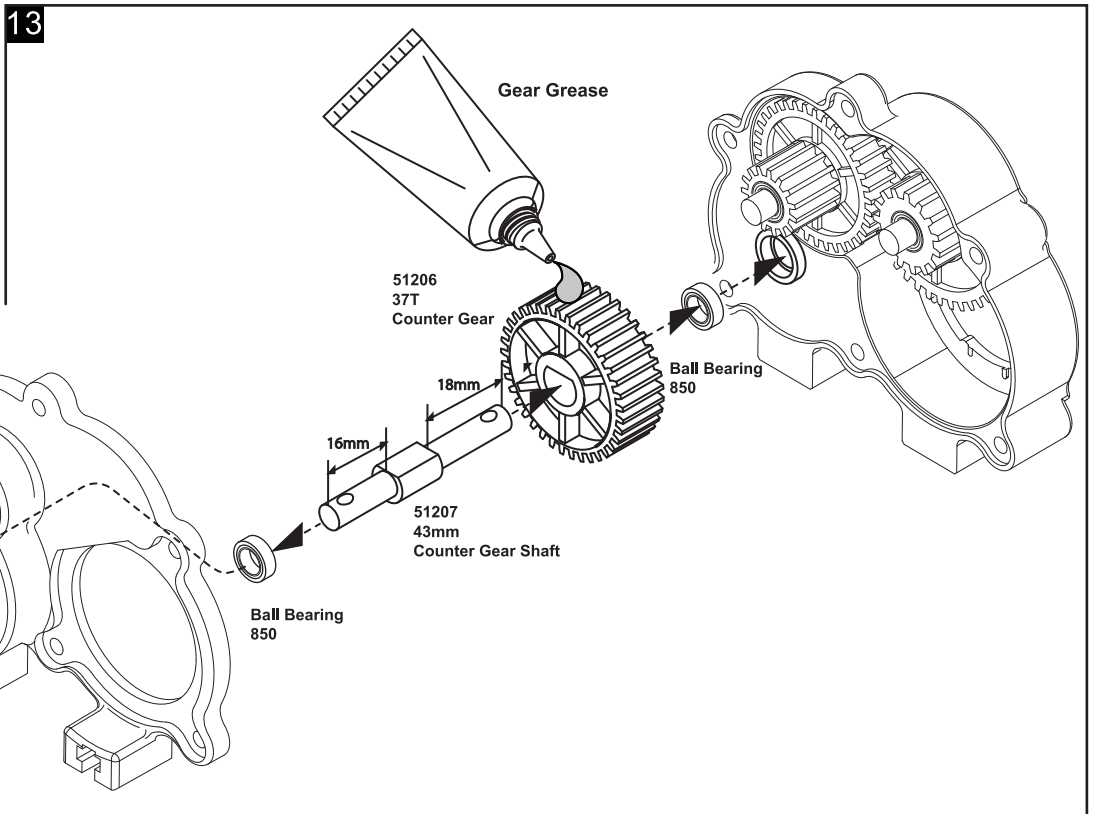
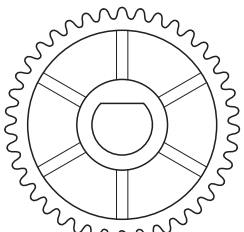
**12**

- Ball Bearing X2  
850
- 51207 X1  
23mm  
Counter Gear Shaft



**13**



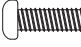



- Ball Bearing X2  
850
- 51207 X1  
43mm  
Counter Gear Shaft

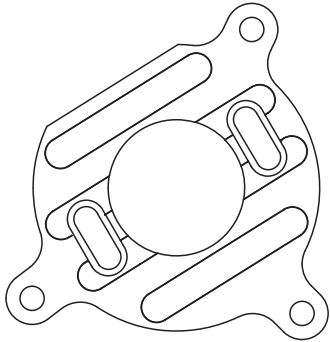




# Transmission Housing Assembly

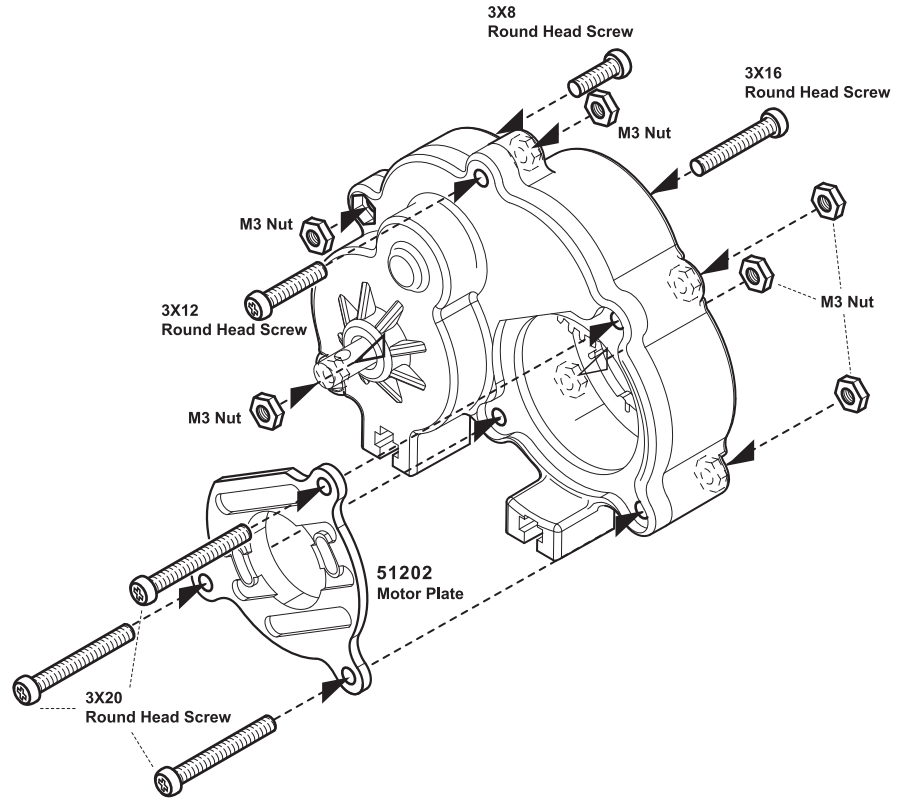
14

-  3X8mm X1 Round Head Screw
-  3X12mm X1 Round Head Screw
-  3X16mm X1 Round Head Screw
-  3X20mm X3 Round Head Screw
-   M3 Nut X6



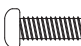


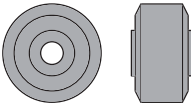
51202 X1 Motor Plate

14



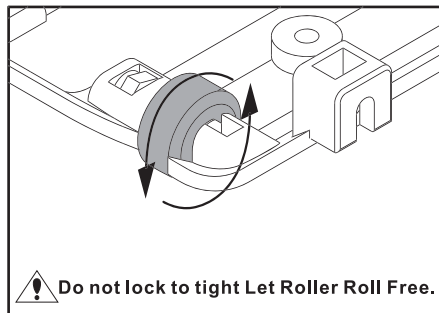
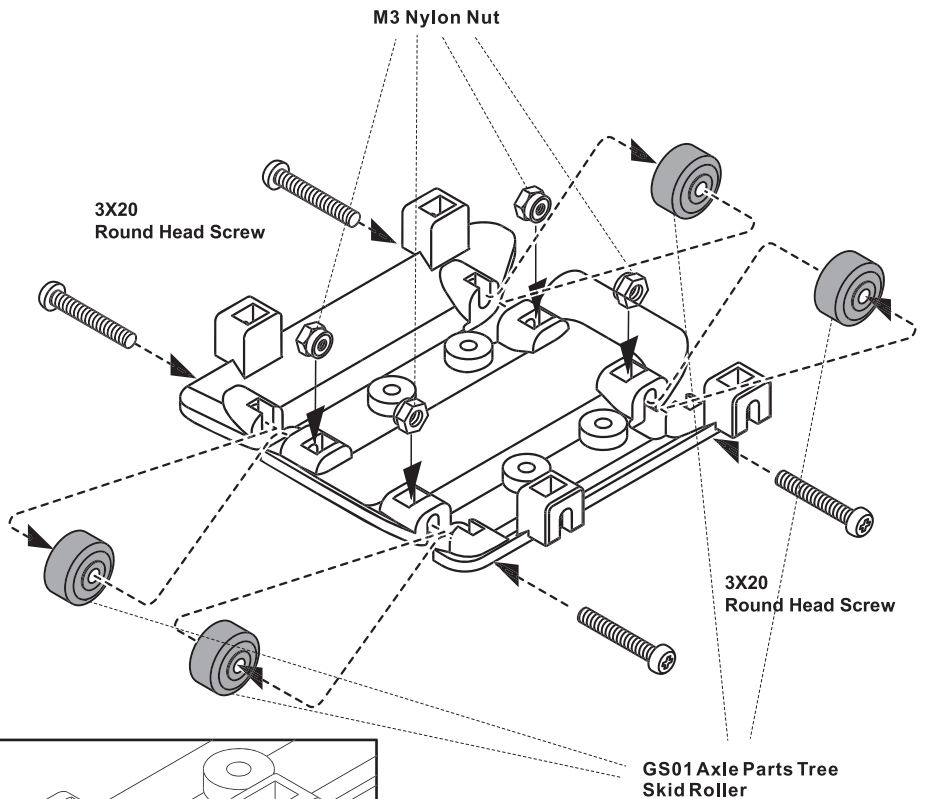
# Skid Plate

15

-  3X20mm X4 Round Head Screw
-   M3 Nylon Nut X4
-  GS01 Axle Parts Tree Skid Roller X4

GS01 Axle Parts Tree Skid Roller X4

15



 Do not lock to tight Let Roller Roll Free.

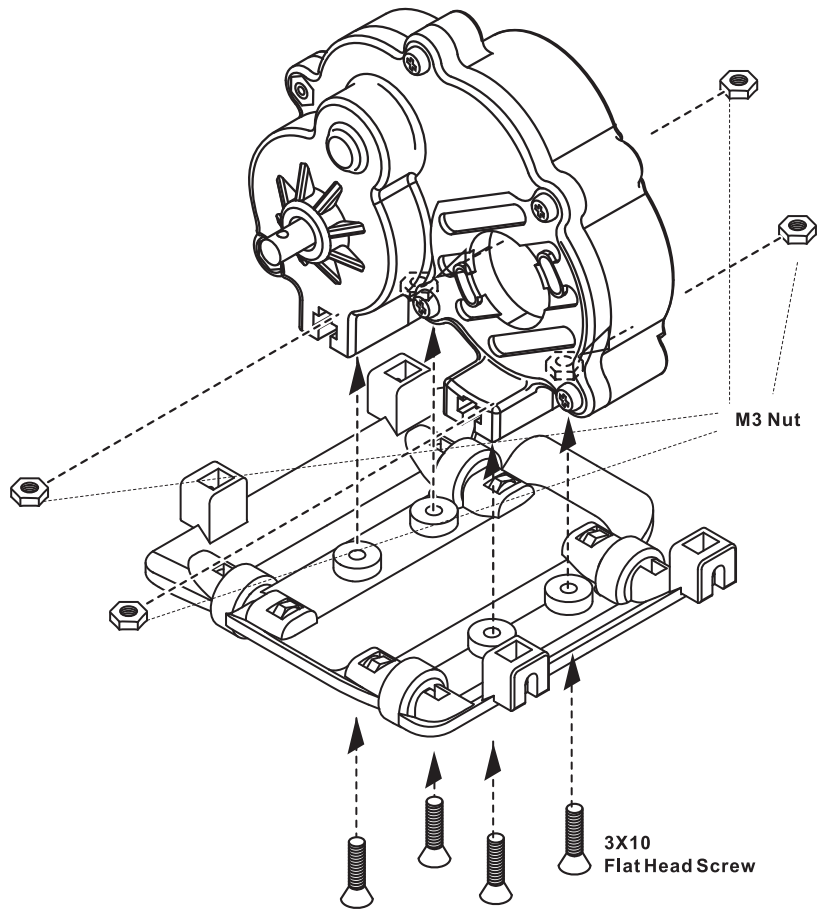
# Transmission Housing Assembly

16

16

3X10mm X4 Flat Head Screw

M3 Nut X4



# Motor

17

17

3X4mm X1 Socket Set Screw

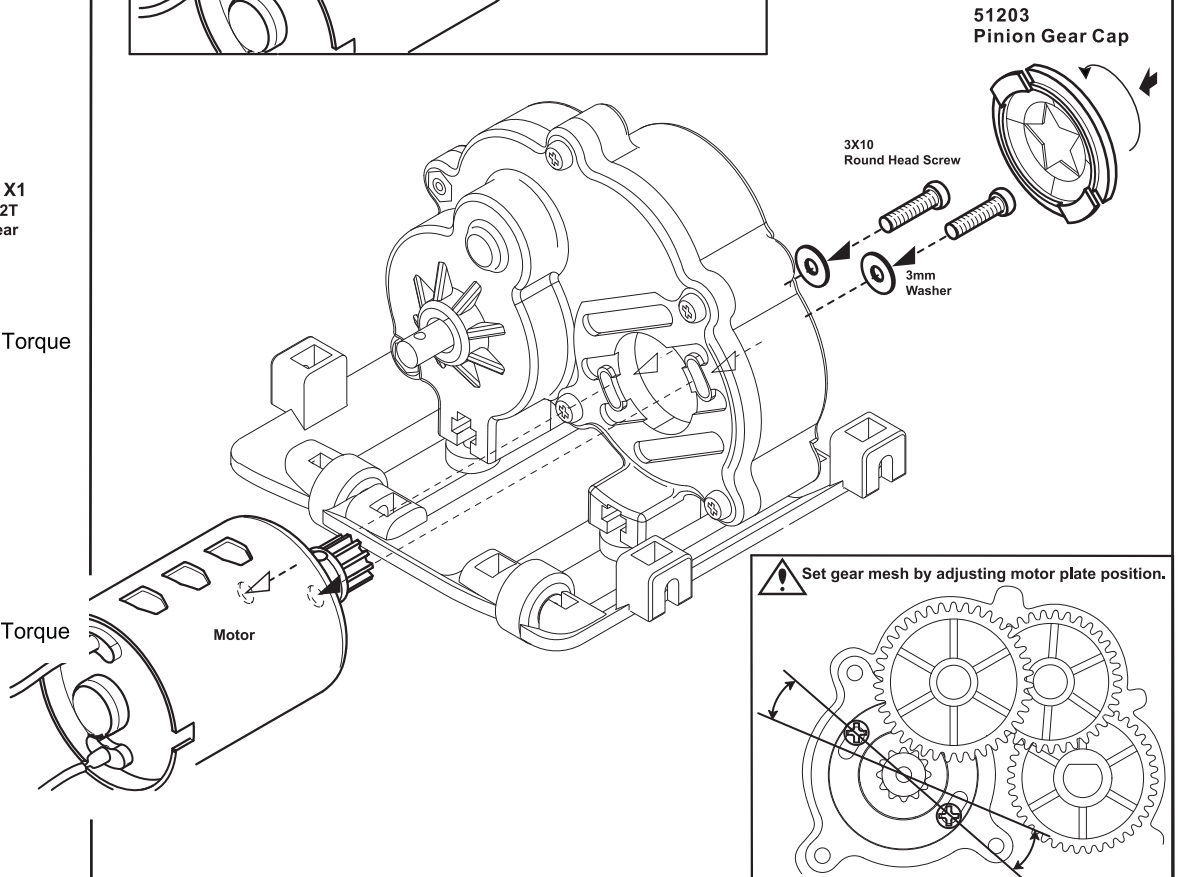
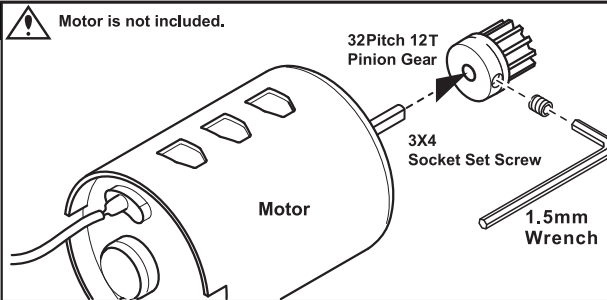
3mm X2 Washer

3X10mm X2 Round Head Screw

20142 X1 32Pitch 12T Pinion Gear

**⚠ Gear Ratio**


|    |      |                    |
|----|------|--------------------|
| 9  | 57.0 | Slower-More Torque |
| 10 | 51.3 |                    |
| 11 | 46.6 |                    |
| 12 | 42.8 | Stock              |
| 13 | 39.5 |                    |
| 14 | 36.6 |                    |
| 15 | 34.2 |                    |
| 16 | 32.1 |                    |
| 17 | 30.2 |                    |
| 18 | 28.5 |                    |
| 19 | 27.0 | Faster-Less Torque |



# Universal Shafts Assembly

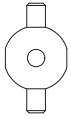
**18** ⚠ Make 2.

**18**

 3X3mm X4  
Socket Set Screw

 Cross Pin X4

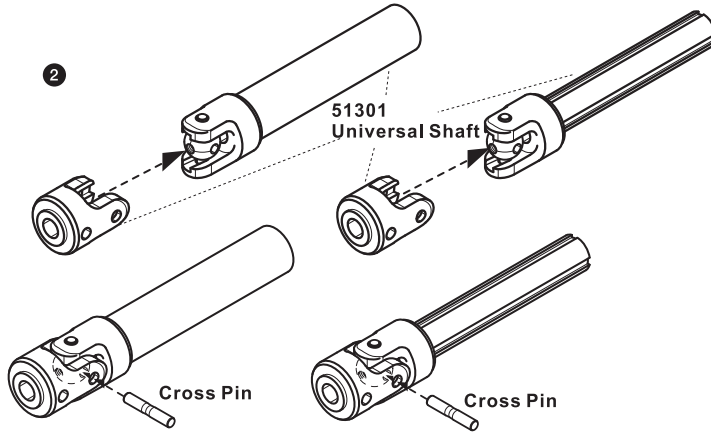
51301 X2  
Universal Shaftset



51302 X4  
U-Joint

51302  
U-Joint

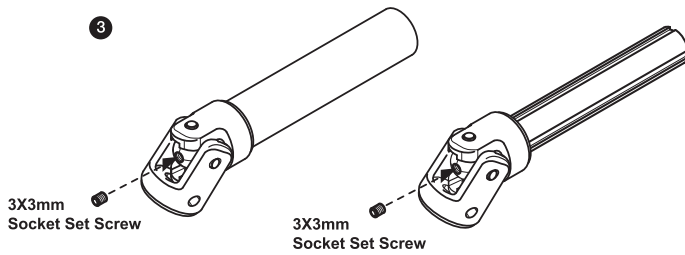
**2**



Cross Pin

Cross Pin

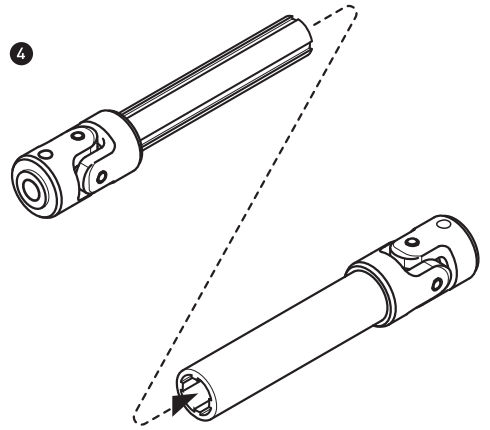
**3**



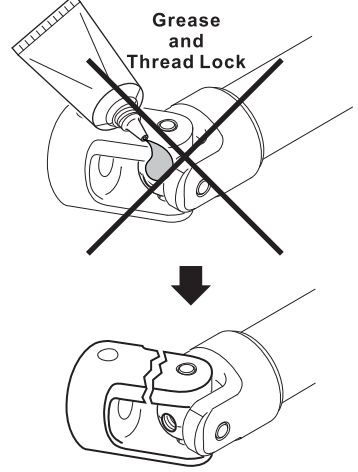
3X3mm  
Socket Set Screw

3X3mm  
Socket Set Screw

**4**




⚠ Never use Grease and Thread Lock.



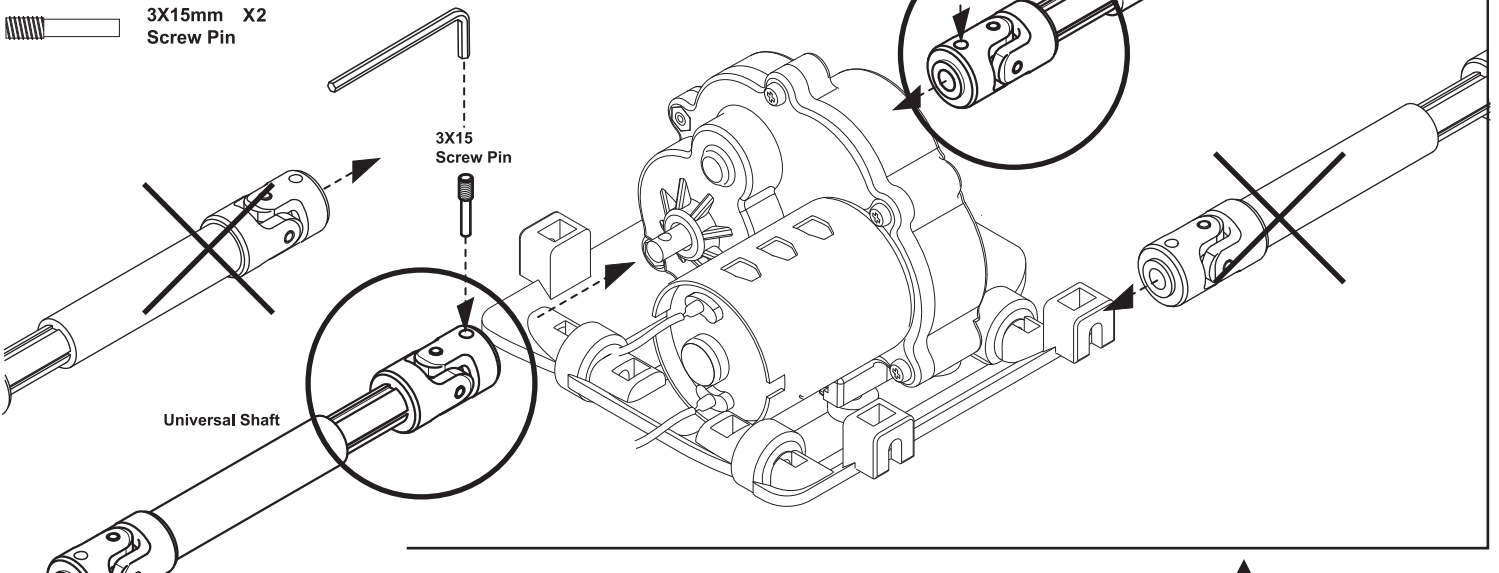
# Universal Shafts

**19** ⚠ Double Check the Universal's direction.

**19**

 3X15mm X2  
Screw Pin

1.5mm Wrench



3X15  
Screw Pin

Universal Shaft

3X15  
Screw Pin

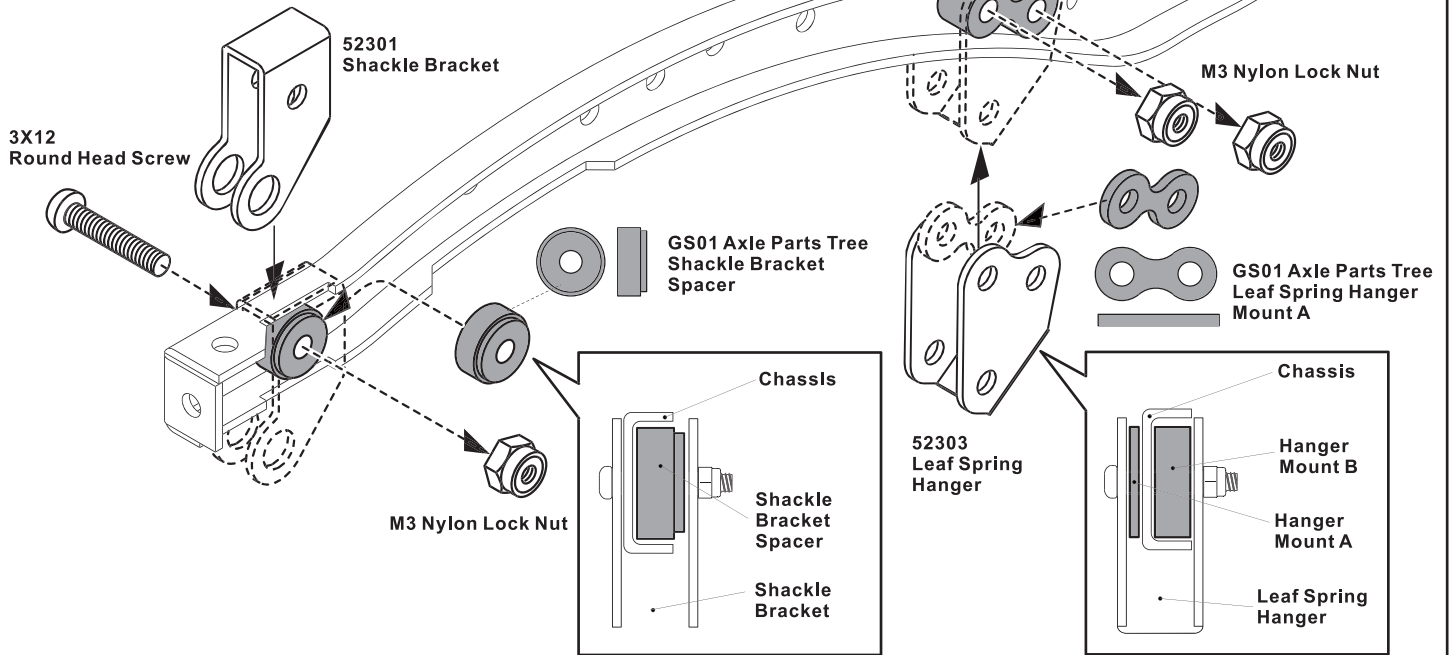
Universal Shaft

## Front Leaf Spring Mount Assembly

**20** 3X16 X2 Round Head Screw

3X12 X1 Round Head Screw

M3 Nylon Lock Nut X3

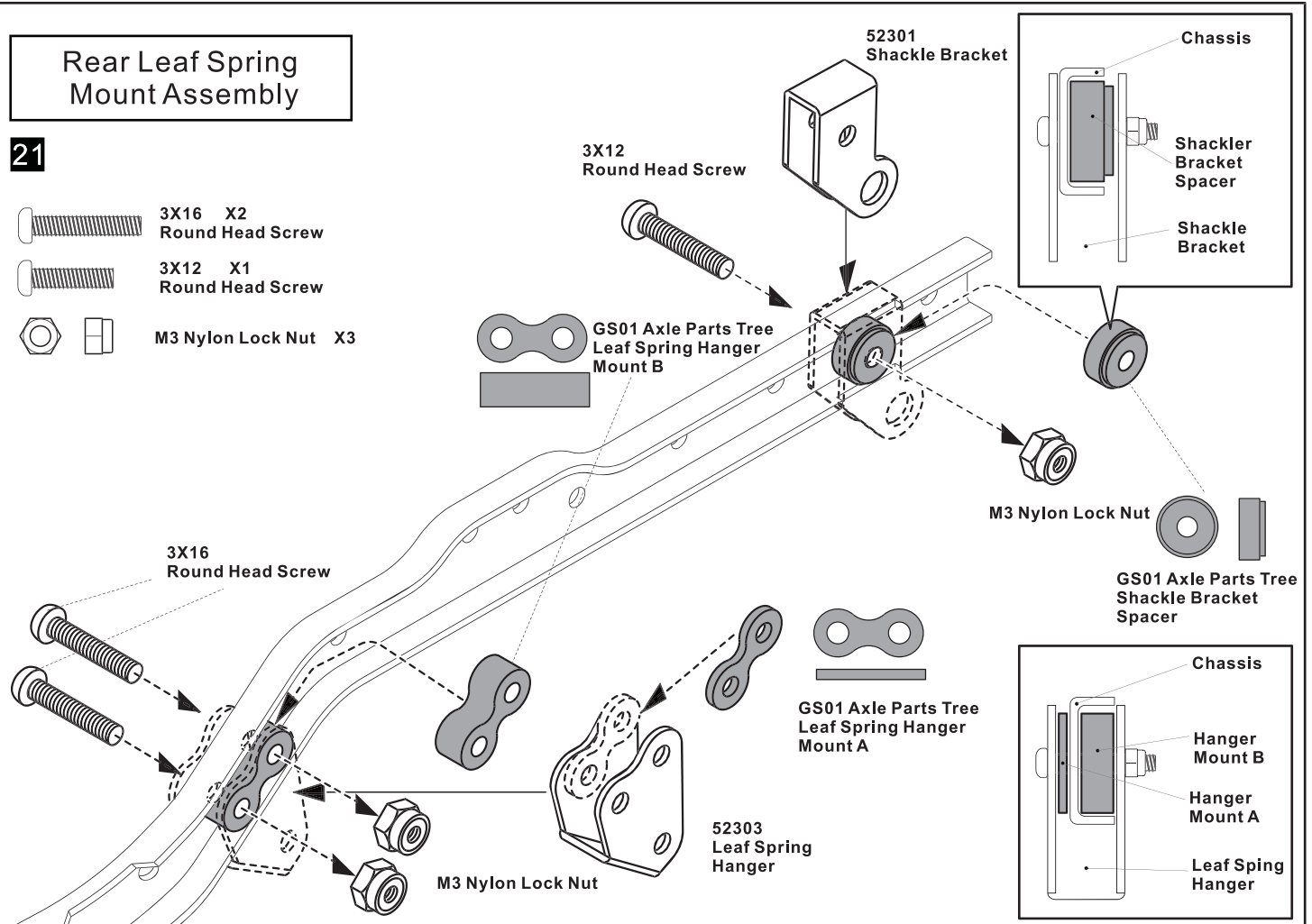


## Rear Leaf Spring Mount Assembly

**21** 3X16 X2 Round Head Screw

3X12 X1 Round Head Screw

M3 Nylon Lock Nut X3

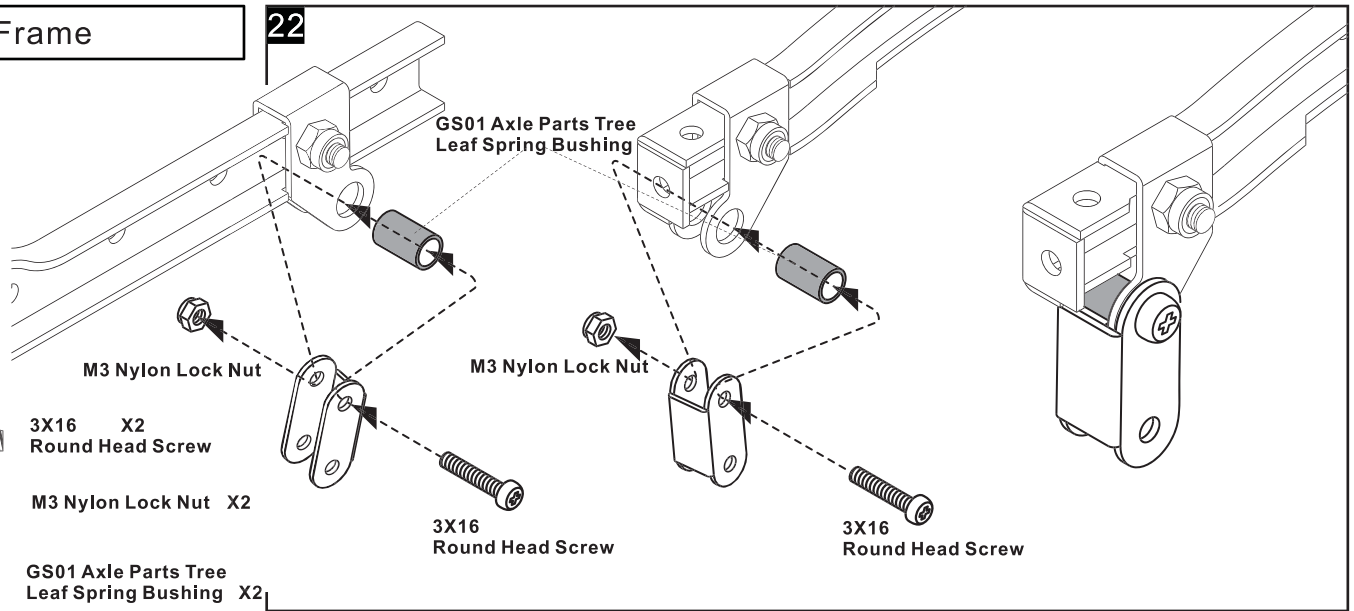




Frame




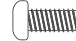
22

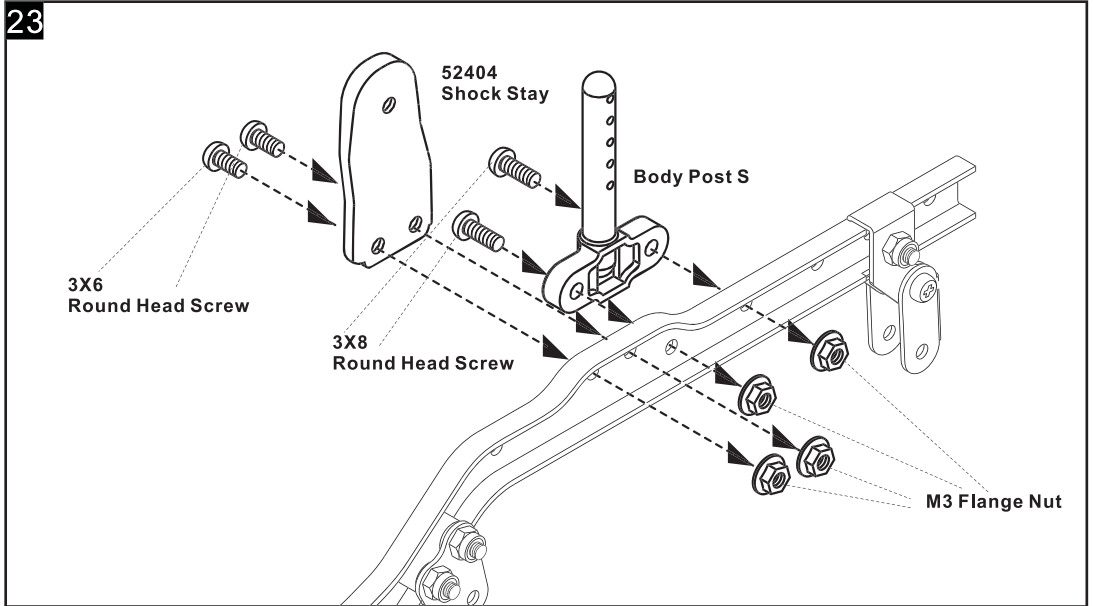
22



23




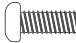
23

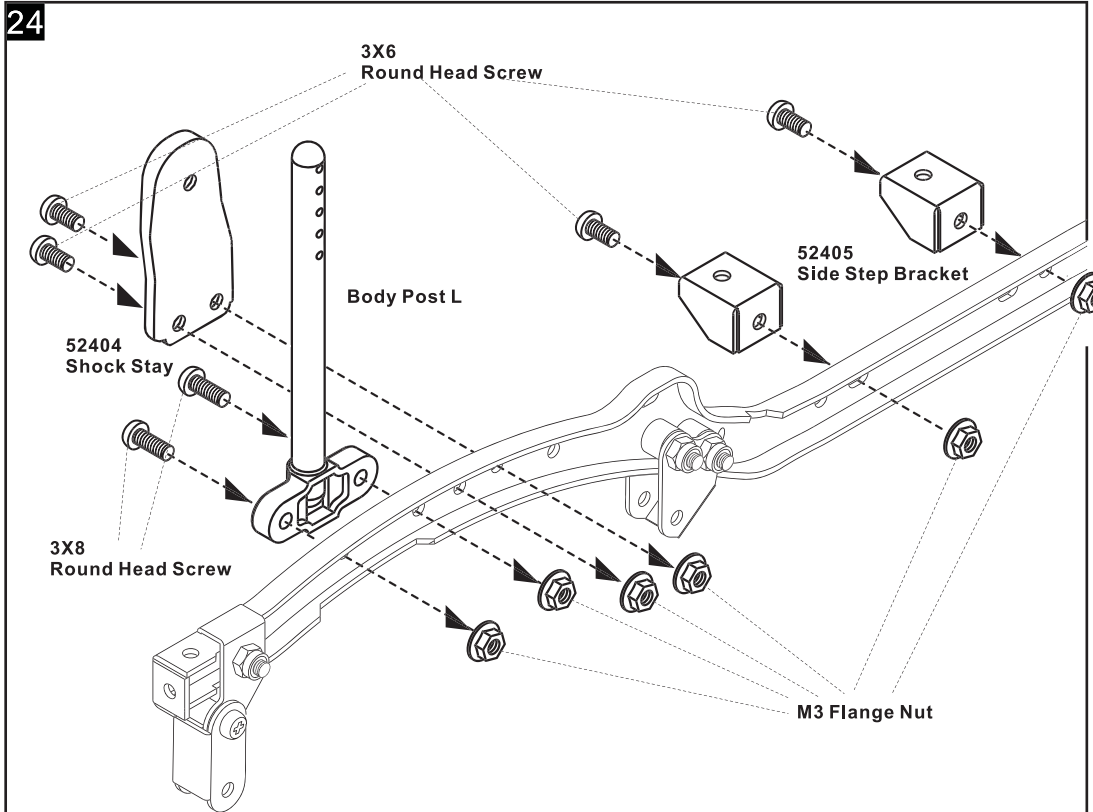
-   M3 Flange Nut X4
-  3X6 X2 Round Head Screw
-  3X8 X2 Round Head Screw

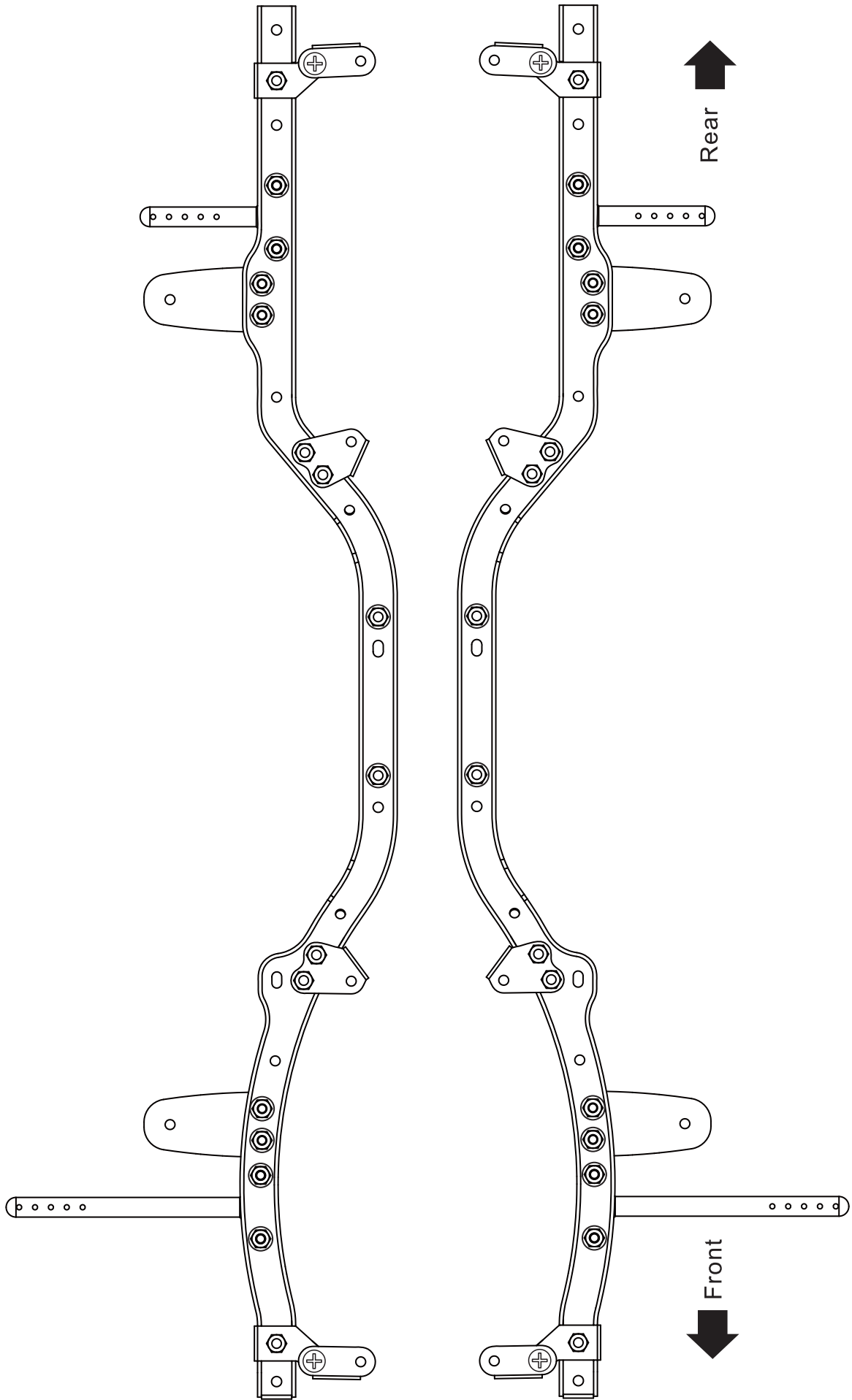


24

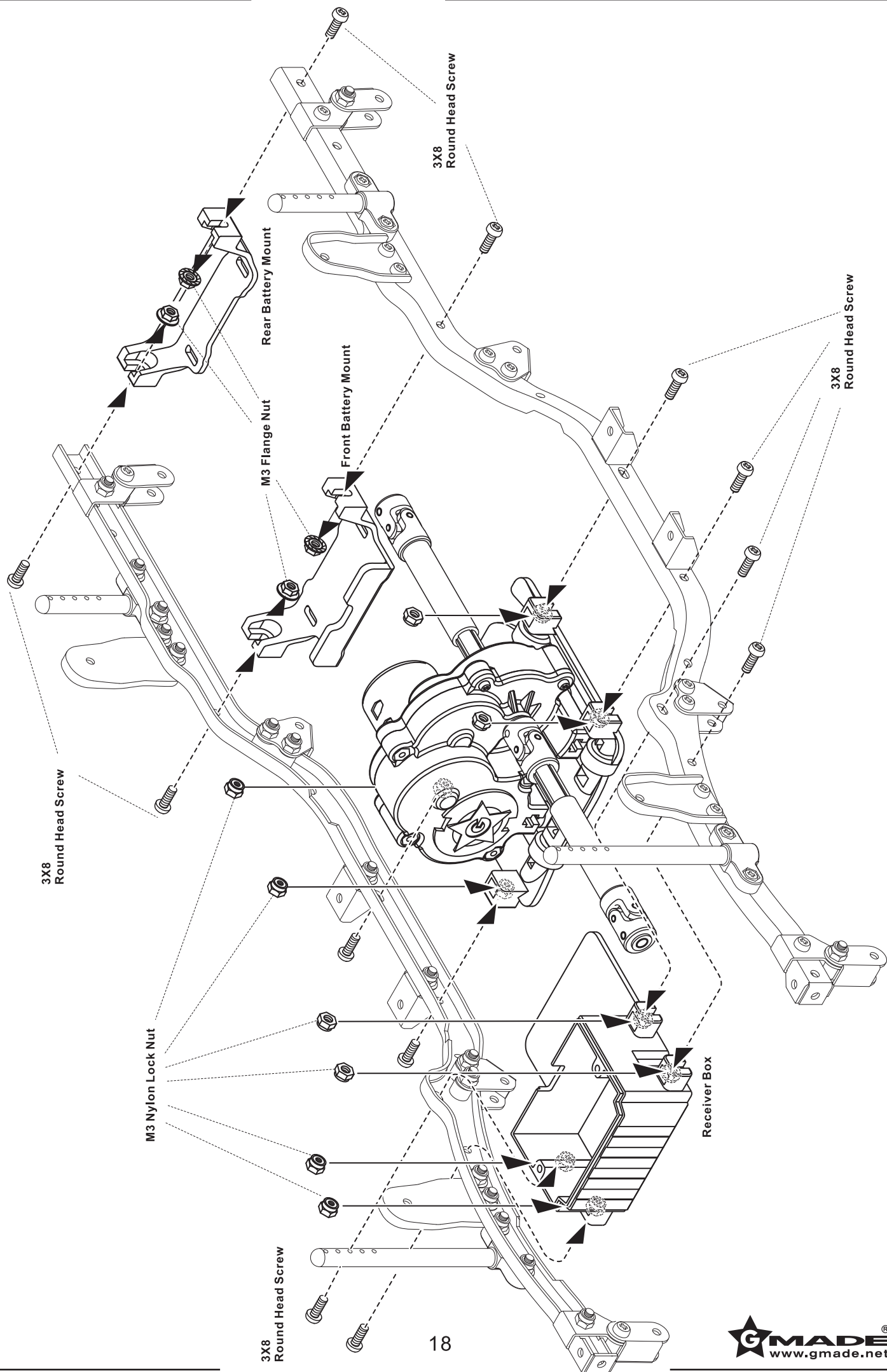
24

-   M3 Flange Nut X6
-  3X6 X4 Round Head Screw
-  3X8 X2 Round Head Screw





Assemble other Right side in same.



## Chassis & Axles

26



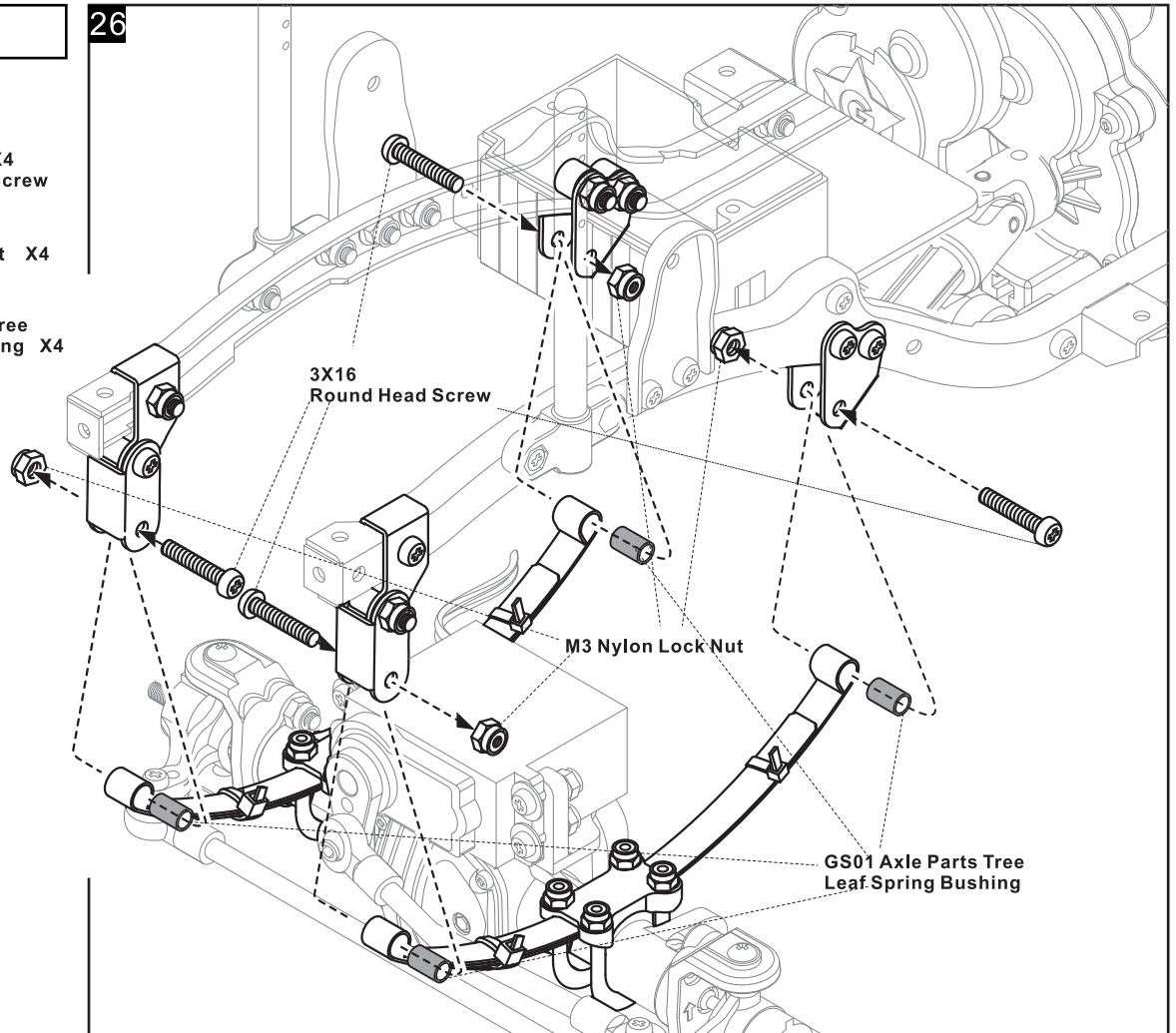
3X16mm X4  
Round Head Screw



M3 Nylon Lock Nut X4



GS01 Axle Parts Tree  
Leaf Spring Bushing X4



## Chassis & Axles

27



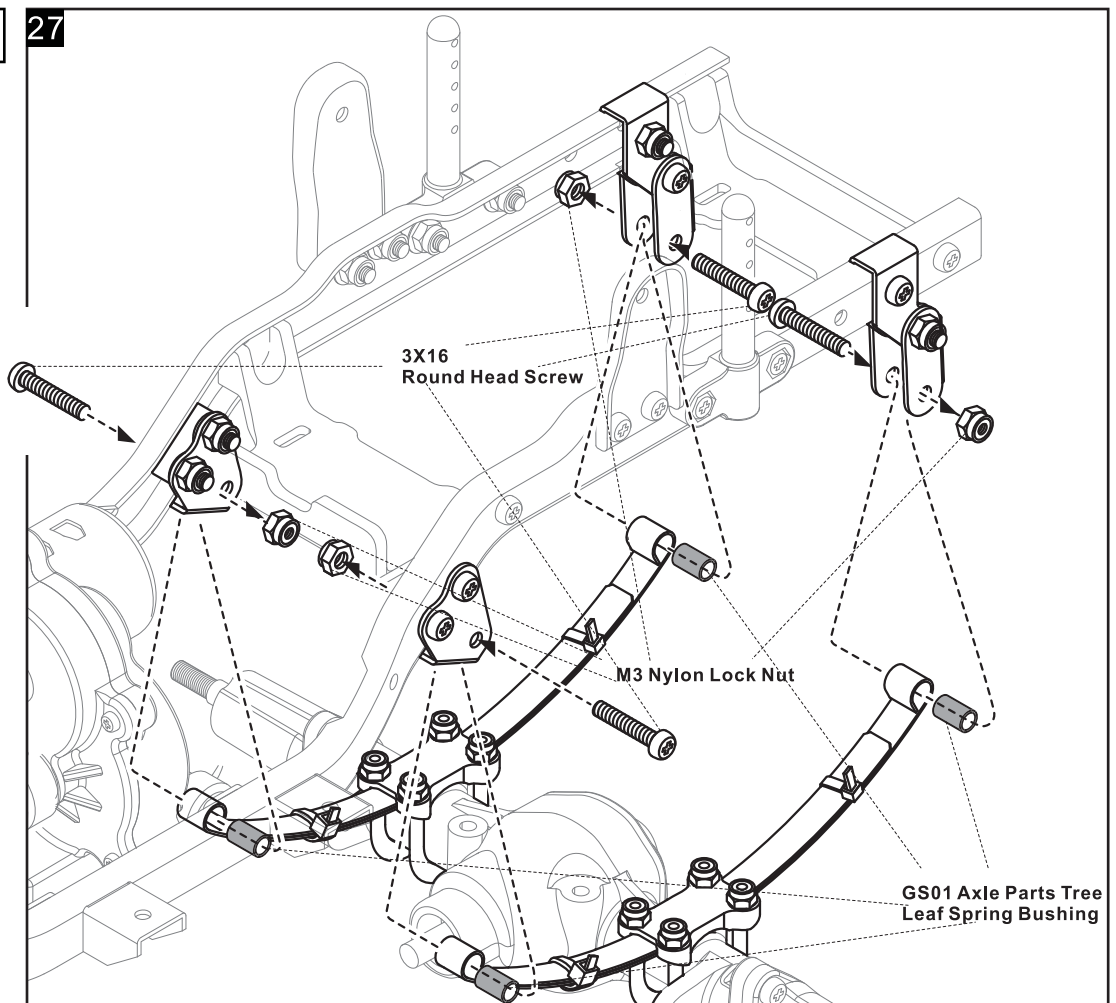
3X16mm X4  
Round Head Screw



M3 Nylon Lock Nut X4



GS01 Axle Parts Tree  
Leaf Spring Bushing X4





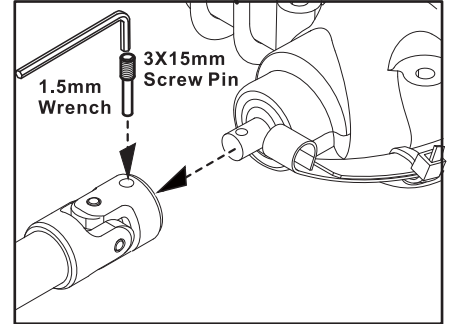
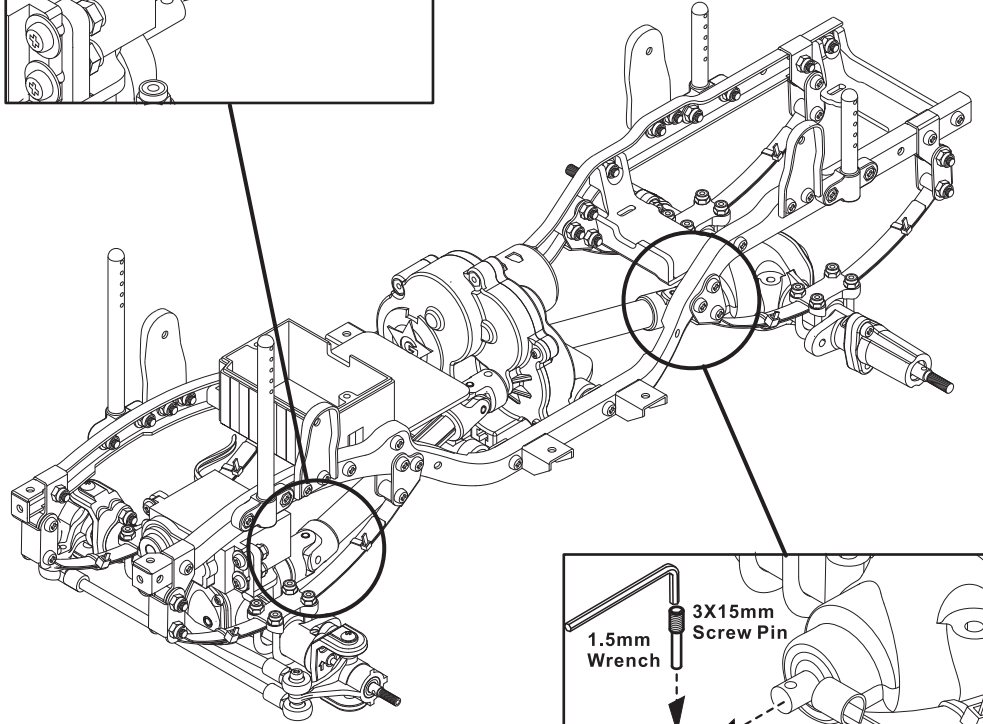
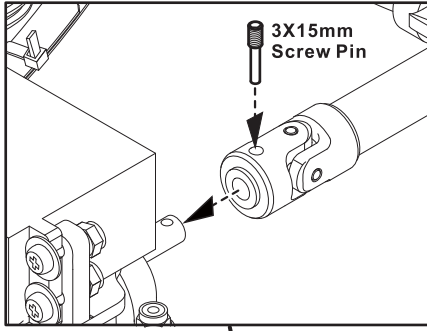
## Universal Pin

28



3X15mm X2  
Screw Pin

28



## Shock Assembly

29



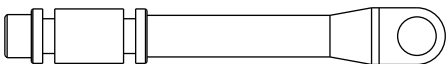
S5 O-Ring X8



0020045  
C-Ring X4



0020043  
Shock Spring X4

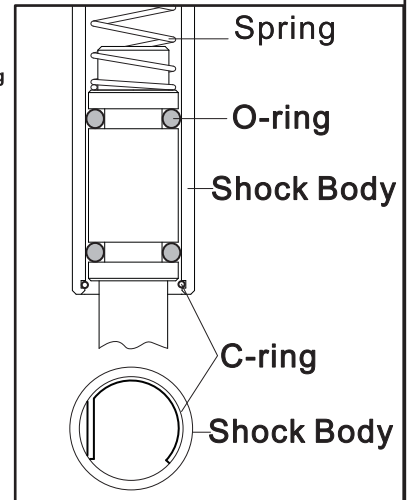
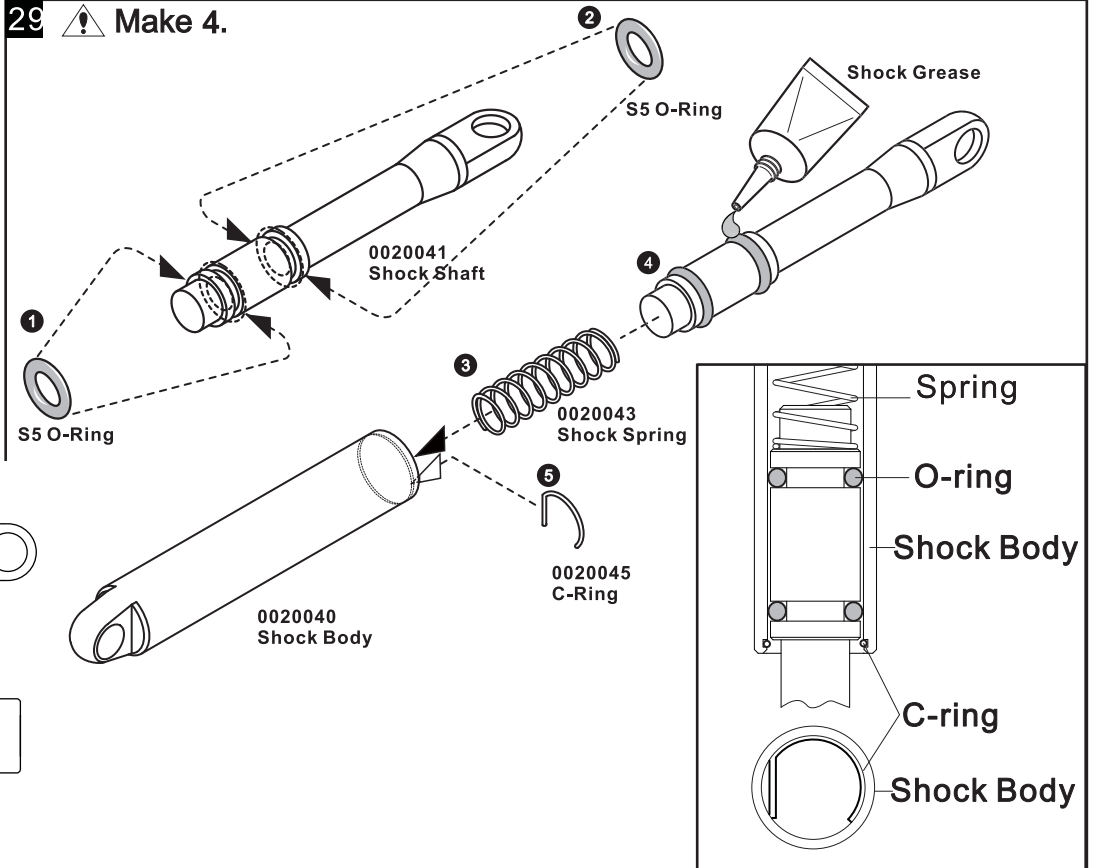


0020041  
Shock Shaft X4



0020040  
Shock Body X4

29 ⚠ Make 4.




# Chassis & Shock

30

30

 3X20mm X4  
Round Head Screw

 3X18mm X4  
Round Head Screw

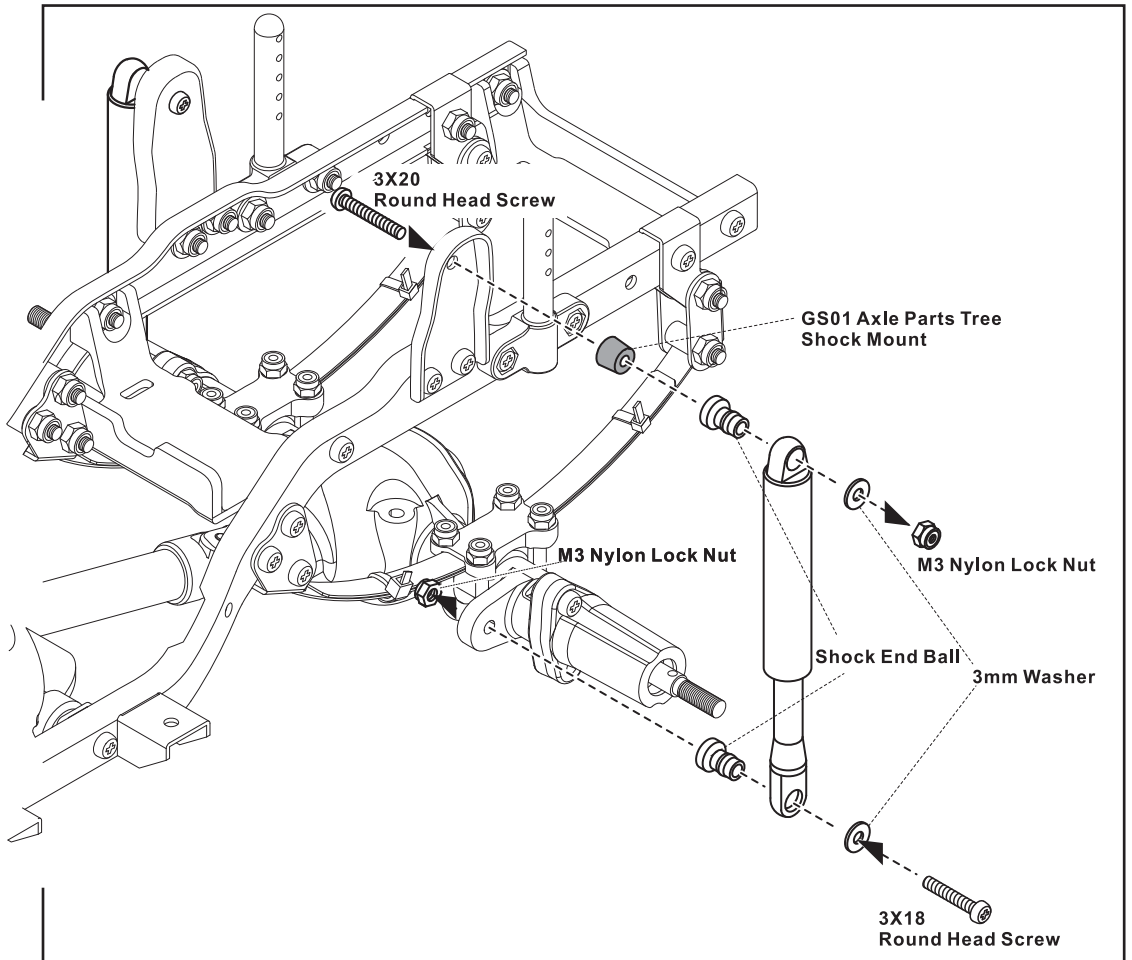
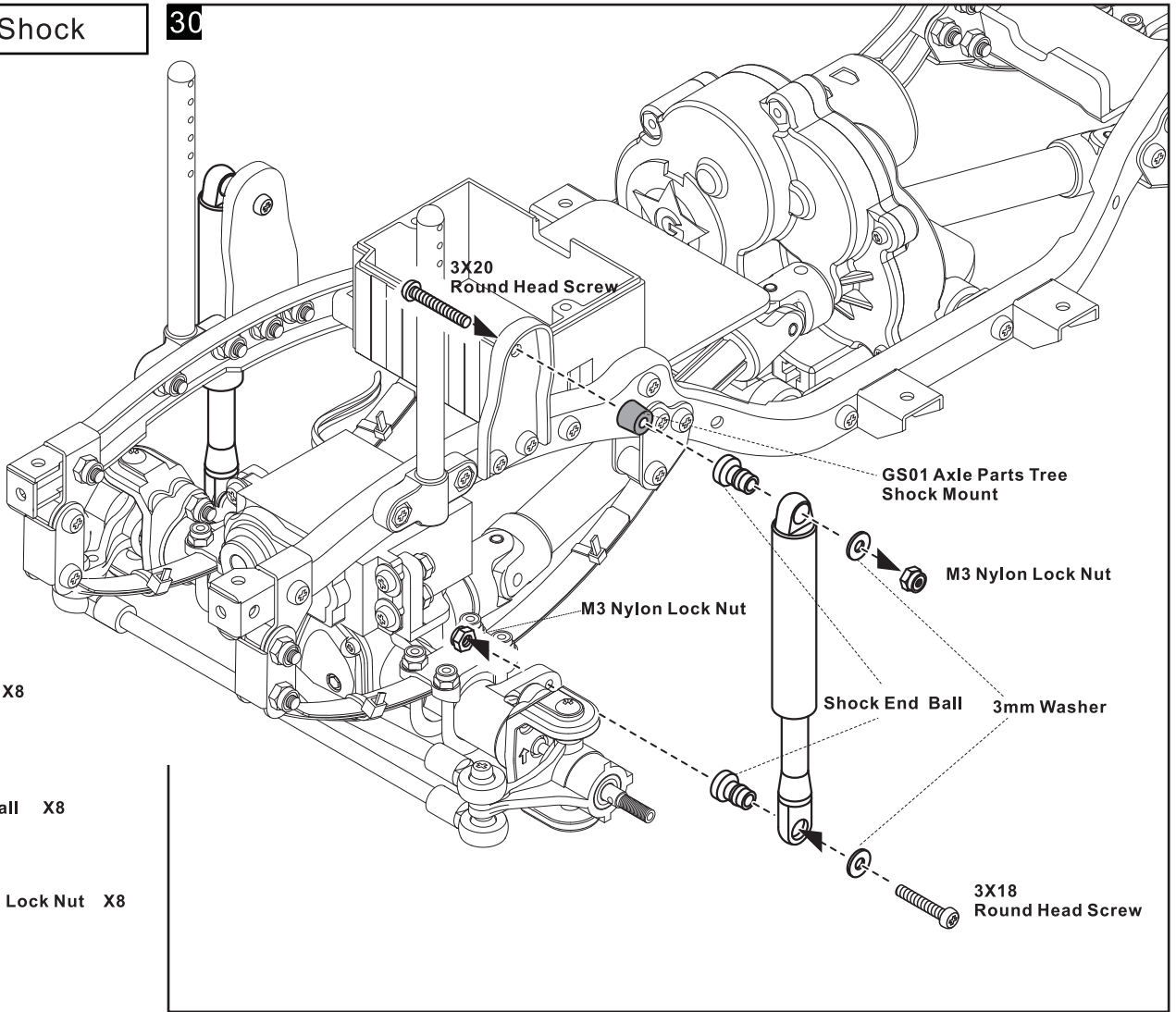
 3mm Washer X8

 0020042  
Shock End Ball X8

 M3 Nylon Lock Nut X8



GS01 Axle Parts Tree  
Shock Mount X4



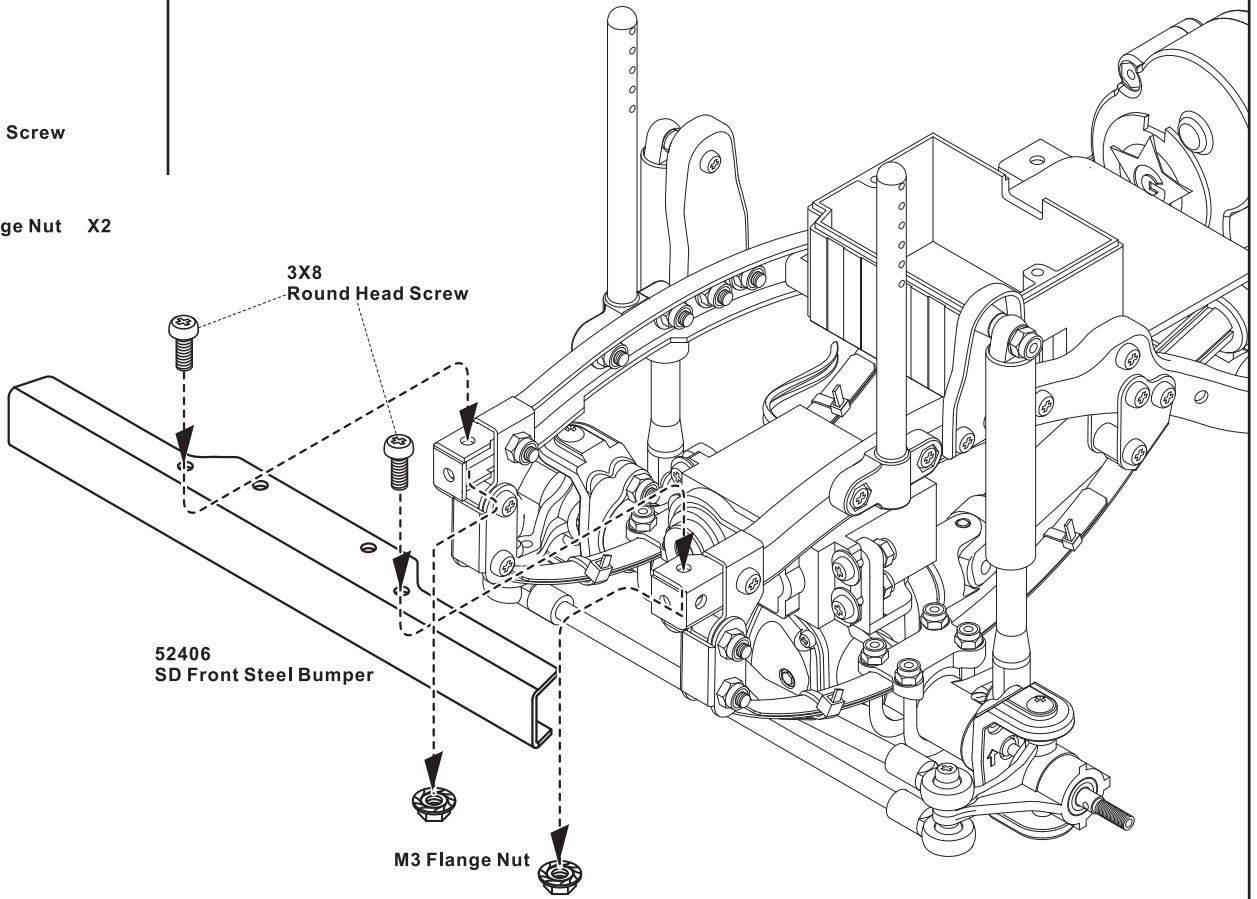
# Bumper

31

31

3X8mm X2  
Round Head Screw

M3 Flange Nut X2



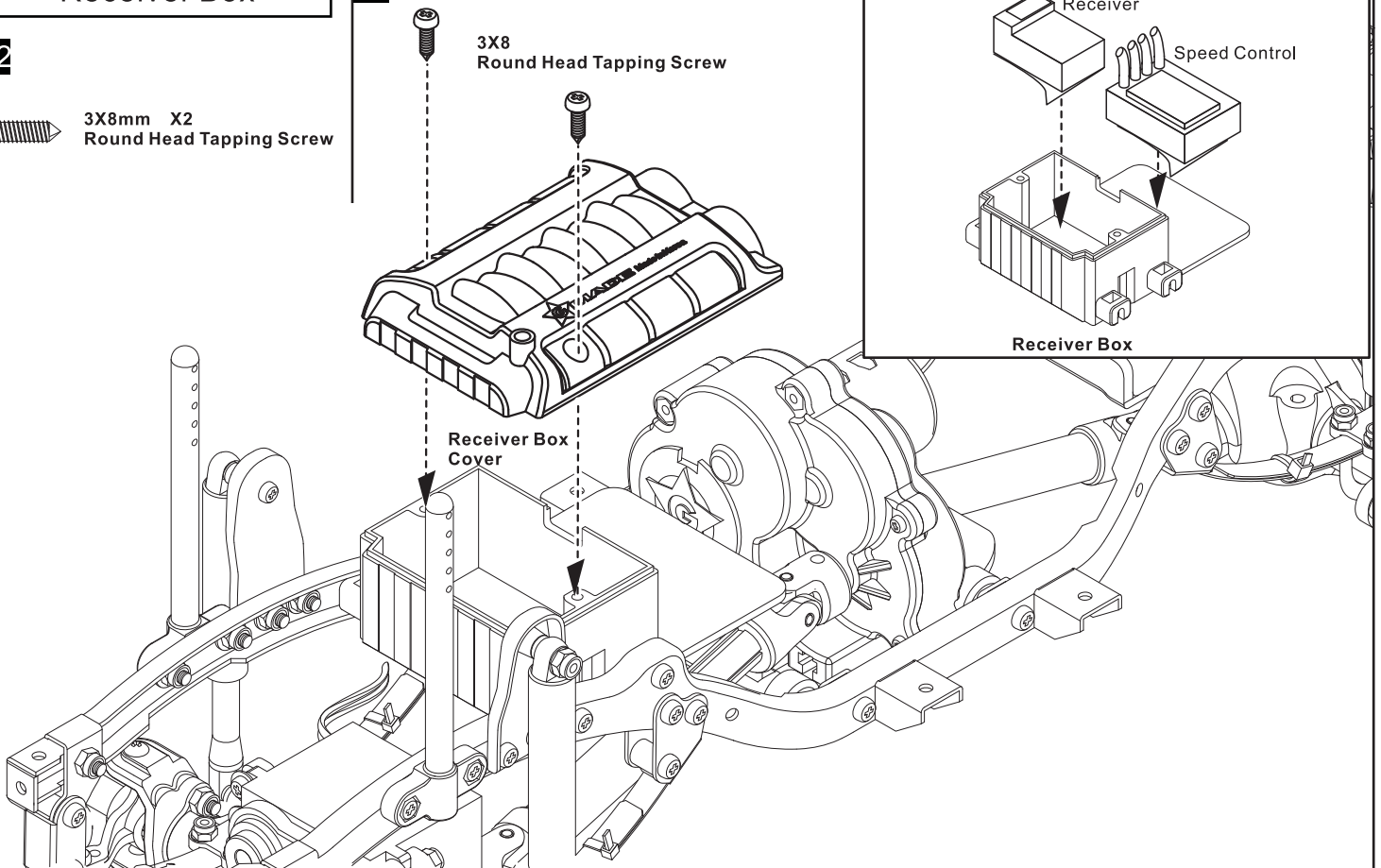
# Receiver Box

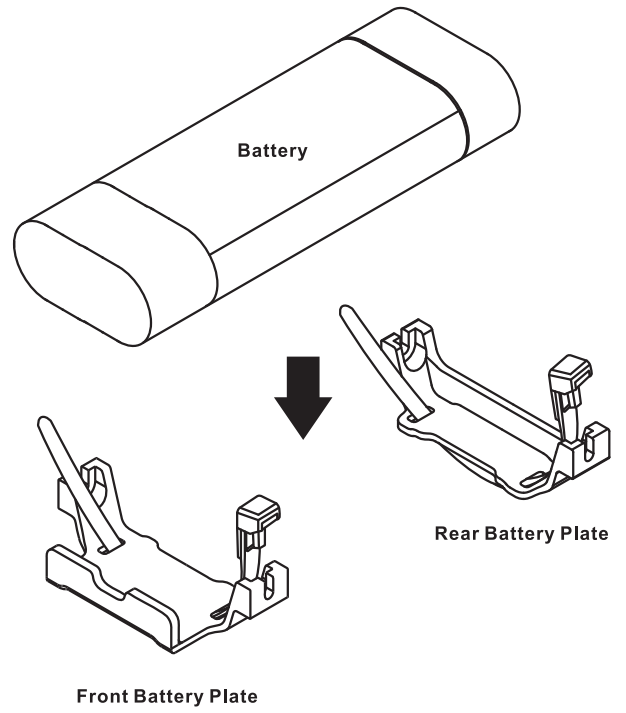
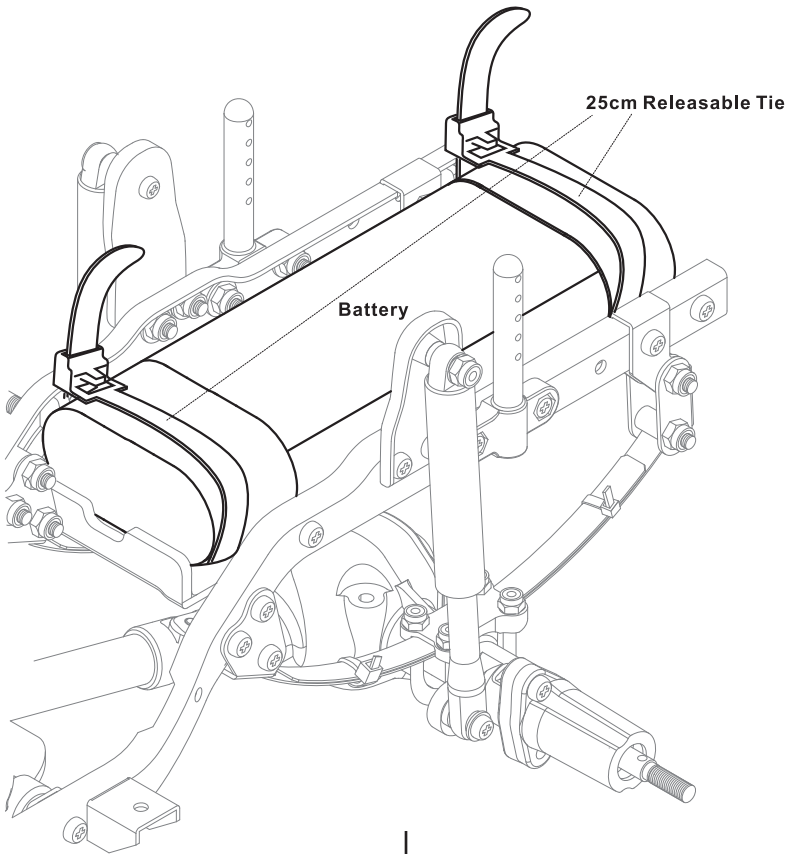
32

32

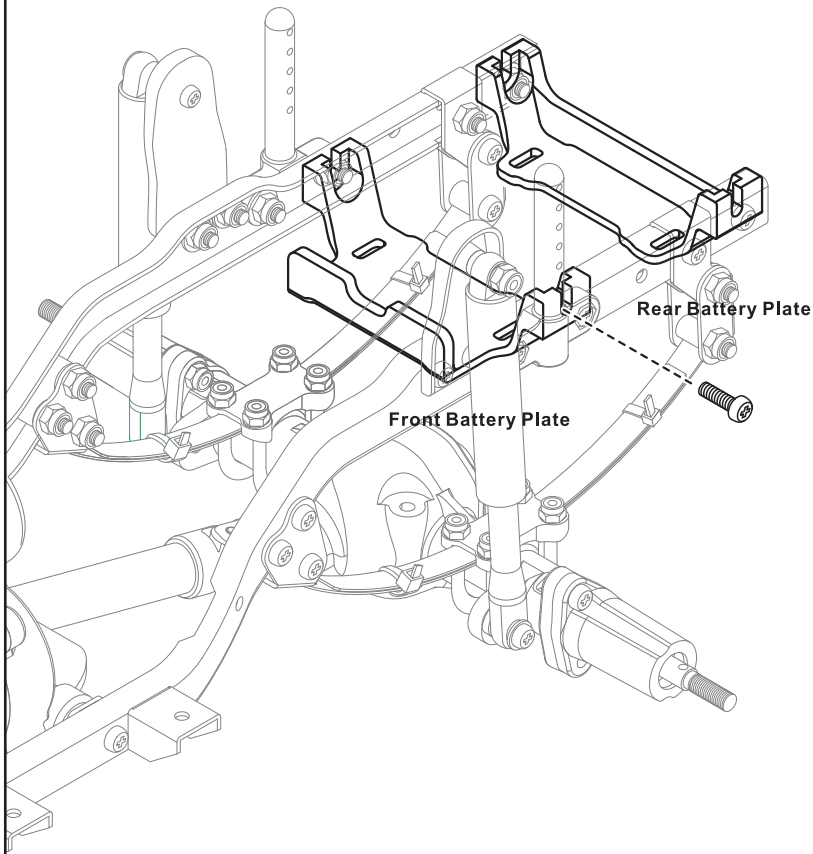
3X8mm X2  
Round Head Tapping Screw

3X8mm X2  
Round Head Tapping Screw





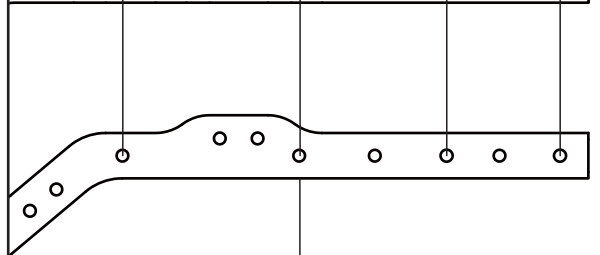
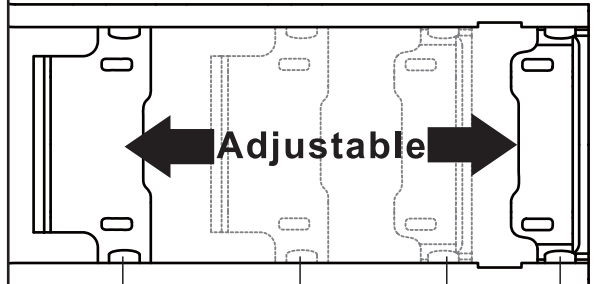
### Adjustable Battery Plate Settings



Battery plate can be placed in each marked Holes.

Front Battery Plate

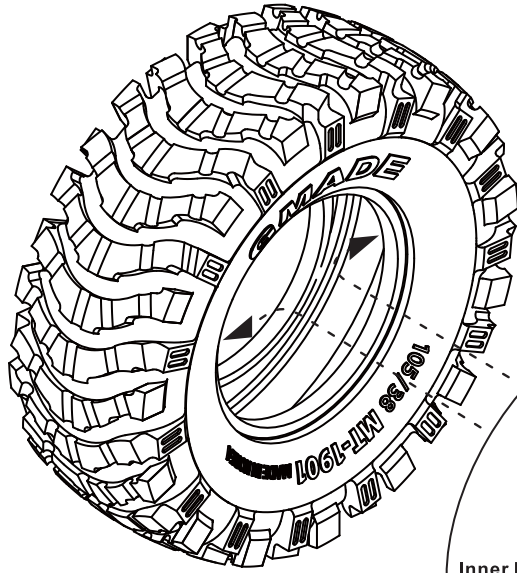
Rear Battery Plate



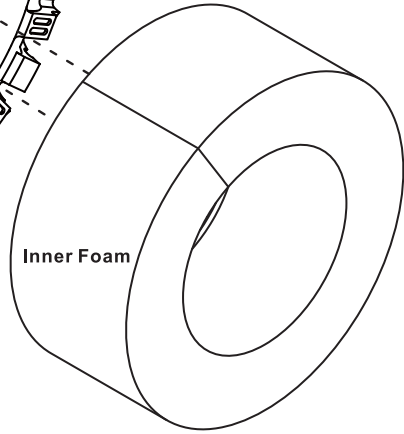
3X10mm Round Head Screw

3X10mm bolts needed to used when adjusting battery plate & body post together in same position.

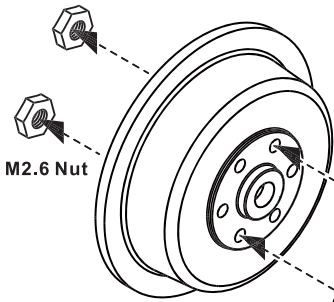




70164  
MT1901 Tire

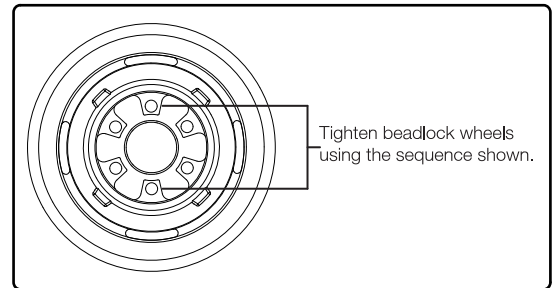


Inner Foam

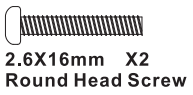


M2.6 Nut

Back Half Of Wheel



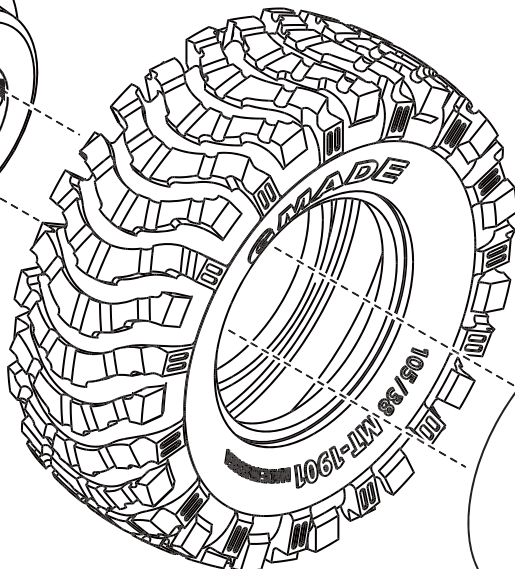
Tighten beadlock wheels  
using the sequence shown.



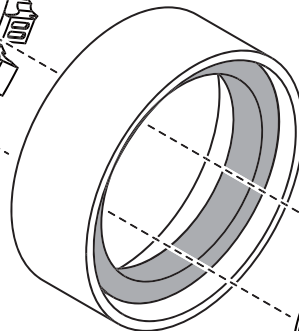
2.6X16mm X2  
Round Head Screw



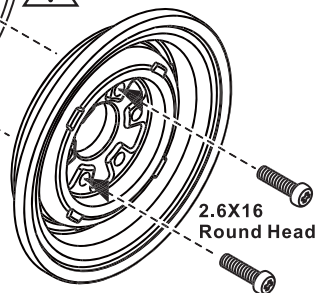
M2.6 Nut X2



70164  
MT1901 Tire

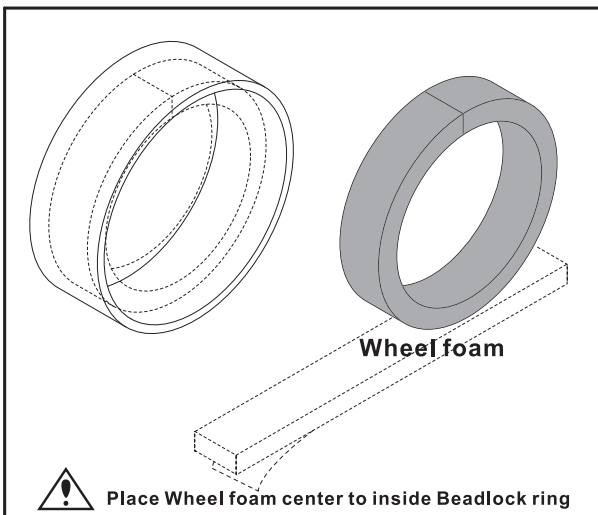


Inner Bead Lock Wheel



2.6X16  
Round Head Screw

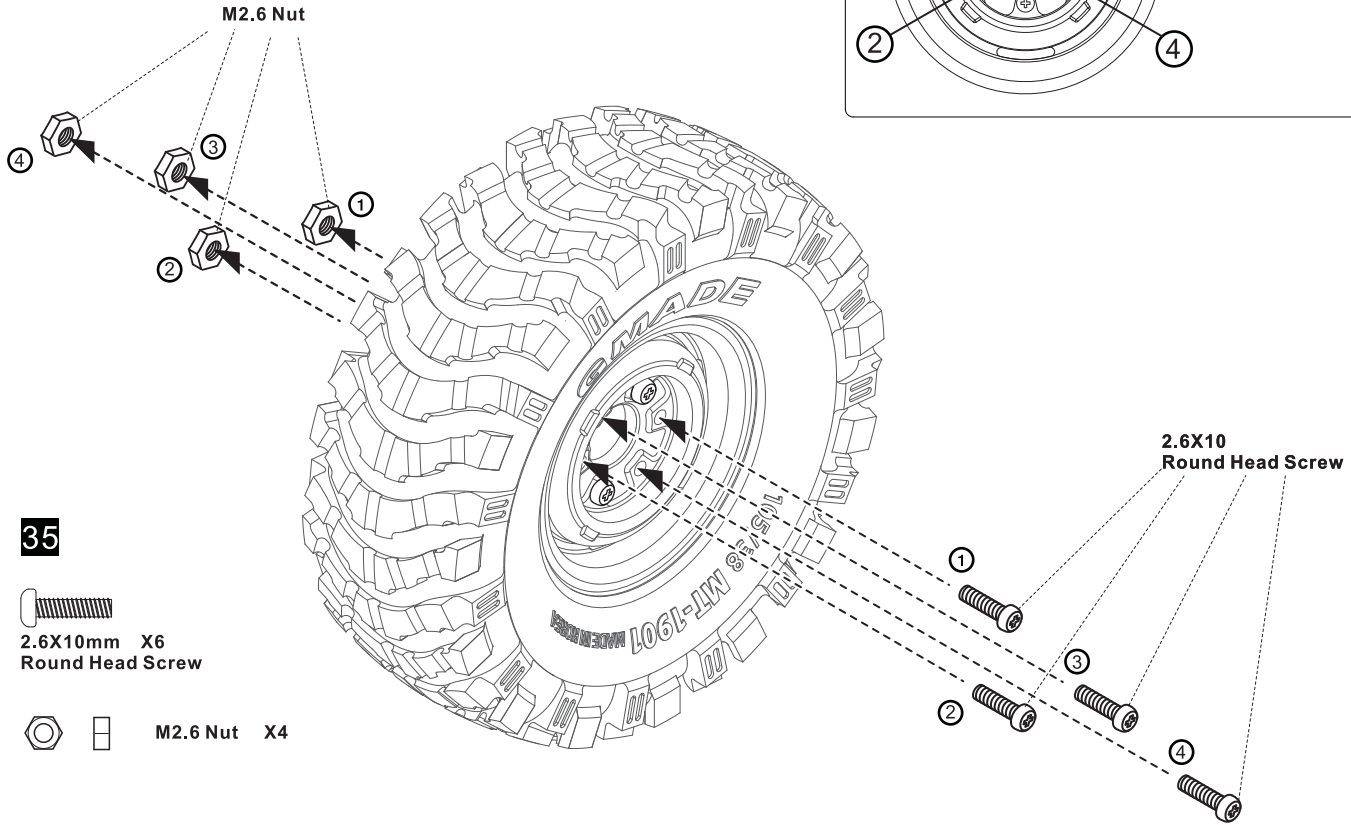
Front Half Of Wheel



Wheel foam

Place Wheel foam center to inside Beadlock ring

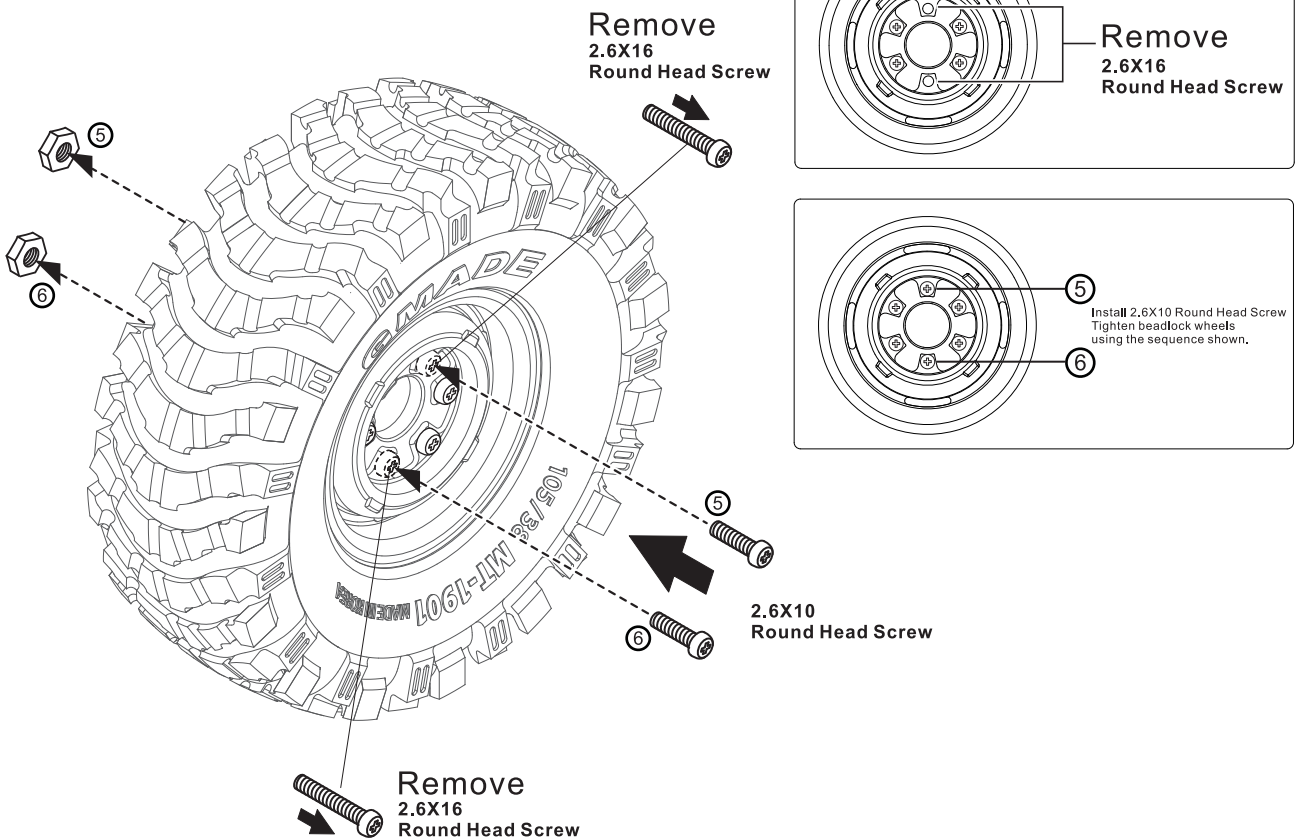




35

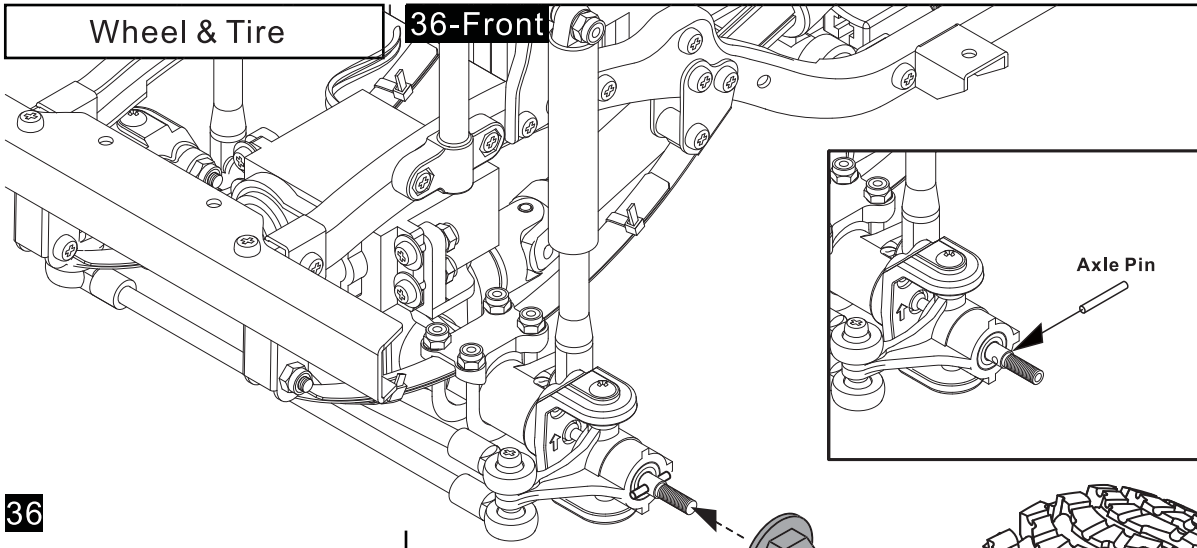
2.6X10mm X6 Round Head Screw

M2.6 Nut X4



Wheel & Tire

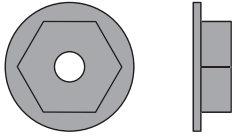
36-Front



36

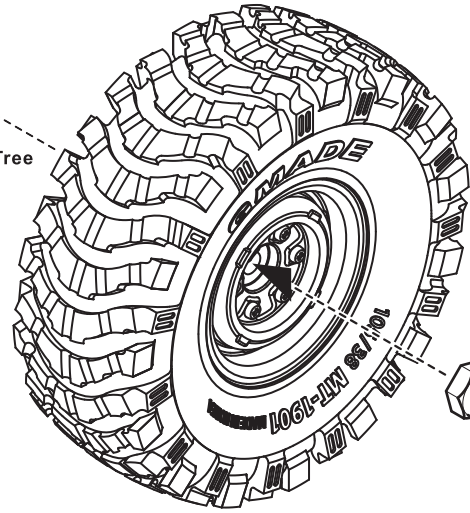
Axle Pin X4

M4 Wheel Nut X4



GS01 Axle Part Tree Wheel Hex Hub A X4

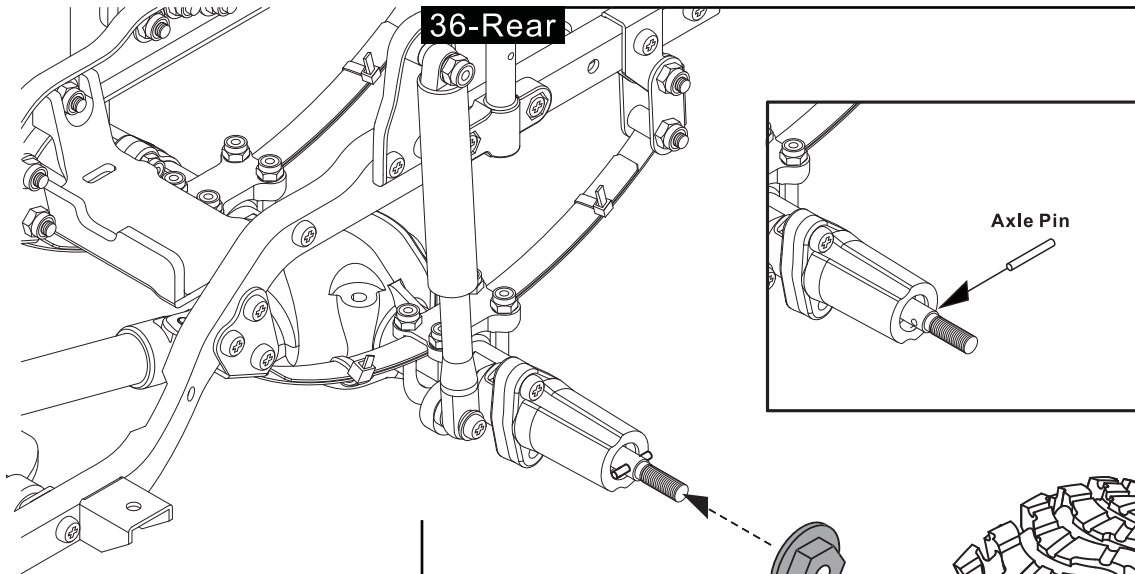
GS01 Axle Parts Tree Wheel Hex Hub A



M4 Wheel Nut

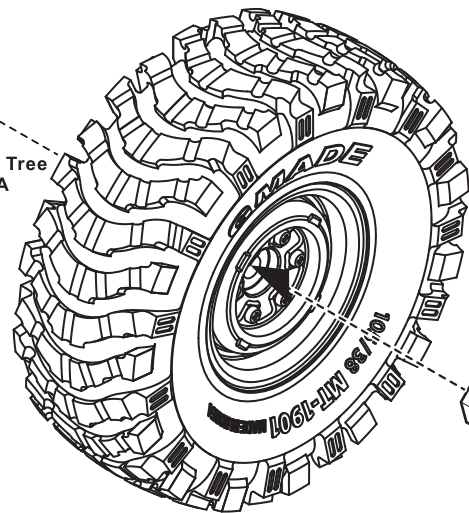
Box Wrench

36-Rear



Axle Pin

GS01 Axle Parts Tree Wheel Hex Hub A



M4 Wheel Nut

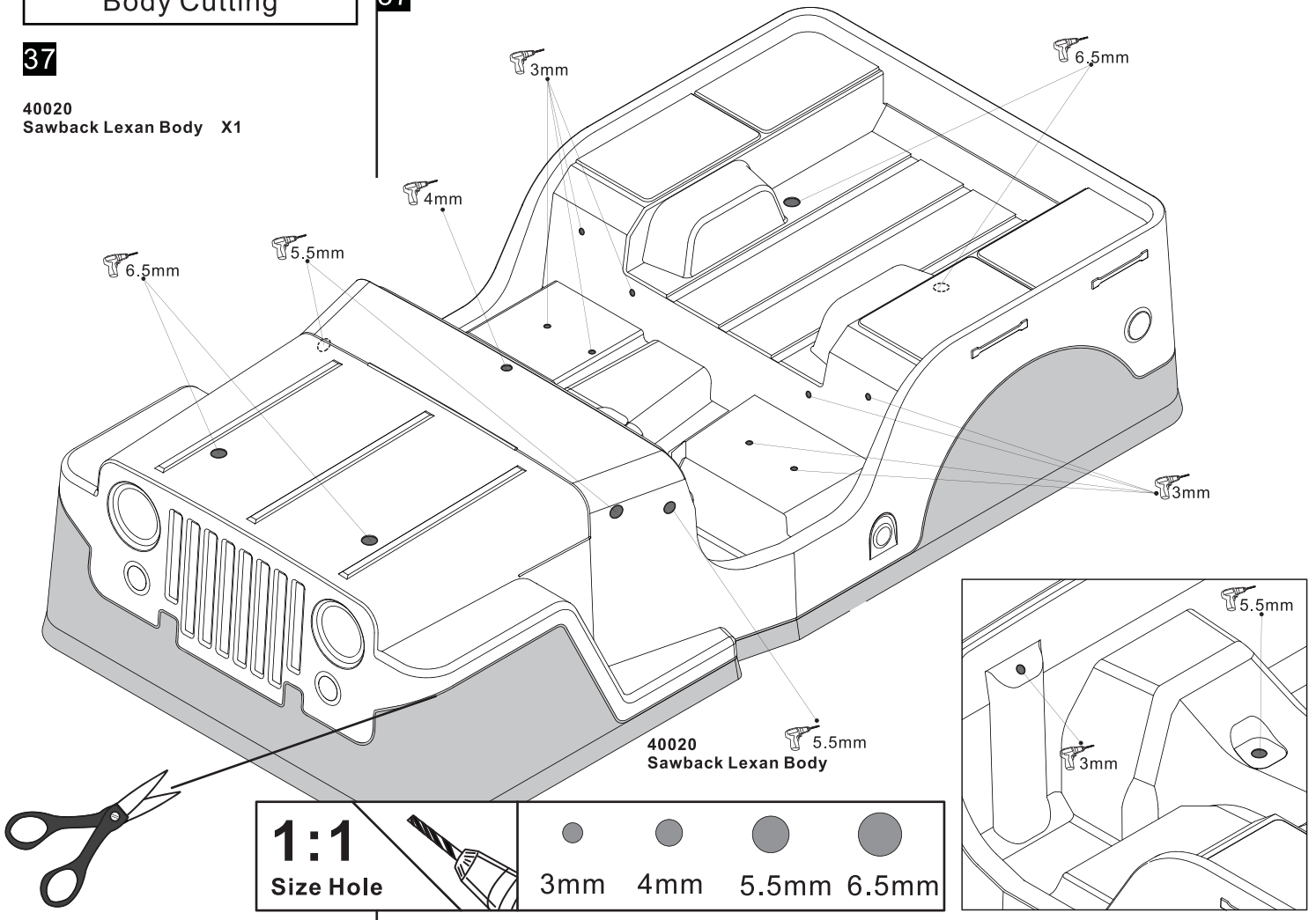
Box Wrench

## Body Cutting

37

37

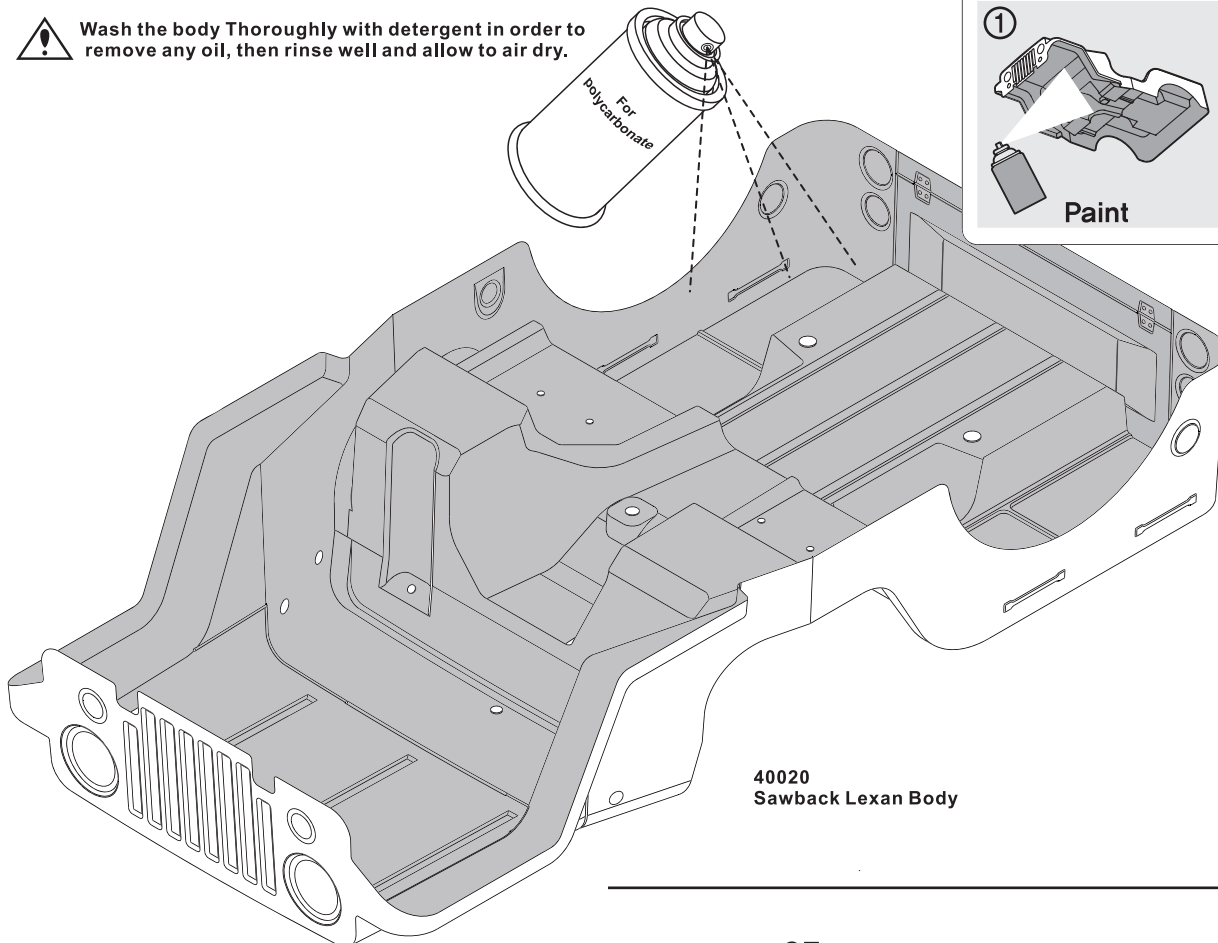
40020  
Sawback Lexan Body X1



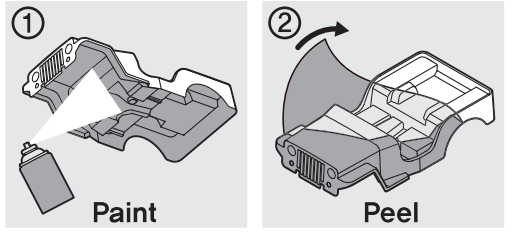
## Body Painting

38

⚠ Wash the body Thoroughly with detergent in order to remove any oil, then rinse well and allow to air dry.



## PROTECTIVE FILM



# Body Assembly

39

39

Sawback Accessory Parts Tree X1



R3 Snap Pin X3



Mirror



3X35mm X1 Round Head Screw



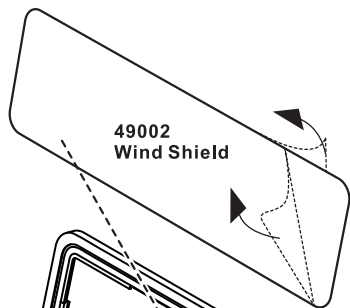
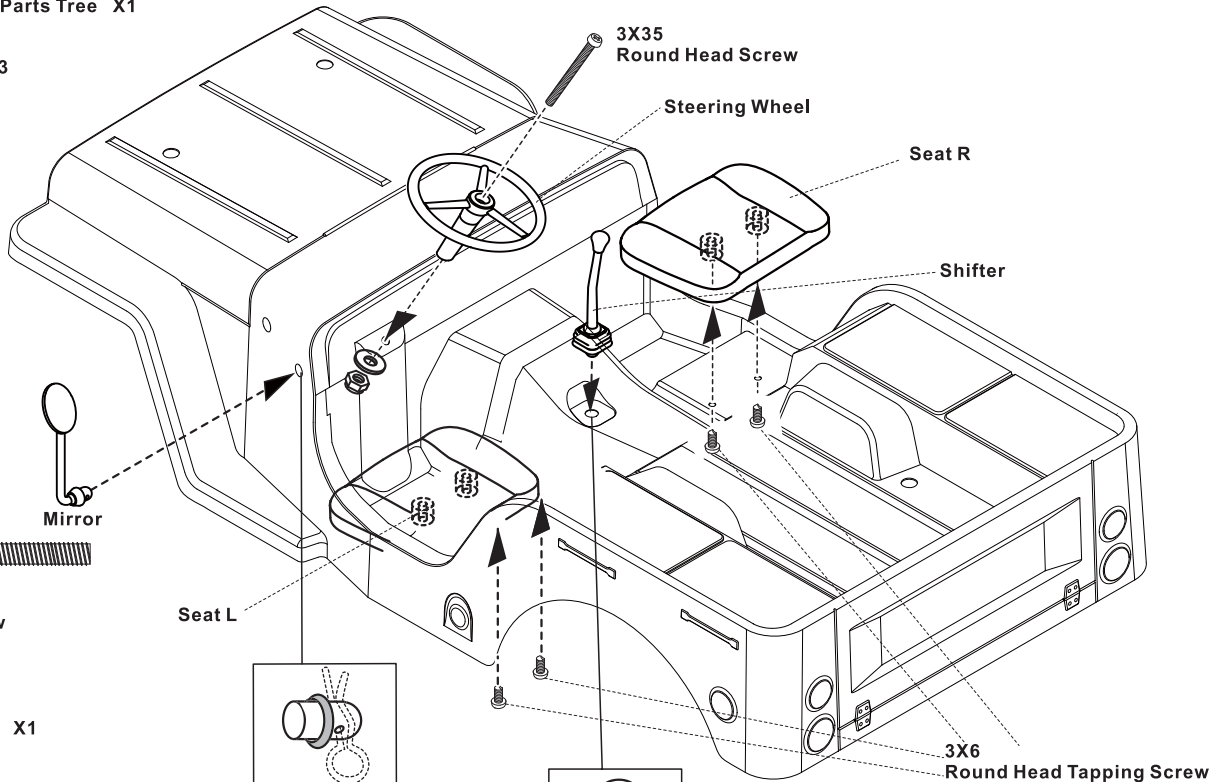
M3 Nylon Lock Nut X1



3mm Washer X1

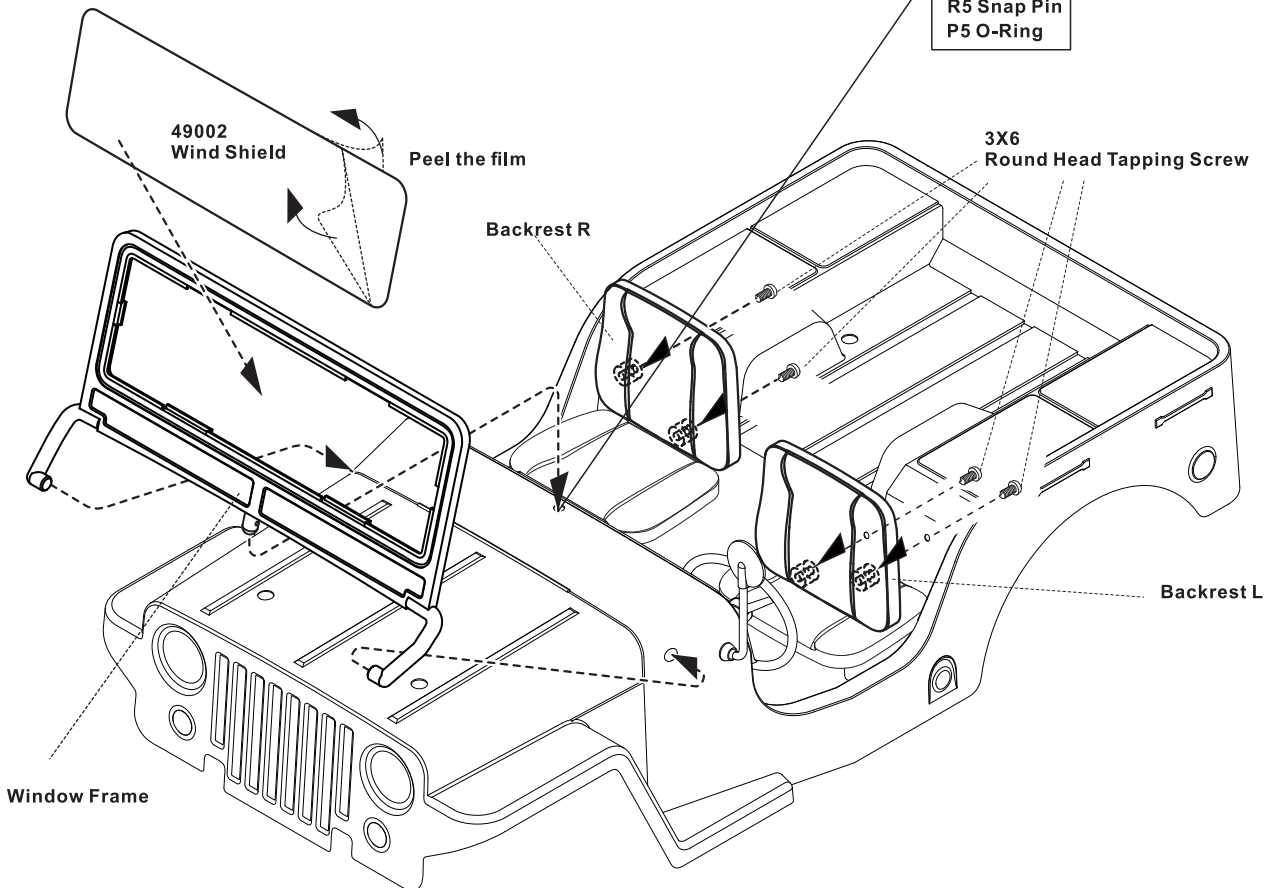


3X6mm X8 Round Head Tapping Screw



49002 Wind Shield

Peel the film



Backrest R

3X6 Round Head Tapping Screw

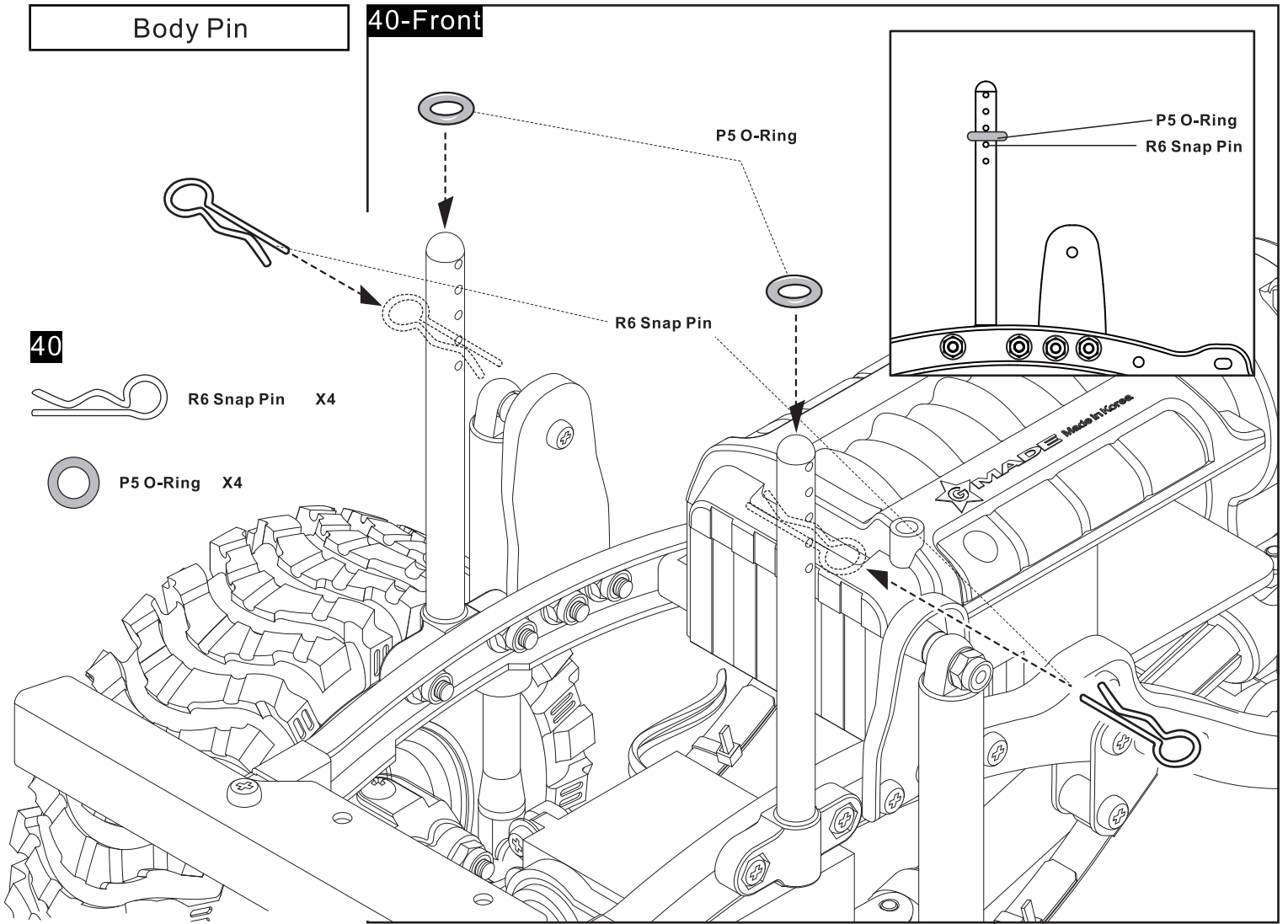
Backrest L

Window Frame

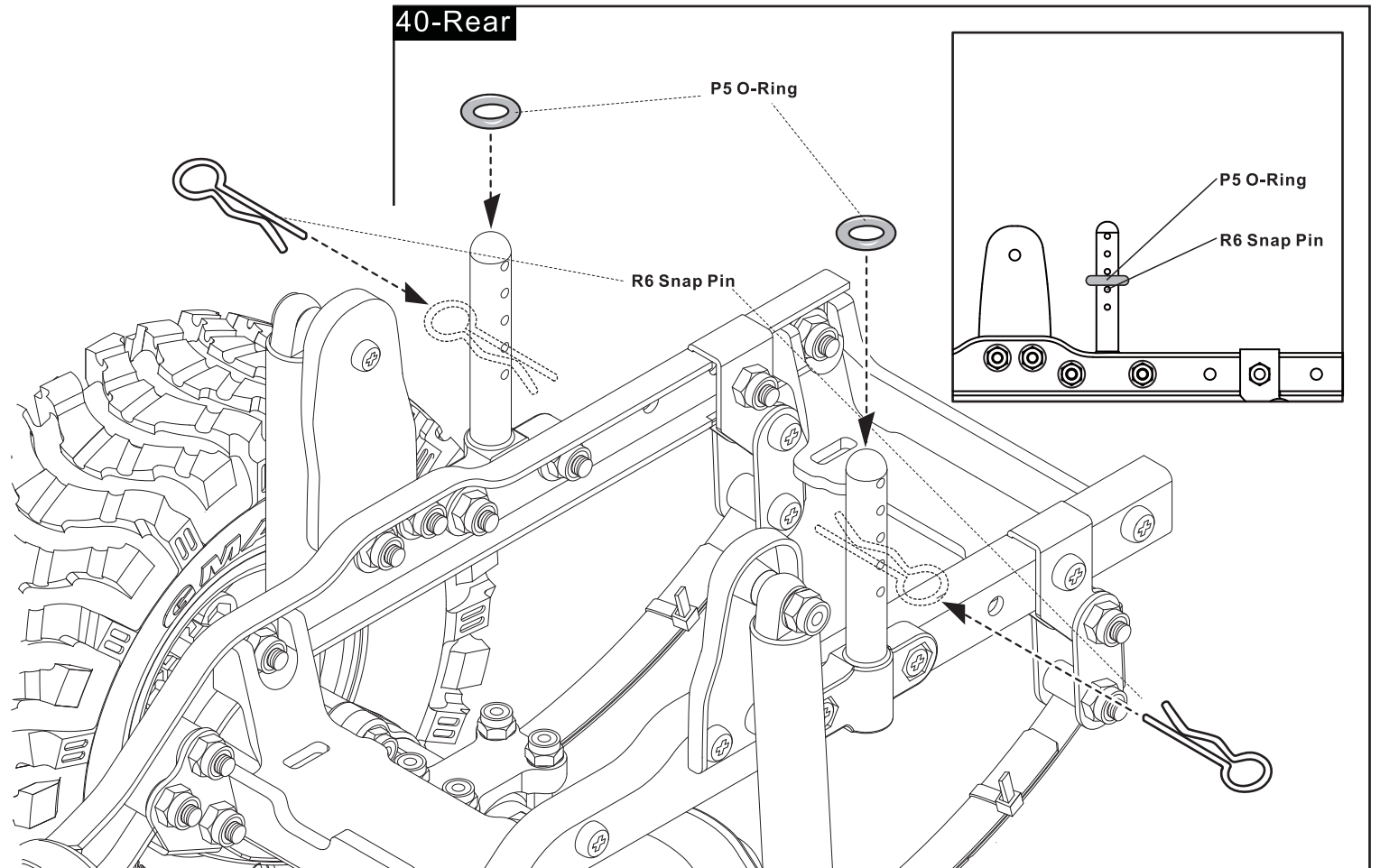


Body Pin

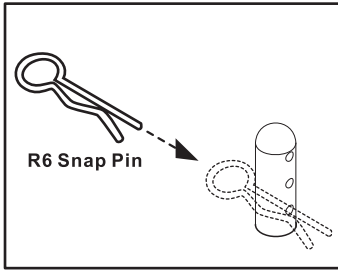
### 40-Front



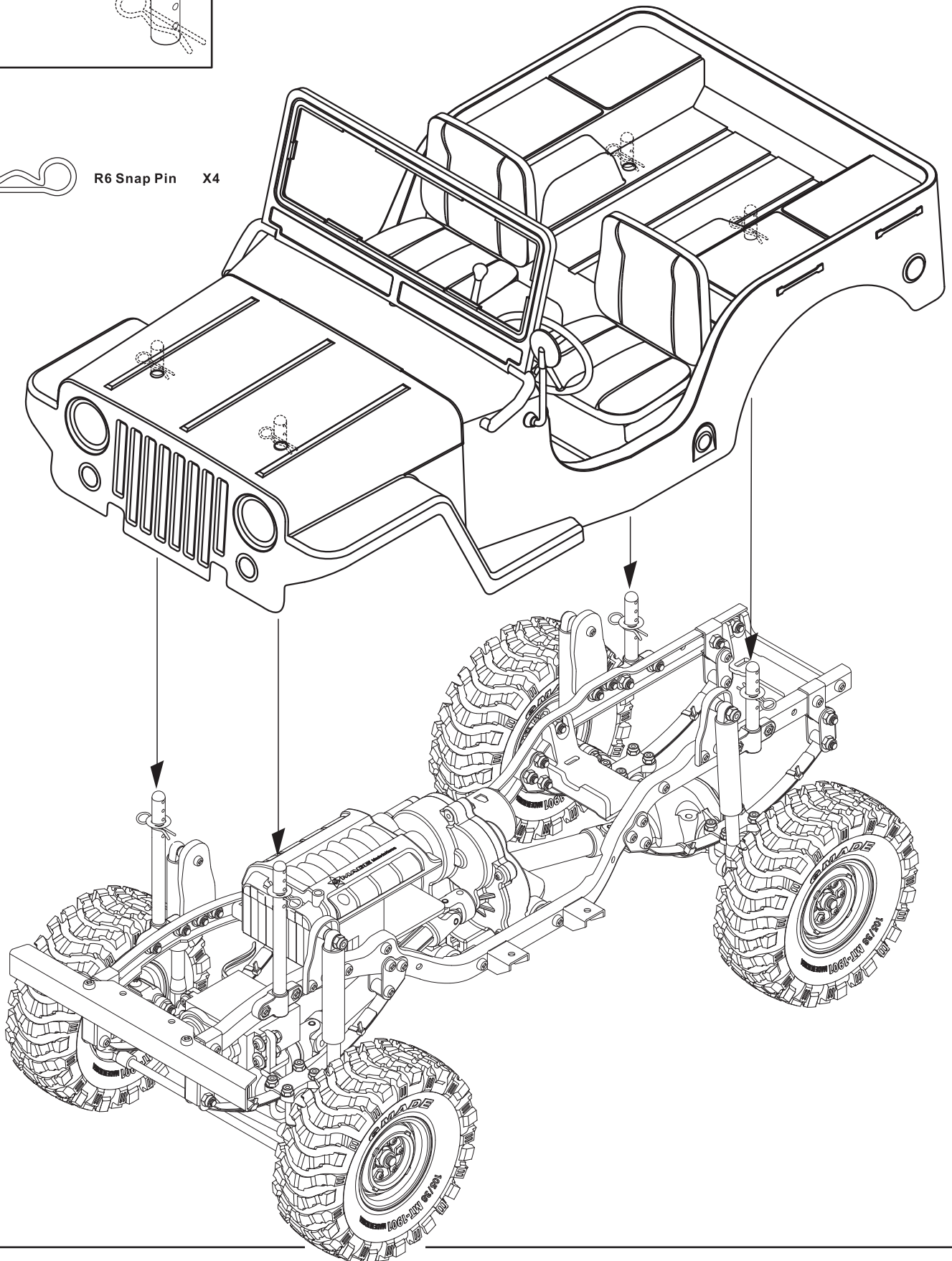
### 40-Rear







R6 Snap Pin X4



## Parts Reference

### 52100

52101 GS01 Axle Housing (X2)  
52102 GS01 Axle Parts Tree (X2)  
51105 Knuckle Arm (X2)  
  
52103 Differential Cover (X2)  
  
52104 32T Bevel Gear (X2)  
52105 14T Bevel Gear (X2)

52108 69mm Drive Shaft (X1)  
52107 64mm Drive Shaft (X1)

52111 97mm Straight Drive Shaft (X1)  
52110 92mm Straight Drive Shaft (X1)  
51117 Wheel Axle Shaft (X2)  
52113 14T Bevel Gear Shaft (X2)

52115 116mm Threaded Shaft (X1)  
52114 64mm Steering Rod (X1)  
20173 6.8mm Rod End Ball (X4)  
20216 M3 6.8mm Rod End (X4)

52117 2.6X6mm Round Head Screw (X8)  
3X10mm Round Head Screw (X4)  
3X12mm Round Head Screw (X8)  
3X16mm Round Head Screw (X1)  
3X20mm Round Head Screw (X1)  
3X25mm Round Head Screw (X3)  
3X30mm Round Head Screw (X2)  
2.5mm E-Ring (X2)  
4mm E-Ring (X2)  
3mm Washer (X4)

51120 3X10mm Step Screw (X4)  
M3 Nut (X1)  
M3 Nylon Lock Nut (X16)

52118 Ball Bearing 1150 (X14)  
Ball Bearing 850 (X4)

51603 Axle Pin (X4)  
51602 M4 Wheel Nut (X4)

### 51200

51201 Transmission Housing Set (X1)  
51202 Motor Plate (X1)  
51203 Pinion Gear Cap (X1)  
51204 39T/15T Counter Gear (X1)  
51205 35T/15T Counter Gear (X1)  
51206 37T Counter Gear (X1)

51207 21mm Counter Gear Shaft (X1)  
23mm Counter Gear Shaft (X1)  
43mm Counter Gear Shaft (X1)

20142 32Pitch 12T Pinion Gear (X1)

51208 3X8mm Round Head Screw (X1)  
3X10mm Round Head Screw (X6)  
3X12mm Round Head Screw (X1)  
3X16mm Round Head Screw (X1)  
3X20mm Round Head Screw (X3)  
3X4mm Socket Set Screw (X1)  
M3 Nut (X10)  
3mm Washer

51209 Ball Bearing 850 (X6)

### 52300

52301 Shackle Bracket (X4)  
52302 Shackle (X4)  
52303 Leaf Spring Hanger (X4)  
52305 Leaf Spring Perch (X4)

52306 Leaf Spring A (X4)  
52307 Leaf Spring B (X4)  
52308 Leaf Spring C (X4)

52312 10cm Cable Tie (X8)

52310 U-Bolt (X8)  
3X12mm Round Head Screw (X4)  
3X16mm Round Head Screw (X20)  
M3 Nylon Lock Nut (X40)

51302 U-Joint (X4)  
51307 Cross Pin (X4)  
3X3mm Socket Set Screw (X4)

51306 3X15 Screw Pin (X4)  
51301 Universal Shaft Set (X2)  
51308 Universal Drive Hub (X4)

### 52400

52401 GS01 Frame Side Rail R (X1)  
52402 GS01 Frame Side Rail L (X1)  
52404 Shock Stay (X4)  
52405 Side Step Bracket (X4)  
52406 SD Front Steel Bumper (X1)  
52407 GS01 Cross Member Parts Tree (X1)

Chassis Skid Plate (X1)  
Front Battery Mount (X1)  
Rear Battery Mount (X1)  
Receiver Box Cover (X1)  
Receiver Box (X1)

50130 25cm Releasable Tie (X2)  
52409 3X8mm Round Head Tapping Screw (X2)  
3X10mm Flat Head Screw (X4)  
3X6mm Round Head Screw (X12)  
3X8mm Round Head Screw (X22)  
3X10mm Round Head Screw (X2)  
3X18mm Round Head Screw (X4)  
3X20mm Round Head Screw (X8)  
3mm Washer (X8)  
M3 Flange Nut (X26)  
M3 Nylon Lock Nut (X20)

### 40020

40020 Sawback Lexan Body (X1)  
49001 Sawback Accessory Parts Tree (X1)

Seat L (X1)  
Seat R (X1)  
Backrest L (X1)  
Backrest R (X1)  
Mirror (X1)  
Shifter (X1)  
Steering Wheel (X1)  
Body Post L (X2)  
Body Post S (X2)  
Windshield (X1)

50116 3X6mm Round Head Tapping Screw (X8)  
3X35mm Round Head Screw (X1)  
3mm Washer (X1)  
R5 Snap Pin (X3)  
P5 O-ring (X7)  
R6 Snap Pin (X8)  
M3 Nylon Lock Nut (X1)

### 23102

0020040 Shock Body (X4)  
0020041 Shock Shaft (X4)  
51512 Shock Grease (X1)  
0020042 Shock End Ball (X8)  
0020043 Shock Spring (X4)  
0020045 C-ring (X4)  
S5 O-ring (X8)

### 70104

Front Half Of Wheel (X4)  
Inner Beadlock Ring (X4)  
Back Half Of Wheel (X4)  
Wheel Inner Foam (X4)  
2.6X10mm Round Head Screw (X24)  
2.6X16mm Round Head Screw (X2)  
M2.6 Nut (X24)

51504 Gear Grease (X1)  
51513 1.5mm L-Wrench (X1)  
51515 Box Wrench (X1)

70164 MT1901 Tire (X4)

49004 Sawback Decal (X1)

Manual (X1)



Sinwol-3dong, 199-5  
GMADE building 1F.  
Yangcheon-gu, Seoul 158-830  
South Korea  
Tel. 02-2696-8170  
Fax. 02-2696-8171