

Quick Start Guide
快速操作指南

FS-i6



感谢您购买我们的产品！欲知更多信息，请浏览以下官方网站：www.flysky-cn.com。如果您在使用中遇到任何问题，请先查阅发射机帮助菜单或使用说明书。如果问题仍未得到解决，请直接联系当地经销商或者联系客服人员：flyskycr@flysky-cn.net

注意事项！

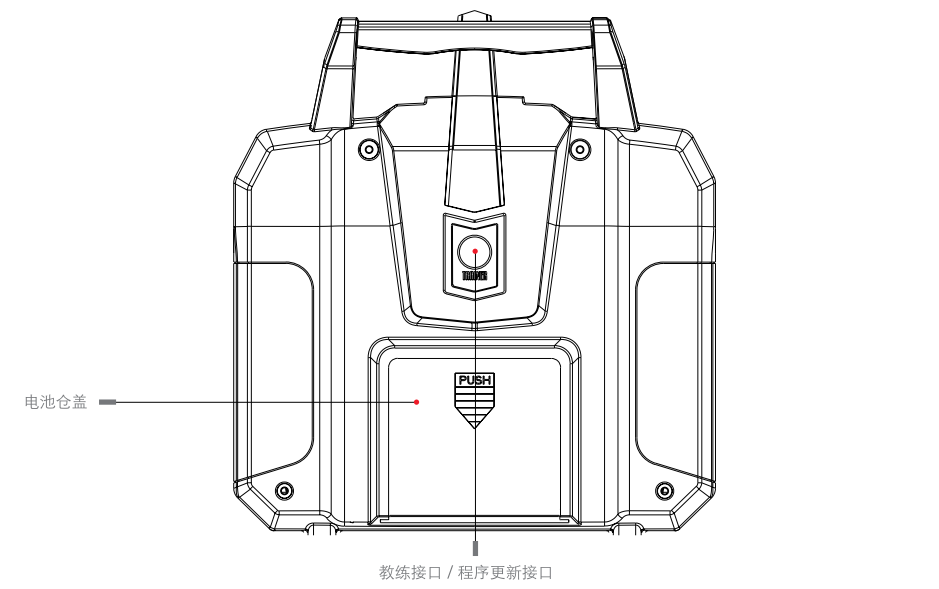
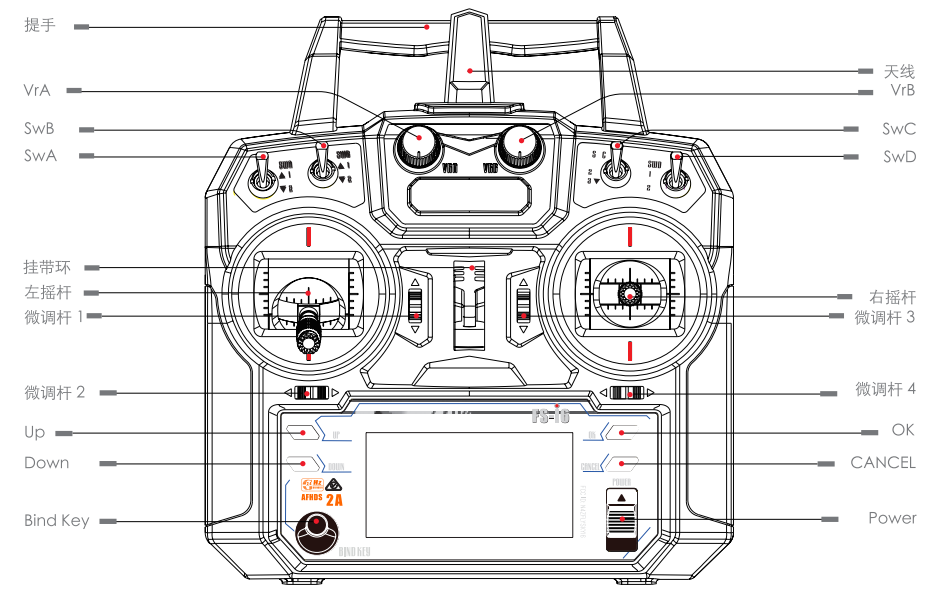
开始操作前请务必阅读以下安全信息！

- 请不要在夜晚或雷雨天气使用本产品，恶劣的天气环境有可能导致遥控设备失灵。
- 请不要在能见度有限的情况下使用本产品。
- 请不要在雨雪或有水的地方使用本产品。如果有液体进入到系统内部，可能会导致运行不稳定或设备失灵。
- 信号干扰可能导致设备失控。为保证您和他人的安全，请不要在以下地点使用本产品：



- 当你感到疲倦、不舒服，或在摄入酒精或吸食导致麻醉或兴奋的药物后，不要操作本产品，否则可能对自己或他人造成严重的伤害。
- 2.4GHz 无线电波段完全不同于之前所使用的低频无线电波段。使用时请确保模型产品在您的视线范围内飞行，大的障碍物将会阻断无线电频率信号从而导致遥控失灵模型失控。
- 在使用过程中，严禁紧握发射机天线，否则将会大大减弱无线电传播信号的质量和强度，导致遥控失灵模型失控。
- 在操作或使用模型后，请勿触摸任何可能发热的部位，如发动机、电机、定速设定等。这些部件可能非常热，容易造成严重的烧伤。
- 遥控设备使用不恰当可能导致操作者或他人严重受伤，甚至死亡。为保证您和设备的安全，请仔细阅读使用说明并按照要求进行操作。
- 使用前必须确保本产品与模型安装正确，否则可能导致模型发生严重损坏。
- 关闭时，请务必先关闭接收机电源，然后关闭发射机。如果关闭发射机电源时接收机仍然在工作，将有可能导致遥控设备失控或者引擎继续工作而引发事故。
- 操控时，请先确认模型所有舵机的动作方向与操控方向一致。如果不一致，请调整好正确的方向。
- 当遥控距离持续较远时，有发生失控的可能。请适当缩短遥控的距离。
- 安装发射机的天线必须提供距离所有人员至少 20 厘米的间隔距离，不能与其他发射机并置或操作。必须将天线安装说明和满足射频信号辐射的发射机操作条件提供给终端用户和安装人员。
- 特此，【Flysky Technology co., Ltd】声明无线电设备【FS-i6】符合 RED2014/53/EU。
- 欧盟 DoC 声明全文可在以下互联网地址：www.flysky-cn.com 获取。

发射机概览



基本操作

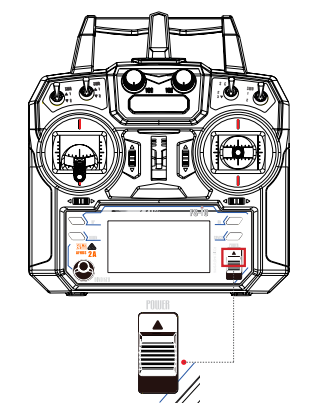
▶ 电池安装

1. 打开电池仓盖。
2. 将 4 个电量充足的 AA 电池装入电池仓内，确保电池上的金属端子与电池仓内的金属端子相接。
3. 盖好电池仓盖。

▶ 开机

请按照以下步骤进行开机：

1. 检查系统状态，确保：
 - 电池有电且安装正确。
 - 接收机未开机且安装正确。
2. 向上拨动“POWER”开关打开发射机。
- 开机时请将开关打到最高位置，并将摇杆打到最低位置。
3. 将电源连接到接收机上的 B/VCC 接口。



▶ 对码

本发射机和接收机在出厂前已对码成功。如果您要使用其他的发射机或接收机，请按照如下步骤进行对码：

1. 将对码线连接到接收机上的 B/VCC 接口。
2. 将电源线连接到接收机上任意其他接口。
3. 打开发射机电源，同事长安发射机“BIND KEY”键，进入对码状态。
 - 如果选择 [AFHDS 2A]，对码成功后，发射机自动退出对码界面。
 - 如果选择其他协议将无法对码。
4. 对码成功后，将对码线和电源从接收机上断开，然后重新将电源线连接到 B/VCC 接口。
5. 检查发射机、接收机、模型是否正常工作。如有异常，重复以上步骤重新对码。



- 此步骤适用于 FS-i6 发射机与 FS-iA6 的接收机对码，如您使用的是其他接收机，请进入官网查询对应接收机的使用说明进行操作。

▶ 关机

1. 断开接收机电源。
2. 将发射机电源开关向下拨动，使发射机关闭。

! 关闭前，请务必先断开接收机电源，然后关闭发射机。如果强行关闭发射机，将有可能导致遥控设备失控或者引擎继续工作而引发事故。

规格参数

通道个数	6 个
频率范围	2.4055-2.475GHz
波段宽度	500KHz
波段个数	140 个
发射功率	<20dBm
2.4G 模式	第二代增强型自动跳频数字系统
调制方式	GFSK
通道分辨率	4096 级
低电压报警	< 4.2 V
数据输出	PS/2 接口 PPM
充电接口	无
天线长度	26mm (双天线)
输入电源	6V DC 1.5AA*4
外形尺寸	174mm x 89mm x 190mm
机身重量	392g
安规认证	CE, FCC ID: N4ZFLYSKYI6

• 更多有关发射机开关，手轮扳机等描述，请参考说明书（2016/8 版本）进行操作。

Thank you for purchasing our product! To find out more about our products, visit our website at www.flysky-cn.com. If you encounter any problems during use, refer to the transmitter's on-board help files or instruction manual first. If the problem persists, contact your local dealer or contact us by email at: flyskyr@flysky-cn.net

Precautions !

Read the safety messages listed below before operation!

- Do not use the product at night or during bad weather conditions, like rain or thunderstorms. It can cause erratic operation or loss of control.
- Do not use the product when visibility is limited.
- Do not expose the product to rain or snow. Any exposure to moisture (water or snow) may cause erratic operation or loss of control.
- Interference may cause loss of control. To ensure the safety of you and others, do not operate in the following places:



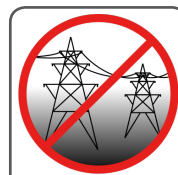
Near any site where other radio control activity may occur



Near people or roads



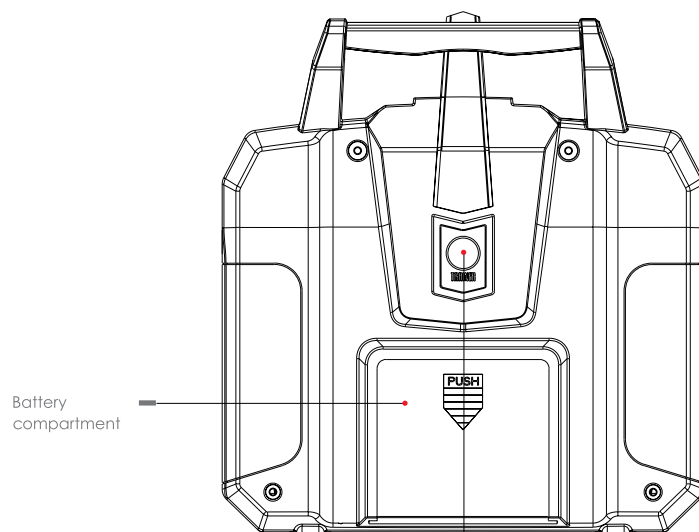
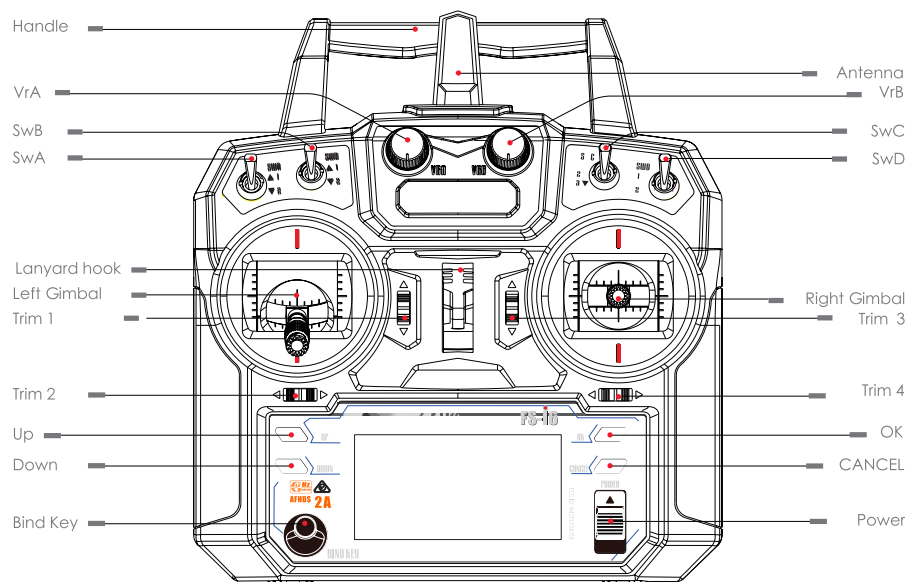
On any pond/lake when passenger boats are present



Near power lines or communication broadcasting antennas

- Do not use this product when you are tired, uncomfortable, or under the influence of alcohol or drugs. Doing so may cause serious injury to yourself or others.
- The 2.4GHz radio band is limited to line of sight. Always keep your model in sight as a large can block the RF signal and lead to loss of control.
- Never grip the transmitter antenna during operation. It significantly degrades signal quality and strength and may cause loss of control.
- Do not touch any part of the model that may generate heat during operation, or immediately after use. The engine, motor or speed control, may be very hot and can cause serious burns.
- Misuse of this product may lead to serious injury or death. To ensure the safety of you and your equipment, read this manual and follow the instructions carefully.
- Make sure the product is properly installed in your model. Failure to do so may result in serious injury.
- Make sure that the receiver's battery is disconnected before turning off the transmitter. Failure to do so may lead to unintended operation and cause an accident.
- Ensure that all motors operate in the correct direction. If not, adjust the direction first.
- Make sure that the model stays within range in order to prevent loss of control.
- The antenna(s) used for this transmitter must be installed to provide a separation distance of at least 20 cm from all persons and must not be co-located or operating in conjunction with any other transmitter. End-users and installers must be provided with antenna installation instructions and transmitter operating conditions for satisfying RF exposure compliance.
- Hereby, [Flysky Technology co., Ltd] declares that the Radio Equipment [FS-i6] is in compliance with RED 2014/53/EU.
- The full text of the EU DoC is available at the following internet address: www.flysky-cn.com

Transmitter Overview



- For more information on transmitter please refer to the products user manual (2016/08).

Basic Operations

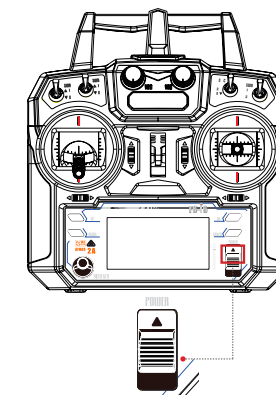
▶ Install the Battery

- Remove the battery compartment cover.
- Insert 4 fully-charged AA batteries into the compartment. Make sure that the batteries make good contact with the battery compartments' contacts, with the correct polarity.
- Replace the battery compartment cover.

▶ Power on

Follow the steps below to turn on the system:

- check the system and make sure that:
 - The batteries are fully charged and installed properly.
 - The receiver is off and correctly installed.
 - Make sure the throttle is at its lowest position.
- Hold the "POWER" switch until screen lights up.
- Connect the receiver power supply to the B/ VCC port on the receiver.



▶ Binding

The transmitter and receiver have been pre-bound before delivery. If you are using another transmitter or receiver, follow the steps below to bind the transmitter and receiver:

- Connect the supplied bind cable to the B/VCC port on the receiver.
- Insert power into any other port.
- Hold the "BIND KEY" while powering on the transmitter to enter bind mode.
- Remove the power and bind cable from the receiver. Then connect the power cable to the B/ VCC port.
- Check the servo's operation. If anything does not work as expected, restart this procedure from the beginning



- This binding information only applies to the FS-i6 and the FS-IA6 receiver, different receivers may require a different procedure to complete the binding process. Please visit the official FLYSKY website for the latest information on compatible receivers and their respective usermanuals.

▶ Power Off

- Disconnect the receiver power.
- Hold the transmitter's power buttons to turn off the transmitter.

- Make sure to disconnect the receiver's power before turning off the transmitter. If the receiver is still on, the system will prompt "Turn off the receiver". If you turn off the transmitter forcefully (by removing the battery), it may lead to unintended operation and cause an accident.

Specifications

Channels	6
RF range	2.4055 - 2.475 GHz
Bandwidth	500 KHz
RF channel	140
RF power	Less than 20 dBm
2.4GHz system	AFHDS 2A
Modulation type	GFSK
Stick resolution	4096
Low voltage alarm	Less than 4.2 V
PS2/USB Port	PS/2 Port PPM
Power input	None
Antenna length	26mm (Dual Antenna)
Size (Length x Width x Height)	174mm x 89mm x 190mm
Battery Power	6V DC 1.5AA*4
Weight	392g
Certificate	CE, FCC ID: N4ZFLYSKYI6