

Quick Start Guide  
快速操作指南**FS-GT2B**

感谢您购买我们的产品！欲知更多信息，请浏览以下官方网站：[www.flysky-cn.com](http://www.flysky-cn.com)。如果您在使用中遇到任何问题，请先查阅发射机帮助菜单或使用说明书。如果问题仍未得到解决，请直接联系当地经销商或者联系客服人员：[flyskycr@flysky-cn.net](mailto:flyskycr@flysky-cn.net)

**注意事项！**

开始操作前请务必阅读以下安全信息！

- 请不要在夜晚或雷雨天气使用本产品，恶劣的天气环境有可能导致遥控设备失灵。
- 请不要在能见度有限的情况下使用本产品。
- 请不要在雨雪或有水的地方使用本产品。如果有液体进入到系统内部，可能会导致运行不稳定或设备失灵。
- 信号干扰可能导致设备失控。为保证您和他人的安全，请不要在以下地点使用本产品：



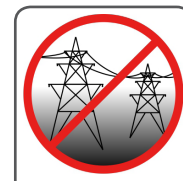
基站附近或其他无线电话活跃的地方



人多的地方或道路附近

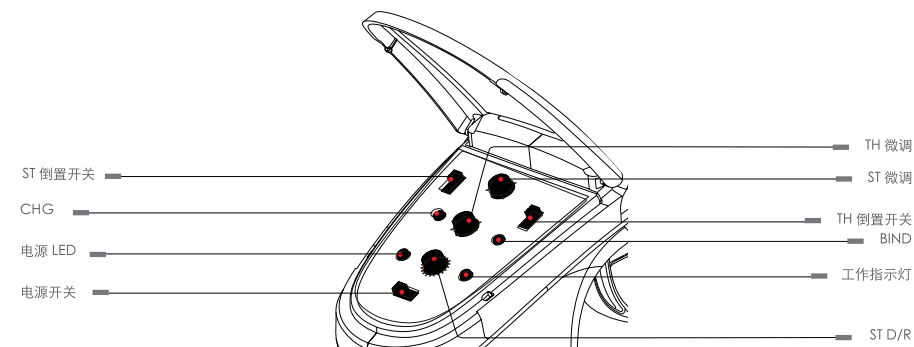
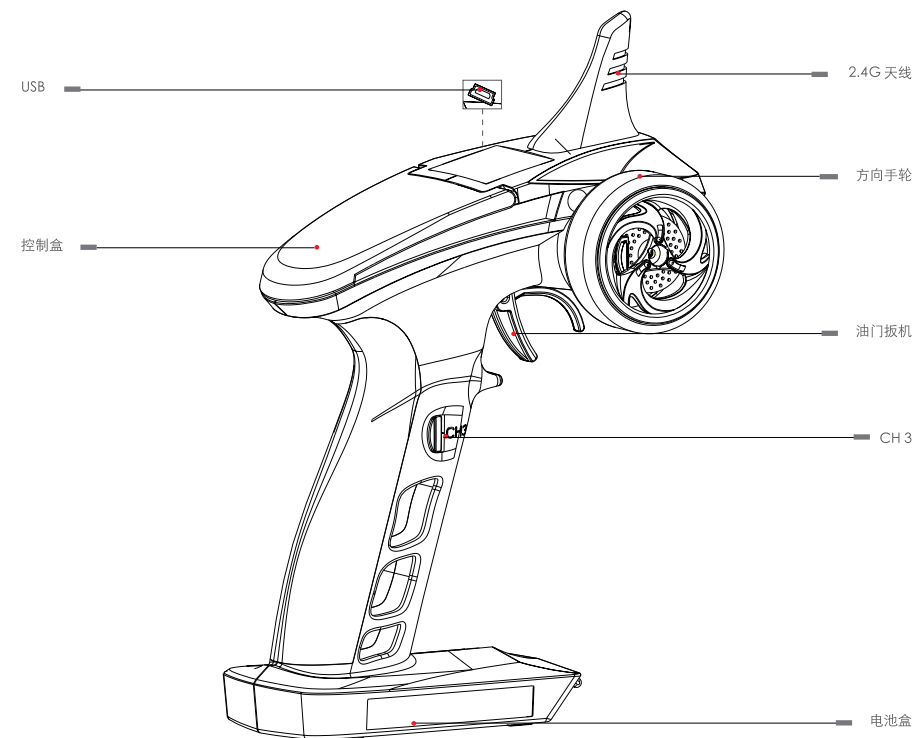


有客船的水域



高压电线或通信广播天线附近

- 当你感到疲倦、不舒服，或在摄入酒精或吸食导致麻醉或兴奋的药物后，不要操作本产品，否则可能对自己或他人造成严重的伤害。
- 2.4GHz 无线电波段完全不同于之前所使用的低频无线电波段。使用时请确保模型产品在您的视线范围内飞行，大的障碍物将会阻断无线电频率信号从而导致遥控失灵模型失控。
- 在使用过程中，严禁紧握发射机天线，否则将会大大减弱无线电传播信号的质量和强度，导致遥控失灵模型失控。
- 在操作或使用模型后，请勿触摸任何可能发热的部位，如发动机、电机、定速设定等。这些部件可能非常热，容易造成严重的烧伤。
- 遥控设备使用不恰当可能导致操作者或他人严重受伤，甚至死亡。为保证您和设备的安全，请仔细阅读使用说明书并按照要求进行操作。
- 使用前必须确保本产品与模型安装正确，否则可能导致模型发生严重损坏。
- 关闭时，请务必先关闭接收机电源，然后关闭发射机。如果关闭发射机电源时接收机仍然在工作，将有可能导致遥控设备失控或者引擎继续工作而引发事故。
- 操控时，请先确认模型所有舵机的动作方向与操控方向一致。如果不一致，请调整好正确的方向。
- 当遥控距离持续较远时，有发生失控的可能。请适当缩短遥控的距离。
- 安装发射机的天线必须提供距离所有人员至少 20 厘米的间隔距离，不能与其他发射机并置或操作。必须将天线安装说明和满足射频信号辐射的发射机操作条件提供给终端用户和安装人员。
- 特此，【Flysky Technology co., Ltd】声明无线电设备【FS-GT2B】符合 RED2014/53/EU。
- 欧盟 DoC 声明全文可在以下互联网地址：[www.flysky-cn.com](http://www.flysky-cn.com) 获取。

**发射机概览****基本操作****▶ 电池安装**

- 打开电池仓盖。
- 将 4 个电量充足的 AA 电池装入电池仓内，确保电池上的金属端子与电池仓内的金属端子相接。
- 盖好电池仓盖。

**▶ 开机**

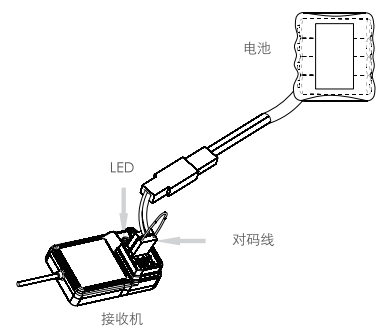
请按照以下步骤进行开机：

- 正确连接各配件：
  - 电池有电且安装正确。
  - 接收机未开机且安装正确。
- 打开发射机。
- 接通接收机电源，接收机 LED 灯常亮。
- 开机完成。

**▶ 对码**

本发射机和接收机在出厂前已对码成功。如果您要使用其他的发射机或接收机，请按照如下步骤进行对码：

- 2.4G 发射机安装电池，并且关闭发射机。
- 将对码线插入接收机的“BIND/CH3”接口。
- 将电源线连接到接收机 VCC 接口，同时接收机 LED 灯闪烁，表示接收机进入对码状态。
- 长按发射机对码键（大约 5s），然后打开发射机电源开关。
  - 观察接收机上 LED 灯，如果 LED 灯常亮表示对码成功。
- 松开发射机对码键，取出对码线，并且插入伺服器测试。
- 如果测试失败，请重复以上步骤；如果测试成功，配对完成。



- 此步骤适用于 FS-GT2B 发射机与 FS-GR3E 的接收机对码，如您使用的是其他接收机，请进入官网查询对应接收机的使用说明书进行操作。

**▶ 关机**

- 断开接收机电源。
- 关闭发射机。

- ❗ 关闭前，请务必先断开接收机电源，然后关闭发射机。如果强行关闭发射机，将有可能导致遥控设备失控或者引擎继续工作而引发事故。

**规格参数**

通道个数	3 个
频率范围	2.4055-2.475GHz
波段宽度	500KHz
发射功率	140 个
2.4G 模式	<20dBm
调制方式	第一代增强型自动跳频数字系统
通道分辨率	GFSK
低电压报警	1024 级
数据输出	< 3.5V
充电接口	Micro-USB PPM
天线长度	有
输入电源	26mm
外形尺寸	3.7V
机身重量	158mm x 94mm x 233mm
安规认证	262g
	CE, FCC ID: N4ZFLYSKYGT2B



Thank you for purchasing our product! To find out more about our products, visit our website at [www.flysky-cn.com](http://www.flysky-cn.com). If you encounter any problems during use, refer to the transmitter's on-board help files or instruction manual first. If the problem persists, contact your local dealer or contact us by email at: [flyskyrcc@flysky-cn.net](mailto:flyskyrcc@flysky-cn.net)

### Precautions !

Read the safety messages listed below before operation!

- Do not use the product at night or during bad weather conditions, like rain or thunderstorms. It can cause erratic operation or loss of control.
- Do not use the product when visibility is limited.
- Do not expose the product to rain or snow. Any exposure to moisture (water or snow) may cause erratic operation or loss of control.
- Interference may cause loss of control. To ensure the safety of you and others, do not operate in the following places:



Near any site where other radio control activity may occur



Near people or roads



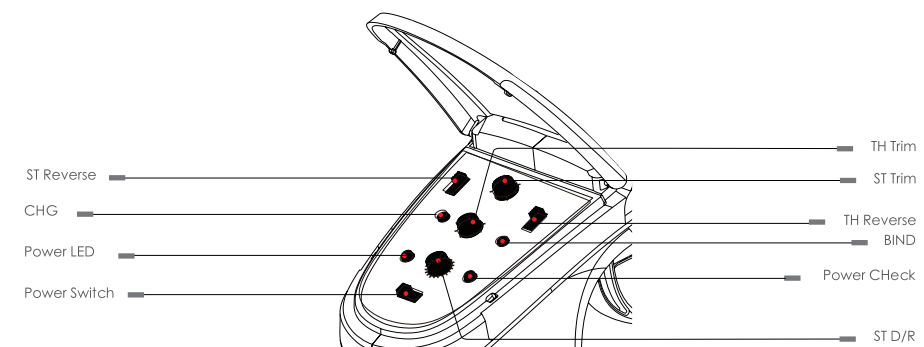
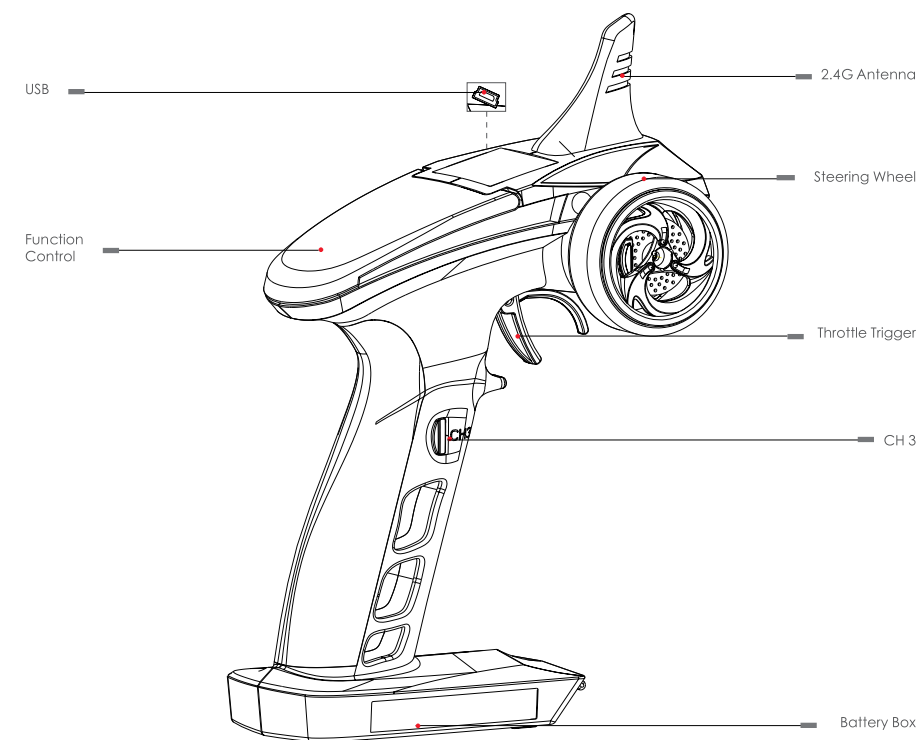
On any pond/lake when passenger boats are present



Near power lines or communication broadcasting antennas

- Do not use this product when you are tired, uncomfortable, or under the influence of alcohol or drugs. Doing so may cause serious injury to yourself or others.
- The 2.4GHz radio band is limited to line of sight. Always keep your model in sight as a large can block the RF signal and lead to loss of control.
- Never grip the transmitter antenna during operation. It significantly degrades signal quality and strength and may cause loss of control.
- Do not touch any part of the model that may generate heat during operation, or immediately after use. The engine, motor or speed control, may be very hot and can cause serious burns.
- Misuse of this product may lead to serious injury or death. To ensure the safety of you and your equipment, read this manual and follow the instructions carefully.
- Make sure the product is properly installed in your model. Failure to do so may result in serious injury.
- Make sure that the receiver's battery is disconnected before turning off the transmitter. Failure to do so may lead to unintended operation and cause an accident.
- Ensure that all motors operate in the correct direction. If not, adjust the direction first.
- Make sure that the model stays within range in order to prevent loss of control.
- The antenna(s) used for this transmitter must be installed to provide a separation distance of at least 20 cm from all persons and must not be co-located or operating in conjunction with any other transmitter. End-users and installers must be provided with antenna installation instructions and transmitter operating conditions for satisfying RF exposure compliance.
- Hereby, [Flysky Technology co., Ltd] declares that the Radio Equipment [FS-GT2B] is in compliance with RED 2014/53/EU.
- The full text of the EU DoC is available at the following internet address: [www.flysky-cn.com](http://www.flysky-cn.com)

### Transmitter Overview



### Basic Operations

#### ▶ Install the Battery

- Remove the battery compartment cover.
- Insert 4 fully-charged AA batteries into the compartment. Make sure that the batteries make good contact with the battery compartments' contacts, with the correct polarity.
- Replace the battery compartment cover.

#### ▶ Power On

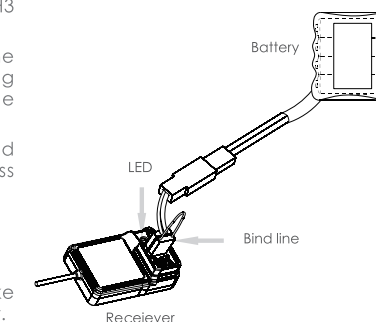
Please follow the following steps:

- Make sure that the receiver is powered off, correctly installed and the battery is fully charged.
- Toggle the transmitter's power switch to its on position.
- Connect the receivers' power supply.

#### ▶ Binding

The transmitter and receiver have been pre-bound before delivery. If you are using another transmitter or receiver, follow the steps below to bind the transmitter and receiver:

- Install the battery to 2.4G transmitter and shut it down.
- Insert the matching lines to the channel BIND/CH3 port of the receiver.
- Connect the receiver battery to VCC port of the receiver, on the same time the LED are flashing and this means the receiver are going to the matching status.
- Press and hold the button on the transmitter, and then switch on the power supply. (This process about 5s.)
- Observe the LED on the receiver, if find that the LED is not flash anymore and that means successful match.
- Release the match button on the transmitter, take out the match line. Install the server and then test.
- If the tests fail, please repeat the action above. If the tests success, match complete.



- This binding information only applies to the FS-GT2B and the FS-GR3E receiver, different receivers may require a different procedure to complete the binding process. Please visit the official FLYSKY website for the latest information on compatible receivers and their respective usermanuals.

#### ▶ Power Off

- Disconnect the receiver power.
- Hold the transmitter's power buttons to turn off the transmitter.

Make sure to disconnect the receiver's power before turning off the transmitter. If you turn off the transmitter forcefully (by removing the battery), it may lead to unintended operation and cause an accident.

### Specifications

Channels	3
RF range	2.4055 - 2.475 GHz
Bandwidth	500 KHz
RF channel	140
RF power	Less than 20 dBm
2.4GHz system	AFHDS
Modulation type	GFSK
Stick resolution	1024
Low voltage alarm	Less than 3.5V
PS2/USB Port	Micro-USB PPM
Power input	Yes
Antenna length	26mm
Size (Length x Width x Height)	158*94*233mm
Weight	262g
Certificate	CE, FCC ID: N4ZFLYSKYGT2B



### Digital Proportional Radio Control System

CE FCC ID: N4ZFLYSKYGT2B

[Http://www.flysky-cn.com](http://www.flysky-cn.com)

Copyright © 2017 Flysky Technology co., Ltd

Release date: 2017-08-07