



DIMENSION

SCALE : 1/8
 HEIGHT : 180mm
 FRONT TYRE : Ø85mm x 35mm (width)
 REAR TYRE : Ø85mm x 40mm (width)
 LENGTH : 520mm
 WIDTH : 231mm
 WHEELBASE : 280mm

**CAR BATTERY
 NOT INCLUDED**

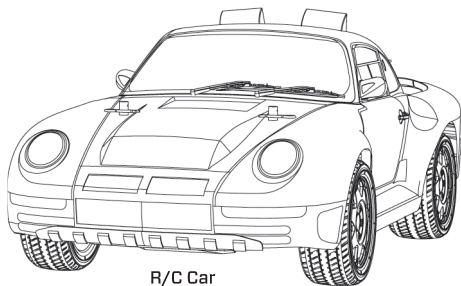
M485 Porsche 959

8th scale 4WD chassis

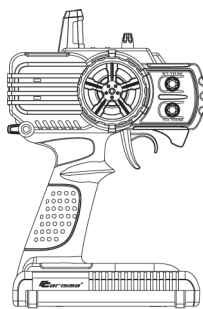
INSTRUCTION MANUAL



WHAT'S IN THE BOX



R/C Car



Transmitter



XT60 Connector



Hex Wrench



4 x AA Batteries



Wrench

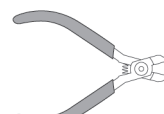
TOOLS RECOMMENDED (NOT INCLUDED)



Long Nose Pliers



Screwdriver
(Small)



Nippers



Screwdriver
(Large)



Soft Brush



Hex Driver

SAFETY PRECAUTIONS

SAFETY PRECAUTIONS

THIS MODEL IS ONLY SUITABLE FOR PEOPLE 14 YEARS OLD AND UP.

THIS RADIO CONTROL MODEL IS NOT A TOY.

Beginner should seek advice from experienced person in order to assemble the model or parts correctly and to make best performance.

* Assemble this model or parts only in place out of children's reach, and take safe precautions before operating this model. User is fully responsible for the model assembly and safe operations.

Introduction

This is a sophisticated hobby product and not a toy. It must be operated with caution and common sense. User also requires some basic mechanical abilities. Fail to operate this product in a safe and responsible manner could result in injury or do damage to the product or other properties. This product is not intended for use by children without direct adult supervision. The product manual contains instructions for safe operation and maintenance. It is essential to read and follow all the instructions and warnings in the manual prior to assembly, setup or use, in order to operate correctly and avoid damage or injury.

Safety, Precautions, and Warnings

As the user of this product, you are solely responsible for operating it in a manner that does not endanger yourself and others or result in damage to the product or the property of others.

This model is controlled by a radio signal that is subject to interference from many sources outside your control. This interference can cause momentary loss of control so it is necessary to always keep a safe distance in all directions around your model, as this will help to avoid collisions or injury.

- Always operate your model in an open area away from cars, traffic, or people.
- Avoid operating your model on the street where injury or damage can occur.
- Never operate the model out into the street or populated areas for any reason.
- Never operate your model with low transmitter batteries.
- Carefully follow the directions and warnings for this product and any optional support equipments (chargers, rechargeable battery packs, etc.) that you use.
- Keep all chemicals, small parts and anything electrical out of the reach of children.
- Moisture causes damage to electronics. Avoid water exposure to all equipments not specifically designed and protected for this purpose.

CE Compliance Information For The European Union

The associated regulatory agencies of the following countries recognize the noted certifications for this product as authorized for sale and use.

| | | | | | | | | | | | | |
|-----------|-----------|-----------|-----------|-----------|-----------|-----------|-----------|-----------|-----------|-----------|-----------|-----------|
| UK | DE | DK | BG | SE | CZ | ES | NL | SK | HU | RO | FR | PT |
| FI | EE | LV | LT | PL | AT | CY | SI | GR | MT | IT | IE | LU |

Declaration of Conformity

Products: Carisma CTX-2710 2.4GHz Transmitter, MRX2800 Receiver

Equipment Class: 2

The objects of declaration described above are in conformity with the requirements of the specifications listed below.

Item Name : Carisma CTX-2710 2.4GHz Transmitter and MRX2800 Receiver

ETSI EN 300 328 V1.7.1:2006

ETSI EN 301 489-1 V1.8.1:2008

EN 301 489-17 V2.1.1:2009

EN 50371:2002

Directive 1999/5/EC (R&TTE)

Article 3.1a Health

Article 3.1b EMC

Article 3.2 Radio Spectrum

FCC ID YDTMTM27HP

Statement - This device complies with Part 15 of the FCC Rules.

Operation is subject to the following two conditions:

(1) this device may not cause harmful interference, and

(2) this device must accept any interference received, including interference that may cause undesired operation.

Changes or modifications not expressly approved by the party responsible for compliance could void the user's authority to operate the equipment.

RF Exposure Warning:

This equipment complies with FCC radiation exposure limits set forth for an uncontrolled environment.

And should be operated with minimum distance of 20 cm between the antenna & your body.



Item Name : MSC-540F6WP Electronic Speed Controller

EN 61000-6-3: 2007+A1:2011

EN 61000-6-1: 2007

Item Name : MS-113WP Servo

EN 55014-1:2006+A1:2009

EN 55014-2:1997+A1:2001+A2:2008

Manufactured By : Mun Ah Plastic Electronic Toys Company.,Ltd

ABOUT THE RADIO SYSTEM

Carisma CTX-2710 2.4GHz FHSS Technology System

The following is an overview of the various functions and adjustments found on CTX-2710 radio system for Carisma models. It is important to read and understand about all of these functions and adjustments before driving.

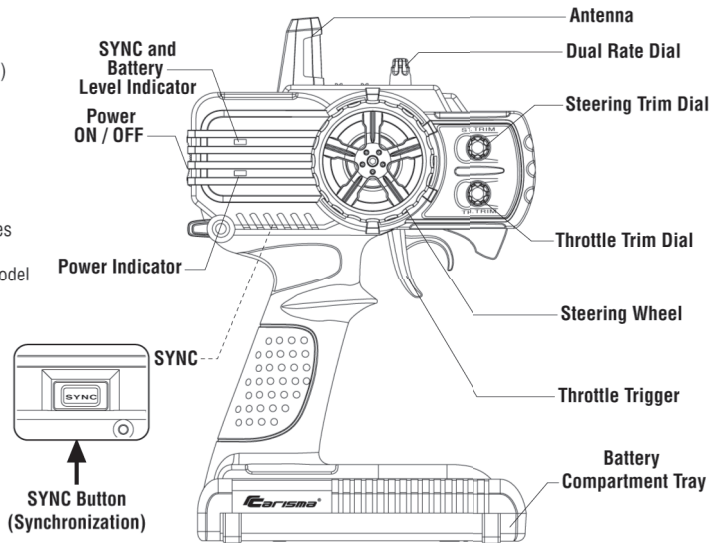
Function

The Transmitter CTX-2710

- Steering Wheel :** Control direction (Left / Right) of the RC model.
- Throttle Trigger :** Control speed and direction (Forward/Brake/Backward) of the driving model.
- Antenna :** Transmit signal to the model.
- Power ON / OFF :** Power ON / OFF the transmitter
- SYNC & Battery Indicator :** Top Green LED light indicates synchronization status and/or adequate battery power supply.
- Power Indicator :** Bottom Red LED light indicates power "ON".
- Dual Rate Dial :** Adjust the same maximum steering angle on both sides when model turns Left / Right
- ST. Trim Dial :** Adjust the neutral position of steering servo when model wheels are straight ahead.
- TH. Trim Dial :** Make sure the model stays still when releasing the throttle trigger.

Battery Compartment Tray : Cover and hold the batteries powering the transmitter.

* In general, user will experience under steer when making a wide turn at high speed or over steer when making sharp turn at high speed (easy to spin out). User should practice the throttle and steering approach for different cornering at different speed or road surface.



CTX-2710

Battery Installation

Supplied with 4 x 1.5V AA Batteries, CTX-2710 can be operated a few hours. Installation: Remove the battery compartment cover as shown below.

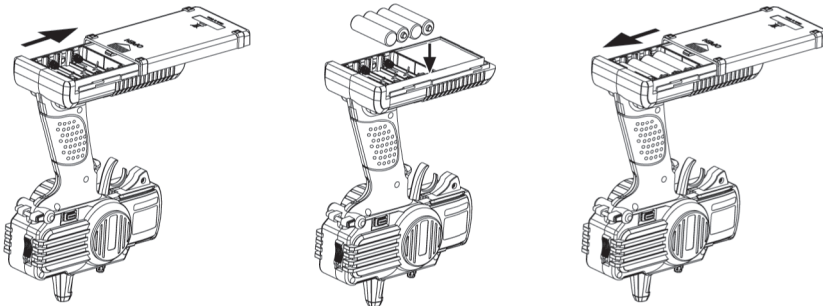
Install the batteries observing the polarity marked on battery compartment.

Then reinstall the battery compartment cover as the Picture shown below.

Warning : Never disassemble batteries or put the batteries in fire, chemical agents, otherwise they may cause personal injuries or property damages.

Battery Disposal : Observe corresponding regulations about wasted battery treatment regulations.

1. After running out of power, dispose of wasted batteries in designated areas far away from water supply, household areas and planted areas.
2. Submit the wasted batteries to specific recycling stations.

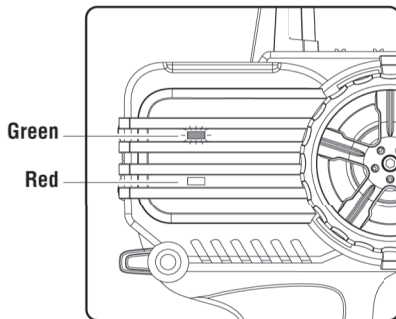


Battery LED Indicator

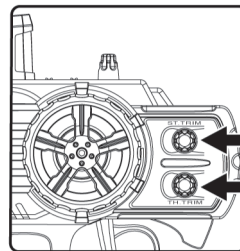
The Green LED indicator located on the front left side of the transmitter indicates the power supply of batteries. The green LED will go solid on indicating that the batteries have sufficient power. When batteries voltage drops below 4 volts, the Green LED will flash, indicating the batteries power is low and should be replaced.

Solid Green :
Sufficient Power supply

Flashing :
Time to replace batteries



Pre-Run Check

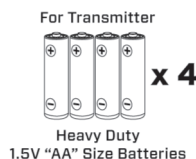


1. **Steering :** Adjust the steering trim to keep the front wheels in straight line when steering wheel remains in NEUTRAL position.
2. **Throttle :** Adjust the throttle trim to ensure the rear wheels stop rotating when throttle trigger remains in NEUTRAL position.

* Always turn on the transmitter first by sliding the switch on the left side from bottom to top. The small red and green lights above the switch should both light up. If not, you need to check for low or incorrectly installed batteries.

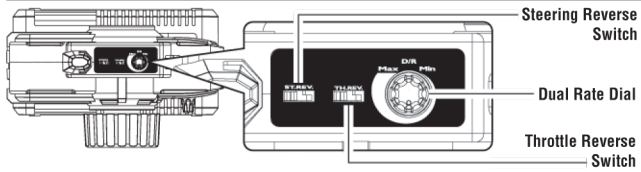
Instructions for Disposal of WEEE by Users in the European Union

This product must never be thrown away with other waste. Thus the users are liable for disposing the wasted model by submitting them to designated collection stations specific for recycling electronic and electric items. Disposing of the wasted model in this way is helpful to conserve natural resources and enable to keep human health and protect the environment. For more information about wasted model disposal and recycling, please contact your local city office, your disposal service or where you purchased the product.



ABOUT THE RADIO SYSTEM

Top Control Panel



Reversing

Reversing is used to change the response direction of steering wheel and throttle trigger. CTX-2710 Transmitter features 2 reversing functions: Steering Reverse and Throttle Reverse.

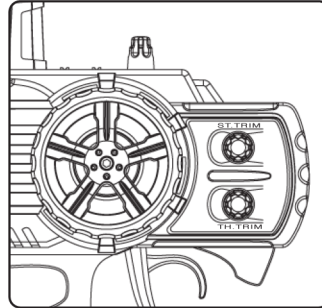
Steering Reverse: Reverse the response direction when operating steering wheel. Turning left steering wheel, the model turns right while turning right the model turns left.

Throttle Reverse: Reverse the response direction when operating throttle trigger. Pushing forward throttle trigger the model moves backward while pulling back, the model moves forward. If necessary you can just use a small screwdriver to adjust the or responding switches.

Dual Rate Dial

Dual Rate Dial enables to adjust the same maximum steering angle of servo on both sides (Left and Right) when model makes steering. The Dual Rate Dial affects the sensitivity of servo. Reducing dual rate value can lower the sensitivity of servo and reduce the same maximum steering angle on both sides. Remember to adjust the dual rate value within the adjustment range.

Trimming



CTX-2710 features two trimming functions: Steering Trim and Throttle Trim.

Steering Trim Dial :

Adjust the neutral position of steering servo when the wheels are straight ahead. Normally steering trim is adjusted until the model can keep straight tracks.

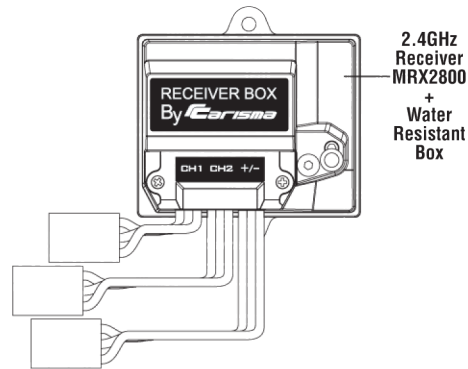
Throttle Trim Dial :

Adjust neutral position of throttle servo. Make sure the model stays still when releasing the throttle trigger.

RECEIVER CONNECTION AND INSTALLATION

Carisma 2.4GHz Receiver MRX2800 + Water Resistant Box

This product comes with the Transmitter and the Receiver Pre-Binded for immediate operation. In the event that you need to Re-Bind the Transmitter and Receiver. Please follow this procedure to access the Receiver Bind button from the Water Resistant Housing.



CH1 - Steering Port : Where to plug in the servo.

CH2 - Throttle Port : Where to plug in the Electronic Speed Controller (ESC).

+/- - Auxiliary Port (Reserved)

WARNING :

- Never bend the metal pins on the PCB of receiver.
- Never cut the antenna cable.
- Install the antenna vertically as shown in the figure.
- Keep the antenna as far away from the motor, ESC and other noise sources as you possibly can.

TIPS :

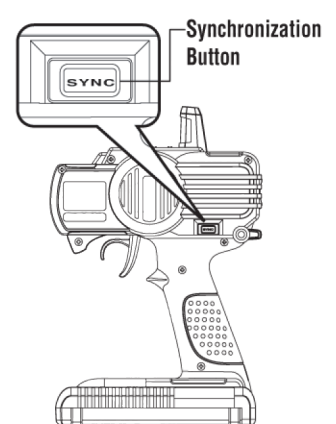
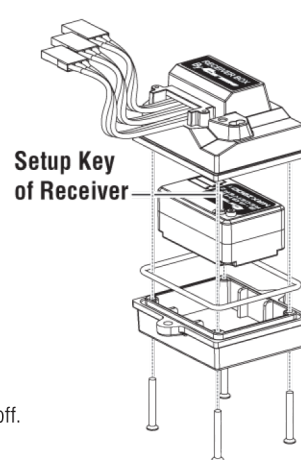
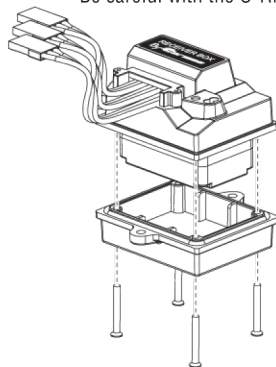
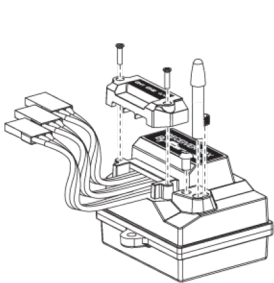
- Wrap the receiver with something soft, such as foam rubber, to avoid vibration. If there is a chance of getting wet, put the receiver in a waterproof bag or balloon.

Synchronization & Frame Rate Adjust

STEP 1 : Remove the connecting wires bracket

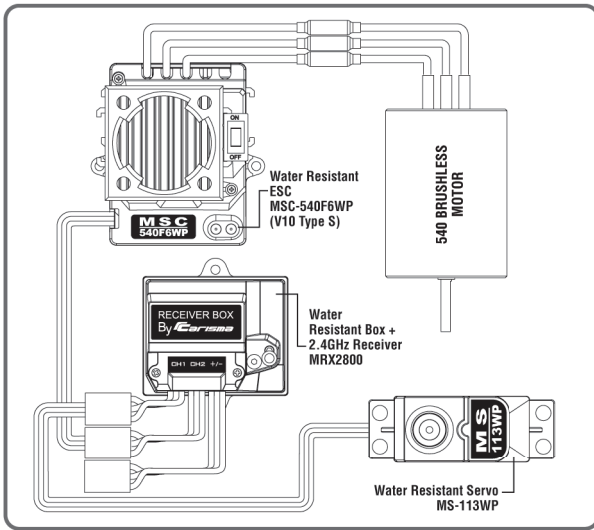
STEP 2 : Separate the housing by removing the mounting screws. Be careful with the O-Ring Seal

STEP 3 : Proceed the binding procedures as described below



1. Release the screw and open the water box.
2. Prior to any operation make sure the transmitter and receiver are both turned off.
3. Press and hold the setup button on the receiver while power on the receiver.
4. Release the setup button till GREEN LED flashes.
5. Press the setup button to select the frame rate with GREEN LED flashing.
Faster Flashing = High frame rate (7ms) for digital servo
Slower Flashing = Low frame rate (15ms) for analogue servo
6. Power on the transmitter. With the transmitter steering wheel and throttle trigger in neutral position (full stop and straight steering), press the SYNC button of the transmitter.
7. When synchronization is done, the GREEN LED on both receiver and transmitter will turn solid ON.

Water Resistant ESC MSC-540F6WP (V10 Type S) Features



ESC Features:

- Water Resistant
- Support Sensorless Brushless Motor ONLY
- Programming by Transmitter during Power up the ESC
- Battery Selection:
 - 7.4V 2 cells LiPo
 - 7.2V NiMH
- TWO ESC profile:
 - Forward / Reverse with Smart Brake
 - Forward Only
- Battery Over Voltage Protection (Max Input voltage = 13V)
- Thermal Protection
- Motor Stall Detection

Battery Type Selection, End Points Calibration & ESC Mode Selection:

- Set the TH end-point travelling to max, and Throttle Trimmer at center position
- Hold the Throttle Trigger at Max Forward/Reverse position and then power on the ESC
- Keep holding the TH at Max Forward/Reverse until beep once and both LED flashing, then release TH to stop position
- Now, ESC at "selecting item to be programmed stage" ESC will display the follow pattern one by one, and then repeat:
 - A. Green LED only - Toggle Battery Type
 - B. Red LED only - End Points calibration
 - C. Red + Green LED - Toggle ESC Mode
- When the throttle is moved to max Fwd/Rev, ESC will execute the setting task:
 - A. Battery Type Selection
 - LED will indicate currently selected battery type, it will be displayed for 4 sec:
 - Solid Red = LiPo
 - Solid Green = NiMH
 - If user pull /pull the TH to max fwd / max rev with 4 sec, ESC will beep once and select another battery type. And ESC will provide another the 4 second time to allow user to select battery type.
 - If after 4 second, user do not pull/push TH, programming will be ended
 - Both LED flashed 3 times with 3 Beep, finally all LED turn OFF
 - User need to power OFF and turn on again to return to normal operation
 - B. End points calibration
 - While waiting TH return to stop, keep flashing Green LED.
 - Once stop position is detected, Green LED solid on for 1 sec and beep once, and then
 - While waiting TH move to max Fwd, keep flashing Red LED, once max Fwd position detected, Red LED solid on for 1 sec and beep once, and then
 - While waiting TH move to max Rev, keep flashing Green LED + Red solid on, once max Rev position detected, Green LED solid on for 1 sec and beep once, and then
 - Both LED flashing 3 times with 3 Beep, finally all LED turn OFF
 - User need to power OFF and turn on again to return to normal operation
 - C. Select ESC Mode
 - LEDs will indicate the currently selected ESC mode:
 - Solid Green LED only = Forward / Reverse with Smart Brake
 - Flashing Green LED only = Forward only
 - User can push/pull TH to select next ESC mode within 4 second
 - Once user push/pull TH, ESC will beep once, and display newly selected ESC mode, and with will start 4 second timer to allow user to select the ESC mode
 - If after 4 second, user do not pull/push TH, programming will be ended
 - Both LED flashed 3 times with 3 Beep, finally all LED turn OFF
 - User need to power OFF and turn on again to return to normal operation

Remark:

- When TH at stop position, the Green LED indicate the current ESC mode:
 - Green LED Solid On = Forward / Reverse with Smart Brake Mode
 - Green LED flashing = Forward Only with Brake

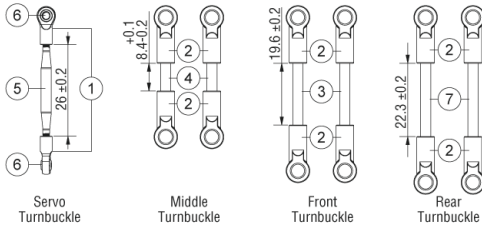
LED Indicator:

- After Power ON:
 - LED will be flashed for 2 second to indicate the currently selected battery type:
 - Flashing Green: Battery = NiMH
 - Flashing Red: Battery = LiPo
- Normal Operation:
 - Stop: GREEN LED solid ON (Forward/Reverse with Smart Brake)
Flashing GREEN LED (Forward Only with Brake)
 - Forward (NOT Full Speed): All LED OFF
 - Forward (Full Speed): Red LED ON
 - Reversing (NOT Full Speed): All LED OFF
 - Reversing (Full Speed): Green LED ON
 - Brake: RED and GREEN LED solid ON
- Overheat Protection:
 - Alternatively Flashing RED and GREEN LED quickly
- Motor Stall Protection:
 - Flashing RED quickly 3 times, stop for a while and repeat again
- Battery Over Voltage (battery over 13V):
 - RED LED solid ON, Flashing GREEN once per second
- Battery Under Voltage (4.5V for NiMH, 6V for 2 cells LiPo, 9V for 3 cells LiPo):
 - GREEN LED solid ON, Flashing RED once per second

THINGS YOU NEED

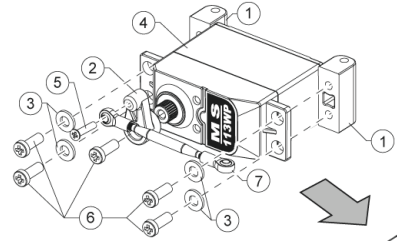
7.4V 2 cells LiPo with XT60 Connector or 7.2V NiMH with XT60 Connector. Complimentary XT60 Connectors are included.

TURNBUCKLE ASSEMBLY

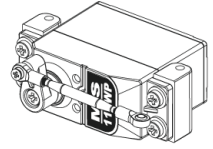


| PART NUMBER | DESCRIPTION | QTY | |
|-------------|---------------|-----------------|----|
| 1 | GT14BP0807-01 | BALL CAP | 2 |
| 2 | M40P1301 | LONG BALL CAP | 12 |
| 3 | MASM061 | M3x36 SCREW ROD | 2 |
| 4 | MASM1045A | M3x26 SCREW ROD | 2 |
| 5 | MASM2325A | SCREW ROD | 1 |
| 6 | ME017A | 3.9 BALL | 2 |
| 7 | SSW-G00595 | SCREW ROD | 2 |

SERVO SAVER EXPLODED DIAGRAM

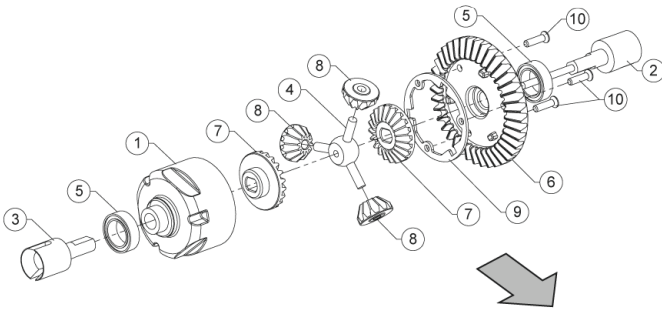


| PART NUMBER | DESCRIPTION | QTY | |
|-------------|-------------|-----------------------|---|
| 1 | M40P0803 | SERVO MOUNT | 2 |
| 2 | M48SP0605 | SERVO ARM 25T | 2 |
| 3 | MASM1210A | 3.3x6.7x0.8mm WASHER | 4 |
| 4 | MS-113WP | WATER RESISTANT SERVO | 1 |
| 5 | SSW-G00106 | 2x10KM D=3.5 | 1 |
| 6 | SSW-G00285 | 3x8PB D=5.2 | 5 |
| 7 | M48S-005 | TURNBUCKLE ASSEMBLY | 1 |

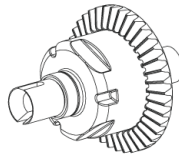


**ASSEMBLED
M48S-006**

DIFFERENTIAL GEAR ASSEMBLY

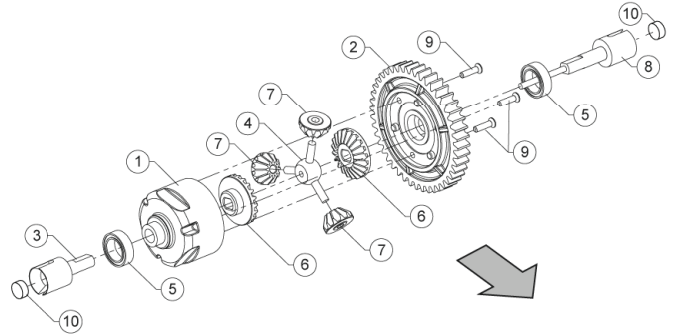


| PART NUMBER | DESCRIPTION | QTY | |
|-------------|-------------|-----------------------------|---|
| 1 | M40P0902 | GEAR DIFFERENTIAL HOUSING | 1 |
| 2 | MASM006A | DIFFERENTIAL OUTDRIVE LONG | 1 |
| 3 | MASM007A | DIFFERENTIAL OUTDRIVE SHORT | 1 |
| 4 | MASM019A | GEAR DIFF. ADAPTOR | 1 |
| 5 | MASM033A | BEARING 8x12x3.5mm | 2 |
| 6 | MASM2216A | SPUR GEAR 39T | 1 |
| 7 | MASM2218A | BEVEL GEAR 21T | 2 |
| 8 | MASM2219A | BEVEL GEAR 12T | 3 |
| 9 | SPC-G00009 | GEAR DIFF. SEAL SHEET | 1 |
| 10 | SSW-G00156 | 2x8KB D3.4 | 3 |

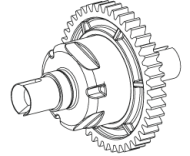


**ASSEMBLED
M48S-007**

CENTER DIFFERENTIAL ASSEMBLY

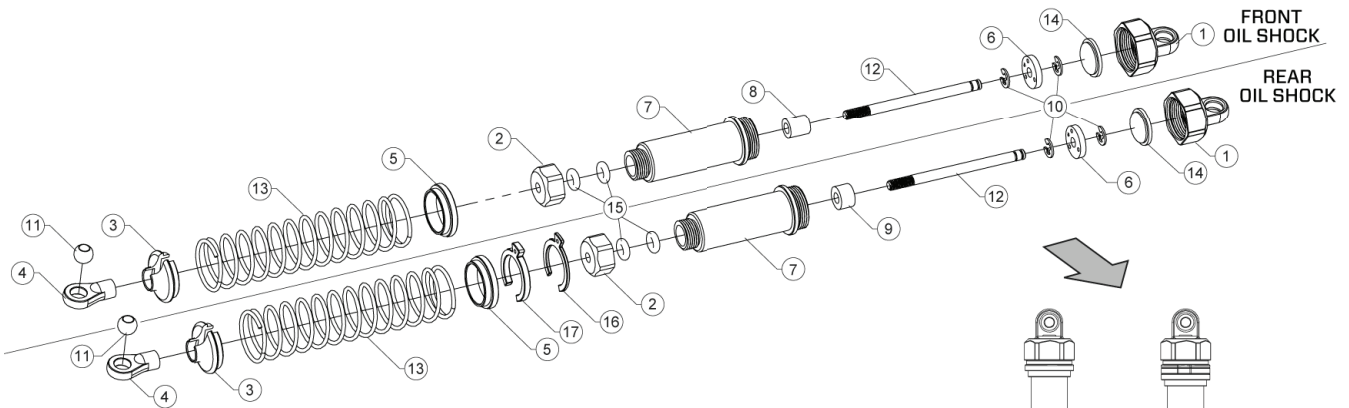


| PART NUMBER | DESCRIPTION | QTY | |
|-------------|-------------|-----------------------------|---|
| 1 | M40P0902 | GEAR DIFFERENTIAL HOUSING | 1 |
| 2 | M48SP0612 | SPUR GEAR 44T | 1 |
| 3 | MASM007A | DIFFERENTIAL OUTDRIVE SHORT | 1 |
| 4 | MASM019A | GEAR DIFF. ADAPTOR | 1 |
| 5 | MASM033A | BEARING 8x12x3.5mm | 2 |
| 6 | MASM2218A | BEVEL GEAR 21T | 2 |
| 7 | MASM2219A | BEVEL GEAR 12T | 3 |
| 8 | MASM2287A | CENTER OUTDRIVE | 1 |
| 9 | SSW-G00156 | 2x8KB D3.4 | 3 |
| 10 | EVA-G00003 | DIFF. OUTDRIVE FOAM STUD | 2 |



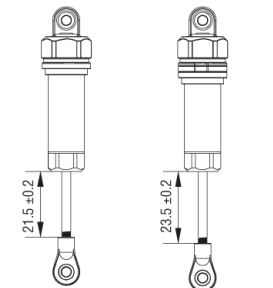
**ASSEMBLED
M48S-008**

FRONT AND REAR OIL SHOCK ASSEMBLY



| PART NUMBER | DESCRIPTION | QTY | |
|-------------|---------------|------------------------|---|
| 1 | GT14BP1001 | SHOCK TOP CAP | 2 |
| 2 | GT14BP1002-01 | SHOCK BOTTOM CAP | 2 |
| 3 | GT14BP1103-01 | SPRING RETAINER LOWER | 2 |
| 4 | GT14BP1104 | SHOCK BALL CAP | 2 |
| 5 | GT14BP1105-01 | OIL SHOCK ADJUSTER | 2 |
| 6 | GT14BPROP0102 | SHOCK PISTON 1.2 | 2 |
| 7 | M40BP0301-01 | OIL SHOCK BODY | 2 |
| 8 | M48SP0615 | FRONT OIL SHOCK SPACER | 1 |
| 9 | M48SP0616 | REAR OIL SHOCK SPACER | 1 |

| PART NUMBER | DESCRIPTION | QTY | |
|-------------|-------------|---------------------------|---|
| 10 | MASM053A | E-RING 2.3x6x0.4 | 4 |
| 11 | MASM204A | 5.8 BALL THROUGH | 2 |
| 12 | MASM2148A | OIL SHOCK SHAFT | 2 |
| 13 | MASM2374A | OIL SHOCK SPRING | 2 |
| 14 | RBP-G00010 | SHOCK DIAPHRAGM | 2 |
| 15 | RBP-G00014 | O-RING | 4 |
| 16 | GT14BP1109 | SHOCK ADJUSTMENT CLIP 1mm | 1 |
| 17 | GT14BP1108 | SHOCK ADJUSTMENT CLIP 2mm | 1 |

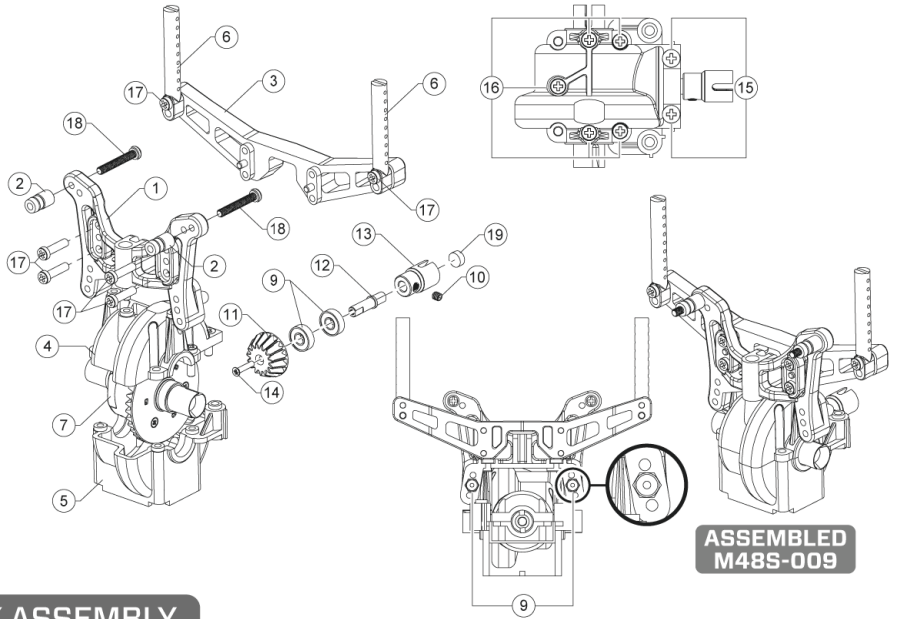


FRONT OIL SHOCK REAR OIL SHOCK

**ASSEMBLED
M48S-003**

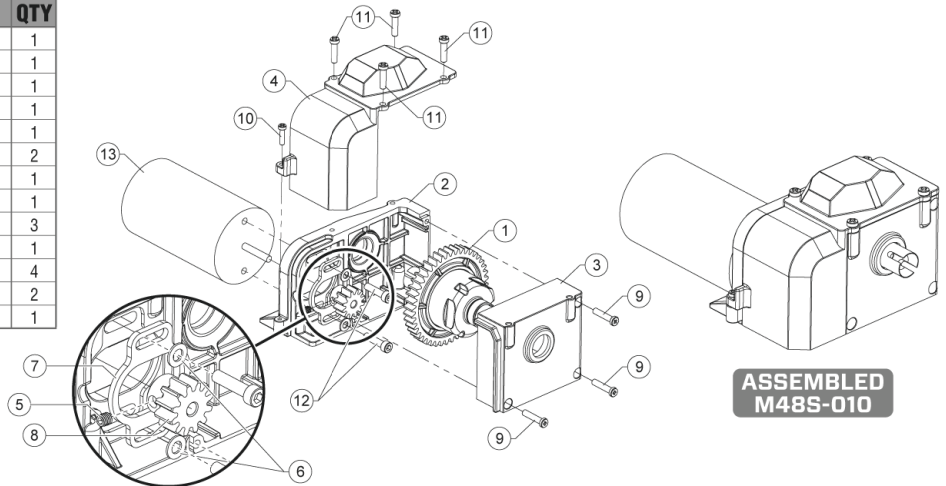
DIFFERENTIAL GEAR BOX ASSEMBLY

| PART NUMBER | DESCRIPTION | QTY | |
|-------------|-------------|--------------------------|---|
| 1 | M40BP0101 | SHOCK TOWER | 1 |
| 2 | M40BP0102 | SHOCK TOWER MOUNT | 2 |
| 3 | M40DTP0202 | STEERING LINKAGE | 1 |
| 4 | M40P0601-02 | UPPER DIFF. HOUSING | 1 |
| 5 | M40P0602-02 | LOWER DIFF. HOUSING | 1 |
| 6 | M40P1004 | BODY POST | 2 |
| 7 | M48S-007 | DIFF. GEAR ASSEMBLED | 1 |
| 8 | MASM013A | 4.8 BALL STUD | 2 |
| 9 | MASM035A | BEARING 4x10x3mm | 2 |
| 10 | MASM038A | M3 SCREW SET | 1 |
| 11 | MASM2217A | BEVEL GEAR 15T | 1 |
| 12 | MASM2276A | INPUT SHAFT | 1 |
| 13 | MASM2336A | OUTDRIVE CUP | 1 |
| 14 | SSW-G00106 | 2x10KM D3.5 | 1 |
| 15 | SSW-G00188 | 3x10KB | 2 |
| 16 | SSW-G00192 | 3x10PB | 5 |
| 17 | SSW-G00205 | 3x12PB | 6 |
| 18 | SSW-G00234 | 3x20BM D5.2 | 2 |
| 19 | EVA-G00003 | DIFF. OUTDRIVE FOAM STUD | 1 |



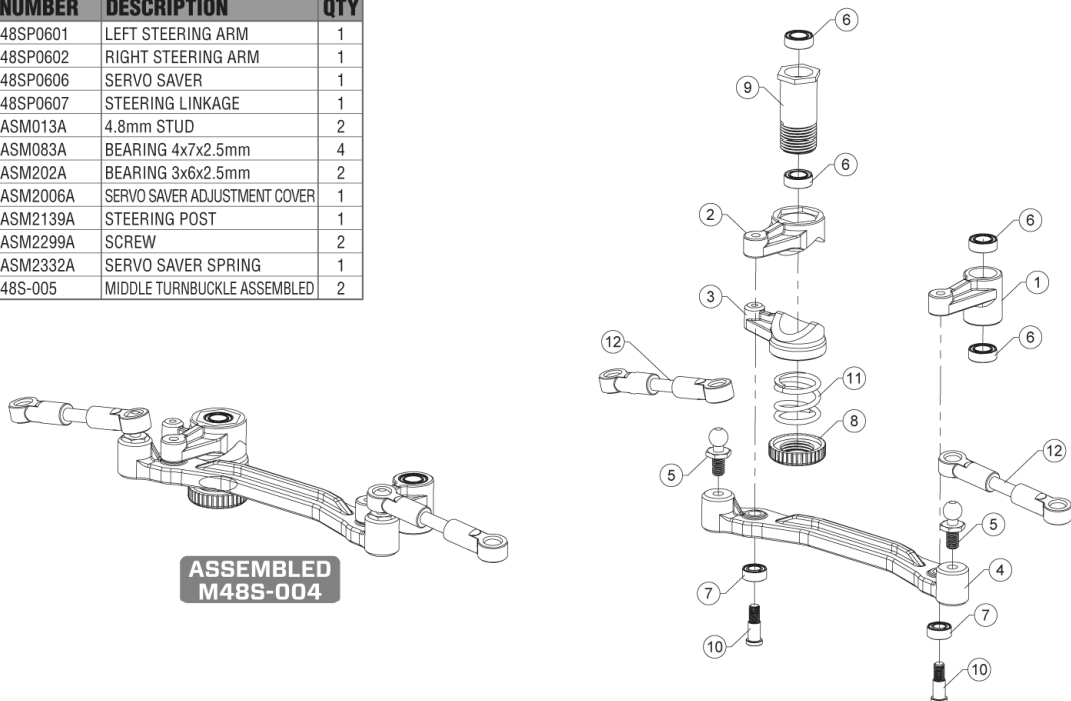
CENTER DIFFERENTIAL BOX ASSEMBLY

| PART NUMBER | DESCRIPTION | QTY | |
|-------------|-------------|------------------------|---|
| 1 | M48S-008 | CENTER DIFF. ASSEMBLED | 1 |
| 2 | M48SP0303 | MOTOR MOUNT A | 1 |
| 3 | M48SP0304 | MOTOR MOUNT B | 1 |
| 4 | M48SP0305 | GEAR DUST COVER | 1 |
| 5 | MASM038A | M3 SCREW SET | 1 |
| 6 | MASM212A | SPACER RING | 2 |
| 7 | MASM2326A | METAL MOTOR GASKET | 1 |
| 8 | MASM2346A | BEVEL GEAR 12T | 1 |
| 9 | SSW-G00035 | 2.6x12PB | 3 |
| 10 | SSW-G00158 | 2x8PB | 1 |
| 11 | SSW-G00175 | 2.6x10PB | 4 |
| 12 | SSW-G00579 | 3x12CM | 2 |
| 13 | MOT-G00120 | 540 BRUSHLESS MOTOR | 1 |



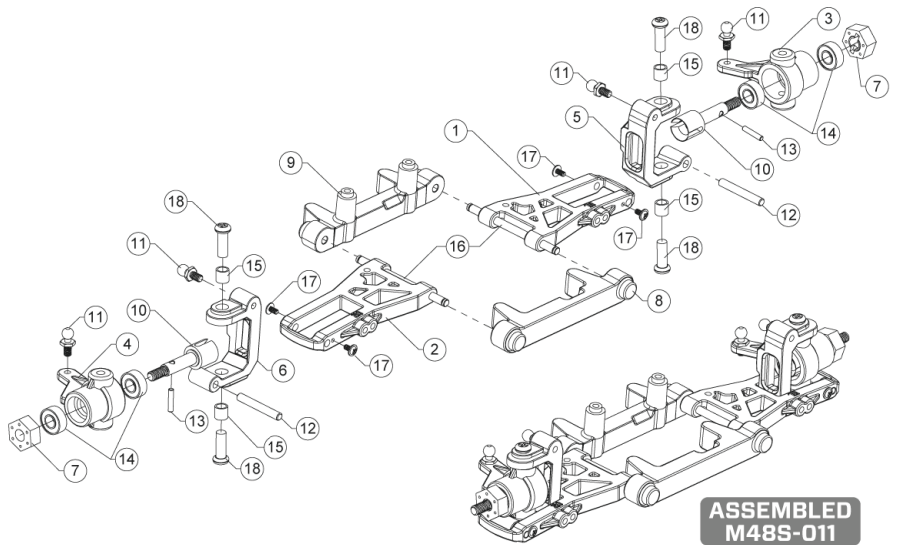
STEERING POST ASSEMBLY

| PART NUMBER | DESCRIPTION | QTY | |
|-------------|-------------|------------------------------|---|
| 1 | M48SP0601 | LEFT STEERING ARM | 1 |
| 2 | M48SP0602 | RIGHT STEERING ARM | 1 |
| 3 | M48SP0606 | SERVO SAVER | 1 |
| 4 | M48SP0607 | STEERING LINKAGE | 1 |
| 5 | MASM013A | 4.8mm STUD | 2 |
| 6 | MASM083A | BEARING 4x7x2.5mm | 4 |
| 7 | MASM202A | BEARING 3x6x2.5mm | 2 |
| 8 | MASM2006A | SERVO SAVER ADJUSTMENT COVER | 1 |
| 9 | MASM2139A | STEERING POST | 1 |
| 10 | MASM2299A | SCREW | 2 |
| 11 | MASM2332A | SERVO SAVER SPRING | 1 |
| 12 | M48S-005 | MIDDLE TURNBUCKLE ASSEMBLED | 2 |



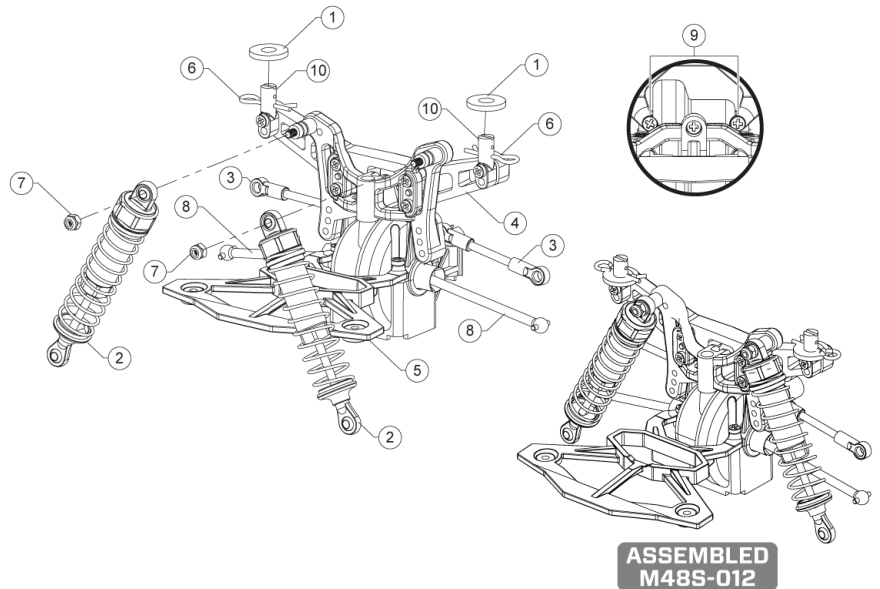
FRONT SUSPENSION ARMS ASSEMBLY

| PART NUMBER | DESCRIPTION | QTY | |
|-------------|-------------|--------------------------|---|
| 1 | M40P0301-02 | FRONT SUSPENSION ARM L | 1 |
| 2 | M40P0302-02 | FRONT SUSPENSION ARM R | 1 |
| 3 | M40P0401-02 | FRONT SPINDLE L | 1 |
| 4 | M40P0402-02 | FRONT SPINDLE R | 1 |
| 5 | M40P0403-01 | HUB CARRIER L | 1 |
| 6 | M40P0404-01 | HUB CARRIER R | 1 |
| 7 | M40P0703 | WHEEL HEX | 2 |
| 8 | M48SP0201 | FRONT F SUSPENSION BRACE | 1 |
| 9 | M48SP0202 | FRONT R SUSPENSION BRACE | 1 |
| 10 | MASM004A | OUTDRIVE | 2 |
| 11 | MASM013A | 4.8mm BALL STUD | 4 |
| 12 | MASM015A | PIN D1/8"x22.9 | 2 |
| 13 | MASM017A | PIN D2x10 | 2 |
| 14 | MASM034A | BEARING 5x11x4mm | 4 |
| 15 | MASM668A | BUSHING 4.1x5.3x5.5 | 4 |
| 16 | MASM1724A | PIN D3.175x48.3mm | 2 |
| 17 | SSW-G00142 | 2x5PWM | 4 |
| 18 | SSW-G00652 | 4x11PM D6.2 | 4 |



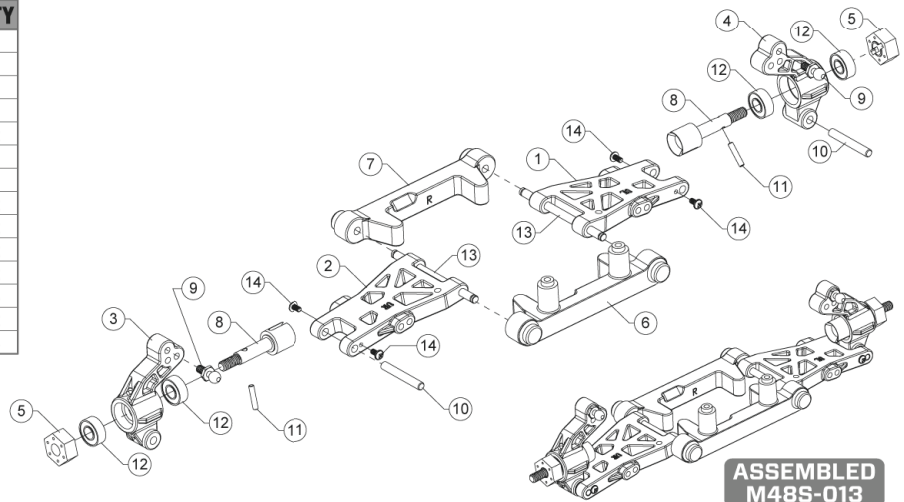
FRONT DIFFERENTIAL GEAR BOX & OIL SHOCK ASSEMBLY

| PART NUMBER | DESCRIPTION | QTY | |
|-------------|-------------|----------------------------|---|
| 1 | EVA-G00002 | EVA SPACER | 2 |
| 2 | M48S-003 | FRONT OIL SHOCK ASSEMBLED | 2 |
| 3 | M48S-005 | FRONT TURNBUCKLE ASSEMBLED | 2 |
| 4 | M48S-009 | DIFF. GEAR BOX ASSEMBLED | 1 |
| 5 | M48SP0103 | FRONT BUMPER BRACE | 1 |
| 6 | MASM032A | BODY CLIP | 2 |
| 7 | MASM1168A | SCREW NUT | 2 |
| 8 | MASM2322A | DOG BONE | 2 |
| 9 | SSW-G00443 | 3x14PB | 2 |
| 10 | M40P1004 | BODY POST | 2 |



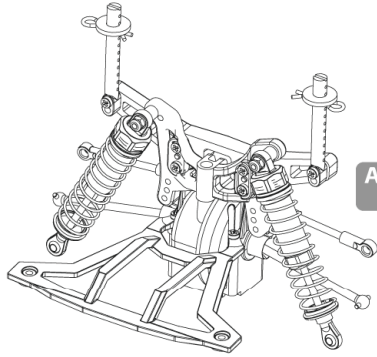
REAR SUSPENSION ARMS ASSEMBLY

| PART NUMBER | DESCRIPTION | QTY | |
|-------------|-------------|-------------------------|---|
| 1 | M40P0303-02 | REAR SUSPENSION ARM L | 1 |
| 2 | M40P0304-02 | REAR SUSPENSION ARM R | 1 |
| 3 | M40P0405-02 | REAR SPINDLE L | 1 |
| 4 | M40P0406-02 | REAR SPINDLE R | 1 |
| 5 | M40P0703 | WHEEL HEX | 2 |
| 6 | M48SP0203 | REAR F SUSPENSION BRACE | 1 |
| 7 | M48SP0204 | REAR R SUSPENSION BRACE | 1 |
| 8 | MASM004A | OUTDRIVE | 2 |
| 9 | MASM013A | 4.8mm BALL STUD | 2 |
| 10 | MASM015A | PIN D1/8"x22.9 | 2 |
| 11 | MASM017A | PIN D2x10 | 2 |
| 12 | MASM034A | BEARING 5x11x4mm | 4 |
| 13 | MASM1724A | PIN D3.175x48.3mm | 2 |
| 14 | SSW-G00129 | 2x4PWB D4 | 4 |

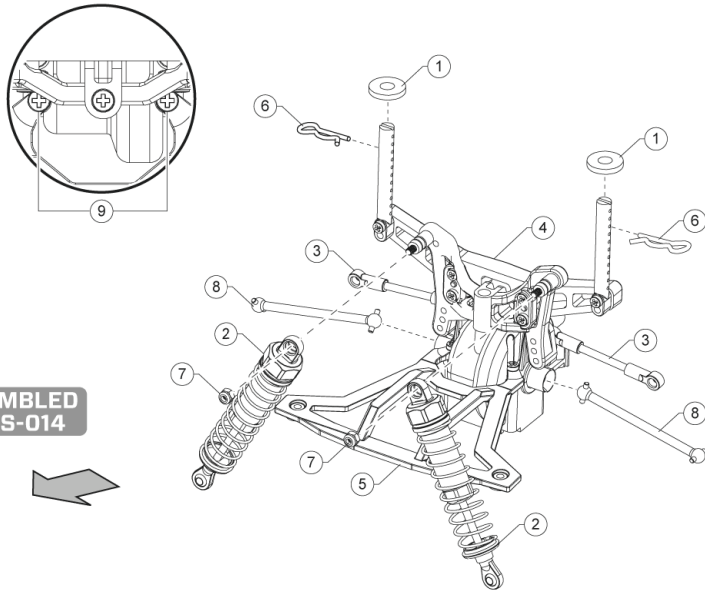


REAR DIFFERENTIAL GEAR BOX & OIL SHOCK ASSEMBLY

| PART NUMBER | DESCRIPTION | QTY | |
|-------------|-------------|---------------------------|---|
| 1 | EVA-G00002 | EVA SPACER | 2 |
| 2 | M48S-003 | REAR OIL SHOCK ASSEMBLED | 2 |
| 3 | M48S-005 | REAR TURNBUCKLE ASSEMBLED | 2 |
| 4 | M48S-009 | DIFF. GEAR BOX ASSEMBLED | 1 |
| 5 | M48SP0104 | REAR BUMPER BRACE | 1 |
| 6 | MASM032A | BODY CLIP | 2 |
| 7 | MASM1168A | SCREW NUT | 2 |
| 8 | MASM2322A | DOG BONE | 2 |
| 9 | SSW-G00443 | 3x14PB | 2 |

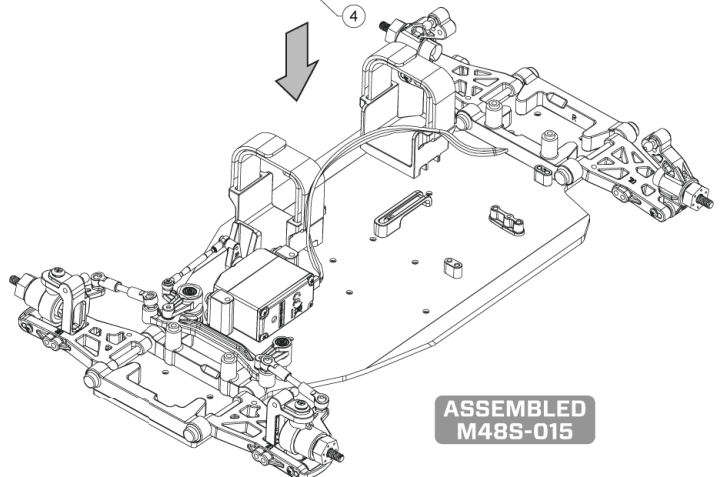
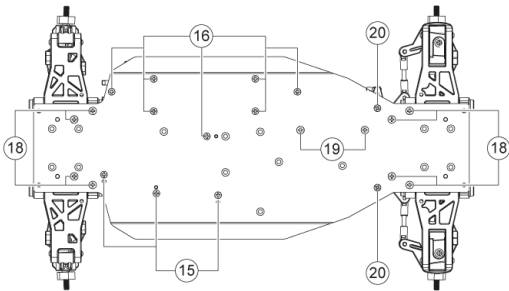
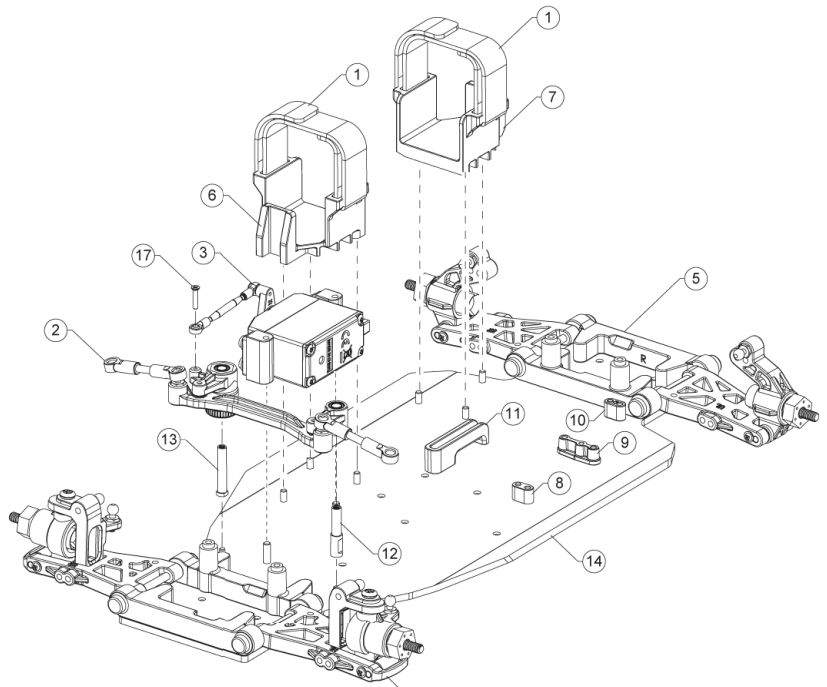


**ASSEMBLED
M48S-014**



MAIN CHASSIS ASSEMBLY

| PART NUMBER | DESCRIPTION | QTY | |
|-------------|-------------|-----------------------------|---|
| 1 | CBT-G00032 | HOOK & LOOP | 2 |
| 2 | M48S-004 | STEERING POST ASSEMBLED | 1 |
| 3 | M48S-006 | SERVO SAVER ASSEMBLED | 1 |
| 4 | M48S-011 | F SUSPENSION ARMS ASSEMBLED | 1 |
| 5 | M48S-013 | R SUSPENSION ARMS ASSEMBLED | 1 |
| 6 | M48SP0301 | BATTERY MOUNT A | 1 |
| 7 | M48SP0302 | BATTERY MOUNT B | 1 |
| 8 | M48SP0608 | 540 ESC MOUNT | 1 |
| 9 | M48SP0609 | RECEIVER MOUNT A | 1 |
| 10 | M48SP0610 | RECEIVER MOUNT B | 1 |
| 11 | M48SP0611 | WIRE MOUNT | 1 |
| 12 | MASM2137A | LEFT STEERING POST | 1 |
| 13 | MASM2138A | RIGHT STEERING POST | 1 |
| 14 | MASM2307A | METAL CHASSIS | 1 |
| 15 | SSW-G00020 | 2.6x10KB | 3 |
| 16 | SSW-G00077 | 2.6x8KB | 7 |
| 17 | SSW-G00106 | 2x10KM D3.5 | 1 |
| 18 | SSW-G00188 | 3x10KB | 8 |
| 19 | SSW-G00207 | 3x12KB | 2 |
| 20 | SSW-G00361 | 2.6x8KM | 2 |



**ASSEMBLED
M48S-015**

SPARE PARTS LIST

| ITEM NO | BARCODE | PRODUCT NAME | PART NO | DESCRIPTION | QTY |
|------------|--------------------------------------|--|---------------------|---|-----|
| 15117 | 4892793151177 | M48S BUMPER (F/R) SET | M48SP0101 | FRONT BUMPER | 1 |
| | | | M48SP0102 | REAR BUMPER | 1 |
| | | | M48SP0103 | FRONT BUMPER BRACE | 1 |
| | | | M48SP0104 | REAR BUMPER BRACE | 1 |
| 15118 | 4892793151184 | M48S FRONT WHEEL / TYRE PAIR MOUNTED | MAT-008-TA-00001 | M48S FRONT WHEEL / TYRE PAIR MOUNTED | 2 |
| 15119 | 4892793151191 | M48S REAR WHEEL / TYRE PAIR MOUNTED | MAT-008-TA-00002 | M48S REAR WHEEL / TYRE PAIR MOUNTED | 2 |
| 15120 | 4892793151207 | M48S STEERING ARM SET | M48SP0601 | STEERING ARM LEFT | 1 |
| | | | M48SP0602 | STEERING ARM RIGHT | 1 |
| 15121 | 4892793151214 | M48S DOG BONE (PAIR) | MASM2322A | DOG BONE | 2 |
| 15122 | 4892793151221 | M48S MAIN DRIVE SHAFT | MASM2323A | MAIN DRIVE SHAFT (FRONT) | 1 |
| | | | MASM2324A | MAIN DRIVE SHAFT (REAR) | 1 |
| 15123 | 4892793151238 | M48S BATTERY MOUNT SET | M48SP0301 | BATTERY MOUNT A | 1 |
| | | | M48SP0302 | BATTERY MOUNT B | 1 |
| | | | CBT-G00032 | HOOK & LOOP | 2 |
| | | | | | |
| 15124 | 4892793151245 | M48S TURNBUCKLE SET | GT14BP0807-01 | BALL CAP FOR SERVO TURNBUCKLE | 2 |
| | | | M40P1301 | LONG BALL CAP | 12 |
| | | | MASMO61A | M3x36 SCREW ROD FOR FRONT TURNBUCKLE | 2 |
| | | | MASM1045A | M3x26 SCREW ROD FOR STEERING TURNBUCKLE | 2 |
| | | | MASM2325A | SCREW ROD FOR SERVO TURNBUCKLE | 1 |
| | | | ME017A | 3.9 BALL FOR SERVO TURNBUCKLE | 2 |
| | | | SSW-G00595 | SCREW ROD FOR REAR TURNBUCKLE | 2 |
| | | | | | |
| 15125 | 4892793151252 | M48S SUSPENSION ARM BRACE | M48SP0201 | FRONT F SUSPENSION BRACE | 1 |
| | | | M48SP0202 | FRONT R SUSPENSION BRACE | 1 |
| | | | M48SP0203 | REAR F SUSPENSION BRACE | 1 |
| | | | M48SP0204 | REAR R SUSPENSION BRACE | 1 |
| 15126 | 4892793151269 | M48S MOTOR MOUNT SET | M48SP0303 | MOTOR MOUNT A | 1 |
| | | | M48SP0304 | MOTOR MOUNT B | 1 |
| | | | M48SP0305 | GEAR DUST COVER | 1 |
| 15127 | 4892793151276 | M48S ESC / RECEIVER MOUNTING ADAPTOR | M48SP0608 | 540 ESC MOUNT | 1 |
| | | | M48SP0609 | RECEIVER MOUNT A | 1 |
| | | | M48SP0610 | RECEIVER MOUNT B | 1 |
| | | | M48SP0611 | WIRE MOUNT | 1 |
| 15128 | 4892793151283 | M48S PORSCHE 959 PAINTED + DECORATED BODY ASSEMBLY | MAT-008-BA-00001 | M48S PORSCHE 959 PAINTED + DECORATED BODY | 1 |
| | | | MASM032A | BODY CLIP | 4 |
| | | | DCL-G00318 | CARISMA LOGO STICKER | 1 |
| | | | DCC-G00291 | PORSCHE 959 CAR BODY STICKER SHEET B | 1 |
| 15129 | 4892793151290 | M48S FRONT BUMPER FOAM | EVA-G00173 | FRONT BUMPER FOAM | 1 |
| 15130 | 4892793151306 | M48S MAIN CHASSIS | MASM2307A | METAL CHASSIS | 1 |
| 15131 | 4892793151313 | M48S PORSCHE 959 CLEAR BODY SET | 959B0101 | PORSCHE 959 CAR BODY | 1 |
| | | | 959P0101 | REAR WING | 1 |
| | | | 959P0102 | HEAT DISSIPATION BOX | 1 |
| | | | 959P0103 | TOP LIGHT L | 1 |
| | | | 959P0104 | TOP LIGHT R | 1 |
| | | | 959P0105 | DOOR HANDLE | 2 |
| | | | 959P0108 | MIRROR LEFT C | 1 |
| | | | 959P0109 | MIRROR LEFT B | 1 |
| | | | 959P0110 | MIRROR LEFT A | 1 |
| | | | 959P0111 | MIRROR RIGHT C | 1 |
| | | | 959P0112 | MIRROR RIGHT B | 1 |
| | | | 959P0113 | MIRROR RIGHT A | 1 |
| | | | 959P0114 | WIPER BLADE | 2 |
| | | | MASM090A | CLIP D1.0 | 2 |
| | | | RBP-G00021 | O-RING | 4 |
| | | | SSW-G00100 | SCREW 2x6 PWB | 4 |
| | | | SSW-G00456 | SCREW 2.6x4 PWB | 6 |
| | | | DCC-G00290 | PORSCHE 959 CAR BODY STICKER SHEET | 1 |
| DCC-G00291 | PORSCHE 959 CAR BODY STICKER SHEET B | 1 | | | |
| MASM032A | BODY CLIP | 4 | | | |
| DCL-G00318 | CARISMA LOGO STICKER | 1 | | | |
| 15024 | 4892793150248 | M40 SERIES METAL DIFFERENTIAL GEAR BOX ASSEMBLED | MAT-SPT-AS-15024(F) | FRONT METAL DIFF GEAR ASSEMBLED | 1 |
| | | | MAT-SPT-AS-15024(R) | REAR METAL DIFF GEAR ASSEMBLED | 1 |
| | | | MASM2277A | CENTRE DRIVE CUP | 2 |
| | | | MASM038A | M3 SCREW SET | 2 |
| | | | MASM2276A | INPUT SHAFT | 1 |
| | | | MASM667A | 4.1 x 5.2 x 2 RING | 2 |
| | | | MASM2278A | SLIPPER SHAFT | 1 |
| | | | MASM011A | PIN D1.5 x 8mm | 1 |
| MASM2217A | BEVEL PINION 15T | 2 | | | |
| SSW-G00106 | SCREW 2x10KM | 2 | | | |
| 15020 | 4892793150200 | M40DT / M10DT / M48S GEAR DIFF. SEAL SHEET | SPC-G00009 | DIFF. SEAL SHEET | 1 |
| 15132 | 4892793151320 | M48S CENTER DIFFERENTIAL SET | M40P0902 | DIFFERENTIAL HOUSING | 1 |
| | | | M48SP0612 | SPUR GEAR 44T | 1 |
| | | | MASMO07A | OUTPUT SHAFT (SHORT) | 1 |
| | | | MASMO19A | DIFFERENTIAL GEAR ADAPTER | 1 |
| | | | MASM033A | BEARING 8x12x3.5mm | 2 |
| | | | MASM2218A | BEVEL GEAR 21T | 2 |
| | | | MASM2219A | BEVEL GEAR 12T | 3 |
| MASM2287A | CENTRE DRIVE CUP | 1 | | | |
| SSW-G00156 | SCREW 2x8KB D3.4 | 3 | | | |
| 15133 | 4892793151337 | M40DT / M48S BOBY POST BRACE SET | M40DTP0202 | BOBY POST BRACE | 1 |
| 15134 | 4892793151344 | M48S 12T PINION GEAR SET | MASM2346A | PINION GEAR 12T | 1 |
| | | | MASM038A | M3 SCREW SET | 1 |
| | | | MASM2326A | METAL MOTOR GASKET | 1 |
| | | | MASM212A | SPACER RING | 2 |
| 15135 | 4892793151351 | M48S FRONT SUSPENSION ARM SET | M40P0301-01 | FRONT SUSPENSION ARM L | 1 |
| | | | M40P0302-01 | FRONT SUSPENSION ARM R | 1 |
| 15136 | 4892793151368 | M48S REAR SUSPENSION ARM SET | M40P0303-01 | REAR SUSPENSION ARM L | 1 |
| | | | M40P0304-01 | REAR SUSPENSION ARM R | 1 |
| 14103 | 4892793141031 | M40S STEERING HUB SET | M40P0401-01 | LEFT FRONT SPINDLE | 1 |
| | | | M40P0402-01 | RIGHT FRONT SPINDLE | 1 |
| | | | M40P0403-01 | LEFT HUB CARRIER | 1 |
| | | | M40P0404-01 | RIGHT HUB CARRIER | 1 |
| 14104 | 4892793141048 | M40S REAR UPRIGHT SET | M40P0405-01 | LEFT REAR SPINDLE | 1 |
| | | | M40P0406-01 | RIGHT REAR SPINDLE | 1 |
| 14112 | 4892793141123 | M40S SUSPENSION PIN SET | MASM1724A | PIN D3.175 x 48.3mm | 2 |
| 14132 | 4892793141321 | M40S OUTDRIVE | MASM015A | PIN D3.175 x 22.9mm | 2 |
| | | | MASM004A | OUTDRIVE | 4 |
| 14124 | 4892793141246 | M40S WHEEL ADAPTOR SET | M40P0703 | WHEEL HEX ADAPTOR | 4 |
| | | | MASM017A | WHEEL HEX ADAPTOR PIN | 4 |
| 14963 | 4892793149631 | GTB STEERING POSTS SET | MASM2137A | LEFT STEERING POST | 1 |
| | | | MASM2138A | RIGHT STEERING POST | 1 |



Porsche, the Porsche shield and the distinctive design of Porsche cars are trademarks and trade dress of Porsche AG. Permission granted.

Visit Us on www.carisma.com.hk

©2013 Carisma. All Rights Reserved. Product specifications are subject to change. Some models shown are prototypes which may vary slightly from what is inside.

Printed in China

MAN-G00358

