

Carisma®

DIGITAL PROPORTIONAL RADIO CONTROL MODELS



**CAR BATTERY
NOT INCLUDED**

DIMENSION

SCALE : 1/10

HEIGHT : 178mm

TYRE : Ø91mm x 36mm(width)

LENGTH : 472mm

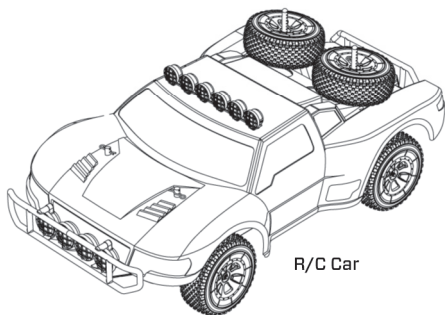
WIDTH : 256mm

WHEELBASE : 258mm

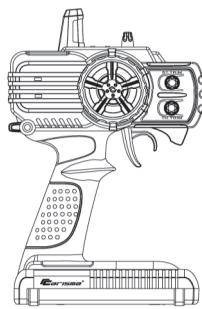
M400T SCALE 1:10 OFF ROAD EP INSTRUCTION MANUAL



WHAT'S IN THE BOX



R/C Car



Transmitter



XT60 Connector



Hex Wrench



4 x AA Batteries



Wrench

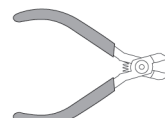
TOOLS RECOMMENDED (NOT INCLUDED)



Long Nose Pliers



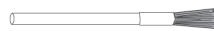
Screwdriver (Small)



Nippers



Screwdriver (Large)



Soft Brush



Hex Driver

SAFETY PRECAUTIONS

SAFETY PRECAUTIONS

**THIS MODEL IS ONLY SUITABLE FOR PEOPLE 14 YEARS OLD AND UP.
THIS RADIO CONTROL MODEL IS NOT A TOY.**

Beginner should seek advice from experienced person in order to assemble the model or parts correctly and to make best performance.

* Assemble this model or parts only in place out of children's reach, and take safe precautions before operating this model. User is fully responsible for the model assembly and safe operations.

Introduction

This is a sophisticated hobby product and not a toy. It must be operated with caution and common sense. User also requires some basic mechanical abilities. Fail to operate this product in a safe and responsible manner could result in injury or do damage to the product or other properties. This product is not intended for use by children without direct adult supervision. The product manual contains instructions for safe operation and maintenance. It is essential to read and follow all the instructions and warnings in the manual prior to assembly, setup or use, in order to operate correctly and avoid damage or injury.

Safety, Precautions, and Warnings

As the user of this product, you are solely responsible for operating it in a manner that does not endanger yourself and others or result in damage to the product or the property of others.

This model is controlled by a radio signal that is subject to interference from many sources outside your control. This interference can cause momentary loss of control so it is necessary to always keep a safe distance in all directions around your model, as this will help to avoid collisions or injury.

- Always operate your model in an open area away from cars, traffic, or people.
- Avoid operating your model on the street where injury or damage can occur.
- Never operate the model out into the street or populated areas for any reason.
- Never operate your model with low transmitter batteries.
- Carefully follow the directions and warnings for this product and any optional support equipments (chargers, rechargeable battery packs, etc.) that you use.
- Keep all chemicals, small parts and anything electrical out of the reach of children.
- Moisture causes damage to electronics. Avoid water exposure to all equipments not specifically designed and protected for this purpose.

CE Compliance Information For The European Union

The associated regulatory agencies of the following countries recognize the noted certifications for this product as authorized for sale and use.

UK	DE	DK	BG	SE	CZ	ES	NL	SK	HU	RO	FR	PT
FI	EE	LV	LT	PL	AT	CY	SI	GR	MT	IT	IE	LU

Declaration of Conformity

Products: Carisma CTX-2710 2.4GHz Transmitter, MRX2800 Receiver

Equipment Class: 2

The objects of declaration described above are in conformity with the requirements of the specifications listed below.

Item Name : Carisma CTX-2710 2.4GHz Transmitter and MRX2800 Receiver

ETSI EN 300 328 V1.7.1:2006

ETSI EN 301 489-1 V1.8.1:2008

EN 301 489-17 V2.1.1:2009

EN 50371:2002

Directive 1999/5/EC (R&TTE)

Article 3.1a Health

Article 3.1b EMC

Article 3.2 Radio Spectrum

FCC ID YDTMTM27HP

Statement - This device complies with Part 15 of the FCC Rules.

Operation is subject to the following two conditions:

- (1) this device may not cause harmful interference, and
- (2) this device must accept any interference received, including interference that may cause undesired operation.

Changes or modifications not expressly approved by the party responsible for compliance could void the user's authority to operate the equipment.

RF Exposure Warning:

This equipment complies with FCC radiation exposure limits set forth for an uncontrolled environment.

And should be operated with minimum distance of 20 cm between the antenna & your body.



Item Name : MSC-540F6WP Electronic Speed Controller

EN 61000-6-3: 2007+A1:2011

EN 61000-6-1: 2007

Item Name : MS-113WP Servo

EN 55014-1:2006+A1:2009

EN 55014-2:1997+A1:2001+A2:2008

Manufactured By : Mun Ah Plastic Electronic Toys Company.,Ltd

ABOUT THE RADIO SYSTEM

Carisma CTX-2710 2.4GHz FHSS Technology System

The following is an overview of the various functions and adjustments found on CTX-2710 radio system for Carisma models. It is important to read and understand about all of these functions and adjustments before driving.

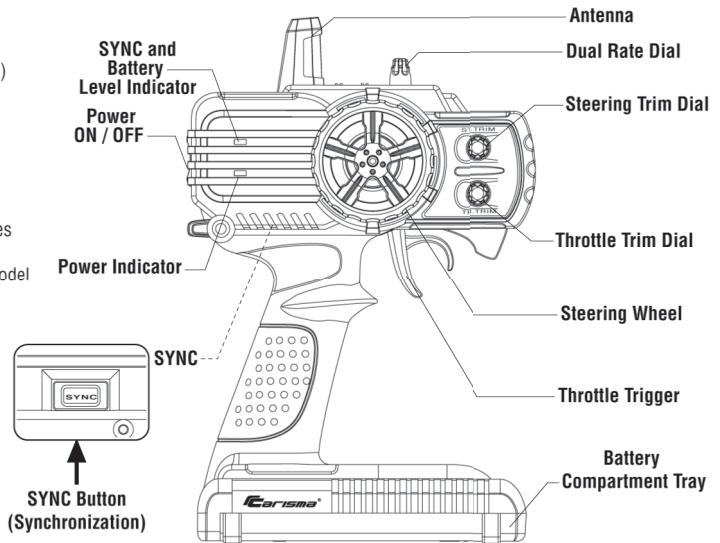
Function

The Transmitter CTX-2710

- Steering Wheel :** Control direction (Left / Right) of the RC model.
- Throttle Trigger :** Control speed and direction (Forward/Brake/Backward) of the driving model.
- Antenna :** Transmit signal to the model.
- Power ON / OFF :** Power ON / OFF the transmitter
- SYNC & Battery Indicator :** Top Green LED light indicates synchronization status and/or adequate battery power supply.
- Power Indicator :** Bottom Red LED light indicates power "ON".
- Dual Rate Dial :** Adjust the same maximum steering angle on both sides when model turns Left / Right
- ST. Trim Dial :** Adjust the neutral position of steering servo when model wheels are straight ahead.
- TH. Trim Dial :** Make sure the model stays still when releasing the throttle trigger.

Battery Compartment Tray : Cover and hold the batteries powering the transmitter.

* In general, user will experience under steer when making a wide turn at high speed or over steer when making sharp turn at high speed (easy to spin out). User should practice the throttle and steering approach for different cornering at different speed or road surface.



Battery Installation

Supplied with 4 x 1.5V AA Batteries, CTX-2710 can be operated a few hours. Installation: Remove the battery compartment cover as shown below.

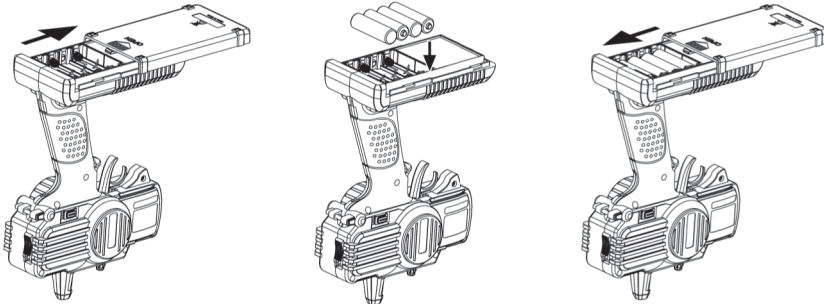
Install the batteries observing the polarity marked on battery compartment.

Then reinstall the battery compartment cover as the Picture shown below.

Warning : Never disassemble batteries or put the batteries in fire, chemical agents, otherwise they may cause personal injuries or property damages.

Battery Disposal : Observe corresponding regulations about wasted battery treatment regulations.

1. After running out of power, dispose of wasted batteries in designated areas far away from water supply, household areas and planted areas.
2. Submit the wasted batteries to specific recycling stations.

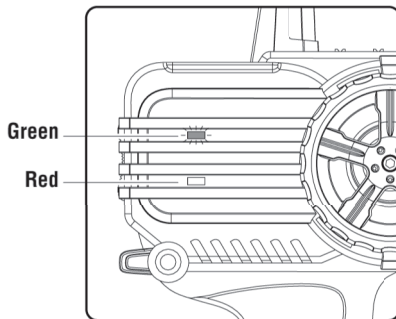


Battery LED Indicator

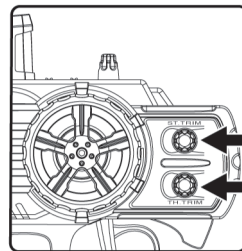
The Green LED indicator located on the front left side of the transmitter indicates the power supply of batteries. The green LED will go solid on indicating that the batteries have sufficient power. When batteries voltage drops below 4 volts, the Green LED will flash, indicating the batteries power is low and should be replaced.

Solid Green :
Sufficient Power supply

Flashing :
Time to replace batteries



Pre-Run Check

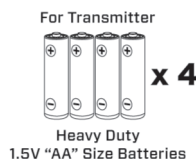


1. **Steering :** Adjust the steering trim to keep the front wheels in straight line when steering wheel remains in NEUTRAL position.
2. **Throttle :** Adjust the throttle trim to ensure the rear wheels stop rotating when throttle trigger remains in NEUTRAL position.

* Always turn on the transmitter first by sliding the switch on the left side from bottom to top. The small red and green lights above the switch should both light up. If not, you need to check for low or incorrectly installed batteries.

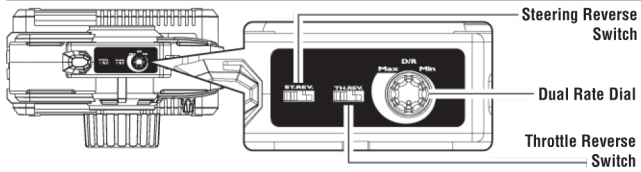
Instructions for Disposal of WEEE by Users in the European Union

This product must never be thrown away with other waste. Thus the users are liable for disposing the wasted model by submitting them to designated collection stations specific for recycling electronic and electric items. Disposing of the wasted model in this way is helpful to conserve natural resources and enable to keep human health and protect the environment. For more information about wasted model disposal and recycling, please contact your local city office, your disposal service or where you purchased the product.



ABOUT THE RADIO SYSTEM

Top Control Panel



Reversing

Reversing is used to change the response direction of steering wheel and throttle trigger. CTX-2710 Transmitter features 2 reversing functions: Steering Reverse and Throttle Reverse.

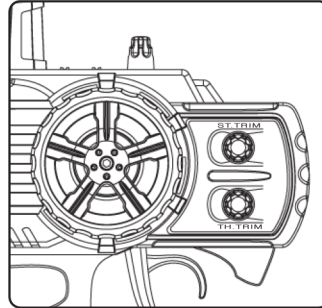
Steering Reverse: Reverse the response direction when operating steering wheel. Turning left steering wheel, the model turns right while turning right the model turns left.

Throttle Reverse: Reverse the response direction when operating throttle trigger. Pushing forward throttle trigger the model moves backward while pulling back, the model moves forward. If necessary you can just use a small screwdriver to adjust the or responding switches.

Dual Rate Dial

Dual Rate Dial enables to adjust the same maximum steering angle of servo on both sides (Left and Right) when model makes steering. The Dual Rate Dial affects the sensitivity of servo. Reducing dual rate value can lower the sensitivity of servo and reduce the same maximum steering angle on both sides. Remember to adjust the dual rate value within the adjustment range.

Trimming



CTX-2710 features two trimming functions: Steering Trim and Throttle Trim.

Steering Trim Dial :

Adjust the neutral position of steering servo when the wheels are straight ahead. Normally steering trim is adjusted until the model can keep straight tracks.

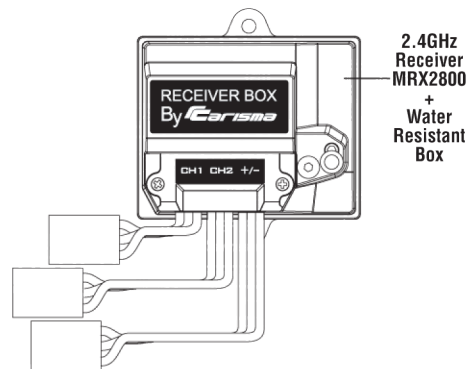
Throttle Trim Dial :

Adjust neutral position of throttle servo. Make sure the model stays still when releasing the throttle trigger.

RECEIVER CONNECTION AND INSTALLATION

Carisma 2.4GHz Receiver MRX2800 + Water Resistant Box

This product comes with the Transmitter and the Receiver Pre-Binded for immediate operation. In the event that you need to Re-Bind the Transmitter and Receiver. Please follow this procedure to access the Receiver Bind button from the Water Resistant Housing.



CH1 - Steering Port : Where to plug in the servo.

CH2 - Throttle Port : Where to plug in the Electronic Speed Controller (ESC).

+/- - Auxiliary Port (Reserved)

WARNING :

- Never bend the metal pins on the PCB of receiver.
- Never cut the antenna cable.
- Install the antenna vertically as shown in the figure.
- Keep the antenna as far away from the motor, ESC and other noise sources as you possibly can.

TIPS :

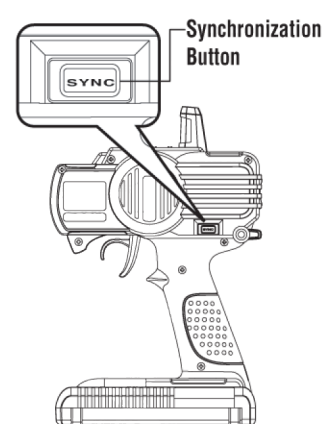
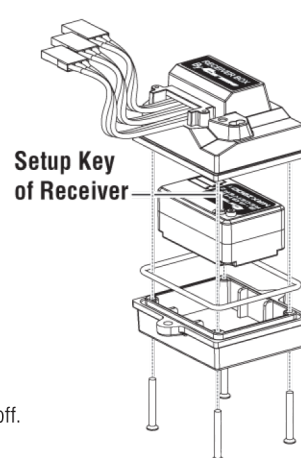
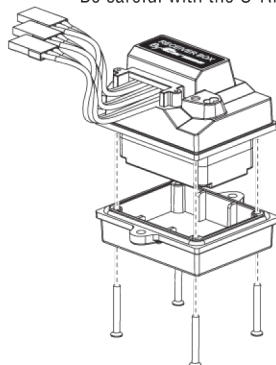
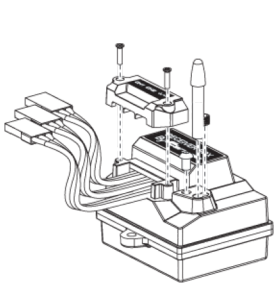
- Wrap the receiver with something soft, such as foam rubber, to avoid vibration. If there is a chance of getting wet, put the receiver in a waterproof bag or balloon.

Synchronization & Frame Rate Adjust

STEP 1 : Remove the connecting wires bracket

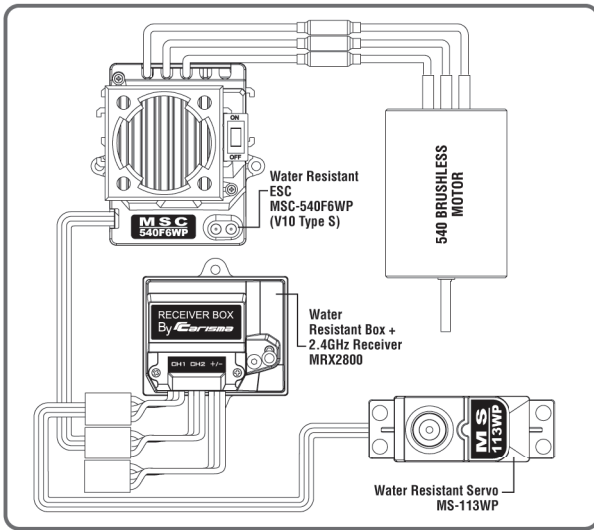
STEP 2 : Separate the housing by removing the mounting screws. Be careful with the O-Ring Seal

STEP 3 : Proceed the binding procedures as described below



1. Release the screw and open the water box.
2. Prior to any operation make sure the transmitter and receiver are both turned off.
3. Press and hold the setup button on the receiver while power on the receiver.
4. Release the setup button till GREEN LED flashes.
5. Press the setup button to select the frame rate with GREEN LED flashing.
Faster Flashing = High frame rate (7ms) for digital servo
Slower Flashing = Low frame rate (15ms) for analogue servo
6. Power on the transmitter. With the transmitter steering wheel and throttle trigger in neutral position (full stop and straight steering), press the SYNC button of the transmitter.
7. When synchronization is done, the GREEN LED on both receiver and transmitter will turn solid ON.

Water Resistant ESC MSC-540F6WP (V10 Type S) Features



ESC Features:

- Water Resistant
- Support Sensorless Brushless Motor ONLY
- Programming by Transmitter during Power up the ESC
- Battery Selection:
 - 7.4V 2 cells LiPo
 - 7.2V NiMH
- TWO ESC profile:
 - Forward / Reverse with Smart Brake
 - Forward Only
- Battery Over Voltage Protection (Max Input voltage = 13V)
- Thermal Protection
- Motor Stall Detection

Battery Type Selection, End Points Calibration & ESC Mode Selection:

- Set the TH end-point travelling to max, and Throttle Trimmer at center position
- Hold the Throttle Trigger at Max Forward/Reverse position and then power on the ESC
- Keep holding the TH at Max Forward/Reverse until beep once and both LED flashing, then release TH to stop position
- Now, ESC at "selecting item to be programmed stage" ESC will display the follow pattern one by one, and then repeat:
 - A. Green LED only - Toggle Battery Type
 - B. Red LED only - End Points calibration
 - C. Red + Green LED - Toggle ESC Mode
- When the throttle is moved to max Fwd/Rev, ESC will execute the setting task:
 - A. Battery Type Selection
 - LED will indicate currently selected battery type, it will be displayed for 4 sec:
 - Solid Red = LiPo
 - Solid Green = NiMH
 - If user pull /pull the TH to max fwd / max rev with 4 sec, ESC will beep once and select another battery type. And ESC will provide another the 4 second time to allow user to select battery type.
 - If after 4 second, user do not pull/push TH, programming will be ended
 - Both LED flashed 3 times with 3 Beep, finally all LED turn OFF
 - User need to power OFF and turn on again to return to normal operation
 - B. End points calibration
 - While waiting TH return to stop, keep flashing Green LED.
 - Once stop position is detected, Green LED solid on for 1 sec and beep once, and then
 - While waiting TH move to max Fwd, keep flashing Red LED, once max Fwd position detected, Red LED solid on for 1 sec and beep once, and then
 - While waiting TH move to max Rev, keep flashing Green LED + Red solid on, once max Rev position detected, Green LED solid on for 1 sec and beep once, and then
 - Both LED flashing 3 times with 3 Beep, finally all LED turn OFF
 - User need to power OFF and turn on again to return to normal operation
 - C. Select ESC Mode
 - LEDs will indicate the currently selected ESC mode:
 - Solid Green LED only = Forward / Reverse with Smart Brake
 - Flashing Green LED only = Forward only
 - User can push/pull TH to select next ESC mode within 4 second
 - Once user push/pull TH, ESC will beep once, and display newly selected ESC mode, and with will start 4 second timer to allow user to select the ESC mode
 - If after 4 second, user do not pull/push TH, programming will be ended
 - Both LED flashed 3 times with 3 Beep, finally all LED turn OFF
 - User need to power OFF and turn on again to return to normal operation

Remark:

- When TH at stop position, the Green LED indicate the current ESC mode:
 - Green LED Solid On = Forward / Reverse with Smart Brake Mode
 - Green LED flashing = Forward Only with Brake

LED Indicator:

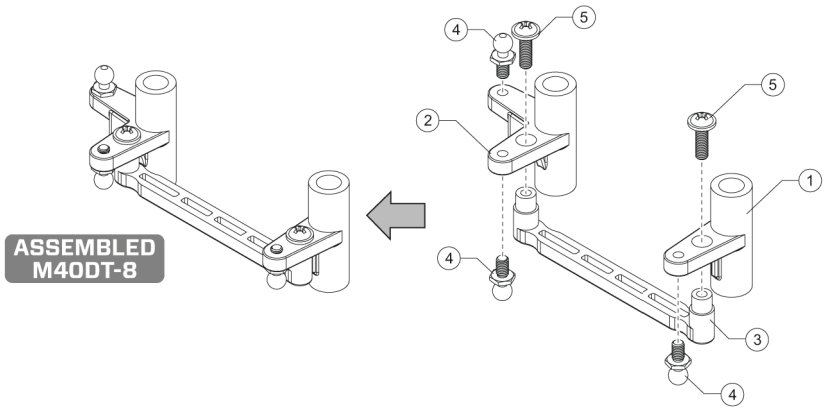
- After Power ON:
 - LED will be flashed for 2 second to indicate the currently selected battery type:
 - Flashing Green: Battery = NiMH
 - Flashing Red: Battery = LiPo
- Normal Operation:
 - Stop: GREEN LED solid ON (Forward/Reverse with Smart Brake)
Flashing GREEN LED (Forward Only with Brake)
 - Forward (NOT Full Speed): All LED OFF
 - Forward (Full Speed): Red LED ON
 - Reversing (NOT Full Speed): All LED OFF
 - Reversing (Full Speed): Green LED ON
 - Brake: RED and GREEN LED solid ON
- Overheat Protection:
 - Alternatively Flashing RED and GREEN LED quickly
- Motor Stall Protection:
 - Flashing RED quickly 3 times, stop for a while and repeat again
- Battery Over Voltage (battery over 13V):
 - RED LED solid ON, Flashing GREEN once per second
- Battery Under Voltage (4.5V for NiMH, 6V for 2 cells LiPo, 9V for 3 cells LiPo):
 - GREEN LED solid ON, Flashing RED once per second

THINGS YOU NEED

7.4V 2 cells LiPo with XT60 Connector or 7.2V NiMH with XT60 Connector. Complimentary XT60 Connectors are included.

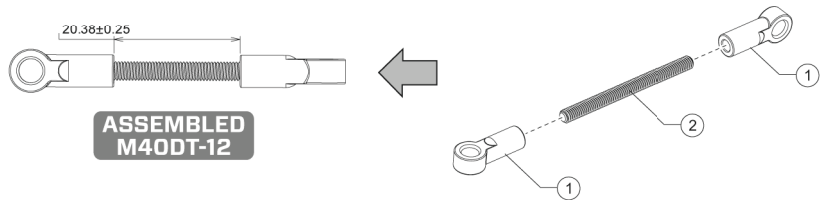
STEERING POST ASSEMBLY

PART NUMBER	DESCRIPTION	QTY	
1	M40P0801-01	LEFT STEERING ARM	1
2	M40P0802-01	RIGHT STEERING ARM	1
3	M40P0805	CENTER DRAG LINK	1
4	MASM013A	4.8 BALL STUD	3
5	SSW-G00196	3x10PWB D7	2



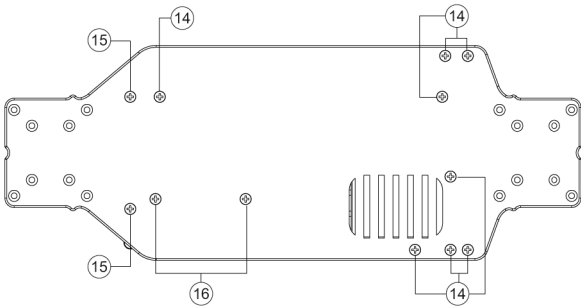
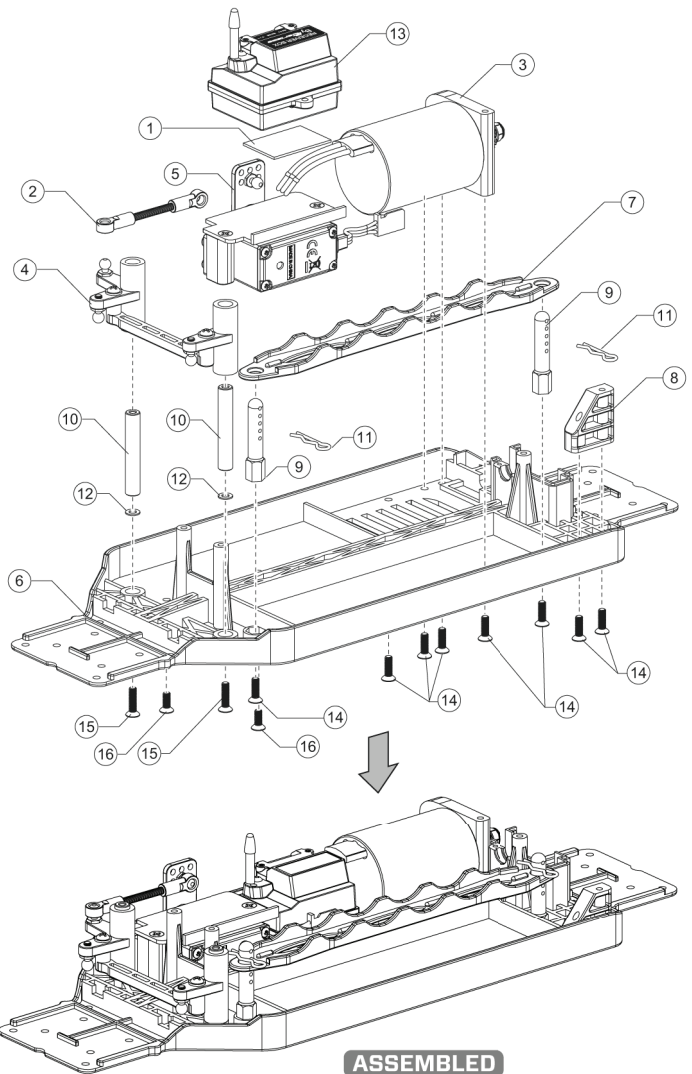
SERVO STEERING TURNBUCKLE ASSEMBLY

PART NUMBER	DESCRIPTION	QTY	
1	M40P1301	LONG BALL CAP	2
2	MASM061A	SCREW ROD 3x36	1

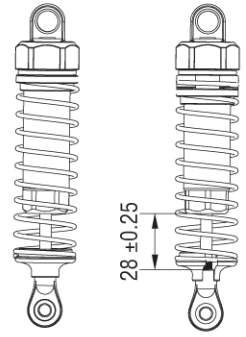
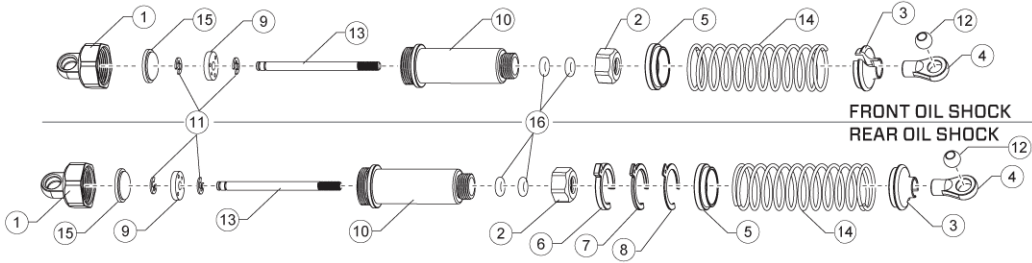


MAIN CHASSIS ASSEMBLY

PART NUMBER	DESCRIPTION	QTY	
1	DCL-G00233	DOUBLE SIDED EVA STICKER	1
2	M40DT-12	SERVO STEERING TURNBUCKLE ASSEMBLY	1
3	M40DT-13	MOTOR ASSEMBLY	1
4	M40DT-8	STEERING POST ASSEMBLY	1
5	M40DT-9	SERVO ASSEMBLY	1
6	M40P0101-01	MAIN CHASSIS	1
7	M40P0503	BATTERY BRACE	1
8	M40P0806	CHASSIS BRACE	1
9	M40P1003	BATTERY POSTS	2
10	MASM012A	STEERING	2
11	MASM032A	BODY CLIP	2
12	MASM212A	WASHER	2
13	MRX2800	WATER RESISTANT BOX + 2.4GHz RECEIVER	1
14	SSW-G00188	3x10KB D5.8	8
15	SSW-G00209	3x12KM D5.8	2
16	SSW-G00281	3x8KB 5.8	2

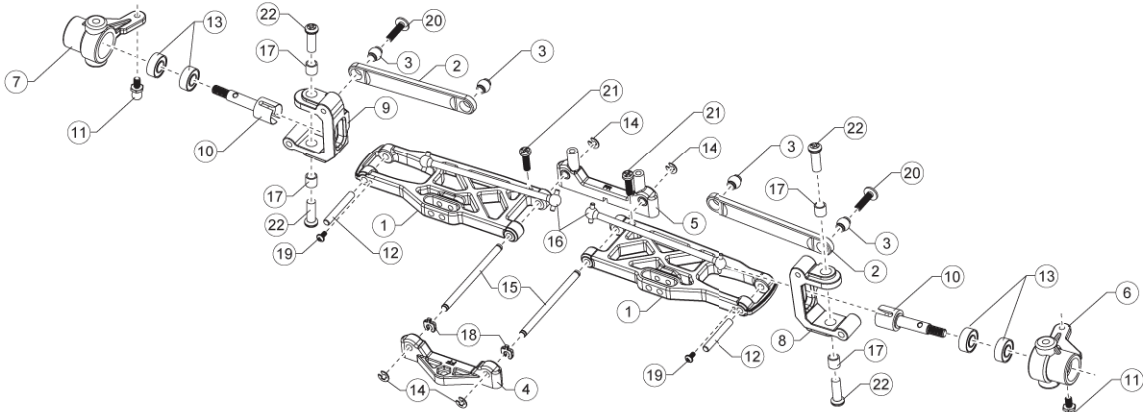


FRONT AND REAR OIL SHOCK ASSEMBLY

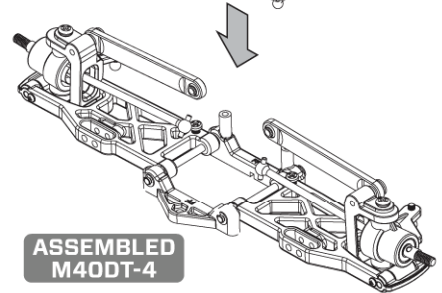


PART NUMBER	DESCRIPTION	QTY	PART NUMBER	DESCRIPTION	QTY		
1	GT14BP1001	SHOCK TOP CAP	2	9	GT14BPPOP0101	OIL SHOCK PISTON 1.3mm	2
2	GT14BP1002-01	SHOCK BOTTOM CAP	2	10	M40BP0301-01	OIL SHOCK BODY	2
3	GT14BP1103-01	SPRING RETAINER LOWER	2	11	MASM053A	E-RING ID2.3 BLACK OXIDE	4
4	GT14BP1104	SHOCK BALL CAP	2	12	MASM204A	5.8 BALL THROUGH(5.79x4.6L)	2
5	GT14BP1105-01	SPRING RETAINER UPPER	2	13	MASM2148A	OIL SHOCK SHAFT	2
6	GT14BP1108	SHOCK ADJUSTMENT CLIP 2mm	1	14	MASM2374A	OIL SHOCK SPRING	2
7	GT14BP1109	SHOCK ADJUSTMENT CLIP 1mm	1	15	RBP-G00010	SHOCK DIAPHRAGM	2
8	GT14BP1110	SHOCK ASDJUSTMENT CLIP 0.5mm	1	16	RBP-G00014	O-RING	4

FRONT SUSPENSION ARMS ASSEMBLY

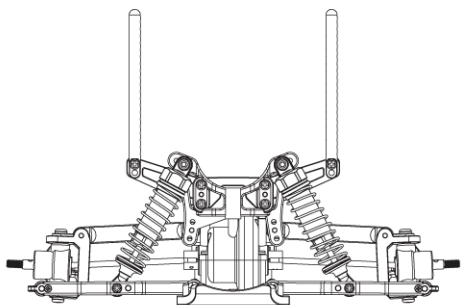


PART NUMBER	DESCRIPTION	QTY	PART NUMBER	DESCRIPTION	QTY		
1	M40BP0103	FRONT SUSPENSION ARMS	2	12	MASM015A	PIN D1/8x22.9	2
2	M40BP0201	FRONT LINKAGE	2	13	MASM034A	BEARING 5x11x4	4
3	M40BP0204	BALL STUD	4	14	MASM053A	E-RING ID2.3 BLACK OXIDE	4
4	M40P0305-03	FF HINGE PIN BRACE	1	15	MASM1724A	PIN D3.175x48.3mm	2
5	M40P0306-03	FR HINGE PIN BRACE	1	16	MASM2145A	DOG BONE	2
6	M40P0401-01	LEFT FRONT SPINDLE	1	17	MASM668A	BUSH RING 4.1x5.3x5.5	4
7	M40P0402-01	RIGHT FRONT SPINDLE	1	18	R14P1111	SPACER 1.5	2
8	M40P0403-01	LEFT HUB CARRIER	1	19	SSW-G00129	2x4PWB D4	2
9	M40P0404-01	RIGHT HUB CARRIER	1	20	SSW-G00210	3x12PWB	2
10	MASM004A	OUTDRIVE	2	21	SSW-G00233	3x11PM	2
11	MASM013A	4.8 BALL STUD	2	22	SSW-G00652	4x11PM D6.5	4

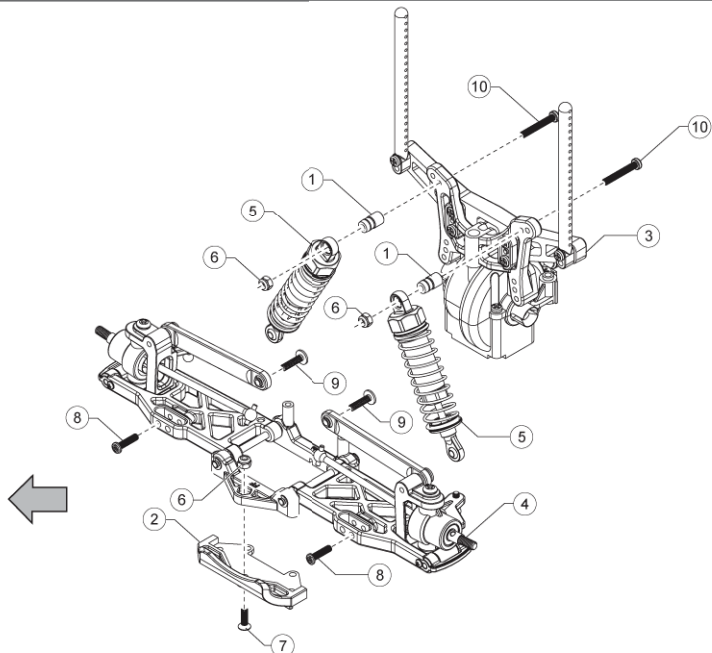


FRONT GEAR BOX AND OIL SHOCK ASSEMBLY

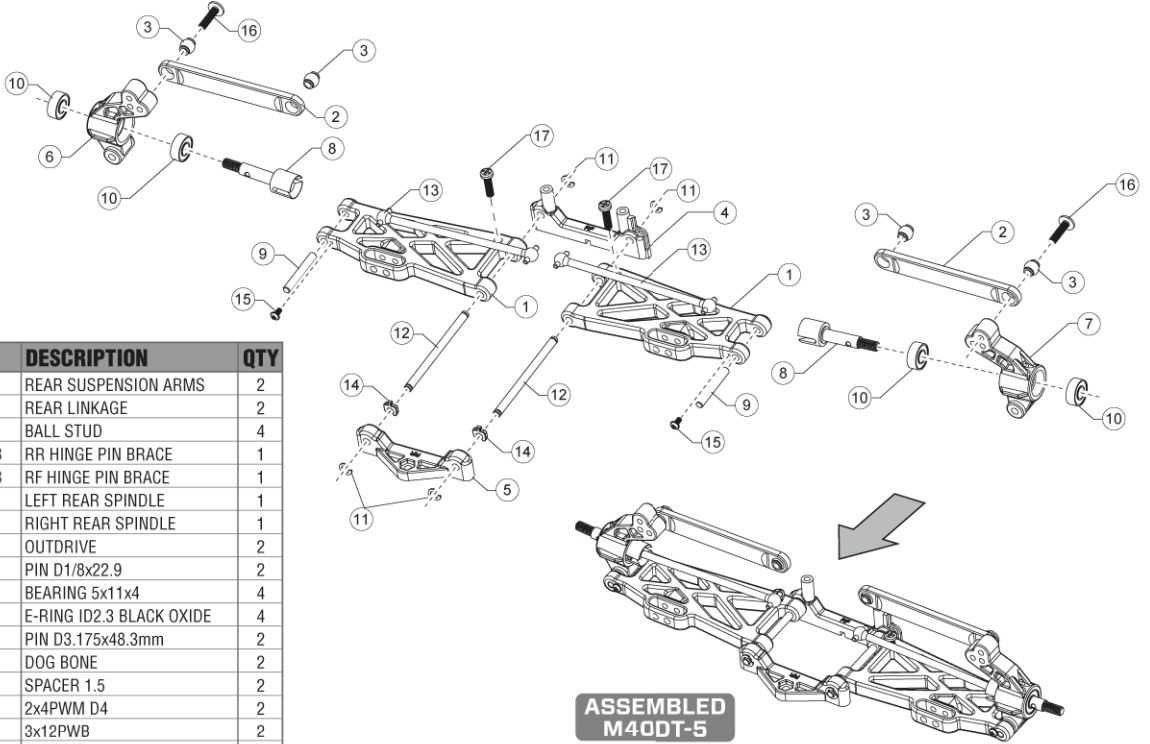
PART NUMBER	DESCRIPTION	QTY	
1	M40BP0102	OIL SHOCK MOUNT	2
2	M40BP0203	FRONT/REAR BUMPER	1
3	M40DT-2	FRONT GEAR BOX ASSEMBLY	1
4	M40DT-4	FRONT SUSPENSION ARMS ASSEMBLY	1
5	M40DT-7	FRONT OIL SHOCK ASSEMBLY	2
6	MASM1168A	M3 SCREW NUT	3
7	SSW-G00190	3x10KM D5.8	1
8	SSW-G00201	3x12BM	2
9	SSW-G00210	3x12PWB	2
10	SSW-G00234	3x20BM D5.2	2



ASSEMBLED



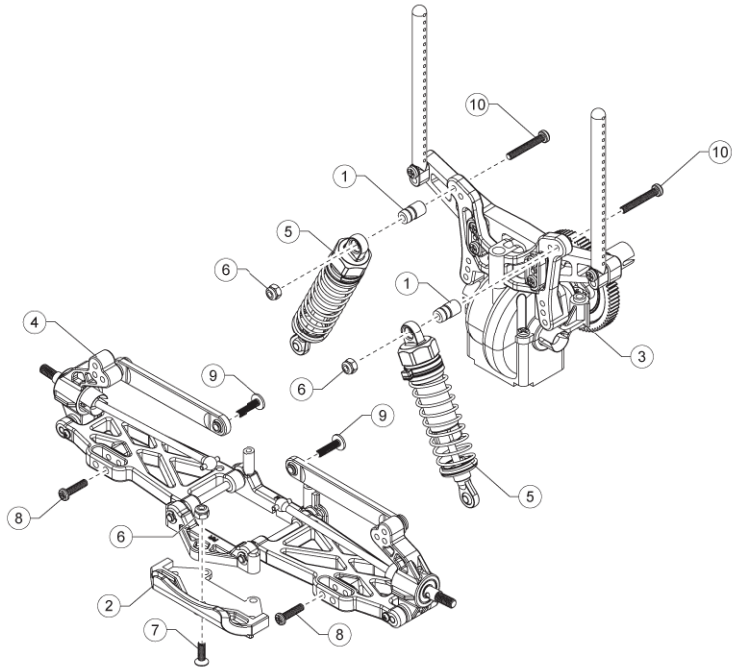
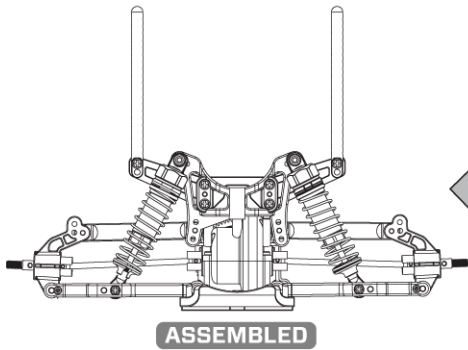
REAR SUSPENSION ARMS ASSEMBLY



PART NUMBER	DESCRIPTION	QTY	
1	M40BP0104	REAR SUSPENSION ARMS	2
2	M40BP0201	REAR LINKAGE	2
3	M40BP0204	BALL STUD	4
4	M40P0307-03	RR HINGE PIN BRACE	1
5	M40P0308-03	RF HINGE PIN BRACE	1
6	M40P0405-01	LEFT REAR SPINDLE	1
7	M40P0406-01	RIGHT REAR SPINDLE	1
8	MASM004A	OUTDRIVE	2
9	MASM015A	PIN D1/8x22.9	2
10	MASM034A	BEARING 5x11x4	4
11	MASM053A	E-RING ID2.3 BLACK OXIDE	4
12	MASM1724A	PIN D3.175x48.3mm	2
13	MASM2145A	DOG BONE	2
14	R14P1111	SPACER 1.5	2
15	SSW-G00129	2x4PWM D4	2
16	SSW-G00210	3x12PWB	2
17	SSW-G00233	3x11PM	2

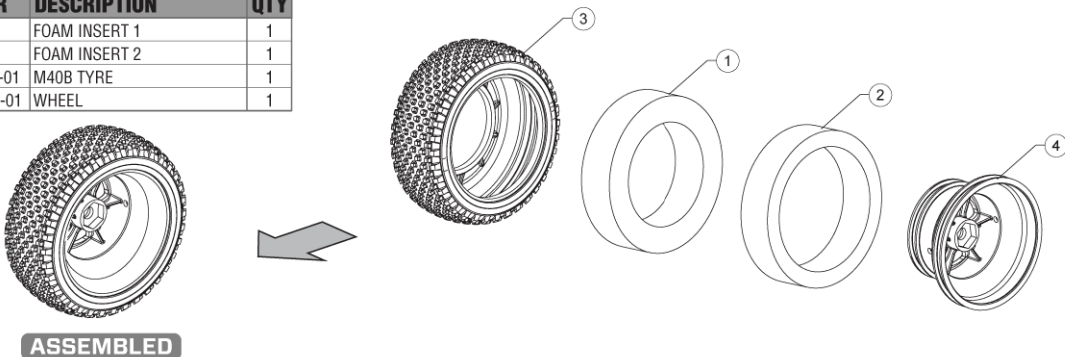
REAR GEAR BOX & OIL SHOCK ASSEMBLY

PART NUMBER	DESCRIPTION	QTY	
1	M40BP0102	OIL SHOCK MOUNT	2
2	M40BP0203	FRONT/REAR BUMPER	1
3	M40DT-3	REAR GEAR BOX ASSEMBLY	1
4	M40DT-5	REAR SUSPENSION ARMS ASSEMBLY	1
5	M40DT-6	REAR OIL SHOCK ASSEMBLY	2
6	MASM1168A	M3 SCREW NUT	3
7	SSW-G00190	3x10KM D5.8	1
8	SSW-G00201	3x12BM	2
9	SSW-G00210	3x12PWB	2
10	SSW-G00234	3x20BM D5.2	2



WHEEL ASSEMBLY

PART NUMBER	DESCRIPTION	QTY	
1	EVA-G00159	FOAM INSERT 1	1
2	EVA-G00160	FOAM INSERT 2	1
3	M40BP0401-01	M40B TYRE	1
4	MASCP0101-01	WHEEL	1



SPARE PARTS LIST

ITEM NO	BARCODE	PRODUCT NAME	PART NO	DESCRIPTION	QTY
14098	4892793140980	M40S MAIN CHASSIS	M40P0101-01	MAIN CHASSIS	1
14099	4892793140997	M40S SERVO SAVER SET	M40P0204	SERVO SAVER HORN	1
			M40P0205	SERVO SAVER HORN BUSH	1
			M40P0207	SAVER	1
			91368P0801	5mm SERVO SAVER	1
			SSW-G00032	2.6x10 PWB	1
14103	4892793141031	M40S STEERING HUB SET	M40P0401-01	LEFT FRONT SPINDLE	1
			M40P0402-01	RIGHT FRONT SPINDLE	1
			M40P0403-01	LEFT HUB CARRIER	1
			M40P0404-01	RIGHT HUB CARRIER	1
14104	4892793141048	M40S REAR UPRIGHT SET	M40P0405-01	LEFT REAR SPINDLE	1
			M40P0406-01	RIGHT REAR SPINDLE	1
14106	4892793141062	M40S UPPER DECK + CHASSIS BRACE + MOTOR MOUNT	M40P0203-02	UPPER DECK	1
			M40P0806	CHASSIS BRACE	1
			M40P0701	MOTOR MOUNT	1
14111	4892793141116	M40S BATTERY BRACE SET	M40P0503	BATTERY BRACE	1
			M40P1003	BATTERY POST	2
14112	4892793141123	M40S SUSPENSION PIN SET	MASM1724A	PIN D3.175 X 48.3mm	2
14114	4892793141147	M40S STEERING POST SET	M40P0801-01	LEFT STEERING ARM	1
			M40P0802-01	RIGHT STEERING ARM	1
			M40P0805	STEERING LINKAGE	1
			SSW-G00196	SERVO SCREW ROD 3x10PB	2
14132	4892793141321	M40S OUTDRIVE	MASM004A	OUTDRIVE	4
14136	4892793141369	M40S PINION GEAR 20T + M3 SCREW SET	MASM059A	PINION GEAR 20T	1
			MASM038A	M3x3 SCREW	1
14139	4892793141390	M40S SPUR GEAR 72T	M40P0905-01	SPUR GEAR 72T	1
14834	4892793148344	BODY POST SET	M40P1004	BODY POST	4
14985	4892793149853	M40B WHEELS AND TYRE SET (PAIR)	MAT-010-TA-00002	M40B WHEELS AND TYRE SET	2
14986	4892793149860	M40B WHEEL HEX	M40P0209	WHEEL HEX	4
			MASM017A	PIN D2x10	4
14987	4892793149877	M40B PLASTIC OIL SHOCK SET	MAT-010-SA-00004	FRONT OIL SHOCK	2
			MAT-010-SA-00005	REAR OIL SHOCK	2
14989	4892793149891	M40B / M40DT GEAR BOX DUST COVER	M40P0208	GEAR BOX DUST COVER	1
14990	4892793149907	M40B SHOCK TOWER SET	M40BP0101	SHOCK TOWER	2
			M40BP0102	SHOCK TOWER MOUNT	4
14991	4892793149914	M40B / M40DT SUSPENSION ARMS (FRONT & REAR) SET	M40BP0103	FRONT SUSPENSION ARMS	2
			M40BP0104	REAR SUSPENSION ARMS	2
14992	4892793149921	M40B DOG BONE(PAIR)	MASM2145A	DOG BONE	2
14993	4892793149938	M40B SLIPPER PINION SET	MASM1011A	M4 LOCKNUT	1
			MASM2141A	SLIPPING SHAFT	1
			MASM2146A	PINION GEAR 20T	1
			MASM2161A	RING	1
			MASM716A	WAVE WASHER	2
			MASM889A	RING	1
			MASM038A	M3x3 SCREW	1
14994	4892793149945	M40B HINGE PIN BRACE	M40P0305-02	FF HINGE PIN BRACE	1
			M40P0306-02	FR HINGE PIN BRACE	1
			M40P0307-02	RR HINGE PIN BRACE	1
			M40P0308-02	RF HINGE PIN BRACE	1
14998	4892793149983	M40B / M40DT PLASTIC LINKAGE SET	M40BP0201	FRONT LINKAGE	4
			M40BP0202	STEERING LINKAGE	2
			M40P1301	LONG BALL CAP	2
			MASM061A	SCREW ROD 3x36	1
15000	4892793150002	M40B / M40DT BEARING SET	MASM033A	BEARING 8x12x3.5mm	4
			MASM035A	BEARING 4x10x3mm	5
			MASM034A	BEARING 5x11x4mm	8
15001	4892793150019	M40B WASHER SET	MASM667A	BUSH RING 4.1x5.3x2	2
			MASM346A	RING	1
			MASM1185A	SPRING WASHER	2
			MASM212A	RING	4
			MASM2161A	RING	1
			MASM716A	WAVE WASHER	2
			MASM889A	RING	1
			MASM668A	BUSH RING 4.1x5.3x5.5	4
R14P1111	SPACER 1.5	4			
15002	4892793150026	M40B LOCKNUT SET	MASM1168A	M3 SCREW NUT	6
			MASM1011A	M4 SCREW NUT	4
15003	4892793150033	M40B BALL STUD SET	MASM013A	4.8 BALL STUD	6
			M40BP0204	BALL STUD	8
			MASM204A	5.8 BALL STUD	4

SPARE PARTS LIST

ITEM NO	BARCODE	PRODUCT NAME	PART NO	DESCRIPTION	QTY
15010	4892793150101	M40DT BUMPER / BRACE SET	M40DTP0101	M40DT FRONT BUMPER	1
			M40DTP0102	M40DT REAR BUMPER	1
			M40DTP0201	M40DT FRONT BUMPER BRACE	1
			M40DTP0203	M40DT REAR BUMPER BRACE	1
15011	4892793150118	M40DT LIGHT CUPS SET	M40DTP0301SV	FRONT LIGHT COVER	4
			M40DTP0302	FRONT LIGHT CUP	1
			M40DTP0303SV	ROOF LIGHT COVER	6
			M40DTP0304	ROOF LIGHT CUP	1
			M40DTP0401	FRONT LIGHT CLEAR COVER	4
			M40DTP0402	ROOF LIGHT CLEAR COVER	6
			SSW-G00066	2.6x6PWB D7	4
			SSW-G00158	2x8PB D3.5	5
15012	4892793150125	M40DT CLEAR BODY	M40DTB0101	M40DT CLEAR BODY	1
			DCL-G00967	M40DT MASKING SHEET	1
			DCC-G00284	M40DT STICKER SHEET	1
			DCL-G00318	CARISMA LOGO SHEET	1
15013	4892793150132	M40DT BODY POST BRACKET SET	M40DTP0202	M40DT BODY POSTS BRACKET	2
15014	4892793150149	M40DT STICKER SHEET	DCC-G00284	M40DT STICKER SHEET	1
15015	4892793150156	M40 SERIES METAL MAIN DRIVE SHAFT	MASM2309A	M40 SERIES MAIN CENTER DRIVE SHAFT	1
15016	4892793150163	M40DT PAINTED + DECORATED BODY	M40DTB0101BK	M40DT PAINTED AND DECORATED BODY	1
			DCL-G00967	M40DT MASKING SHEET	1
			DCC-G00284	M40DT STICKER SHEET	1
			DCL-G00318	CARISMA LOGO SHEET	1
			MASM032A	BODY CLIPS	4
15017	4892793150170	M40DT MAIN DRIVE CUP SET	MASM2277A	M40DT DRIVE CUP	2
15018	4892793150187	M40 SERIES INPUT SHAFT HARDWARE SET FOR METAL DIFFERENTIAL GEAR	M40P0705	GEAR ADAPTOR	1
			MASM2278A	SLIPPER SHAFT	1
			MASM011A	LOCK PIN	1
			MASM038A	M3x3 SCREW	2
			SSW-G00265	3x6BB SCREW	4
			MASM2276A	BEVEL PINION	1
15019	4892793150194	M40DT HARDWARE SET	SSW-G00032	2.6x10PWB	1
			SSW-G00066	2.6x6PWB D7	4
			SSW-G00081	2.6x8PB D4.2	2
			SSW-G00106	2x10KM D3.5	2
			SSW-G00129	2x4PWM D4	2
			SSW-G00140	2x5PB D3.5	1
			SSW-G00156	2x8KB D3.4	6
			SSW-G00158	2x8PB D3.5	1
			SSW-G00188	3x10KB D5.8	12
			SSW-G00190	3x10KM D5.8	2
			SSW-G00192	3x10PB D5.2	29
			SSW-G00193	3x10PM D5.2	2
			SSW-G00196	3x10PWB D7	2
			SSW-G00201	3x12BM	2
			SSW-G00205	3x12PB D5.2	4
			SSW-G00207	3x12KB D5.8	4
			SSW-G00209	3x12KM D5.8	2
			SSW-G00210	3x12PWB	8
			SSW-G00233	3x11PM	2
			SSW-G00234	3x20BM D5.2	4
			SSW-G00235	3x10PB	4
			SSW-G00267	3x6KB D5.2	2
			SSW-G00272	3x6PB D5.2	4
SSW-G00279	3x8KM D5.8	4			
SSW-G00281	3x8KB 5.8	2			
SSW-G00300	4x9PM D6.5	4			
SSW-G00376	2x10KB	2			
SSW-G00677	3x14KB D5.8	8			
15020	4892793150200	M40DT / M10DT / M48S GEAR DIFF. SEAL SHEET	SPC-G00009	DIFF. SEAL	2
15024	4892793150248	M40 SERIES METAL DIFFERENTIAL GEAR BOX ASSEMBLED	MAT-SPT-AS-15024(F)	FRONT METAL DIFF GEAR ASSEMBLED	1
			MAT-SPT-AS-15024(R)	REAR METAL DIFF GEAR ASSEMBLED	1
			MASM2277A	CENTRE DRIVE CUP	2
			MASM038A	M3 SCREW SET	2
			MASM2276A	INPUT SHAFT	1
			MASM667A	RING 4.1x5.2x2	2
			MASM2278A	SLIPPER SHAFT	1
			MASM011A	PIN D1.5 x 8mm	1
			MASM2217A	15T BEVEL PINION	2
			SSW-G00106	SCREW 2x10KM	2



Visit Us on www.carisma.com.hk

©2013 Carisma. All Rights Reserved. Product specifications are subject to change. Some models shown are prototypes which may vary slightly from what is inside.

