

Carisma®

DIGITAL PROPORTIONAL RADIO CONTROL MODELS



DIMENSION

SCALE : 1/10

HEIGHT : 220mm

TYRE : Ø110mm x 45mm(width)

LENGTH : 481mm

WIDTH : 313mm

WHEELBASE : 321mm

**CAR BATTERY
NOT INCLUDED**

MIDWAY INSTRUCTION MANUAL

10TH SCALE 2WD CHASSIS

OFF-ROAD
CHASSIS

2.4GHZ

2WD
TRUCK SPEED DRIVE

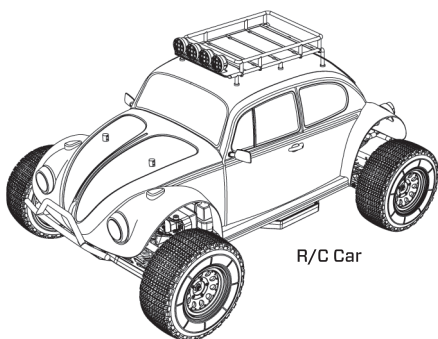
BRUSHLESS
POWER

FMD
FULL METAL
DIFFERENTIAL

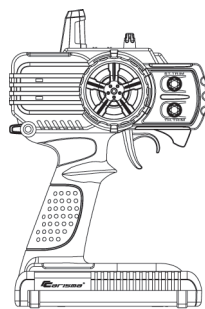
WR
WATER
RESISTANT

RS
READY SET

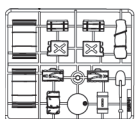
WHAT'S IN THE BOX



R/C Car



Transmitter



Decorative Parts



XT60 Connector



Hex Wrench



4 x AA Batteries



Wrench

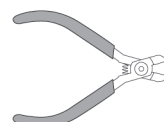
TOOLS RECOMMENDED(NOT INCLUDED)



Long Nose Pliers



Screwdriver
(Small)



Nippers



Screwdriver
(Large)



Soft Brush



Hex Driver

SAFETY PRECAUTIONS

SAFETY PRECAUTIONS

THIS MODEL IS ONLY SUITABLE FOR PEOPLE 14 YEARS OLD AND UP.

THIS RADIO CONTROL MODEL IS NOT A TOY.

Beginner should seek advice from experienced person in order to assemble the model or parts correctly and to make best performance.

* Assemble this model or parts only in place out of children's reach, and take safe precautions before operating this model. User is fully responsible for the model assembly and safe operations.

Introduction

This is a sophisticated hobby product and not a toy. It must be operated with caution and common sense. User also requires some basic mechanical abilities. Fail to operate this product in a safe and responsible manner could result in injury or do damage to the product or other properties. This product is not intended for use by children without direct adult supervision. The product manual contains instructions for safe operation and maintenance. It is essential to read and follow all the instructions and warnings in the manual prior to assembly, setup or use, in order to operate correctly and avoid damage or injury.

Safety, Precautions, and Warnings

As the user of this product, you are solely responsible for operating it in a manner that does not endanger yourself and others or result in damage to the product or the property of others.

This model is controlled by a radio signal that is subject to interference from many sources outside your control. This interference can cause momentary loss of control so it is necessary to always keep a safe distance in all directions around your model, as this will help to avoid collisions or injury.

- Always operate your model in an open area away from cars, traffic, or people.
- Avoid operating your model on the street where injury or damage can occur.
- Never operate the model out into the street or populated areas for any reason.
- Never operate your model with low transmitter batteries.
- Carefully follow the directions and warnings for this product and any optional support equipments (chargers, rechargeable battery packs, etc.) that you use.
- Keep all chemicals, small parts and anything electrical out of the reach of children.
- Moisture causes damage to electronics. Avoid water exposure to all equipments not specifically designed and protected for this purpose.

CE Compliance Information For The European Union

The associated regulatory agencies of the following countries recognize the noted certifications for this product as authorized for sale and use.

UK	DE	DK	BG	SE	CZ	ES	NL	SK	HU	RO	FR	PT
FI	EE	LV	LT	PL	AT	CY	SI	GR	MT	IT	IE	LU

Declaration of Conformity

Products: Carisma CTX-2710 2.4GHz Transmitter, MRX2800 Receiver

Equipment Class: 2

The objects of declaration described above are in conformity with the requirements of the specifications listed below.

Item Name : Carisma CTX-2710 2.4GHz Transmitter and MRX2800 Receiver

ETSI EN 300 328 V1.7.1:2006

ETSI EN 301 489-1 V1.8.1:2008

EN 301 489-17 V2.1.1:2009

EN 50371:2002

Directive 1999/5/EC (R&TTE)

Article 3.1a Health

Article 3.1b EMC

Article 3.2 Radio Spectrum

FCC ID YDTMTM27HP

Statement - This device complies with Part 15 of the FCC Rules.

Operation is subject to the following two conditions:

(1) this device may not cause harmful interference, and

(2) this device must accept any interference received, including interference that may cause undesired operation.

Changes or modifications not expressly approved by the party responsible for compliance could void the user's authority to operate the equipment.

RF Exposure Warning:

This equipment complies with FCC radiation exposure limits set forth for an uncontrolled environment.

And should be operated with minimum distance of 20 cm between the antenna & your body.



Item Name : MSC-540F6WP Electronic Speed Controller

EN 61000-6-3: 2007+A1:2011

EN 61000-6-1: 2007

Item Name : MS-113WP Servo

EN 55014-1:2006+A1:2009

EN 55014-2:1997+A1:2001+A2:2008

Manufactured By : Mun Ah Plastic Electronic Toys Company.,Ltd

ABOUT THE RADIO SYSTEM

Carisma CTX-2710 2.4GHz FHSS Technology System

The following is an overview of the various functions and adjustments found on CTX-2710 radio system for Carisma models. It is important to read and understand about all of these functions and adjustments before driving.

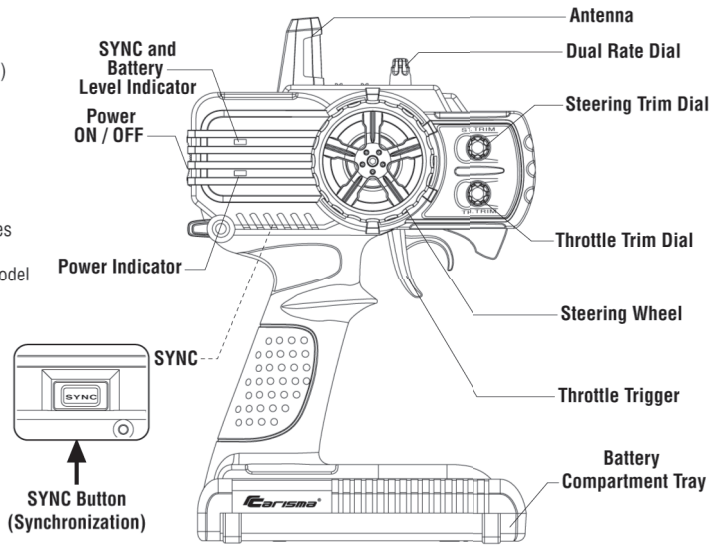
Function

The Transmitter CTX-2710

- Steering Wheel :** Control direction (Left / Right) of the RC model.
- Throttle Trigger :** Control speed and direction (Forward/Brake/Backward) of the driving model.
- Antenna :** Transmit signal to the model.
- Power ON / OFF :** Power ON / OFF the transmitter
- SYNC & Battery Indicator :** Top Green LED light indicates synchronization status and/or adequate battery power supply.
- Power Indicator :** Bottom Red LED light indicates power "ON".
- Dual Rate Dial :** Adjust the same maximum steering angle on both sides when model turns Left / Right
- ST. Trim Dial :** Adjust the neutral position of steering servo when model wheels are straight ahead.
- TH. Trim Dial :** Make sure the model stays still when releasing the throttle trigger.

Battery Compartment Tray : Cover and hold the batteries powering the transmitter.

* In general, user will experience under steer when making a wide turn at high speed or over steer when making sharp turn at high speed (easy to spin out). User should practice the throttle and steering approach for different cornering at different speed or road surface.



Battery Installation

Supplied with 4 x 1.5V AA Batteries, CTX-2710 can be operated a few hours. Installation: Remove the battery compartment cover as shown below.

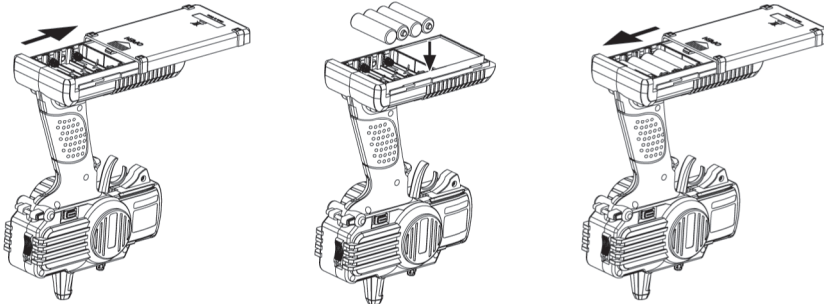
Install the batteries observing the polarity marked on battery compartment.

Then reinstall the battery compartment cover as the Picture shown below.

Warning : Never disassemble batteries or put the batteries in fire, chemical agents, otherwise they may cause personal injuries or property damages.

Battery Disposal : Observe corresponding regulations about wasted battery treatment regulations.

1. After running out of power, dispose of wasted batteries in designated areas far away from water supply, household areas and planted areas.
2. Submit the wasted batteries to specific recycling stations.

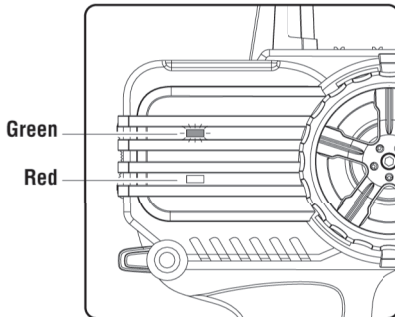


Battery LED Indicator

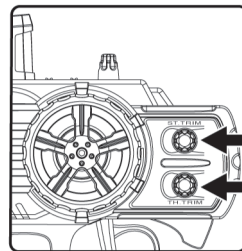
The Green LED indicator located on the front left side of the transmitter indicates the power supply of batteries. The green LED will go solid on indicating that the batteries have sufficient power. When batteries voltage drops below 4 volts, the Green LED will flash, indicating the batteries power is low and should be replaced.

Solid Green :
Sufficient Power supply

Flashing :
Time to replace batteries



Pre-Run Check

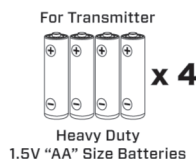


1. Steering : Adjust the steering trim to keep the front wheels in straight line when steering wheel remains in NEUTRAL position.
2. Throttle : Adjust the throttle trim to ensure the rear wheels stop rotating when throttle trigger remains in NEUTRAL position.

* Always turn on the transmitter first by sliding the switch on the left side from bottom to top. The small red and green lights above the switch should both light up. If not, you need to check for low or incorrectly installed batteries.

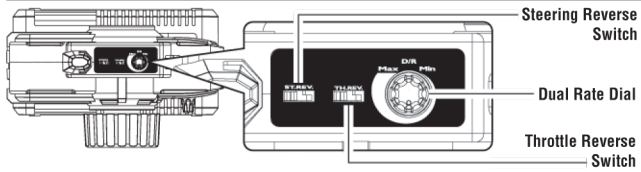
Instructions for Disposal of WEEE by Users in the European Union

This product must never be thrown away with other waste. Thus the users are liable for disposing the wasted model by submitting them to designated collection stations specific for recycling electronic and electric items. Disposing of the wasted model in this way is helpful to conserve natural resources and enable to keep human health and protect the environment. For more information about wasted model disposal and recycling, please contact your local city office, your disposal service or where you purchased the product.



ABOUT THE RADIO SYSTEM

Top Control Panel



Reversing

Reversing is used to change the response direction of steering wheel and throttle trigger. CTX-2710 Transmitter features 2 reversing functions: Steering Reverse and Throttle Reverse.

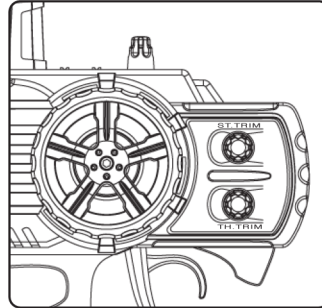
Steering Reverse: Reverse the response direction when operating steering wheel. Turning left steering wheel, the model turns right while turning right the model turns left.

Throttle Reverse: Reverse the response direction when operating throttle trigger. Pushing forward throttle trigger the model moves backward while pulling back, the model moves forward. If necessary you can just use a small screwdriver to adjust the or responding switches.

Dual Rate Dial

Dual Rate Dial enables to adjust the same maximum steering angle of servo on both sides (Left and Right) when model makes steering. The Dual Rate Dial affects the sensitivity of servo. Reducing dual rate value can lower the sensitivity of servo and reduce the same maximum steering angle on both sides. Remember to adjust the dual rate value within the adjustment range.

Trimming



CTX-2710 features two trimming functions: Steering Trim and Throttle Trim.

Steering Trim Dial :

Adjust the neutral position of steering servo when the wheels are straight ahead. Normally steering trim is adjusted until the model can keep straight tracks.

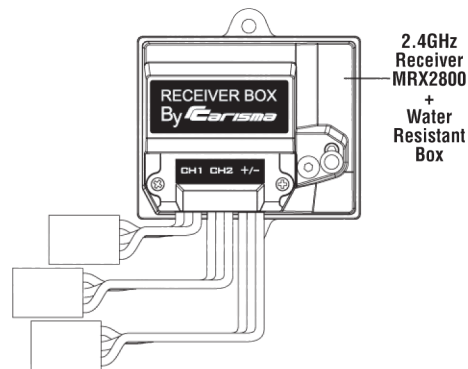
Throttle Trim Dial :

Adjust neutral position of throttle servo. Make sure the model stays still when releasing the throttle trigger.

RECEIVER CONNECTION AND INSTALLATION

Carisma 2.4GHz Receiver MRX2800 + Water Resistant Box

This product comes with the Transmitter and the Receiver Pre-Binded for immediate operation. In the event that you need to Re-Bind the Transmitter and Receiver. Please follow this procedure to access the Receiver Bind button from the Water Resistant Housing.



CH1 - Steering Port : Where to plug in the servo.

CH2 - Throttle Port : Where to plug in the Electronic Speed Controller (ESC).

+/- - Auxiliary Port (Reserved)

WARNING :

- Never bend the metal pins on the PCB of receiver.
- Never cut the antenna cable.
- Install the antenna vertically as shown in the figure.
- Keep the antenna as far away from the motor, ESC and other noise sources as you possibly can.

TIPS :

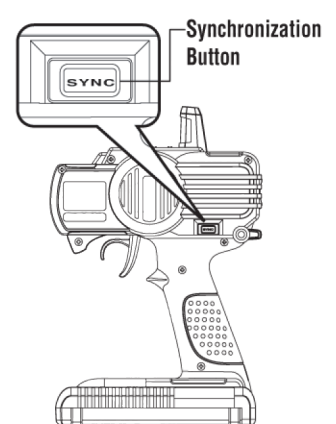
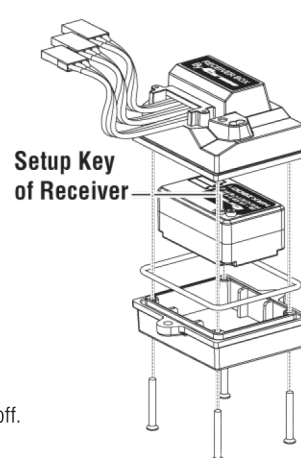
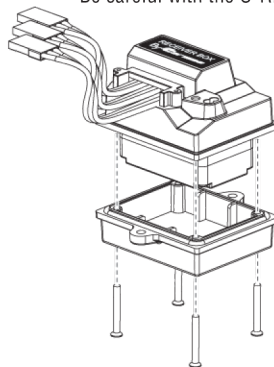
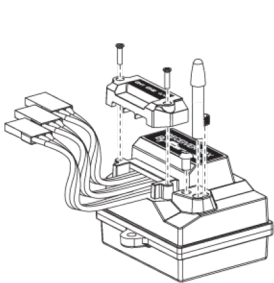
- Wrap the receiver with something soft, such as foam rubber, to avoid vibration. If there is a chance of getting wet, put the receiver in a waterproof bag or balloon.

Synchronization & Frame Rate Adjust

STEP 1 : Remove the connecting wires bracket

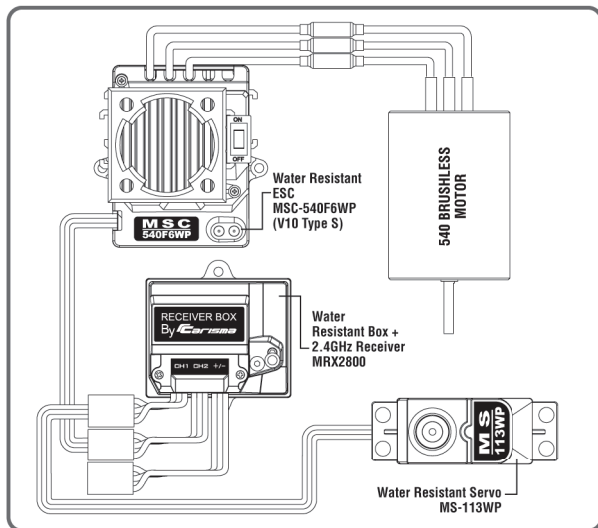
STEP 2 : Separate the housing by removing the mounting screws. Be careful with the O-Ring Seal

STEP 3 : Proceed the binding procedures as described below



1. Release the screw and open the water box.
2. Prior to any operation make sure the transmitter and receiver are both turned off.
3. Press and hold the setup button on the receiver while power on the receiver.
4. Release the setup button till GREEN LED flashes.
5. Press the setup button to select the frame rate with GREEN LED flashing.
Faster Flashing = High frame rate (7ms) for digital servo
Slower Flashing = Low frame rate (15ms) for analogue servo
6. Power on the transmitter. With the transmitter steering wheel and throttle trigger in neutral position (full stop and straight steering), press the SYNC button of the transmitter.
7. When synchronization is done, the GREEN LED on both receiver and transmitter will turn solid ON.

Water Resistant ESC MSC-540F6WP (V10 Type S) Features



ESC Features:

- Water Resistant
- Support Sensorless Brushless Motor ONLY
- Programming by Transmitter during Power up the ESC
- Battery Selection:
 - 7.4V 2 cells LiPo
 - 7.2V NiMH
- TWO ESC profile:
 - Forward / Reverse with Smart Brake
 - Forward Only
- Battery Over Voltage Protection (Max Input voltage = 13V)
- Thermal Protection
- Motor Stall Detection

Battery Type Selection, End Points Calibration & ESC Mode Selection:

- Set the TH end-point travelling to max, and Throttle Trimmer at center position
- Hold the Throttle Trigger at Max Forward/Reverse position and then power on the ESC
- Keep holding the TH at Max Forward/Reverse until beep once and both LED flashing, then release TH to stop position
- Now, ESC at "selecting item to be programmed stage" ESC will display the follow pattern one by one, and then repeat:
 - A. Green LED only - Toggle Battery Type
 - B. Red LED only - End Points calibration
 - C. Red + Green LED - Toggle ESC Mode
- When the throttle is moved to max Fwd/Rev, ESC will execute the setting task:
 - A. Battery Type Selection
 - LED will indicate currently selected battery type, it will be displayed for 4 sec:
 - Solid Red = LiPo
 - Solid Green = NiMH
 - If user pull /pull the TH to max fwd / max rev with 4 sec, ESC will beep once and select another battery type. And ESC will provide another the 4 second time to allow user to select battery type.
 - If after 4 second, user do not pull/push TH, programming will be ended
 - Both LED flashed 3 times with 3 Beep, finally all LED turn OFF
 - User need to power OFF and turn on again to return to normal operation
 - B. End points calibration
 - While waiting TH return to stop, keep flashing Green LED.
 - Once stop position is detected, Green LED solid on for 1 sec and beep once, and then
 - While waiting TH move to max Fwd, keep flashing Red LED, once max Fwd position detected, Red LED solid on for 1 sec and beep once, and then
 - While waiting TH move to max Rev, keep flashing Green LED + Red solid on, once max Rev position detected, Green LED solid on for 1 sec and beep once, and then
 - Both LED flashing 3 times with 3 Beep, finally all LED turn OFF
 - User need to power OFF and turn on again to return to normal operation
 - C. Select ESC Mode
 - LEDs will indicate the currently selected ESC mode:
 - Solid Green LED only = Forward / Reverse with Smart Brake
 - Flashing Green LED only = Forward only
 - User can push/pull TH to select next ESC mode within 4 second
 - Once user push/pull TH, ESC will beep once, and display newly selected ESC mode, and with will start 4 second timer to allow user to select the ESC mode
 - If after 4 second, user do not pull/push TH, programming will be ended
 - Both LED flashed 3 times with 3 Beep, finally all LED turn OFF
 - User need to power OFF and turn on again to return to normal operation

Remark:

- When TH at stop position, the Green LED indicate the current ESC mode:
 - Green LED Solid On = Forward / Reverse with Smart Brake Mode
 - Green LED flashing = Forward Only with Brake

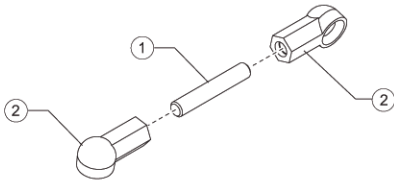
LED Indicator:

- After Power ON:
 - LED will be flashed for 2 second to indicate the currently selected battery type:
 - Flashing Green: Battery = NiMH
 - Flashing Red: Battery = LiPo
- Normal Operation:
 - Stop: GREEN LED solid ON (Forward/Reverse with Smart Brake)
Flashing GREEN LED (Forward Only with Brake)
 - Forward (NOT Full Speed): All LED OFF
 - Forward (Full Speed): Red LED ON
 - Reversing (NOT Full Speed): All LED OFF
 - Reversing (Full Speed): Green LED ON
 - Brake: RED and GREEN LED solid ON
- Overheat Protection:
 - Alternatively Flashing RED and GREEN LED quickly
- Motor Stall Protection:
 - Flashing RED quickly 3 times, stop for a while and repeat again
- Battery Over Voltage (battery over 13V):
 - RED LED solid ON, Flashing GREEN once per second
- Battery Under Voltage (4.5V for NiMH, 6V for 2 cells LiPo, 9V for 3 cells LiPo):
 - GREEN LED solid ON, Flashing RED once per second

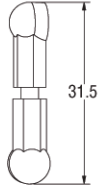
THINGS YOU NEED

7.4V 2 cells LiPo with XT60 Connector or 7.2V NiMH with XT60 Connector. Complimentary XT60 Connectors are included.

SERVO STEERING TURNBUCKLE

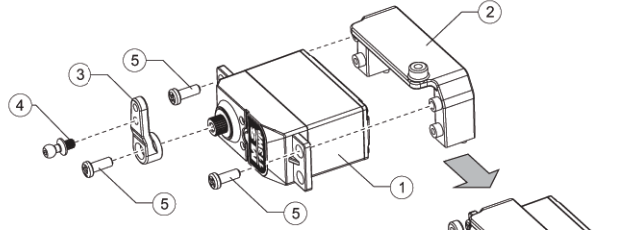


PART NUMBER	DESCRIPTION	QTY
1	MASM394A SERVO THREAD ROD	1
2	M10DTP0605 BALL CUP	2



ASSEMBLED M10DT-01

SERVO SAVER EXPLODED DIAGRAM

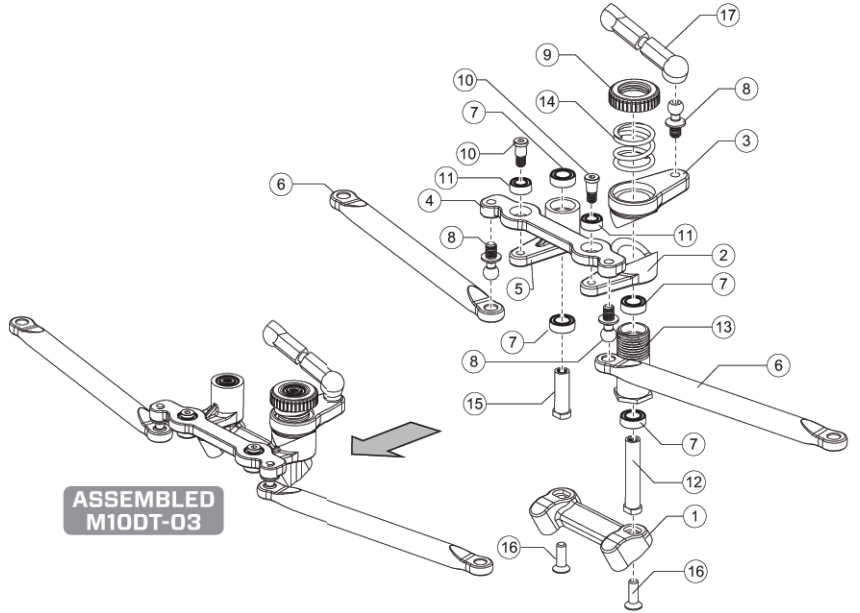


PART NUMBER	DESCRIPTION	QTY
1	MS-113WP WATER RESISTANT SERVO	1
2	M10DTP0701 SERVO MOUNT	1
3	M10DTP0709 SERVO ARM 25T	1
4	MASM1803A 4.3mm BALL	1
5	SSW-G00285 3x8PB (D=5.2mm)	3

ASSEMBLED M10DT-02

STEERING POST ASSEMBLY

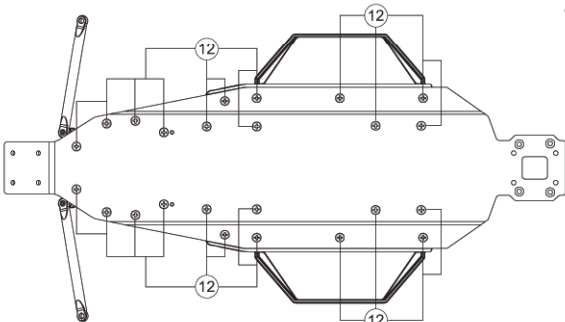
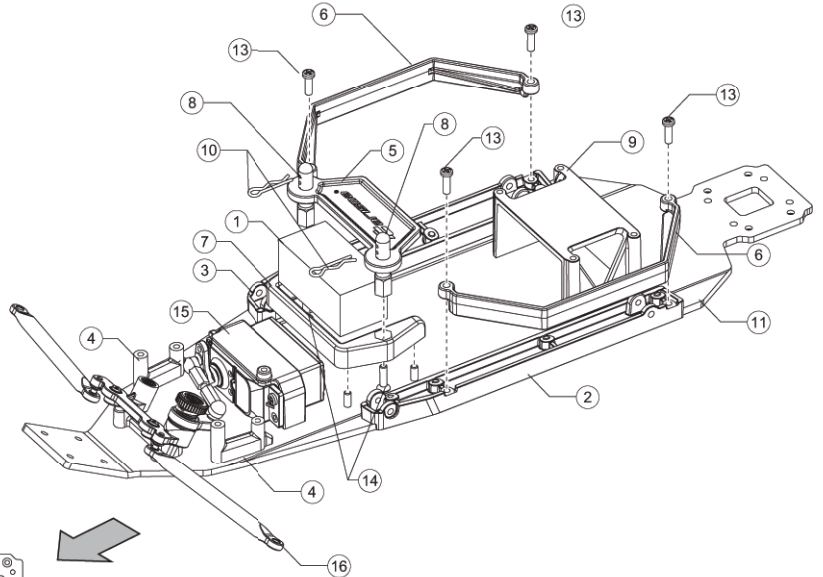
PART NUMBER	DESCRIPTION	QTY
1	M10DTP0503 STEERING MOUNT	1
2	M10DTP0504 LEFT STEERING ARM	1
3	M10DTP0505 SERVO SAVER	1
4	M10DTP0506 CENTRE DRAG LINK	1
5	M10DTP0507 RIGHT STEERING ARM	1
6	M10DTP0603 STEERING LINKAGE	2
7	MASM083A BEARING 4x7x2.5mm	4
8	MASM1803A 4.3mm BALL	3
9	MASM2006A SERVO SAVER ADJUSTER	1
10	MASM2027A STEP SCREW	2
11	MASM202A BEARING 3x6x2.5mm	2
12	MASM2137A LEFT STEERING POST SHAFT	1
13	MASM2139A STEERING POST	1
14	MASM2140A SERVO SAVER SPRING	1
15	MASM2268A RIGHT STEERING POST SHAFT	1
16	SSW-G00361 2.6x8KM	2
17	M10DT-01 SERVO STEERING TURNBUCKLE	1



ASSEMBLED M10DT-03

MAIN CHASSIS ASSEMBLY

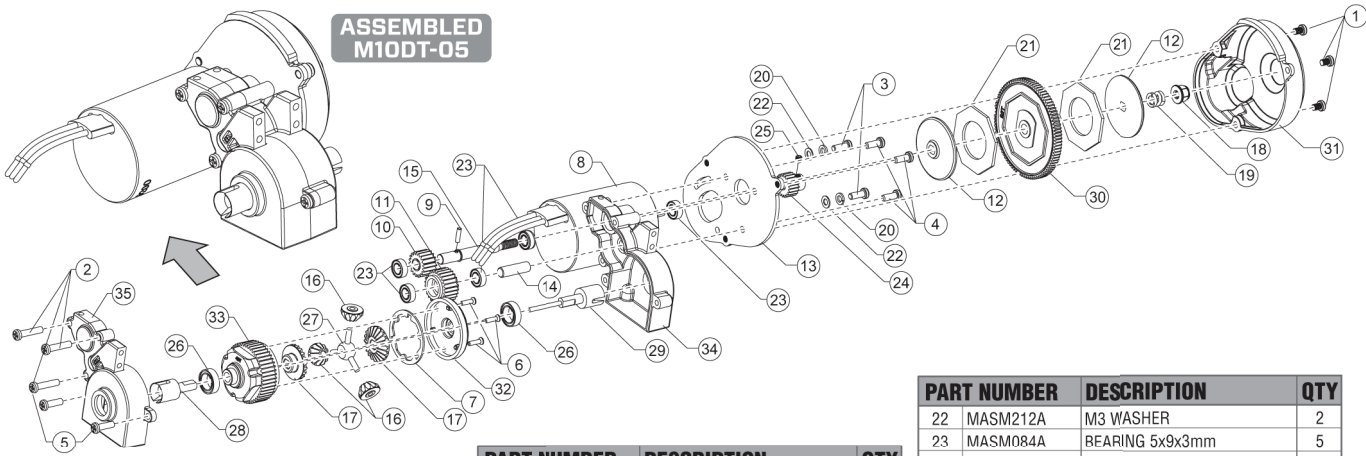
PART NUMBER	DESCRIPTION	QTY
1	EVA-G00181 EVA FOAM	1
2	M10DTP0203 SPLASH GUARD L	1
3	M10DTP0204 SPLASH GUARD R	1
4	M10DTP0508 FRONT SHOCK BRACE	2
5	M10DTP0509 BATTERY HOLD DOWN	1
6	M10DTP0601 SIDE GUARD	2
7	M10DTP0702 FRONT BATTERY MOUNT	1
8	M10DTP0703 BATTERY MOUNT POST	2
9	M10DTP0704 REAR BATTERY MOUNT	1
10	MASM032A SNAP PIN	2
11	MASM2284A METAL CHASSIS	1
12	SSW-G00188 3x10KB	24
13	SSW-G00192 3x10PB	4
14	SSW-G00207 3x12KB	2
15	M10DT-02 WATER RESISTANT SERVO	1
16	M10DT-03 STEERING POST ASSEMBLY	1



ASSEMBLED M10DT-04

DIFFERENTIAL GEAR BOX ASSEMBLY

**ASSEMBLED
M10DT-05**

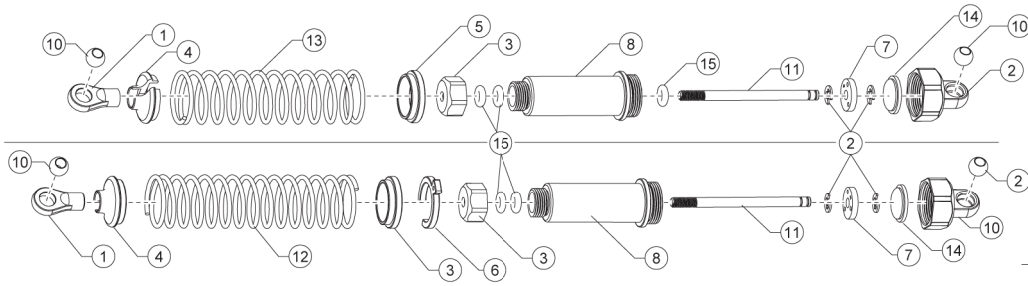


PART NUMBER	DESCRIPTION	QTY	
1	SSW-G00693	3x4PM	3
2	SSW-G00443	3x14PB	3
3	SSW-G00287	3x8PM	2
4	SSW-G00285	3x8PB	3
5	SSW-G00192	3x10PB	2
6	SSW-G00156	2x8KB	3
7	SPC-G00009	GEAR DIFF. SEAL SHEET	1
8	MOT-G00120	540 BRUSHLESS MOTOR	1
9	MASM2344A	LOCK PIN	1
10	MASM2296A	SPUR GEAR 19T	1

PART NUMBER	DESCRIPTION	QTY	
11	MASM2295A	SPUR GEAR 26T	1
12	MASM2294A	SLIPPER TABLETTING	2
13	MASM2290A	METAL MOTOR PLATE	1
14	MASM2271A	GEAR SHAFT	1
15	MASM2270A	SLIPPER TABLETTING	1
16	MASM2219A	BEVEL GEAR 12T	3
17	MASM2218A	BEVEL GEAR 21T	2
18	MASM1932A	M4 LOCKNUT	1
19	MASM1758A	SLIPPER SPRING	1
20	MASM1185A	M3 SPRING WASHER	2
21	MASM318A	SLIPPER PLATE	2

PART NUMBER	DESCRIPTION	QTY	
22	MASM212A	M3 WASHER	2
23	MASM084A	BEARING 5x9x3mm	5
24	MASM1244A	PINION GEAR 20T	1
25	MASM969A	#5-40x1/8" SET SCREW	1
26	MASM033A	BEARING 8x12x3.5mm	2
27	MASM019A	GEAR DIFF. ADAPTOR	1
28	MASM007A	DIFFERENTIAL OUTDRIVE SHORT	1
29	MASM006A	DIFFERENTIAL OUTDRIVE LONG	1
30	M10DTP0806	SPUR GEAR 92T	1
31	M10DTP0805	GEAR BOX DUST COVER	1
32	M10DTP0804	DIFFERENTIAL HOUSING COVER	1
33	M10DTP0803	DIFFERENTIAL HOUSING	1
34	M10DTP0802	GEAR BOX HOUSING R	1
35	M10DTP0801	GEAR BOX HOUSING L	1

FRONT AND REAR OIL SHOCK ASSEMBLY



PART NUMBER	DESCRIPTION	QTY	
1	GT14BP0804-01	SHOCK END	2
2	GT14BP1001	OIL SHOCK COVER	2
3	GT14BP1002-01	OIL SHOCK BOTTOM COVER	2
4	GT14BP1103-01	SPRING CUP	2
5	GT14BP1105-01	OIL SHOCK ADJUSTER	2
6	GT14BP1108	OIL SHOCK SPACER 2mm	1
7	GT14BPROP0101	SHOCK PISTON 1.3	2
8	M40BP0301-01	OIL SHOCK BODY	2

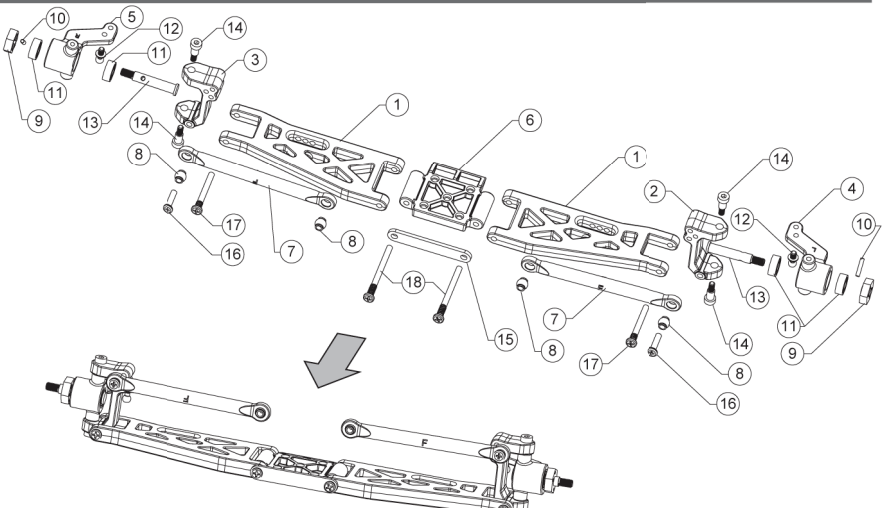
PART NUMBER	DESCRIPTION	QTY	
9	MASM053A	E-RING	4
10	MASM204A	5.8 BALL THROUGH	4
11	MASM2148A	OIL SHOCK SHAFT	2
12	MASM2374A	REAR SHOCK SPRING	1
13	MASM2398A	FRONT SHOCK SPRING	1
14	RBP-G00010	SHOCK DIAPHRAGM	2
15	RBP-G00014	O-RING	5

**FRONT
OIL SHOCK
ASSEMBLED
M10DT-06**

**REAR
OIL SHOCK
ASSEMBLED
M10DT-07**

FRONT SUSPENSION ARMS ASSEMBLY

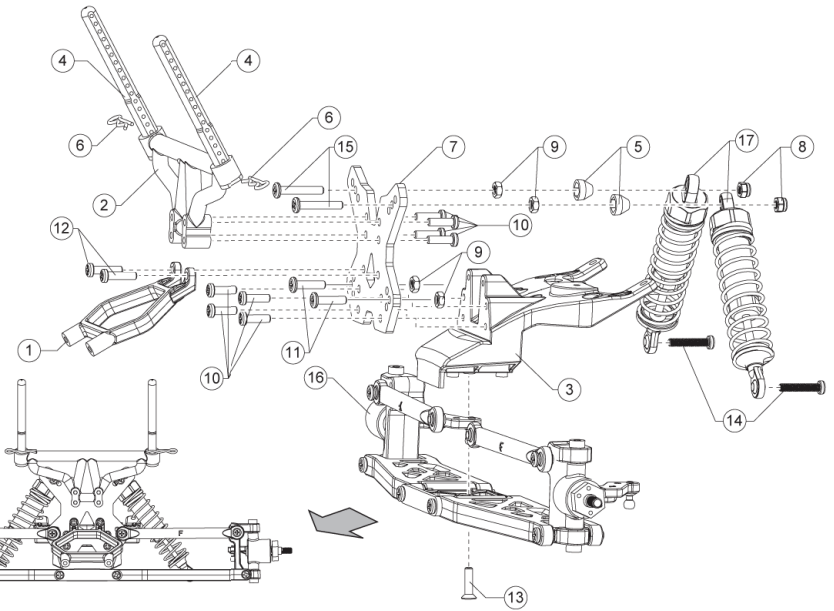
PART NUMBER	DESCRIPTION	QTY	
1	M10DTP0301	FRONT SUSPENSION ARM	2
2	M10DTP0401	SPINDLE CARRIER L	1
3	M10DTP0402	SPINDLE CARRIER R	1
4	M10DTP0403	FRONT SPINDLE L	1
5	M10DTP0404	FRONT SPINDLE R	1
6	M10DTP0502	FRONT SUSPENSION ARM BRACE	1
7	M10DTP0602	FRONT LINKAGE	2
8	M10DTP0607	PLASTIC BALL STUD	4
9	M10DTP0708	WHEEL HEX	2
10	MASM017A	WHEEL LOCK PIN D2x10	2
11	MASM034A	BEARING 5x11x4mm	4
12	MASM1803A	4.3mm BALL STUD	2
13	MASM2267A	FRONT WHEEL SHAFT	2
14	MASM2272A	STEP SCREW	4
15	MASM2291A	FRONT SUSPENSION ARM MOUNT	1
16	SSW-G00201	3x12BM	2
17	SSW-G00667	FRONT SUSPENSION HINGE PIN 3.2x26PM	2
18	SSW-G00668	FRONT SUSPENSION HINGE PIN 3.5x37PM	2



**ASSEMBLED
M10DT-08**

FRONT OIL SHOCK TOWER ASSEMBLY

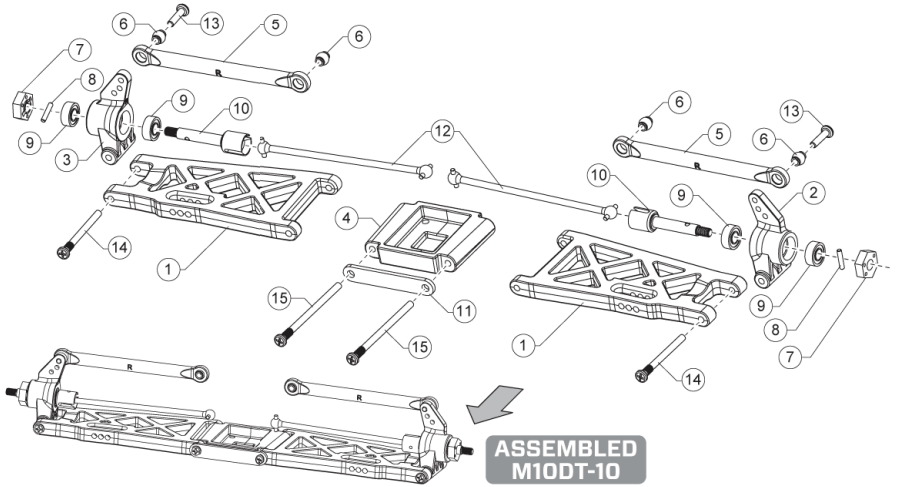
PART NUMBER	DESCRIPTION	QTY	
1	M10DTP0102	FRONT BUMPER BRACE	1
2	M10DTP0201	FRONT BODY POST	1
3	M10DTP0501	FRONT SHOCK TOWER MOUNT	1
4	M10DTP0606	BODY POST	2
5	M10DTP0706	SPACER	2
6	MASM032A	SNAP PIN	2
7	MASM2288A	FRONT SHOCK TOWER	1
8	MASM313A	SCREW NUT	2
9	MASM727A	M3 SCREW NUT	4
10	SSW-G00192	3x10PB	8
11	SSW-G00201	3x12BM	2
12	SSW-G00205	3x12PB	2
13	SSW-G00207	3x12KB	1
14	SSW-G00226	3x16PM	2
15	SSW-G00228	3x18BM	2
16	M10DT-08	FRONT SUSPENSION ARMS ASSEMBLY	1
17	M10DT-06	FRONT OIL SHOCK ASSEMBLY	2



**ASSEMBLED
M10DT-09**

REAR SUSPENSION ARMS ASSEMBLY

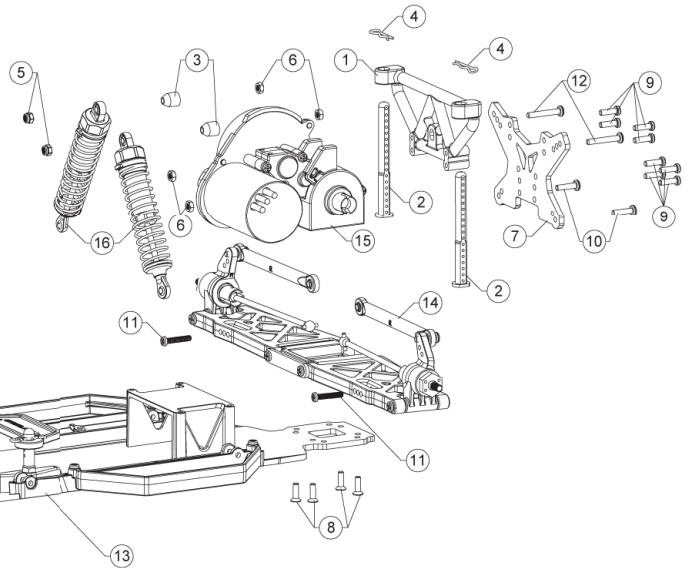
PART NUMBER	DESCRIPTION	QTY	
1	M10DTP0302	REAR SUSPENSION ARM	2
2	M10DTP0405	REAR SPINDLE L	1
3	M10DTP0406	REAR SPINDLE R	1
4	M10DTP0510	REAR SUSPENSION ARM BRACE	1
5	M10DTP0604	REAR LINKAGE	2
6	M10DTP0607	PLASTIC BALL STUD	4
7	M10DTP0708	WHEEL HEX	2
8	MASM017A	WHEEL LOCK PIN D2x10	2
9	MASM034A	BEARING 5x11x4mm	4
10	MASM2269A	OUTDRIVE CUP	2
11	MASM2292A	REAR SUSPENSION ARM MOUNT	1
12	MASM2293A	DOG BONE	2
13	SSW-G00201	3x12BM	2
14	SSW-G00669	REAR SUSPENSION HING PIN 3.5x35PM	2
15	SSW-G00699	REAR SUSPENSION HING PIN 3.5x50PM	2



**ASSEMBLED
M10DT-10**

REAR OIL SHOCK AND GEAR BOX ASSEMBLY

PART NUMBER	DESCRIPTION	QTY	
1	M10DTP0202	REAR BODY POST BRACE	1
2	M10DTP0606	BODY POST	2
3	M10DTP0707	SPACER	2
4	MASM032A	SNAP PIN	2
5	MASM313A	SCREW NUT	2
6	MASM727A	M3 SCREW NUT	4
7	MASM2288A	REAR SHOCK TOWER	1
8	SSW-G00188	3x10KB	4
9	SSW-G00192	3x10PB	8
10	SSW-G00201	3x12BM	2
11	SSW-G00226	3x16PM	2
12	SSW-G00234	3x20BM	2
13	M10DT-04	MAIN CHASSIS ASSEMBLY	1
14	M10DT-10	REAR SUSPENSION ARMS ASSEMBLY	1
15	M10DT-05	GEAR DIFFERENTIAL BOX ASSEMBLY	1
16	M10DT-07	REAR OIL SHOCK ASSEMBLY	2



ASSEMBLED

SPARE PARTS LIST

ITEM NO	BARCODE	PRODUCT NAME	PART NO	DESCRIPTION	QTY			
15004	4892793150040	M10DT VOLKSWAGE BEETLE STICKER SHEET	DCC-G00286	M10DT CAR BODY STICKER	1			
15005	4892793150057	M10DT ACCESSORIES SET	EQMP0101	SHOVEL	1			
			EQMP0102	BAGGAGE A	1			
			EQMP0103	BAGGAGE B	1			
			EQMP0104	BAGGAGE C1	1			
			EQMP0105	BAGGAGE C2	1			
			EQMP0106	JERRICAN COVER	1			
			EQMP0107	JERRICAN A	1			
			EQMP0108	JERRICAN B	1			
			EQMP0109	EXPLOSIVE BOX COVER	1			
			EQMP0110	EXPLOSIVE BOX A	1			
			EQMP0111	EXPLOSIVE BOX B	1			
			EQMP0112	OIL DRUM COVER	1			
			EQMP0113	OIL DRUM A	1			
			EQMP0114	OIL DRUM B	1			
15007	4892793150071	M10DT VOLKSWAGE BEETLE CLEAR BODY SET	10BEETLEB0101	VOLKSWAGE BEETLE CLEAR BODY	1			
			10BEETLEB0201	ENGINE	1			
			10BEETLEP0101	FRONT LIGHT COVER	2			
			10BEETLEP0102	FRONT LIGHT BRACKET	2			
			10BEETLEP0103	FRONT COVER HANDEL	1			
			10BEETLEP0104	LEFT SIDE MIRROR	1			
			10BEETLEP0105	RIGHT SIDE MIRROR	1			
			10BEETLEP0106	LEFT SIDE HANDEL	1			
			10BEETLEP0107	RIGHT SIDE HANDEL	1			
			10BEETLEP0108	LEFT REAR LIGHT BRACKET	1			
			10BEETLEP0109	RIGHT REAR LIGHT BRACKET	1			
			10BEETLEP0110	LEFT REAR LIGHT LENS	1			
			10BEETLEP0111	RIGHT REAR LIGHT LENS	1			
			10BEETLEP0201	FRONT LIGHT MOUNT	2			
			10BEETLEP0202	FRONT COVER HANDEL MOUNT	1			
			10BEETLEP0203	LEFT SIDE HANDEL MOUNT	1			
			10BEETLEP0204	RIGHT SIDE HANDEL MOUNT	1			
			10BEETLEP0205	LEFT REAR LIGHT MOUNT	1			
			10BEETLEP0206	RIGHT REAR LIGHT MOUNT	1			
			SSW-G00552	3x6TM	4			
			MASM214A	O-RING	4			
			MASM090A	CLIP 14	2			
			MASM727A	M3 SCREW NUT	4			
			DCL-G00970	CAR BODY MASK STICKER	1			
			DCC-G00286	M10DT CAR BODY STICKER	1			
			DCL-G00318	CARISMA LOGO STICKER	1			
			MASM032A	CAR BODY CLIP	4			
			15008	4892793150088	M10DT ROOF RACK SET	RACKP0103	ROOF RACK UPPER	1
						RACKP0104	ROOF RACK LOWER	1
						M40DTP0303SV	TOP SIDE LIGHT COVER	4
						M40DTP0304	TOP SIDE LIGHT CUP	1
						M40DTP0402	TOP SIDE LIGHT LENS	4
						SSW-G00064	2.6x6PWB	4
						SSW-G00100	2x6PWB	6
SSW-G00158	2x8PB	8						
SSW-G00552	3x6TM	4						
EVA-G00172	EVA SPACER	6						
15020	4892793150200	M40DT / M10DT / M48S GEAR DIFF. SEAL SHEET				SPC-G00009	GEAR DIFF. SEAL SHEET	2
15073	489279315073	M10DT BUMPER (F/R) SET	M10DTP0101	FRONT BUMPER	1			
			M10DTP0103	REAR BUMPER	1			
			M10DTP0102	FRONT BUMPER BRACE	1			
			M10DTP0104	REAR BUMPER BRACE	1			
15074	4892793150743	M10DT BODY POST BRACE	M10DTP0201	FRONT BODY POST BRACE	1			
			M10DTP0202	REAR BODY POST BRACE	1			
15075	4892793150750	M10DT FRONT SUSPENSION ARM SET	M10DTP0301	FRONT SUSPENSION ARM	2			
15076	4892793150767	M10DT REAR SUSPENSION ARM SET	M10DTP0302	REAR SUSPENSION ARM	2			
15077	4892793150774	M10DT WHEEL / TYRE PAIR	MAT-010-TA-00010BR	WHEELS & TYRES SET	2			
15078	4892793150781	M10DT BODY POST SET	M10DTP0606	BODY POST	4			
15079	4892793150798	M10DT GEAR BOX HOUSING	M10DTP0801	GEAR BOX HOUSING L	1			
			M10DTP0802	GEAR BOX HOUSING R	1			
15080	4892793150804	M10DT FRONT SHOCK TOWER MOUNT	M10DTP0501	FRONT SHOCK TOWER MOUNT	1			
15081	4892793150811	M10DT SHOCK TOWER	MASM2289A	FRONT SHOCK TOWER	1			
			MASM2288A	REAR SHOCK TOWER	1			
15082	4892793150828	M10DT SIDE GUARD SET	M10DTP0601	SIDE GUARD	1			
15083	4892793150835	M10DT STEERING / CARRER HUB SET	M10DTP0401	SPINDLE CARRIER L	1			
			M10DTP0402	SPINDLE CARRIER R	1			
			M10DTP0403	FRONT SPINDLE L	1			
			M10DTP0404	FRONT SPINDLE R	1			
			M10DTP0405	REAR SPINDLE L	1			
			M10DTP0406	REAR SPINDLE R	1			
15084	4892793150842	M10DT STEERING ARM SET	M10DTP0504	LEFT STEERING ARM	1			
			M10DTP0507	RIGHT STEERING ARM	1			
15085	4892793150859	M10DT STEERING MOUNT AND CENTER DRAG LINK	M10DTP0503	STEERING MOUNT	1			
			M10DTP0506	CENTER DRAG LINK	1			
15086	4892793150866	M10DT DOG BONE (PAIR)	MASM2293A	DOG BONE	2			
15087	4892793150873	M10DT REAR BUMPER MOUNT	M10DTP0511	REAR BUMPER MOUNT	1			
			M10DTP0702	BATTERY MOUNT A	1			
			M10DTP0703	BATTERY HOLD POST	2			
			M10DTP0704	BATTERY MOUNT B	1			
			M10DTP0509	BATTERY HOLD DOWN	1			
15089	4892793150897	M10DT PLASTIC LINKAGE SET	M10DTP0602	FRONT LINKAGE	2			
			M10DTP0603	STEERING LINKAGE	2			
			M10DTP0604	REAR LINKAGE	2			
15090	4892793150903	M10DT SERVO MOUNT	M10DTP0701	SERVO MOUNT	1			
15091	4892793150910	M10DT SERVO ARM	M10DTP0709	SERVO ARM 25T	1			
15092	4892793150927	M10DT SERVO SAVER SET	M10DTP0505	SERVO SAVER	1			
			MASM2140A	SERVO SAVER SPRING	1			
			MASM2006A	SERVO SAVER ADJUSTER	1			
			MASM2139A	STEERING POST	1			
			MASM2137A	STEERING POST SHAFT	1			

SPARE PARTS LIST

ITEM NO	BARCODE	PRODUCT NAME	PART NO	DESCRIPTION	QTY
15093	4892793150934	M10DT BEARING SET	MASM034A	BEARING 5x11x4mm	8
			MASM033A	BEARING 8x12x3.5mm	2
			MASM084A	BEARING 5x9x3mm	5
			MASM083A	BEARING 4x7x2.5mm	4
			MASM202A	BEARING 3x6x2.5mm	2
15094	4892793150941	M10DT MAIN CHASSIS	MASM2284A	MAIN CHASSIS	1
15095	4892793150958	M10DT WHEEL HEX SET	M10DTP0708	WHEEL HEX	4
			MASM017A	WHEEL LOCK PIN D2x10	4
15096	4892793150965	M10DT HARDWARE SET	SSW-G00064	2.6x6PWB	4
			SSW-G00081	2.6x8PB	4
			SSW-G00100	2x6PWB	6
			SSW-G00156	2x8KB	3
			SSW-G00158	2x8PB	8
			SSW-G00176	2.6x10PM	2
			SSW-G00188	3x10KB	28
			SSW-G00192	3x10PB	28
			SSW-G00201	3x12BM	8
			SSW-G00205	3x12PB	1
			SSW-G00205	3x12PB	3
			SSW-G00207	3x12KB	3
			SSW-G00221	3x16KB	4
			SSW-G00226	3x16PM	4
			SSW-G00228	3x18BM	2
			SSW-G00234	3x20BM	2
			SSW-G00281	3x8KB	4
			SSW-G00285	3x8PB	10
			SSW-G00287	3x8PM	2
			SSW-G00361	2.6x8KM	2
			SSW-G00443	3x14PB	5
			SSW-G00552	3x6TM	4
			SSW-G00667	26x3.5PM	2
			SSW-G00668	37x3.5PM	2
			SSW-G00669	35x3.5PM	2
			SSW-G00677	3x14KB	4
			SSW-G00693	3x4PM	3
SSW-G00699	50x3.5PM	2			
15097	4892793150972	M10DT OUTDRIVE CUP SET	MASM2269A	OUTDRIVE CUP	2
			MASM038A	M3x3 SCREW SET	2
15098	4892793150989	M10DT DIFFERENTIAL HOUSING SET	M10DTP0803	DIFFERENTIAL HOUSING	1
			M10DTP0804	DIFFERENTIAL HOUSING COVER	1
15099	4892793150996	M10DT SPUR GEAR 92T	M10DTP0806	SPUR GEAR 92T	1
15100	4892793151009	M10DT GEAR BOX DUST COVER	M10DTP0806	GEAR BOX DUST COVER	1
15101	4892793151016	M10DT MOTOR PLATE	MASM2290A	METAL MOTOR PLATE	1
15102	4892793151023	M10DT SLIPPER SET	SPC-G00010	SLIPPER SHEET	2
			MASM245A	PIN 1.5x7L	1
			MASM2294A	SLIPPER TABLETTING	2
			MASM2270A	SLIPPER SHAFT	1
			MASM1932A	M4 LOCKNUT	1
			MASM1758A	SLIPPER SPRING	1
15103	4892793151030	M10DT FRONT SUSPENSION HINGE PIN SET	SSW-G00668	FRONT SUSPENSION HINGE PIN 3.5x37PM	2
			SSW-G00667	FRONT SUSPENSION HINGE PIN 3.5x26PM	2
15104	4892793151047	M10DT REAR SUSPENSION HINGE PIN SET	SSW-G00699	REAR SUSPENSION HINGE PIN 3.5x50PM	2
15105	4892793151054	M10DT FRONT SUSPENSION ARM BRACE SET	SSW-G00669	REAR SUSPENSION HINGE PIN 3.5x35PM	2
			M10DTP0502	FRONT SUSPENSION ARM BRACE	1
15106	4892793151061	M10DT REAR SUSPENSION ARM BRACE SET	MASM2291A	FRONT SUSPENSION ARM MOUNT	1
			M10DTP0510	REAR SUSPENSION ARM BRACE	1
15107	4892793151078	M10DT SERVO THREAD ROD	MASM2292A	REAR SUSPENSION ARM MOUNT	1
			MASM394A	SERVO THREAD ROD	1
15108	4892793151085	M10DT BALL STUD SET	M10DTP0607	PLASTIC BALL STUD	8
			MASM1803A	4.3 BALL STUD	6
			M10DTP0605	BALL CUP	2
			GT14BP1104	BALL STUD	4
			MASM204A	5.3 BALL STUD	8
15109	4892793151092	M10DT LOCKNUT SET	MASM727A	M3 SCREW NUT	12
			MASM313A	SCREW NUT	2
			MASM1932A	M4 LOCKNUT	5
15110	4892793151108	M10DT WASHER SET	MASM212A	M3 WASHER BLACK OXIDE	1
			MASM1185A	M3 SPRING WASHER	1
15111	4892793151115	M10DT VOLKSWAGE PAINTED + DECORATED BODY ASSEMBLY	10BEETLEB0101GRBR	VOLKSWAGE BEETLE PAINTED BODY	1
			10BEETLEB0201BKSV	ENGINE PAINTED	1
			10BEETLEP0101	FRONT LIGHT COVER	2
			10BEETLEP0102SV	FRONT LIGHT BRACKET	2
			10BEETLEP0103SV	FRONT COVER HANDEL	1
			10BEETLEP0104GR	LEFT SIDE MIRROR	1
			10BEETLEP0105GR	RIGHT SIDE MIRROR	1
			10BEETLEP0106SV	LEFT SIDE HANDEL	1
			10BEETLEP0107SV	RIGHT SIDE HANDEL	1
			10BEETLEP0108SV	LEFT REAR LIGHT BRACKET	1
			10BEETLEP0109SV	RIGHT REAR LIGHT BRACKET	1
			10BEETLEP0110RE	LEFT REAR LIGHT LENS	1
			10BEETLEP0111RE	RIGHT REAR LIGHT LENS	1
			10BEETLEP0201	FRONT LIGHT MOUNT	2
			10BEETLEP0202	FRONT COVER HANDEL MOUNT	1
			10BEETLEP0203	LEFT SIDE HANDEL MOUNT	1
			10BEETLEP0204	RIGHT SIDE HANDEL MOUNT	1
			10BEETLEP0205	LEFT REAR LIGHT MOUNT	1
			10BEETLEP0206	RIGHT REAR LIGHT MOUNT	1
			SSW-G00552	SCREW 3X6 TM	4
			MASM214A	O RING	4
			MASM090A	CLIP 14	2
			MASM727A	M3 SCREW NUT	4
			DCL-G00970	CAR BODY MASK STICKER	1
			DCC-G00286	M10DT CAR BODY STICKER	1
			DCL-G00318	CARISMA LOGO STICKER	1
			MASM032A	CAR BODY CLIP	4



Visit Us on www.carisma.com.hk

@2013 Carisma. All Rights Reserved. Product specifications are subject to change. Some models shown are prototypes which may vary slightly from what is inside.

