

Carisma®

DIGITAL PROPORTIONAL RADIO CONTROL MODELS



DIMENSION

SCALE : 1/16

HEIGHT : 170.5mm

FRONT TYRE : \varnothing 79mm x 43mm(width)

REAR TYRE : \varnothing 79mm x 43mm(width)

LENGTH : 335.93mm

WIDTH : 239.07mm

WHEELBASE : 189.1mm

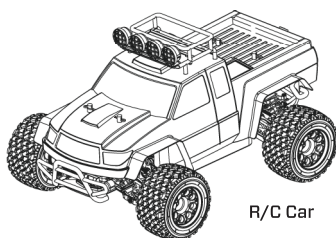
GT16MT

SCALE 1:16 OFF ROAD

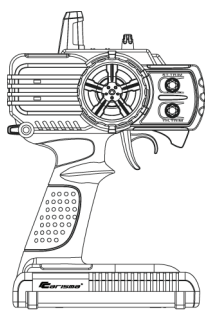
INSTRUCTION MANUAL



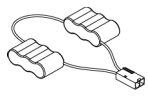
WHAT'S IN THE BOX



R/C Car



Transmitter



7.2V 1200mAh NiMH Rechargeable Battery Pack



Battery Charger



Hex Wrench



4 x AA Batteries



Wrench

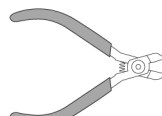
TOOLS RECOMMENDED (NOT INCLUDED)



Long Nose Pliers



Screwdriver (Small)



Nippers



Screwdriver (Large)



Soft Brush



Hex Driver

SAFETY PRECAUTIONS

SAFETY PRECAUTIONS

**THIS MODEL IS ONLY SUITABLE FOR PEOPLE 14 YEARS OLD AND UP.
THIS RADIO CONTROL MODEL IS NOT A TOY.**

Beginner should seek advice from experienced person in order to assemble the model or parts correctly and to make best performance.

* Assemble this model or parts only in place out of children's reach, and take safe precautions before operating this model. User is fully responsible for the model assembly and safe operations.

Introduction

This is a sophisticated hobby product and not a toy. It must be operated with caution and common sense. User also requires some basic mechanical abilities. Fail to operate this product in a safe and responsible manner could result in injury or do damage to the product or other properties. This product is not intended for use by children without direct adult supervision. The product manual contains instructions for safe operation and maintenance. It is essential to read and follow all the instructions and warnings in the manual prior to assembly, setup or use, in order to operate correctly and avoid damage or injury.

Safety, Precautions, and Warnings

As the user of this product, you are solely responsible for operating it in a manner that does not endanger yourself and others or result in damage to the product or the property of others.

This model is controlled by a radio signal that is subject to interference from many sources outside your control. This interference can cause momentary loss of control so it is necessary to always keep a safe distance in all directions around your model, as this will help to avoid collisions or injury.

- Always operate your model in an open area away from cars, traffic, or people.
- Avoid operating your model on the street where injury or damage can occur.
- Never operate the model out into the street or populated areas for any reason.
- Never operate your model with low transmitter batteries.
- Carefully follow the directions and warnings for this product and any optional support equipments (chargers, rechargeable battery packs, etc.) that you use.
- Keep all chemicals, small parts and anything electrical out of the reach of children.
- Moisture causes damage to electronics. Avoid water exposure to all equipments not specifically designed and protected for this purpose.

CE Compliance Information For The European Union

The associated regulatory agencies of the following countries recognize the noted certifications for this product as authorized for sale and use.

UK	DE	DK	BG	SE	CZ	ES	NL	SK	HU	RO	FR	PT
FI	EE	LV	LT	PL	AT	CY	SI	GR	MT	IT	IE	LU

Declaration of Conformity

Products: Carisma CTX-2710 2.4GHz Transmitter, MRX2800 Receiver

Equipment Class: 2

The objects of declaration described above are in conformity with the requirements of the specifications listed below.

Item Name : Carisma CTX-2710 2.4GHz Transmitter and MRX2800 Receiver

ETSI EN 300 328 V1.7.1:2006
ETSI EN 301 489-1 V1.8.1:2008
EN 301 489-17 V2.1.1:2009
EN 50371:2002

Directive 1999/5/EC (R&TTE)

Article 3.1a Health
Article 3.1b EMC
Article 3.2 Radio Spectrum

FCC ID YDTMTM27HP

Statement - This device complies with Part 15 of the FCC Rules.

Operation is subject to the following two conditions:

- (1) this device may not cause harmful interference, and
- (2) this device must accept any interference received, including interference that may cause undesired operation.

Changes or modifications not expressly approved by the party responsible for compliance could void the user's authority to operate the equipment.

RF Exposure Warning:

This equipment complies with FCC radiation exposure limits set forth for an uncontrolled environment. And should be operated with minimum distance of 20 cm between the antenna & your body.



Item Name : MS-903GT Servo
EN 55 014-1:2006
EN 55 014-2:1997 + A1:2001

Item Name : V6 Type R Electronic Speed Controller
EN 301 489-3 V1.4.1
EN 301 489-1 V1.8.1

Manufactured By : Mun Ah Plastic Electronic Toys Company.,Ltd

ABOUT THE RADIO SYSTEM

Carisma CTX-2710 2.4GHz FHSS Technology System

The following is an overview of the various functions and adjustments found on CTX-2710 radio system for Carisma models. It is important to read and understand about all of these functions and adjustments before driving.

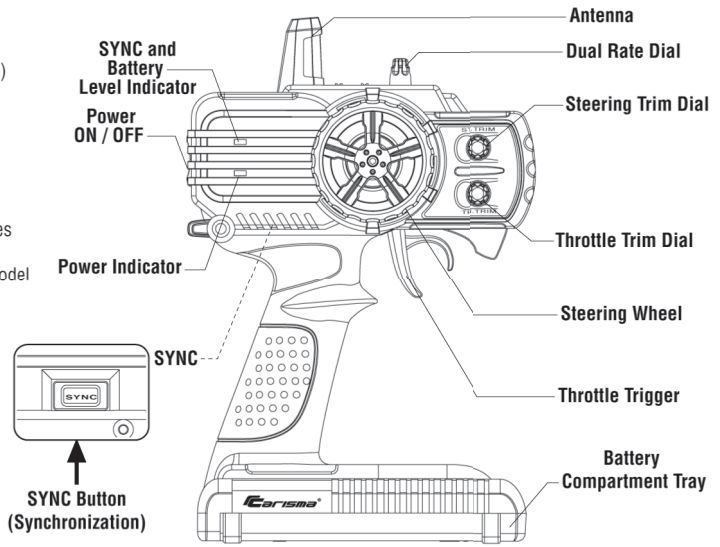
Function

The Transmitter CTX-2710

- Steering Wheel :** Control direction (Left / Right) of the RC model.
- Throttle Trigger :** Control speed and direction (Forward/Brake/Backward) of the driving model.
- Antenna :** Transmit signal to the model.
- Power ON / OFF :** Power ON / OFF the transmitter
- SYNC & Battery Indicator :** Top Green LED light indicates synchronization status and/or adequate battery power supply.
- Power Indicator :** Bottom Red LED light indicates power "ON".
- Dual Rate Dial :** Adjust the same maximum steering angle on both sides when model turns Left / Right
- ST. Trim Dial :** Adjust the neutral position of steering servo when model wheels are straight ahead.
- TH. Trim Dial :** Make sure the model stays still when releasing the throttle trigger.

Battery Compartment Tray : Cover and hold the batteries powering the transmitter.

* In general, user will experience under steer when making a wide turn at high speed or over steer when making sharp turn at high speed (easy to spin out). User should practice the throttle and steering approach for different cornering at different speed or road surface.



CTX-2710

Battery Installation

Supplied with 4 x 1.5V AA Batteries, CTX-2710 can be operated a few hours. Installation: Remove the battery compartment cover as shown below.

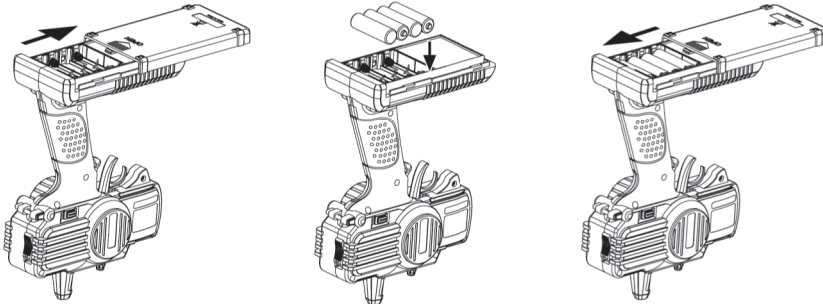
Install the batteries observing the polarity marked on battery compartment.

Then reinstall the battery compartment cover as the Picture shown below.

Warning : Never disassemble batteries or put the batteries in fire, chemical agents, otherwise they may cause personal injuries or property damages.

Battery Disposal : Observe corresponding regulations about wasted battery treatment regulations.

1. After running out of power, dispose of wasted batteries in designated areas far away from water supply, household areas and planted areas.
2. Submit the wasted batteries to specific recycling stations.

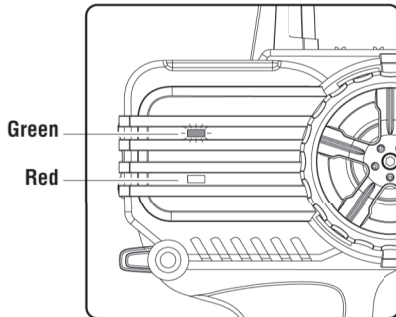


Battery LED Indicator

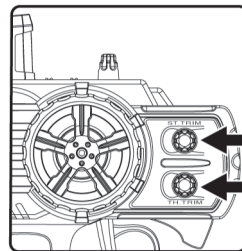
The Green LED indicator located on the front left side of the transmitter indicates the power supply of batteries. The green LED will go solid on indicating that the batteries have sufficient power. When batteries voltage drops below 4 volts, the Green LED will flash, indicating the batteries power is low and should be replaced.

Solid Green :
Sufficient Power supply

Flashing :
Time to replace batteries



Pre-Run Check

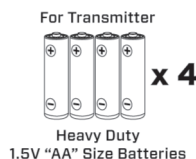


1. Steering : Adjust the steering trim to keep the front wheels in straight line when steering wheel remains in NEUTRAL position.
2. Throttle : Adjust the throttle trim to ensure the rear wheels stop rotating when throttle trigger remains in NEUTRAL position.

* Always turn on the transmitter first by sliding the switch on the left side from bottom to top. The small red and green lights above the switch should both light up. If not, you need to check for low or incorrectly installed batteries.

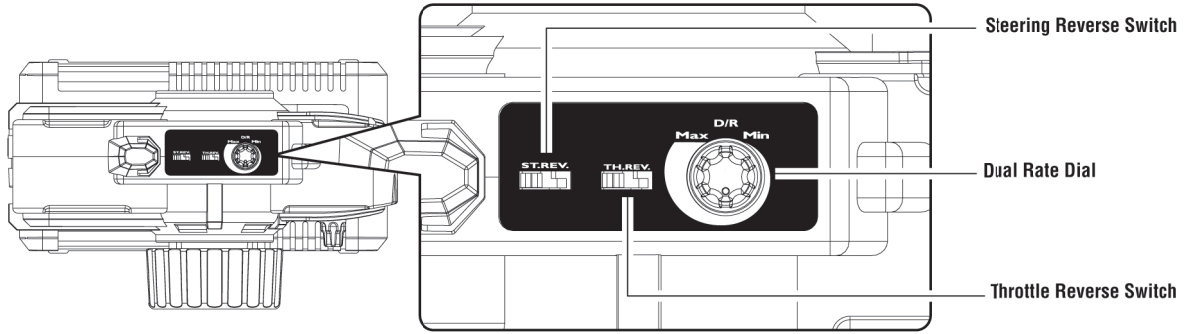
Instructions for Disposal of WEEE by Users in the European Union

This product must never be thrown away with other waste. Thus the users are liable for disposing the wasted model by submitting them to designated collection stations specific for recycling electronic and electric items. Disposing of the wasted model in this way is helpful to conserve natural resources and enable to keep human health and protect the environment. For more information about wasted model disposal and recycling, please contact your local city office, your disposal service or where you purchased the product.



ABOUT THE RADIO SYSTEM

Top Control Panel



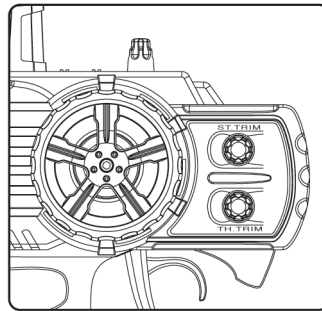
Dual Rate Dial

Dual Rate Dial enables to adjust the same maximum steering angle of servo on both sides (Left and Right) when model makes steering. The Dual Rate Dial affects the sensitivity of servo. Reducing dual rate value can lower the sensitivity of servo and reduce the same maximum steering angle on both sides. Remember to adjust the dual rate value within the adjustment range.

Reversing

Reversing is used to change the response direction of steering wheel and throttle trigger. CTX-2710 Transmitter features 2 reversing functions: Steering Reverse and Throttle Reverse.
Steering Reverse: Reverse the response direction when operating steering wheel. Turning left steering wheel, the model turns right while turning right the model turns left.
Throttle Reverse: Reverse the response direction when operating throttle trigger. Pushing forward throttle trigger the model moves backward while pulling back, the model moves forward. If necessary you can just use a small screwdriver to adjust the corresponding switches.

Trimming



CTX-2710 features two trimming functions: Steering Trim and Throttle Trim.

Steering Trim Dial :

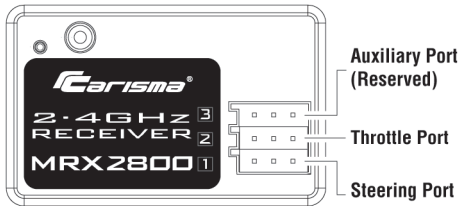
Adjust the neutral position of steering servo when the wheels are straight ahead. Normally steering trim is adjusted until the model can keep straight tracks.

Throttle Trim Dial :

Adjust neutral position of throttle servo. Make sure the model stays still when releasing the throttle trigger.

RECEIVER CONNECTION AND INSTALLATION

Carisma 2.4GHz Receiver MRX2800



Auxiliary Port (Reserved)

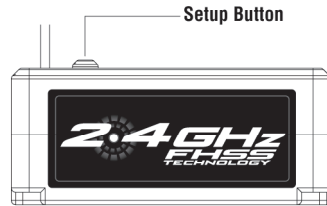
Steering Port : Where to plug in the servo.

Throttle Port : Where to plug in the Electronic Speed Controller (ESC).

Setup button : Synchronize transmitter and receiver. Select frame rate.

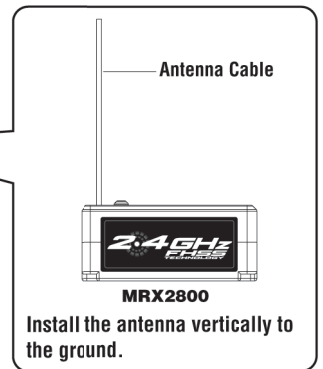
Tips :

- Wrap the receiver with something soft, such as foam rubber, to avoid vibration. If there is a chance of getting wet, put the receiver in a waterproof bag or balloon.



Warning :

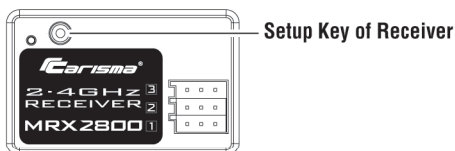
- Never bend the metal pins on the PCB of receiver.
- Never cut the antenna cable.
- Install the antenna vertically as shown in the figure.
- Keep the antenna as far away from the motor, ESC and other noise sources as you possibly can.



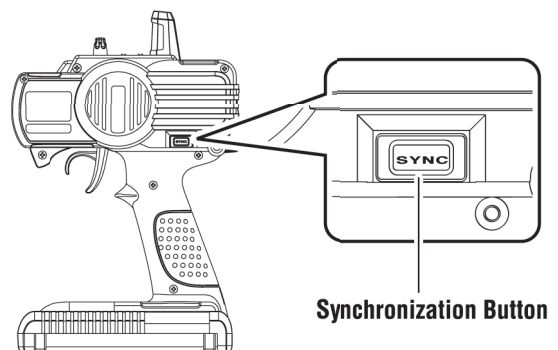
Remarks :

The mounting positions of receiver and antenna cable greatly affect the operating range.

Synchronization & Frame Rate Adjust



1. Prior to any operation make sure the transmitter and receiver are both turned off.
2. Press and hold the setup button on the receiver while power on the receiver.
3. Release the setup button till green LED flashes.
4. Press the setup button to select the frame rate with green LED flashing.
 Faster Flashing = High frame rate (7ms) for digital servo
 Slower Flashing = Low frame rate (15ms) for analogue servo
5. Power on the transmitter. With the transmitter steering wheel and throttle trigger in neutral position (full stop and straight steering), press the SYNC button of the transmitter.
6. When synchronization is done, the green LED on both receiver and transmitter will turn solid on.



BRUSHLESS ESC V6 TYPE R FEATURES

ESC Features:

- Auto Detect Brushed or Brushless Motor (Details see Select Motor Type)
- One Touch End Points calibration
- Battery Selection:
 - 7.4V 2 cell LiPo
 - 7.2V NiMH
- Two ESC profile:
 - Forward / Reverse with Smart Brake
 - Forward Only
- Battery Over Voltage Protection (Max Input voltage = 13V)
- Thermal Protection
- Motor Stall Protection

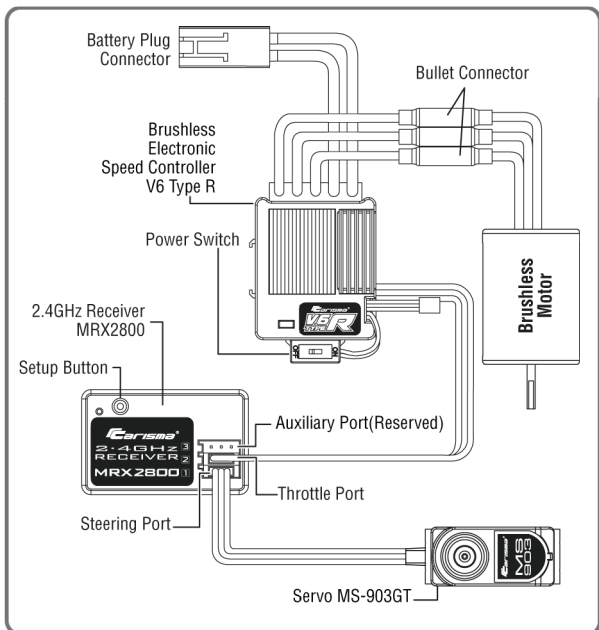
LED Indicator:

- After Power On:
 - Just after power on the ESC, the LED will display the currently selected Battery Type for 2 sec:
 - RED, GREEN LED are used to display Currently Selected Battery Type:
 - RED LED Flashing = LiPo is selected
 - GREEN LED Flashing = NiMH is selected
- Battery Type Programming:
 - During the battery type displaying 2 second as mentioned above, user can press the key to select other battery type.
 - Cut-off voltage will be automatically adjusted according to the battery type selected:
 - For LiPo Battery: ESC will cut-off at 6V
 - For NiHM: ESC will cut-off at 4.3V
- LED Display during "Normal Operation"

Condition	LED
Stop	GREEN
Partial Forward	OFF
Max Forward	RED
Partial Reverse	OFF
Max Reverse	RED
Brake	RED + GREEN

LED Display For "Error"

- Battery Voltage too high (over 13V)
 - RED LED solid on and GREEN LED flashing slowly (Can only happen during Power ON).
- Overheat
 - Alternatively Flashing Red and Green
- Motor Failure, eg. Motor wire broken, Bad motor, or Motor Jammed
 - RED LED flashing quickly 3 times, turn off and then repeat
- Battery Low
 - GREEN LED solid on and RED LED flashing slowly



One Touch End-Points Calibration Programming:

- Step 1 - Turn on the Transmitter, Throttle at Stop position.
- Step 2 - Hold the ESC setup key and then power on the ESC.
- Step 3 - RED and GREEN LED will turn on, then release the setup key.
- Step 4 - GREEN LED flashing, then hold Throttle at Full Throttle position until GREEN LED become Solid ON.
- Step 5 - Then RED LED will flashing.
- Step 6 - Next hold Throttle at Max Reverse position until RED LED become Solid ON.
- Step 7 - Release Throttle to Stop position, programming done.

BATTERY PACK & CHARGER MANUAL



WARNING

To reduce the risk of fire, electric shock or injury, carefully follow these instructions.

This manual contains important safety and operating instructions for your charger. Before using the battery charger, read all the following in this instructions manual on the battery chargers and the rechargeable batteries to be charged, and on the products that use the rechargeable batteries.

Plug supplied charger into mains outlet socket. Connect the 7.2V rechargeable battery pack to the charger. The charger's connector fits only one way. Don't force it! If the connectors do not fit together easily, be sure that you have positioned them properly. Average recharging time is approximately 2 to 3 hours maximum. When recharging is over, remove the charger from the household outlet. After recharging is completed, disconnect the battery pack from the battery charger.

The 7.2V battery pack is not supplied pre-charged and you must charge it before connecting the R/C car. The 7.2V battery pack and charger will get hot while charging. This is normal. Do not charge on, or near to, a material / surface that is flammable or can be damaged by heat. When the 7.2V battery pack out of power (dead battery), it should be replaced. Do not dispose in the household garbage but to the collection stations or at a special garbage depot.

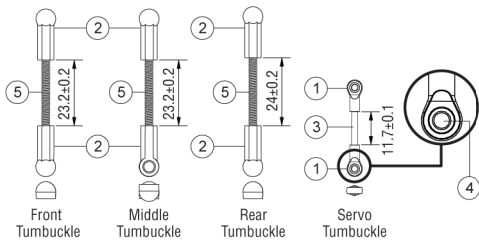
Operation

- Completely discharge a Nickel - Metal Hydride (NiMH) battery pack before you charge it. Frequent charging a Nickel - Metal Hydride battery pack that is not fully discharged can shorten its battery life.
- The battery pack cannot be fully charged when it is in low temperature environment.
- To charge a very hot after use battery pack can permanently lose its ability to charge.
- Unplug the charger from the mains outlet before attempting any maintenance or cleaning.

CAUTION

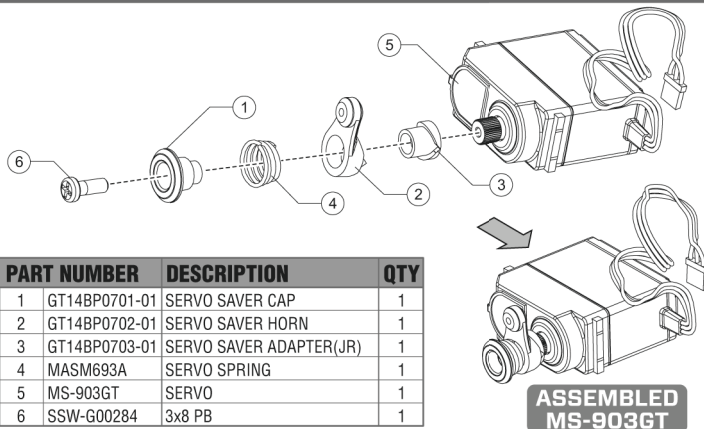
- The battery charger is not a toy.
- Charger only Ni-MH type rechargeable batteries. Other types of batteries may explode and cause serious personal injury or damages.
- Never let the charger or battery pack get wet or damp.
- Overcharging can damage the battery pack. Follow the indicated recharging time.
- Check the batteries regularly for leakage.
- Non-rechargeable batteries are not to be recharged.
- Do not disassemble the charger. Take it to a qualified service technician when service or repair is required. Improper reassembly may result in a risk of fire, electric shock, or injury to persons.
- Do not recharge the battery pack while it is still hot after use. Wait until it has cooled down before recharge.
- Use only the recommended batteries or batteries of equal quality.
- Do not short circuit - all cables should be insulated. If necessary, use vinyl tape for insulation (NOT INCLUDED).
- Do not leave battery pack charger unattended when charging.
- The supply terminals are not to be short-circuited.
- Packing has to be kept since it contains important information.
- Do not expose the charger to rain or excessive moisture.
- Do not operate the charger if it has received a sharp blow, or been dropped or damaged in any way. Take it to qualified service technician to repair.
- To reduce the risk of damage to the AC plug and cord, disconnect the charger by pulling plug rather than the cord.
- Do not use an extension cord. It could result in fire or electric shock.
- Do not operate the charge if the cord or plug is damaged. Repair the charger. Never alter the provided AC cord or plug. If does not fit in the AC outlet, have a qualified service technician install the appropriate connector plug. Improper connection can result in an electrical shock. Never use the charger as a DC power source for any other electrical equipments.
- Rechargeable battery pack can explode if under incorrectly or non stop charging.
- Always observe the polarity to correctly connect :
 - Positive (+) to Positive (+) Negative (-) to Negative (-).

TURNBUCKLE ASSEMBLY



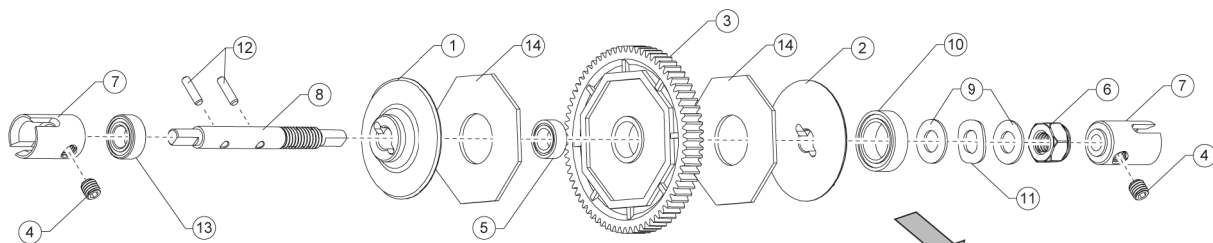
PART NUMBER	DESCRIPTION	QTY
1	GT14BP0807 BALL CAP	2
2	GTBP0201-01 ROD BALL CAP	6
3	MASM650A M2xL20mm	1
4	ME017A 3.9 BALL	2
5	SSW-G00595 TURNBUCKLE (M3x38mm)	3

SERVO SAVER EXPLODED DIAGRAM



PART NUMBER	DESCRIPTION	QTY
1	GT14BP0701-01 SERVO SAVER CAP	1
2	GT14BP0702-01 SERVO SAVER HORN	1
3	GT14BP0703-01 SERVO SAVER ADAPTER(JR)	1
4	MASM693A SERVO SPRING	1
5	MS-903GT SERVO	1
6	SSW-G00284 3x8 PB	1

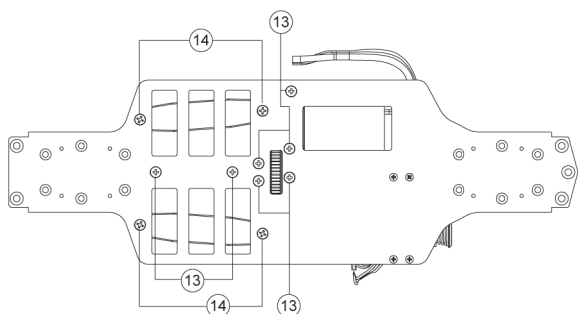
MAIN DRIVE SHAFT/SLIPPER UNIT ASSEMBLY



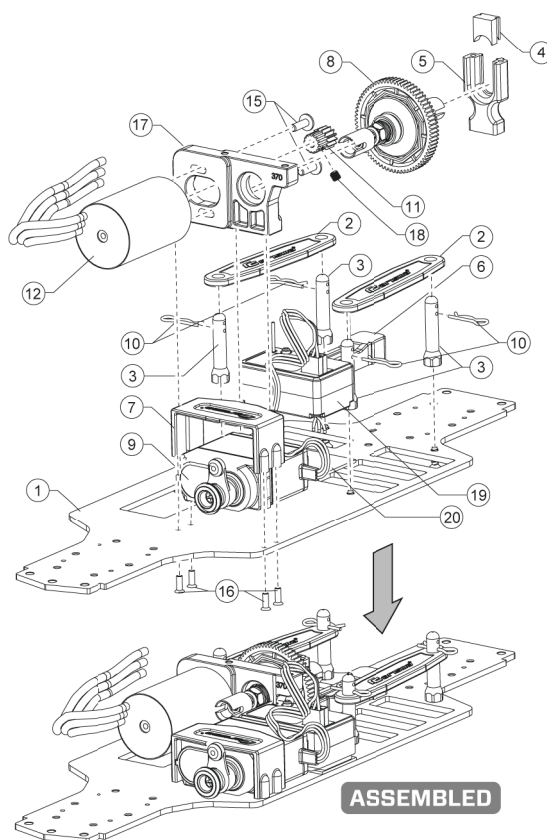
PART NUMBER	DESCRIPTION	QTY
1	GT14BP0509 SLIPPER PLATE A	1
2	GT14BP0510 SLIPPER PLATE B	1
3	GT14BP0704-01 SPUR GEAR 66T	1
4	MASM038A M3x3 SCREW	2
5	MASM083A BEARING 4x7x2.5mm	1
6	MASM1011A LOCKNUT M4 BLACK ZING	1
7	MASM1625A CENTER DRIVE CUP	2

PART NUMBER	DESCRIPTION	QTY
8	MASM1626A SLIPPER SHAFT	1
9	MASM1961A SLIPPER WASHER	2
10	MASM270A BEARING 7x11x3mm	1
11	MASM716A SPRING WASHER	1
12	ME014A PIN 1.5x6.0L	2
13	ME031A BEARING 4x8x3mm	1
14	SPC-G00005 SLIPPER SHEET	2

MAIN CHASSIS ASSEMBLY

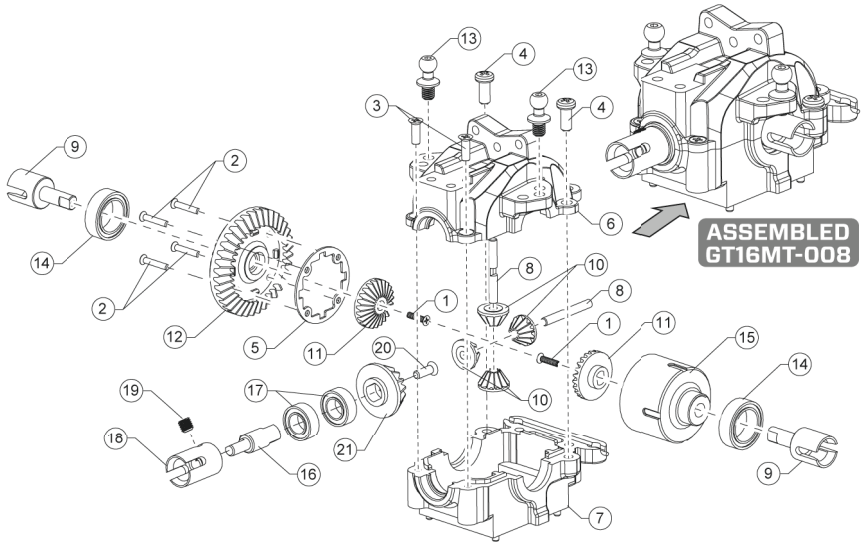


PART NUMBER	DESCRIPTION	QTY
1	FRP-G00064 FRP CHASSIS PLATE	1
2	GT14BP0403-01 BATTERY HOLD DOWN	2
3	GT14BP0405-02 BATTERY HOLD POST	4
4	GT14BP0502 REAR CENTER BEARING BRACE	1
5	GT14BP0503 REAR CENTER MOUNT	1
6	GT14BP0504 REAR SUPPORT	1
7	GT14BP0607 SERVO BRACE	1
8	GT16MT-004 MAIN DRIVE SHAFT/SLIPPER UNIT	1
9	MS-903GT SERVO	1
10	MASM090A SNAP PIN	4
11	MASM671A MOTOR GEAR 14T	1
12	MOT-G00092 370 BRUSHLESS MOTOR	1
13	SSW-G00053 2.6x6KB	7
14	SSW-G00077 2.6x8KB	4
15	SSW-G00088 2.6x8PWM	2
16	SSW-G00147 2x6KB	4
17	16MBP0401 370 MOTOR MOUNT	1
18	MASM038A M3x3 SCREW	1
19	MRX2800 2.4GHz RECEIVER	1
20	DCL-G00233 DOUBLE SIDE STICKER	1

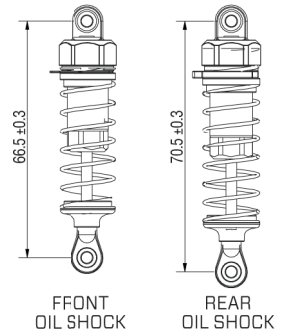
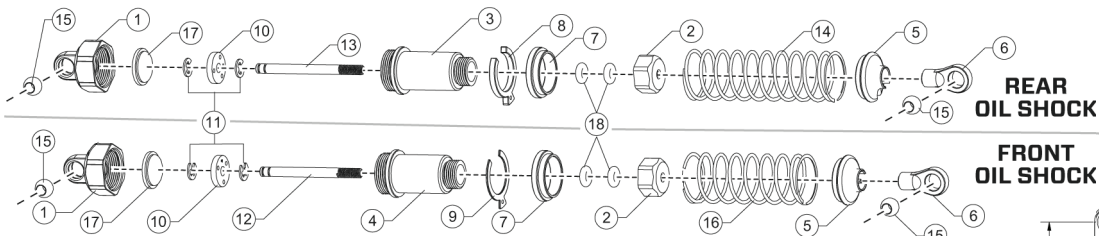


DIFFERENTIAL GEAR BOX ASSEMBLY

PART NUMBER	DESCRIPTION	QTY	
1	SSW-G00661	1.4x6KM D2.5	2
2	SSW-G00659	1.4x8KB D2.5	4
3	SSW-G00147	2x6KB	2
4	SSW-G00063	2.6x6PB	2
5	SPC-G00007	GEAR DIFF. SEAL SHEET	1
6	R14P1102	UPPER DIFF. HOUSING CASE	1
7	R14P1101-01	LOWER DIFF. HOUSING CASE	1
8	MASM2160A	PIN	2
9	MASM2159A	OUTDRIVE CUP	2
10	MASM2158A	BEVEL PINION 12T	4
11	MASM2157A	BEVEL PINION 24T	2
12	MASM2155A	37T GEAR	1
13	MASM1803A	4.3 BALL L=10.8	2
14	MASMO33A	BEARING 8x12x3.5mm	2
15	GT14BPROP0701	DIFFERENTIAL GEAR BOX	1
16	MASM2080A	INPUT SHAFT	1
17	MASMO84A	BEARING 5x9x3mm	2
18	MASM1625A	CENTER DRIVE CUP	1
19	MASM038A	M3x3 SCREW	1
20	SSW-G00470	2x6KM	1
21	MASM2156A	BEVEL PINION 15T	1



FRONT AND REAR OIL SHOCK ASSEMBLY

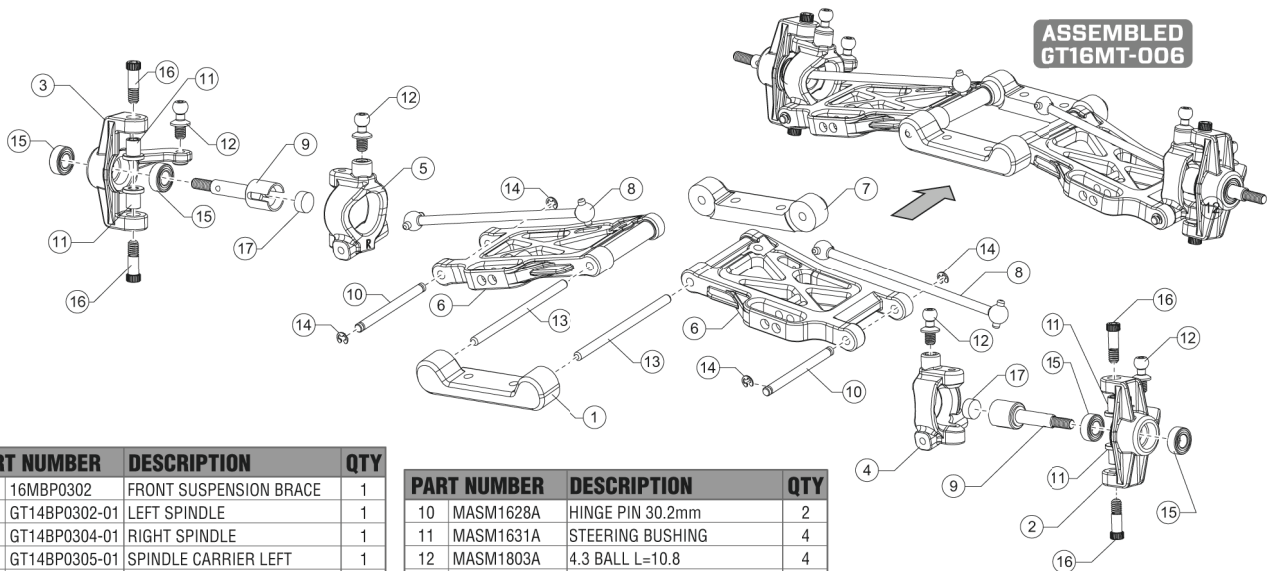


PART NUMBER	DESCRIPTION	QTY	
1	GT14BP1001	SHOCK TOP CAP	2
2	GT14BP1002-01	OIL SHOCK BOTTOM CAP	2
3	GT14BP1101-01	REAR SHOCK BODY	1
4	GT14BP1102-01	FRONT SHOCK BODY	1
5	GT14BP1103	SPRING CUP	2
6	GT14BP1104	SHOCK END	2
7	GT14BP1105-01	OIL SHOCK ADJUSTER	2
8	GT14BP1108	SHOCK ADJUSTMENT CLIP SET 2mm	1
9	GT14BP1110	SHOCK ADJUSTMENT CLIP SET 0.5mm	1

PART NUMBER	DESCRIPTION	QTY	
10	GT14BPROP0101	SHOCK PISTON 1.3mm	2
11	MASM053A	E-RING ID2.3 BLACK OXIDE	4
12	MASM1684A	FRONT SHOCK SHAFT	1
13	MASM1685A	REAR SHOCK SHAFT	1
14	MASM2151A	REAR DAMPER SPRING	1
15	MASM204A	5.8 THROUGH BALL (5.79x4.6L)	4
16	MASM1736A	FRONT SHOCK SPRING	1
17	RP-G00010	SHOCK DIAPHRAM	2
18	RP-G00014	O-RING ID2.9x1.78mm	4

ASSEMBLED GT16MT-003

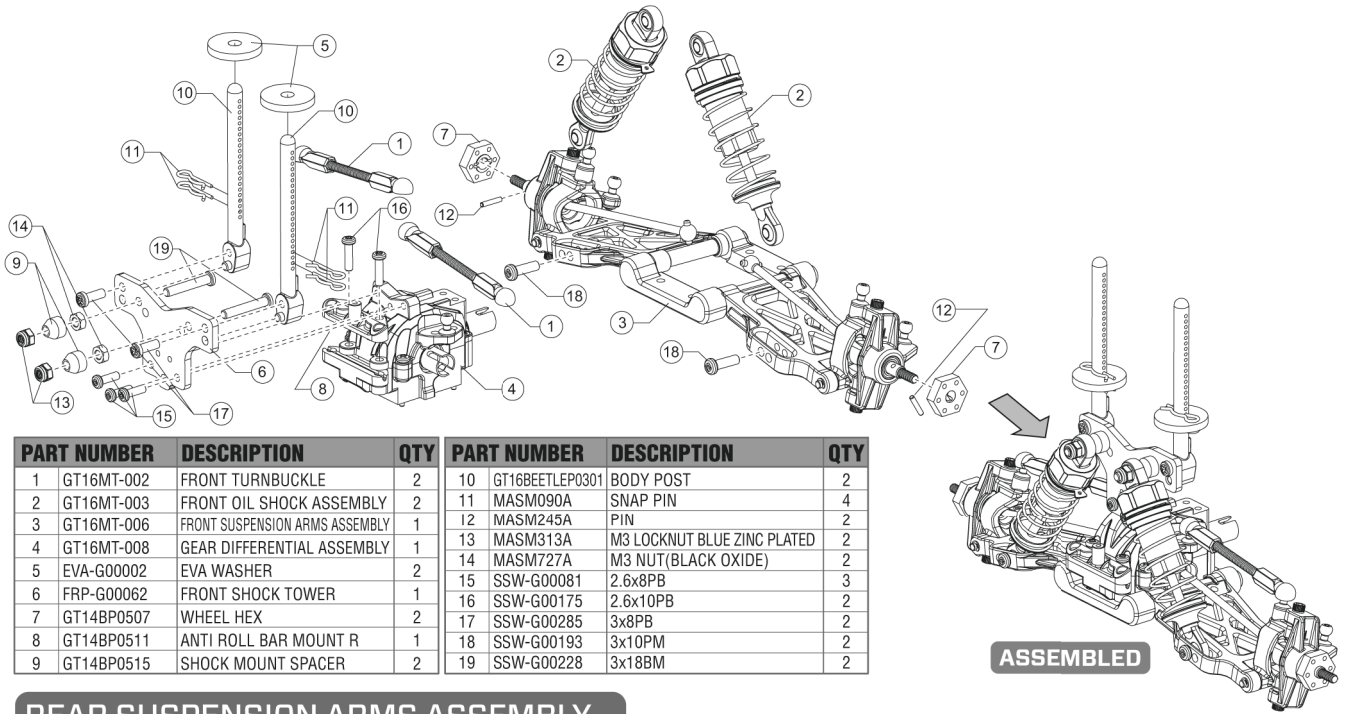
FRONT SUSPENSION ARMS ASSEMBLY



PART NUMBER	DESCRIPTION	QTY	
1	16MBP0302	FRONT SUSPENSION BRACE	1
2	GT14BP0302-01	LEFT SPINDLE	1
3	GT14BP0304-01	RIGHT SPINDLE	1
4	GT14BP0305-01	SPINDLE CARRIER LEFT	1
5	GT14BP0306-01	SPINDLE CARRIER RIGHT	1
6	GT14BP0401-02	FRONT ARM	2
7	GT14BP0601-01	FRONT SUSPENSION INNER BRACE	1
8	MASM2327A	DOG BONE	2
9	MASM1624A	WHEEL SHAFT	2

PART NUMBER	DESCRIPTION	QTY	
10	MASM1628A	HINGE PIN 30.2mm	2
11	MASM1631A	STEERING BUSHING	4
12	MASM1803A	4.3 BALL L=10.8	4
13	MASM2017A	SUSPENSION HINGE PIN	2
14	MASM269A	M1.5 E-RING BLACK OXIDE	4
15	ME031A	BEARING 4x8x3mm	4
16	SSW-G00454	2.6x10cm	4
17	EVA-G00003	DIFF OUTDRIVE FOAM STUD	2

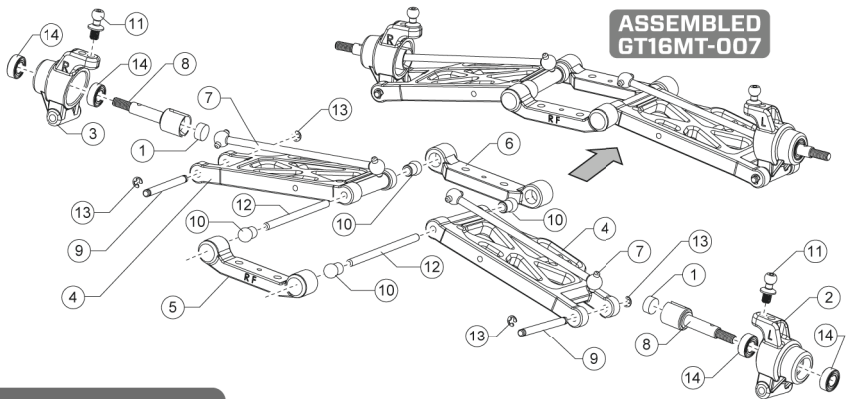
FRONT GEAR BOX & OIL SHOCK ASSEMBLY



PART NUMBER	DESCRIPTION	QTY	PART NUMBER	DESCRIPTION	QTY		
1	GT16MT-002	FRONT TURNBUCKLE	2	10	GT16BEETLEP0301	BODY POST	2
2	GT16MT-003	FRONT OIL SHOCK ASSEMBLY	2	11	MASM090A	SNAP PIN	4
3	GT16MT-006	FRONT SUSPENSION ARMS ASSEMBLY	1	12	MASM245A	PIN	2
4	GT16MT-008	GEAR DIFFERENTIAL ASSEMBLY	1	13	MASM313A	M3 LOCKNUT BLUE ZINC PLATED	2
5	EVA-G00002	EVA WASHER	2	14	MASM727A	M3 NUT(BLACK OXIDE)	2
6	FRP-G00062	FRONT SHOCK TOWER	1	15	SSW-G00081	2.6x8PB	3
7	GT14BP0507	WHEEL HEX	2	16	SSW-G00175	2.6x10PB	2
8	GT14BP0511	ANTI ROLL BAR MOUNT R	1	17	SSW-G00285	3x8PB	2
9	GT14BP0515	SHOCK MOUNT SPACER	2	18	SSW-G00193	3x10PM	2
				19	SSW-G00228	3x18BM	2

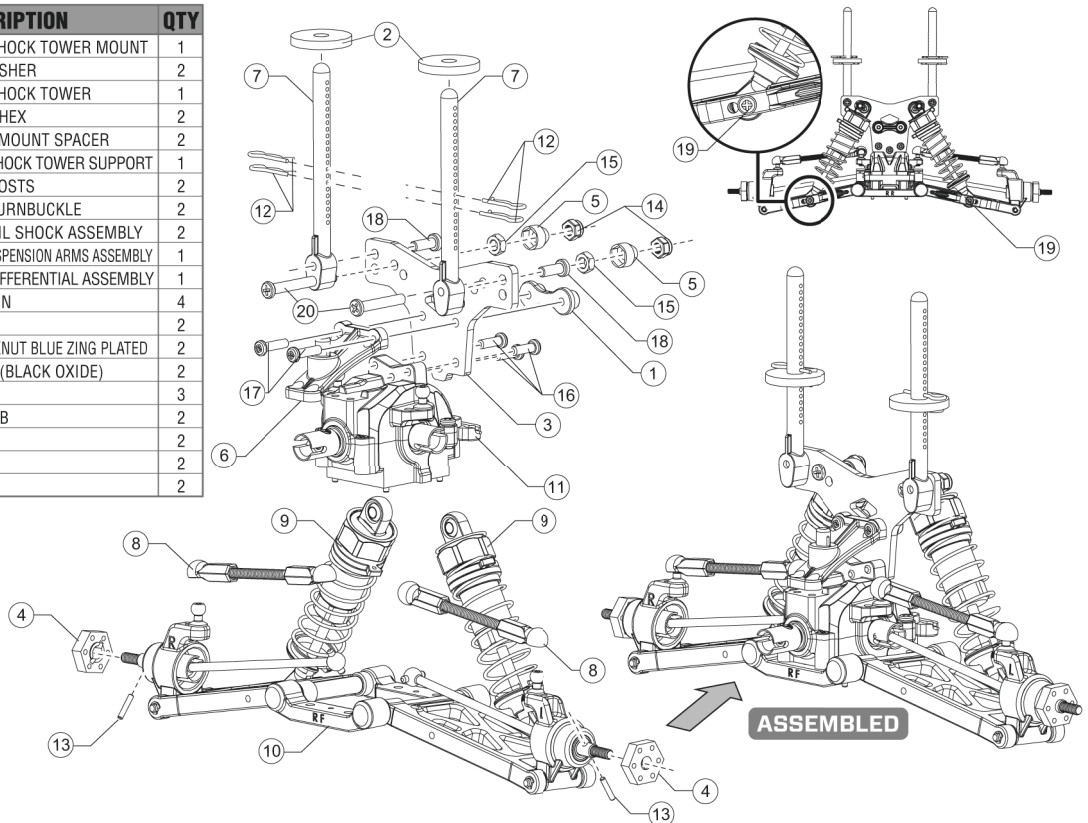
REAR SUSPENSION ARMS ASSEMBLY

PART NUMBER	DESCRIPTION	QTY	
1	EVA-G00003	DIFF OUTDRIVE FOAM STUD	2
2	GT14BP0301-01	LEFT REAR HUB	1
3	GT14BP0303-01	RIGHT REAR HUB	1
4	GT14BP0402-02	REAR ARM	2
5	GT14BP0604	REAR SUSPENSION INNER BRACE	1
6	GT14BP0605	REAR SUSPENSION BRACE	1
7	MASM2327A	DOG BONE	2
8	MASM1624A	WHEEL SHAFT	2
9	MASM1627A	HINGE PIN 27.2mm	2
10	MASM1632A	HINGE PIN BALL	4
11	MASM1803A	4.3 BALL L=10.8	2
12	MASM2017A	SUSPENSION HINGE PIN	2
13	MASM269A	M1.5 E-RING BLACK OXIDE	4
14	ME031A	BEARING 4x8x3mm	4



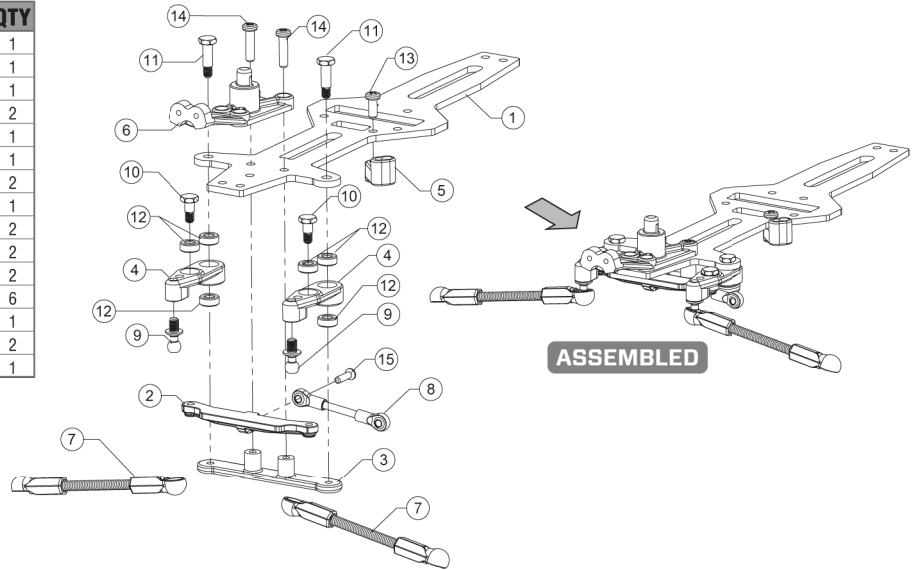
REAR GEAR BOX & OIL SHOCK ASSEMBLY

PART NUMBER	DESCRIPTION	QTY	
1	16MBP0301	REAR SHOCK TOWER MOUNT	1
2	EVA-G00002	EVA WASHER	2
3	FRP-G00063	REAR SHOCK TOWER	1
4	GT14BP0507	WHEEL HEX	2
5	GT14BP0515	SHOCK MOUNT SPACER	2
6	GT14BP0606	REAR SHOCK TOWER SUPPORT	1
7	GT16BEETLEP0301	BODY POSTS	2
8	GT16MT-002	REAR TURNBUCKLE	2
9	GT16MT-003	REAR OIL SHOCK ASSEMBLY	2
10	GT16MT-007	REAR SUSPENSION ARMS ASSEMBLY	1
11	GT16MT-008	GEAR DIFFERENTIAL ASSEMBLY	1
12	MASM090A	SNAP PIN	4
13	MASM245A	PIN	2
14	MASM313A	M3 LOCKNUT BLUE ZINC PLATED	2
15	MASM727A	M3 NUT(BLACK OXIDE)	2
16	SSW-G00081	2.6x8PB	3
17	SSW-G00175	2.6x10PB	2
18	SSW-G00285	3x8PB	2
19	SSW-G00193	3x10PM	2
20	SSW-G00228	3x18BM	2



UPPER DECK & STEERING POST ASSEMBLY

PART NUMBER	DESCRIPTION	QTY
1	FRP-G00030 FRP TOP PLATE	1
2	GT14BP0501 CENTER DRAG LINK	1
3	GT14BP0505 STEERING MOUNT	1
4	GT14BP0512 STEERING ARM	2
5	GT14BP0514 ANTENNA HOLDER	1
6	GT14BP0603 FRONT SHOCK BRACE	1
7	GT16MT-002 MIDDLE TURNBUCKLE	2
8	GT16MT-002 SERVO TURNBUCKLE	1
9	MASM1803A 4.3 BALL L=10.8	2
10	MASM480A KING PIN S	2
11	MASM481A HEX LONG KING PIN PRT	2
12	MASM623A BUSH	6
13	SSW-G00063 2.6x6PB	1
14	SSW-G00175 2.6x10PB	2
15	SSW-G00331 M2x8KB	1



SPARE PARTS LIST

ITEM NO	BARCODE	PRODUCT NAME	PART NO	DESCRIPTION	QTY
14728	4892793147286	GT14B FRONT AND REAR HUB SET	GT14BP0301-01	LEFT REAR HUB	1
			GT14BP0302-01	LEFT SPINDLE	1
			GT14BP0303-01	RIGHT REAR HUB	1
			GT14BP0304-01	RIGHT SPINDLE	1
			GT14BP0305-01	SPINDLE CARRIER LEFT	1
			GT14BP0306-01	SPINDLE CARRIER RIGHT	1
14729	4892793147293	GT14B SUSPENSION ARMS	GT14BP0401-02	FRONT ARMS	2
			GT14BP0402-02	REAR ARMS	2
14730	4892793147309	GT14B BATTERY HOLD DOWN PART/ REAR WING MOUNT	GT14BP0403-01	BATTERY HOLD DOWN	2
			GT14BP0404-01	REAR WING MOUNT FOR GT14B ONLY	2
			GT14BP0405-02	BATTERY HOLD POST	4
14731	4892793147316	GT14B STEERING RACK	GT14BP0501	CENTER DRAG LINK	1
			GT14BP0505	STEERING MOUNT	1
			GT14BP0512	STEERING ARM	2
14732	4892793147323	GT14B PLASTIC PARTS SET	GT14BP0503	REAR CENTER MOUNT	1
			GT14BP0504	REAR SUPPORT	1
			GT14BP0506	SWAYBAR MOUNT CAP FOR GT14B ONLY	1
			GT14BP0508	WING BUTTON FOR GT14B ONLY	2
			GT14BP0511	ANTI ROLL BAR MOUNT R FOR GT14B ONLY	1
			GT14BP0514	ANTENNA HOLDER FOR GT14B ONLY	1
14733	4892793147330	GT14B SLIPPER PLATE	GT14BP0509	SLIPPER PLATE A	1
			GT14BP0510	SLIPPER PLATE B	1
14736	4892793147361	GT14B SERVO SAVER SET	GT14BP0701-01	SERVO SAVER CAP	1
			GT14BP0702-01	SERVO SAVER HORN	1
			GT14BP0703-01	SERVO SAVER ADAPTER	1
14743	4892793147439	GT14B WHEEL SHAFT (PAIR)	MASM1624A	WHEEL SHAFT	2
14744	4892793147446	GT14B CENTER DRIVE CUP	MASM1625A	CENTER DRIVE CUP	2
14745	4892793147453	GT14B SLIPPER SHAFT	MASM1626A	SLIPPER SHAFT	1
14746	4892793147460	GT14B HINGE PIN SET	MASM1627A	REAR HUB PIN	2
			MASM1628A	FRONT HUB PIN	2
			MASM2017A	ARM PIN	4
			MASM1632A	ARM PIN BALL HEAD	4
			MASM269A	E-RING	8
14750	4892793147507	GT14B UPPER DECK	FRP-G00030	UPPER DECK	1
14755	4892793147552	GT14B TIE ROD	MASM650A	SERVO SCREW ROD	1
			SSW-G00595	TIE ROD	6
14775	4892793147750	GT14B SPUR GEAR 66T	GT14BP0704-01	SPUR GEAR 66T	1
14804	4892793148047	SHOCK O-RING SET	RBP-G00010	SHOCK DIAPHRAGM	4
			RBP-G00014	O-RING 2.9x1.78mm	8
			RBP-G00012	O-RING	4
14805	4892793148054	SHOCK SHAFT SET	MASM053A	E-RING	8
			MASM1684A	FRONT OIL SHOCK SHAFT	2
			MASM1685A	REAR OIL SHOCK SHAFT	2
14920	4892793149204	GT16 MONSTER BEETLE WHEELS & TYRES SET (YELLOW)	MAT-016-TA-00008	WHEELS & TYRES SET	2

SPARE PARTS LIST

ITEM NO	BARCODE	PRODUCT NAME	PART NO	DESCRIPTION	QTY
14919	4892793149198	GT16 MONSTER BEETLE BUMPER SET (UN-PAINTED)	GT16BEETLEP0601	GT16 BEETLE FRONT BUMPER	1
			GT16BEETLEP0303	GT16 BEETLE TAIL PIPE	1
			GT16BEETLEP0602	GT16 BEETLE EXHAUST PIPE - A	1
			GT16BEETLEP0603	GT16 BEETLE EXHAUST PIPE - B	1
			GT16BEETLEP0604	GT16 BEETLE REAR BUMPER	1
			GT16BEETLEP0408	GT16 BEETLE EXHAUST PIPE MOUNT - LEFT	1
			GT16BEETLEP0409	GT16 BEETLE EXHAUST PIPE MOUNT - RIGHT	1
			GT16BEETLEP0605	GT16 BEETLE REAR CRASHGUARD	1
			16MBP0303	GT16 MONSTER BEETLE REAR BUMPER EXTENSION	1
			GT16BEETLEP0606	GT16 BEETLE FRONT BUMPER MOUNT	1
			SSW-G00190	SCREW 3x10KM	5
			GT16BEETLEP0607	GT16 BEETLE REAR BUMPER MOUNT	1
			MASM727A	M3 NUT (BLACK OXIDE)	5
			SSW-G00144	SCREW 2x6PB BLACK OXIDE (D=3.5)	4
			SSW-G00104	SCREW 2x10PB	4
			SSW-G00077	SCREW 2.6x8KB BLACK OXIDE(D=4.8)	4
			SSW-G00035	SCREW 2.6x12PB	2
SSW-G00175	SCREW 2.6x10PB BLACK OXIDE (D=4.2)	2			
14922	4892793149228	GT14 / 16B / 16MB PLASTIC OIL SHOCK SET	MAT-016-SA-00017	FRONT OIL SHOCK ASSEMBLED	2
			MAT-016-SA-00018	REAR OIL SHOCK ASSEMBLED	2
14924	4892793149242	GT16 MONSTER BEETLE 370 MOTOR MOUNT	16MBP0401	370 MOTOR MOUNT	1
14926	4892793149266	GT16 MONSTER BEETLE FRONT SHOCK TOWER	FRP-G00062	FRONT SHOCK TOWER	1
14927	4892793149273	GT16 MONSTER BEETLE REAR SHOCK TOWER	FRP-G00063	REAR SHOCK TOWER	1
14928	4892793149280	GT16 MONSTER BEETLE MAIN CHASSIS	FRP-G00064	MAIN CHASSIS	1
14929	4892793149297	GT16 MONSTER BEETLE HING PIN BRACE SET	16MBP0302	FRONT HING PIN	1
			GT14BP0601-01	FRONT HING PIN BRACE	1
			GT14BP0604	REAR INNER HINGE PIN BRACE	1
			GT14BP0605	REAR OUTER HINGE PIN BRACE	1
14930	4892793149303	GT16 MONSTER BEETLE DUST COVER SET	GT16MBB0101	TOP DUST COVER	1
			GT16MBB0102	BOTTOM DUST COVER	1
			MASM1366A	SNAP PIN	2
14939	4892793149396	GTB BALL CUP SET	GTBP0201-01	ROD BALL CAP	6
			GTBP0202-01	GTB ANTI ROLL BAR LINK	2
14982	4892793149822	GT14B METAL GEAR AND PINS SET	MASM2158A	BEVEL GEAR 12T	4
			MASM2156A	BEVEL GEAR 15T	1
			MASM2157A	BEVEL GEAR 24T	2
			MASM2155A	BEVEL GEAR 37T	1
			MASM2160A	PIN	2
15021	4892793150217	GT16MT ROOF RACK SET	RACKP0101	ROOF RACK UPPER	1
			RACKP0102	ROOF RACK LOWER	1
			M40DTP0303SV	TOP SIDE LIGHT COVER	4
			M40DTP0304	TOP SIDE LIGHT CUP	4
			M40DTP0402	TOP SIDE LIGHT LEN	4
			SSW-G00066	SCREW 2.6x6PWB	4
			SSW-G00158	SCREW 2x8PB	4
SSW-G00100	SCREW 2x6PWB	4			
15022	4892793150224	GT16MT PAINTED + DECORATED BODY	LCB-G00035	GT16MT PAINTED BODY	1
			DCC-G00285	STICKER SHEET	1
			DCL-G00318	CARISMA LOGO STICKER	1
			MASM090A	SNAP PIN	4
15023	4892793150231	GT16MT STICKER SHEET	DCC-G00285	STICKER SHEET	1
15058	4892793150583	GT16MT CLEAR BODY SET	LCB-G00042	GT16MT CLEAR BODY	1
			DCC-G00285	STICKER SHEET	1
			DCL-G00318	CARISMA LOGO STICKER	1
			MASM090A	SNAP PIN	4
15059	4892793150590	GT16MB / GT16MT BEARING SET	MASM033A	BEARING 8x12x3.5mm	2
			MASM083A	BEARING 4x7x2.5	1
			MASM084A	BEARING 5x9x3mm	2
			MASM270A	BEARING 7x11x3mm	1
			ME031A	BEARING 4x8x3mm	9
15061	4892793150613	GT16MT HARDWARE SET	SSW-G00020	SCREW 2.6x10KB	4
			SSW-G00034	SCREW 2.6x12KB	4
			SSW-G00035	SCREW 2.6x12PB	2
			SSW-G00053	SCREW 2.6x6KB	11
			SSW-G00063	SCREW 2.6x6PB	3
			SSW-G00066	SCREW 2.6x6PWB	4
			SSW-G00077	SCREW 2.6x8KB	8
			SSW-G00081	SCREW 2.6x8PB	14
			SSW-G00088	SCREW 2.6x8PWB	2
			SSW-G00100	SCREW 2x6PWB D4.5	4
			SSW-G00104	SCREW 2x10PB	4
			SSW-G00144	SCREW 2x6PB	6
			SSW-G00147	SCREW 2x6KB	6
			SSW-G00158	SCREW 2x8PB	4
			SSW-G00175	SCREW 2.6x10PB	8
			SSW-G00190	SCREW 3x10KM	5
			SSW-G00193	SCREW 3x10PM	4
			SSW-G00228	SCREW 3x18BM	4
			SSW-G00284	SCREW 3x8PB	1
			SSW-G00285	SCREW 3x8PB	4
			SSW-G00331	SCREW M2x8KB	2
			SSW-G00454	SCREW 2.6x10cm	4
			SSW-G00470	SCREW 2x6KM	1
			SSW-G00659	SCREW 1.4x8KB D2.5	4
			SSW-G00661	SCREW 1.4x6KM D2.5	2



Visit Us on www.carisma.com.hk

©2013 Carisma. All Rights Reserved. Product specifications are subject to change. Some models shown are prototypes which may vary slightly from what is inside.

