

450 Scale Fuselage 500E

INSTRUCTION MANUAL

使用說明書



Thank you for buying ALIGN products. Please read this manual carefully before assembling. We recommend that you keep this manual for future reference regarding tuning and maintenance.

承蒙閣下選用亞拓遙控世界系列產品，謹表謝意。進入遙控世界之前必須告訴您許多相關的知識與注意事項，以確保您能夠在學習的過程中較得心應手。在開始操作之前，請務必詳閱本說明書，相信一定能夠給您帶來相當大的幫助，也請您妥善保管這本說明書，以作為日後參考。

Contents	
1	INTRODUCTION 前言
1~2	SAFETY NOTES 安全注意事項
3	PREPARATION BEFORE ASSEMBLING 組裝前準備事項
4~6	ASSEMBLY STEPS 組裝步驟

Thank you for buying ALIGN Products. 450 scale fuselage 500E is designed as an easy to use. Please read the manual carefully before assembling the model, and follow all precautions and recommendations located within the manual. Be sure to retain the manual for future reference, routine maintenance, and tuning. The scale fuselage is designed for ALIGN T-REX 450 Helicopter series use. You can easily put it on your T-REX 450 for new clothing.

感謝您選購亞拓產品，為了讓您容易方便的使用 450像真機殼500E，請您詳細的閱讀完這本說明書之後再進行組裝以及操作這台直昇機，同時請您妥善的保存這本說明書、作為日後進行調整以及維修的參考。本像真機殼為針對亞拓 T-REX450系列直昇機之規格所設計，只要您擁有 T-REX450，就可輕鬆為牠換件新衣，讓您成為眾所注目的焦點。

IMPORTANT NOTES 重要聲明

R/C helicopters are not toys. R/C helicopter utilize various high-tech products and technologies to provide superior performance. Improper use of this product can result in serious injury or even death. Please read this manual carefully before using and make sure to be conscious of your own personal safety and the safety of others And your environment when operating all ALIGN products.

Manufacturer and seller assume no liability for the operation or the use of this product.

Intended for use only by adults with experience flying remote control helicopters at a legal flying field. After the sale of this product we cannot maintain any control over its operation or usage. After assembling the scale fuselage, the weight will increase and the structure will be more complex, so we recommend not flying 3D to avoid any accident and damage.

遙控直昇機並非玩具，它是結合了許多高科技產品所設計出來的休閒用品，所以商品的使用不當或不熟悉都可能會造成嚴重傷害甚至死亡，使用之前請務必詳讀本說明書，勿輕忽並注意自身安全。注意！任何遙控直昇機的使用，製造商和經銷商是無法對使用者於零件使用的損耗異常或組裝不當所發生之意外負任何責任，本產品是提供給有操作過模型直昇機經驗的成人或有相當技術的人員在旁指導於當地合法遙控飛行場飛行，以確保安全無虞下操作使用，產品售出後本公司將不負任何操作和使用控制上的任何性能與安全責任。安裝像真機殼後由於重量加重，且增加了結構的複雜性，故不建議進行3D飛行，以免發生不可預期的意外及損失。

R/C products require a certain degree of skill to operate, and is a consumer item. Any damage or dissatisfaction as a result of accidents or modifications are not covered by any warrantee and cannot be returned for repair or replacement. Please contact our distributors for free technical consultation and parts at discounted rates when you experience problems during operation or maintenance.

模型商品屬於需高操作技術且為消耗性之商品，如經拆裝使用後，會造成不等情況零件損耗，任何使用情況所造成商品不良或不滿意，將無法於保固條件內更換新品或退貨，如遇有使用操作維修問題，本公司全省分公司或代理商將提供技術指導、特價零件供應服務。

2. ASSEMBLY ILLUSTRATION 組裝前準備事項

450 scale fuselage 500E, suitable for T-REX 450 Helicopter series.

450像真機殼500E，適用於T-REX 450遙控直昇機系列。

Before Assembling

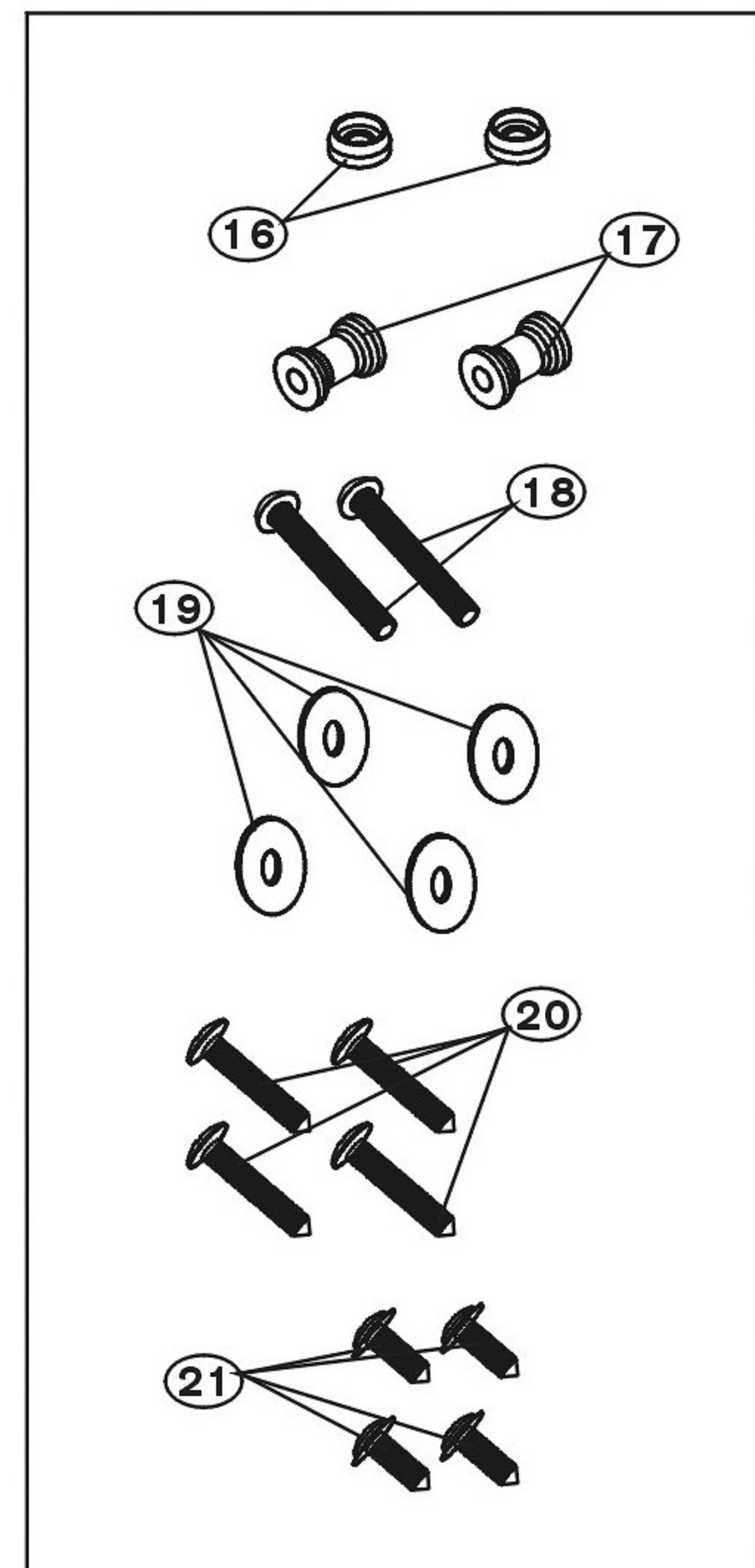
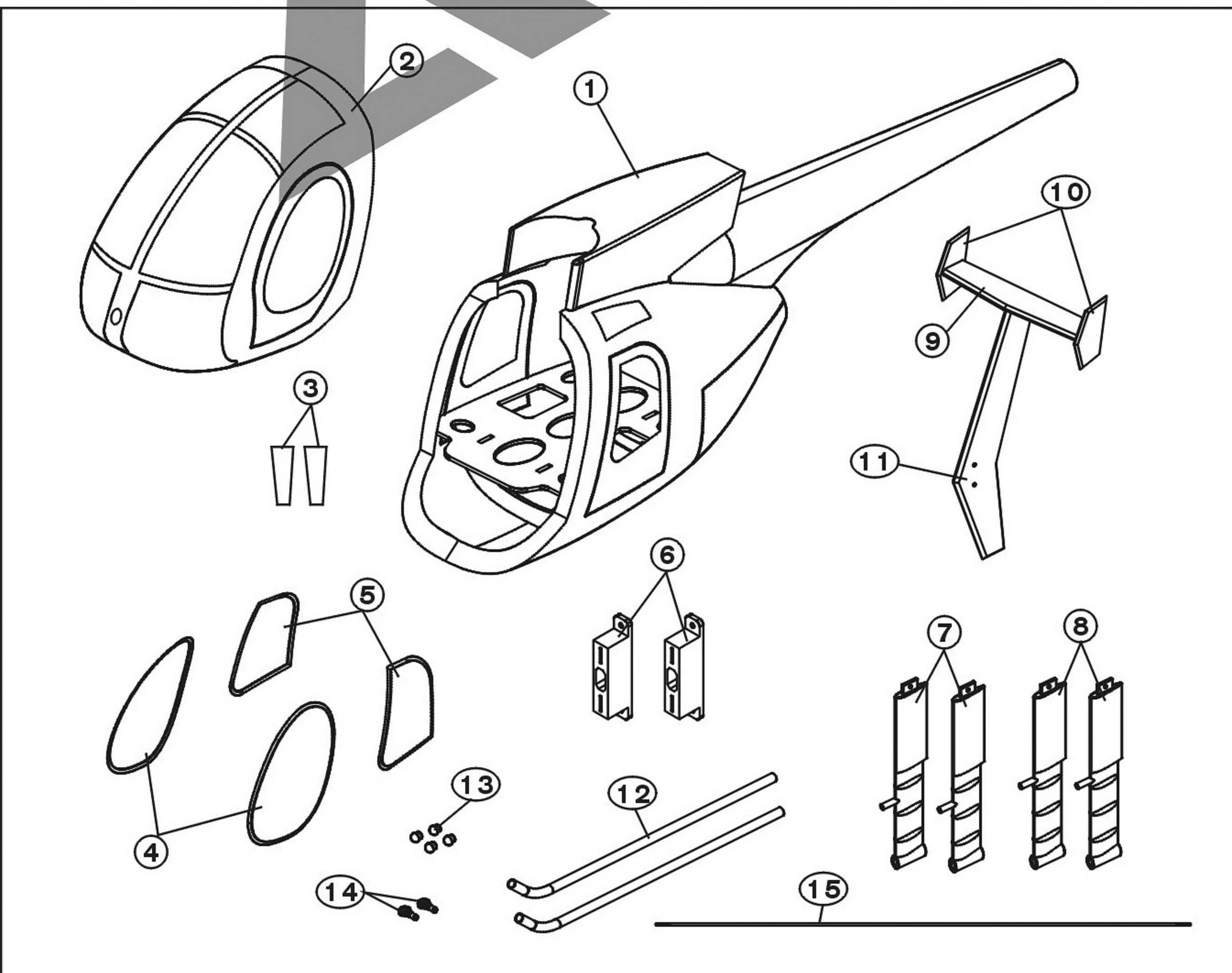
1、Check for all the parts in the list come with the manual.

2、Some basic tools are needed to help the assembly.

組裝前準備事項

1、組裝之前請先確定內容物是否有缺失，仔細詳對後方可進行組裝。

2、組裝過程裡需要一些簡單的工具協助組裝。



3.ASSEMBLY ILLUSTRATION 組裝前準備事項

ALIGN

- 1.500E Fuselage x 1
- 2.500E Canopy x 1
- 3.500E Top window x 2
- 4.500E Front window x 2
- 5.500E Rear window x 2
- 6.Height retainer x 2
- 7.Front landing skid x 2
- 8.Rear landing skid x 2
- 9.Horizontal Stabilizer x 1
- 10.Tip fin x 2
- 11.Vertical stabilizer x 1
- 12.Skid pipe x 2
- 13.Skid pipe end cap x 2
- 14.Ball link(Long) x 2
- 15.500E Rudder control rod ($\phi 1.3 \times 300\text{mm}$) x 1
- 16.M2 specialty washer x 2
- 17.Aluminum link x 2
- 18.Screw (M2x20mm) x 2
- 19.M2 Washer ($\phi 2.2 \times \phi 5 \times 0.5\text{mm}$) x 4
- 20.Screw (T2x14mm) x 4
- 21.Screw (T2.3x8mm) x 4

- 1.500E 機殼 x 1
- 2.500E 機艙罩 x 1
- 3.500E 上窗蓋 x 2
- 4.500E 前窗蓋 x 2
- 5.500E 後窗蓋 x 2
- 6.頂高架 x 2
- 7.前腳架 x 2
- 8.後腳架 x 2
- 9.水平翼 x 1
- 10.水平翼垂直片 x 2
- 11.垂直翼 x 1
- 12.腳架鋁管 x 2
- 13.腳架鋁管保護套 x 4
- 14.連桿頭(長) x 2
- 15.500E尾舵控制連桿 ($\phi 1.3 \times 300\text{mm}$) x 1
- 16.M2特殊華司 ($\phi 2 \times \phi 5 \times 2\text{mm}$) x 2
- 17.上下側板接合鋁柱 ($\phi 2 \times \phi 5 \times 7.5\text{mm}$) x 2
- 18.圓頭十字螺絲 (M2x20mm) x 2
- 19.M2華司 ($\phi 2.2 \times \phi 5 \times 0.5\text{mm}$) x 4
- 20.圓頭十字自攻螺絲 (T2x14mm) x 4
- 21.華司面自攻螺絲 (T2.3x8mm) x 4

Tool

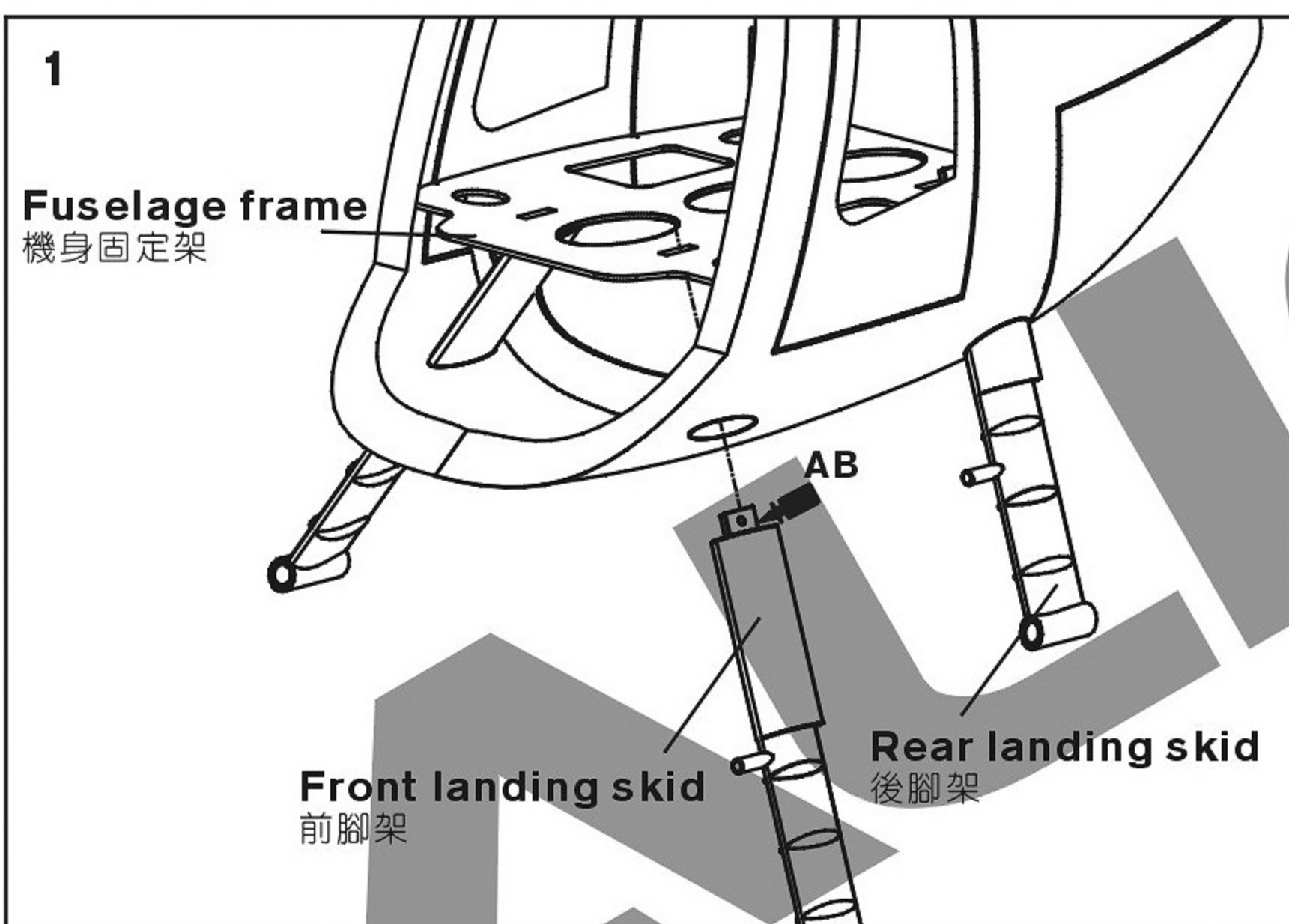
- 1、Cutter knife
- 2、Hexagon screw driver
- 3、Phillips screw driver
- 4、File
- 5、Diagonal cutting pliers
- 6、Fine sandpaper
- 7、CA glue
- 8、AB glue
- 9、Scissors

自備工具

- 1、美工刀
- 2、六角起子
- 3、十字起子
- 4、銼刀
- 5、斜口鉗
- 6、細砂紙
- 7、瞬間膠
- 8、AB膠
- 9、剪刀

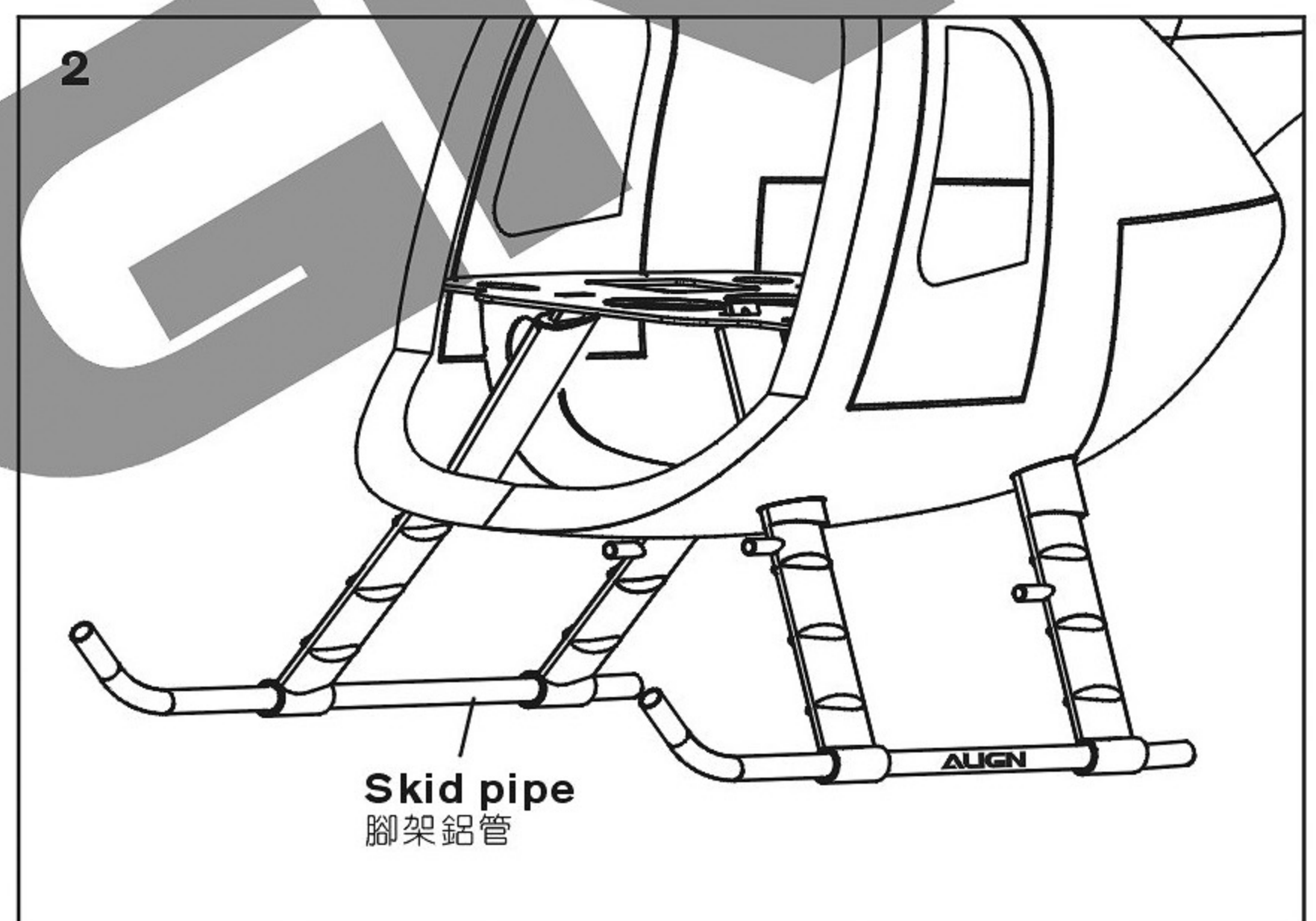
4.ASSEMBLY STEPS 組裝步驟

ALIGN



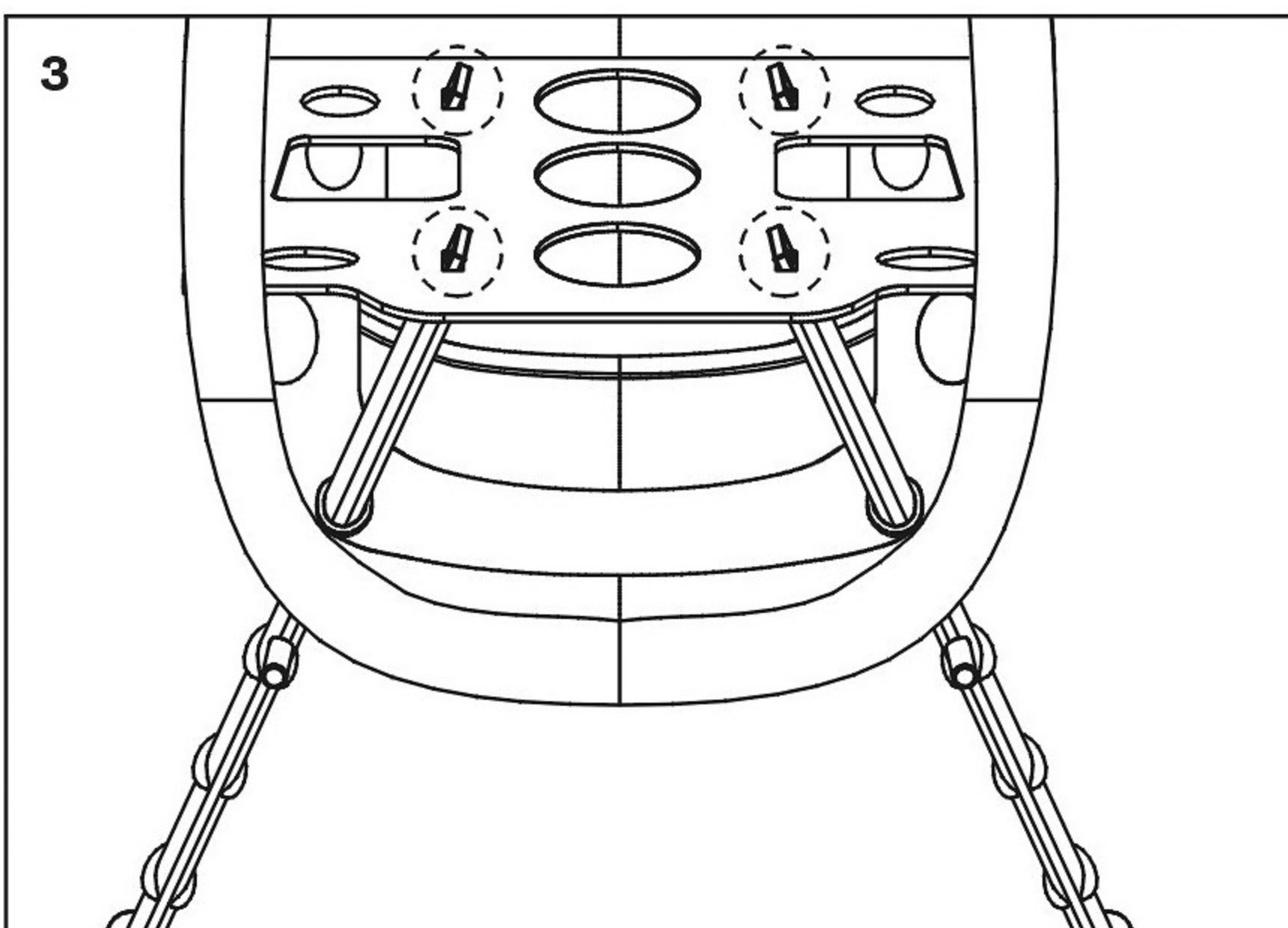
Apply AB glue at the marked position on the landing skid. Then insert to the fuselage and wait until dry.

如標示處，將腳架上端面塗上AB膠，然後穿入機殼，使腳架上端面與機身固定架之預留孔膠合，並靜置乾固。



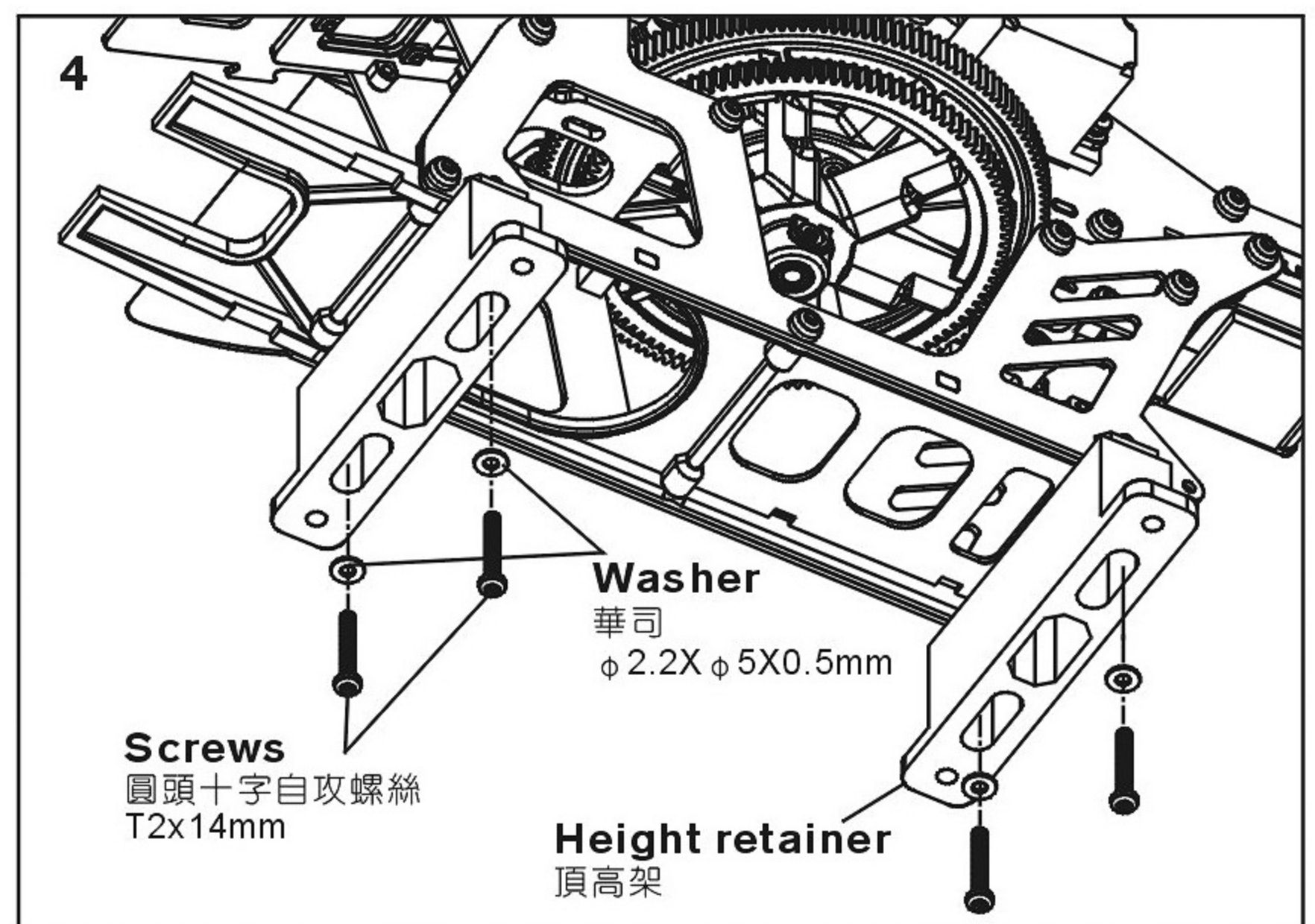
Insert the skid pipes (two pieces) into the front and rear landing skids as illustration.

如圖所示，腳架鋁管(兩支)穿入前、後腳架。



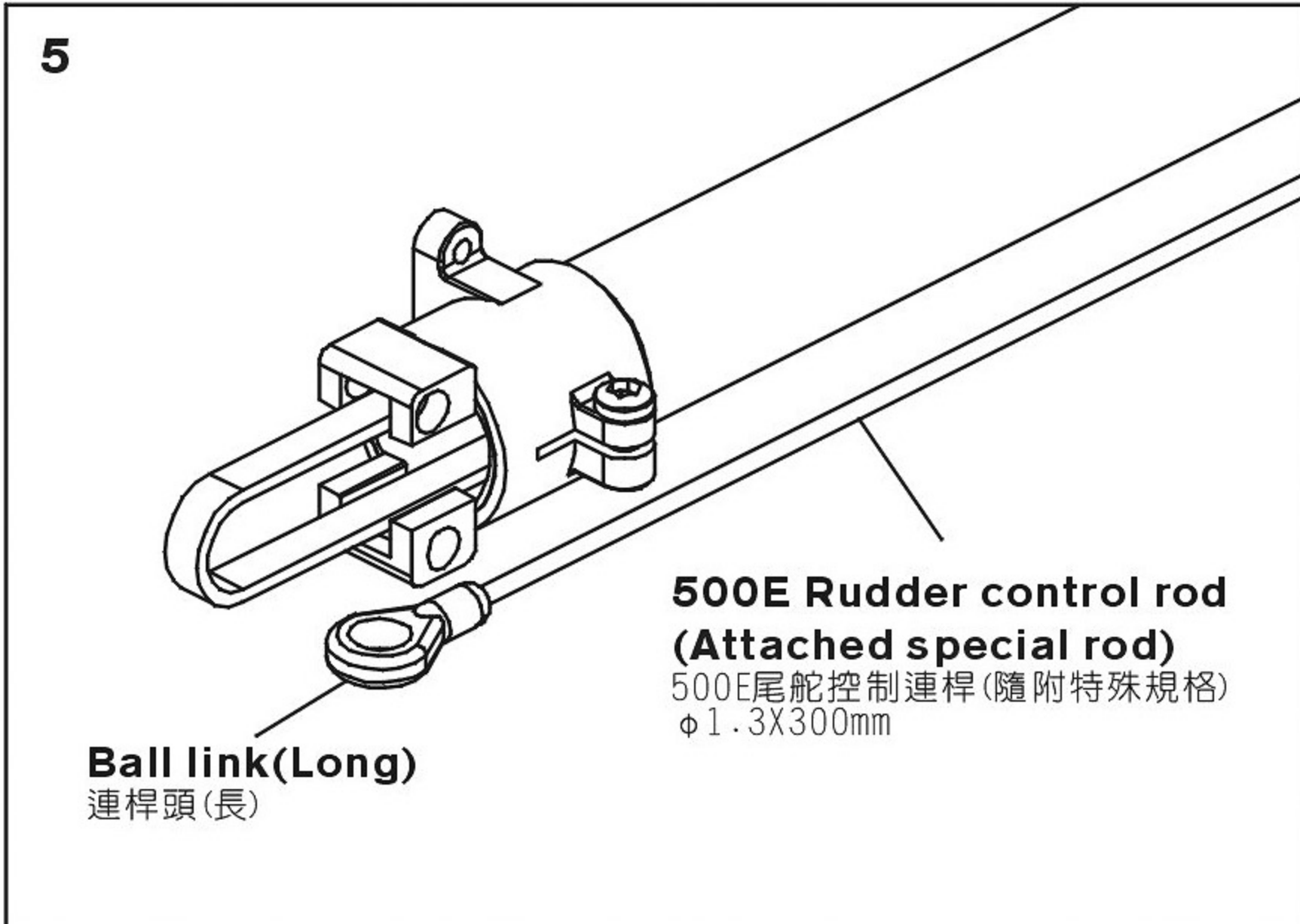
Use a knife to cut the protruding part and sandpaper to make it smooth.

使用刀片將腳架凸出部分去除且使用細砂紙磨平。



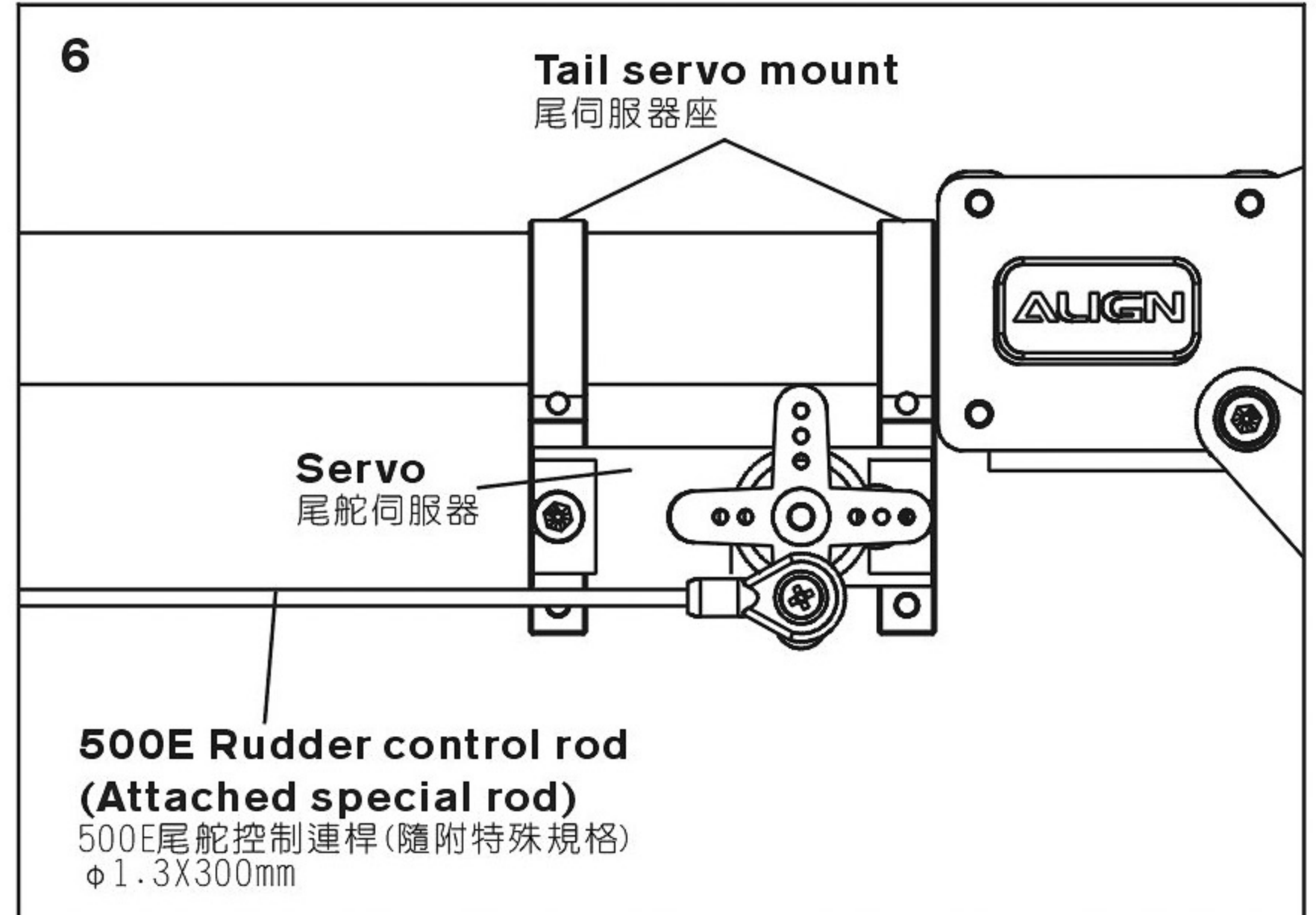
Remove the landing skid of Trex450 helicopter and fix the height retainer on T-REX bottom plate with screws T2x14 and M2 washers.

拆除T-REX450腳架，以圓頭十字自攻螺絲T2x14mm及M2華司將頂高架固定於T-REX底板。



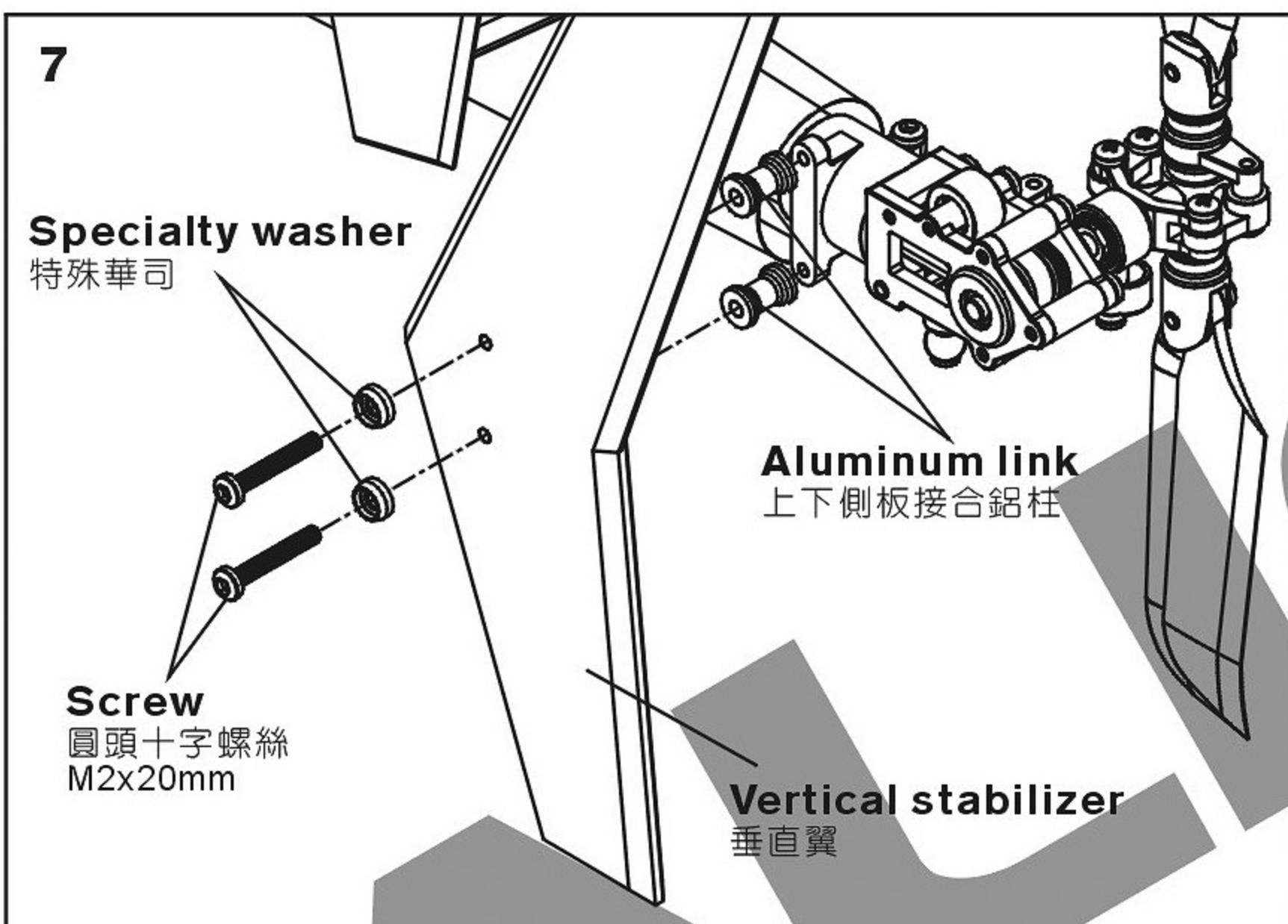
Remove the tail boom brace, horizontal and vertical stabilizers, and tail case (L/R).

將直昇機尾管支撐架、水平翼、垂直翼、尾組齒輪座左右等零件拆下以便穿入機殼。



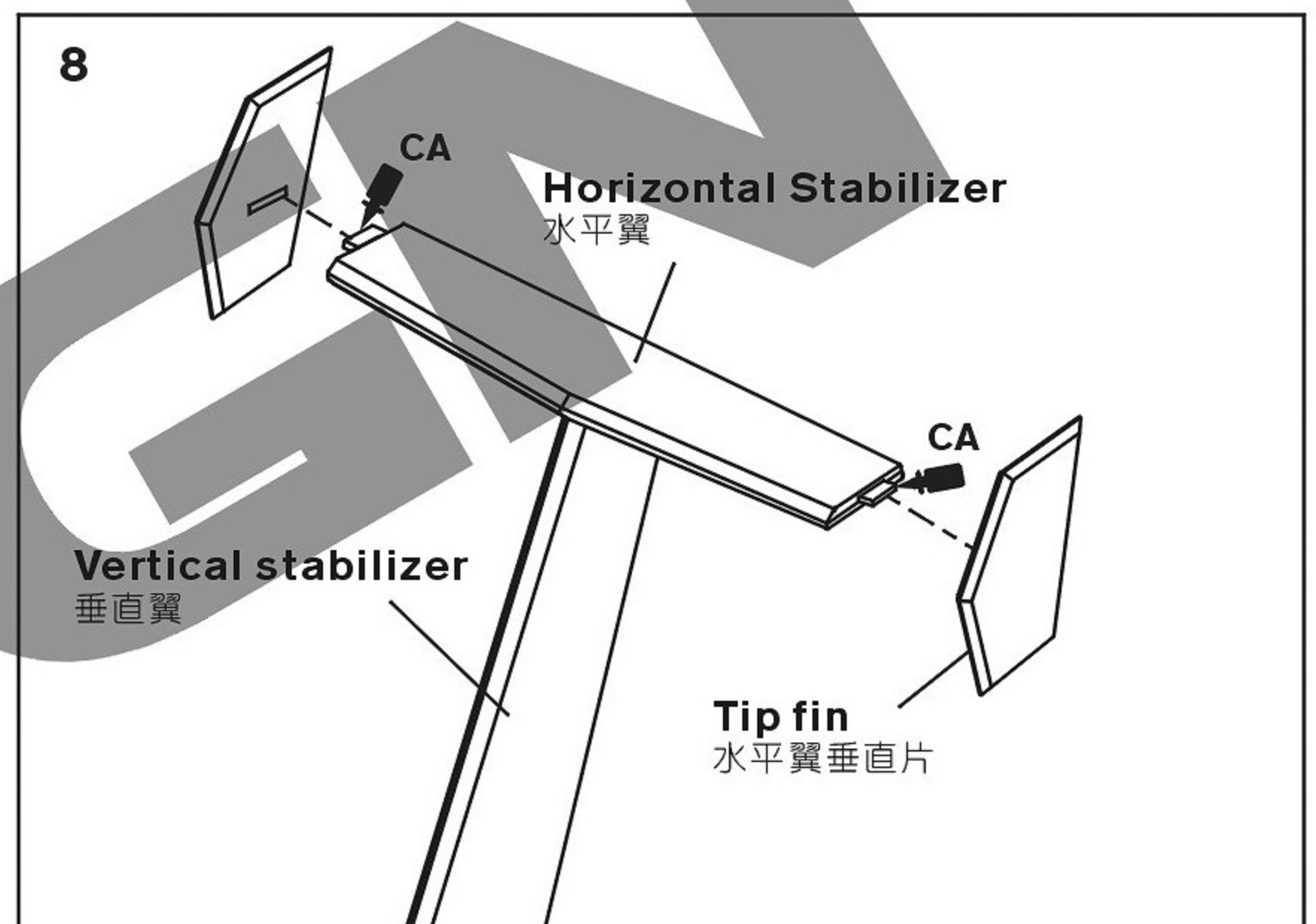
Install a tail servo on the tail boom as illustration and switch to 500E attached special rudder control rod φ1.3x300mm.

如圖所示，將尾舵伺服器貼齊尾管固定座，並更換隨附特殊φ1.3X300mm的500E尾舵控制連桿。



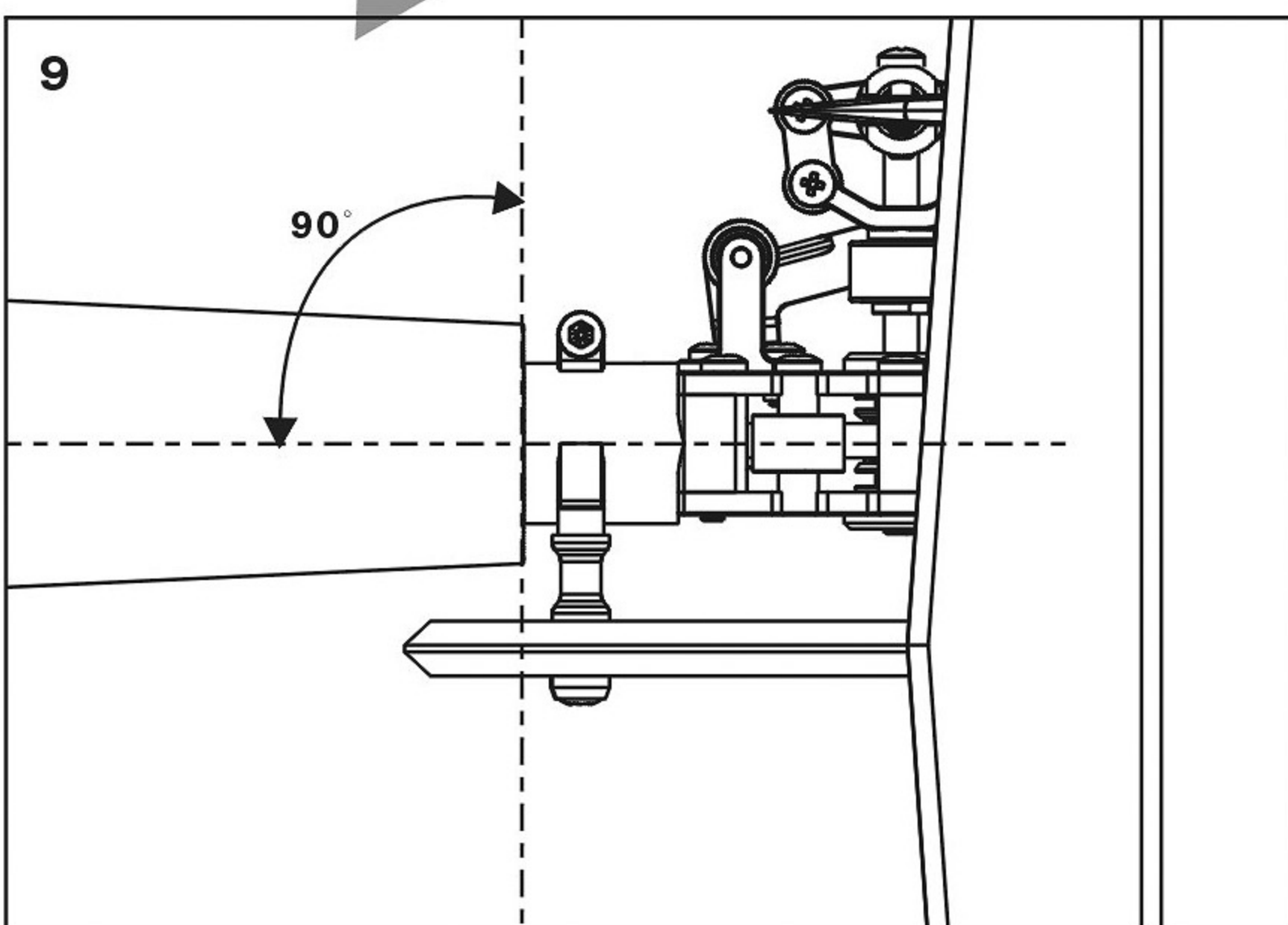
Assemble the helicopter into the fuselage and re-install tail rotor assembly step by step. Then assemble the vertical stabilizer as illustration.

將T-REX機身穿入機殼，使尾管露出機殼尾部，再將原本拆下的尾旋翼組依序裝回，接著如圖示裝上垂直翼。



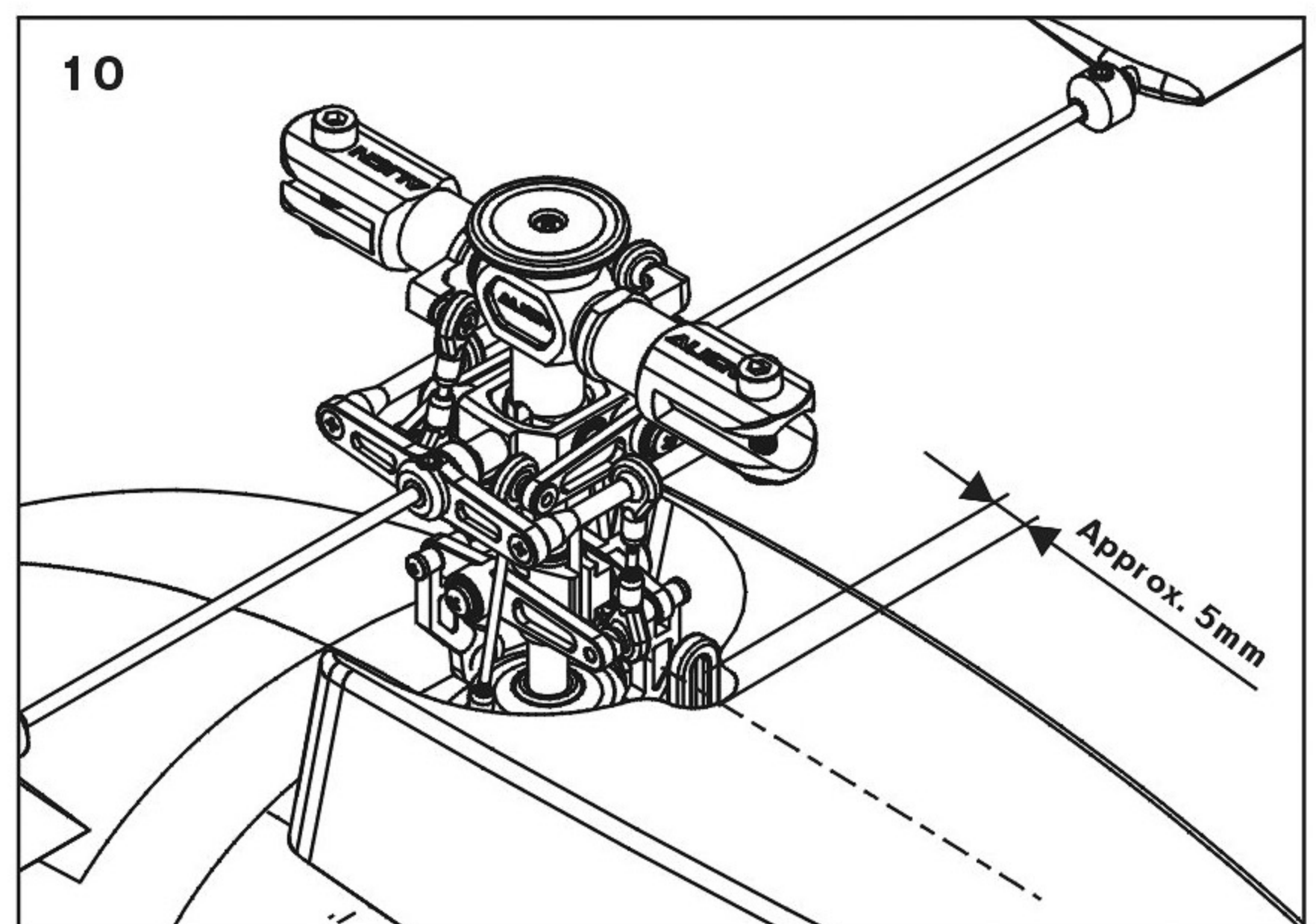
Apply some CA glue on the joints of horizontal stabilizer and tip fins and keep them vertical. Apply some CA glue on the joints of vertical stabilizer and horizontal stabilizer and keep horizontal.

如圖所示，水平翼與水平翼左、右垂直片安裝處點上瞬間膠並保持垂直貼附；垂直翼與水平翼安裝處點上瞬間膠並保持水平貼附。



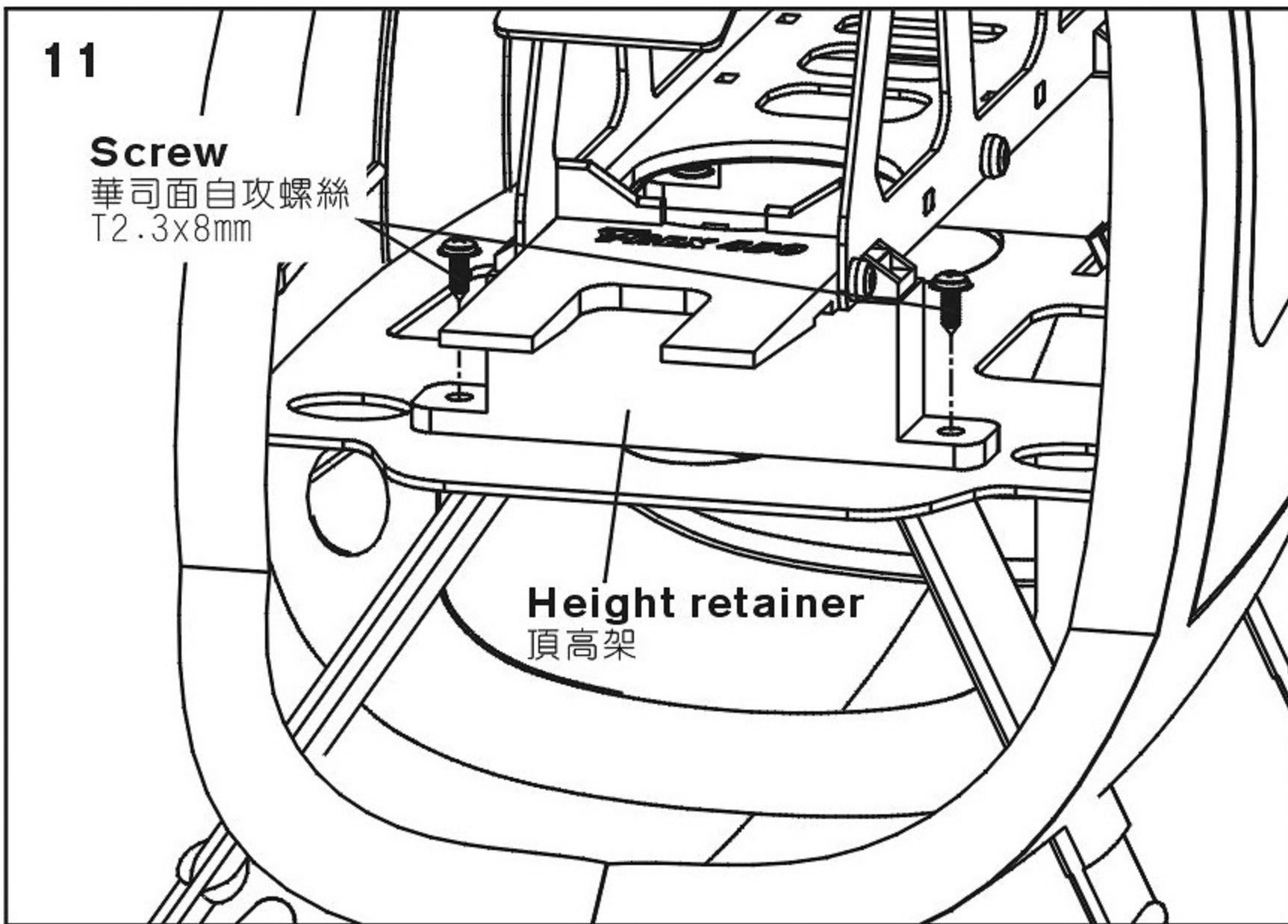
Adjust the fixing position of the height retainer and keep the center lines of the tail boom and the fuselage at the same level.

調整機身頂高架的位置，使尾管與機殼在同一中心線上。



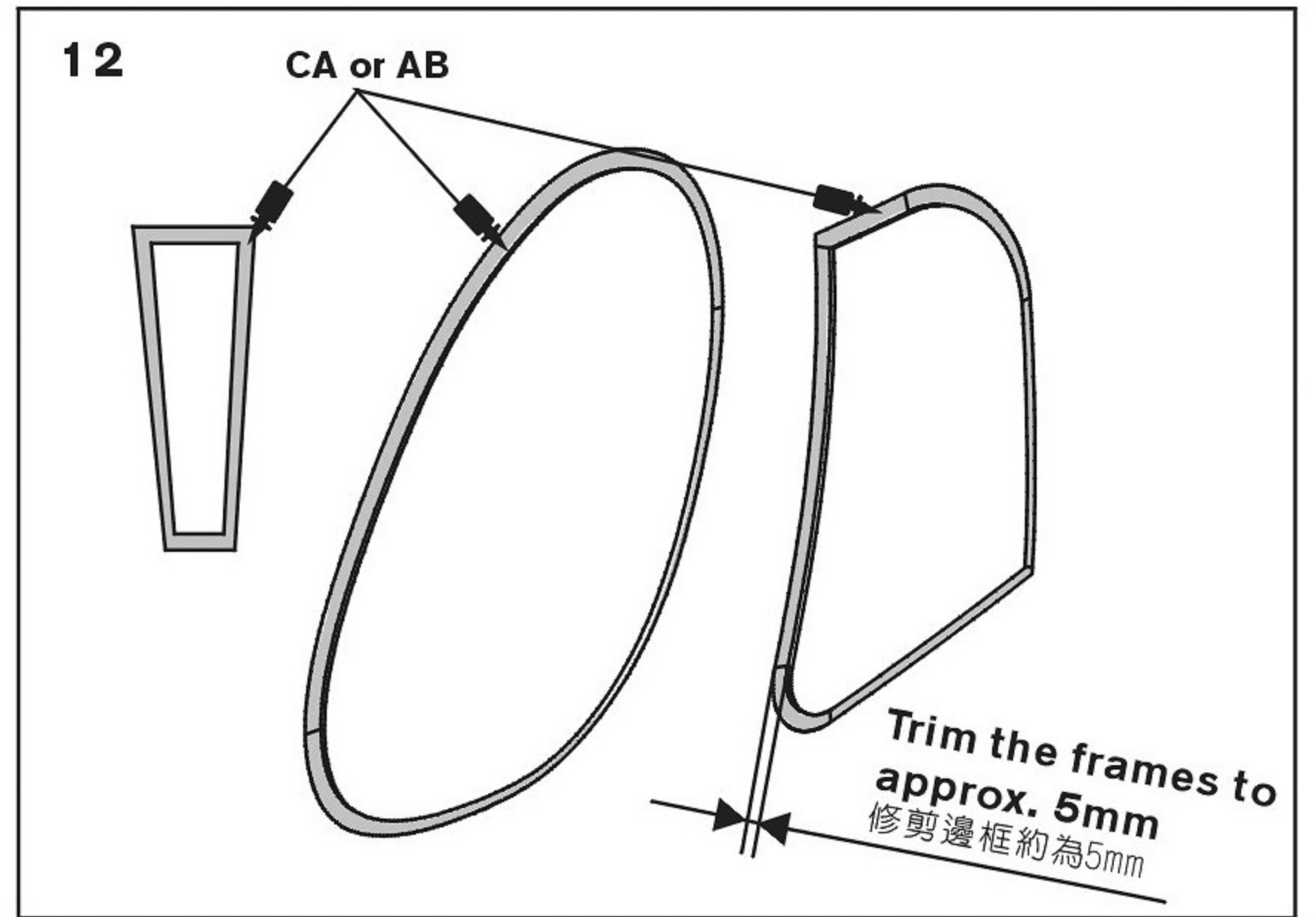
After Step 9, adjust the fixing position of the height retainer and make the main rotor head assembly at the center line of the fuselage. Note to keep 5mm gap between the anti-rotation bracket and the fuselage.

接步驟9，調整機身頂高架位置使旋翼頭組位於機殼的中心線上，注意十字盤導板與機殼須保留約5mm的間隙。



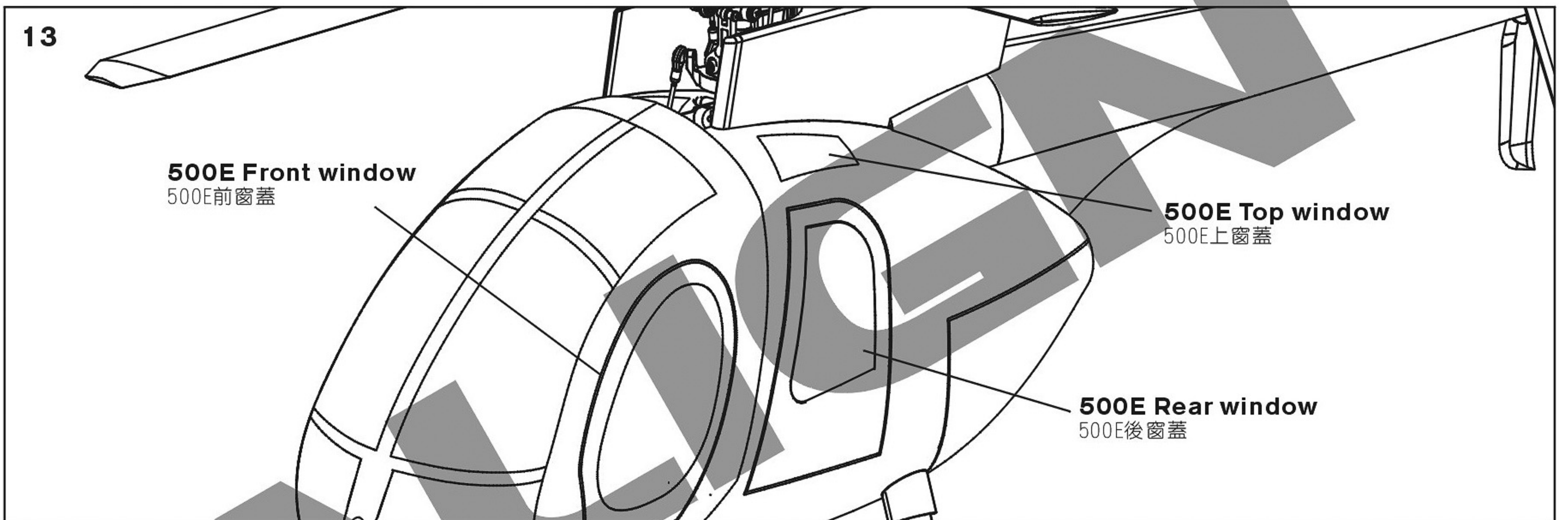
**After the adjustment, fix the height retainer and the fuselage frame with screws T2.3x8mm.
(NOTE: Use a screw driver through the top window to fix the rear height retainers.)**

將位置調整好後，以T2.3x8mm華司面螺絲將頂高架與機身固定架鎖附固定。(PS.後頂高架可將螺絲起子由機殼上窗蓋穿入鎖附。)



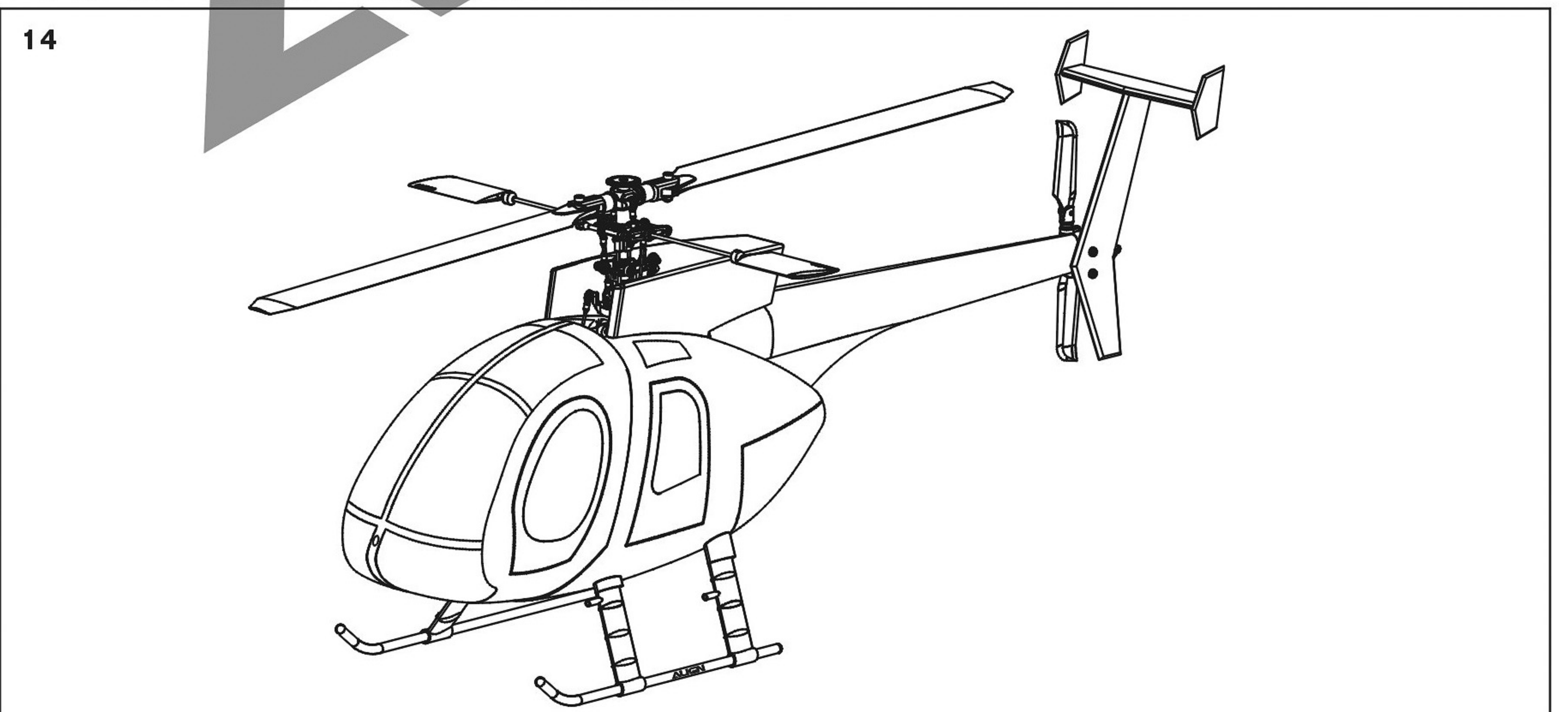
Apply some CA glue or AB glue on the canopy as illustration.

如圖標示位置，於機艙罩點上瞬間膠或AB膠後，固定在機殼上。



Assemble the front and rear windows on the fuselage as illustration (Recommend not assembling the rear windows to increase the airflow efficiency.)

如圖所示，將窗蓋貼附於機殼上(建議後窗蓋不安裝以增加散熱效果)。



Complete illustration

Before flying, please carefully check every part again to make sure all parts are firmly secured without any interference.

組立完成圖。
請詳細檢查各部位是否確實鎖緊與固定，並確認無干涉情形後才可飛行。



Specifications & Equipment/規格配備:

Length/機身長: 685mm

Height/機身高: 327mm

Width/機身寬: 162mm

Weight/空機重: 305g

Suitable for ALIGN T-REX450 series

適合ALIGN T-REX 450 機型

