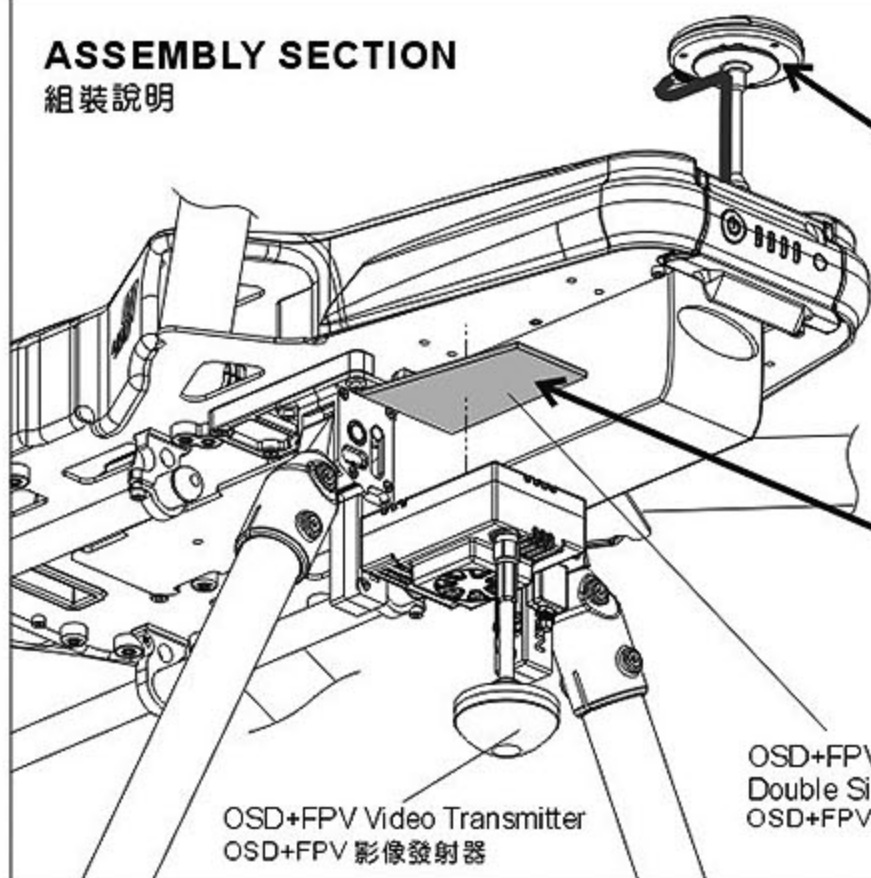


SPECIFICATIONS 規格數據

Selectable Channels 可切換的頻道數	32 CH
Operating Temperature 工作溫度	-20°C~65°C
Input Voltage 輸入電壓	DC12V(3S)
Dimension 尺寸	64x43.8x29.5 mm
Weight 重量	54.4g(w/o Antenna) (不含天線) 65g(With Antenna)(含天線)

ASSEMBLY SECTION

組裝說明



WARNING 警告

Before power up, make sure the antenna is installed and screwed firmly on OSD unit. If the antenna is not well installed, it'll cause the transmission module burn.

開機前請確認天線已安裝並鎖緊，如果未安裝天線會造成發射模塊燒毀。

CAUTION 注意

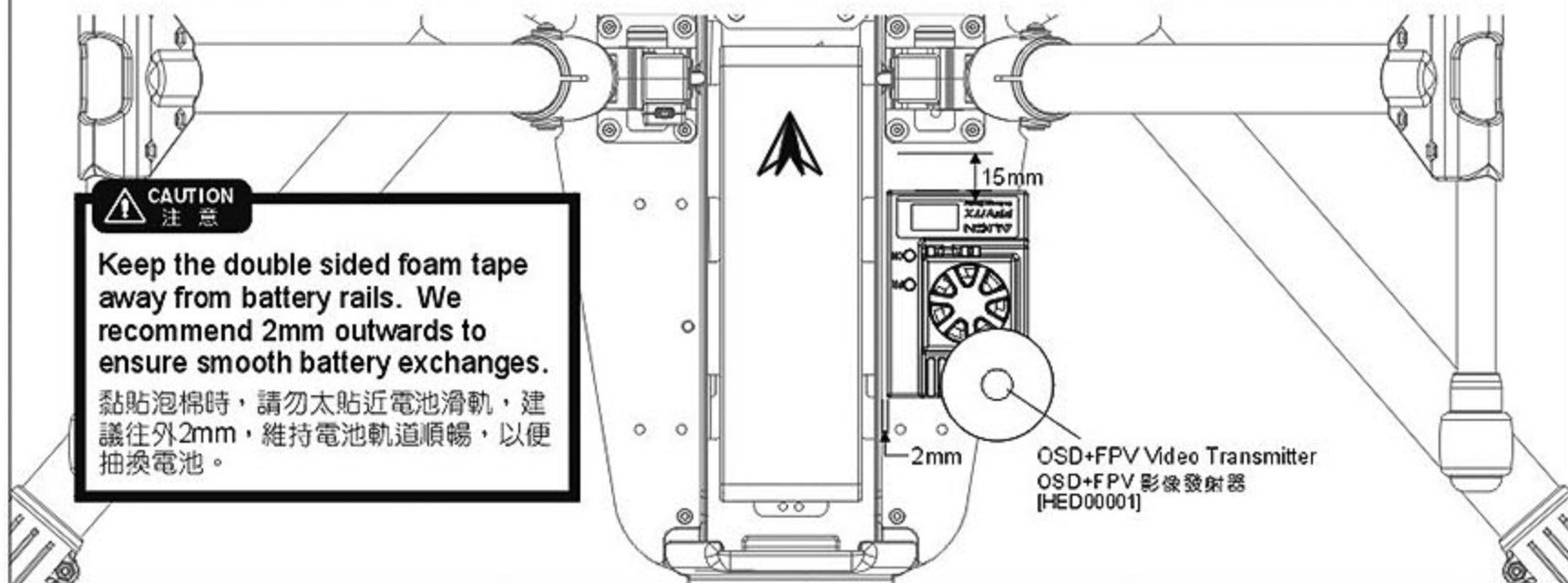
The included double sided tape can be trimmed, and installed as shown in following diagram.

原廠泡棉尺寸若微突出機身可適時切割。



The wiring ports of OSD+FPV video transmitter should face the nose of aircraft. The included double sided tape can be trimmed, and installed as shown in following diagram.

OSD+FPV影像發射器插線端口請朝機頭方向，並依下方圖示比對預黏貼泡棉位置。原廠泡棉尺寸若微突出機身可適時切割。

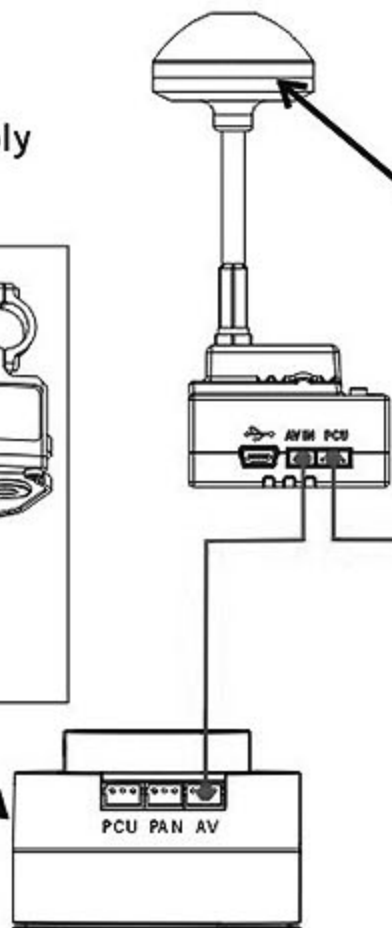
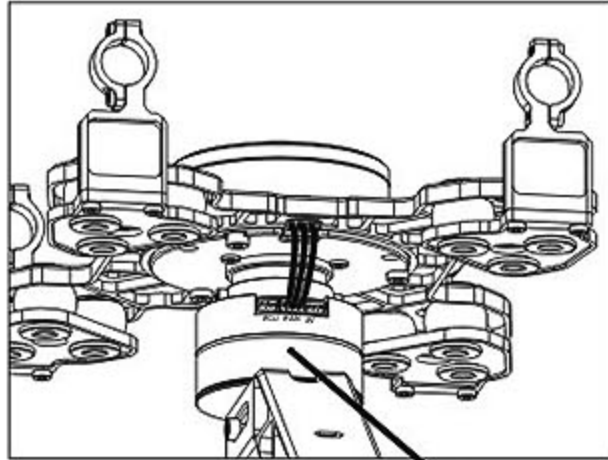


WIRING DIAGRAM

接線示意圖

G3-GH/G3-5D Gimbal Assembly

G3-GH/G3-5D雲台組
[RGG301X]/[RGG302X]



WARNING
警告
Make sure to install the antenna before power up the unit.
未安裝天線嚴禁開機。

OSD+FPV Video Transmitter
OSD+FPV 影像發射器
[HED00001]

Conductor Sleeve
雲台導電環座

PCU Power Control Unit
PCU 電源控制組
[HEBPCU01]
Optional Equipment
另購品

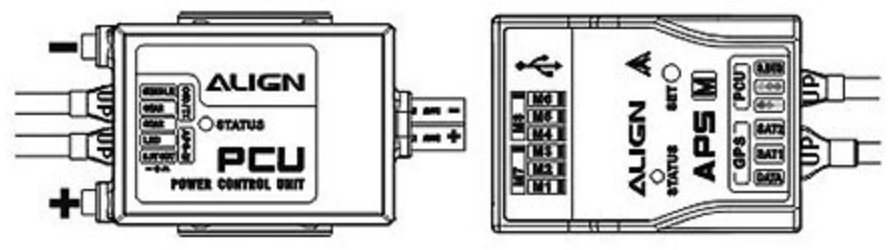
ALIGN
STATUS SET
APS M
GPS PCU
SAT1 SAT2
DATA

APS-M Multicopter Control Unit
APS-M 控制器組
[HEGAPS04]
Optional Equipment
另購品

WARNING
警告

Make sure to install the wires with "UP" imprint facing up, and ensure the plug is inserted deep enough so that "UP" imprint is aligned with the edge of the case. Improper plug insertion may lead to poor connection or even malfunction of the APS-M unit.

插線時，請務必將刻有UP字樣端口朝上，對準插座後，確實插入至UP符號切齊外殼邊緣，才是確實插入定位，不確實插入定位，將導致接觸不良、APS-M不動作問題產生！



FREQUENCY/32 CHANNEL LIST 32CH頻段表

FR	FR	CH							
		CH1	CH2	CH3	CH4	CH5	CH6	CH7	CH8
FR	FR1(A)	5865M	5845M	5825M	5805M	5785M	5765M	5745M	5725M
	FR2(B)	5733M	5752M	5771M	5790M	5809M	5828M	5847M	5866M
	FR3(C)	5705M	5685M	5665M	5645M	5885M	5905M	5925M	5945M
	FR4(D)	5740M	5760M	5780M	5800M	5820M	5840M	5860M	5860M