

SPEED FUSELAGE INSTRUCTION MANUAL 使用說明書

ALIGN

3D

Unlimited Racing

FOR **TREX 500E PRODFC**
TREX 500E PRO



Contents

1	INTRODUCTION 前言
1	DESIGN FEATURES 設計特點
2	STANDARD EQUIPMENT 標準配備
2	EQUIPMENT REQUIRED FOR ASSEMBLY 自備設備
3-9	ASSEMBLY SECTION 組裝步驟

Please read this manual carefully before assembling. We recommend that you keep this manual for future reference regarding tuning and maintenance.

進入遙控世界之前必須告訴您許多相關的知識與注意事項，以確保您能夠在學習的過程中較得心應手。在開始操作之前，請務必詳閱本說明書，相信一定能夠給您帶來相當大的幫助，也請您妥善保管這本說明書，以作為日後參考。

INTRODUCTION

前言

ALIGN

Thank you for buying ALIGN Products. Please read the manual carefully before assembling the model, and follow all precautions and recommendations located within the manual. Be sure to retain the manual for future reference, routine maintenance, and tuning.

感謝您選購亞拓產品，請您詳細的閱讀完這本說明書之後再進行組裝以及操作這台直昇機，同時請您妥善的保存這本說明書、作為日後進行調整以及維修的參考。

IMPORTANT NOTES 重要聲明

We recommend that you obtain the assistance of an experienced pilot before attempting to fly our products for the first time. A local expert is the best way to properly assemble, setup, and fly your model for the first time. This requires a certain degree of skill to operate, and is a consumer item. Any damage or dissatisfaction as a result of accidents or modifications are not covered by any warranty and cannot be returned for repair or replacement. Please contact our distributors for free technical consultation and parts at discounted rates when you experience problems during operation or maintenance. As Align Corporation Limited has no control over use, setup, final assembly, modification or misuse, no liability shall be assumed nor accepted for any resulting damage or injury. By the act of use, setup or assembly, the user accepts all resulting liability.

模型商品屬於需高操作技術且為消耗性之商品，如經拆裝使用後，會造成不等情況零件損耗，任何使用情況所造成商品不良或不滿意，將無法於保固條件內更換新品或退貨，如遇有使用操作維修問題，本公司全省分公司或代理商將提供技術指導、特價零件供應服務。對使用者的不當使用、設定、組裝、修改、或操作不良所造成的破損或傷害，本公司無法控制及負責。任何使用、設定、組裝、修改、或操作不良所造成的破損、意外或傷害，使用者應承擔全部責任。

CAUTION 注意

- Fly only in safe areas, away from other people. Do not operate R/C aircraft within the vicinity of homes or crowds of people. R/C aircraft are prone to accidents, failures, and crashes due to a variety of reasons including, lack of maintenance, pilot error, and radio interference. Pilots are responsible for their actions and damage or injury occurring during the operation or as a result of R/C aircraft models.
- Prior to every flight, carefully check rotorhead spindle shaft screws and tail blade grip screws, linkage balls and screws, ensure they are firmly secured.
- 遙控模型飛機、直昇機屬高危險性商品，飛行時務必遠離人群，人為組裝不當或機件損壞、電子控制設備不良，以及操控上的不熟悉，都有可能導致飛行失控損傷等不可預期的意外，請飛行者務必注意飛行安全，並需了解自負疏忽所造成任何意外之責任。
- 每趟飛行前須仔細檢查，主旋翼夾座橫軸螺絲、尾旋翼夾座螺絲，以及機身各部位球頭、螺絲，確實上膠鎖緊才能升空飛行。

DESIGN FEATURES

設計特點

ALIGN

Utilizing wrap-around aerodynamic design, the brand new 500E Speed Fuselage has an attention grabbing unique curve. Its tail section is wrapped with painted carbon fiber shell, resulting in superior visibility in mid-air, and further enhance the beauty of highly difficult maneuvers. The low aerodynamic drag enables high speed flights to be easily achievable. In addition, the ergonomic design simplifies installation; just a few simple steps with few screws to complete the install, easily outfitting your helicopter with a beautiful body.

採用包圍式流線型設計的全新500E 競速機殼，外型突出亮眼，尾部使用彩繪碳纖維機殼包圍，擁有絕佳的空中辨識度，能展現各種高難度飛行動作的力與美，低風阻設計更是能帶出高速飛行的快感。此外，人性化的簡易安裝設計，只要幾個步驟、幾顆螺絲就安裝完成，輕鬆為您的直昇機換上美麗的新裝。

STANDARD EQUIPMENT

標準配備

ALIGN

Competitive Speed Fuselage, suitable for T-REX 500E PRO DFC / T-REX 500E PRO helicopter series.

競速機殼，適用於T-REX 500E PRO DFC / T-REX 500E PRO 遙控直昇機系列。

Before Assembling:

1. Take inventory of all parts to ensure no missing pieces.
2. Some basic tools are needed to help with assembly.

組裝前準備事項：

1. 組裝之前請先確定內容物是否有缺失，仔細詳對後方可進行組裝。
2. 組裝過程裡需要一些簡單的工具協助組裝。

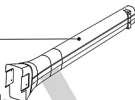
Competitive speed fuselage - Canopy

競速機殼機頭罩



Competitive speed fuselage Tail boom Cover

競速機殼尾管



500E Speed Fuselage
Main Blade Holder
500E 競速機殼主旋翼固定架



Socket screw
圓頭內六角螺絲
(M2.5x20mm) x2



Socket button head
screw
半圓頭內六角螺絲
(M2.5x6mm) x2

EQUIPMENT REQUIRED FOR ASSEMBLY

自備設備

ALIGN

1. T-REX 500E PRO DFC
2. T-REX 500E PRO

1. 無平衡翼系統直昇機 T-REX 500E PRO DFC
2. 有平衡翼系統直昇機 T-REX 500E PRO



Tool 自備工具



Hexagon Screw Driver
六角螺絲起子 2.5mm



Ball Link Plier
拔豆鉗

Blue
藍色



T43 Thread Lock
T43 螺絲膠

ASSEMBLY SECTION

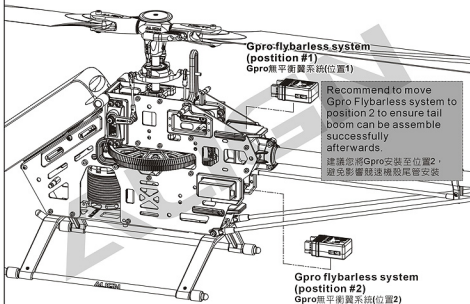
組裝步驟

ALIGN

STEP 1. 步驟 1

Before assemble speed fuselage, please relocate Gpro Flybarless system to position 2 to prevent interfere when flying.

若 T-REX 500E PRO DFC 直昇機的 Gpro 是安裝於位置 1，組裝高速機殼前，請先將原位置 1 的 Gpro 移到位置 2，避免干涉。



CAUTION
注意

1. Consult the following diagram for Gpro installation direction, with arrow pointing toward nose or tail of helicopter. Gpro needs to be mounted flat on gyro mounting platform, away from vibration sources.
 2. Two pieces of foam mounting tape can be used if helicopter experiences vibration induced flight instability. However, if this still doesn't cure the problem, please check the helicopter mechanics and minimize mechanical vibrations, or reduce the headspeed.
1. Gpro 擺放方向請參照圖示，方向指示箭頭指向機頭或機尾，水平擺放於陀螺儀固定座，並避開震動源。
2. 機體震動會影響陀螺儀檢測，造成飛行不穩定，可於 Gpro 下方貼附 2 片泡棉減震，若仍未改善，請檢查機體排除震動或降低主旋翼轉速。

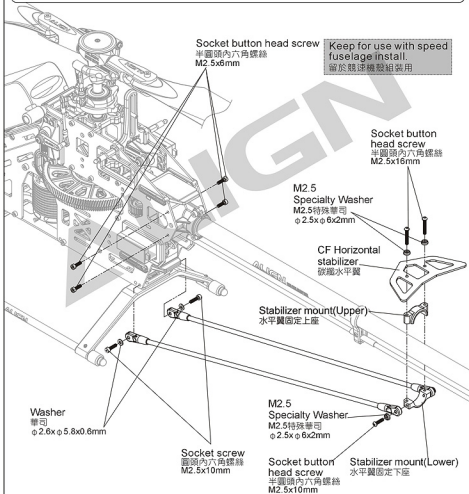
ASSEMBLY SECTION

組裝步驟

ALIGN

STEP 2. 步驟 2

1. Remove the M2.5x6mm socket screw from tail boom mount and keep M2.5x6mm socket screw for use with installation of speed fuselage.
 2. Remove the carbon fiber horizontal stabilizer, stabilizer mount, and tail boom brace set.
1. 將鎖在尾管固定座上的半圓頭內六角螺絲 M2.5x6mm 拆下，留於競速機殼組裝用。
2. 將碳纖維水平翼、水平翼固定座與尾支撐桿拆下。



ASSEMBLY SECTION

組裝步驟

ALIGN

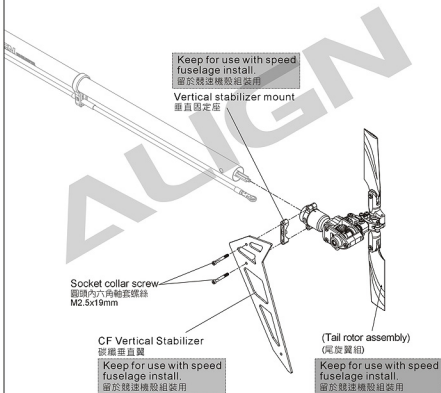
STEP 3. 步驟 3

1. Loosen the M2.5x19mm Socket collar screw; and remove the vertical stabilizer and stabilizer mount.

2. Remove the complete tail rotor assembly.

1. 請鬆開圓頭內六角軸套螺絲 M2.5x19mm 螺絲，將垂直翼跟垂直固定座拆下。

2. 將尾旋翼組整組拆下。



ASSEMBLY SECTION

組裝步驟

ALIGN

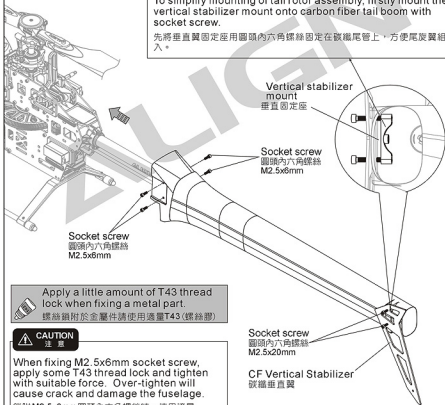
STEP 1. 步驟 1

1. Temporarily mount the carbon fiber vertical stabilizer and vertical stabilizer mount on the speed fuselage's tail boom cover by threading it with M2.5x20mm socket screw.
2. Slide the speed fuselage's tail boom cover onto the carbon fiber tail boom from the rear; secure with socket screws.

1. 先將碳纖垂直翼、垂直固定座用圓頭內六角螺絲 M2.5x20mm 穿過競速機殼尾管固定。
2. 將殼速機殼尾管由後方穿入套在碳纖尾管上，鎖上圓頭內六角螺絲。

To simplify mounting of tail rotor assembly, firstly mount the vertical stabilizer mount onto carbon fiber tail boom with socket screw.

先將垂直翼固定座用圓頭內六角螺絲固定在碳纖尾管上，方便尾旋翼組裝入。



Apply a little amount of T43 thread lock when fixing a metal part.

螺絲鎖附於金屬件請使用適量T43(螺絲膠)



CAUTION
注意

When fixing M2.5x6mm socket screw, apply some T43 thread lock and tighten with suitable force. Over-tighten will cause crack and damage the fuselage.

鎖附 M2.5x6mm 圓頭內六角螺絲時，使用適量 T43 以適當扭力固定，過度鎖入易造成機殼毀損破裂。

ASSEMBLY SECTION

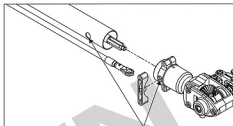
組裝步驟

ALIGN

STEP 2. 步驟 2

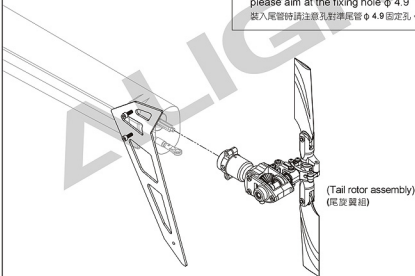
Re-install the tail rotor assembly into the tail boom; tighten the socket screws on vertical stabilizer.

將尾旋翼組裝回尾管，再將固定在垂直翼上的圓頭內六角螺絲鎖緊。



When assembling the tail rotor assembly, please aim at the fixing hole $\phi 4.9$

裝入尾管時請注意孔對準尾管 $\phi 4.9$ 固定孔。



(Tail rotor assembly)
(尾旋翼組)



Apply a little amount of T43 thread lock when fixing a metal part.

螺絲鎖附於金屬件請使用適量T43(螺絲膠)



CAUTION
注意

When fixing M2.5x20mm socket screw, apply some T43 thread lock and tighten with suitable force. Over-tighten will cause crack and damage the fuselage.

鎖附M2.5x20mm圓頭內六角螺絲時，使用適量T43以適當扭力固定，過度鎖入易造成機殼毀損破裂。

ASSEMBLY SECTION

組裝步驟

ALIGN

STEP 3. 步驟 3

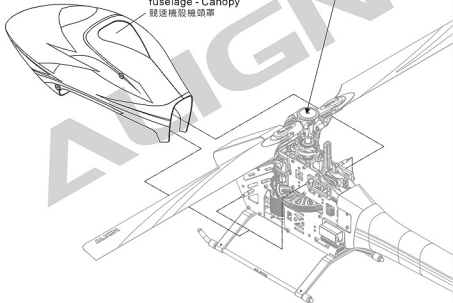
Ensure the correct installation of speed fuselage tail boom cover, then install the speed fuselage canopy from front of the helicopter. Mount the canopy over the canopy mounting bolt.

確認競速尾管組裝無誤，再將競速機殼機頭罩由機身前面裝入，扣入機頭罩固定柱。

To simplify install or removal of canopy, rotate the main rotor head by 90 degrees to minimize stretching of the canopy.

裝上或拆下機殼前，先將主旋翼頭組旋轉90度可降低機殼擴張的弧度，更輕易組裝。

Competitive speed fuselage - Canopy
競速機殼機頭罩



ASSEMBLY SECTION

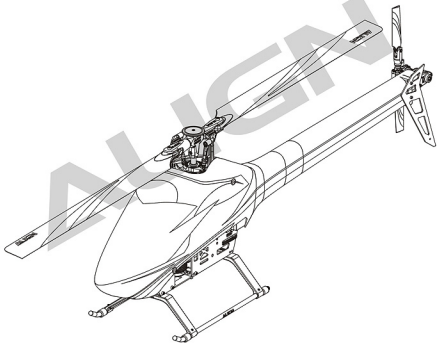
組裝步驟

ALIGN

COMPLETE ILLUSTRATION 組裝完成圖

Before flying, please carefully check every part again to make sure all parts are firmly secured without any interference.

請再詳細檢查各部位是否確實鎖緊與固定，並確定無干涉情形後才可以飛行。



www.align.com
www.align.com
www.align.com.tw
www.align.com.tw
www.align.com.tw

ALIGN

