

## Assembling Illustration

**For using an engine temperature controller:  
Please first remove the ratchet spring and  
then install the needle control arm.**

當搭配引擎溫度控制器時，組裝引擎油針伺服臂，請先將彈簧片移除。

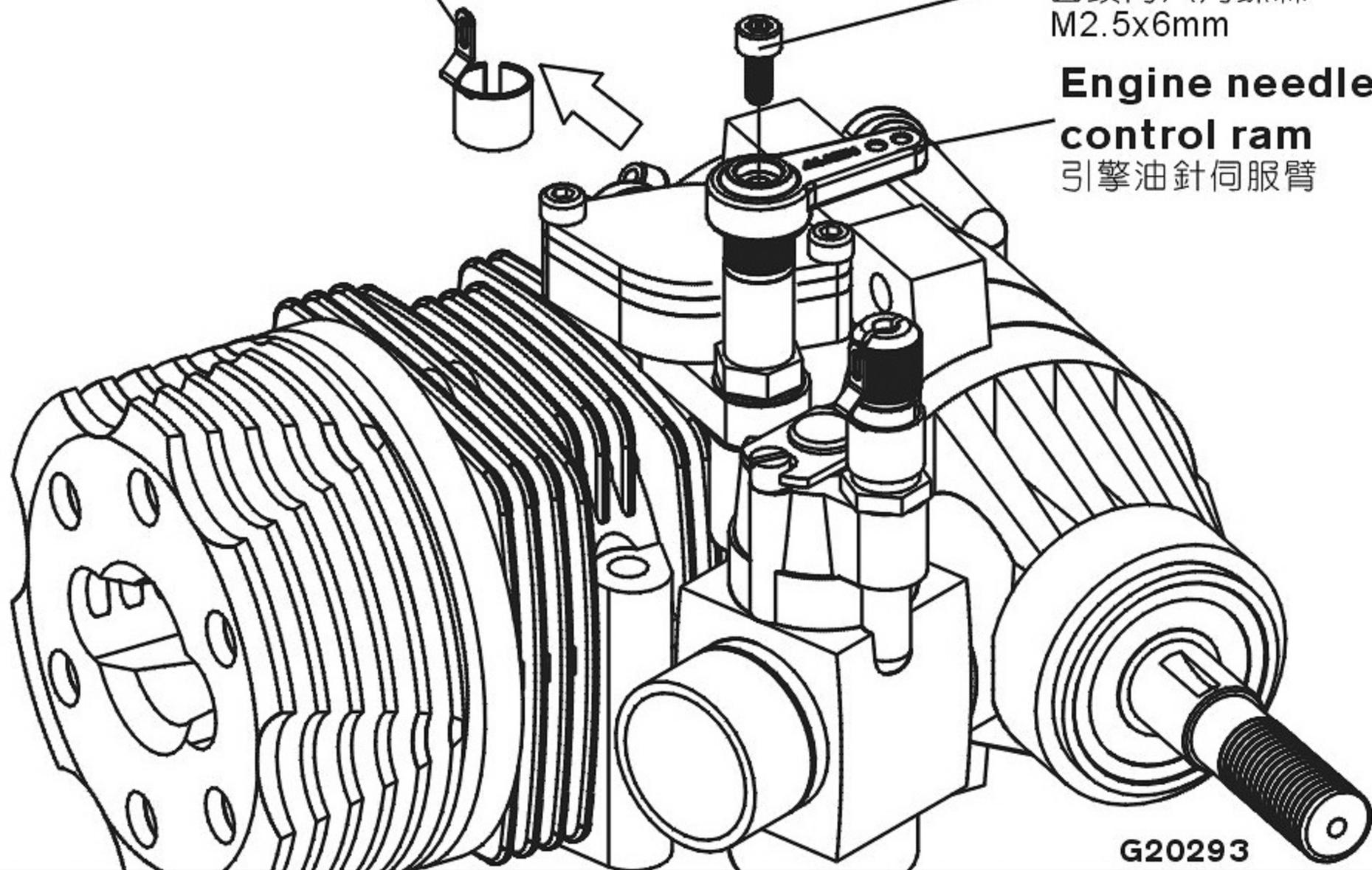
**Socket screw**

圓頭內六角螺絲

M2.5x6mm

**Engine needle  
control ram**

引擎油針伺服臂



G20293